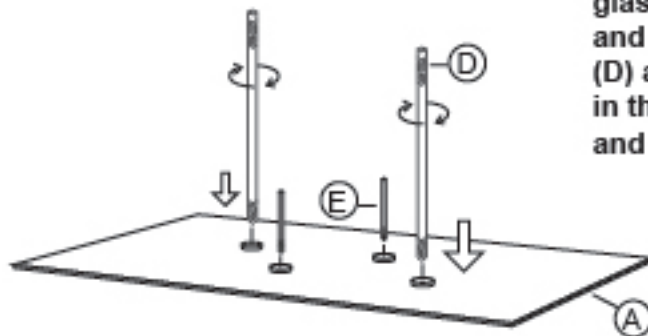


ASSEMBLY INSTRUCTION

Description: dining table

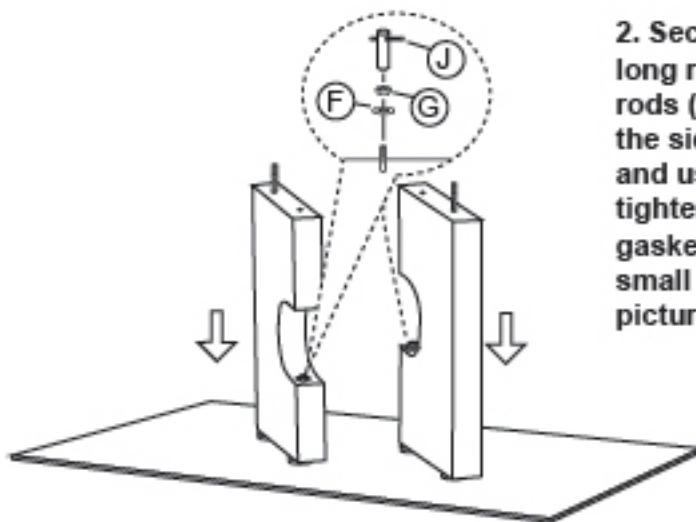
Thank you for purchasing this quality product .Be sure to check all the packing material carefully for small parts that may have come loose inside the carton during shipment .

step 1:



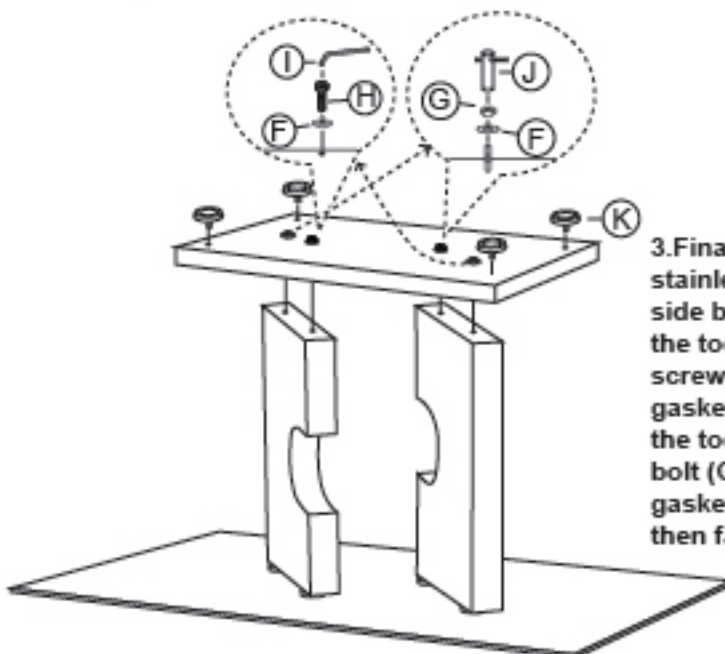
1.Firstly , Put the top glass (A) as picture and fix the long rods (D) and short rods (E) in the metal connector and fasten them well.

step 2:



2. Secondly , make the long rods (D) and short rods (E) pass through the side boards (C) and use the tooling (J) tighten the metal gaskets (F) and the small bolts (G) as picture .

step 3:



3.Finally ,Put the stainless base (B) on the side board (C) and use the tooling (I) tighten screw (H) and metal gasket (F) meantime use the tooling (J) fasten the bolt (G) and metal gasket (F) as picture then fasten the feet (K) .

PART LIST:

NO.	Description	Diagram	Quantity
A	Top glass		1
B	Stainless Base		1
C	Side board		2

HARDWARE LIST:

NO.	Description	Diagram	Size	Quantity
D	Long Rod		M10x720mm	2
E	short Rod		M10x245mm	2
F	Metal gasket		M10mm	6
G	Bolt		M10mm	4
H	screw		φ 6x40mm	2
I	allen key		M5 mm	1
J	hexagon spanner		M10mm	1
K	Feet		M8 mm	4

step 4:

Finished

