

seville classics®
HOME

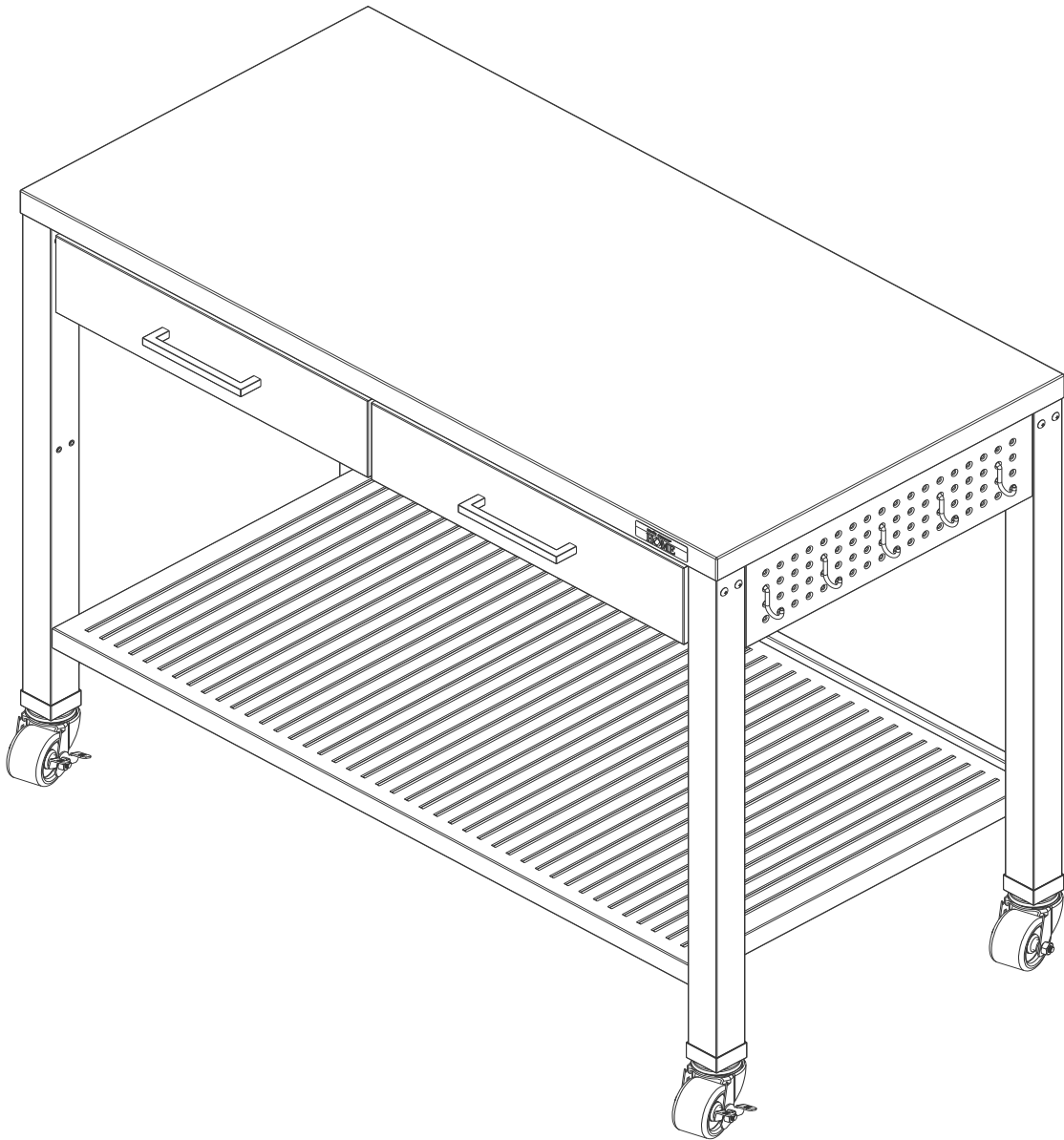
ASSEMBLY INSTRUCTIONS
Workcenter Island (Model No. UHD20109)

(48" W X 24" D X 37.5" H)
(1.21 m x 60.9 cm x 95.2 cm)

ULTRAGUARD®

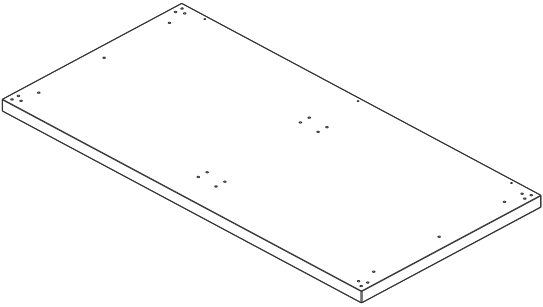
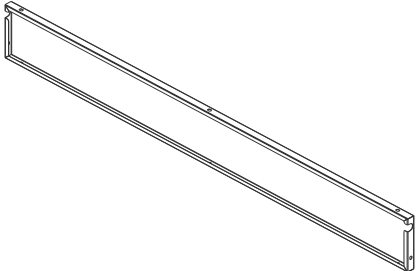
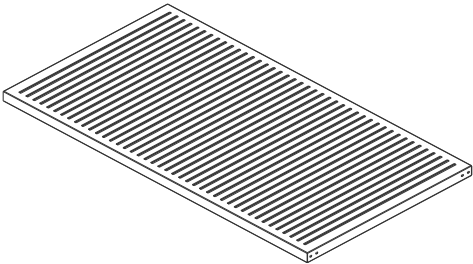
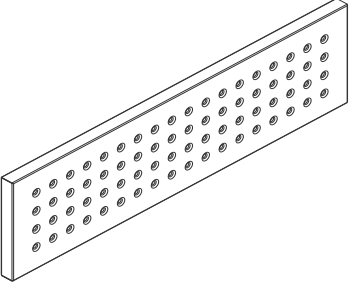
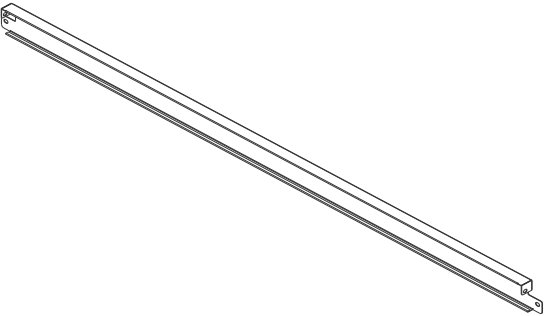
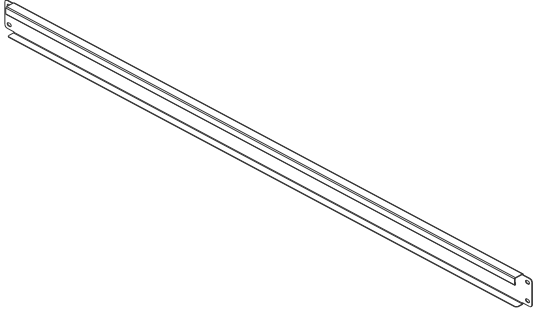
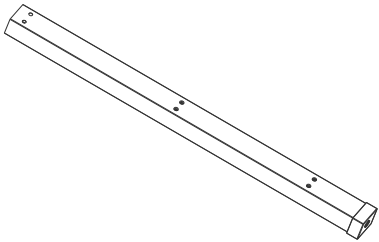
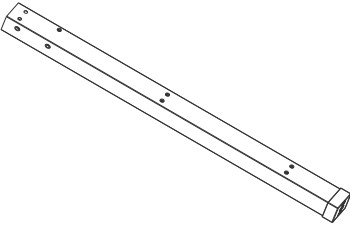
FINGERPRINT RESISTANT SURFACES
AND INCREASED DURABILITY

Reference page 11 for special care and
maintenance of stainless steel



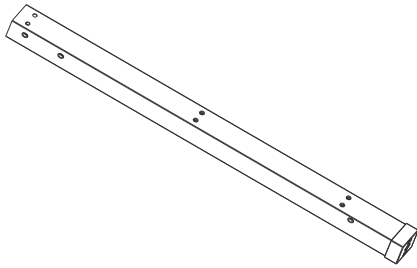
PARTS LIST

Please check the parts carefully according to the parts list. If you are missing any parts, please contact our customer service department. (Please refer to page 12 of 12.)

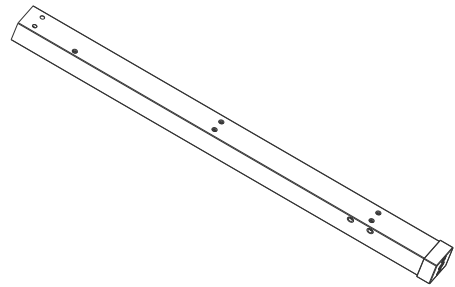
	
(#1) SOLID HARDWOOD BOARD TOP X 1 PC	(#2) BACK PANEL X 1 PC
	
(#3) BOTTOM SHELF X 1 PC	(#4) SIDE PEGBOARD PANEL X 2 PCS
	
(#5) FRONT-BOTTOM CROSSBAR X 1 PC	(#6) BACK-BOTTOM CROSSBAR X 1 PC
	
(#7) LEFT-FRONT LEG X 1 PC	(#8) LEFT-BACK LEG X 1 PC

PARTS LIST

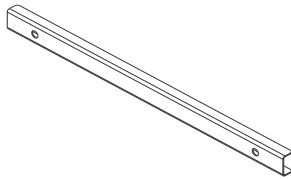
Please check the parts carefully according to the parts list. If you are missing any parts, please contact our customer service department. (Please refer to page 12 of 12.)



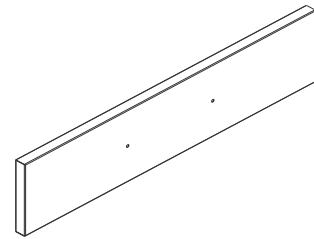
(#9) RIGHT-FRONT LEG X 1 PC



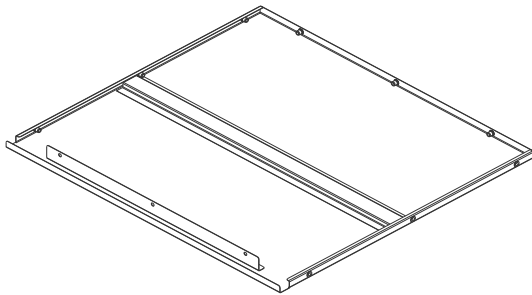
(#10) RIGHT-BACK LEG X 1 PC



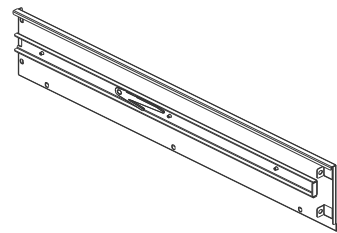
(#14) DRAWER HANDLE BRACKET X 2 PCS



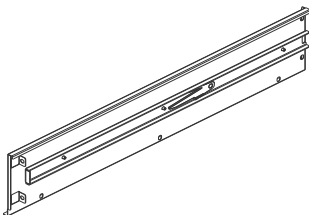
(#20-1) SMALL DRAWER FRONT PANEL X 2 PCS



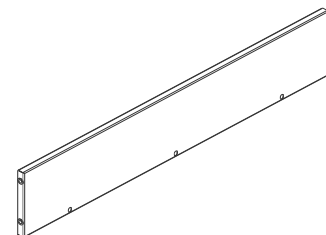
(#19-2) DRAWER BASE PANEL X 2 PCS



(#20-3) SMALL DRAWER LEFT PANEL X 2 PCS



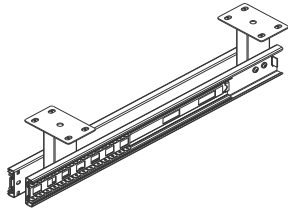
(#20-4) SMALL DRAWER RIGHT PANEL X 2 PCS



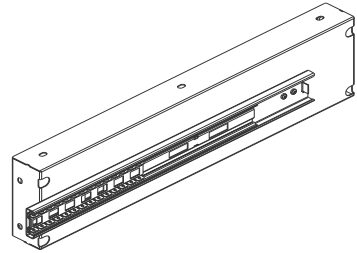
(#20-5) SMALL DRAWER BACK PANEL X 2 PCS

PARTS LIST

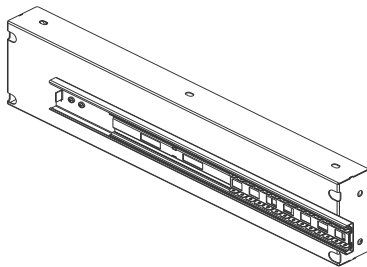
Please check the parts carefully according to the parts list. If you are missing any parts, please contact our customer service department. (Please refer to page 12 of 12.)



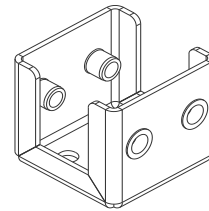
(#48-1) SMALL DRAWER MIDDLE SUPPORT X 1 PC



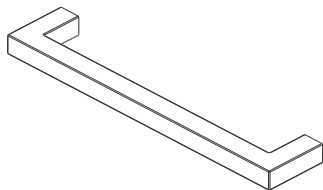
(#48-2) SMALL DRAWER LEFT SUPPORT X 1 PC



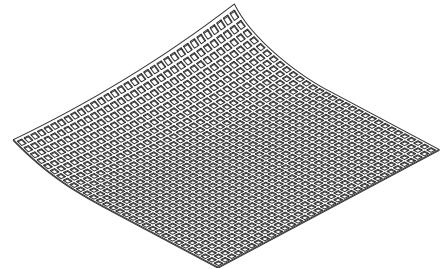
(#48-3) SMALL DRAWER RIGHT SUPPORT X 1 PC



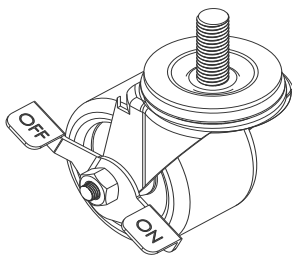
(#47) "U" BRACKET X 4 PCS



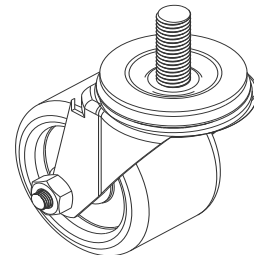
(#67) HANDLE X 2 PCS



(#18) DRAWER MAT X 2 PCS



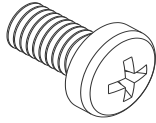
(#11) 3"X2" CASTER WITH BRAKE X 2 PCS



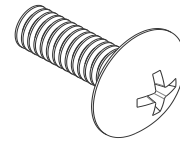
(#13) 3"X2" CASTER W/O BRAKE x 2 PCS

PARTS LIST

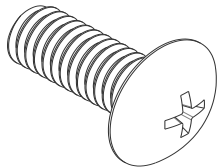
Please check the parts carefully according to the parts list. If you are missing any parts, please contact our customer service department. (Please refer to page 12 of 12.)



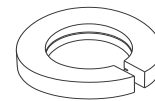
(#15) SCREW B (M4 x 8L) X 40 PCS



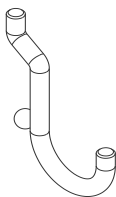
(#61) SCREW O (M4 x 12L) x 25 PCS



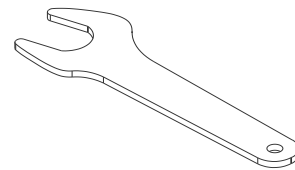
(#50) SCREW I (M6 x 15L) X 56 PCS



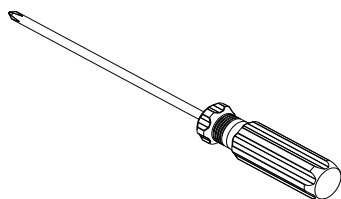
(#59) M6 LOCK WASHER X 34 PCS



(#101) 1" HOOK X 10 PCS



(#25) WRENCH X 1 PC

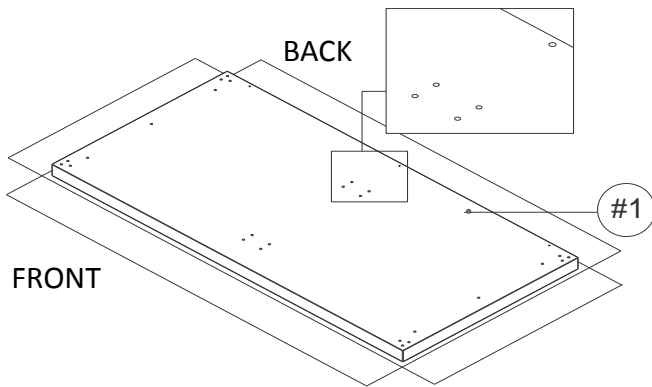


(#21) SCREW DRIVER x 1 PC

Workcenter Island (Model No. UHD20109)



NOTE: We recommend TWO people to assemble the workcenter.



↑BACK
Solid Hardwood Board Top (#1)

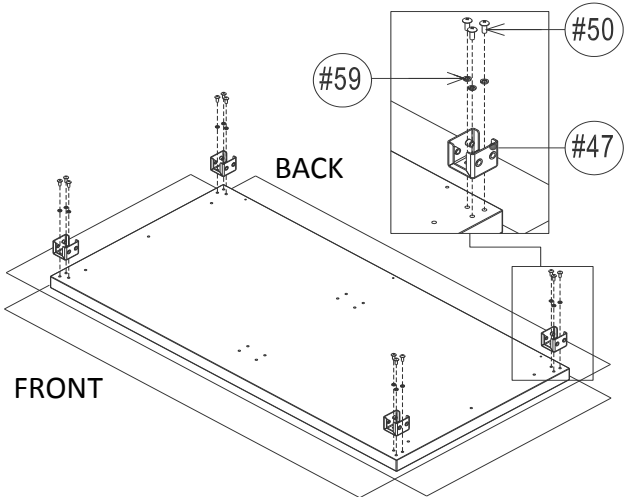
Tip: There are stickers on each part, please refer to the direction of the arrow indicated by the part stickers when assembling.

Open the package and take out (#1) Solid Hardwood Board Top. Place with backside facing up.

Step 1:

Install (#47) "U" Bracket

Attach (#47) "U" Bracket to each corner of the (#1) Solid Hardwood Board Top, line up the screw holes, use 12pcs (#50) Screw I (M6X15L) and 12pcs (#59) M6 Lock Washer to tighten.

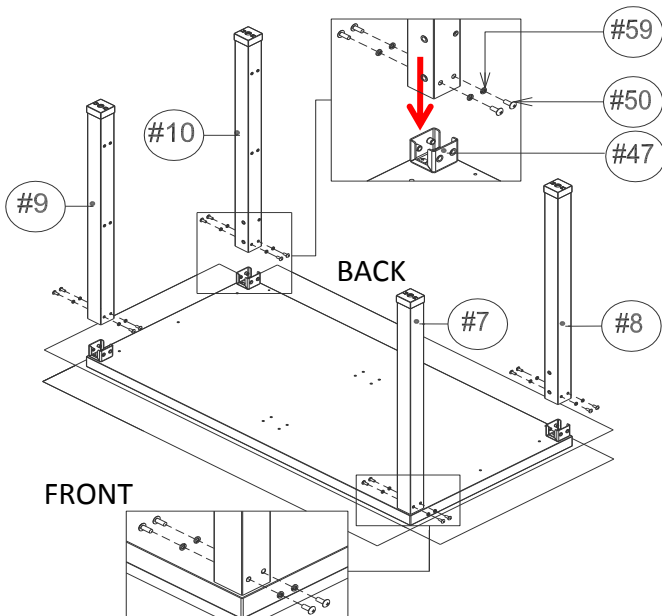


Step 2:

Install (#7) Left-Front Leg, (#8) Left-Back Leg, (#9) Right-Front Leg, (#10) Right-Back Leg

According to the instructions indicated on sticker, attach all 4 Legs (#'s indicated above) to (#47) "U" Bracket, use 16pcs (#50) Screw I (M6X15L) and 16pcs (#59) M6 Lock Washer to tighten.

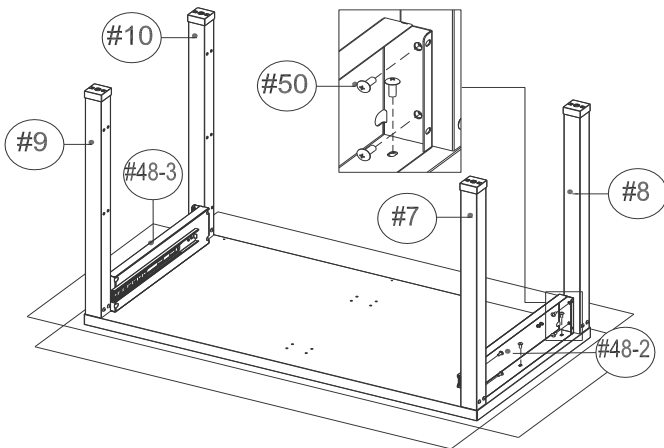
Note: Do not fully tighten the screws.



Workcenter Island (Model No. UHD20109)



NOTE: We recommend TWO people to assemble the workcenter.

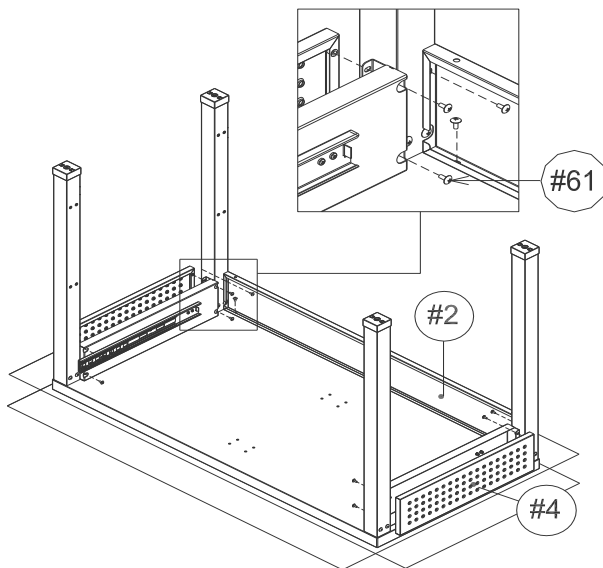


Step 3: Install (#48-2) Small Drawer Left Support and (#48-3) Small Drawer Right Support

As shown in the picture, attach (#48-2) Small Drawer Left Support between (#7) Left-Front Leg and (#8) Left-Back Leg, use 7pcs (#50) Screw I (M6X15L) to tighten.

Attach (#48-3) Small Drawer Right Support between (#9) Right-Front Leg and (#10) Right-Back Leg, use 7pcs (#50) Screw I (M6X15L) to tighten.

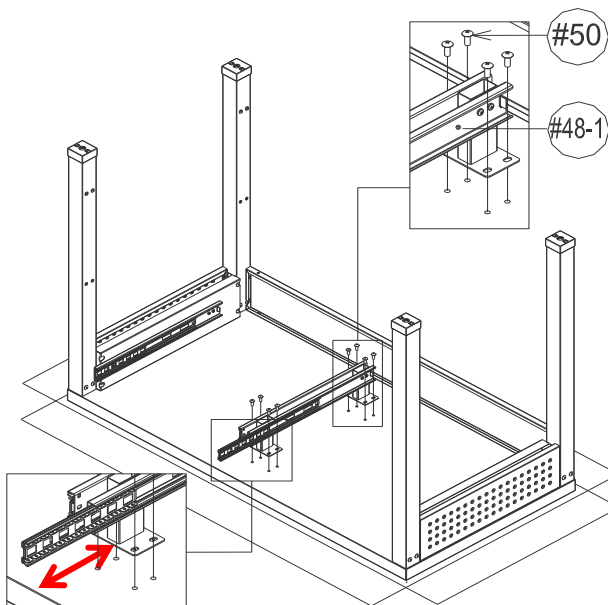
Note: Tighten all the screws in this step.



Step 4: Install (#4) Side Pegboard Panel and (#2) Back Panel

1). Attach 2pcs (#4) Side Pegboard Panel between Front Leg and Back Leg, use 8pcs (#61) Screw O (M4 x 12L) to tighten on Small Drawer Left Support and Small Drawer Right Support.

2). Attach (#2) Back Panel between 2pcs Back Leg, use 5pcs (#61) Screw O (M4 x 12L) to tighten.



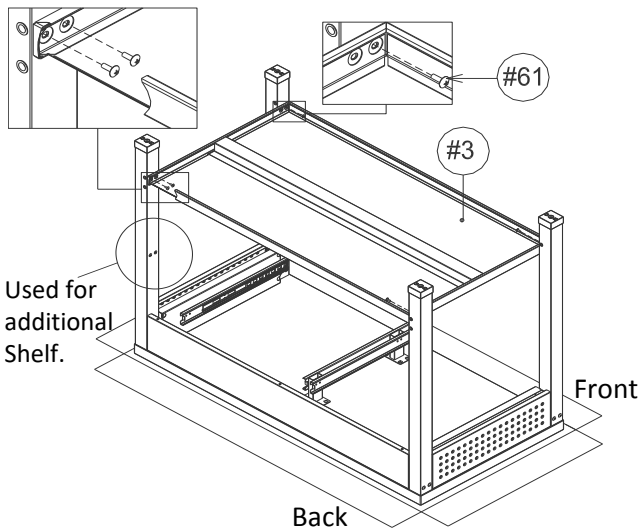
Step 5: Install (#48-1) Small Drawer Middle Support

Attach (#48-1) Small Drawer Middle Support to (#1) Solid Hardwood Board Top according to the Sticker Instructions, use 8pcs (#50) Screw I (M6X15L) to tighten.

Workcenter Island (Model No. UHD20109)



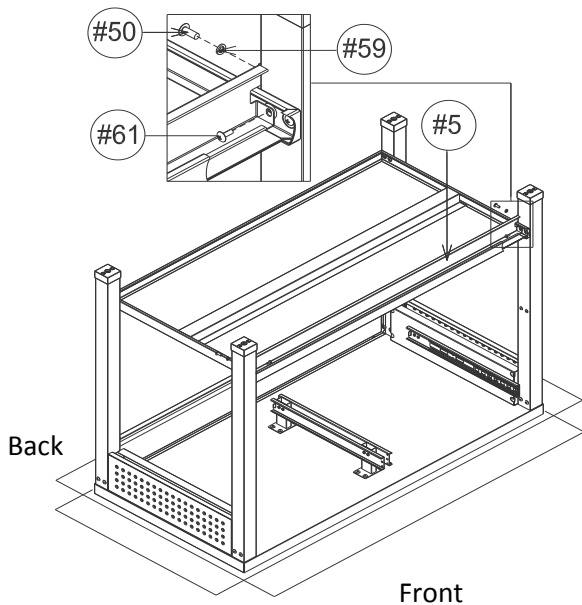
NOTE: We recommend TWO people to assemble the workcenter.



Step 6: Install (#3) Bottom Shelf

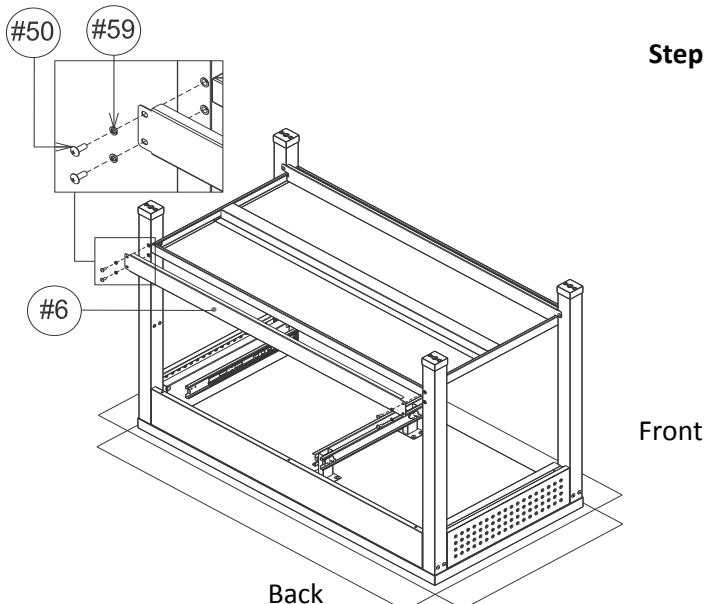
As shown in the picture, attach (#3) Bottom Shelf to 4 Legs, line up the screw holes, use 6pcs (#61) Screw O (M4 x 12L) to tighten, 2pcs for two Front Legs, 4pcs for two Back Legs.

- Note:**
1. Please use TWO people for Bottom Shelf Installation
 2. Do not fully tighten the screws.
 3. Additional Bottom Shelf (#3) may be purchased separately at SevilleClassics.com, Model#: UHD20109S, to install at Pre-Drilled screw holes on each leg indicated in the image, by simply removing those pre-installed screws.



Step 7: Install (#5) Front-Bottom Crossbar

As shown in the picture, attach (#5) Front-Bottom Crossbar on the back side of two Front Legs, line up the screw holes, use 2pcs (#50) Screw I (M6X15L) and 2pcs (#59) M6 Lock Washer to tighten. Use 2pcs (#61) Screw O (M4X12L) tighten on the inner side of two Front Legs, then tighten all screws including those in Step 6 at the same time.



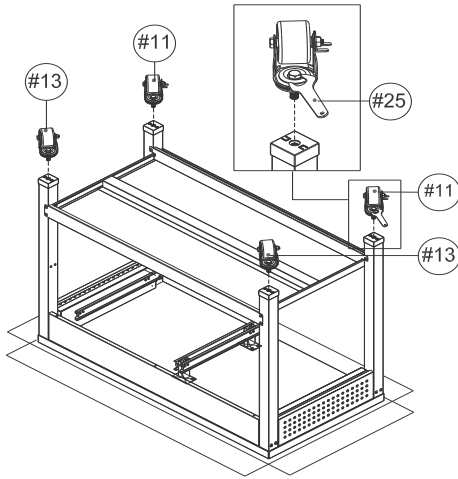
Step 8: Install (#6) Back-Bottom Crossbar

Attach (#6) Back-Bottom Crossbar to Back Legs, line up the screw holes, use 4pcs (#50) Screw I (M6X15L) and 4pcs (#59) M6 Lock Washer to tighten.

Workcenter Island (Model No. UHD20109)



NOTE: We recommend TWO people to assemble the workcenter.



Step 9: Install Wheels (#11 and #13)

Attach 2pcs (#11) 3"X2" Caster With Brake to two front legs, 2pcs (#13) 3"X2" Caster W/O Brake to two back legs, use (#25) Wrench to tighten them.

Optional Leveling feet may also be purchased at www.sevilleclassics.com. Model#: WEB086

Step 10: Install (#20) Small Drawers

1). Install (#20-1) Small Drawer Front Panel, (#20-3) Small Drawer Left Panel, (#20-4) Small Drawer Right Panel

According to the Sticker Instructions, line up the screw holes, then attach (#20-3) Small Drawer Left Panel, (#20-4) Small Drawer Right Panel to (#20-1) Small Drawer Front Panel, use 4pcs (#15) Screw B (M4 x 8L) to tighten.

Note: In order to adjust when assembling, please don't tighten all screws completely at the beginning, each screw will be tightened after the debugging is completed.

2). Install (#19-2) Drawer Base Panel

Take out (#19-2) Drawer Base Panel, according to the Sticker Instructions, line up the screw holes, attach (#19-2) Drawer Base Panel to (#20-3) Small Drawer Left Panel, (#20-4) Small Drawer Right Panel and (#20-1) Small Drawer Front Panel, use 9pcs (#15) Screw B (M4 x 8L) to tighten.

3). Install (#20-5) Small Drawer Back Panel

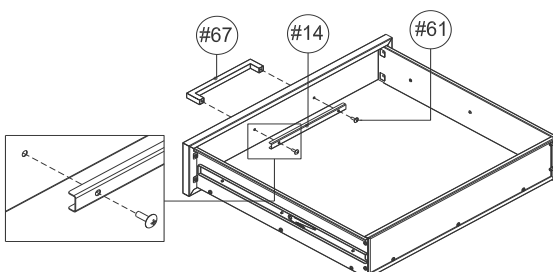
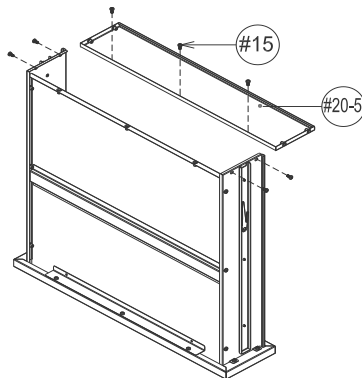
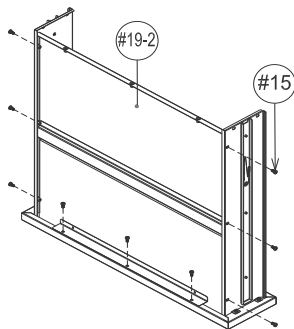
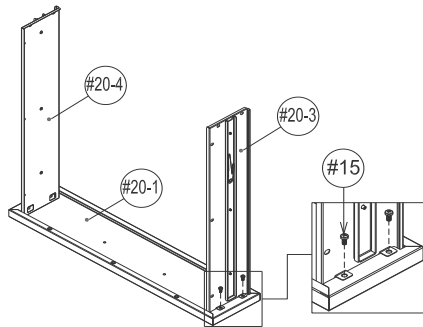
Take out (#20-5) Small Drawer Back Panel, line up the screw holes, attach (#20-5) Small Drawer Back Panel to (#19-2) Drawer Base Panel and (#20-3) Small Drawer Left Panel, (#20-4) Small Drawer Right Panel, use 7pcs (#15) Screw B (M4 x 8L) to tighten.

Note: Tighten all screws after adjusting the drawer on same level.

4). Install (#67) Handle and (#14) Drawer Handle Bracket

As shown in the picture, assemble (#67) Handle and (#14) Drawer Handle Bracket, line up the screw holes, use 2pcs (#61) Screw O (M4 x 12L) to tighten.

Repeat the above steps to assemble the other drawer.



Workcenter Island (Model No. UHD20109)



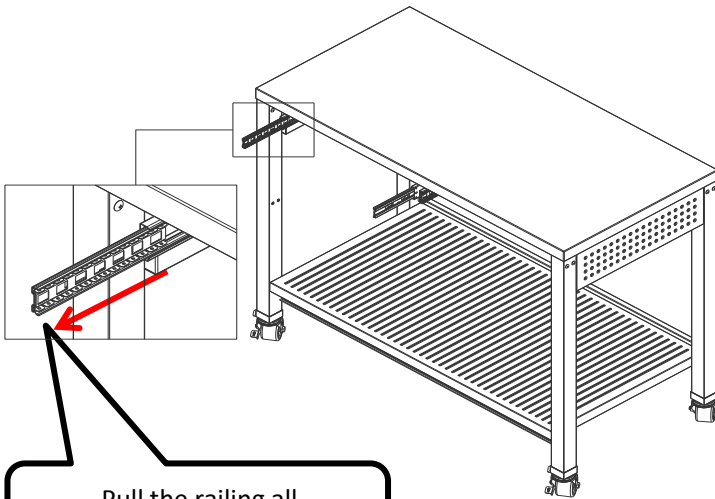
NOTE: We recommend TWO people to assemble the workcenter.



Step 11: Install (#20) Small Drawers into Workcenter

1). Pull out the side rails of the drawer bracket, all the way to the front.

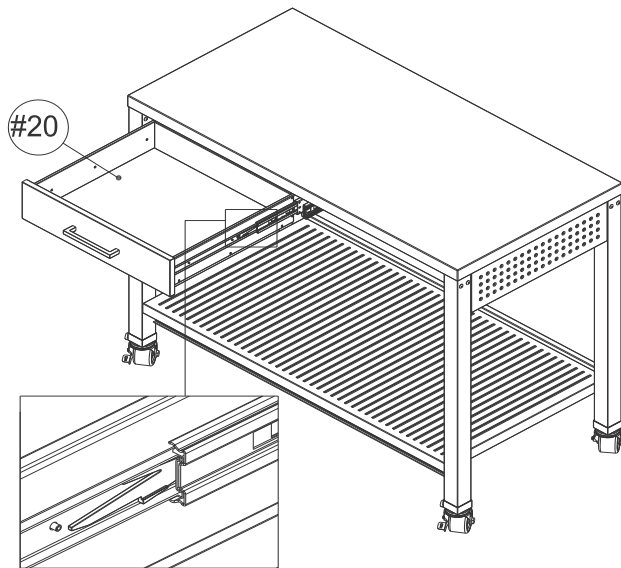
Note: After pulling out each rail, make sure all the ball bearings of the rail are visible and pointing completely outward to the front.



Pull the railing all the way out.

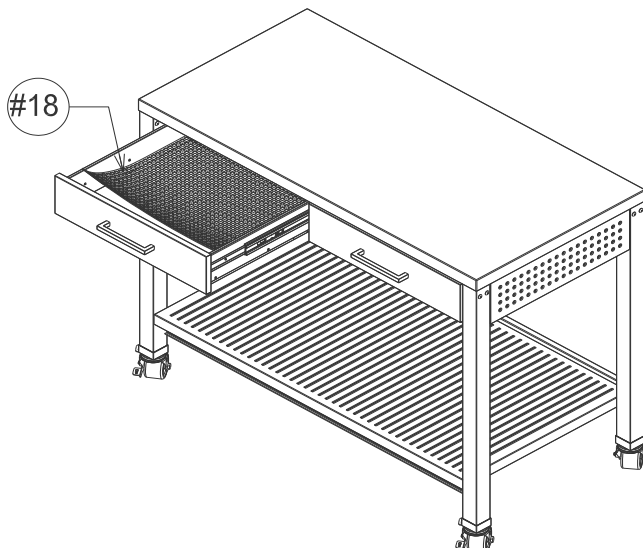
2). Line up the inner rails on both the Small Drawer Left Panel and Right Panel to the fully assembled drawer, drag drawer with both hands and push the drawer slowly at the same time to lock in place.

Repeat Step 11 for second drawer Installation.



Step 12: Place Drawer Mat (#18) into Drawers

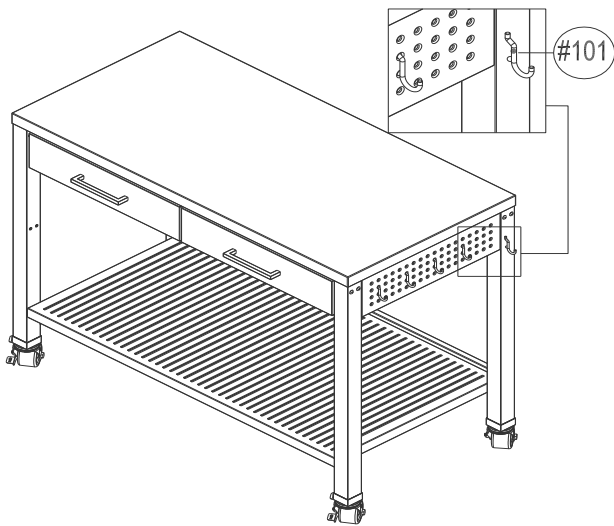
Pull out (#20) Small Drawers, place mat (#18) in each drawer.



Workcenter Island (Model No. UHD20109)



NOTE: We recommend TWO people to assemble the workcenter.



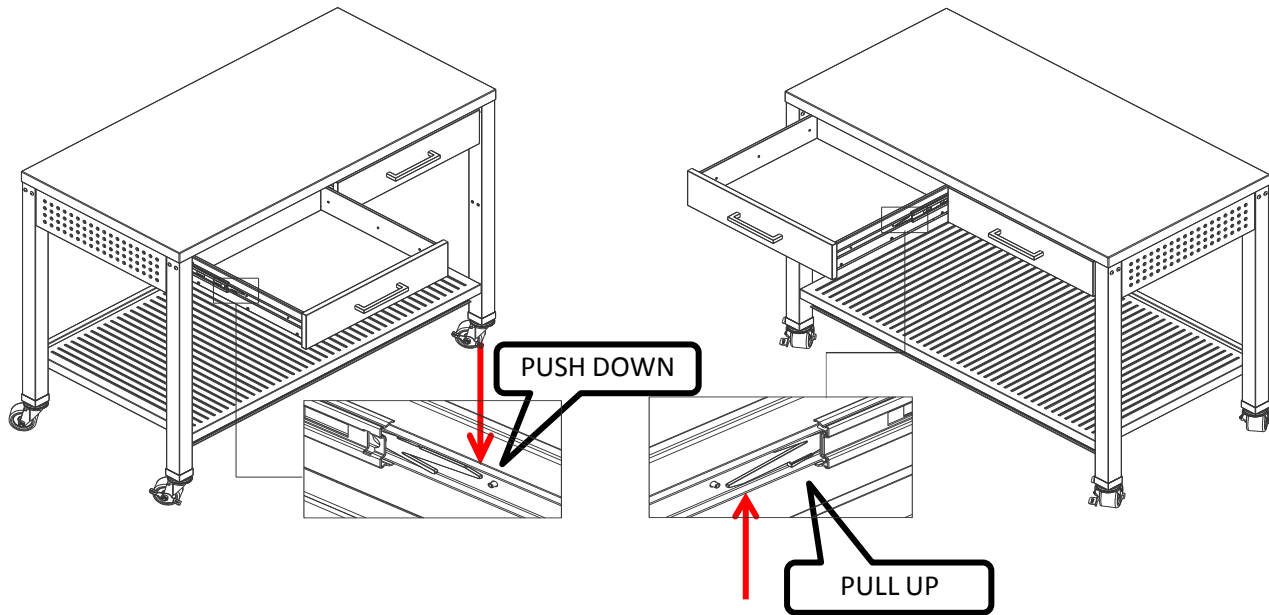
Step 13: Install (#101) 1" Hook

As shown in the picture, hang (#101) 1" Hook on holes to both sides of the Side Pegboard Panels.

Assembly is Complete

How to pull drawer out of the unit?

To pull drawers out of the unit, simply pull the black plastic clip on the right side of the drawer up, then push on the black plastic clip on the left side of the drawer down. Now you can pull the drawer out.



Stainless Steel Maintenance:

These parts have UltraGuard fingerprint resistant finish. Do not use traditional stainless steel cleaners on this unit. Lightly wipe off once a month with clean warm water and a soft cloth (preferably a microfiber cloth). This is the safest formula to prevent new stains from appearing over time and manage unwanted fingerprints or grease marks. Remember to always wipe in the direction of the surface grain (NEVER ACROSS) and always use a lint-free cloth (such as a microfiber cloth). Once the surface is clean, thoroughly wipe dry with a soft absorbent cloth.

Solid Wood Top

Although great care is taken to hand selecting a consistent wood top color and grain for our products, there can and will be natural imperfections in color, grain pattern, and finish between these products. This is what is known as Natural Imperfections, like any natural materials these imperfections are expected and add to the "Uniqueness" of every product. The material of this workcenter is considered as standard quality. Variations in color within these standards along with imperfections such as, but not limited to; minor scratches, bevels, blemishes and scratches within the clear coat finish will not be a reason for replacement. If the wood top is received with excessive damage (any cracks or splitting), Please contact Seville Classics Customer Service to file a Warranty Claim.

Restore Shallow Scratches or Chips

If the wood top becomes scratched and chipped over time or during assembly, a Polyurethane finish can be applied to help restore the wood's natural texture, as well as protect the surface from future damage.

Applying a Polyurethane Coating

Please follow the manufacturer's instruction on the product for application.

CONTACT INFORMATION

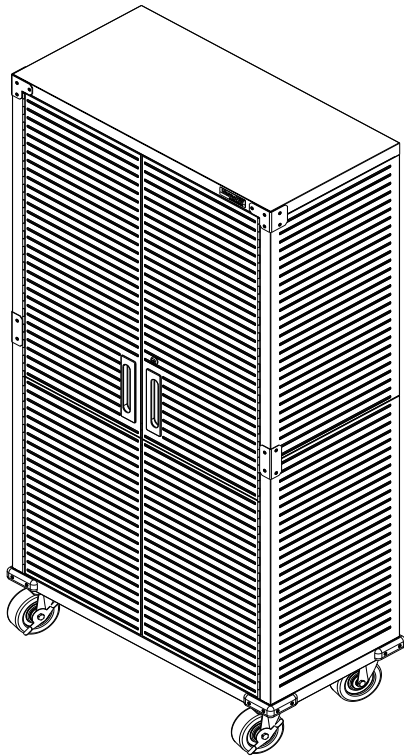
If you are missing any parts, have any questions, or need additional assistance in assembly, please contact our bilingual (English and Spanish) customer service department at:



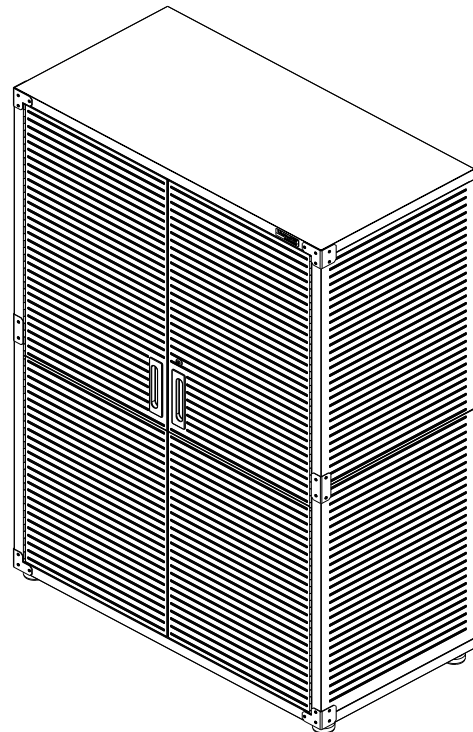
Seville Classics, Inc.
19401 Harborgate Way Torrance, CA 90501 USA
Telephone: (800) 323-5565 within USA
Fax: (310) 533-3899
Hours: 9:00am - 4:30pm (Pacific Standard Time)
E-mail: support@sevilleclassics.com
Website & Online Store: www.sevilleclassics.com

*****Please visit our website or call and inquire about our additional UltraHD Line*****

UltraHD® Line

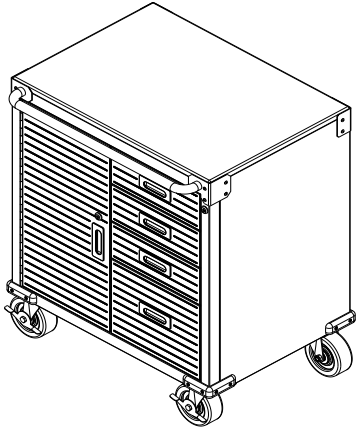


UltraHD® Tall Storage Cabinet
Model No. 16236 (Granite)
Model No. 20143 (Graphite)
Model No. 20153 (Red)
Model No. 20133 (White)

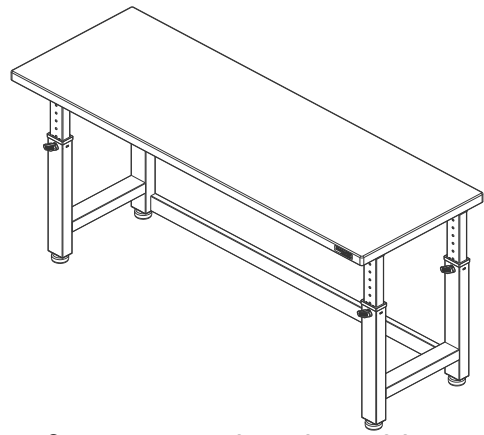


UltraHD® Mega Storage Cabinet
Model No. 16238 (Granite)
Model No. 20148 (Graphite)
Model No. 20158 (Red)

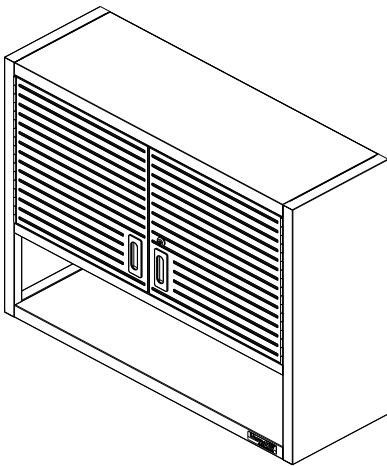
UltraHD® Line



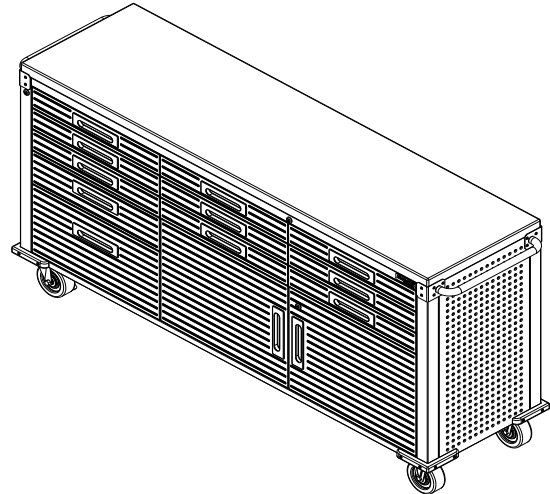
UltraHD® 4-Drawer Rolling Cabinet
Model No. 20205 (Granite)



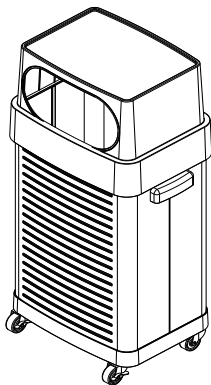
UltraHD® 6-Foot Height Adjustable Workbench
Model No. 20292 (Granite)
Model No. 20293 (Graphite)



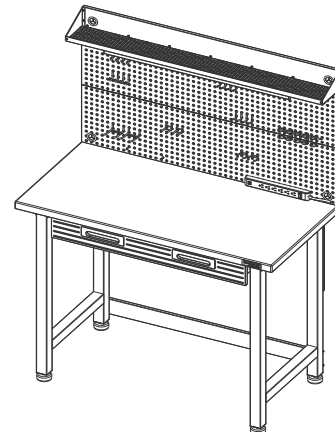
UltraHD® Wall Cabinet with Open Shelf
Model No. 20230 (Granite)
Model No. 20140 (Graphite)
Model No. 20150 (Red)



UltraHD® 2-Door Rolling Workbench
Model No. 20262 (Granite)
Model No. 20142 (Graphite)
Model No. 20152 (Red)



UltraHD® Rolling Trash Bin
Model No. 20215



UltraHD® Lighted Workcenter
Model No. 20247 (Granite)
Model No. 20246 (Graphite)
Model No. 20157 (Red)