



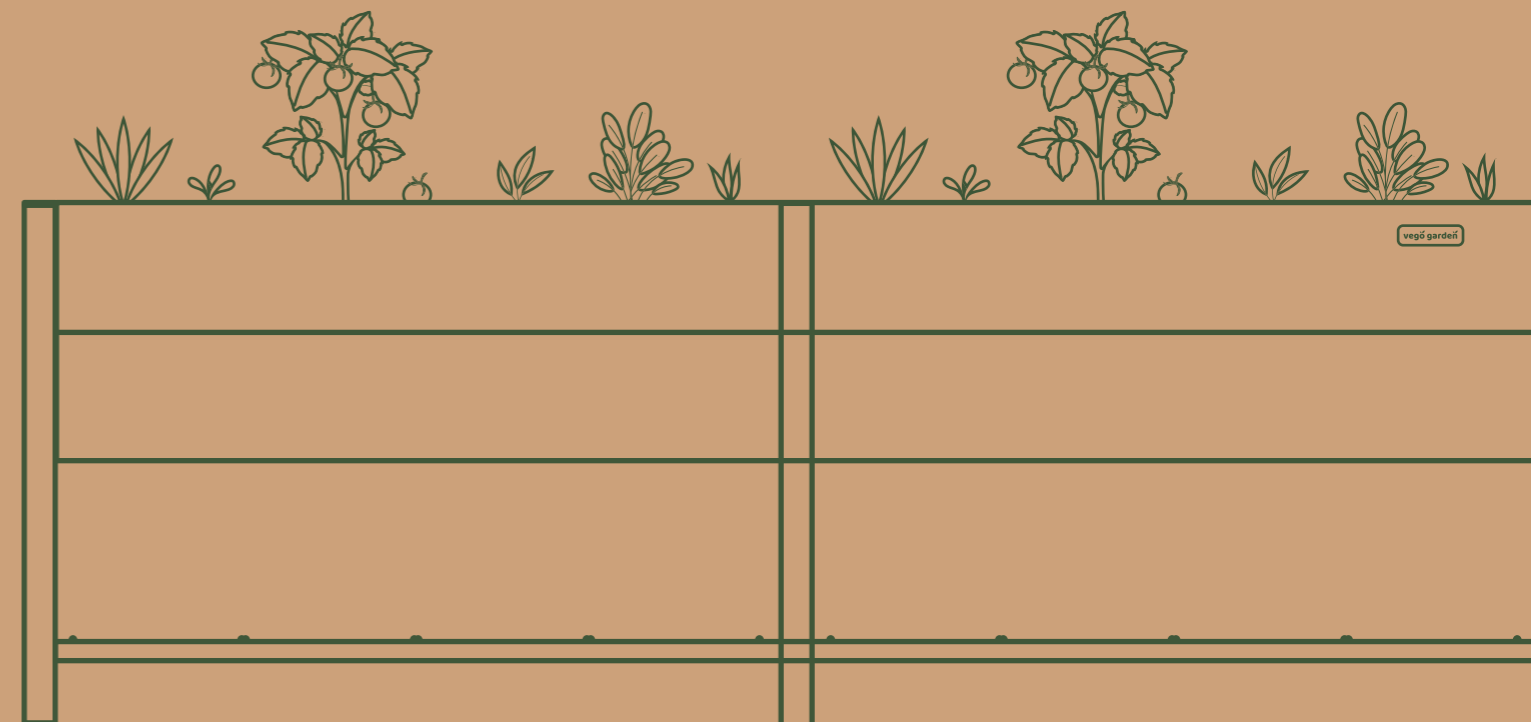
Woodgrain Elevated Garden Bed 2ft x 8ft

Gardening Made Easier. Anytime, Anywhere.


Copyright © 2025 Vego




**Gardening
Made Easier.
Anytime,
Anywhere.**



Contact Us

 +1 (866) 597-1888

 Vego Garden Academy

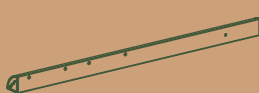

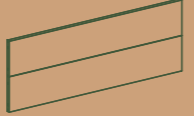

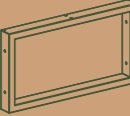
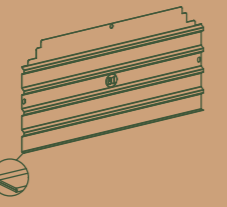
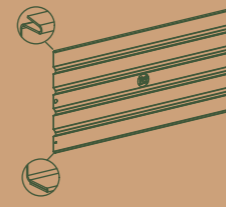
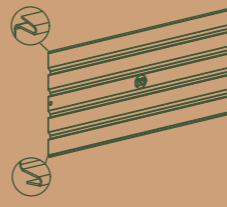
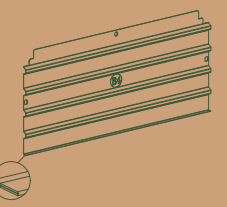
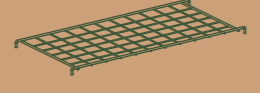






 hello@vegogarden.com





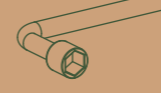
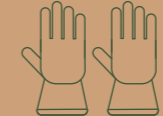
 vegogarden.com

 vego_garden

 Houston, TX



Parts List

			
P1 Qty: 4	P2 Qty: 2	P3 Qty: 4	P4 Qty: 2
			
P5 Qty: 1	B1 Qty: 2	B2 Qty: 2	B3 Qty: 2
			
B4 Qty: 2	B5 Qty: 8	H1 Qty: 2	H5 Qty: 2
			
H6 Qty: 2	F1 M6x30 Qty: 48	F2 M6x16 Qty: 12	F3 M6x8 Qty: 20

			
F4 M6x35 Qty: 4	Z1 Qty: 12	Aluminum Logo Qty: 1	T1 Qty: 1
			
T2 Qty: 1	Gloves Qty: 1		

Tips

- Additional tools are needed to complete this assembly, see below:

	
Tape Measure	Rubber Mallet

- During assembly, we recommend placing the empty box flat on the ground to serve as a protective mat.

Safety Precautions

This product may contain sharp metal corners and edges. To prevent injury:

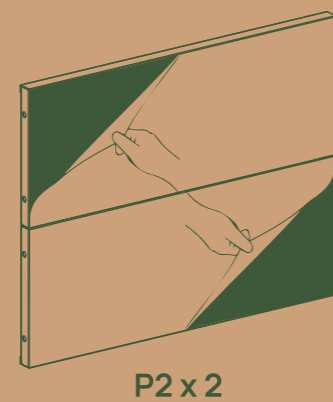
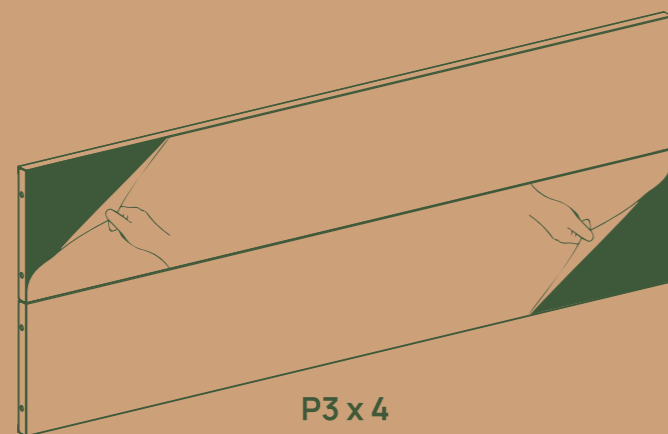
- Handle with care at all times
- Wear gloves, closed-toe shoes & long pants when handling
- Work on a stable, clean surface away from children and pets
- Follow all instructions carefully and use tools only as directed

If you are unsure about any step, pause and seek assistance.

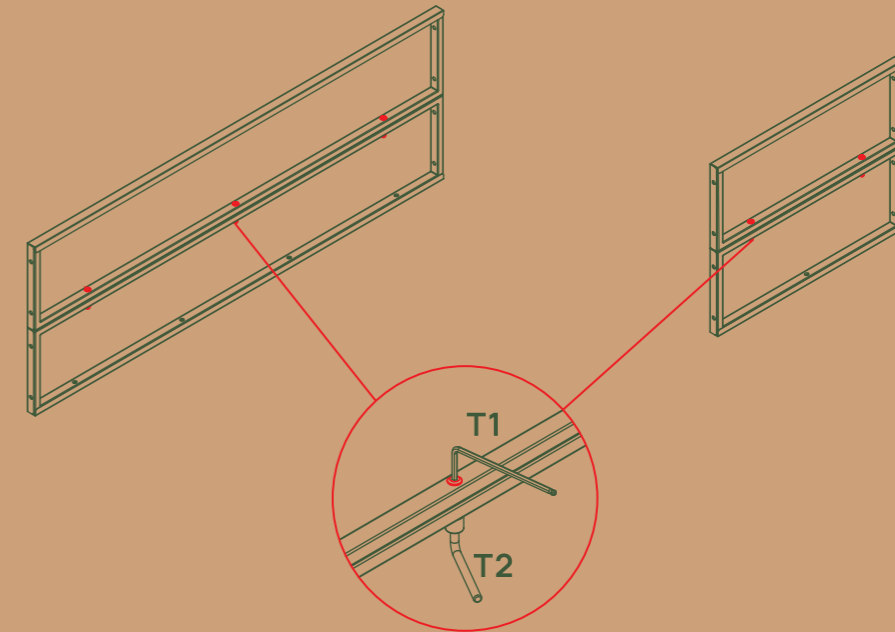


Assembly Guide

- 1** Please remove the protective film from the exterior of each panel before assembly.

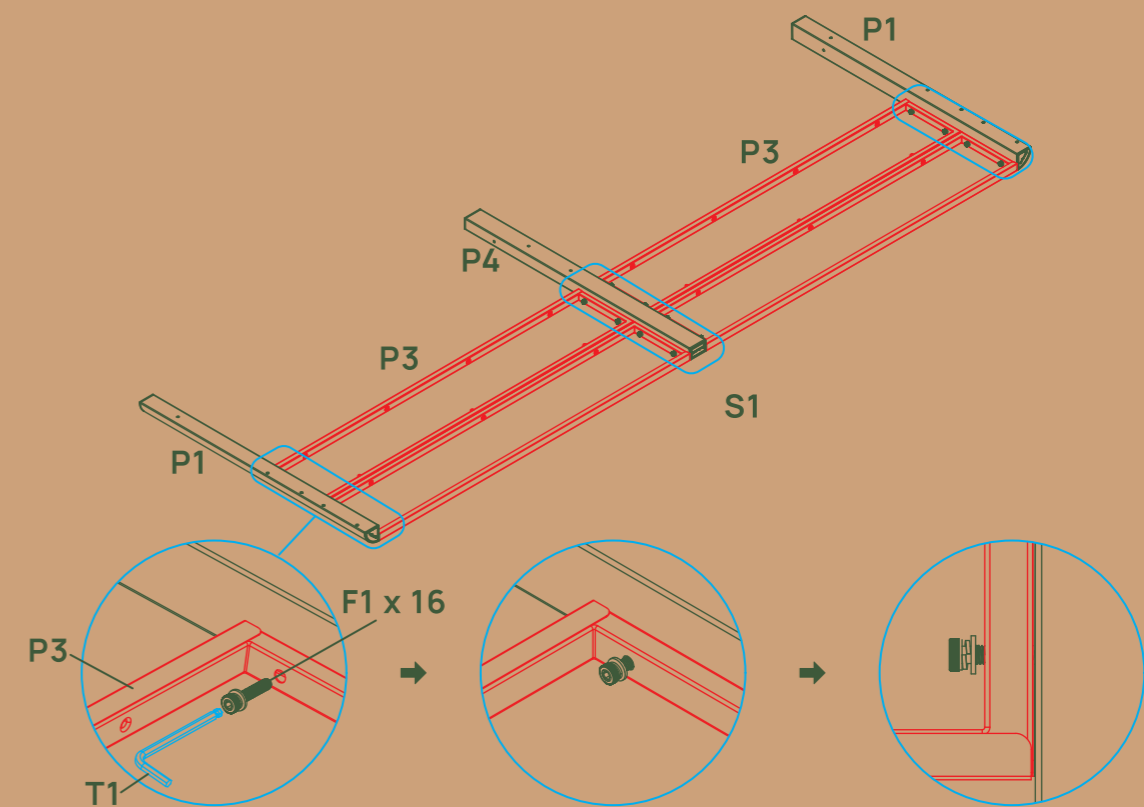


- 2** Check that the internal edges of the P2 and P3 panels are secure. If any are loose, use the T1 and T2 wrenches to tighten them.



- 3** Use the T1 wrench and F1 bolts to assemble the P1 legs, P3 panels, and P4 leg into S1.

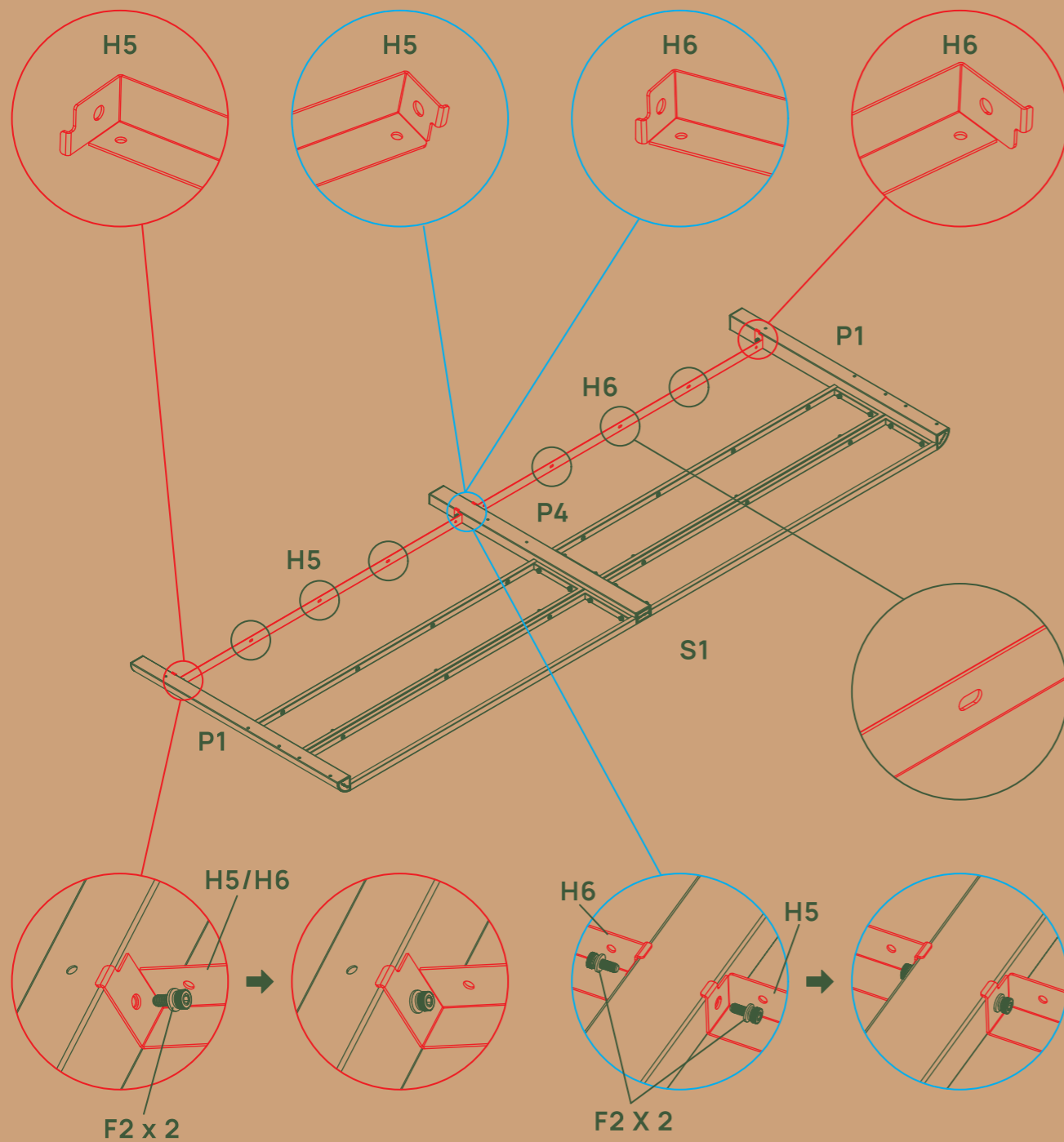
Note: Do not tighten the bolts fully to allow for easier final assembly.



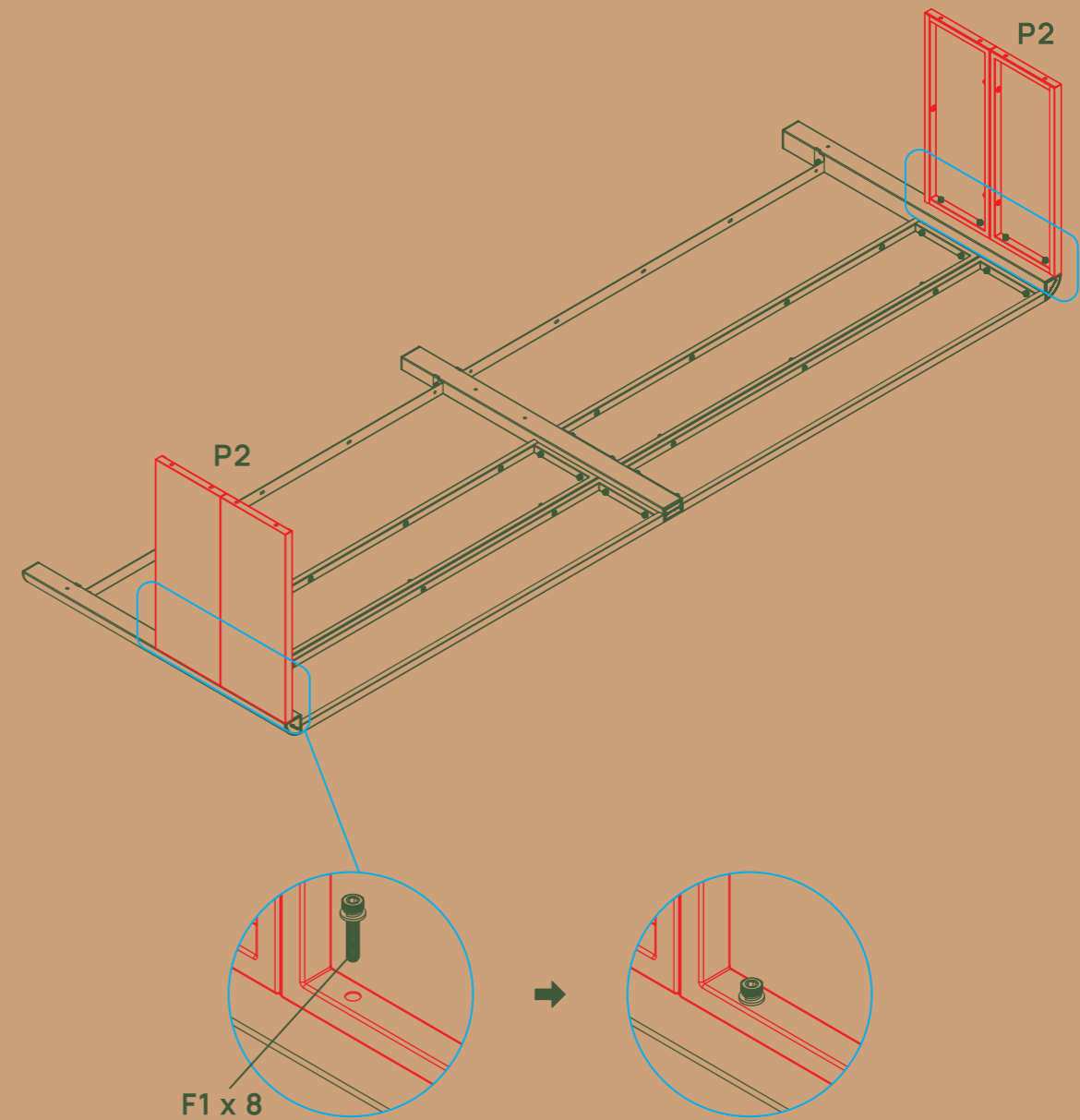
- 4** Use the T1 wrench and F2 bolts to attach H5 and H6 between the P1 leg and the P4 leg. Once completed, fully tighten all bolts on S1.

Notes:

1. Make sure the side of H5 and H6 with holes faces the top of the bed.
2. Make sure to position H5 and H6 so that the end with the protruding plate is attached to P1, and the flush end is attached to P4.

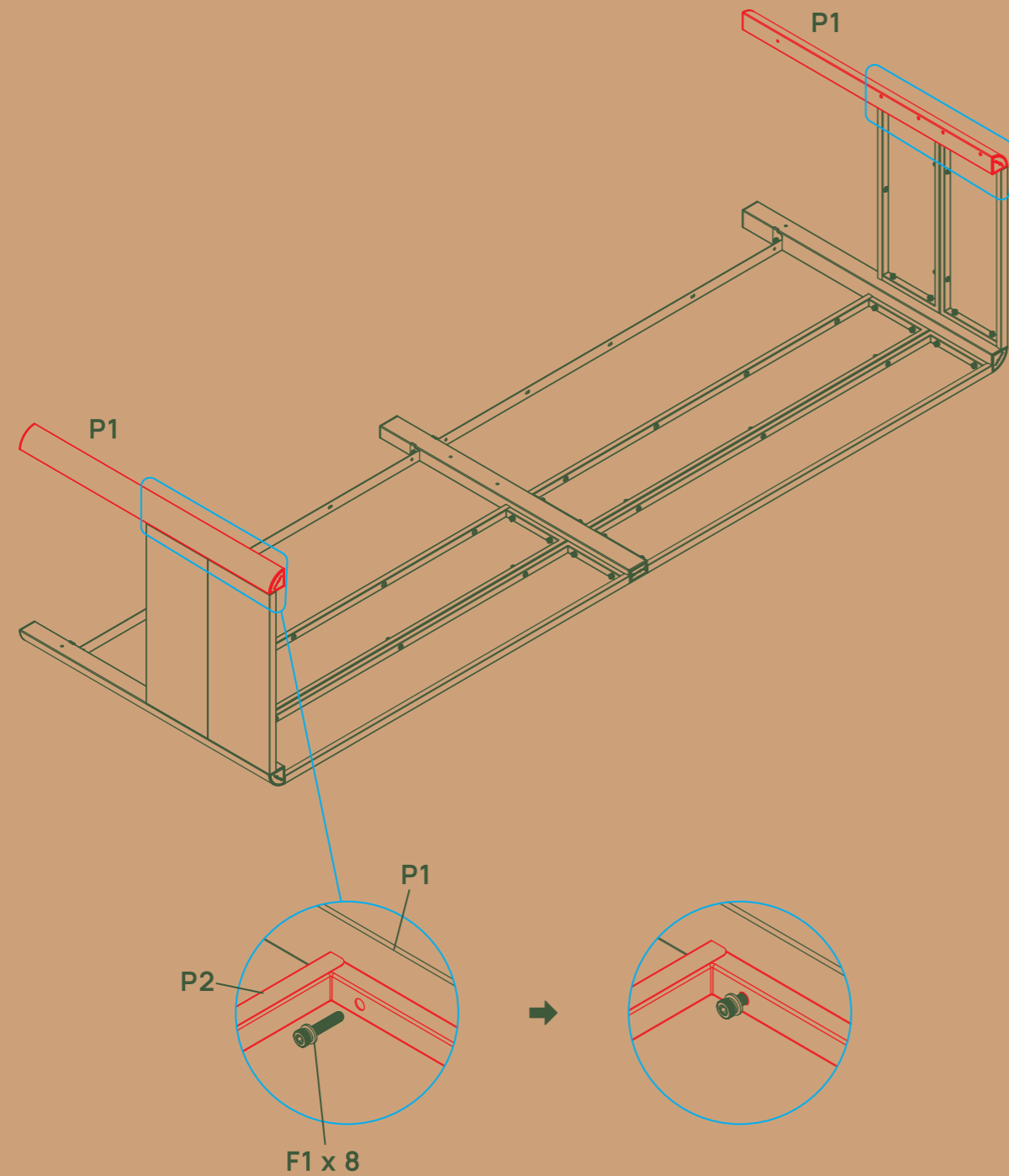


- 5** Use the T1 wrench and F1 bolts to attach two P2 panels to the P1 legs, and tighten them.

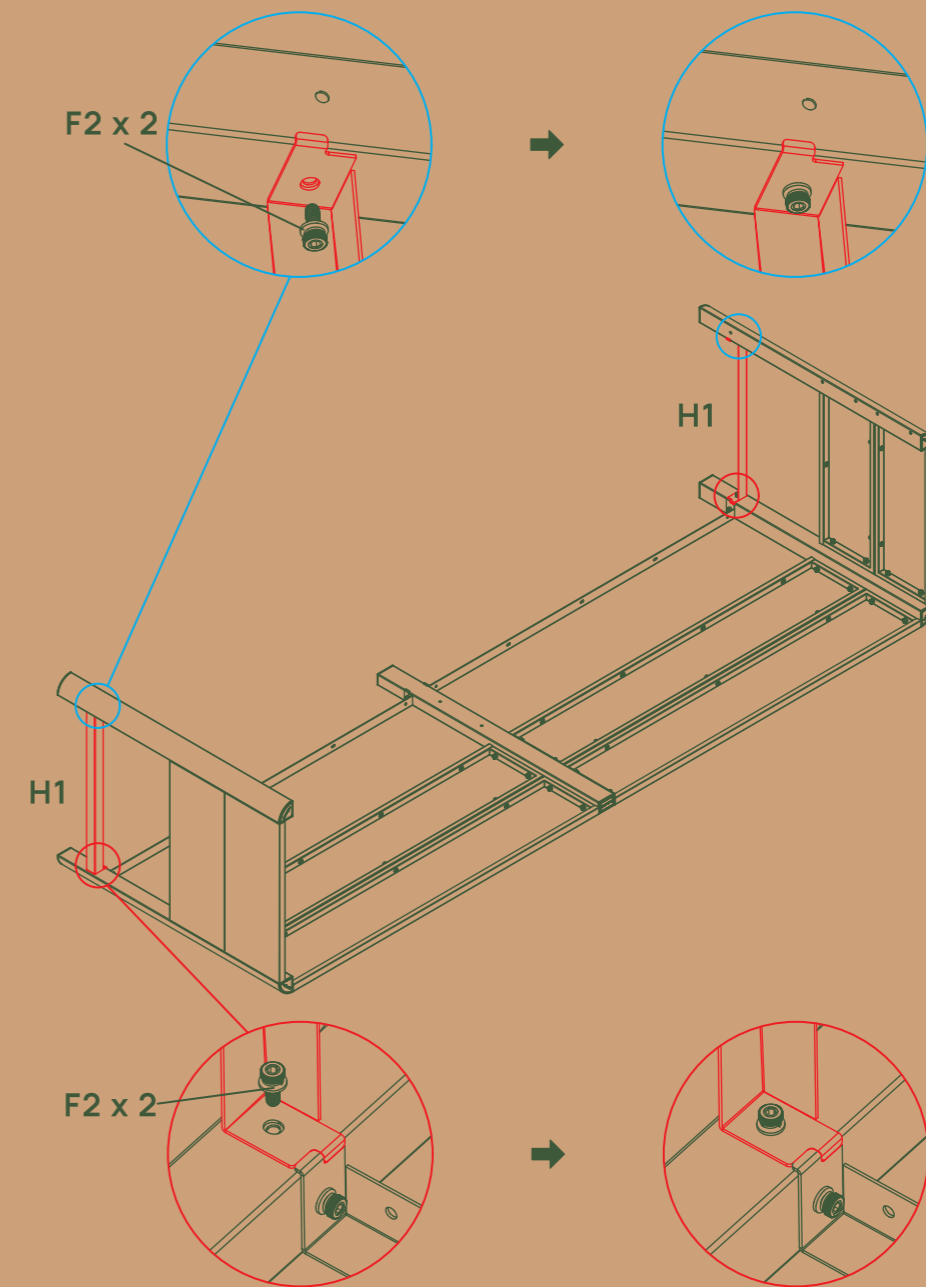


6 Use the T1 wrench and F1 bolts to attach two P1 legs to the P2 panels.

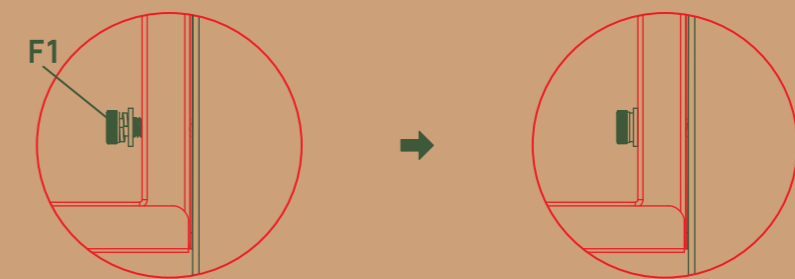
Note: Do not tighten the bolts fully to allow for easier final assembly.



7 Use the T1 wrench and F2 bolts to attach two H1s between the P1 legs and tighten.

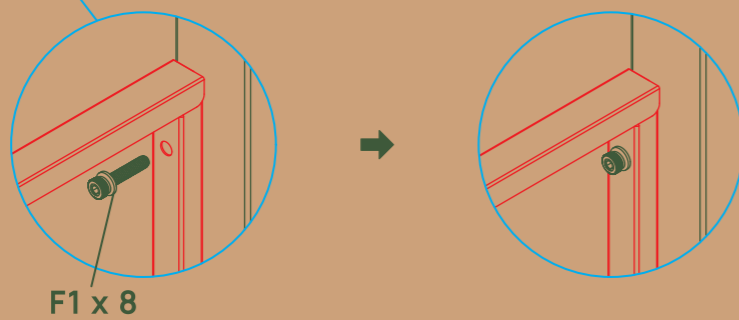
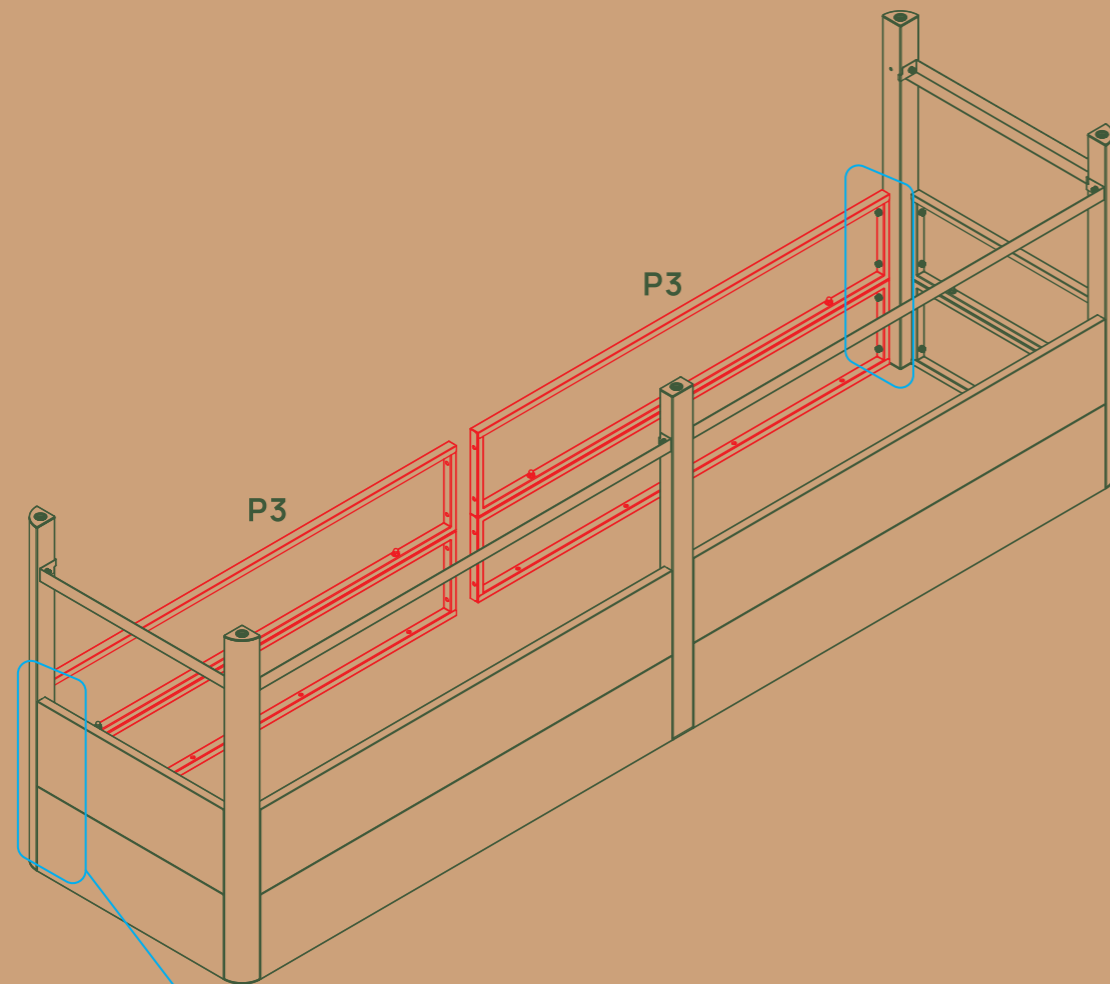


After completing this step, tighten all F1 bolts from the previous step.

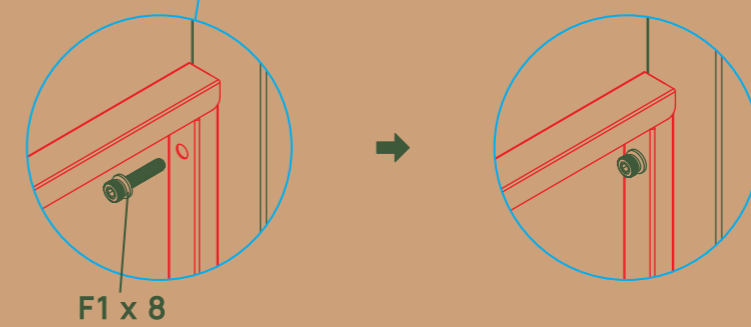
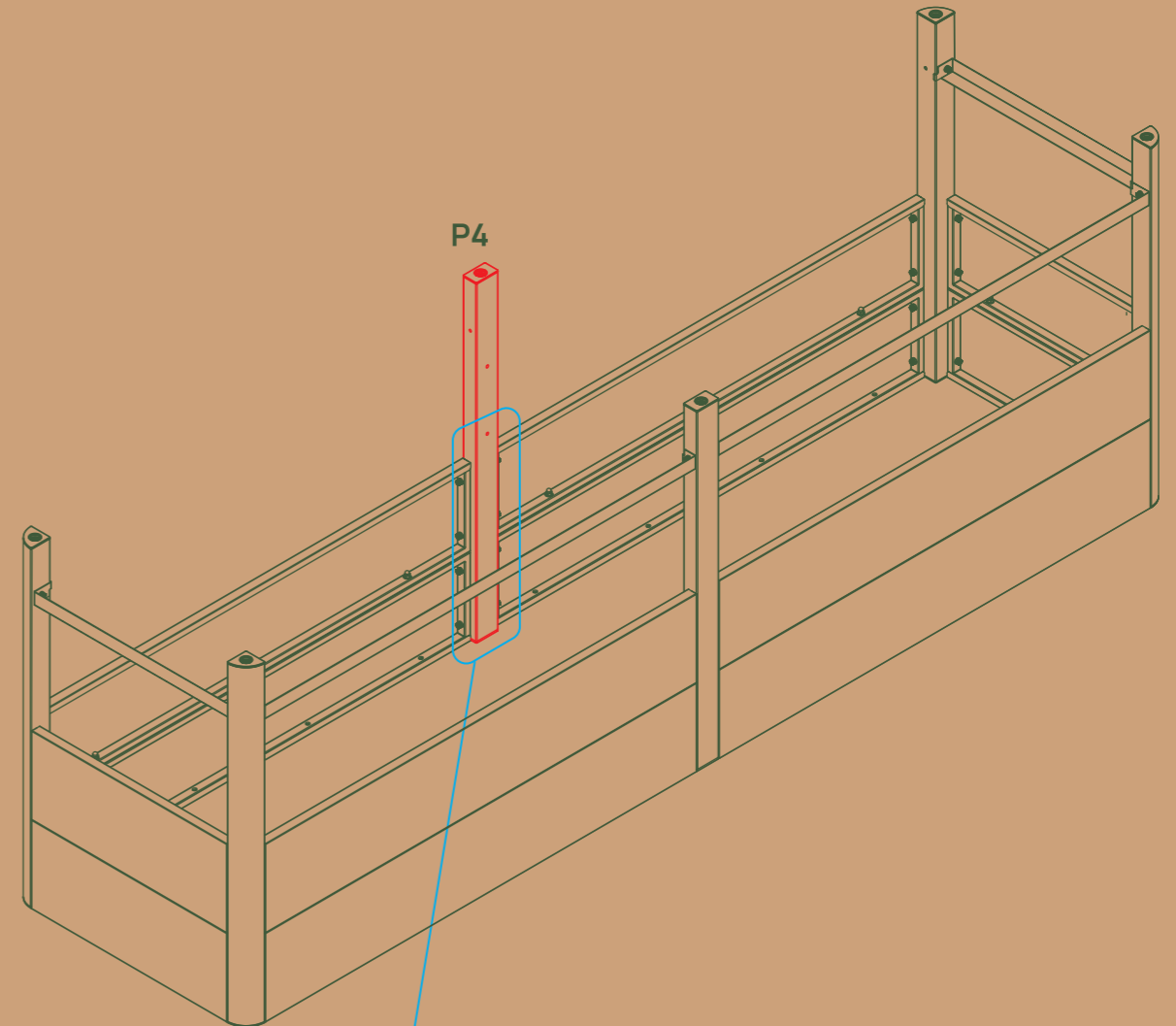


8 Position the garden bed upside-down. Use the T1 wrench and F1 bolts to attach the P3 panels to the P1 legs.

Note: Do not tighten the bolts fully to allow for easier final assembly.



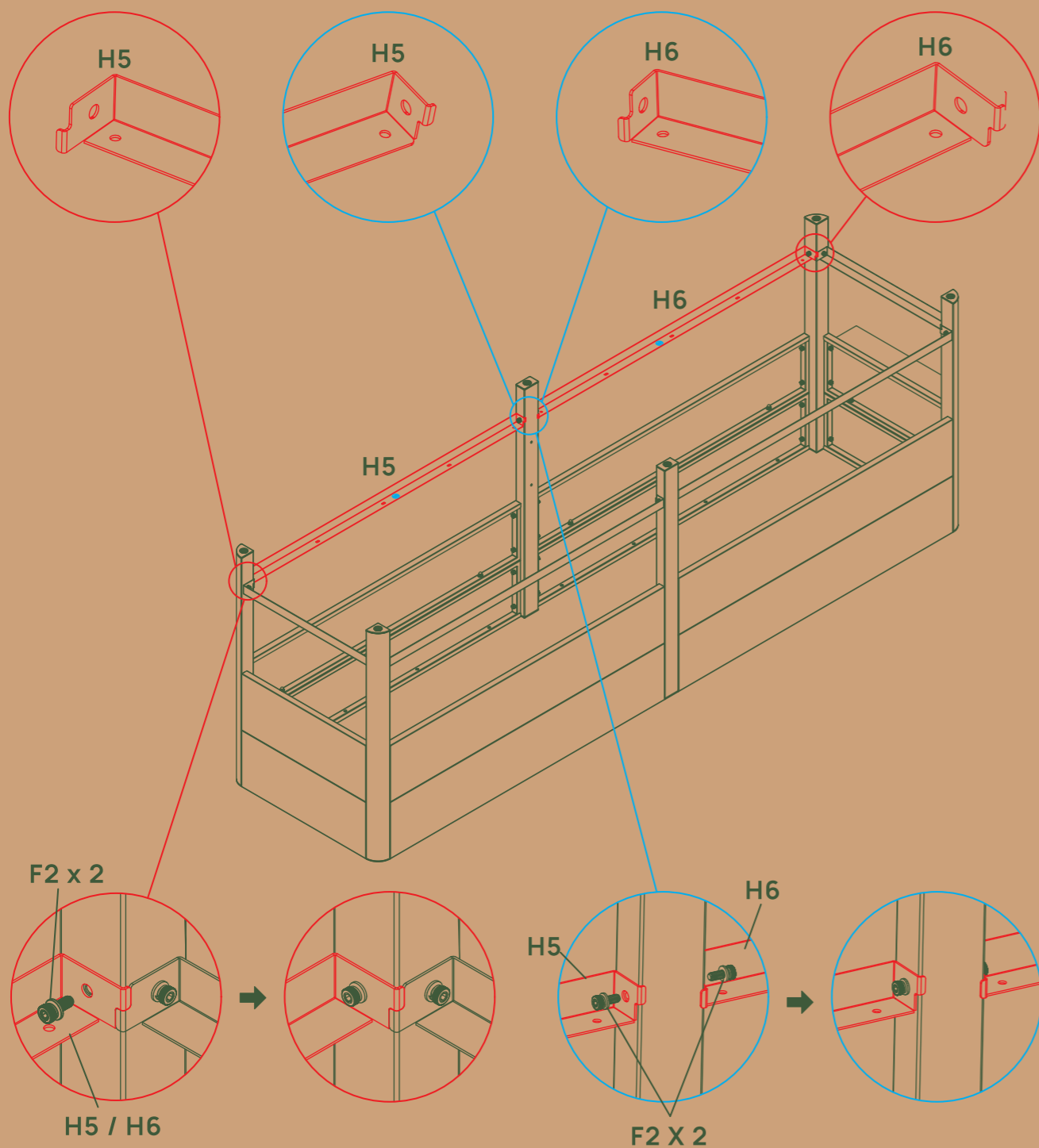
9 Use the T1 wrench and F1 bolts to attach the P4 leg to the P3 panels.
Note: Do not tighten the bolts fully to allow for easier final assembly.



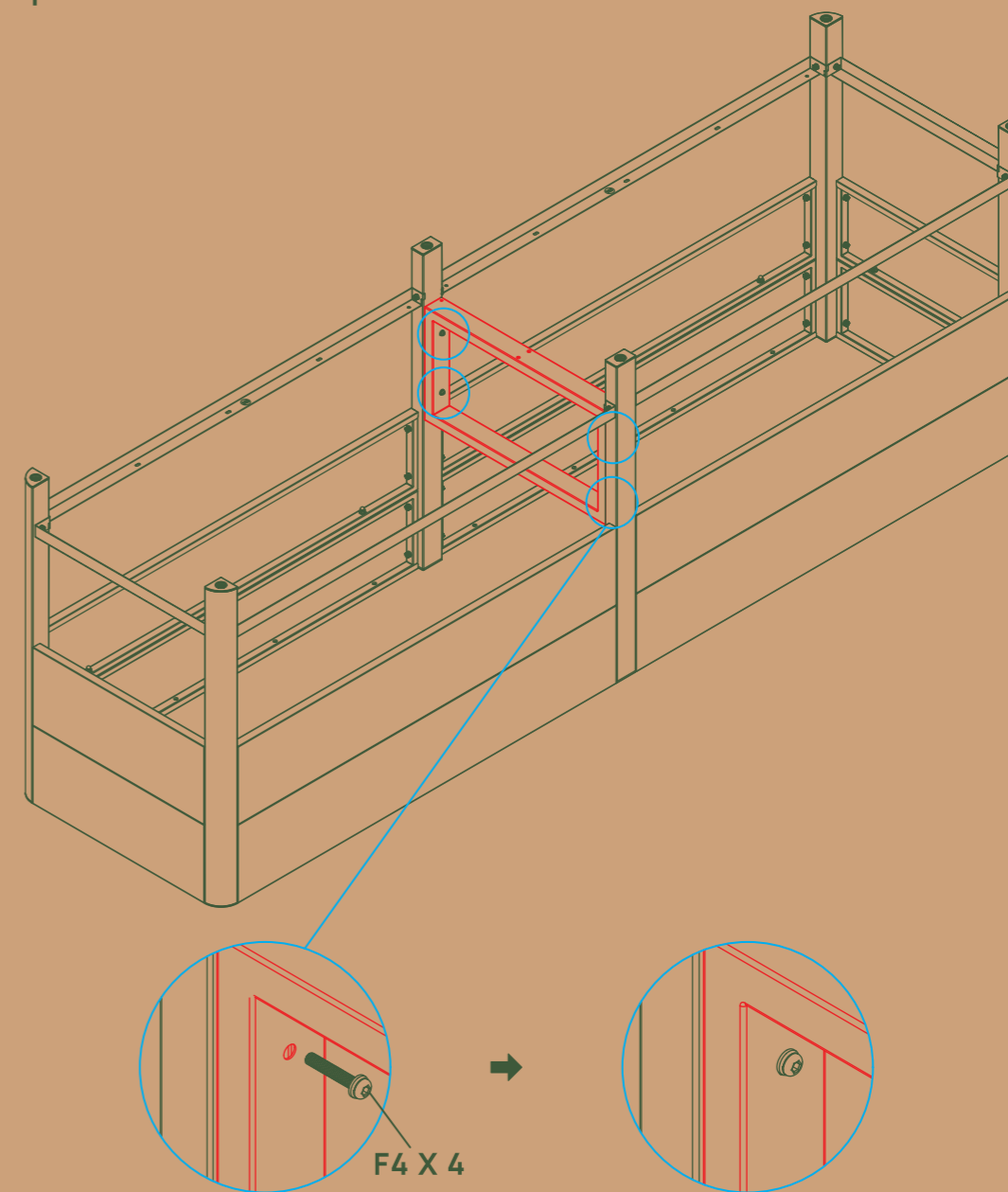
10 Use the T1 wrench and F2 bolts to attach H5 and H6 between P1 legs and P4 leg. Make sure to position H5 and H6 so that the end with the protruding plate is attached to P1, and the flush end is attached to P4.

Notes:

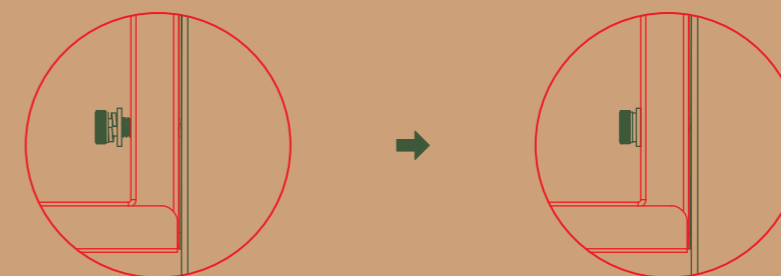
- 1. Make sure the side of H5 and H6 with holes faces the top of the bed.
- 2. Do not tighten the bolts fully to allow for easier final assembly.



11 Use the T1 wrench and F4 bolts to attach the square frame (P5) to the two pieces.



After completing this step, tighten all bolts.

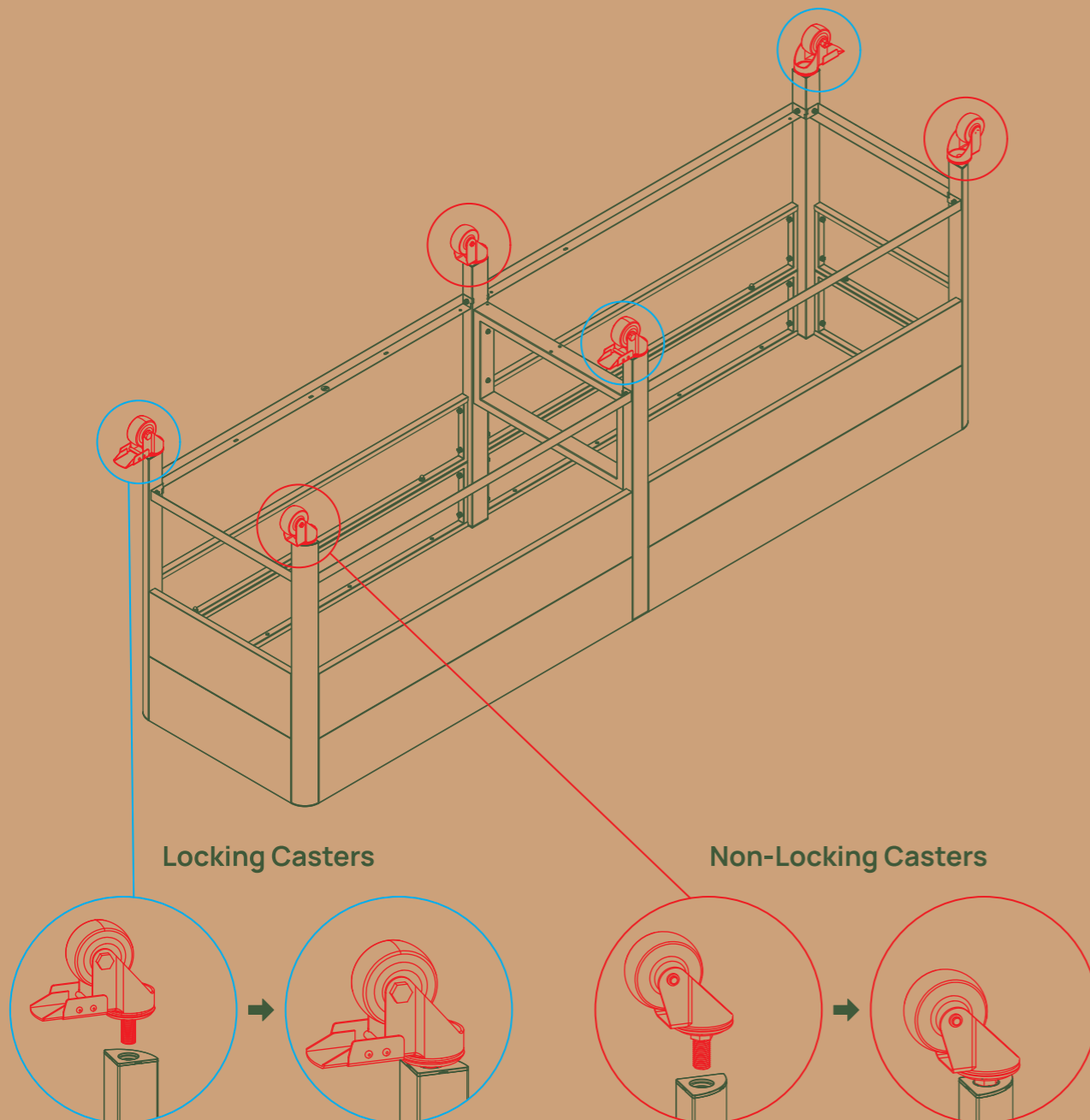


Caster Guide

If you purchased the Woodgrain Elevated Garden Bed with casters, please follow the steps below to install them. If not, you can skip this step.

Hand-tighten the casters' bolts into the holes on the bottom of the legs until they can no longer turn.

Note: Make sure both locking casters are installed diagonally from each other.



Important Caster Note

For optimal use, safety, and to prolong the lifespan of the casters please adhere to the follow guidelines:

- Always engage the casters' brakes when the garden bed is stationary to prevent unintended movement.
- Avoid depressions or grooves deeper than 0.4 inches, as they may cause the casters to become unstable.
- Remove any small stones, debris, or obstacles that could hinder movement or damage the casters over time.
- Use only on the suitable surfaces listed below:

Suitable Surfaces

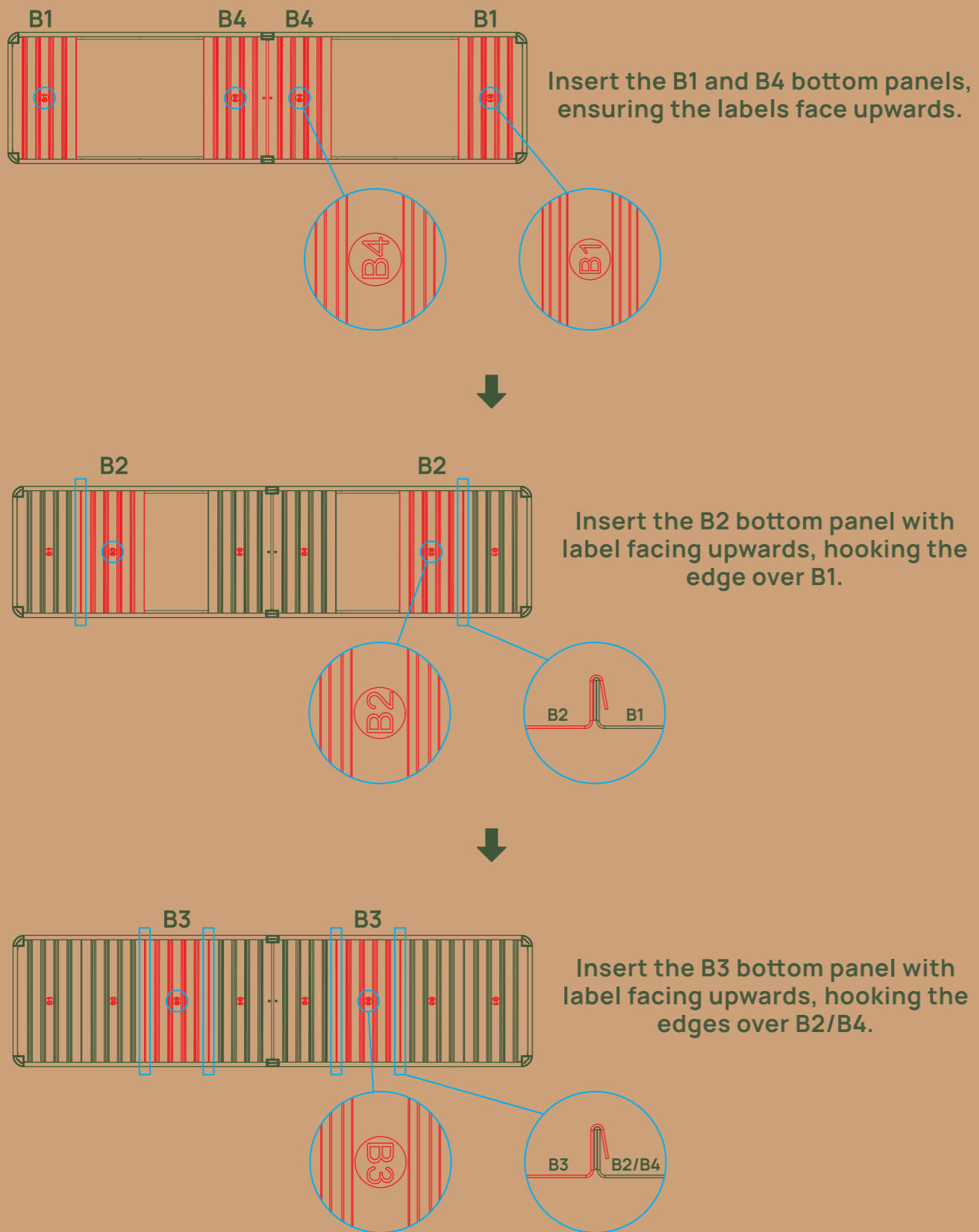
- Flat, stable surfaces
- Concrete
- Wooden & composite decks
- Pavers & tile

Unsuitable Surfaces

- Slopes or inclines
- Soft ground such as grass, soil, or sand
- Uneven gravel or rocky areas

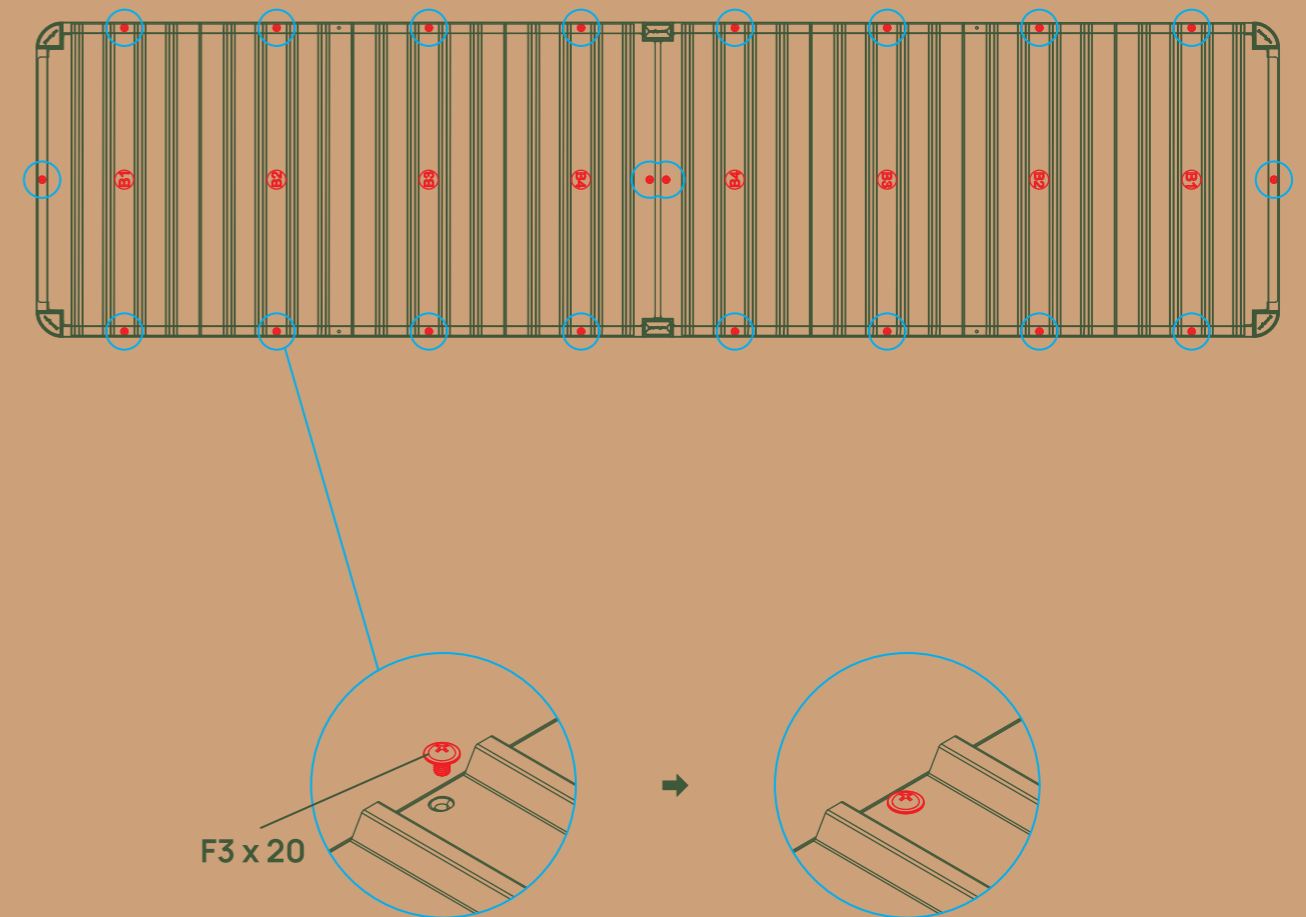
10 Install the TerraFlow Floor

Insert one edge of the panel at an angle into the bottom, then lay the panel flat.



13 Use a phillips screwdriver and F3 bolts to secure the TerraFlow Floor in place.

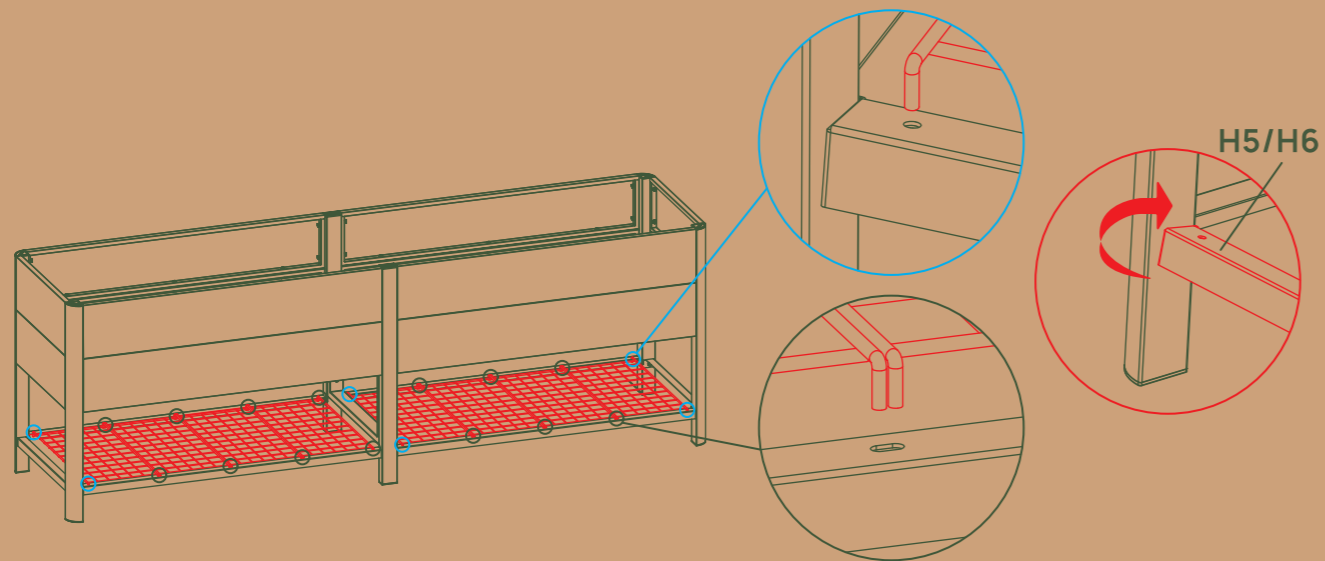
Note: To make installation easier, first thread all F3 bolts 2-3 turns, then fully tighten.



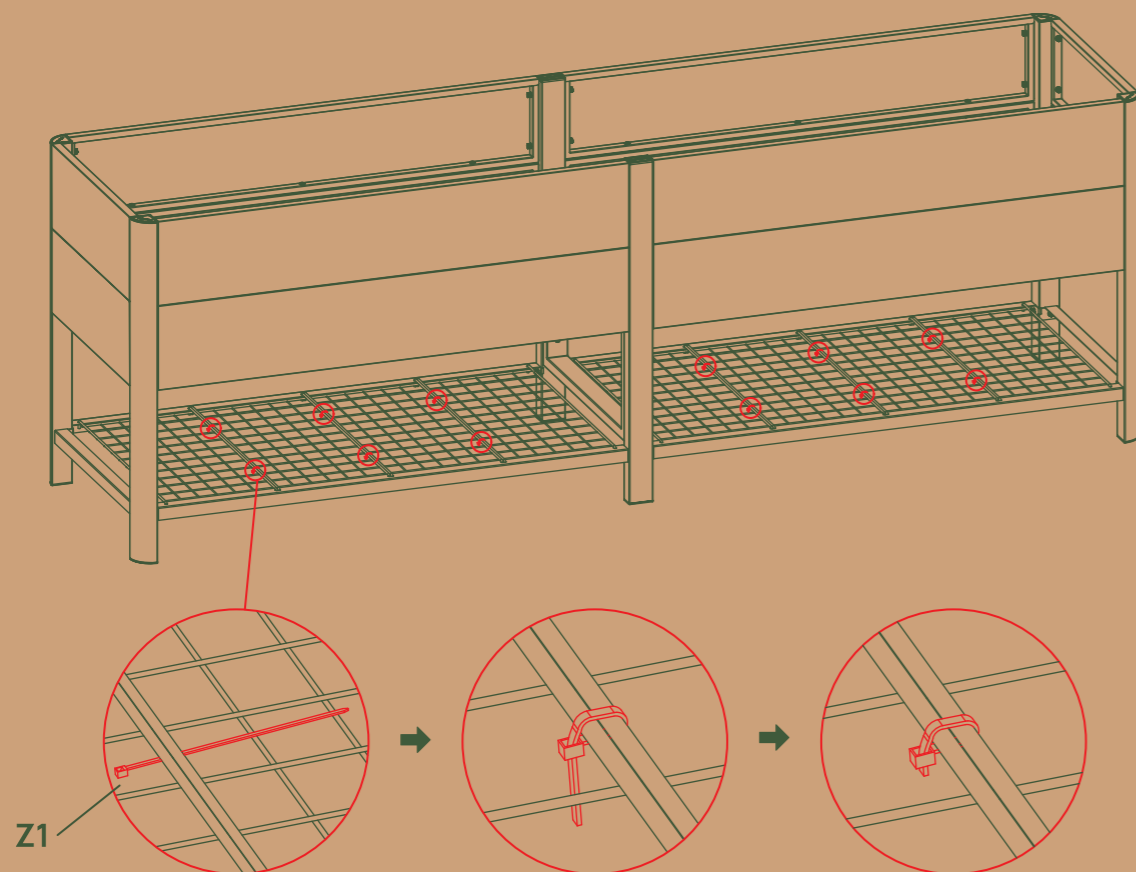
14 Add Storage Rack

Insert the metal rack into the holes on H5 and H6.

Note: If the holes are misaligned, gently rotate H4 and try again.



15 Use the Z1 cable ties to secure the rack pieces to each other as shown.



16 Remove the plastic film from the back of the aluminum logo and apply it to garden bed.

