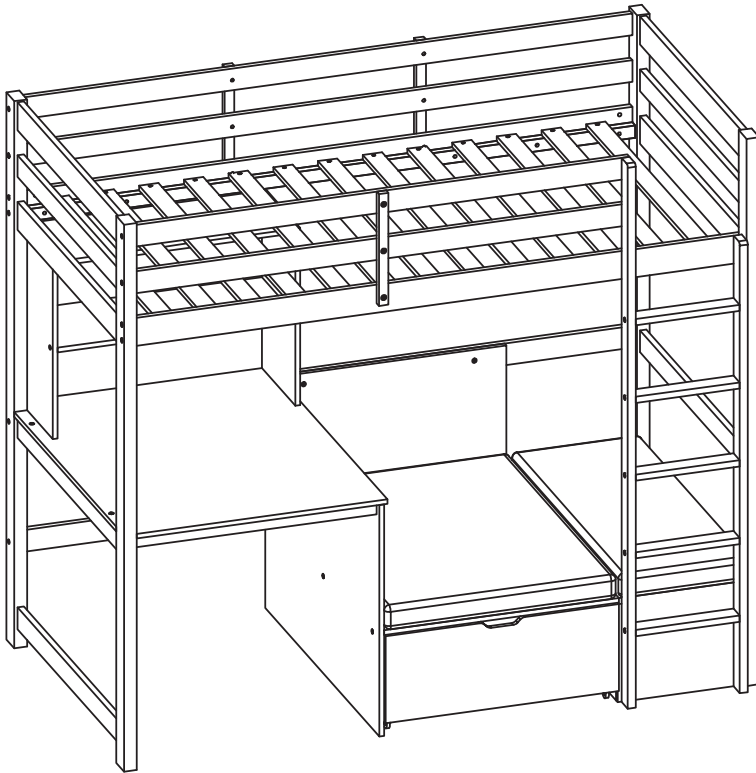


# ASSEMBLY INSTRUCTIONS



## TOOLS REQUIRED



Allen Wrench

(Included)



Phillips  
Screwdriver

(Not Included)



2 - People  
Recommended

## ASSEMBLY RATING



EASY —————> DIFFICULT

The Assembly Rating is a 5-point system showing the level of effort needed to assemble a specific product.



## **CHECK BEFORE STARTING**

### **Are you missing anything?**

Double-check all parts, hardware and accessories listed are all accounted for.

### **Check out our Quick Tips!**

We recommend reviewing the pre-assembly handouts. Even experts need a refresher now and then!

### **Should we send any replacements?**

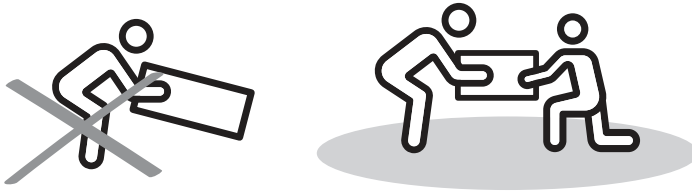
Are there any irregularities or flaws in the parts? We can send replacements!

### **Prep Time!**

Please review the assembly instructions and all diagrams prior to assembling.

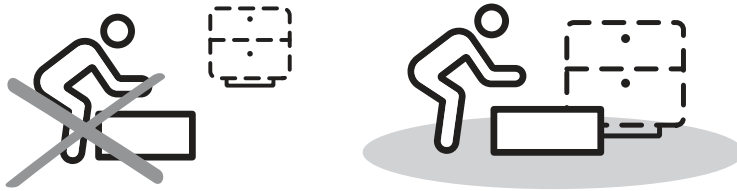
# PRE ASSEMBLY INTRODUCTION

We understand building ready-to-assemble furniture can be a challenging experience for some. To help avoid confusion, we have provided some helpful tips that may speed up the process.



## Teamwork

ALWAYS have at least two people to help with transporting and assembling the product to avoid potential injury and/or damage.



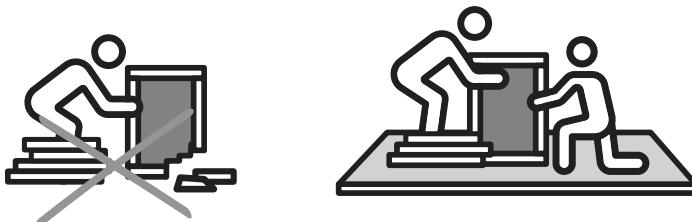
## Suitable Location

Assembling near the area of the intended location is highly recommended.



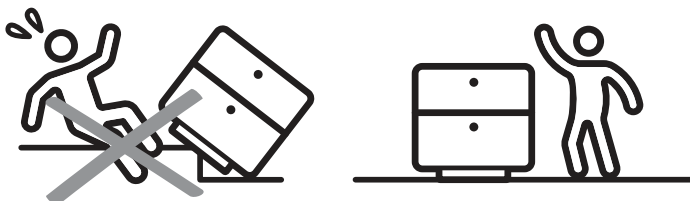
## Sufficient Space

Make sure you have enough space to move around during the assembly.



## Avoid Scratches

Use cardboard, blankets or a carpeted area while assembling furniture to prevent to prevent scratches and damages.



## Flat Surface

Make sure the furniture rests on a flat and level surface with each leg evenly touching the floor.

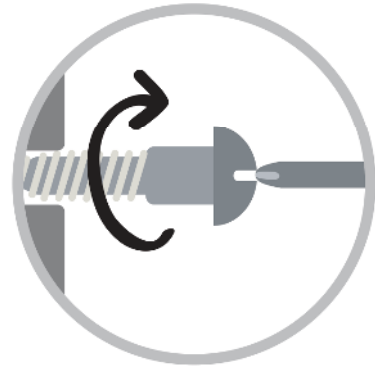
# ASSEMBLY AND CARE ADVICE



**FAILURE TO FOLLOW THE GUIDELINES BELOW MAY RESULT IN INJURY AND/OR PROPERTY DAMAGE.**



Position each part correctly and insert screws or bolts into their respective holes.



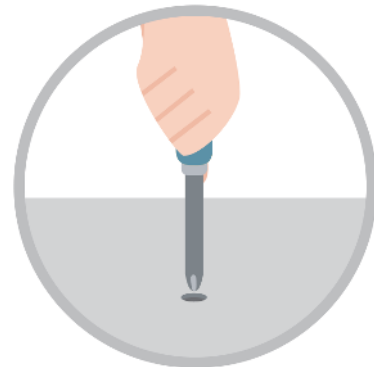
Turn clockwise to tighten and only tighten when step is completed or when instructed to do so.



Use the appropriate hand tools or power tools for assembly. Select steps, such as tightening screws and/or bolts, may require hand tools to avoid causing damage during assembly.



Save the instructions and store any supplied tools for later maintenance.



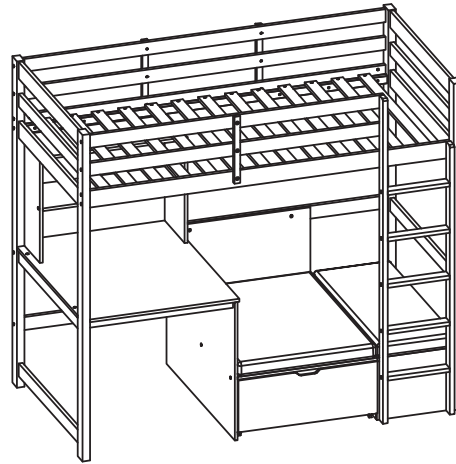
After two weeks, check and tighten any loose hardware and repeat again every six months thereafter.

**IT IS THE USER'S RESPONSIBILITY TO MAINTAIN THE FURNITURE. THE HARDWARE MAY LOOSEN OVER TIME AND MAY CAUSE THE FURNITURE TO BE WOBBLY AND UNABLE TO SUPPORT ITS INTENDED WEIGHT CAPACITY. THIS MAY LEAD TO COLLAPSE AND MAY CAUSE SERIOUS INJURY.**

# BUNKBED

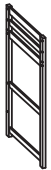


• Please keep instructions for future reference.  
 • Check the quantity and irregularity of parts and hardware before you start.



## PARTS

#1 1pc



Headboard

#2 1pc



Footboard

#3 2pcs



Horizontal upper front rail

#4 1pc



Side rail (front)

#5 2pcs



Horizontal upper back rail

#6 1pc



Side rail (back)

#7 1pc



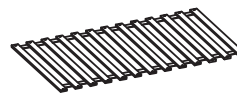
Lower side rail (back)

#8 1pc



Lower side rail (back)

#9 1set



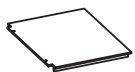
Slat (13pcs)

#10 3pcs



Vertical guard rail support

#11 1pc



Top panel ( left)

#12 1pc



Vertical center panel

#13 1pc



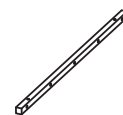
Top panel (right)

#14 1pc



Back panel

#15 2pcs



Horizontal center rail

#16 1pc



Left side rail ladder

#17 1pc



Right side rail ladder

#18 5pcs



Ladder step

#19 1pc



Left vertical shelf

#20 1pc



Right vertical shelf

#21 2pcs



Shelf panel

#22 1pc



Drawer front panel

#23 1pc



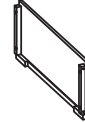
Drawer back panel

#24 1pc



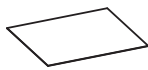
Drawer left panel

#25 1pc



Drawer right panel

#26 1pc



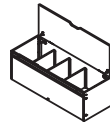
Drawer bottom panel

#27 1pc



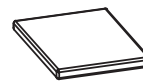
Drawer support bottom

#28 1pc



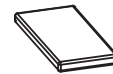
Box

#29 1pc



Mattress (Big)

#30 1pc



Mattress (Small)

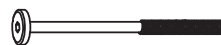
### HARDWARE

#A 1pc



Allen wrench  
4mm

#B 8pcs



Long bolt (Ø15)  
Ø1/4 x 3-1/2"

#C 10pcs



Long bolt (Ø13)  
Ø1/4 x 2-3/8"

#D 4pcs



Short bolt (Ø13)  
Ø1/4 x 1-5/8"

#E 34pcs



Short bolt (Ø13)  
Ø1/4 x 1-1/4"

#F 2pcs



Half-moon washer  
Ø1/4

#G 8pcs



Barrel nut  
Ø1/4x13mm

#H 8pcs



Barrel nut  
Ø1/4x15mm

#I 10pcs



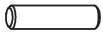
Wood screw (Ø15)  
Ø1/4 x 3-1/8"

#J 10pcs



Wood screw (Ø13)  
Ø1/4 x 2"

#K 20pcs



Dowel  
Ø10x40mm

#L 4pcs



Dowel  
Ø10x30mm

#M 8pcs



Dowel  
Ø8x30mm

#N 6pcs



Dowel  
Ø6x30mm

#O 4pcs



Wheel

#P 26pcs



Wood screw  
#4x35mm

#Q 10pcs

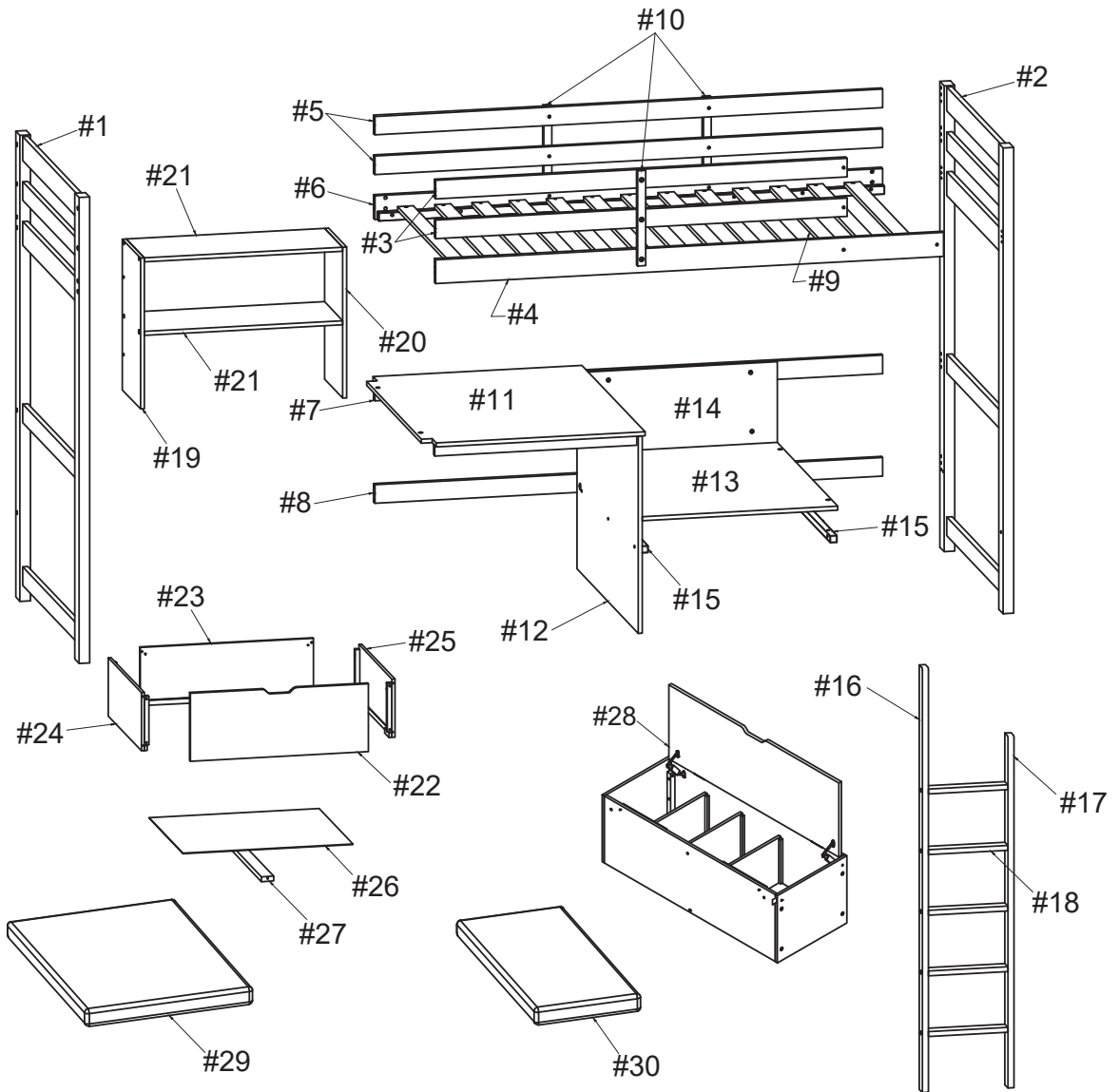













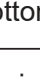
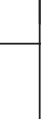

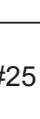






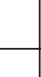


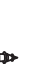
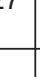







Wood screw  
#4x25mm















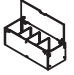
#R 8pcs



Wood screw  
#3x20mm



Carton	Disignation		Part	Hardware
	Headboard	#1		 #A x 1pc
	Footboard	#2		 #B x 8pcs
	Back panel	#14		 #C x 10pcs
	Left vertical shelf	#19		 #D x 4pcs
	Right vertical shelf	#20		 #E x 34pcs
	Shelf Panel (2PCS)	#21		 #F x 2pcs
	Drawer front panel	#22		 #G x 8pcs
	Drawer back panel	#23		 #H x 8pcs
	Drawer left panel	#24		 #I x 10pcs
	Drawer right panel	#25		 #J x 10pcs
	Drawer bottom panel	#26		 #K x 20pcs
	Drawer support bottom	#27		 #L x 4pcs
	Horizontal upper front rail (2pcs)	#3		 #M x 8pcs
	Side rail (front)	#4		 #N x 6pcs
	Horizontal upper back rail	#5		 #O x 4pcs
				 #P x 26pcs
				 #Q x 10pcs
				 #R x 8pcs

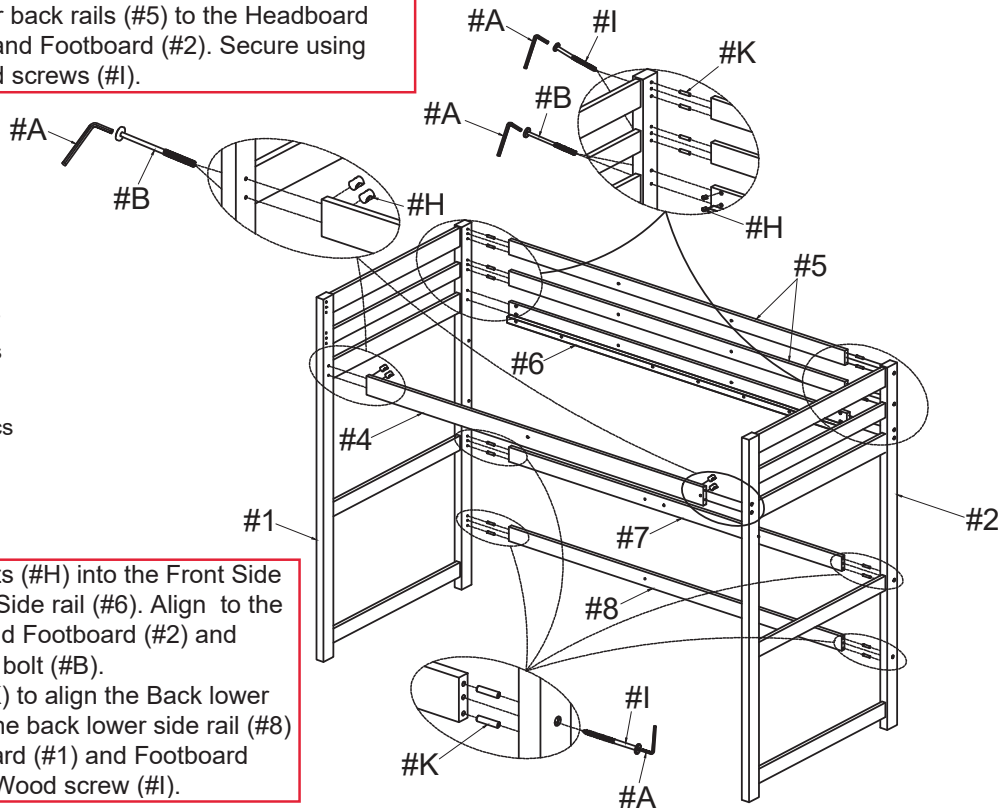
Carton	Disignation		Part	Hardware
	Side rail (back)	#6		
	Lower side rail (back)	#7		
	Lower side rail (back)	#8		
	Vertical guard rail support (3pcs)	#10		
	Left side rail ladder	#16		
	Right side rail ladder	#17		
	Ladder step (5pcs)	#18		
	Slat (13pcs)	#9		
	Top panel ( left)	#11		
	Vertical center panel	#12		
	Top panel (right)	#13		
	Horizontal center rail (2pcs)	#15		
	Mattress (Big)	#29		
	Mattress (Small)	#30		
	Box	#28		

# ASSEMBLY INSTRUCTIONS

## 1

- Part #1 x1pc
- Part #2 x1pc
- Part #4 x1pc
- Part #5 x2pcs
- Part #6 x1pc
- Part #7 x1pc
- Part #8 x1pc
- Hardware #B x 8pcs
- Hardware #H x 8pcs
- Hardware #I x 8pcs
- Hardware #K x 16pcs

I. Use Dowels (#K) to align the Horizontal upper back rails (#5) to the Headboard (#1) and Footboard (#2). Secure using Wood screws (#I).



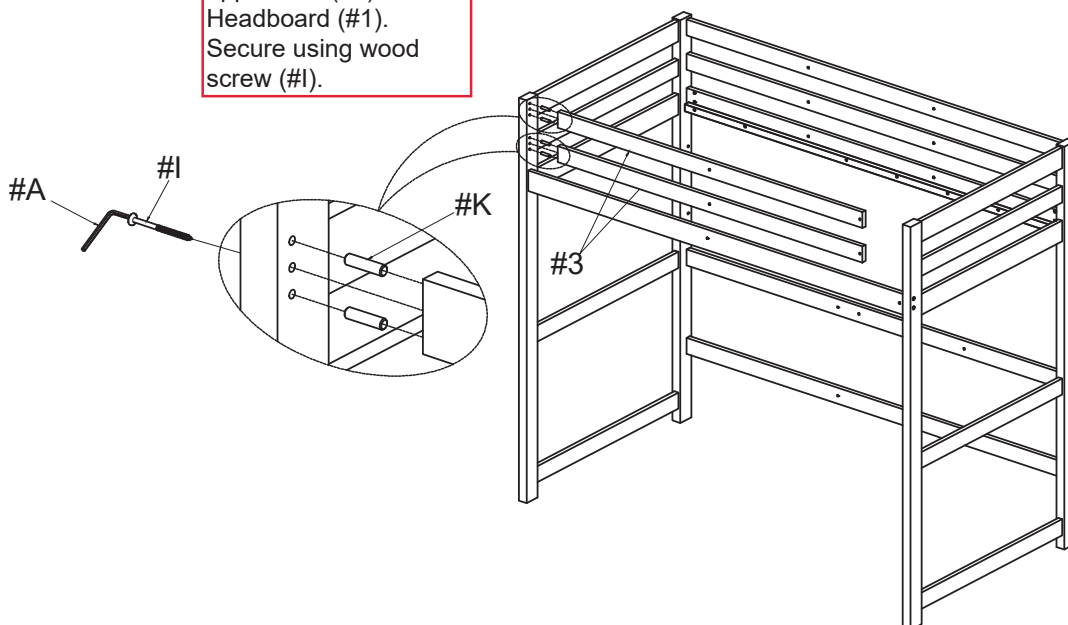
II. Insert Barrel Nuts (#H) into the Front Side rail (#4) and Back Side rail (#6). Align to the Headboard (#1) and Footboard (#2) and secure using Long bolt (#B).

III. Use dowels (#K) to align the Back lower side rail (#7) and the back lower side rail (#8) to the the Headboard (#1) and Footboard (#2).secure using Wood screw (#I).

## 2

- Part #3 x2pcs
- Hardware #I x 2pcs
- Hardware #K x 4pcs

Use Dowels (#K) to align Front horizontal upper rails (#3) to the Headboard (#1). Secure using wood screw (#I).

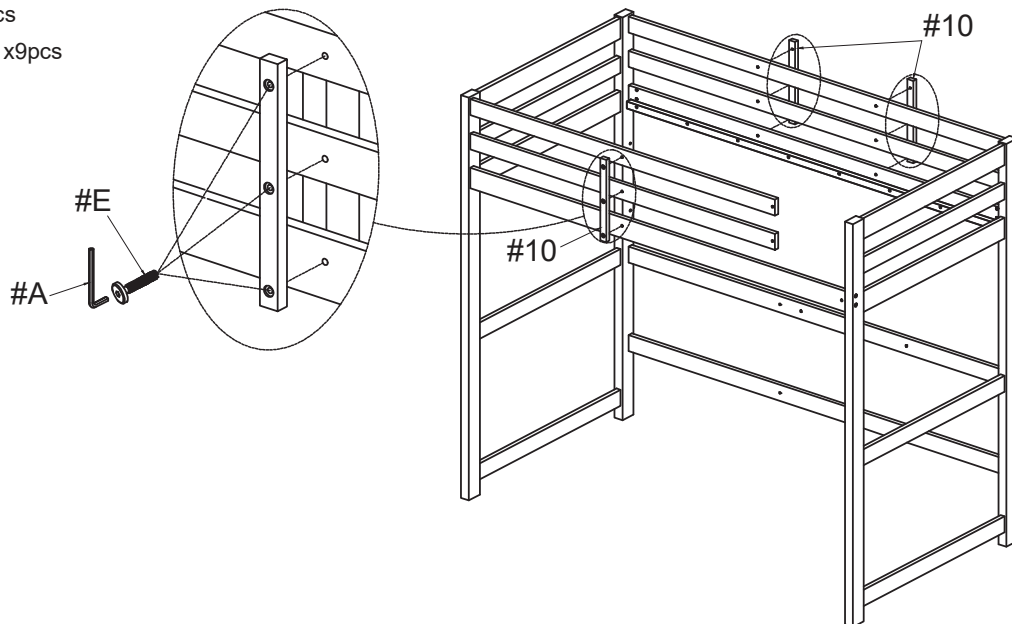


# ASSEMBLY INSTRUCTIONS

## 3

Align the Vertical guard rail support (#10) to the front and back upper rails and secure using Short bolt (#E).

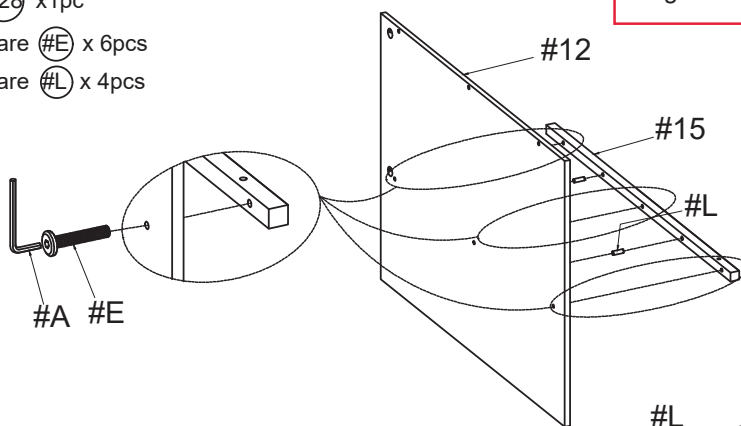
Part #10 x3pcs  
Hardware #E x9pcs



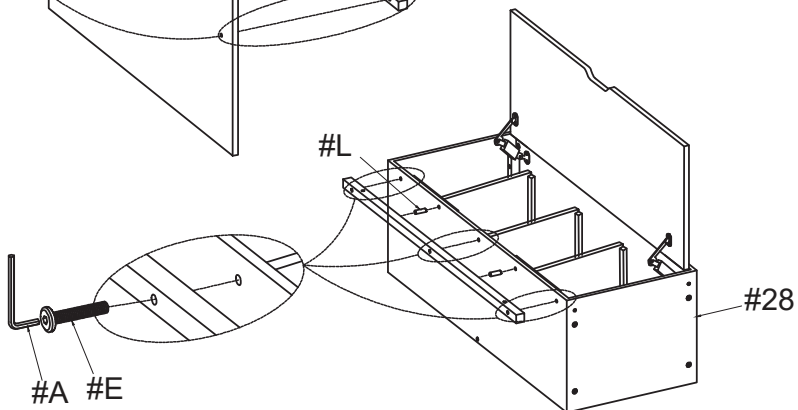
## 4

Part #12 x1pc  
Part #15 x2pcs  
Part #28 x1pc  
Hardware #E x 6pcs  
Hardware #L x 4pcs

I. Use Dowels (#L) to align the Horizontal center rail (#15) to the Vertical center panel (#12) and secure using Short bolt (#E).



II. Use Dowels (#L) to align the Horizontal center rail (#15) to the Box (#28) and secure using Short bolt (#E).



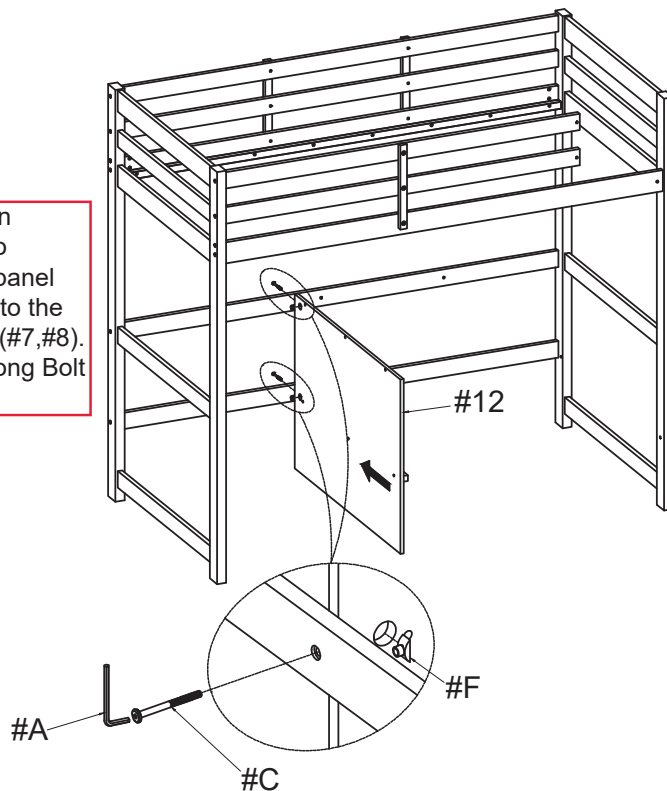
# ASSEMBLY INSTRUCTIONS

## 5

Hardware (#C) x 2pcs

Hardware (#F) x 2pcs

Insert Half-moon washer (#F) into Vertical center panel (#12) and align to the lower side rails (#7,#8). Secure using Long Bolt (#C).

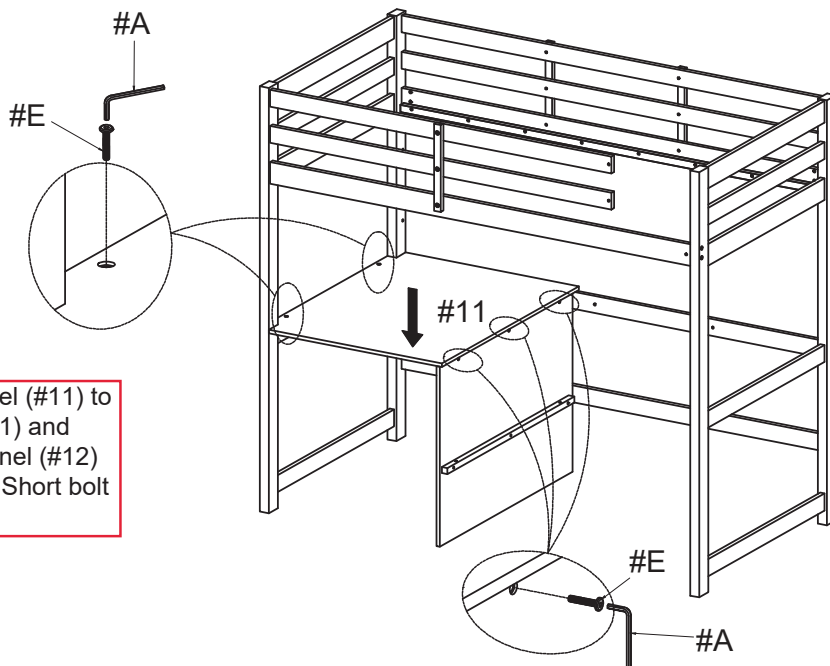


## 6

Part (#11) x1pc

Hardware (#E) x 5pcs

Align Left top panel (#11) to the Headboard (#1) and Vertical center panel (#12) and secure using Short bolt (#E).

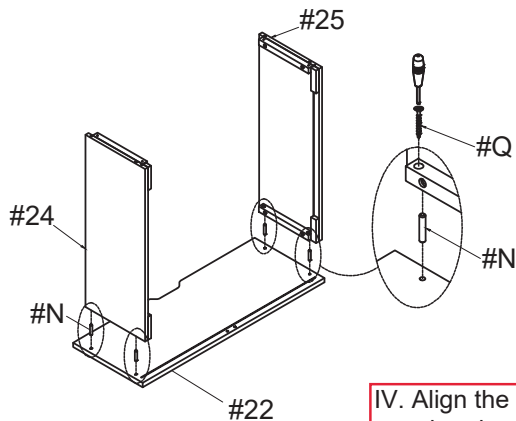


# ASSEMBLY INSTRUCTIONS

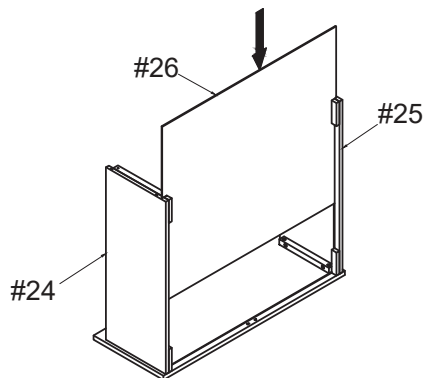
## 7

- Part #22 x1pc
- Part #23 x1pc
- Part #24 x1pc
- Part #25 x2pcs
- Part #26 x1pc
- Part #27 x1pc
- Hardware #N x6pcs
- Hardware #O x 4pcs
- Hardware #Q x 10pcs
- Hardware #R x 8pcs

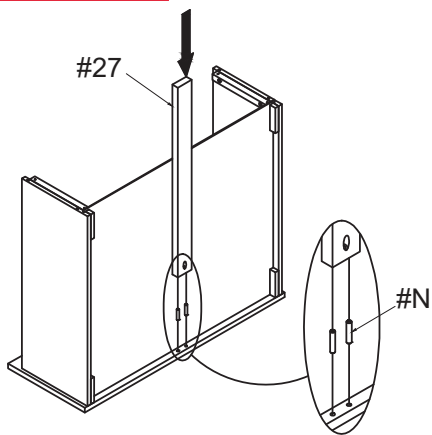
I. Use Dowels (#N) to align the Drawer left panel (#24) and Drawer right panel (#25) to the Drawer front panel (#22). Secure using Wood Screw (#Q).



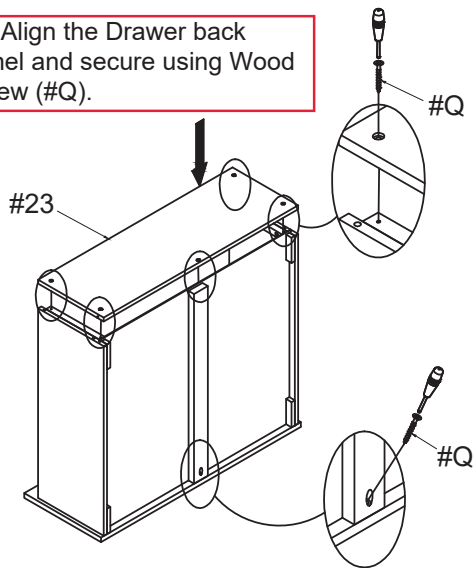
II. Insert Drawer bottom panel (#26) into the slits.



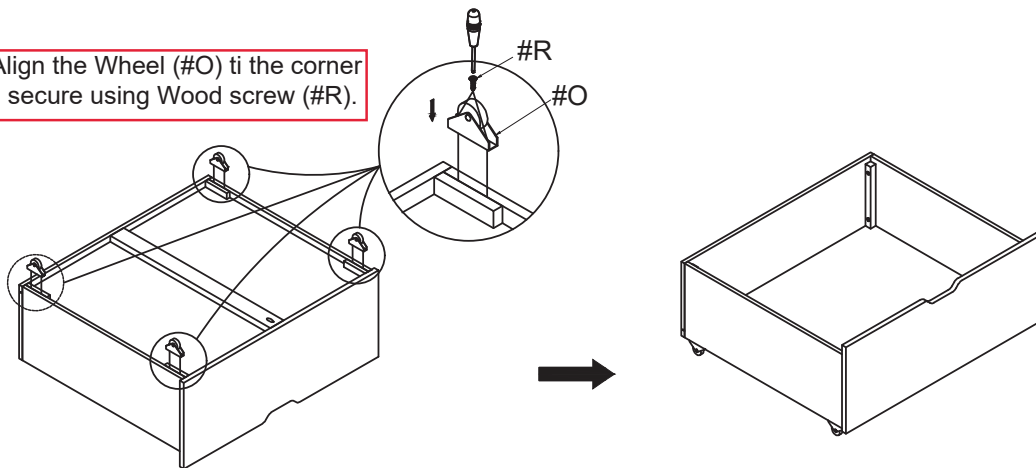
III. Use Dowels (#N) to align the Drawer Support bottom (#27).



IV. Align the Drawer back panel and secure using Wood screw (#Q).



V. Align the Wheel (#O) to the corner and secure using Wood screw (#R).

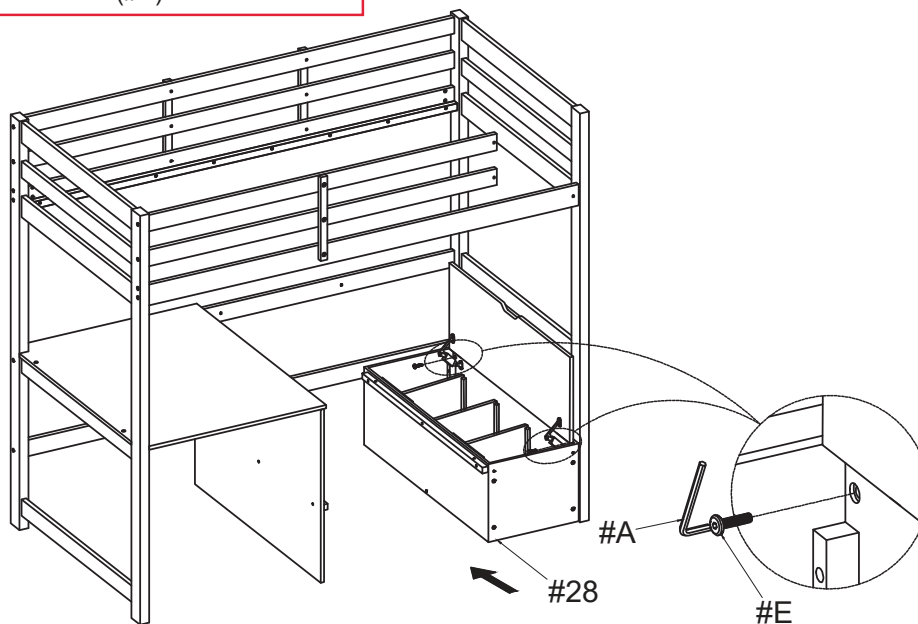


# ASSEMBLY INSTRUCTIONS

## 8

Part #28 x1pc  
Hardware #E x2pcs

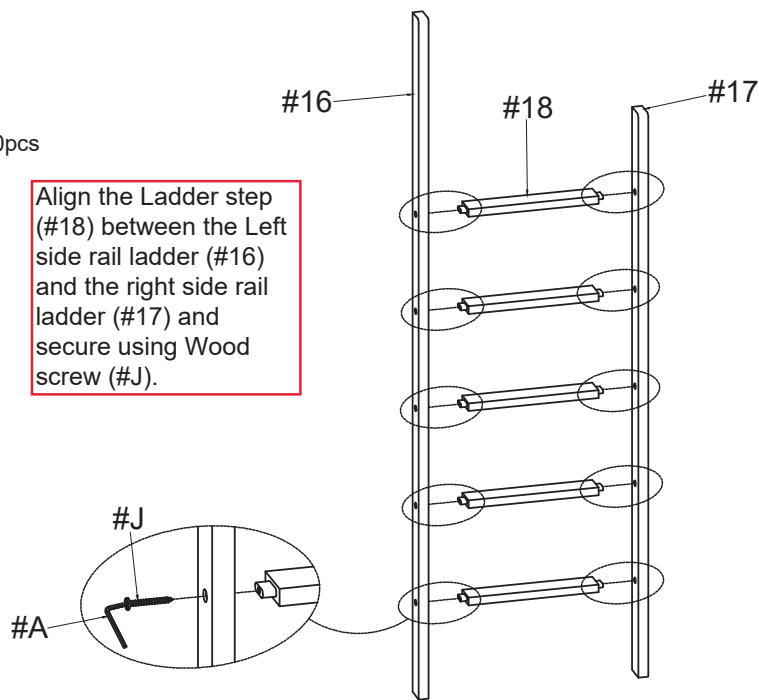
Align the Box (#28) to the Footboard (#2) and secure from within the box using Short bolt (#E).



## 9

Part #16 x1pc  
Part #17 x1pc  
Part #18 x5pcs  
Hardware #J x10pcs

Align the Ladder step (#18) between the Left side rail ladder (#16) and the right side rail ladder (#17) and secure using Wood screw (#J).



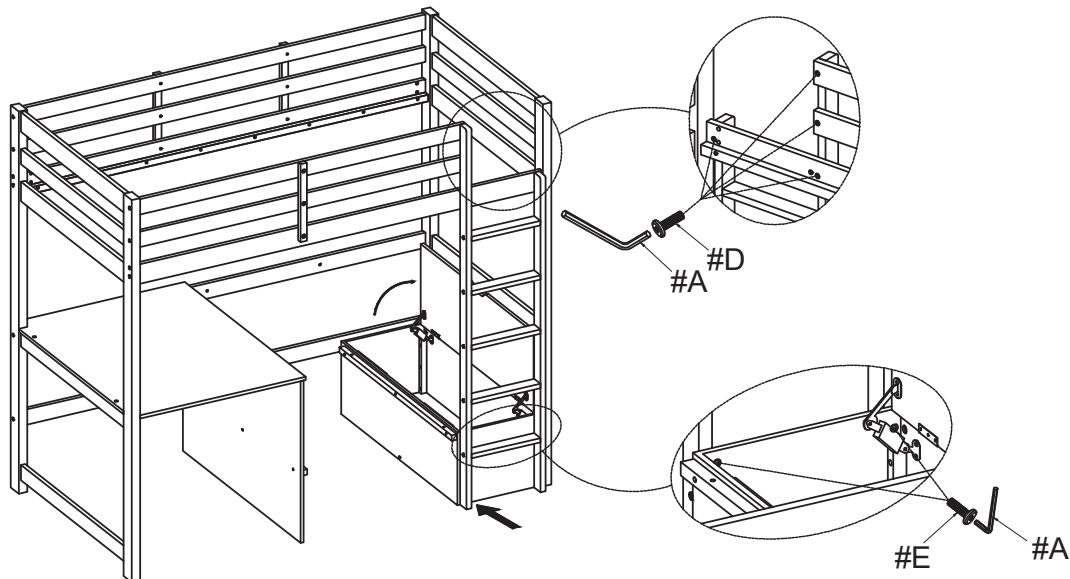
# ASSEMBLY INSTRUCTIONS

## 10

Hardware (#D) x4pcs

Hardware (#E) x 2pcs

Align the top of the ladder to the top bunk and secure using Short bolt (#D). Secure the bottom of the ladder to the Box (#28) and secure using Short bolt (#E).

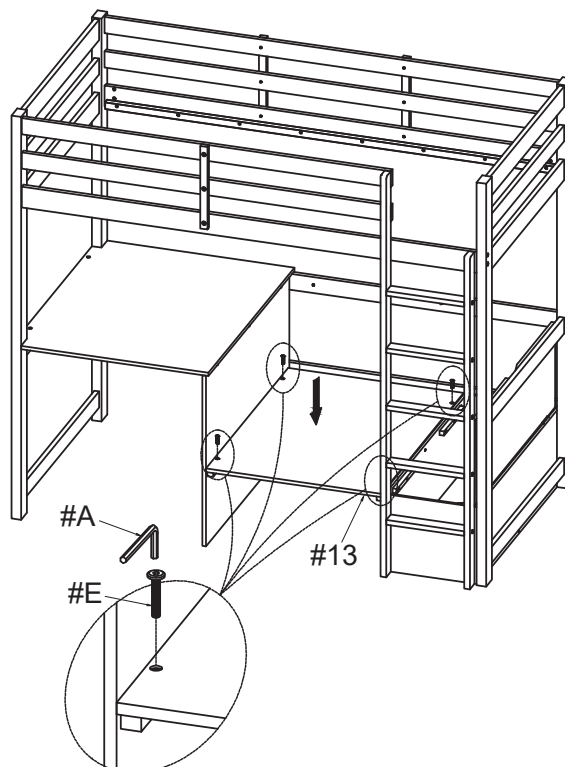


## 11

Part (#13) x1pc

Hardware (#E) x 4pcs

Insert Top panel right (#13) as shown in the diagram and secure using Short bolt (#E).

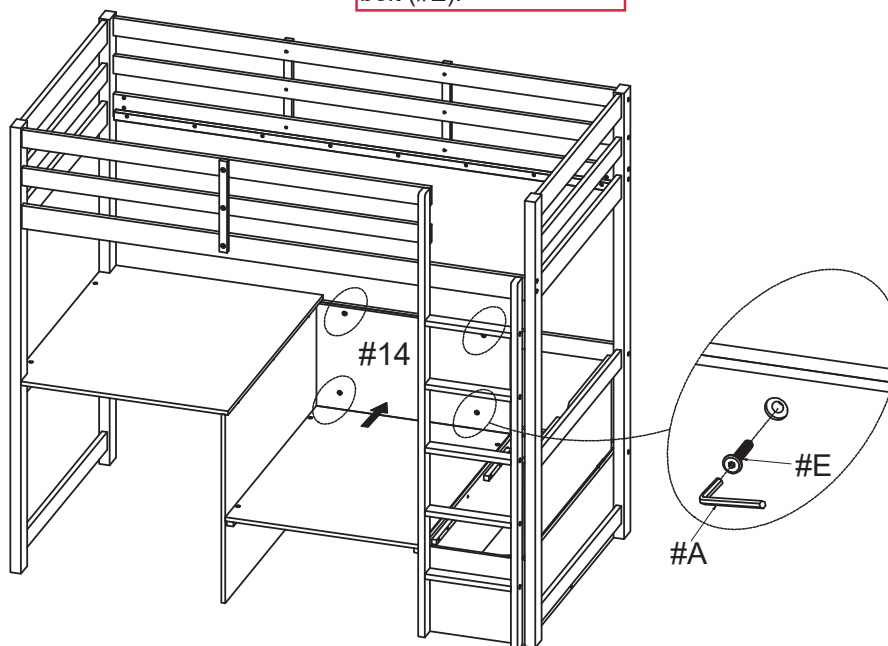


# ASSEMBLY INSTRUCTIONS

## 12

Part #14 x1pc  
Hardware #E x 4pcs

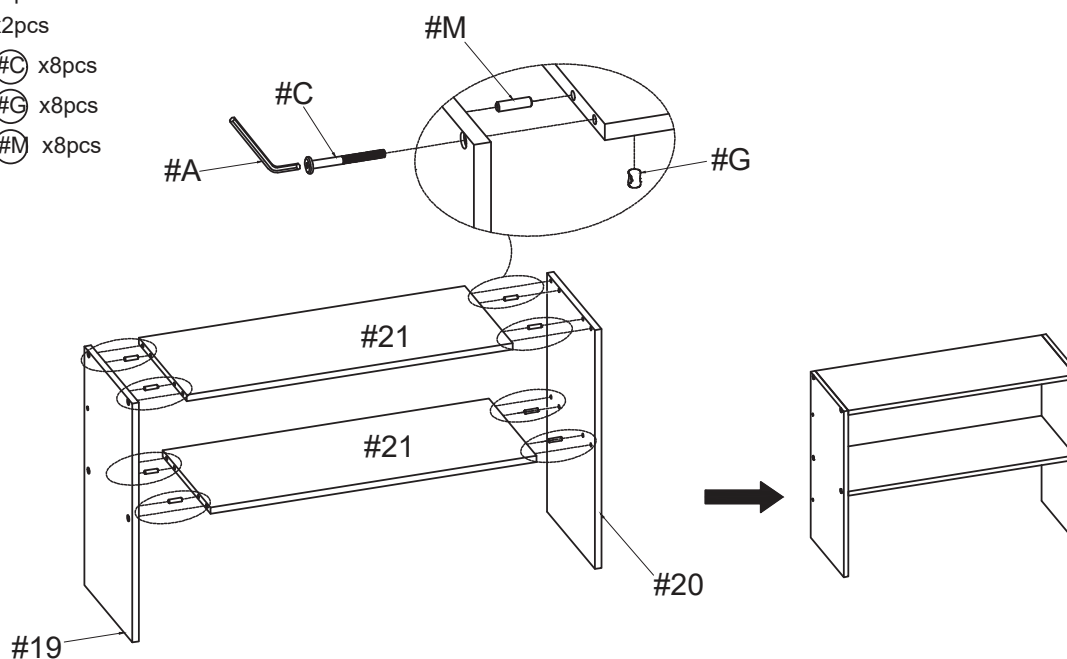
Align Back panel (#14)  
and secure using Short  
bolt (#E).



## 13

Part #19 x1pc  
Part #20 x1pc  
Part #21 x2pcs  
Hardware #C x8pcs  
Hardware #G x8pcs  
Hardware #M x8pcs

Insert the Barrel nut (#G) into the Shelf panel (#21).  
Use Dowel (#M) to align the parts (#19, #21, and  
#20) together and secure using Long Bolt (#C).

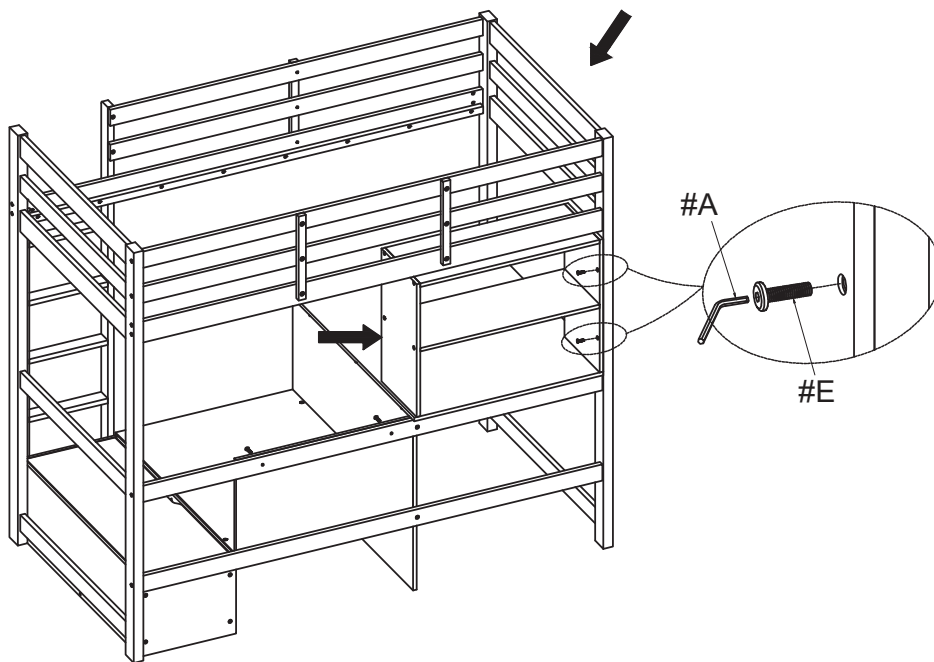


# ASSEMBLY INSTRUCTIONS

## 14

Hardware (#E) x2pcs

Align previous assembly over Top panel (#11) and secure to the back end of the headboard (#1) using Short bolt (#E).

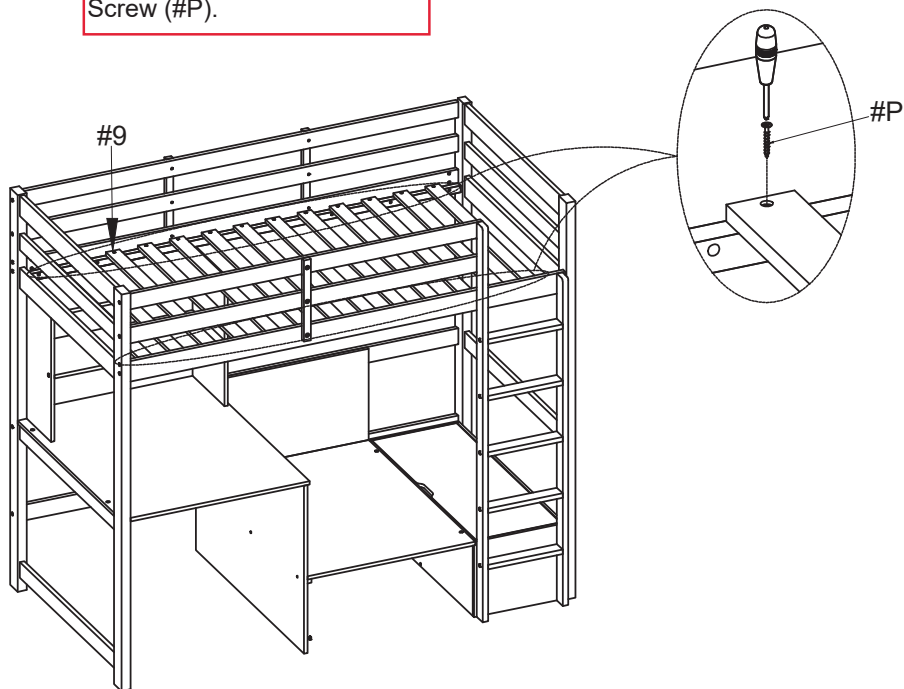


## 15

Part (#9) x1pc

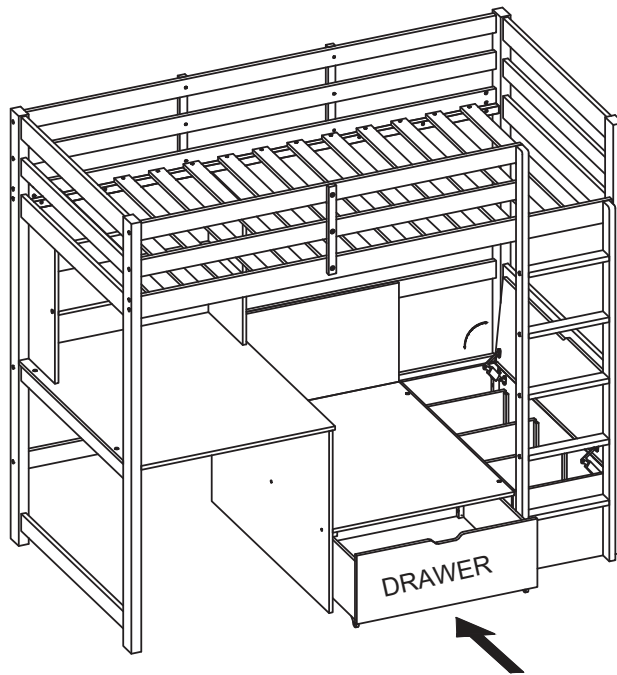
Hardware (#P) x 26pcs

Place and secure slats (#9) on the top bunk using Wood Screw (#P).



# ASSEMBLY INSTRUCTIONS

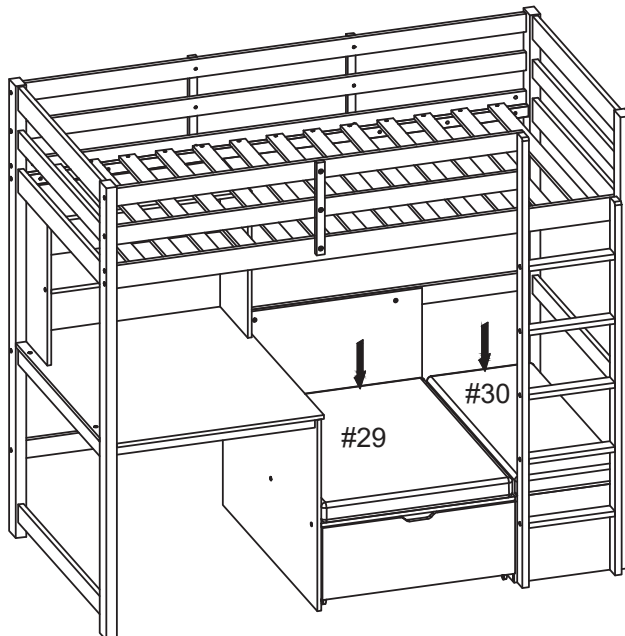
## 16



## 17

Part #29 x1pc

Part #30 x1pc



### ASSEMBLY COMPLETED



Please ensure the furniture rests on an even and flat surface. If the product wobbles or feels loose, double-check all bolts and/or screws are properly tightened and secured.

#### ✓ Keep this handy!

Please retain this instruction manual and any order-related information for future reference.

#### ✓ Lift, don't drag!

To avoid damage to product please always LIFT the product when transporting or adjusting the placement.

## Safety Warnings for Bunk Beds

1. Read and follow the information on the WARNINGS shown on the end structure of the upper bunk and on the carton.
2. Do not remove warning label from the bed.
3. Keep these instructions for future reference.
4. **IMPORTANT: Must use Bunkie mattress or Bunkie board.** The proper sizes for the **UPPER/LOWER TWIN-SIZE** Bunkie mattress or Bunkie board should be 74" long and 37½" - 38½" wide with no more than 6" thickness and for the **UPPER/LOWER FULL-SIZE** should be 74" long and 53" - 54" wide with no more than 6" thickness.
5. Surface of mattress must be at least 5 inches (127 mm) **BELOW** the upper edge of guardrails.
6. The **MAXIMUM** weight capacity for the upper bunk is not to exceed 175 lbs.
7. Do not allow children under 6 years of age to use the upper bunk.
8. Periodically check and ensure that the guardrails, ladder, handle and other components are in their proper position, free from damage, and that all connectors are tightened and secured.
9. **DO NOT** allow horseplay, rough playing or jumping on the beds and do not allow playing or hiding under the beds.
10. Always use the ladder for entering or leaving the upper bunk.
11. Do not use substitute parts. Contact the manufacturer or dealer for replacement parts.
12. Use of a nightlight may provide added safety precaution for a person using the upper bunk.
13. Always use the guardrails on both sides of the upper bunk.
14. If the bunk bed will be placed next to a wall, the guardrail that runs the full length of the bed should be placed against the wall to prevent entrapment between the bed and the wall.
15. The use of water or sleep flotation mattresses is prohibited.
16. No more than one person is allowed on the upper bunk at all times.



## **WARNING: STRANGULATION HAZARD**

Never attach or hang objects to any part of the bunk bed that are not designed for use with the bed. Objects such as hanger, hook, belt, bag, rope, string, etc. should not be used on or around the bunk bed.