

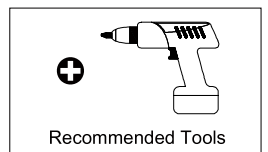
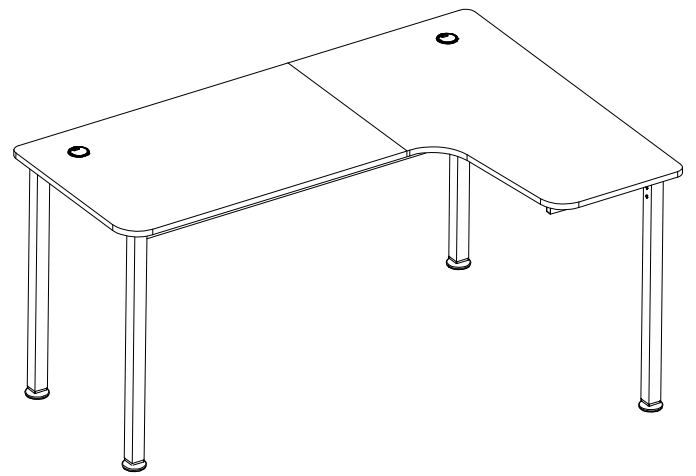
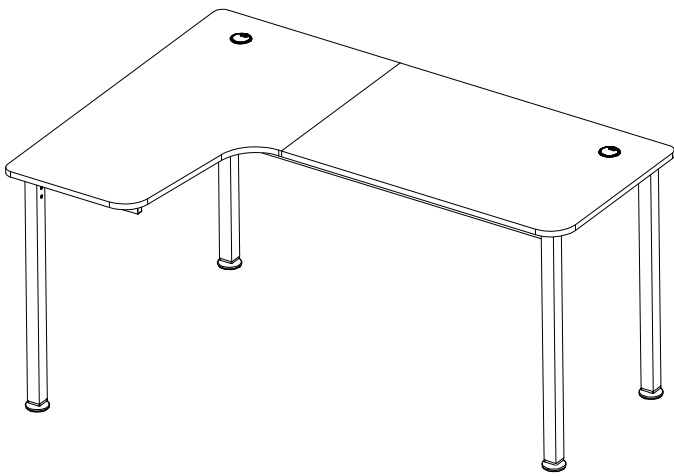


Please choose the installation method according to the product you have bought.

# LEFT OR RIGHT

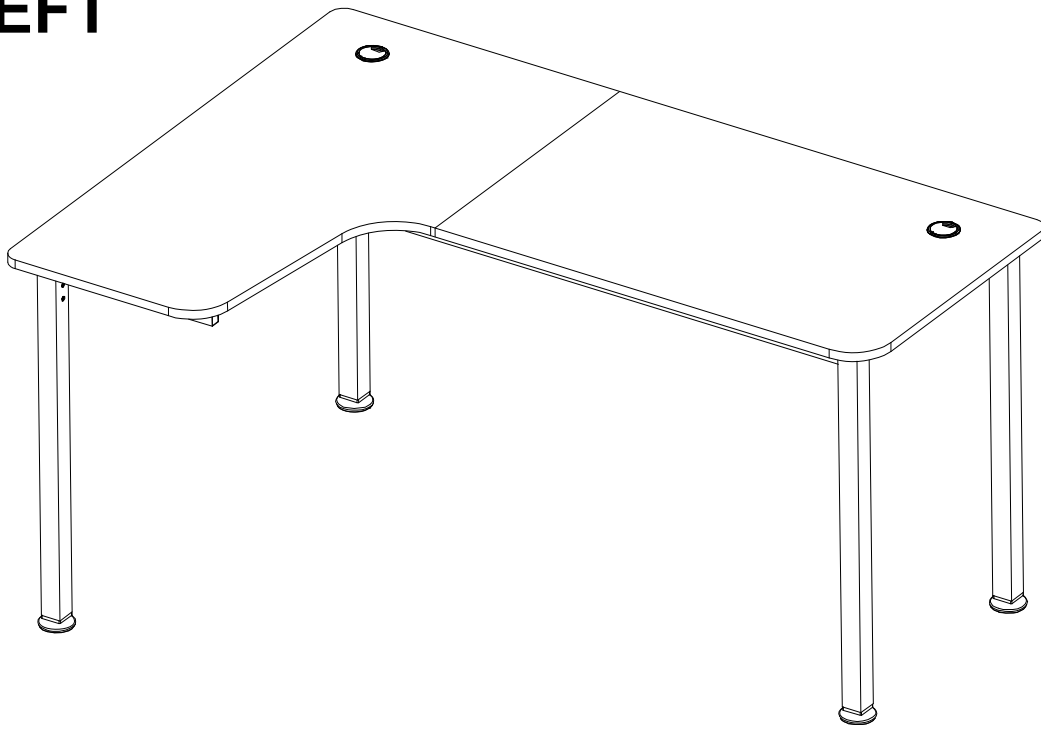
(Page1~Page3)

(Page4~Page6)



**Caution:** This instruction manual is intended for universal reference, slight variations in part dimensions are normal.

# LEFT



## COMPONENT

1



X28

2



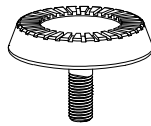
X10

3



X1

4



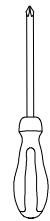
X4

5



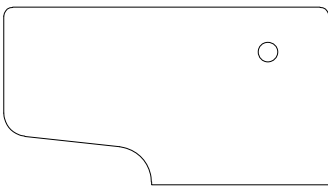
X1

6



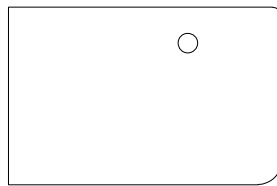
X1

P1



X1

P2



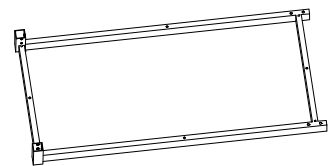
X1

P3



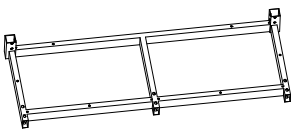
X2

P4



X1

P5



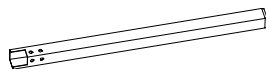
X1

P6



X2

P7



X4

P8



X2

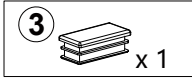
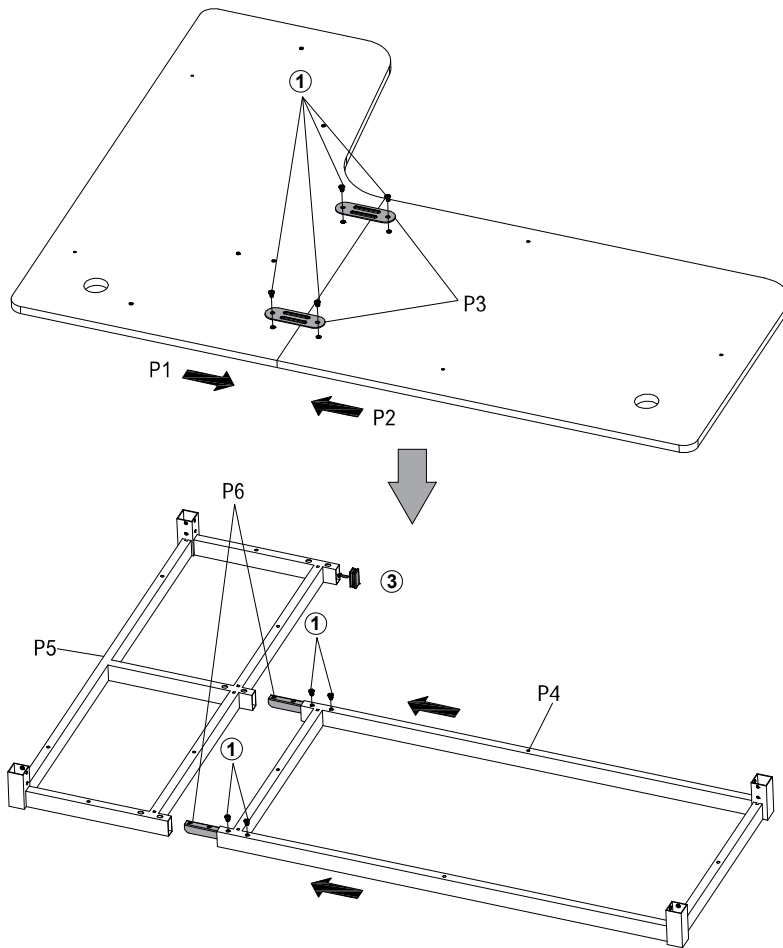
P9



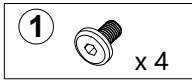
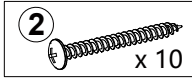
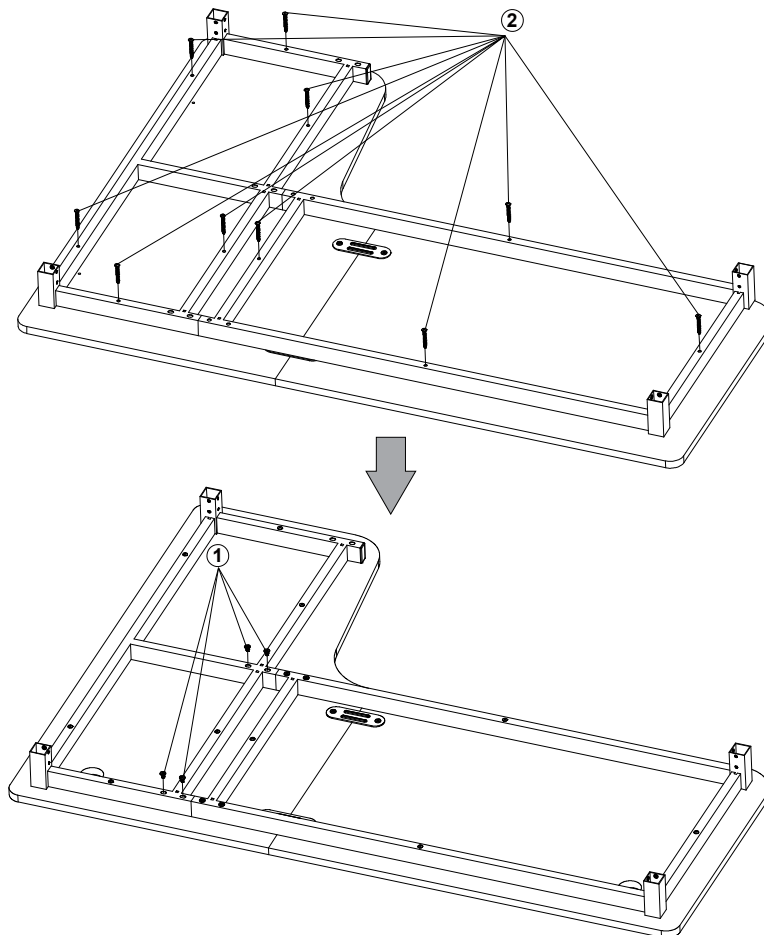
(Mousepad)

X1

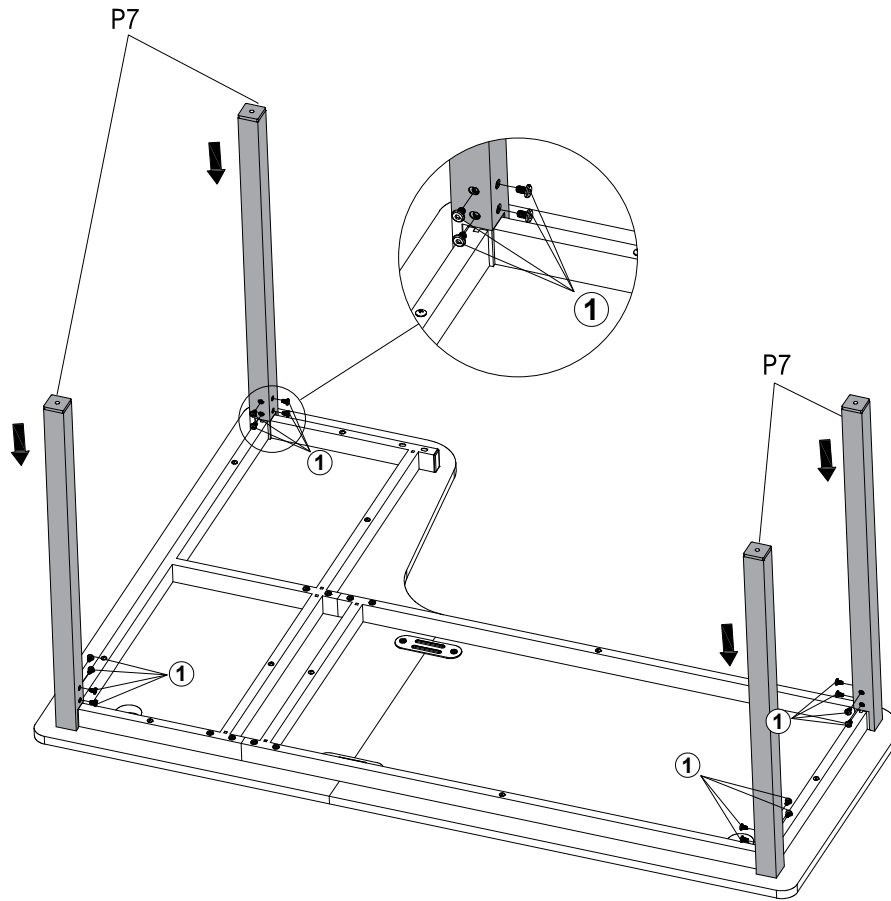
1



2

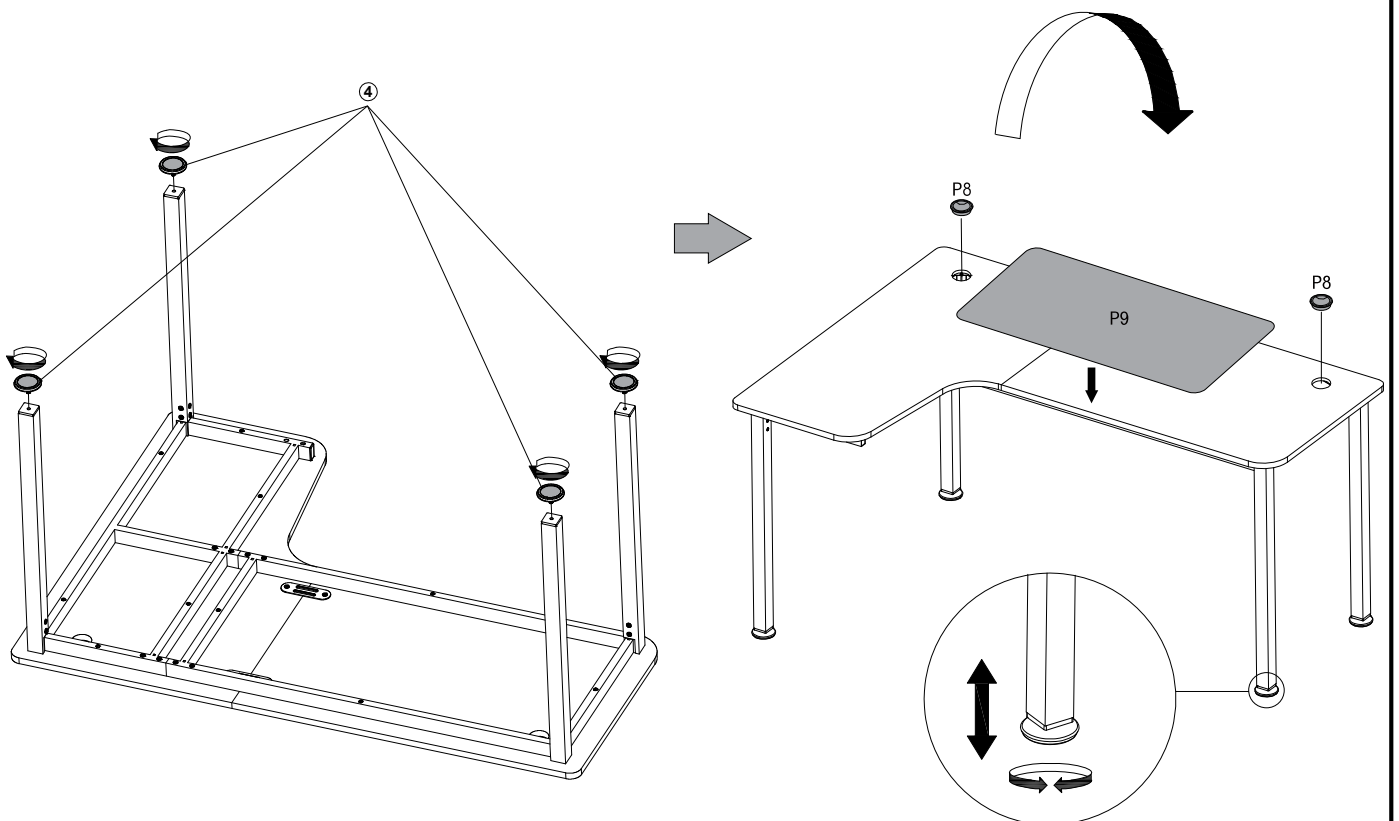


3



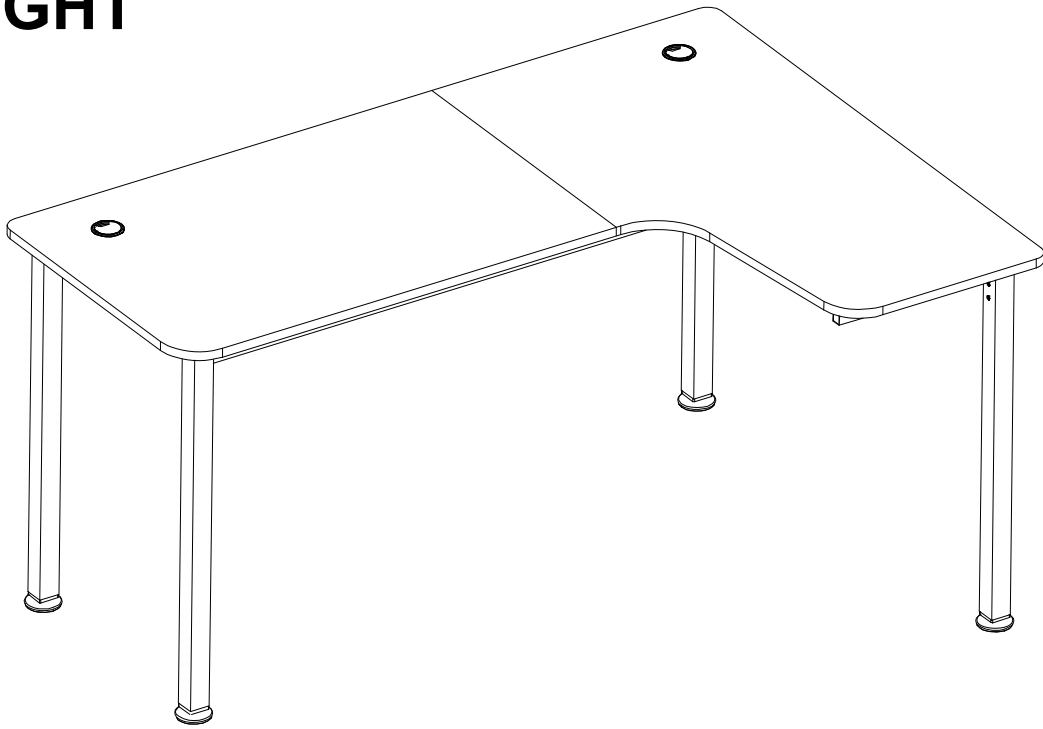
1 x 16

4



4 x 4

# RIGHT



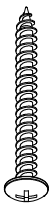
## COMPONENT

①



X28

②



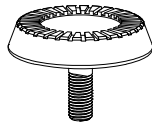
X10

③



X1

④



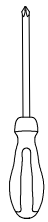
X4

⑤



X1

⑥



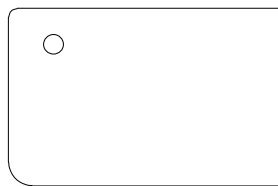
X1

P1



X1

P2



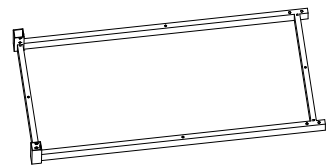
X1

P3



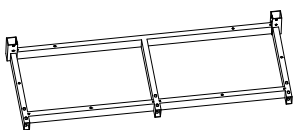
X2

P4



X1

P5



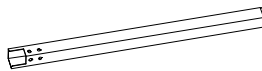
X1

P6



X2

P7



X4

P8



X2

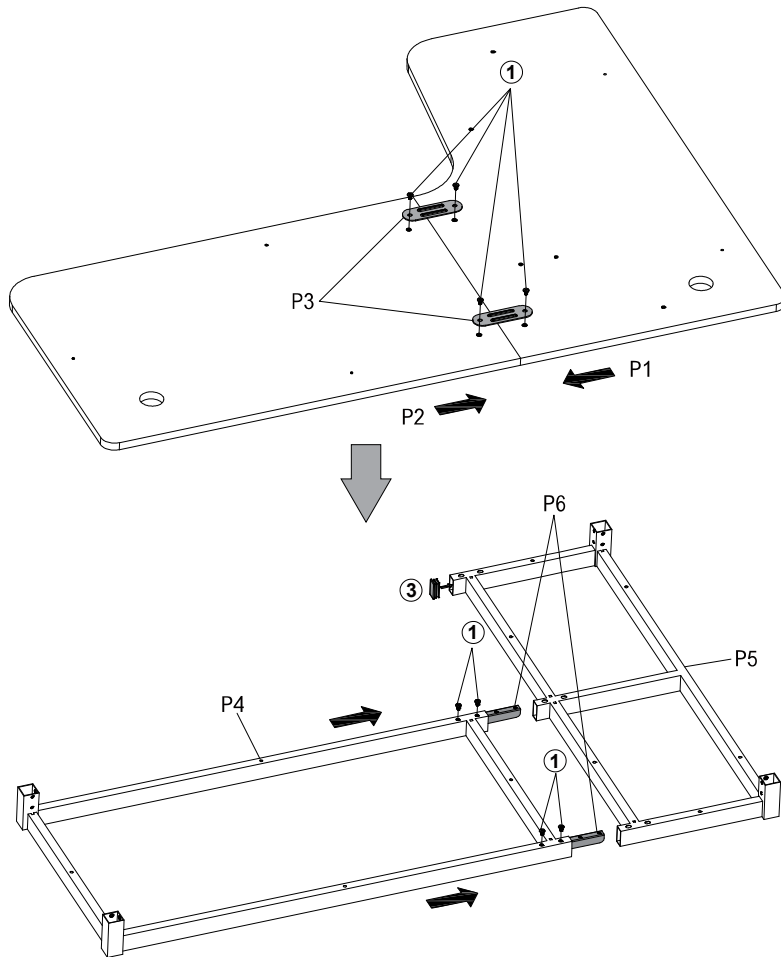
P9





(Mousepad)

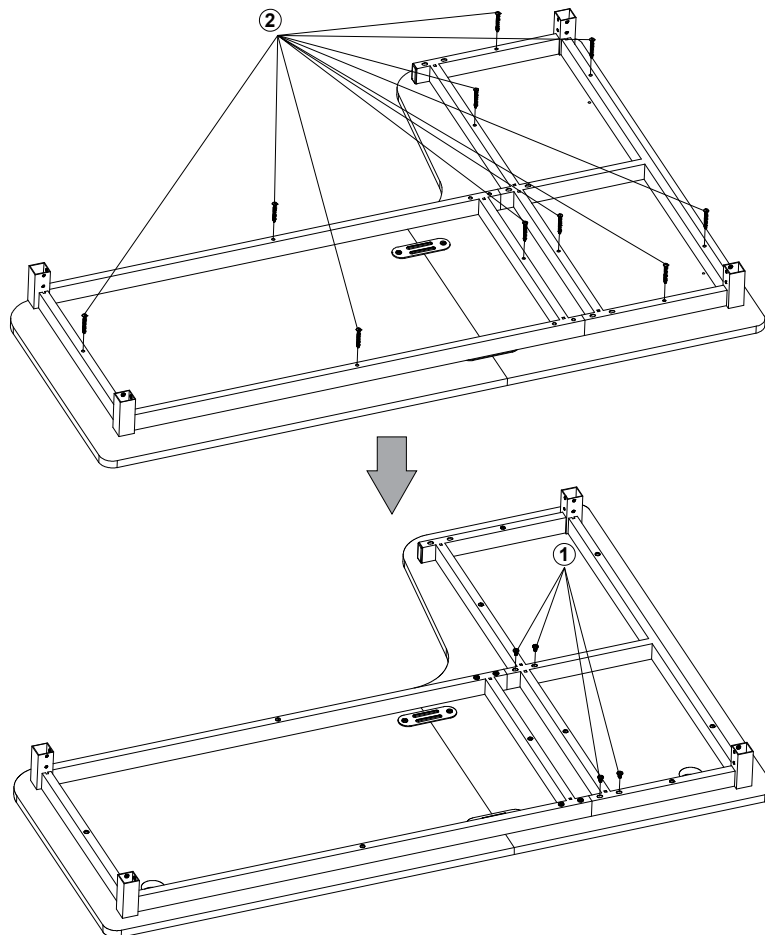
X1



1



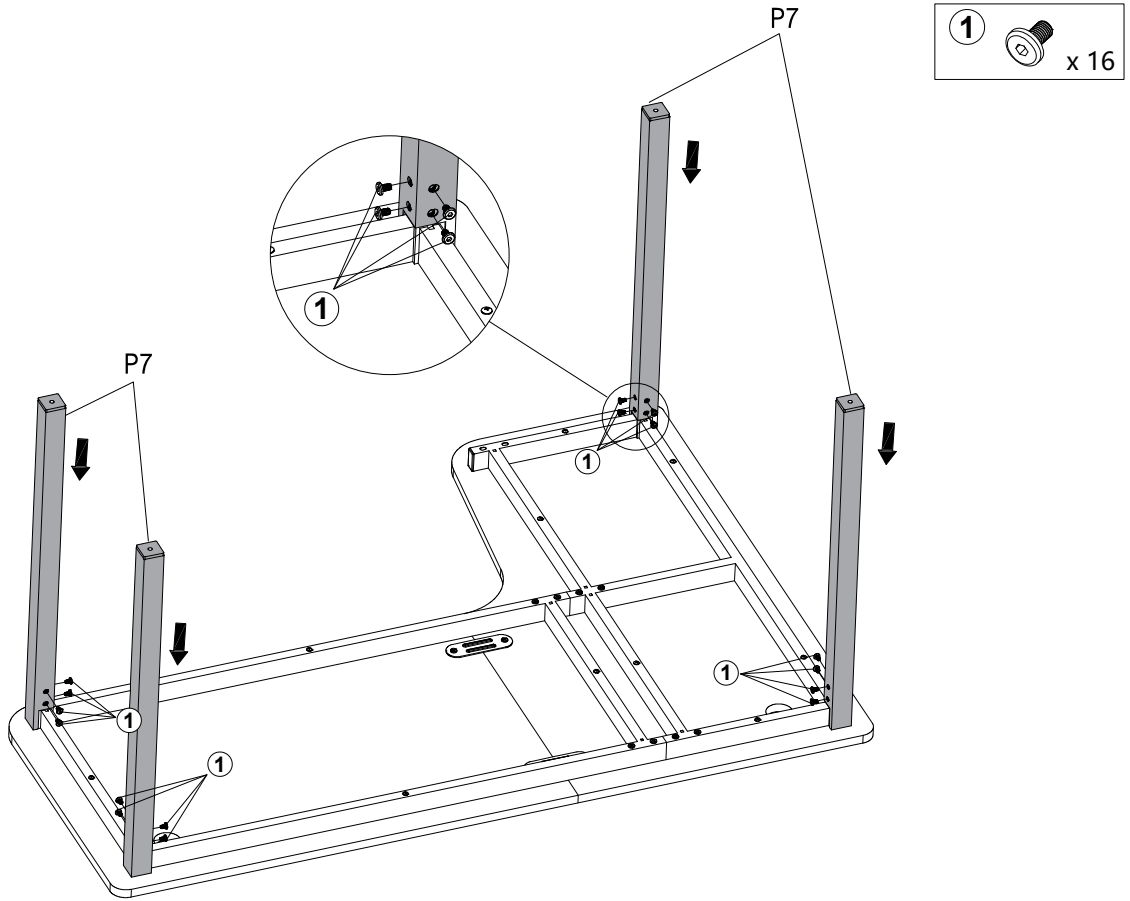
- ①  x 8
- ③  x 1

2



- ②  x 10
- ①  x 4

3



4

