

# *ASSEMBLY INSTRUCTIONS*



*Fine Furniture for every stage of life*



# ASSEMBLY INSTRUCTIONS

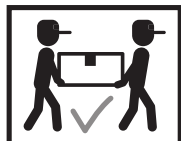
## ASSEMBLY TIPS:

1. Remove hardware from box and sort by size.
2. Please check to see that all hardware and parts are present prior to start of assembly.
3. Please follow attached instructions in the same sequence as numbered to assure fast & easy assembly.



### WARNING!

1. Don't attempt to repair or modify parts that are broken or defective. Please contact the store immediately.
2. This product is for home use only and not intended for commercial establishments.

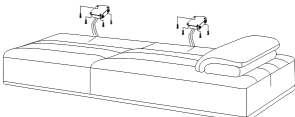





ASSEMBLY TIME

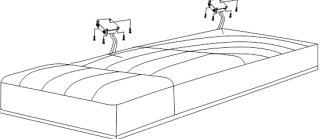
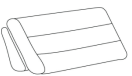



3 MINUTES

## PARTS IDENTIFICATION




### B1(BOX1)

<p><b>A</b> SOFA BASE  1PC</p> <p><b>C</b> SOFA LARGE LEG FRAME  2PCS</p>	<p><b>B</b> SOFA BACK CUSHION  2PCS</p> <p><b>D</b> MIDDLE LEG  1PC</p>
---	---

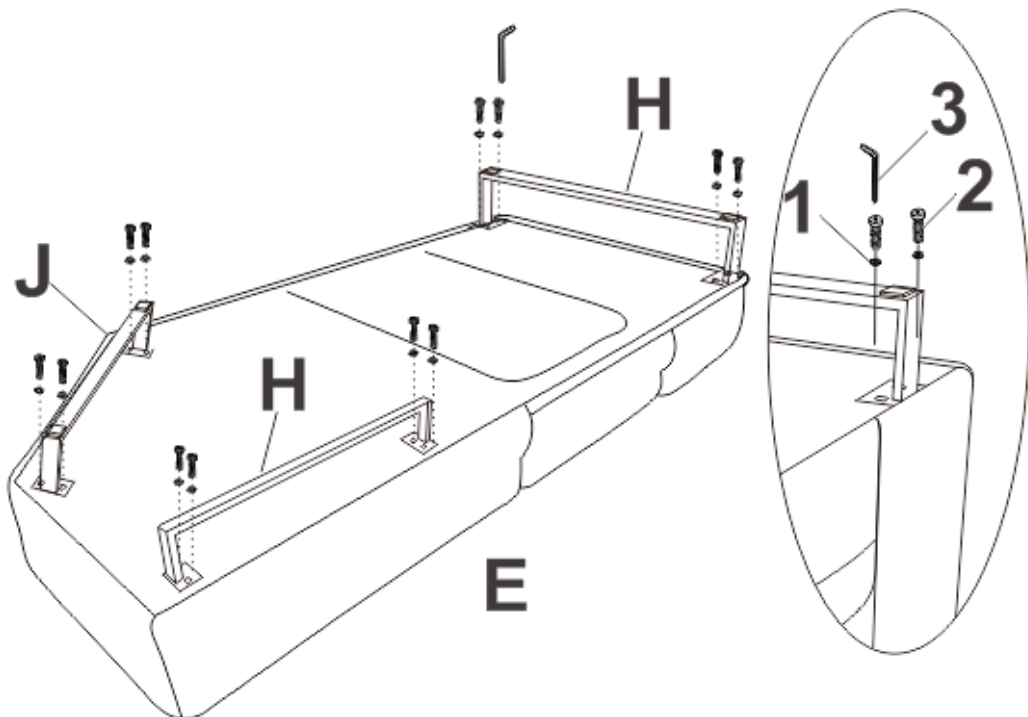
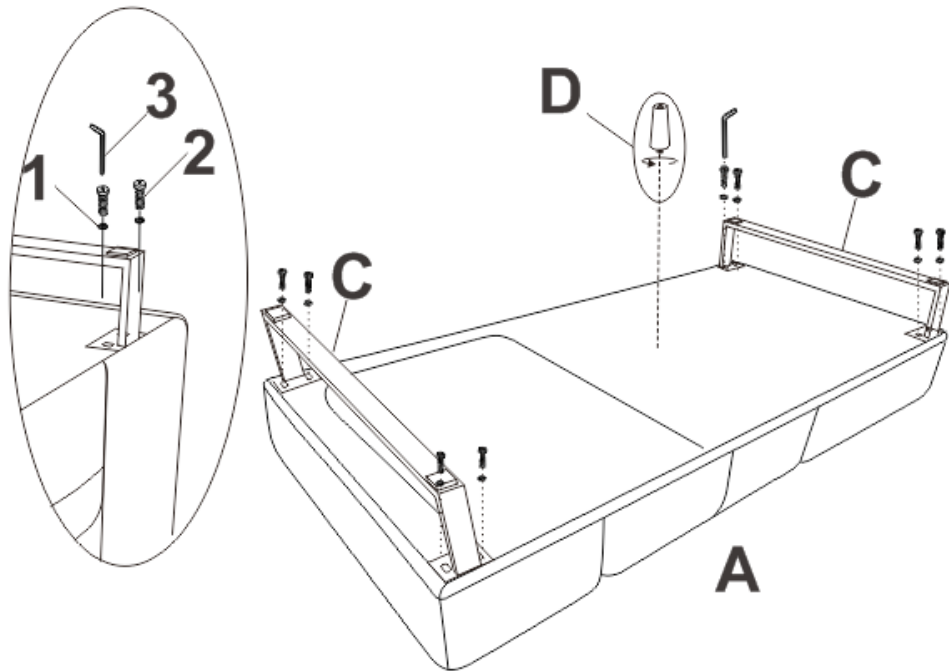
### B2(BOX2)

<p><b>E</b> CHAISE BASE  1PC</p> <p><b>G</b> SMALL BACK CUSHION  1PC</p> <p><b>J</b> SMALL LEG FRAME  1PC</p>	<p><b>F</b> LARGE BACK CUSHION  1PC</p> <p><b>H</b> CHAISE LARGE LEG FRAME  2PCS</p>
--	--

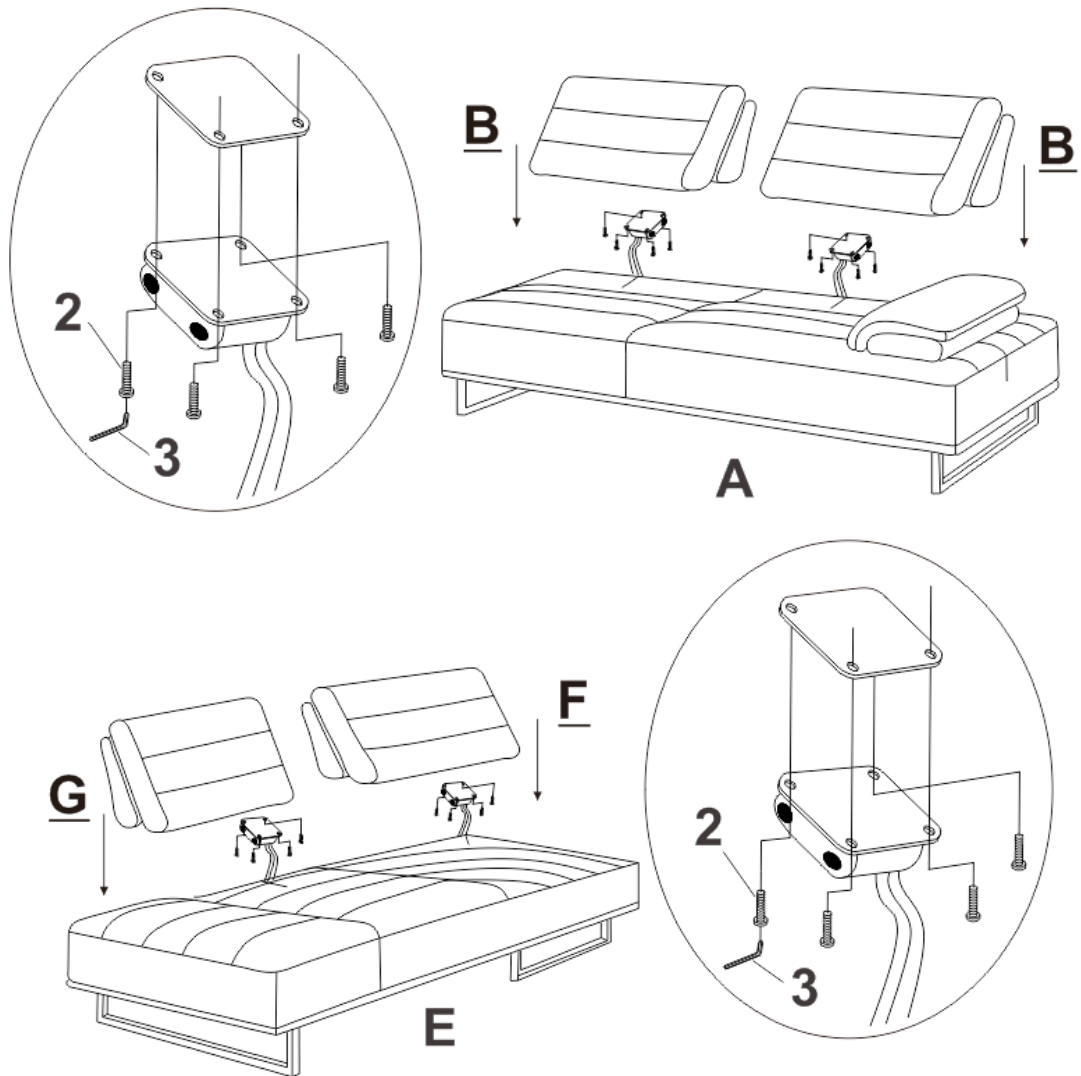
## Z HARDWARE IDENTIFICATION

<p><b>1</b> WASHER  <math>\varnothing 0.6\text{cm}</math> 20PCS</p> <p><b>3</b> WRENCH  <math>\varnothing 0.6\text{cm}</math> 4PCS</p>	<p><b>2</b> BOLT  0.6X30cm 36PCS</p>
--	---

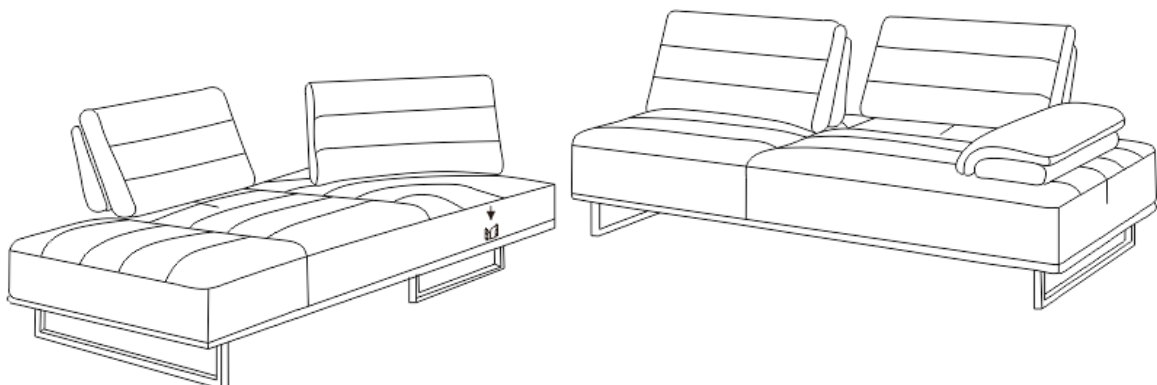
# STEP 1

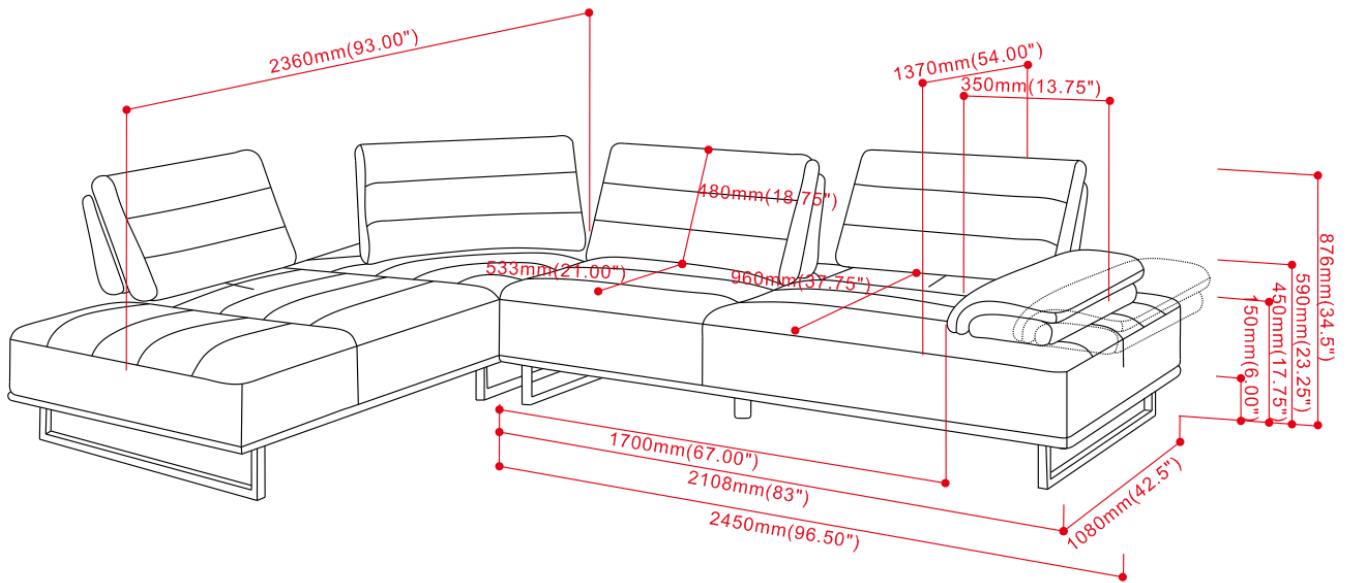


## STEP 2



## STEP 3





**Note: Dimension tolerance  $\pm 5\%$**