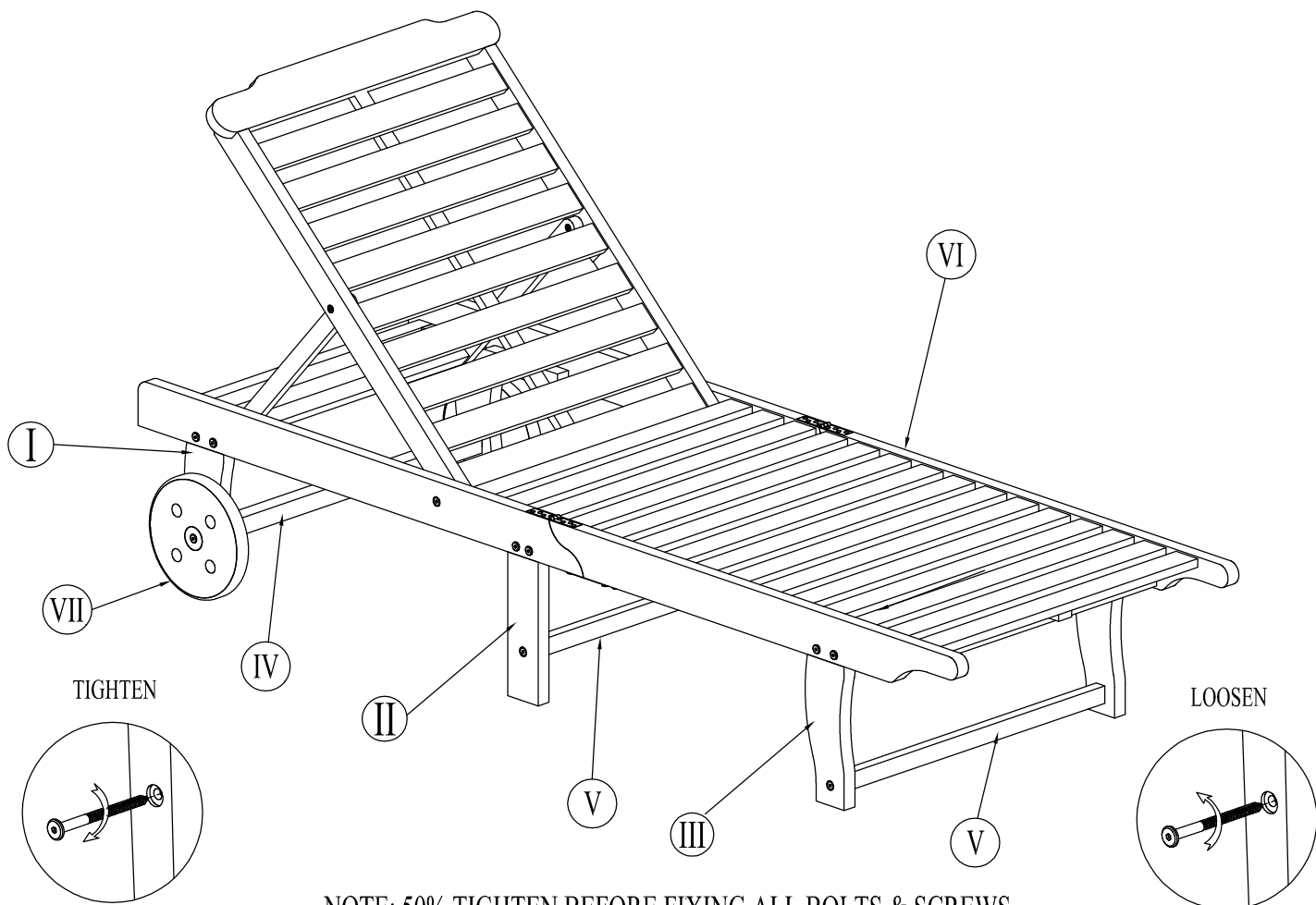



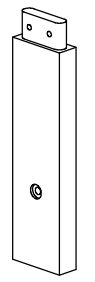
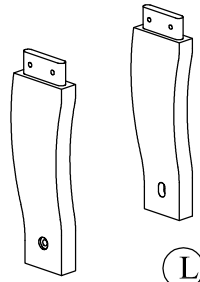
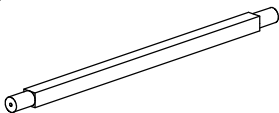
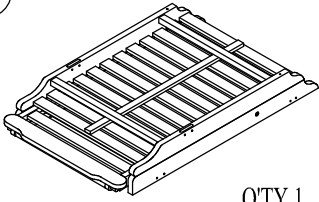
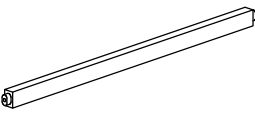
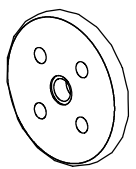
Maximum capacity : 110 kgs/242 Lbs





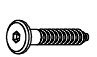
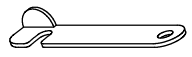





NOTE: 50% TIGHTEN BEFORE FIXING ALL BOLTS & SCREWS

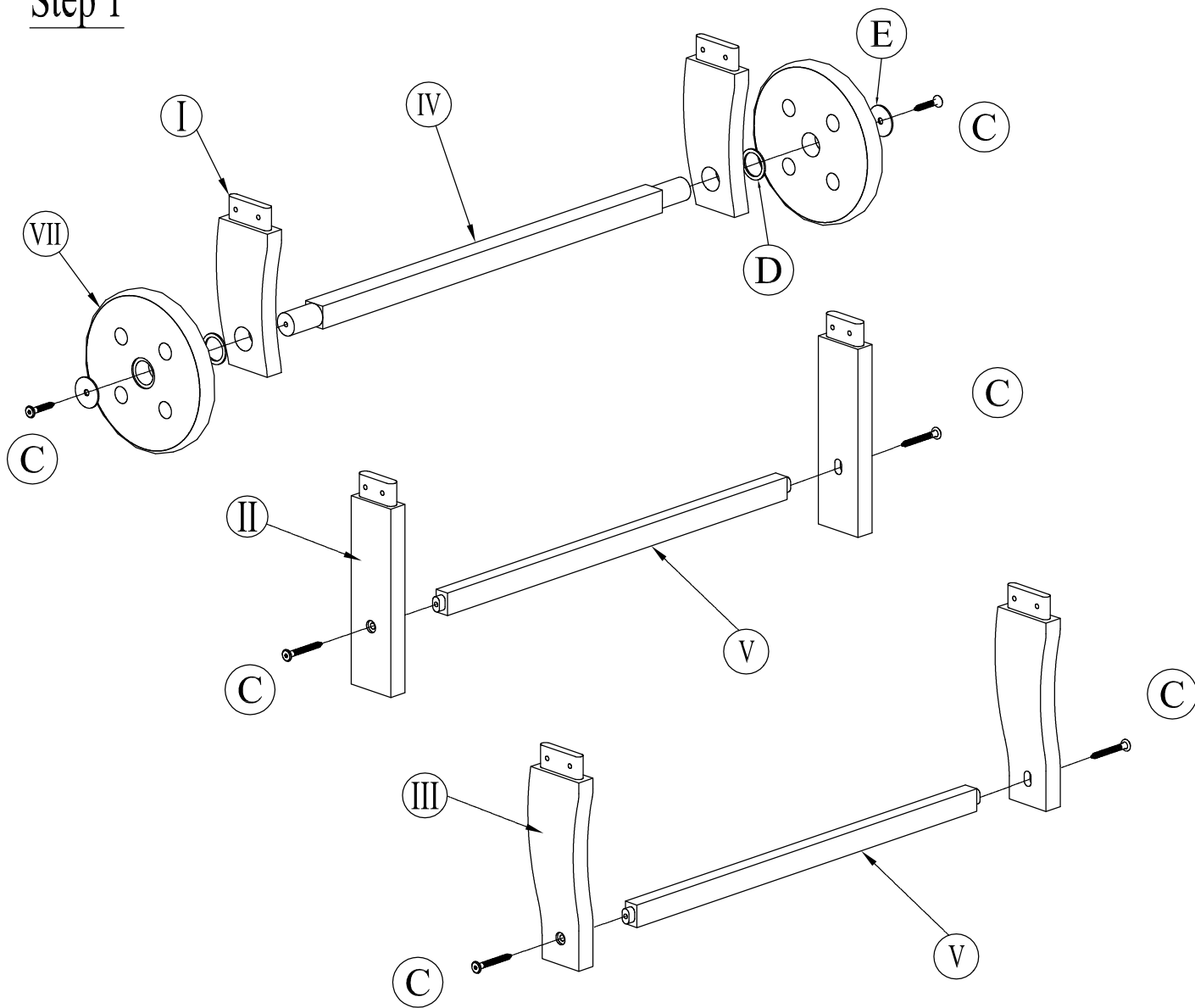
COMPONENTS LIST

 <p>QTY 2</p>	 <p>QTY 2</p>	 <p>QTY 2 (Right & Left)</p>	 <p>QTY 1</p>	 <p>QTY 1</p>
			 <p>QTY 2</p>	 <p>QTY 2</p>

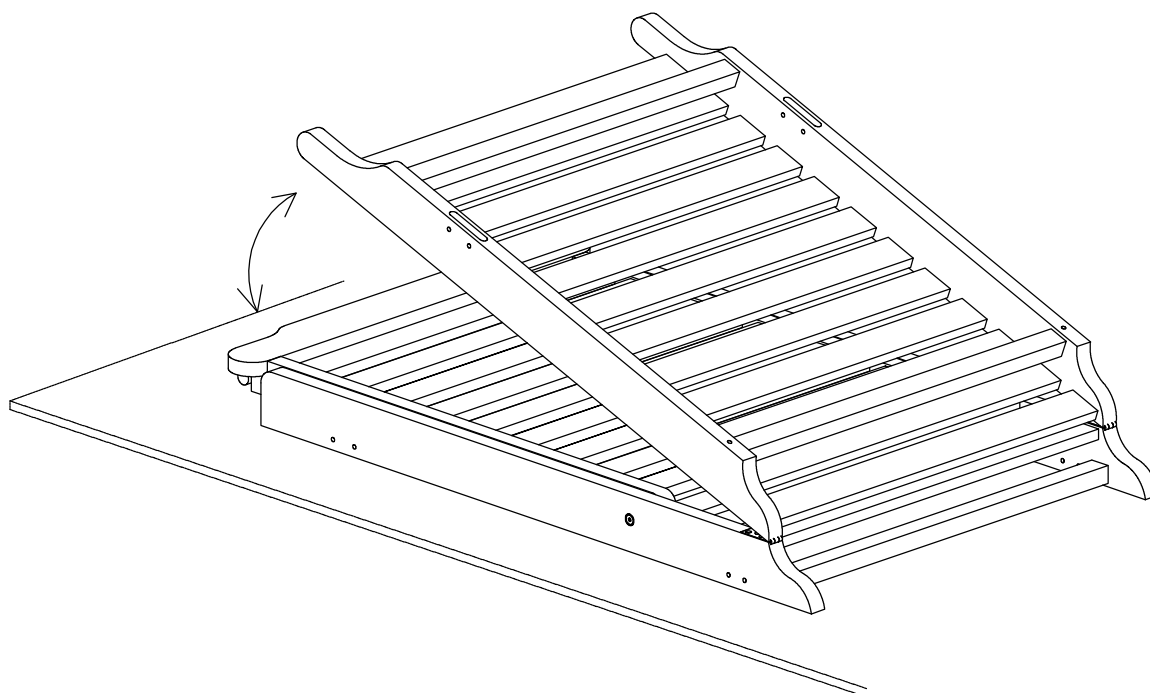
HARDWARE LIST

A		12	Screw 7x20	E		2	Washer
B		4	Screw 7x30	F		2	Metal Locker
C		6	Screw 7x60	G		2	Allen Key
D		2	Washer				

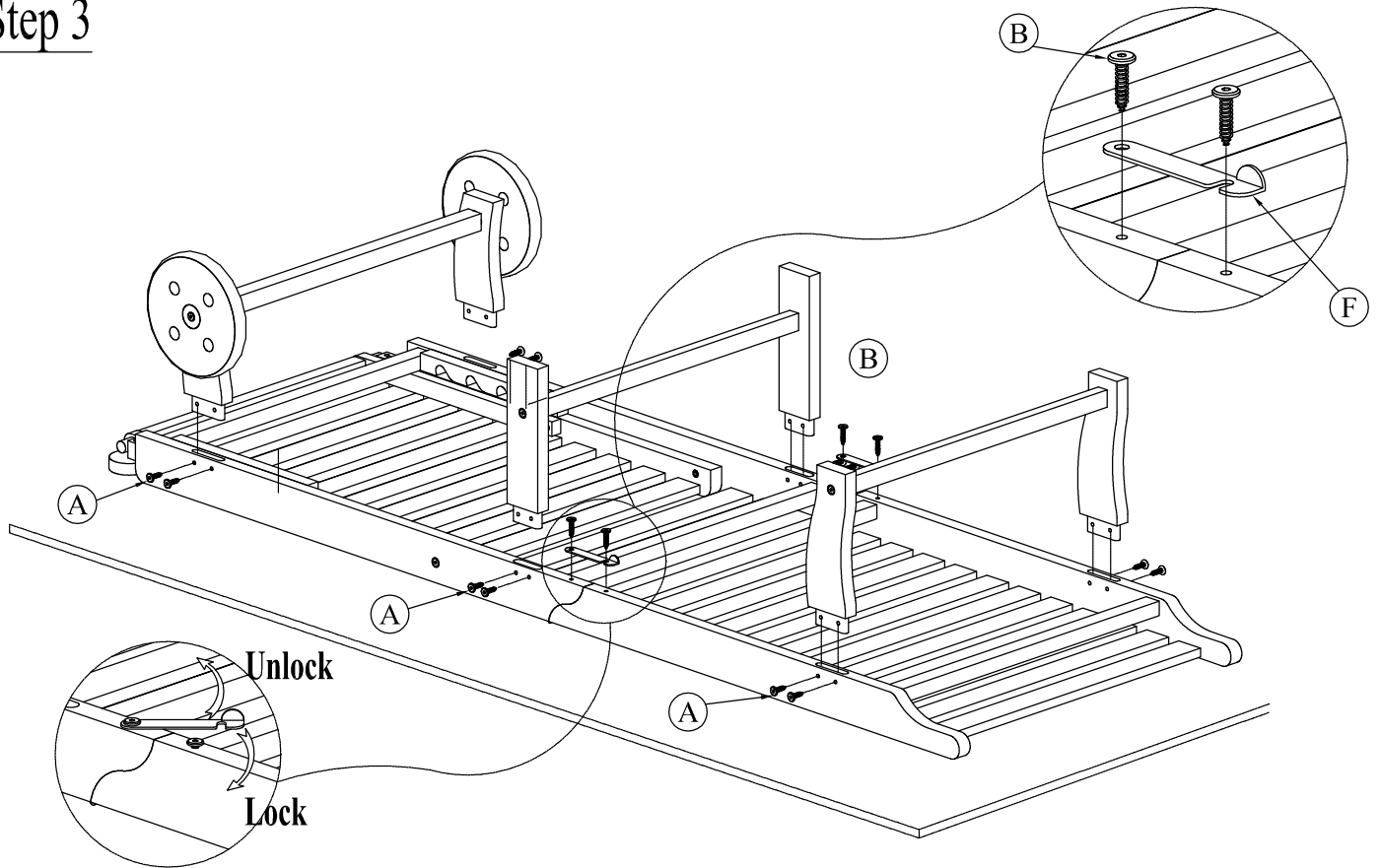
Step 1



Step 2

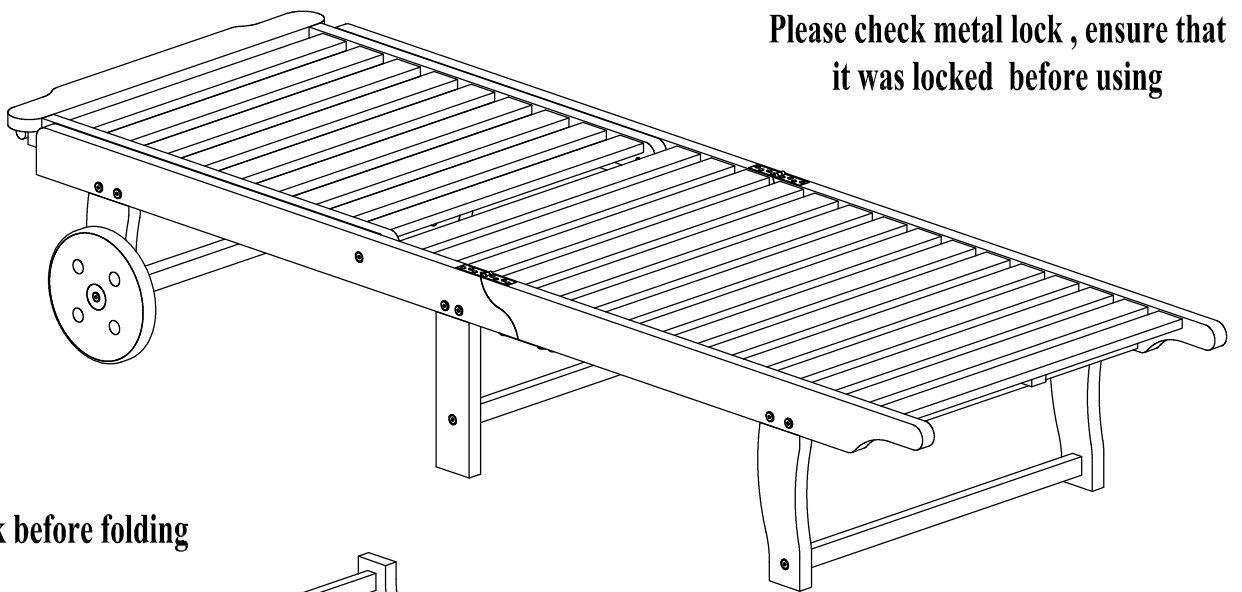


Step 3



Step 4

Please check metal lock , ensure that it was locked before using



Please unlock before folding

