

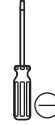
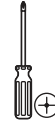
## ASSEMBLY INSTRUCTIONS



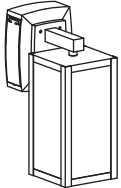
### CAUTION

- Inspect the wire insulation for any cuts, abrasions or exposed copper that may have resulted during shipping. If there is a defect in the wire, do not attempt installation.
- Before starting installation of this fixture or removal of a previous fixture, disconnect the power by turning off the circuit breaker or by removing the fuse at the fuse box.

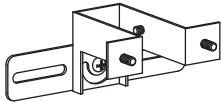
### TOOLS REQUIRED



### HARDWARE INCLUDED



Fixture



Mounting Unit



Ball Nuts



Rubber Rings



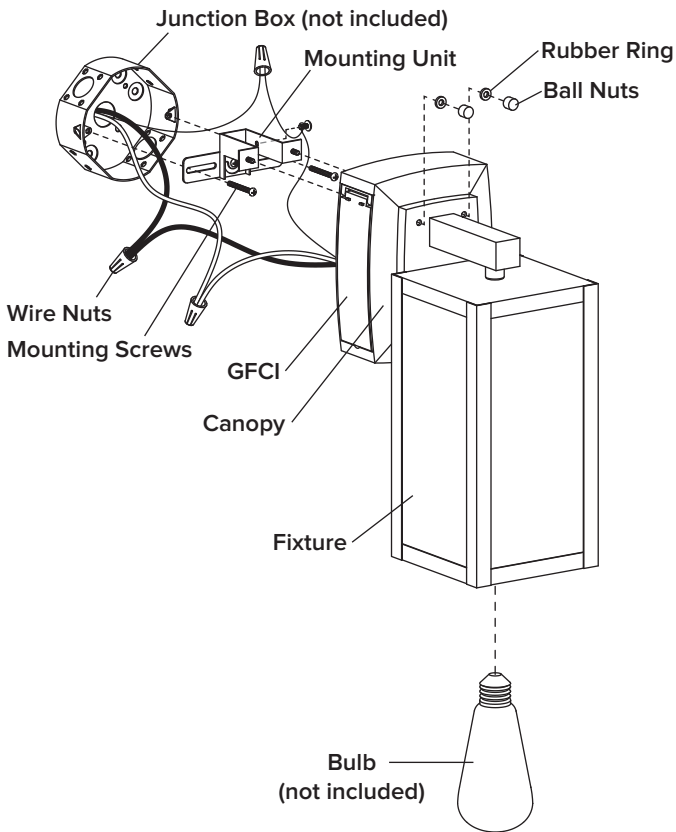
Mounting Screws



Wire Nuts

\* PARTS SHOWN MAY DIFFER SLIGHTLY PER LIGHT FIXTURE

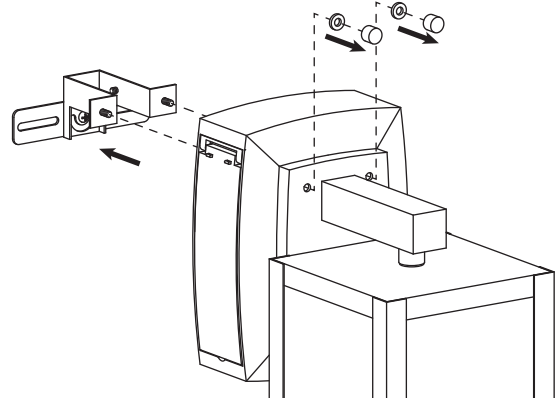
### EXPLODED PARTS



### INSTALLATION

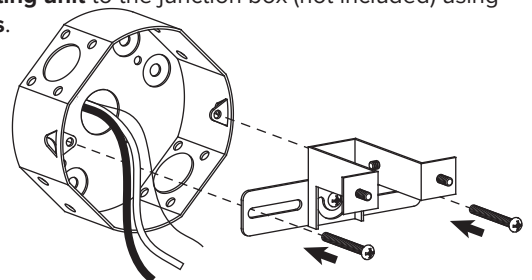
#### STEP 1

Unscrew the **ball nuts**, and remove the **rubber rings**. Detach the **mounting unit** from the back side of the **canopy**.



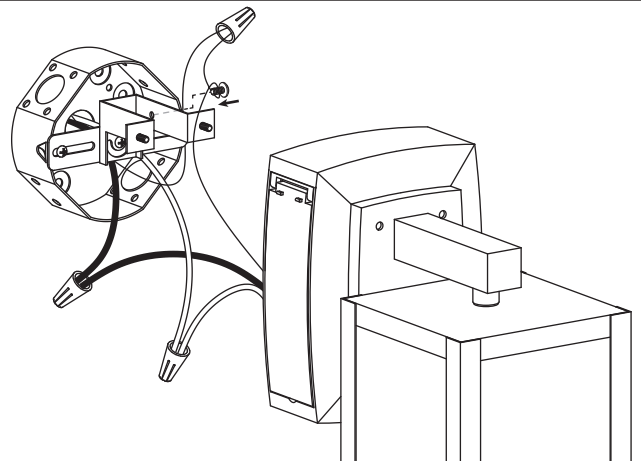
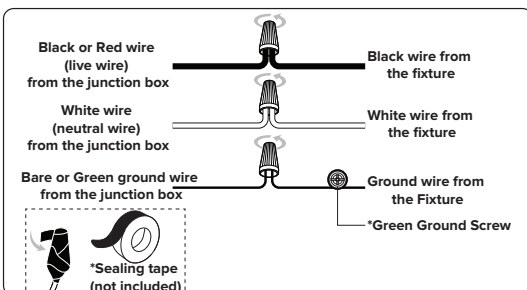
#### STEP 2

Attach the **mounting unit** to the junction box (not included) using **mounting screws**.



#### STEP 3

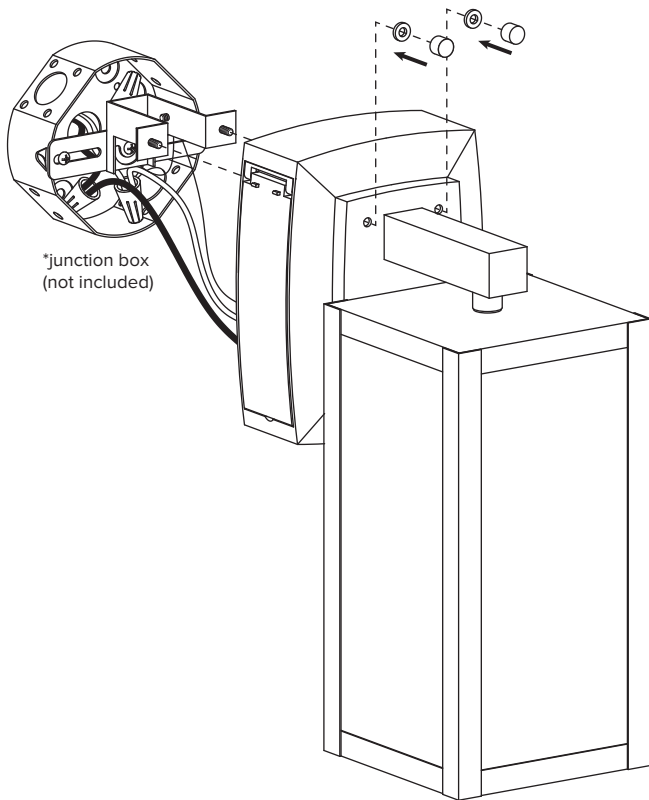
Make the electrical connection from the junction box (not included) to the **fixture**. Connect the ground wire to the **mounting unit** using the preinstalled green ground screw. Next, connect the live wire, neutral wire and ground wires with the supplied **wire nuts**. Secure with electrical tape.



## STEP 4

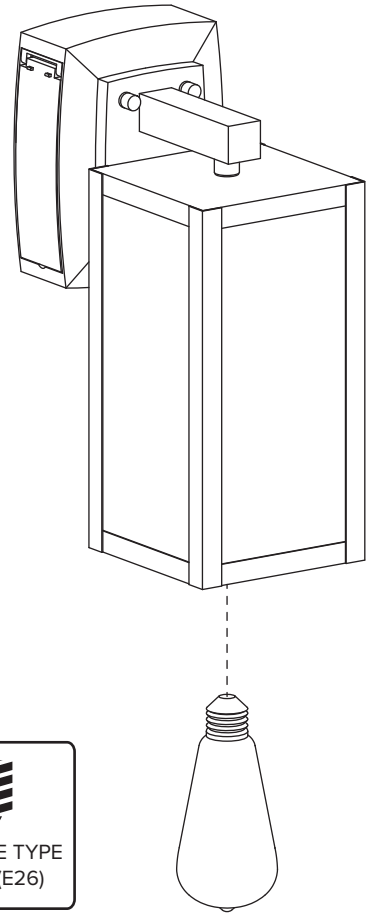
Attach the **fixture** to the **mounting unit** through screw holes as shown, and secure it with **rubber rings** and **ball nuts**.

**NOTICE:** After the installation, caulk upper and two sides of the mounting surface. Leave bottom uncaulked for drainage of any water that might have seeped into the canopy.



## STEP 5

Install bulb (not included).

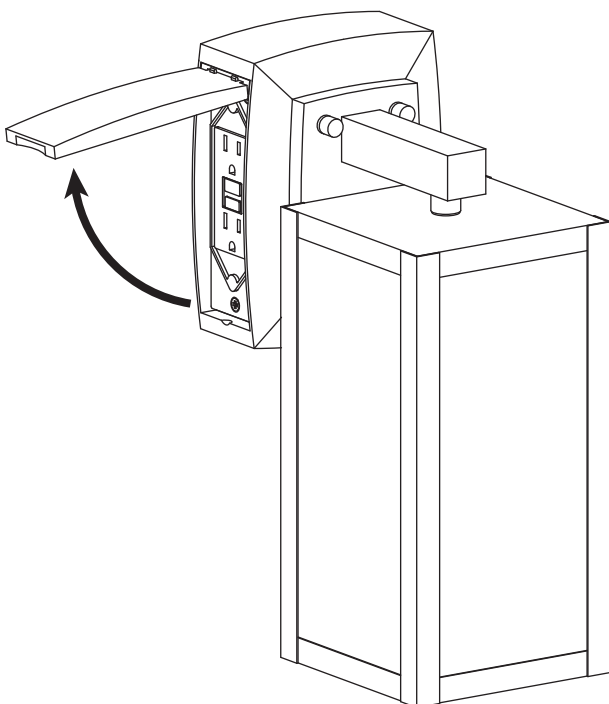


## STEP 6

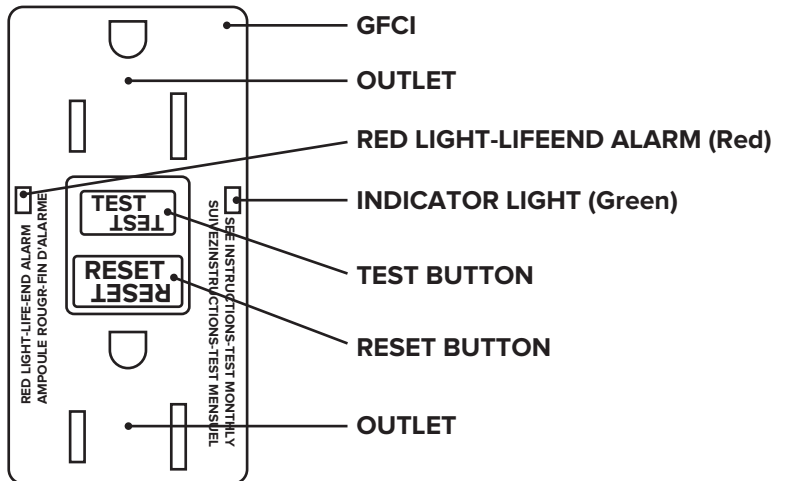
Turn on the power and check operation.



**WARNING** In order to avoid water accumulation in GFCI box on rainy days, always keep the GFCI box closed.



## OPERATING INSTRUCTIONS



### ● TEST BUTTON

Press the TEST button to test the device, which will stop the flow of electricity, and the RESET button will pop out.

### ● RESET BUTTON

Press the RESET button fully to restore the power, the green indicator LED will be on.

### ● END-OF-LIFE MONITORING FUNCTION

The GFCI includes an end-of-life monitoring function. Once the GFCI has been correctly wired and powered, the red LED will flash one time within 5 seconds, and the internal self-testing circuit will operate every 1~10 minutes. When the GFCI displays an alarm during its operation, the red light will turn on immediately, and it will no longer provide a ground fault circuit protection, reminding the user that the GFCI is end of life and must be replaced.

### ● ADDITIONAL NOTE

Press the TEST button (then RESET button) monthly to ensure a proper operation. If the green LED goes off when tripped, it means that the GFCI can still offer a ground fault circuit protection.