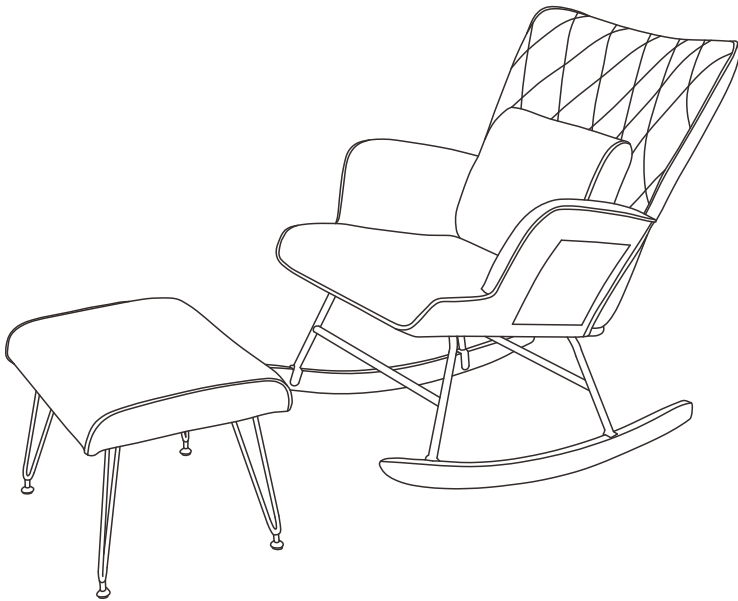


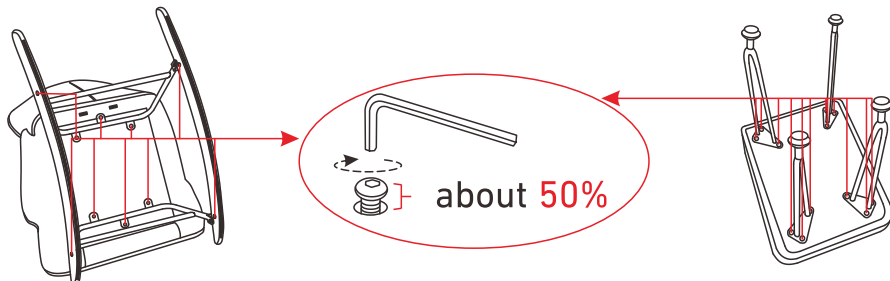
---

# Rocking Chair





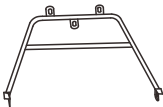


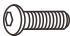



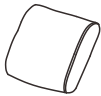




# Assembly Instructions

**Tips:** For optimal results, we recommend tightening the **all screws** to approximately **50%** before assembling the chair legs. This should ensure chair legs proper alignment and a secure fit.

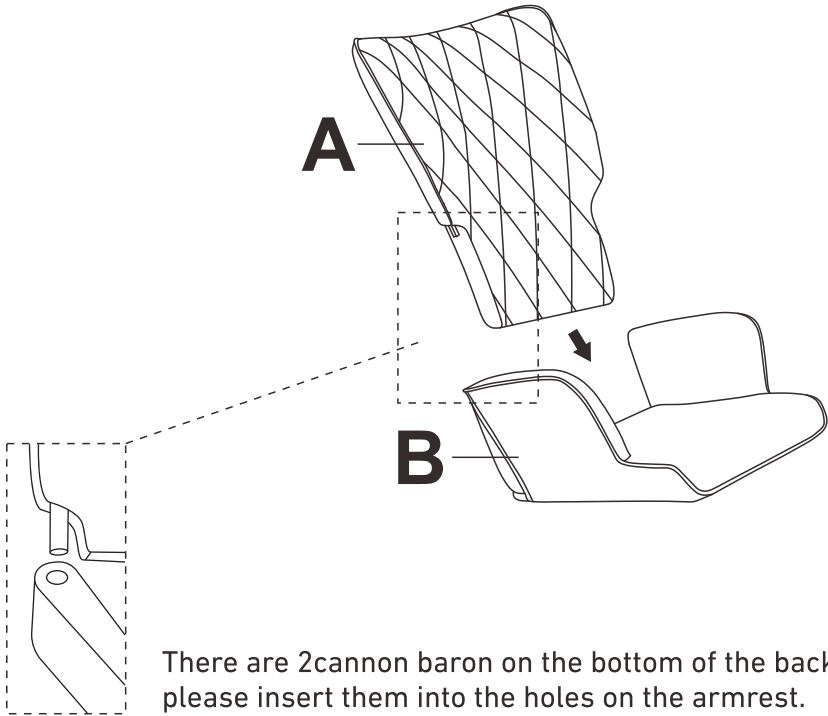


After installing the components, fully tighten the screws.

<b>A</b> Seat Back  x1	<b>B</b> Seat Bottom  x1	<b>C</b> Left Wooden Leg  x1	<b>D</b> Right Wooden Leg  x1	<b>E</b> Back Metal Frame  x1
<b>F</b> Front Metal Frame  x1	<b>G</b> Small Washers  x22	<b>H</b> Short Bolts  x22	<b>I</b> Long Bolts  x2	<b>J</b> Allen Wrench  x1
<b>K</b> Large Washers  x2	<b>L</b> Lumbar Pillow  x1	<b>M</b> Ottoman Cushion  x1	<b>N</b> Ottoman Legs  x4	

1

Line up the plugs of the SeatBack(A) with the holes on the armrests of Seat Bottom(B) .

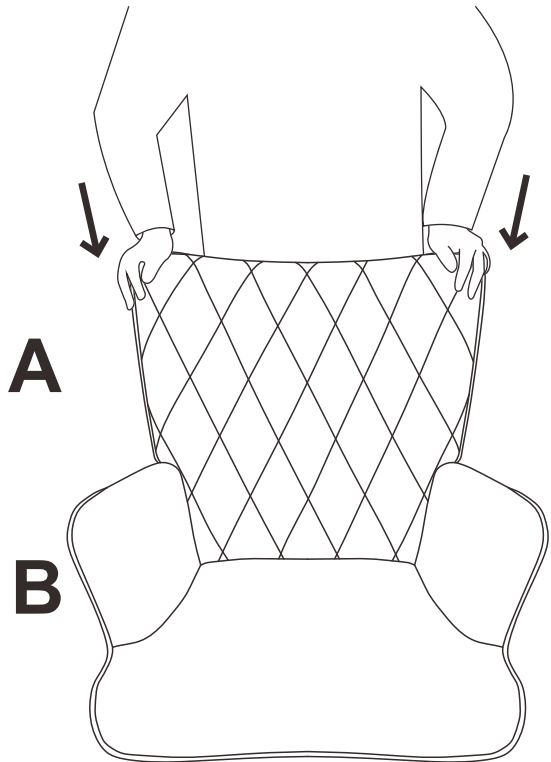


There are 2 cannon baron on the bottom of the back, please insert them into the holes on the armrest.

2

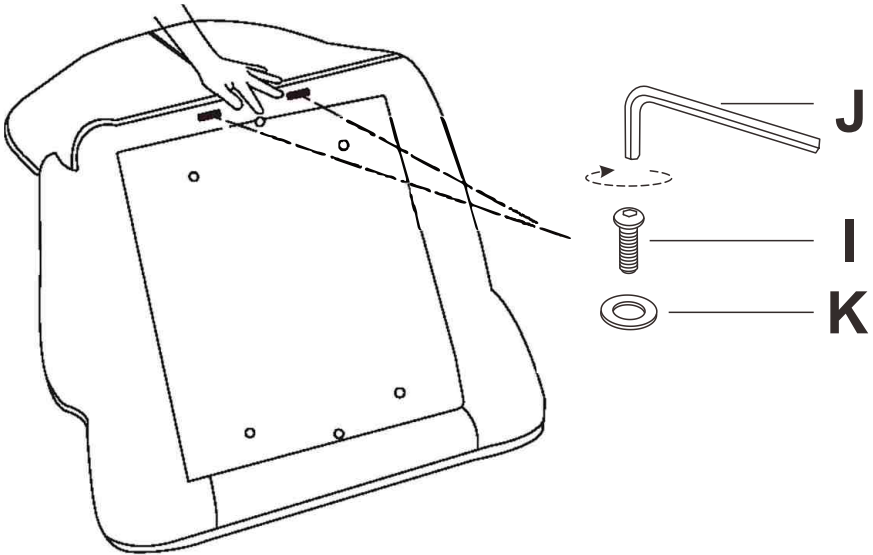
Align the Seat Back(A) with two arms, and insert the Seat Back(A) to the Seat Bottom(B) .

Hold the backrest and  
press down



3

Make sure the back and the bottom tight fit, then draw the bolts in, then tighten.

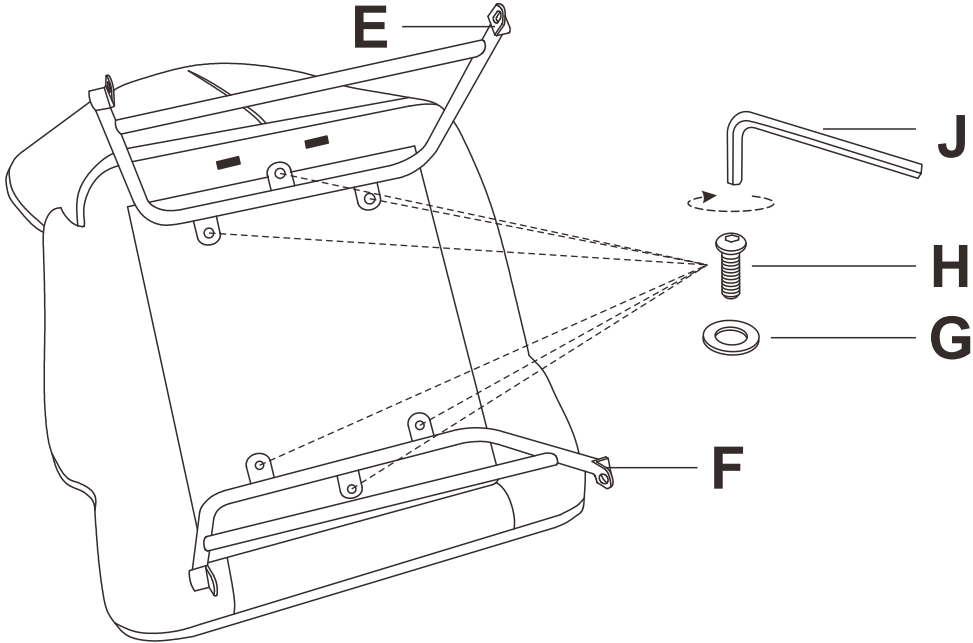


**K**  2PCS

**I**  2PCS

**4**

Insert nearly half of all bolts into below position first, then tighten all bolts.

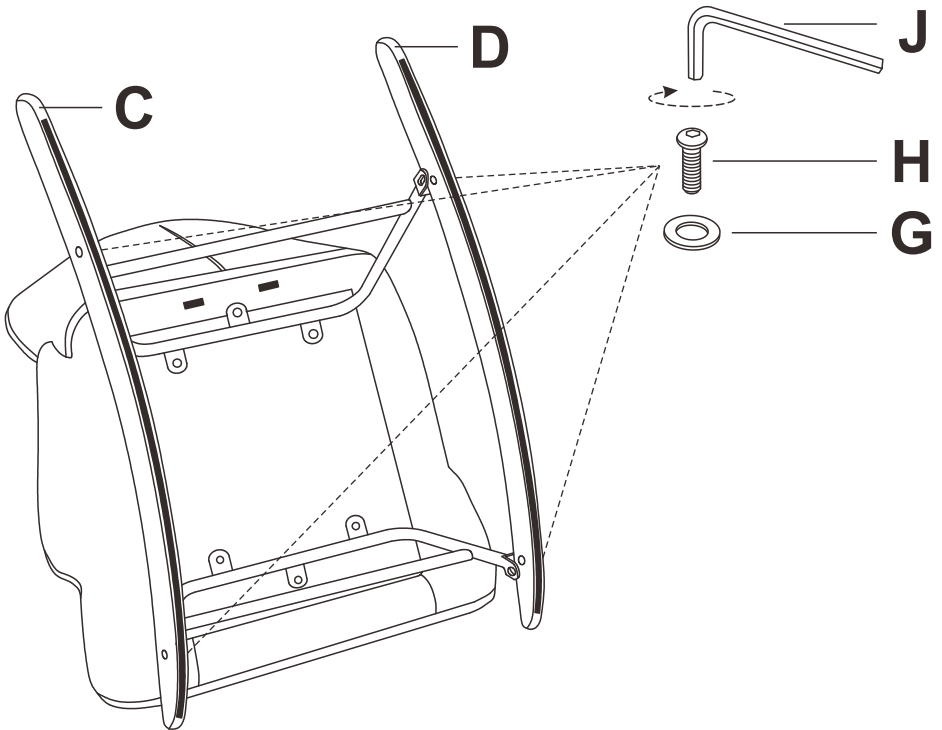


**H**  6PCS

**G**  6PCS

5

Make sure the longer side of C and D is facing the back of the chair. Then tighten all the bolts.

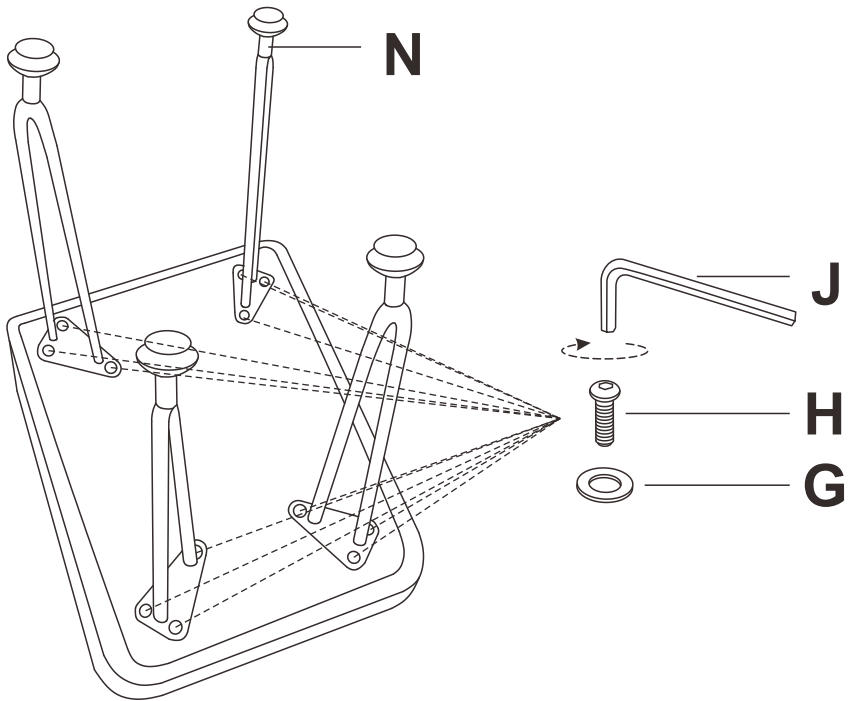


**H**  4PCS

**G**  4PCS

6

Use bolts(H) and washers(G) to connect the ottoman legs with ottoman cushion.



**H**  12PCS

**G**  12PCS

---

7

After assembly, please check that all bolts are tight

