

# Dining Table

Assembly Instructions - Please keep for future reference

## Safety and Care Advice

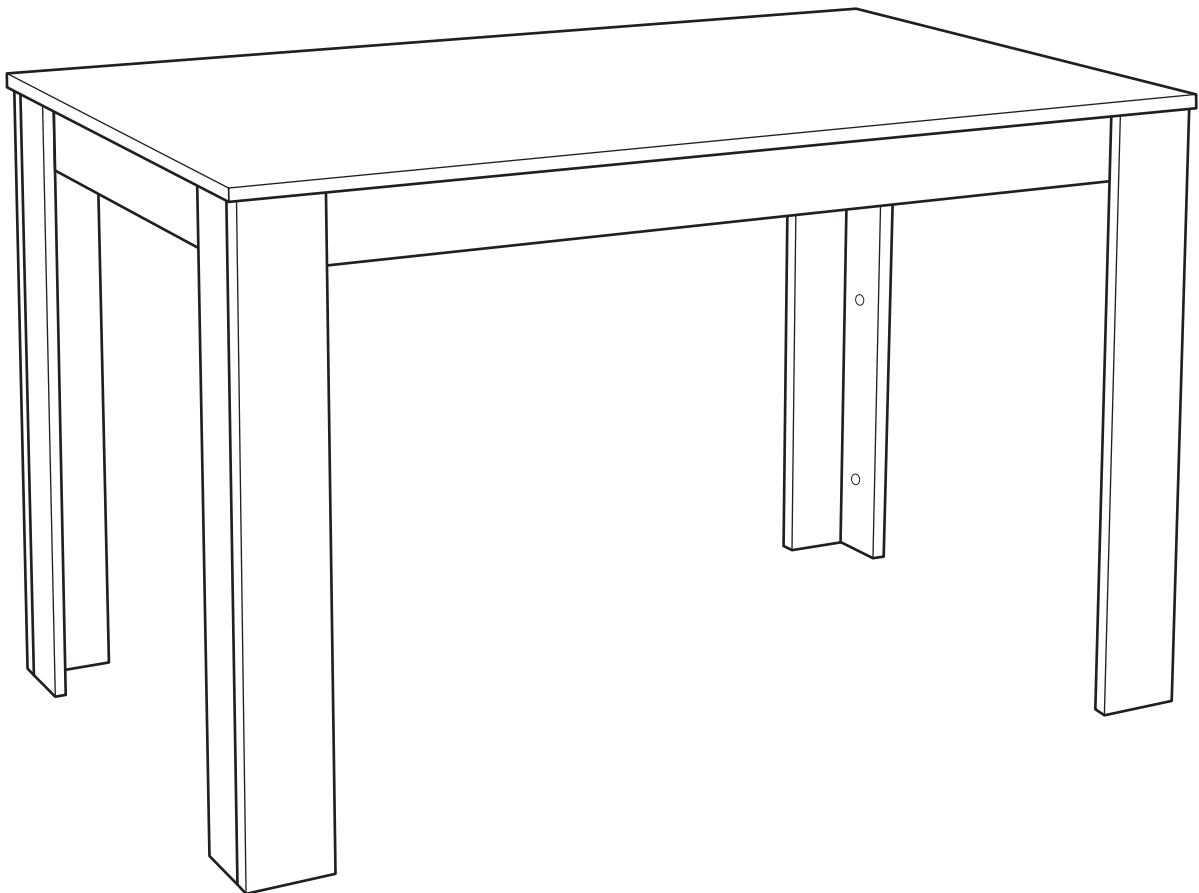
- Important: Please read these instructions fully before starting assembly.
- Do not discard any of the packaging until you have checked that you have all the parts and the pack of fittings.
- Discard all extra fittings and keep fittings out of reach of children.
- Assemble this product on a flat and protected surface.
- Assemble all parts and bolts loosely during assembly, only once the product is complete should you fully tighten the bolts.
- Assemble this product as close to its final position (in the same room) as possible.
- At least 2 people are required to assemble this product.

### Warnings:

- This product should only be used on firm, level ground.
- Make sure the legs remain in contact with the ground.
- Do not stand on the product.

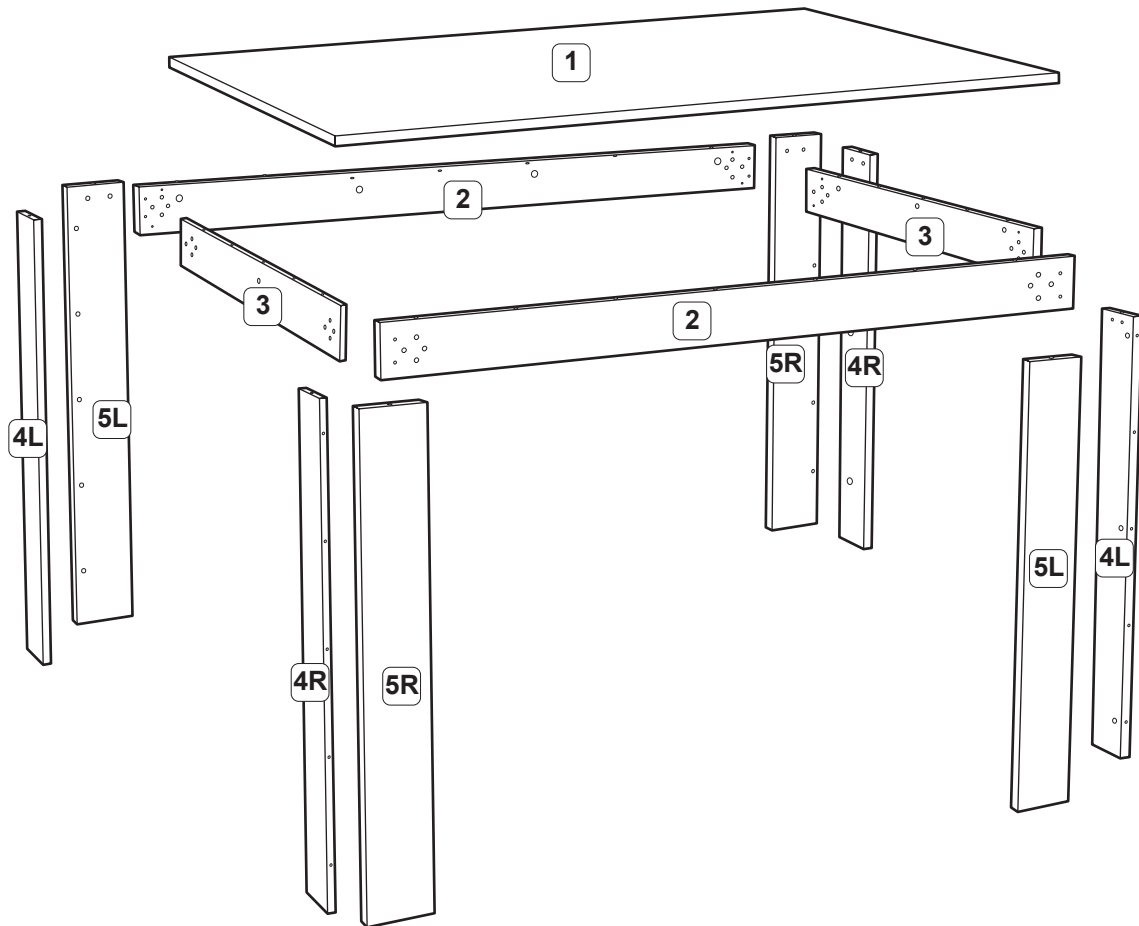
### Care and maintenance:

- Please clean the product using either damp (not wet) cloth and a mild domestic soap solution or by using an appropriate polish.
- Do not use abrasive materials when cleaning.
- From time to time, check that there are no loose bolts on this unit.

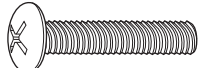
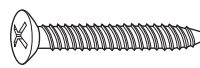
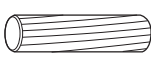
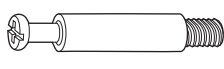

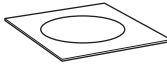

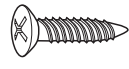


## Parts List

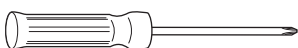
- |                                    |                               |                             |
|------------------------------------|-------------------------------|-----------------------------|
| <b>1</b> TOP PANEL - 1 pc.         | <b>4L</b> NARROW LEG - 2 pcs. | <b>5R</b> WIDE LEG - 2 pcs. |
| <b>2</b> LONG SIDE PANEL - 2 pcs.  | <b>4R</b> NARROW LEG - 2 pcs. |                             |
| <b>3</b> SHORT SIDE PANEL - 2 pcs. | <b>5L</b> WIDE LEG - 2 pcs.   |                             |



## Fittings List

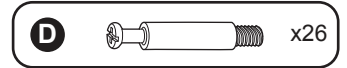
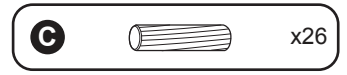
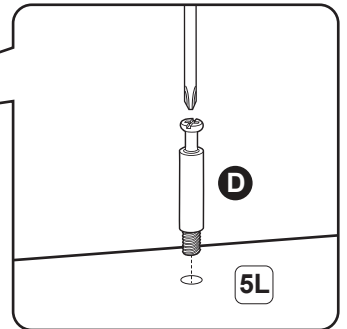
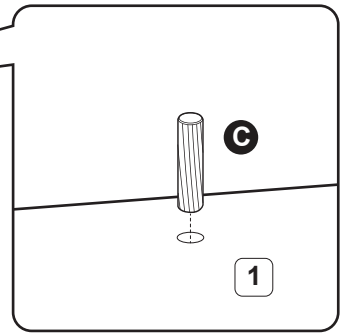
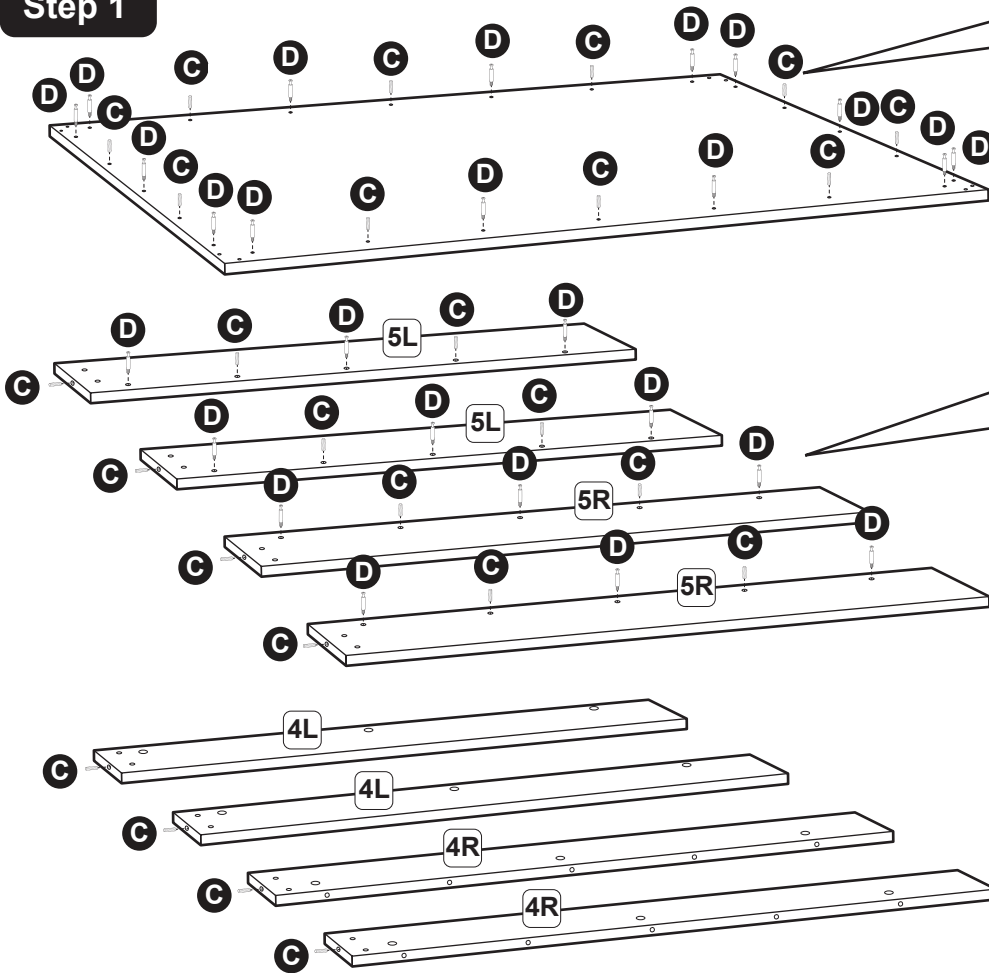
|  |   |   |
|--|---|---|
| <b>A</b> <br>25mm BOLT x 16 | <b>B</b> <br>30mm SCREW x 24 | <b>C</b> <br>DOWEL x 26        |
| <b>D</b> <br>CAM BOLT x 26  | <b>E</b> <br>CAM LOCK x 26   | <b>F</b> <br>ADHESIVE PAD x 12 |
| <b>G</b> <br>BRACKET x 8    | <b>H</b> <br>15mm SCREW x 16 |   |

## Additional tools required

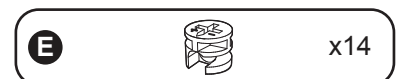
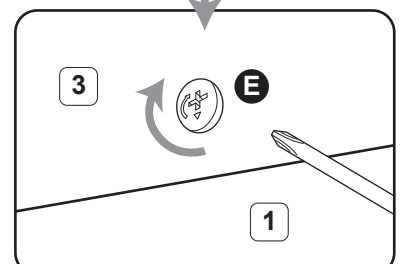
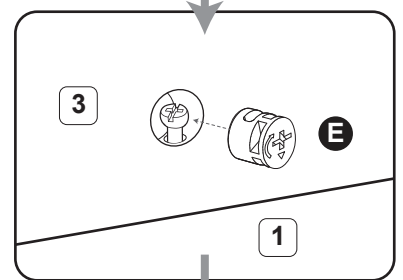
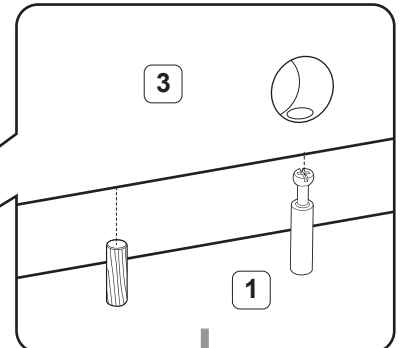
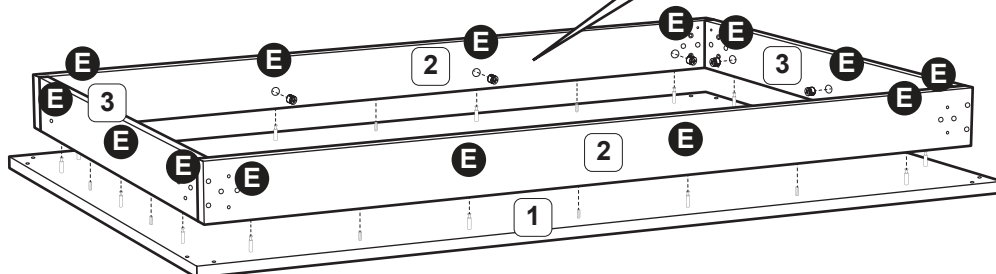


CROSSHEAD SCREWDRIVER

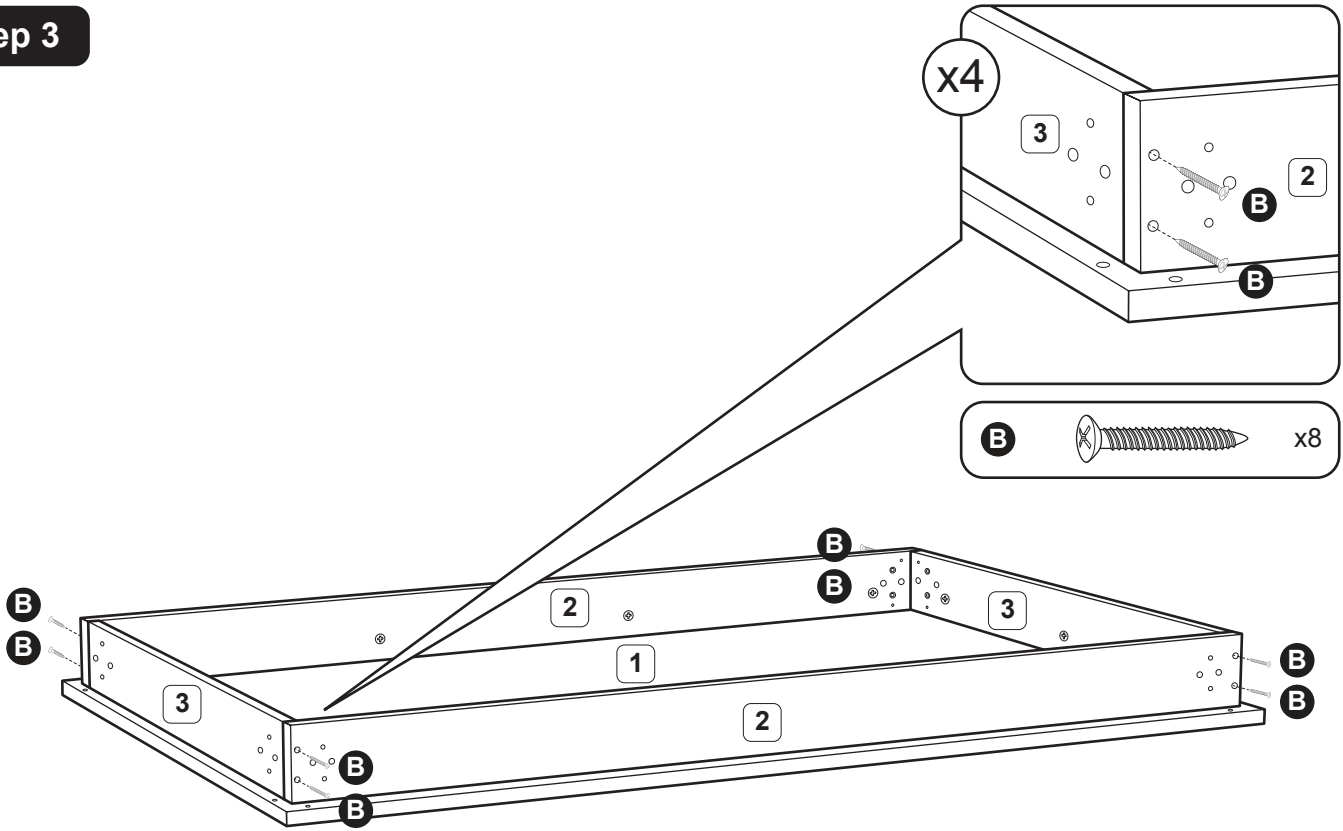
### Step 1



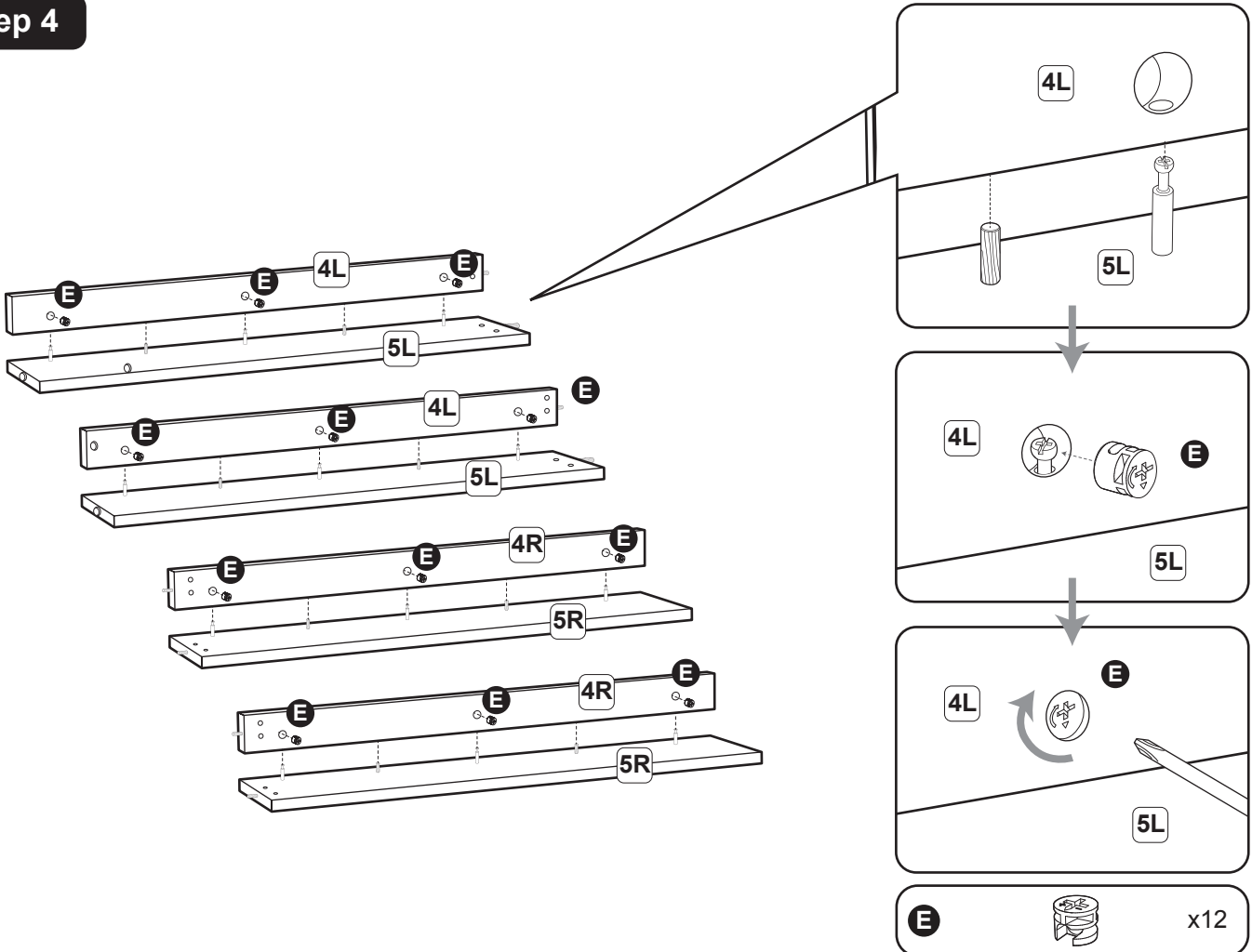
### Step 2



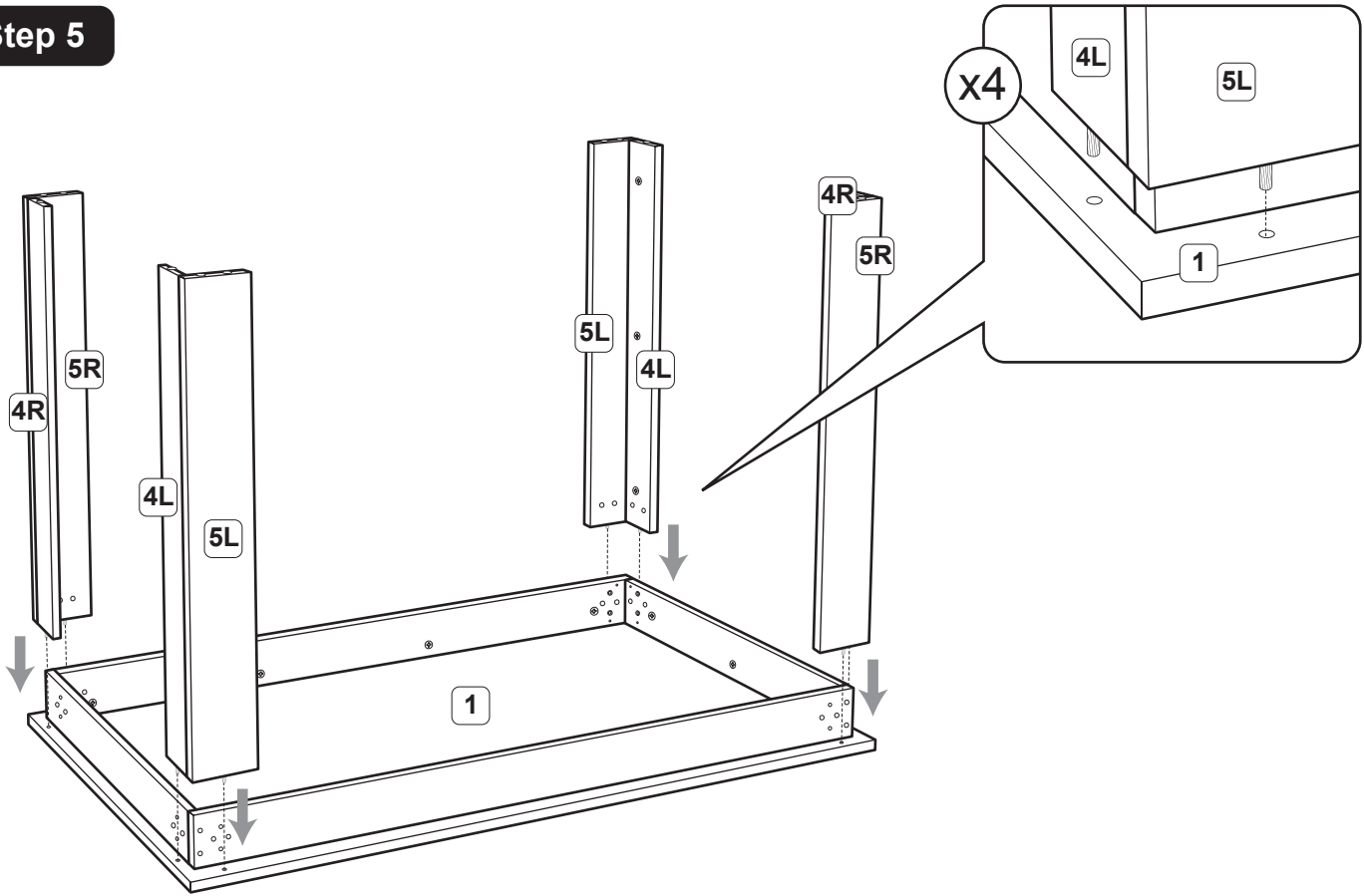
**Step 3**



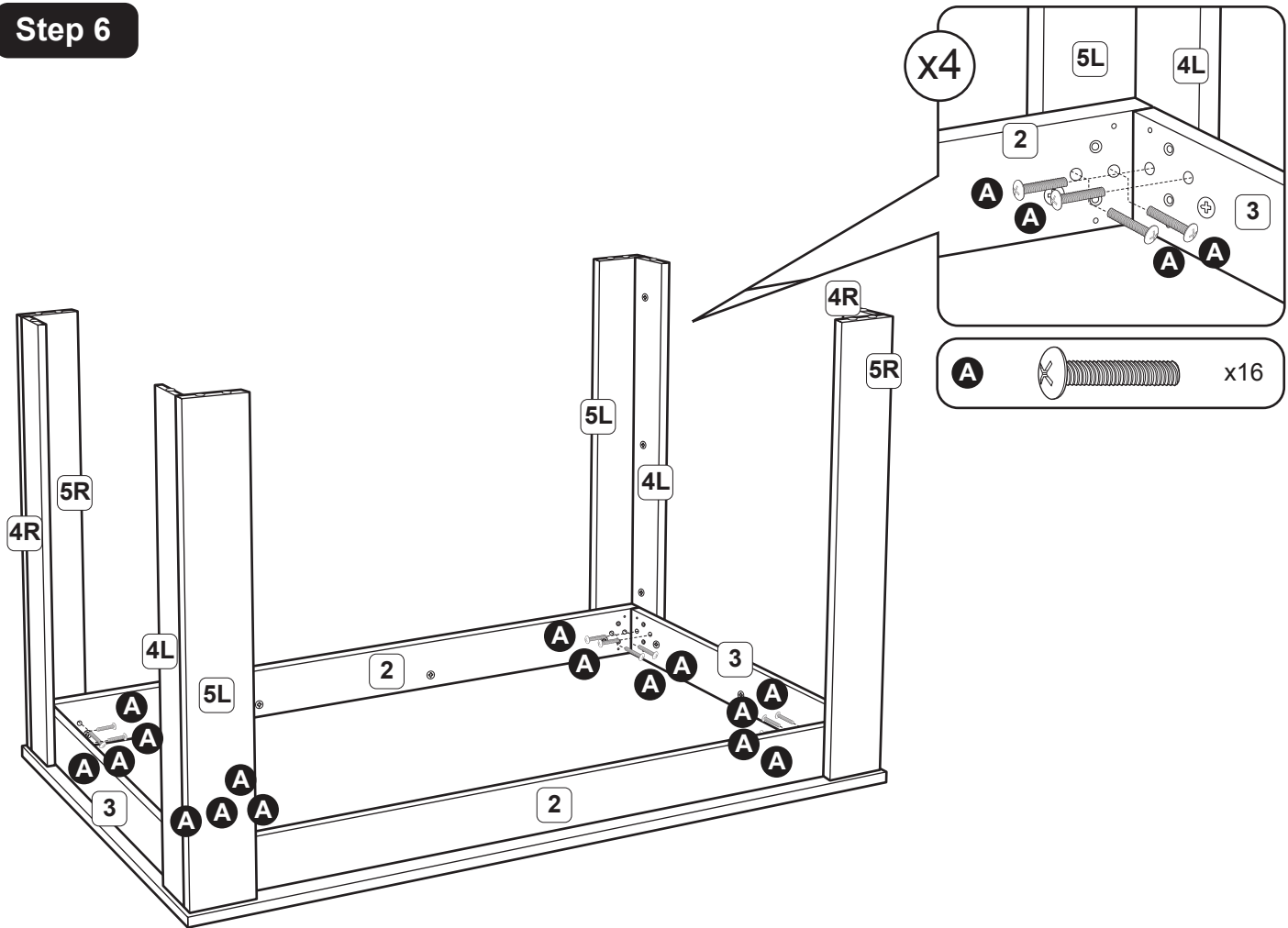
**Step 4**



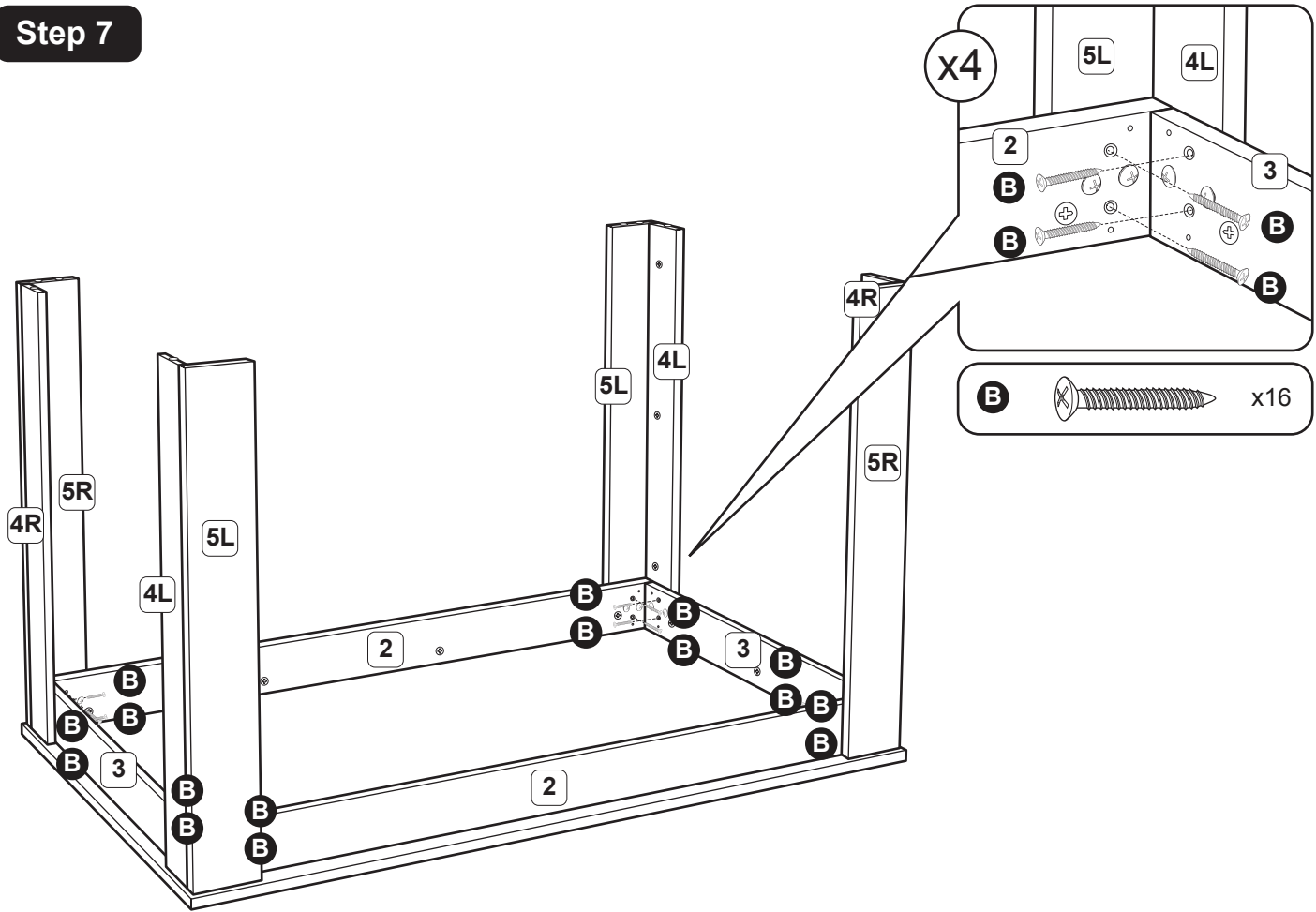
**Step 5**



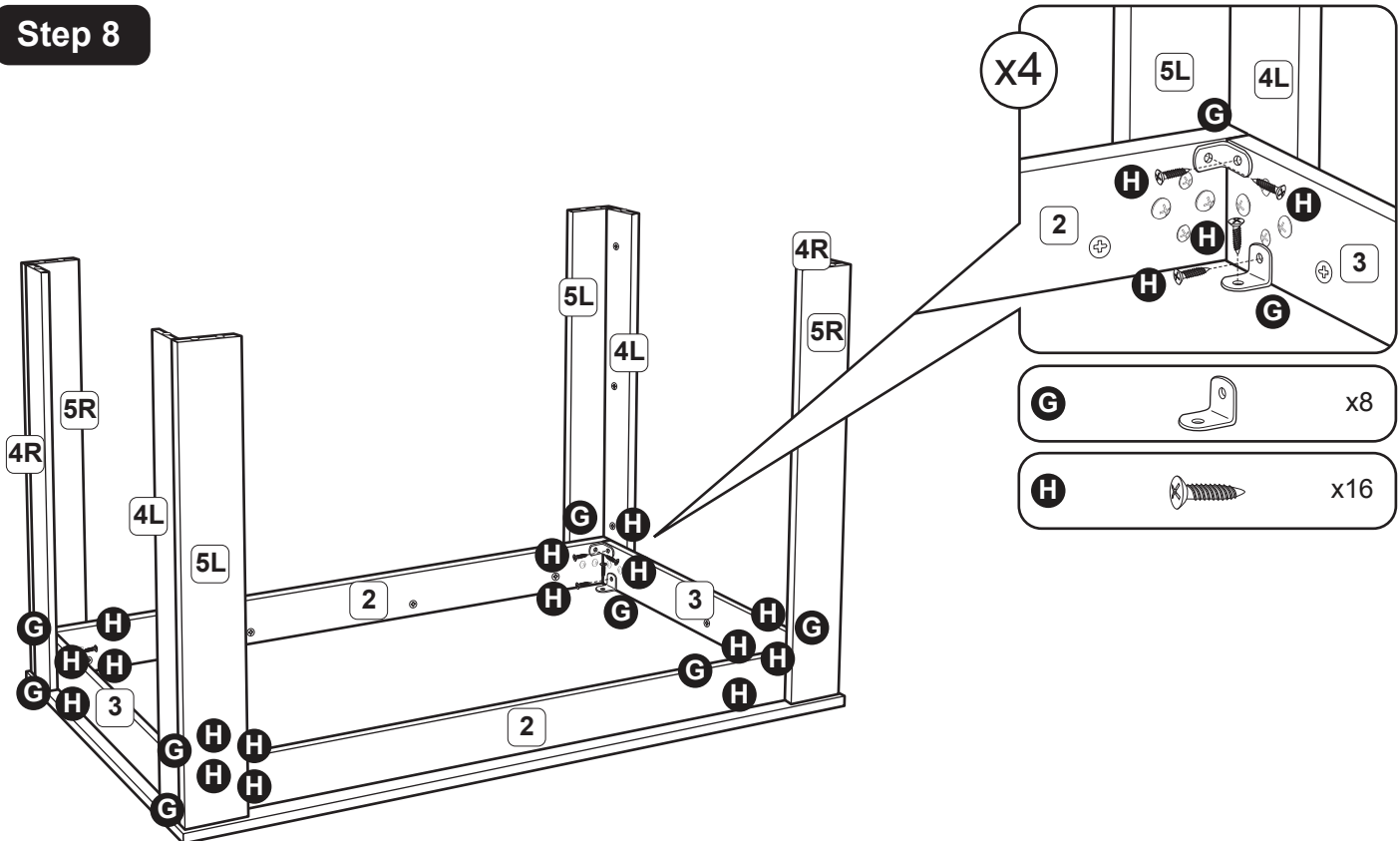
**Step 6**



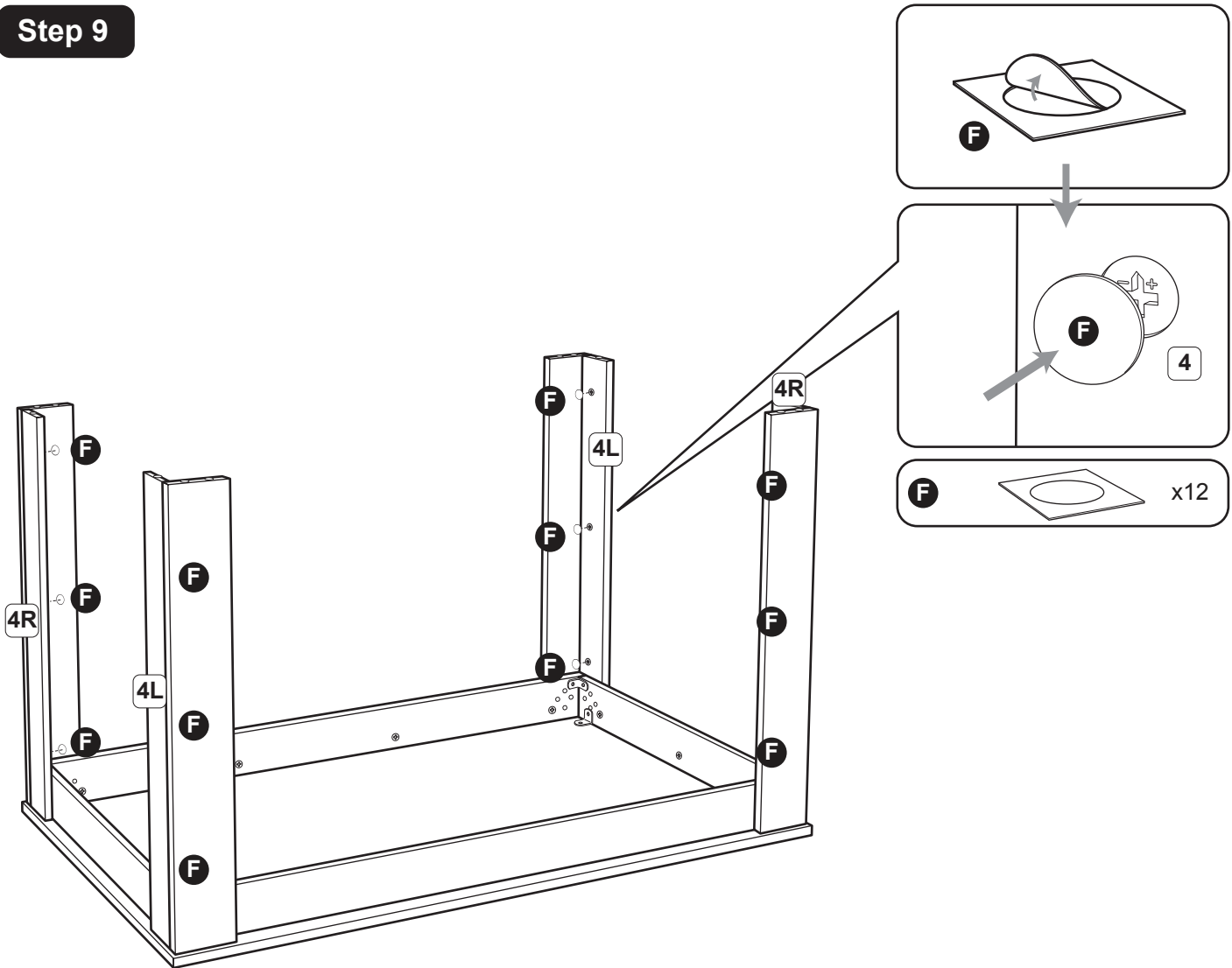
**Step 7**



**Step 8**



**Step 9**



**Note:** At least two persons are required to lift the unit.

Assembly is complete.