

## Camilia C55

### Features





- Complete Vanity Unit
- Wall-hung design offers a clean, streamlined look
- Two soft close doors and one soft close drawer
- Hettich sliding system
- Includes bathroom sink in gloss white ceramic; sink has a faucet hole
- Fully assembled with structure and front made of engineered wood in wood finishes and high gloss lacquered
- Handle integrated in front of furniture
- Hidden hanging bracket directly assembled with great resistance and depth regulations
- Made in Spain



### Related Items:

- WSBC 00076 | Push Waste Drain
- WSBC 53922 | Decorative Trap
- Camilia AUX55 | Medicine Cabinet

### Finishes:

-  Glossy White
-  Natural Oak
-  Island Matte
-  Grey Pine

### SKU# | Options:

- Camilia C55.100 WG | Glossy White, Chrome Handles
- Camilia C55.100 NO | Natural Oak, Chrome Handles
- Camilia C55.100 GP | Grey Pine, Chrome Handles
- Camilia C55.110 IM | Island Matte, Matte Black Handles

### Codes & Standards:

- CARB2 Compliant and Certified
- TSCA Compliant and Certified

\* WS Bath Collections reserve the right to make revisions without notice to product specifications, dimensions, or information.

**Collection |**  
Camilia

**Model |**  
Camilia C55

Dimensions Metric

*1 inch = 2.54 cm*

*1 inch = 25.4 mm*

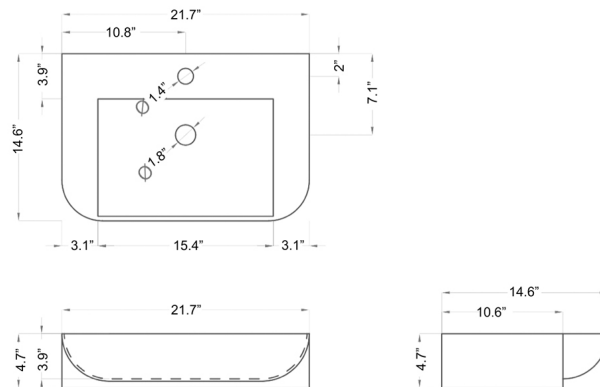
**WS**®  
**BATH**  
**COLLECTIONS**

1051 Lea Drive - Collegeville, PA 19426  
Tel. 215 513 9400 - Fax 610 831 0215

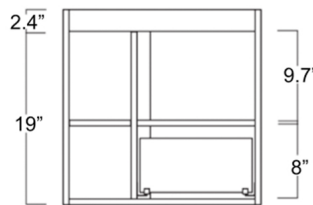
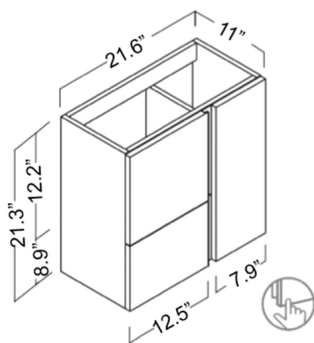
[www.ws bathcollections.com](http://www.ws bathcollections.com) - [info@ws bathcollections.com](mailto:info@ws bathcollections.com)

## Camilia C55

### Sink

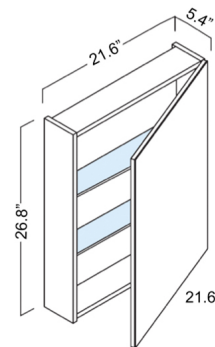


### Base Unit



### Auxillary

sku: Camilia AUX55



Puerta derecha push.  
Right door push.  
Poussée de la porte droite.

### Technical information



Adjustable front.



Soft close.



Soft close.



Glossy lacquered finish.



Hettich sliding system.

- 2 doors, right door with push opening system and adjustable drawer. Metal handles.
- 19 mm front / 16 mm side.

**Collection |**  
Camilia

**Model |**  
Camilia C55

**Dimensions Metric**

1 inch = 2.54 cm

1 inch = 25.4 mm

**WS<sup>®</sup>**  
**BATH**  
**COLLECTIONS**

1051 Lea Drive - Collegeville, PA 19426  
Tel. 215 513 9400 - Fax 610 831 0215

[www.ws bathcollections.com](http://www.ws bathcollections.com) - [info@ws bathcollections.com](mailto:info@ws bathcollections.com)

# Product Specs Sheets

We recommend the following drains, traps, and hardware with your fixture:  
Drains & Traps as shown below are compatible together.

## TRAPS



**WSBC 53922**  
*Our best seller*

- Polished Chrome  
WSBC 53922.29
- Glossy White  
WSBC 53922.09
- Matte Black  
WSBC 53922.22
- Matte White  
WSBC 53922.26
- Other options:  
Please visit our website



**WSBC 53925**

- Polished Chrome  
WSBC 53925.29



**WSBC 53921**  
*Space saving*

- Polished Chrome  
WSBC 53921.29
- Glossy White  
WSBC 53921.09
- Matte Black  
WSBC 53921.22
- Matte White  
WSBC 53921.26
- Other options:  
Please visit our website

## DRAINS



**WSBC 00076**  
*Our best seller*  
Push waste drain (click clack)  
*Universal*  
*Works with sinks with or without overflow*

- Polished Chrome  
WSBC 00076.29
- Glossy White  
WSBC 00076.09
- Matte Black  
WSBC 00076.22
- Matte White  
WSBC 00076.26
- Glossy Black  
WSBC 00076.18
- Other options:  
Please visit our website



**WSBC 53991**  
*Our best seller*  
Push waste drain (click clack)  
*With overflow*  
*Works with sinks with overflow*

- Polished Chrome  
WSBC 53991.29
- Glossy White  
WSBC 53991.09
- Matte Black  
WSBC 53991.22
- Matte White  
WSBC 53991.26
- Glossy Black  
WSBC 53991.18
- Other options:  
Please visit our website

**Other Drain Options Available:**  
- Always open/grid drain  
- Drains with ceramic cover

## MOUNTING HARDWARE

### Wall Mounted Sinks

**Bolts and nuts**  
(Included)



### Vessel - Countertop Sinks

**Silicon**

Available at hardware stores



**Separation Rings**

To be used with vessel sinks (optional)

WSBC 5398




### Under Mount Sinks

**Under Mount sink clips**

Available at hardware stores



\* WS Bath Collections reserve the right to make revisions without notice to product specifications, dimensions, or information.

<p><b>Collection  </b> Drains &amp; Traps</p>	<p><b>Model  </b> Drains &amp; Traps</p>	<p><b>Dimensions Metric</b> <i>1 inch = 2.54 cm</i> <i>1 inch = 25.4 mm</i></p>	<p style="text-align: right;">01.2025</p>  <p>1051 Lea Drive - Collegeville, PA 19426 Tel. 215 513 9400 - Fax 610 831 0215 <a href="http://www.ws bathcollections.com">www.ws bathcollections.com</a> - <a href="mailto:info@ws bathcollections.com">info@ws bathcollections.com</a></p>
---	--	---	---