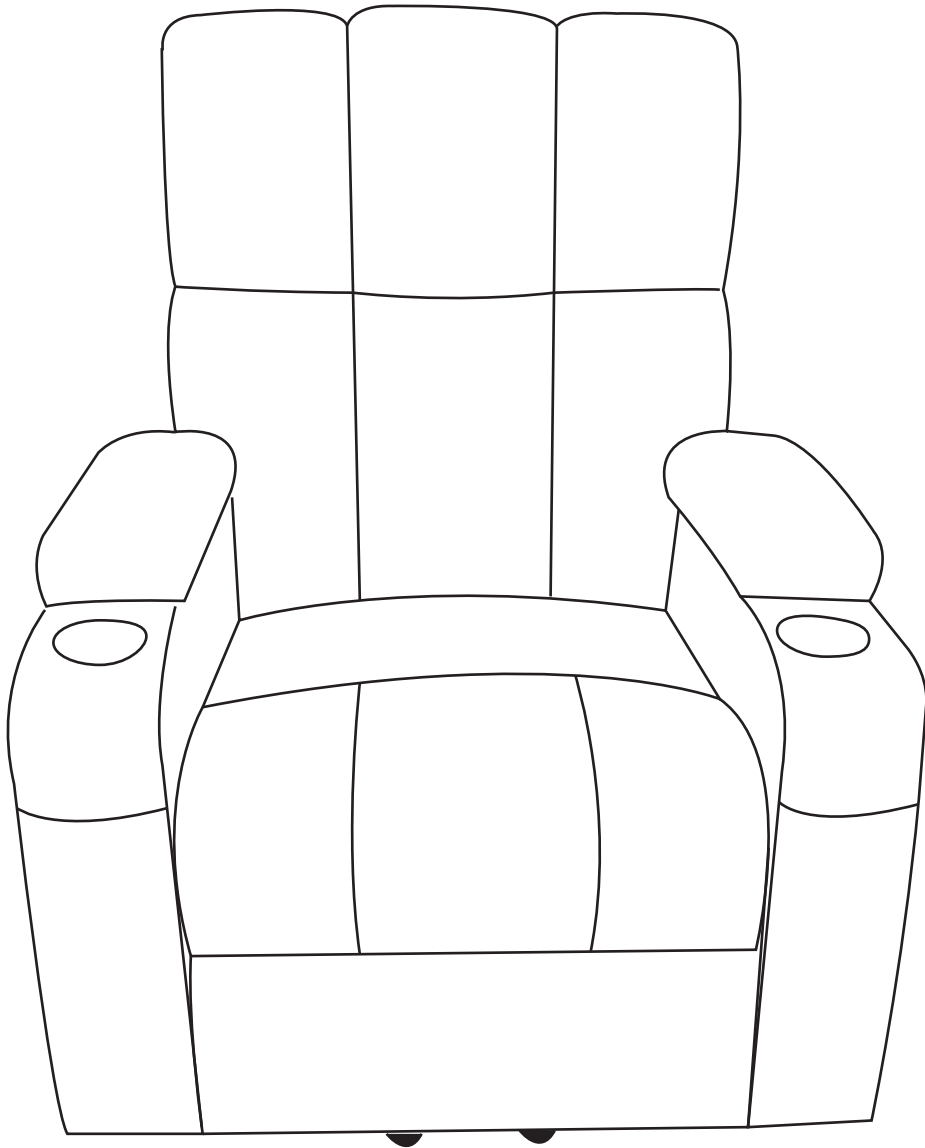


# INSTRUCTION MANUAL

## Massage Lift Recliner



Customer Service Email: [reclinerfornewlife@yeah.net](mailto:reclinerfornewlife@yeah.net)



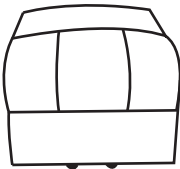
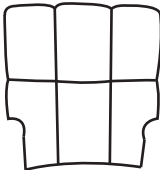
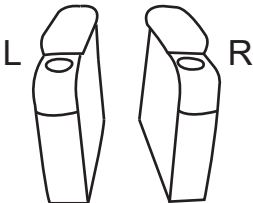
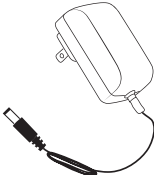


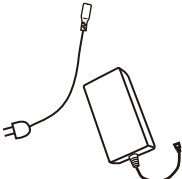
### NOTE

1. The recliner is delivered in 2 parcels.
2. If you have any problems with installation or use, please contact us directly. Our customer service will enthusiastically provide you with solutions.

# CATALOG

<b>Package list</b> .....	1
<b>Before Assembly</b> .....	2
<b>Important Safety Instructions</b> .....	2
<b>To store</b> .....	3
<b>To clean</b> .....	3
<b>Assemble Step 1-3</b> .....	4-6
<b>Recline the chair</b> .....	7
<b>Lift the chair</b> .....	8
<b>Use massage remote control</b> .....	9
<b>Frequently Asked Questions</b> .....	10

# Package list

Part		Qty	Part		Qty
<b>A</b>	<b>Chair base</b>	1PC	<b>B</b>	<b>Backrest</b>	1PC
					
<b>C</b>	<b>Armrest</b>	2PCS L Armrest*1 R Armrest*1	<b>D</b>	<b>Power cord</b>	1PC
					
<b>E</b>	<b>Massage Remote Control</b>	1PC	<b>F</b>	<b>Lift Remote Control</b>	1PC
					
<b>G</b>	<b>Power Source</b>	1PC			
					

Note: Please make sure you've got everything lists as following before assembly.

If not email us: [reclinerfornewlife@yeah.net](mailto:reclinerfornewlife@yeah.net)

## Before Assembly

Note: This massage sofa is delivered by 2 parcel. If you have any questions, please feel free to contact us at any time: [reclinerfornewlife@yeah.net](mailto:reclinerfornewlife@yeah.net)

- 1: Keep this instruction manual for future reference.
- 2: It is important to only use this product on a firm, level surface.
- 3: Keep all small parts out of reach of children and animals.
- 4: Make sure you have all the components, as listed in this instruction manual, if not, email us: [reclinerfornewlife@yeah.net](mailto:reclinerfornewlife@yeah.net)
- 5: Remove all packaging and place the components on top of the empty box or on a clean floor to prevent them from becoming scratched.
- 6: Make sure you have the right tools and a clean, dry and spacious area for assembly.
- 7: Assemble on a flat / firm surface to avoid damage.
- 8: Assemble in the room you intend to use the chair or as close as possible to that room.
- 9: Carefully follow each assembly step in the correct order to prevent incorrect assembly.
- 10: Before use, ensure that the product is fully assembled and only then should the screws and bolts be fully tightened but not over tightened.
- 11: Do not discard any packaging until the product is fully assembled. This will avoid disposing of any parts.
- 12: Do not use or attempt to assemble this product if parts are missing damaged or worn. Please email us: [reclinerfornewlife@yeah.net](mailto:reclinerfornewlife@yeah.net)
- 13: Place the product at a distance from the wall so that you can use the reclining function.

## Important Safety Instructions

- 1: If you have any concerns regarding your health, consult your doctor before using this product. Individuals with pacemakers should not use this product.
- 2: If you experience pain in a muscle or joint for a prolonged period of time discontinue use and consult your doctor.
- 3: Persistent pain could be a symptom of a more serious condition.

When using an electrical appliance, basic precautions should always be followed including the following:

- 1: This product is for use on a 12V circuit. Make sure that the product is connected to an outlet having the same configuration as the plug.
- 2: Always unplug the massager from the power source after use, and before cleaning.
- 3: Do not reach for massager if it has fallen into water. Unplug immediately.
- 4: An appliance should never be left unattended when plugged in. Unplug from outlet when not in use, before putting on or taking off parts or attachments.
- 5: Do not use outdoors.
- 6: Do not carry this appliance by supplied cord as a handle.
- 7: Keep the cord away from heated surfaces.
- 8: Close supervision is necessary when this appliance is used by or near children, invalids or disabled persons.
- 9: This unit is not a toy. Children should not use it or play with it.
- 10: Do not operate where aerosol (spray) products are being used or where oxygen is being administered.
- 11: Do not use near eyes or other highly sensitive areas.
- 12: Keep cord away from heated surfaces.
- 13: Use this appliance only for its intended use as described in this manual. Do not use attachments not provided with the unit.

### **To store**

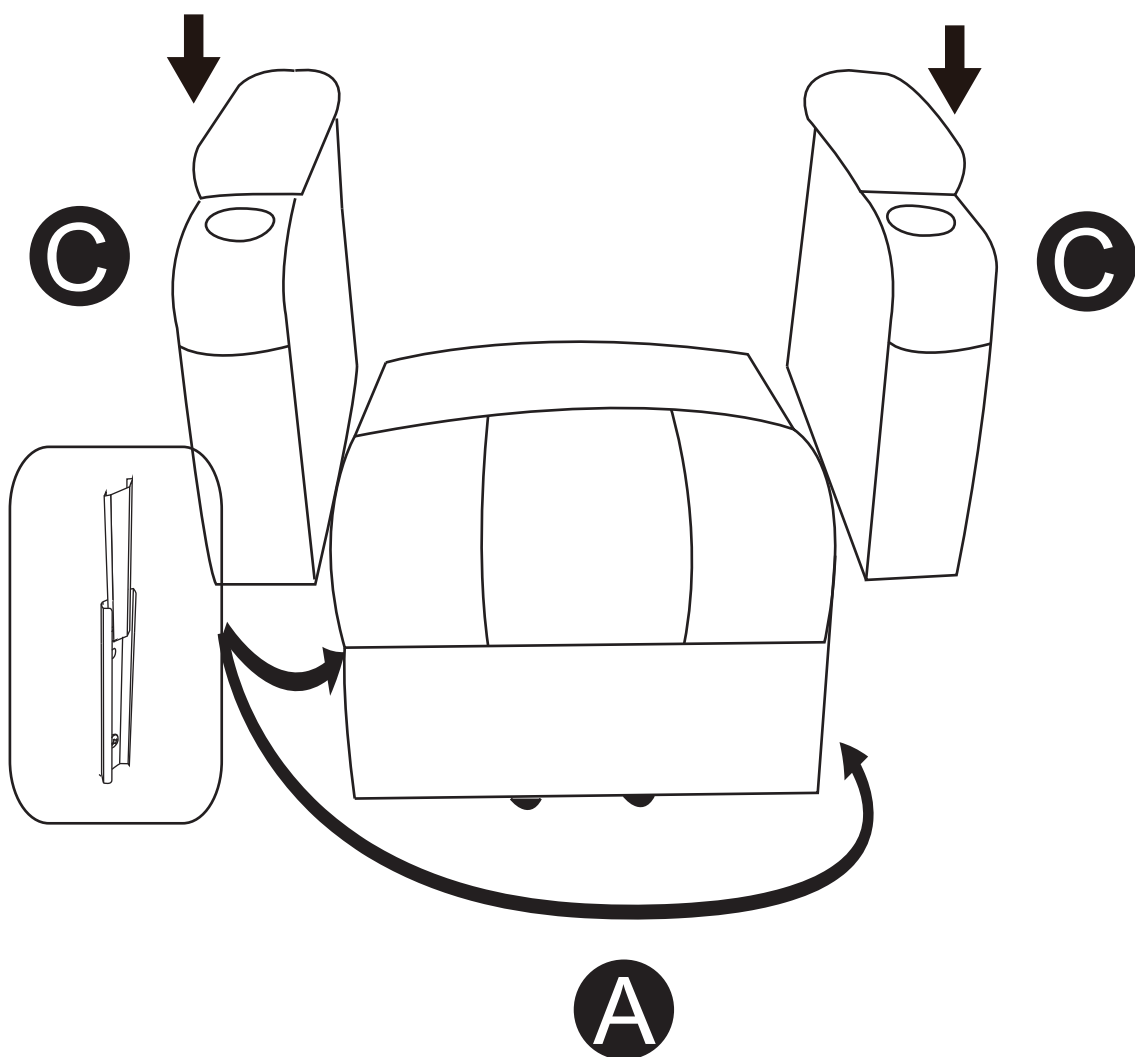
- 1: Place unit in its box or safe, dry, cool place. Avoid contact with sharp edges or pointed objects which might cut or puncture the fabric. Do not wrap power cord around the unit.
- 2: Do not hang the unit by power cord.

### **To clean**

- 1: Insure the unit is unplugged from the power source, and allow to cool before cleaning.
- 2: Do not place in any liquid to clean. Clean fabric cover by wiping with a damp sponge, using a mild detergent or suds. Pat dry with clean, dry cloth.
- 3: Do not use abrasive cleaners, brushes, gasoline, kerosene, glass / furniture polish, paint thinner or water hotter than 120 °C to clean the unit.
- 4: To clean the unit, make sure the massager is unplugged. Allow the unit to cool and the wipe down with a damp clean cloth. Do not use any strong chemical cleaners.

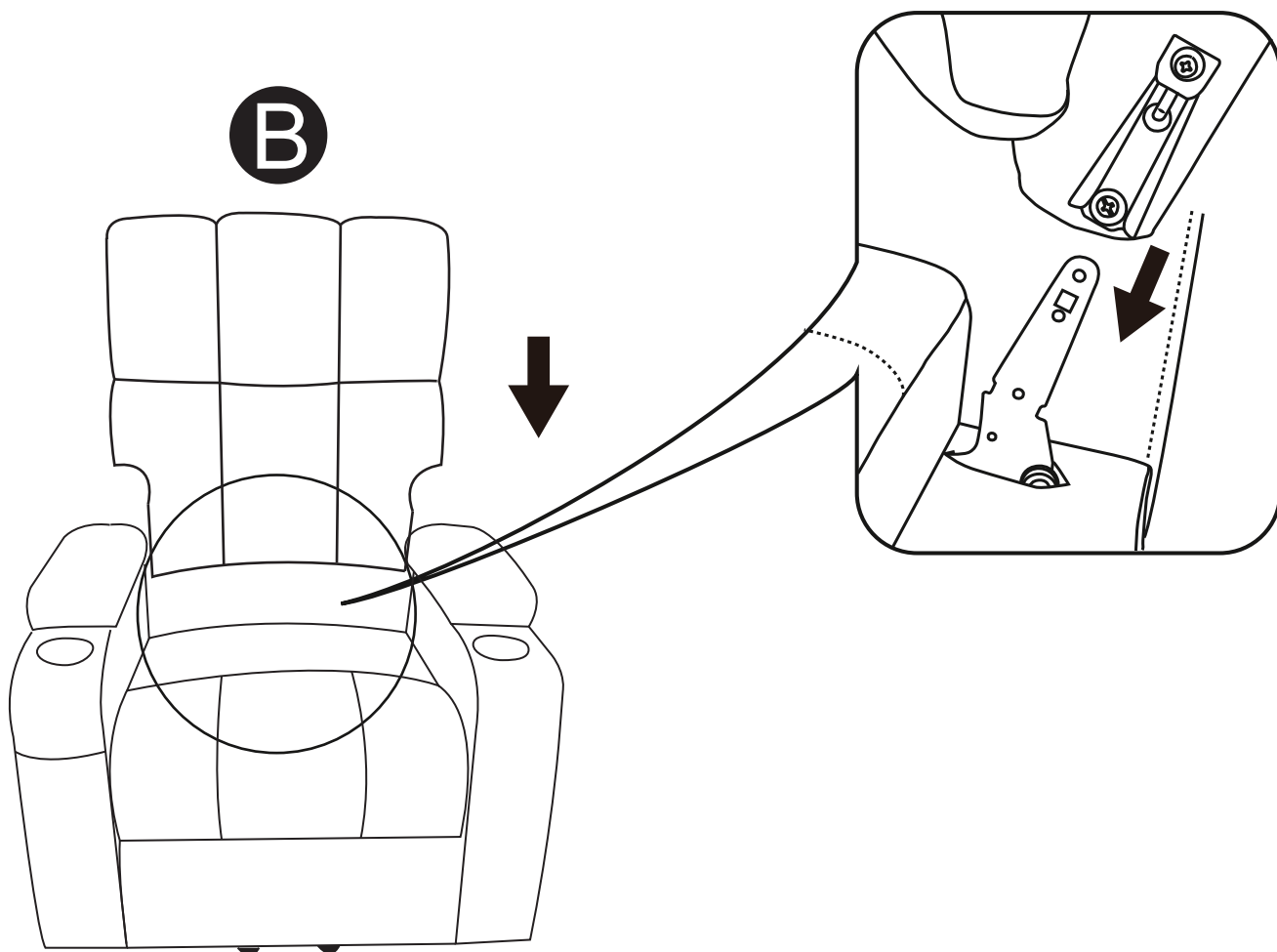
# STEP 1

Insert two armrests to the chair base, make sure the slots on the armrests fully assembled to the bottom part



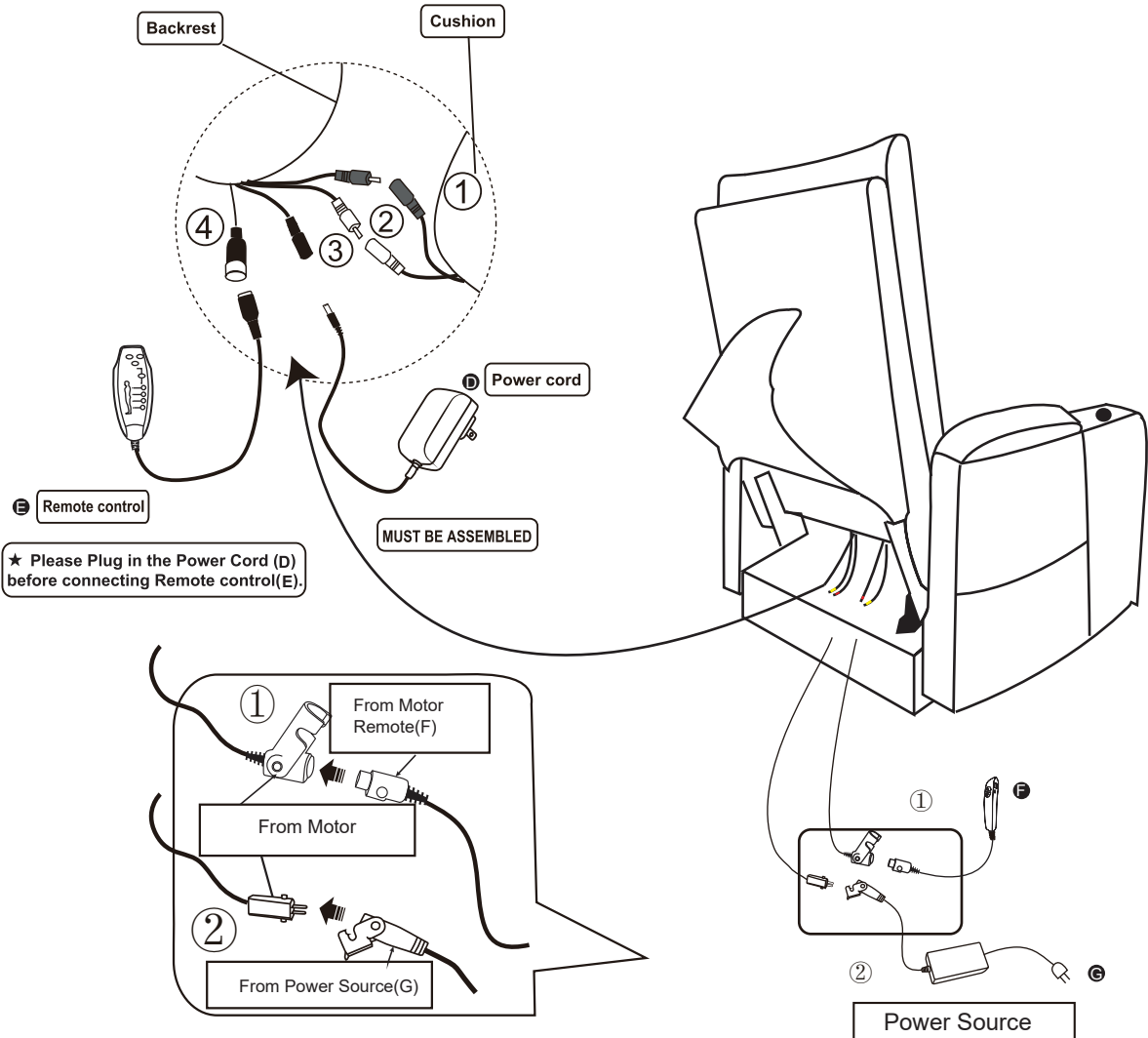
## STEP 2

Insert chair back to the chair base, make sure the slots on the back fully assembled to the bottom part.



# STEP 3

- No.1 and No.2 wire connect with the backrest and chair base.
- No.3 wire connects with backrest and power cord(D).
- No.4 wire connects with backrest and remote control(E).

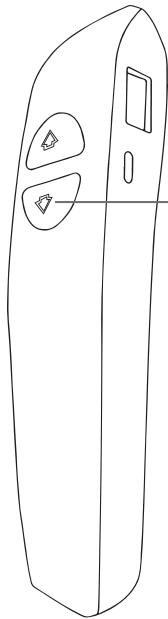


## WARNING:

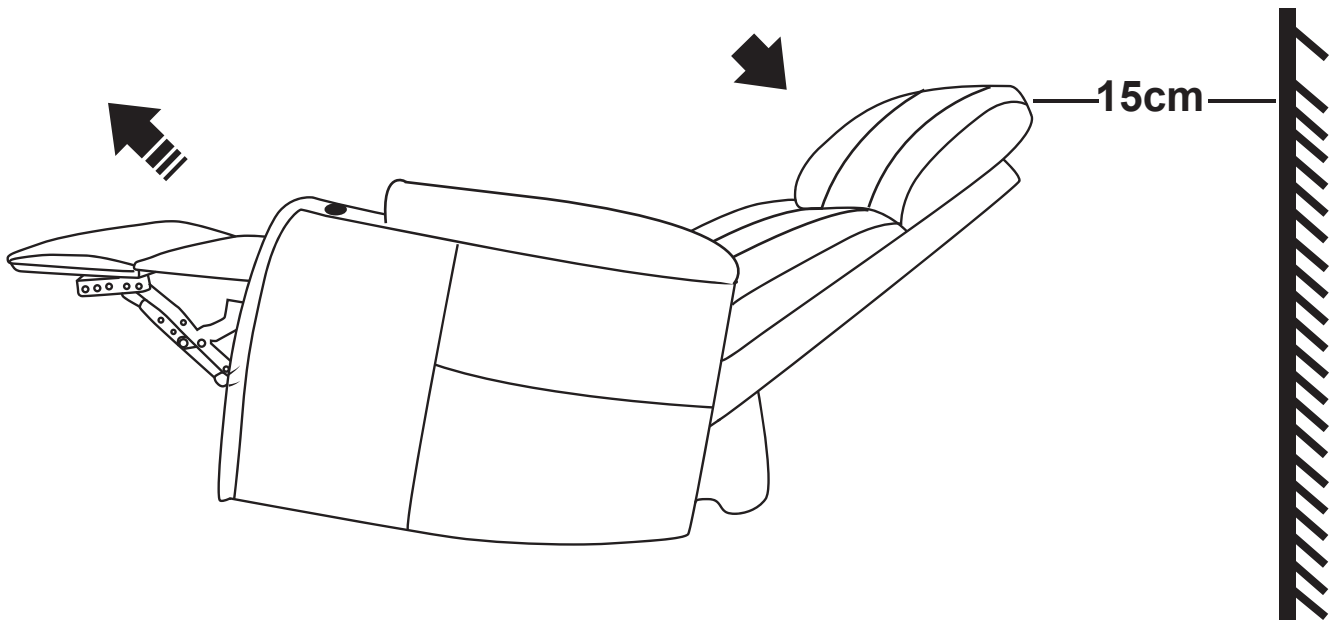
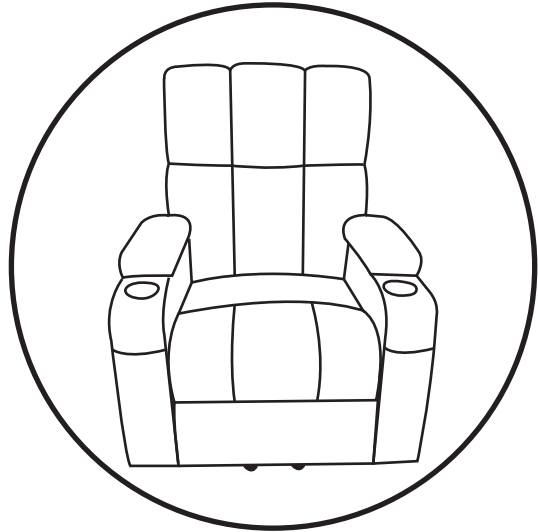
To ensure proper assembly, follow all steps and use all parts. When using the recline mode, make sure that the chair and the wall are 15cm apart to avoid damage to the motor.



# How to recline?



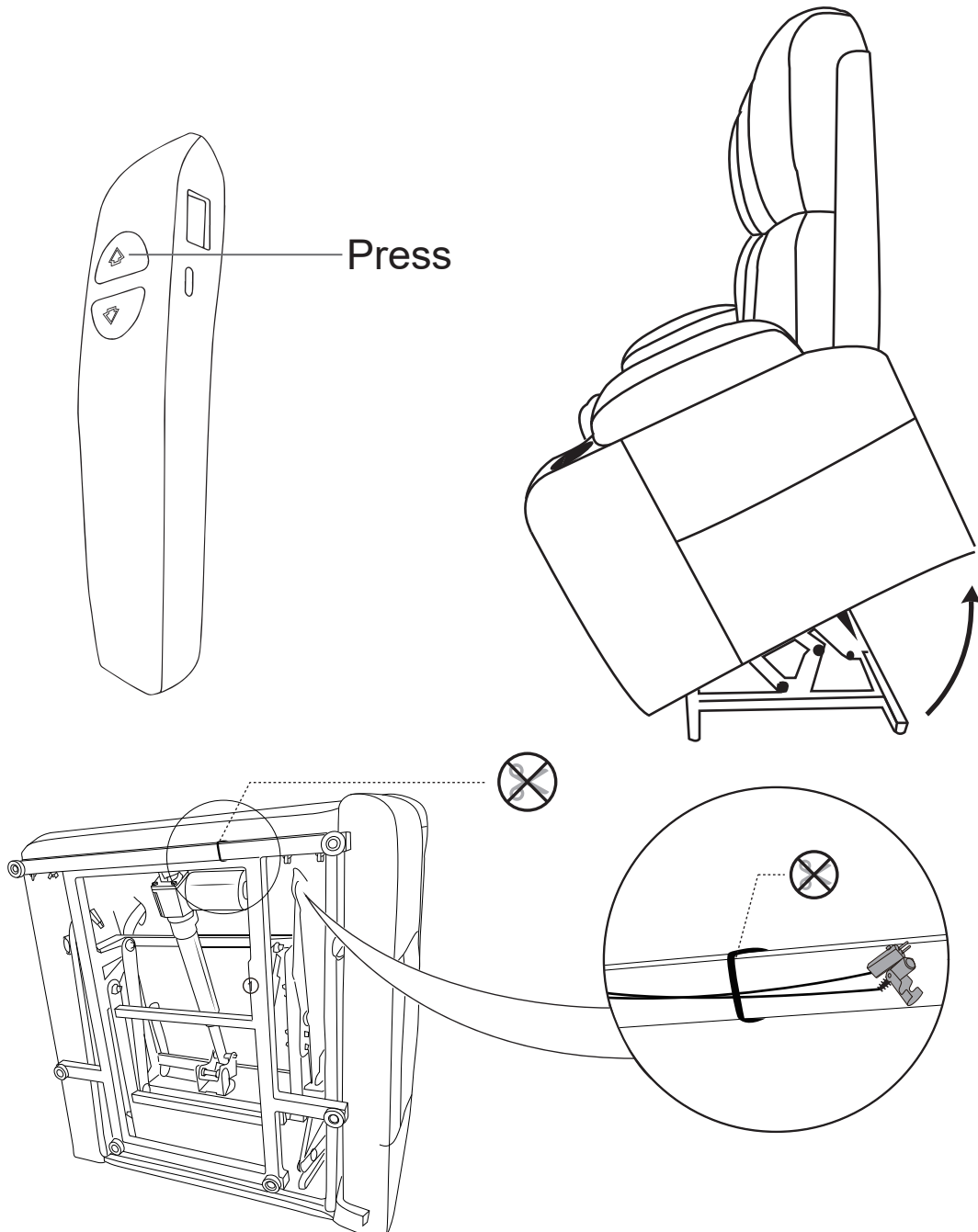
Press



NOTE

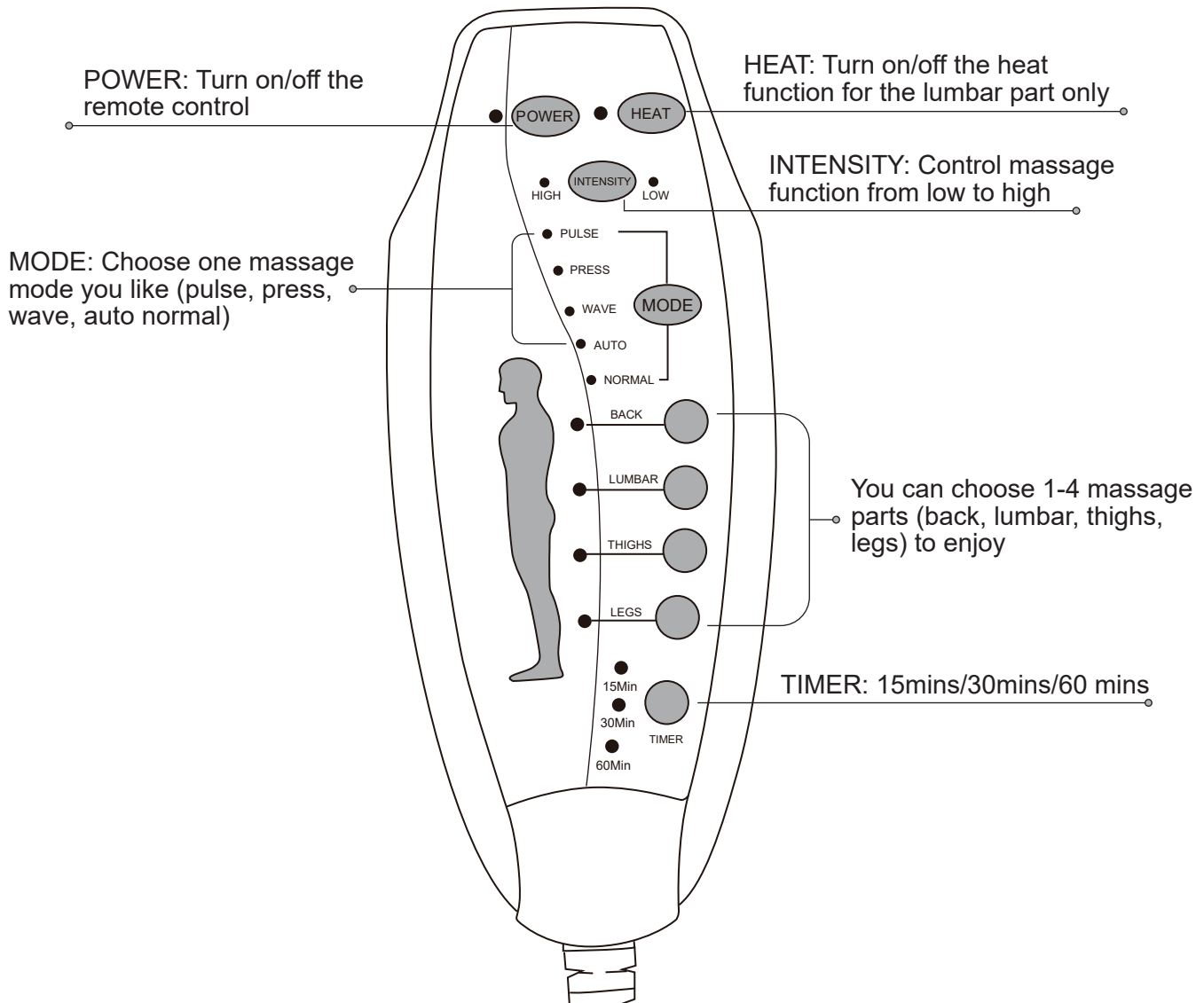
When reclining , the chair needs to be at least 15cm away from the wall to avoid damaging the motor.

# How to lift the chair?



**NOTE:** Turn over the base part, you will find the power wire is bound by the cable tie. Please do not cut off the cable tie, as it is needed to keep the wires in position. Otherwise, the wires may get pulled apart.

# How to use massage remote control?



## ⚠ NOTE

- 1: When the time you choose is reached, it will automatically stop working.
- 2: DO NOT use for more than 60 minutes of continuous use.
- 3: When the heat reaches 60°C, it will automatically stop working.

# Frequently Asked Questions

**Q1: Missing parts when received.**

**A: If you find some parts are missing from the box, please kindly send us messages to let us know the name of missing part regarding to the first page of instructions. We will send replacement to you asap. ([reclinerfornewlife@yeah.net](mailto:reclinerfornewlife@yeah.net))**

**Q2: Some parts damaged when arrived.**

**A: Please send clear photos about damaged part to us as attachment, we will check and offer you best solution soon. ([reclinerfornewlife@yeah.net](mailto:reclinerfornewlife@yeah.net))**

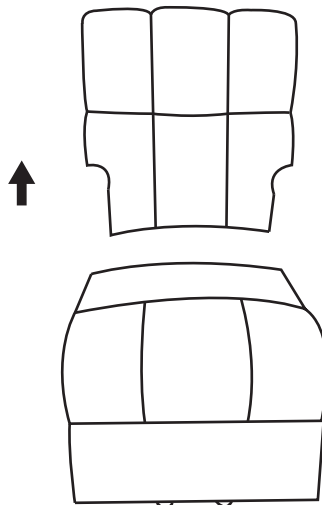
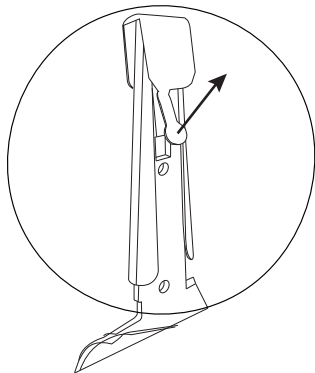
**Q3: The chair is stuck on reclining position, and no response when you press the bottom**

**A: Please contact us and send clear photos or videos about the damage, we will offer you best solution soon. ([reclinerfornewlife@yeah.net](mailto:reclinerfornewlife@yeah.net))**

**Q4: How to remove the chair?**

**A: Please note that you need to take apart the backrest before. ([reclinerfornewlife@yeah.net](mailto:reclinerfornewlife@yeah.net))**

**1. Force apart the buckles while take the backrest out from the arms.**



**UK REP**

Name: Sea&Mew Accounting Ltd  
Address: Electric Avenue Vision 25, London, Enfield, EN3 7GD  
Contact Person: Billy Han  
E-mail: [info@seamew.net](mailto:info@seamew.net)  
Tel: +44 7399648608

**EC REP**

Name: Sea& Mew Consulting GmbH  
Address: Mittenhuber Straße 4, 92318, Neumarkt  
Contact Person: Yuan Li  
Email: [Compliance.EU@outlook.com](mailto:Compliance.EU@outlook.com)  
Tel: +4915224685061



Filling materials and covering fabric(s) meet the requirements for resistance to cigarette and match ignition in the Furniture and Furnishings (Fire) (Regulatory) Regulations 1988

**CARELESSNESS  
CAUSES FIRE**

