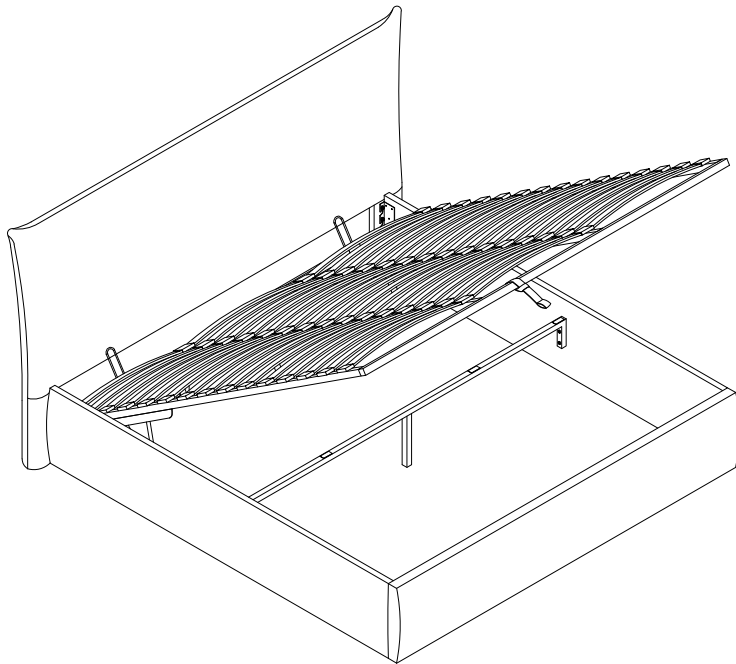


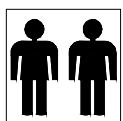
# ASSEMBLY INSTRUCTION



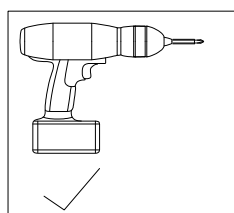
Please **TEAR OFF** this shrink film from side!  
**DO NOT USE CUTTER!**

## IMPORTANT NOTE

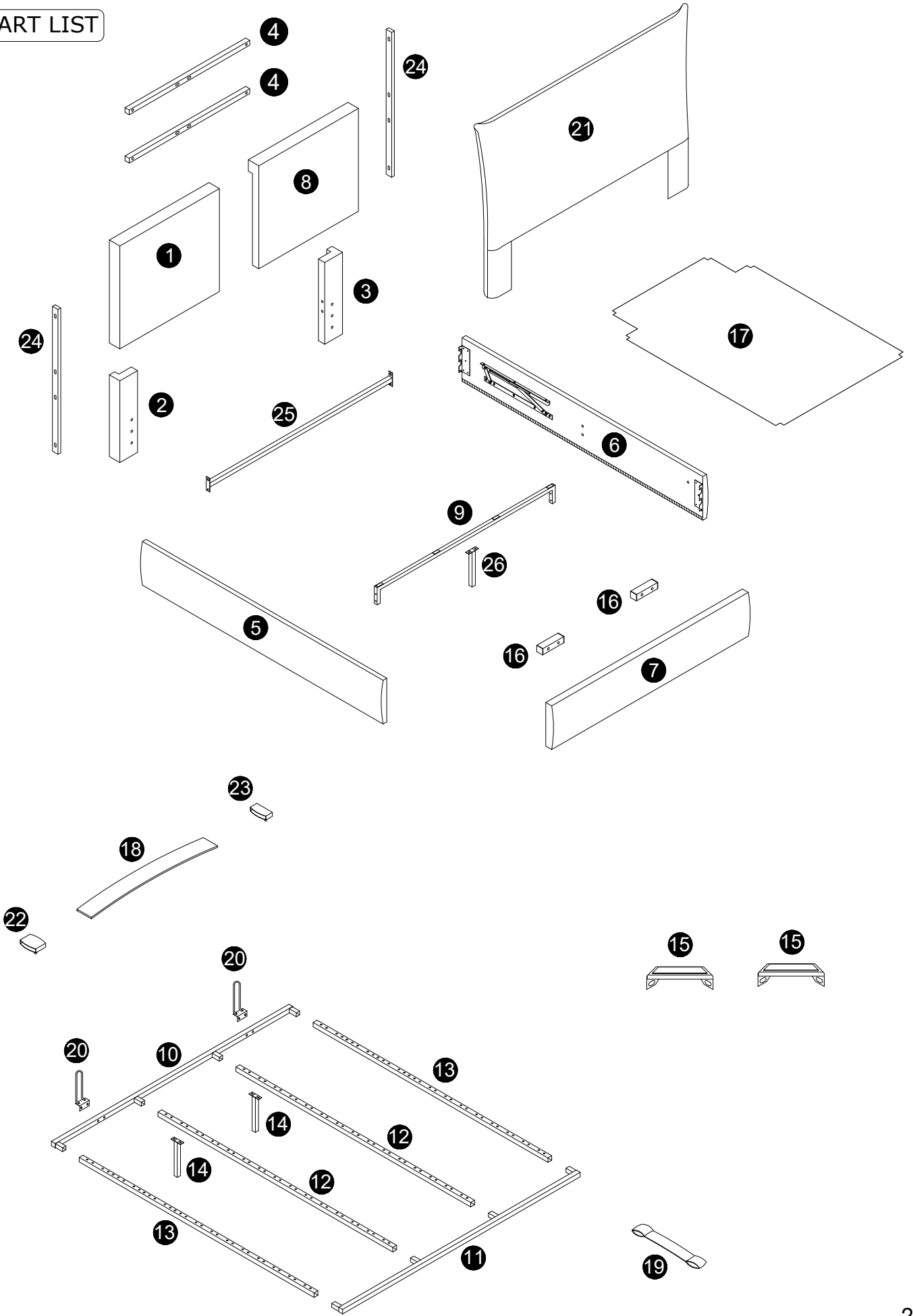
- 1. The product is shipped in two packages. Please check the number of packages received before assembly. If you are missing one package, receive a duplicate package, or have any assembly or after-sales issues, please contact us.**
2. For the protection of your furniture, place all parts on a clean and smooth surface to prevent any damage.
3. Keep fittings out of children's reach and keep children well away from construction area.
4. When moving your assembled bed, it is best to lift the bed and never to drag it.
5. Do not use this product if parts are missing, damaged or worn.
6. This product should only be used on firm, level ground.
7. Please periodically check all fittings and re-tighten as necessary.
8. Do not use the bed unless all bolts and screws are firmly secured.
9. For further assistance, please provide a screenshot of your order and contact us.



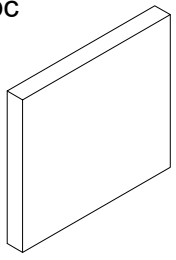
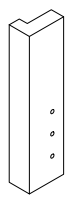

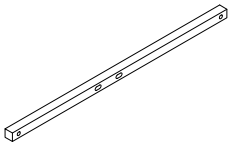
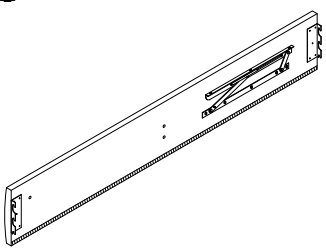
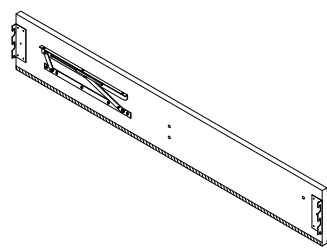
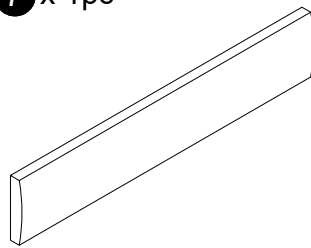
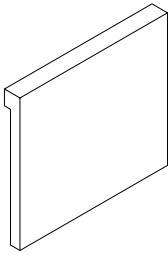
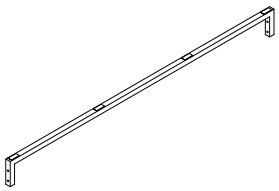
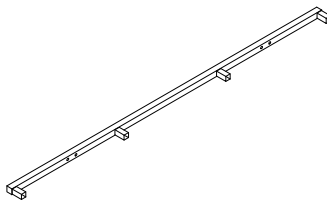
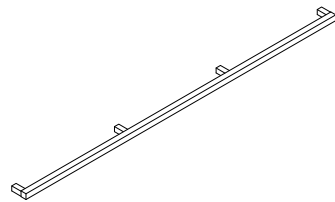
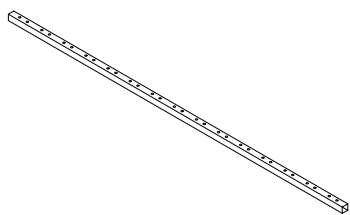
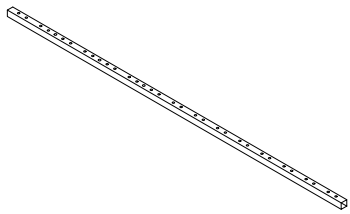
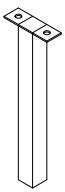
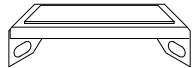
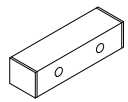
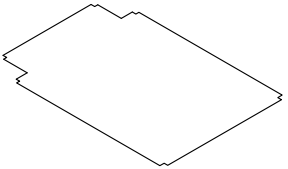
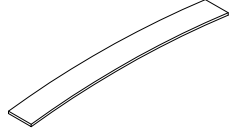
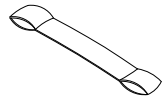
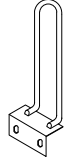
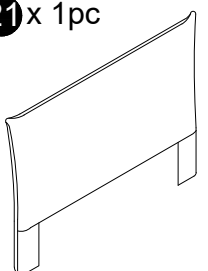
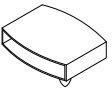
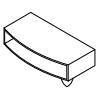

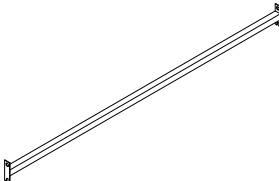
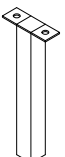
Minimum two  
person assembly



PART LIST


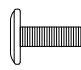




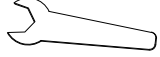


**PART LIST**

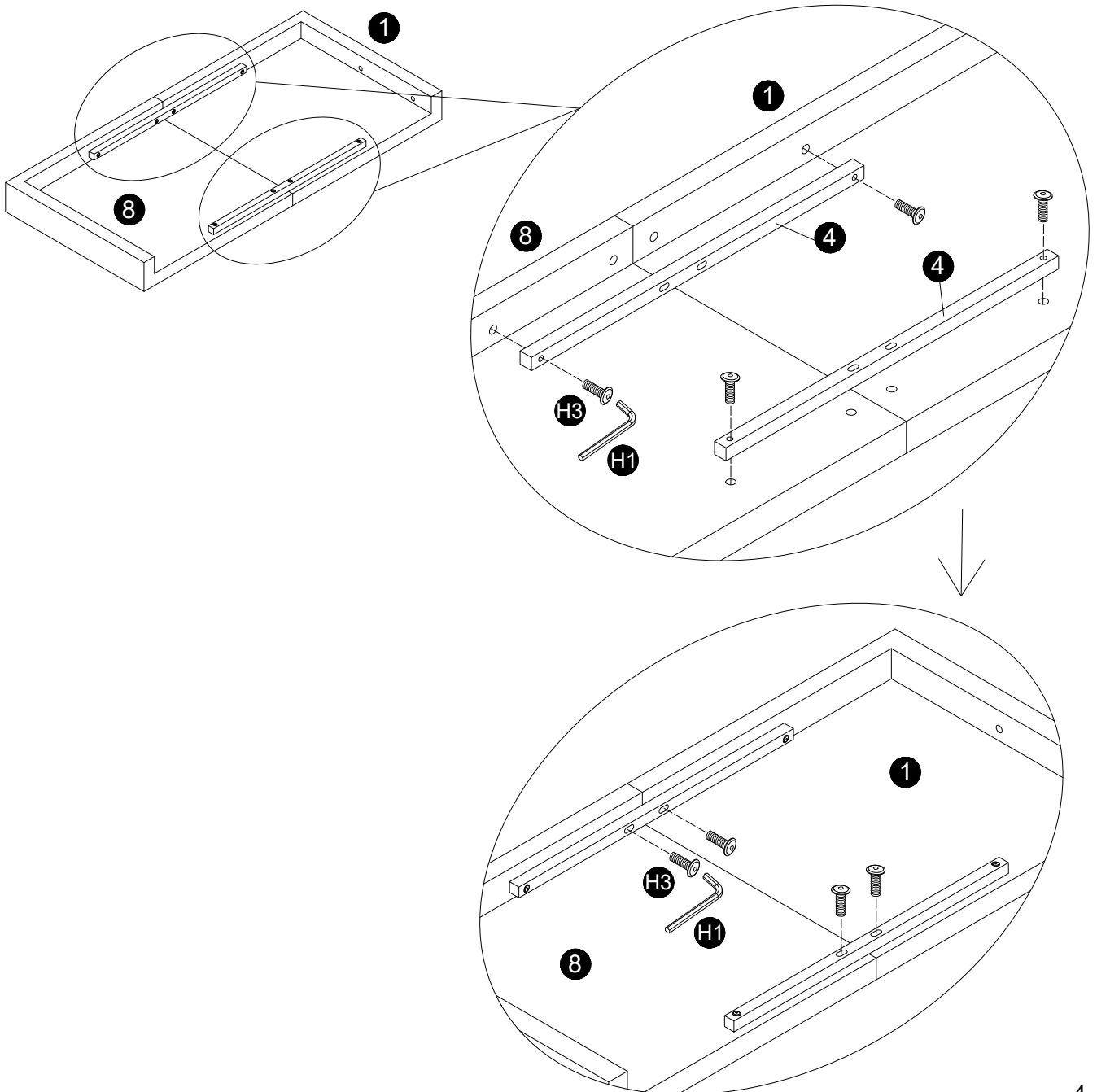
<p><b>1</b> x 1pc</p> 	<p><b>2</b> x 1pc</p> 	<p><b>3</b> x 1pc</p> 	<p><b>4</b> x 2pcs</p> 	
<p><b>5</b> x 1pc</p> 	<p><b>6</b> x 1pc</p> 	<p><b>7</b> x 1pc</p> 	<p><b>8</b> x 1pc</p> 	
<p><b>9</b> x 1pc</p> 	<p><b>10</b> x 1pc</p> 	<p><b>11</b> x 1pc</p> 	<p><b>12</b> x 2pcs</p> 	
<p><b>13</b> x 2pcs</p> 	<p><b>14</b> x 2pcs</p> 	<p><b>15</b> x 2pcs</p> 	<p><b>16</b> x 2pcs</p> 	
<p><b>17</b> x 1pc</p> 	<p><b>18</b> x 45pcs</p> 	<p><b>19</b> x 1pc</p> 	<p><b>20</b> x 2pcs</p> 	<p><b>21</b> x 1pc</p> 
<p><b>22</b> x 30pcs</p> 	<p><b>23</b> x 30pcs</p> 	<p><b>24</b> x 2pcs</p> 	<p><b>25</b> x 1pc</p> 	<p><b>26</b> x 1pc</p> 

Please ensure to thoroughly inspect the small inner cardboard box containing the hardware, which are tied with a red string, before disposing of the box.

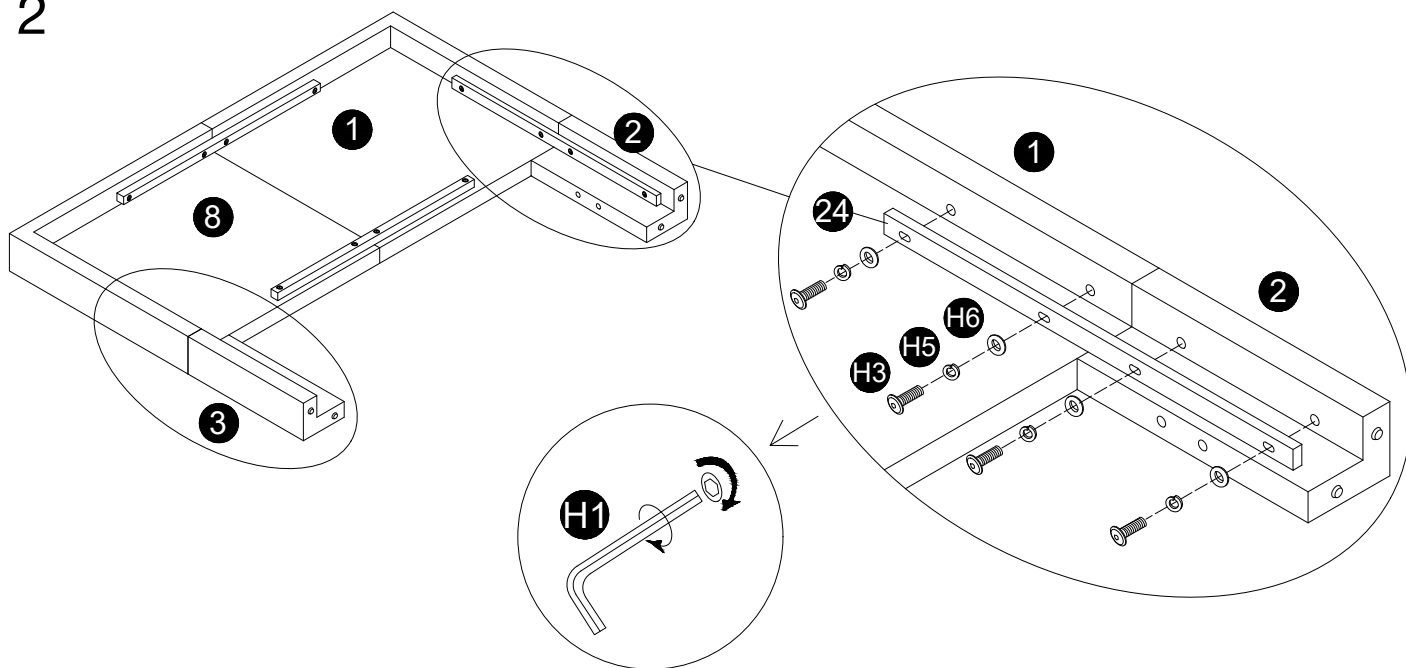
HARDWARE LIST

 <b>H1</b> M5 x 1pc	 <b>H2</b> M8x25mm x 46pcs	 <b>H3</b> M8x50mm x 30pcs	 <b>H5</b> M8 x 14pcs
 <b>H6</b> M8x22mm x 14pcs	 <b>H7</b> M8 x 6pcs	 <b>H8</b> M14 x 1pc	

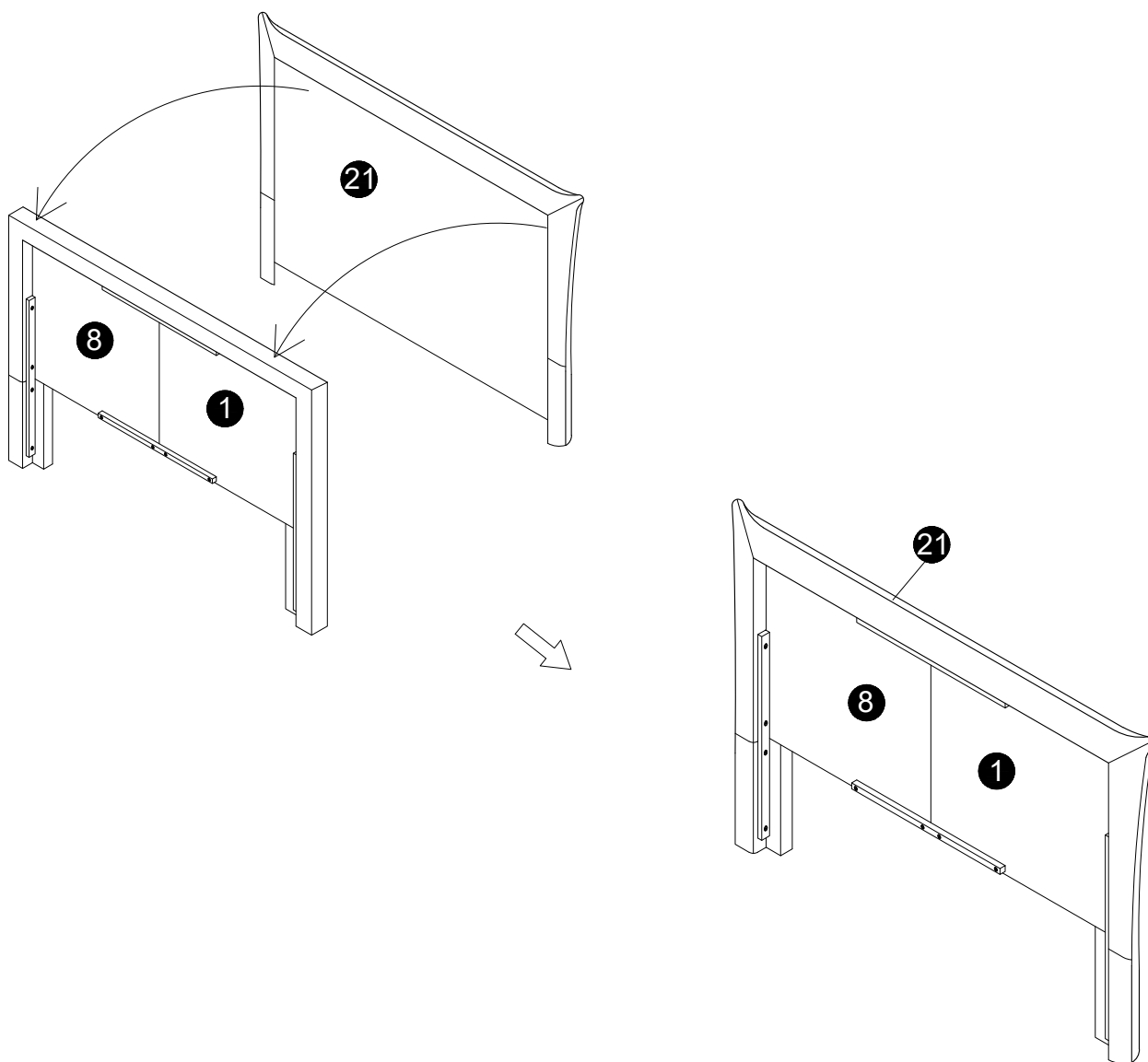
1



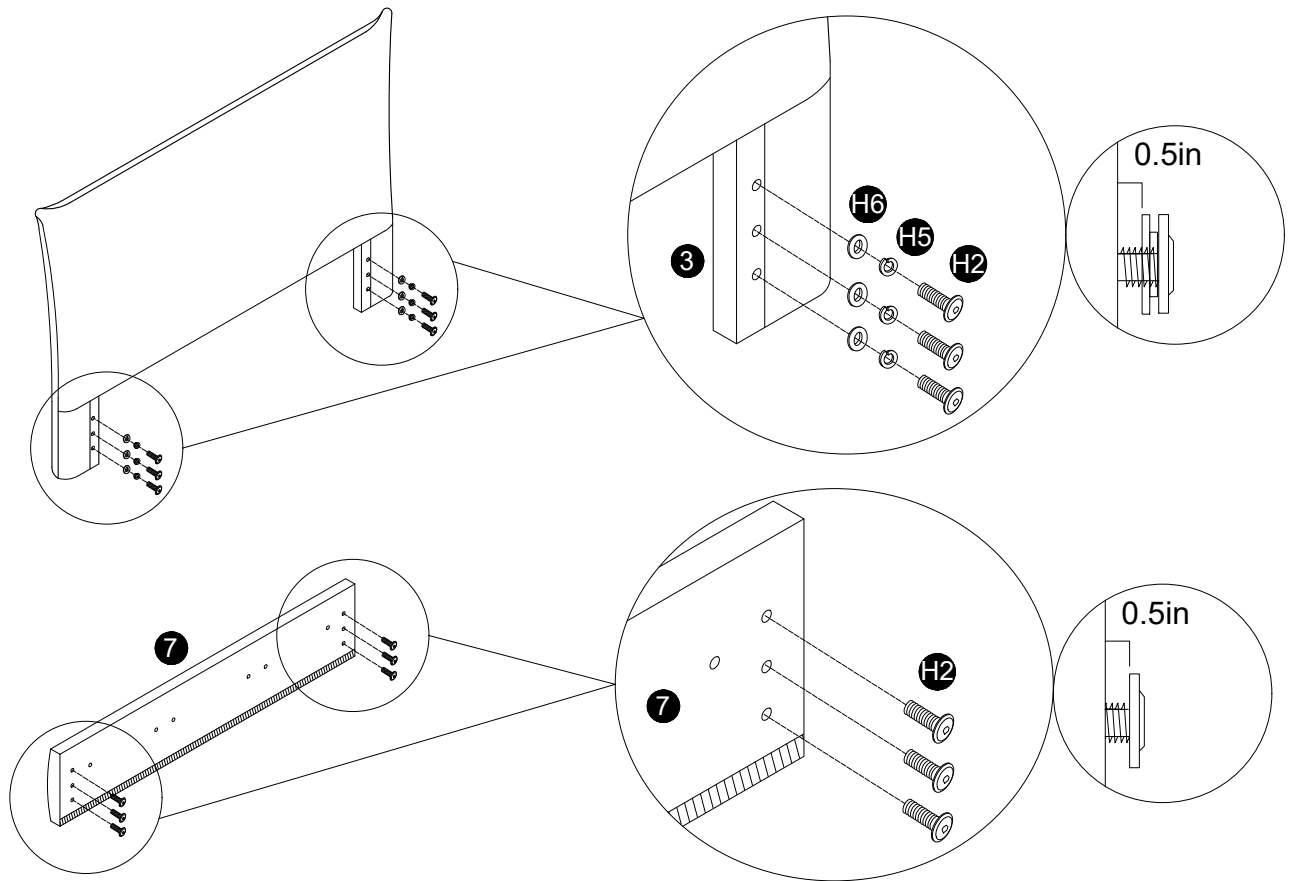
2



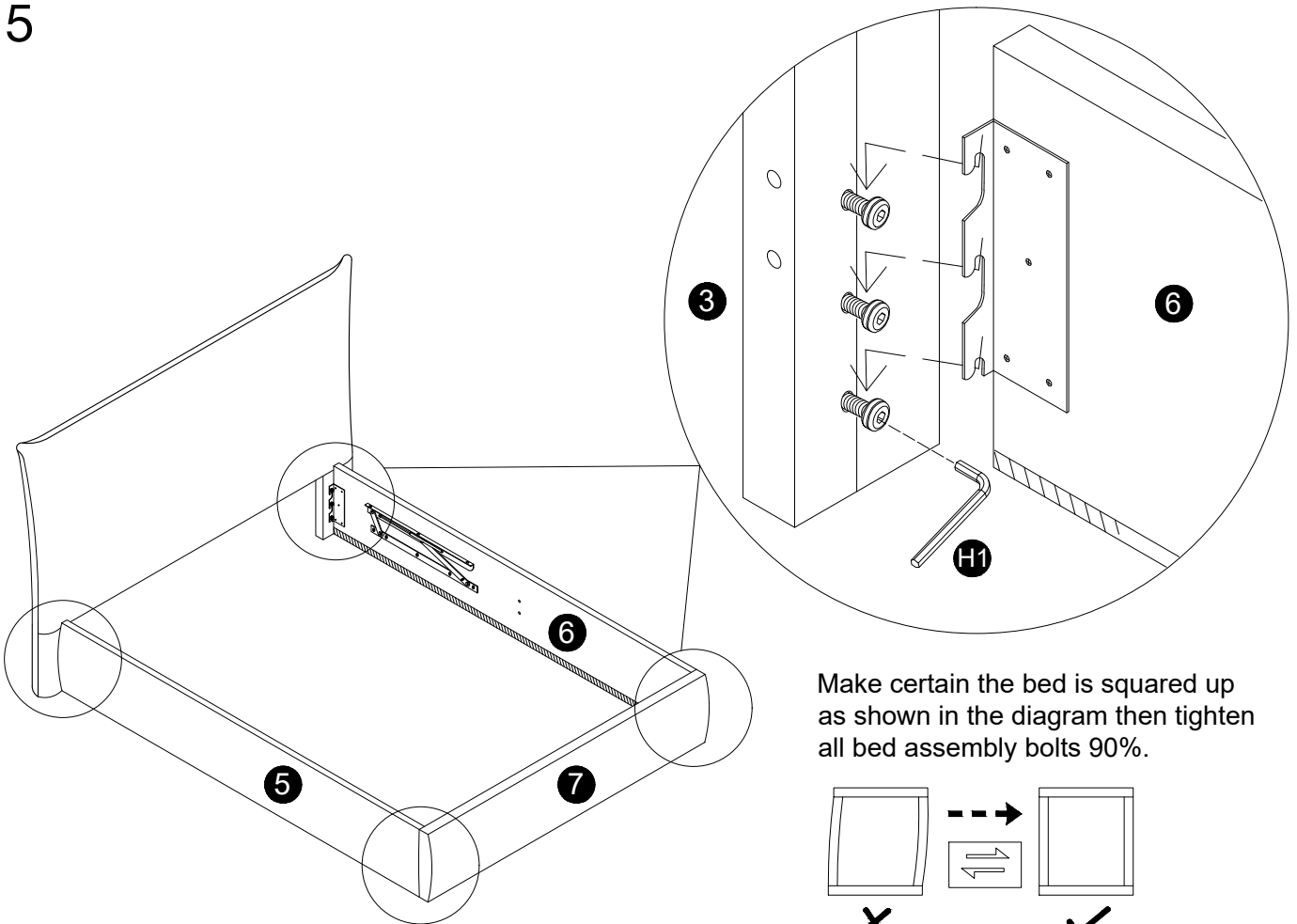
3



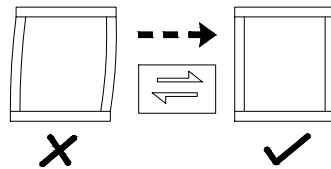
4



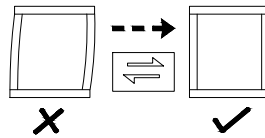
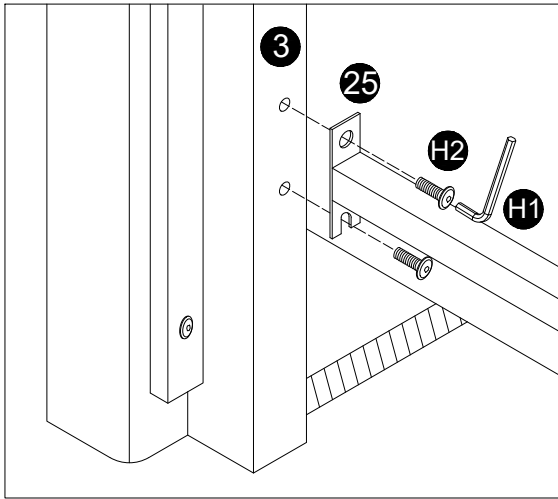
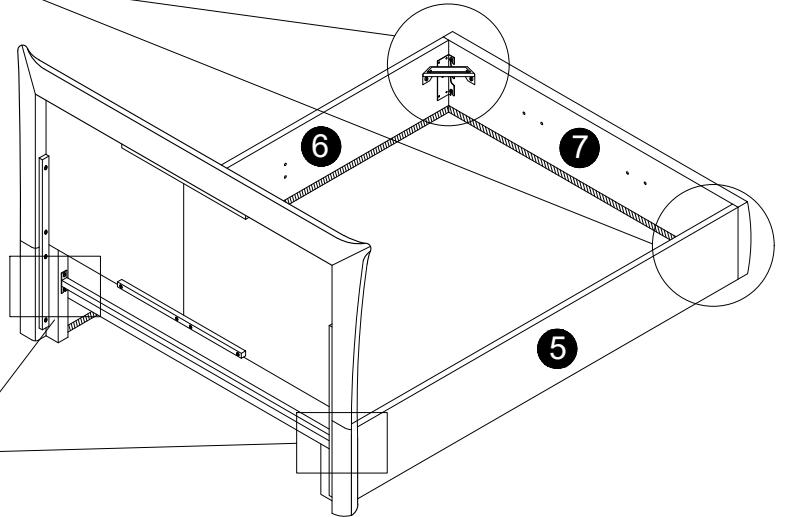
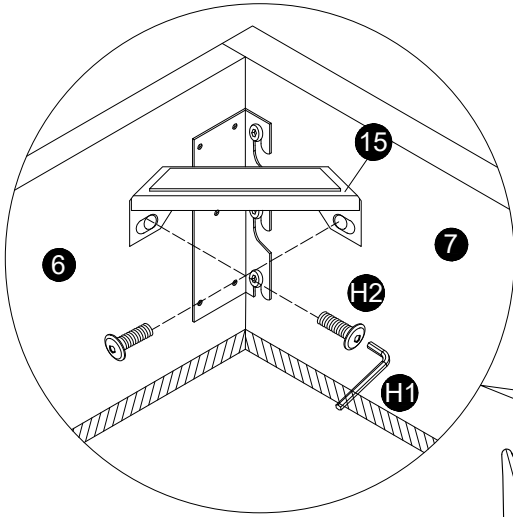
5



Make certain the bed is squared up as shown in the diagram then tighten all bed assembly bolts 90%.

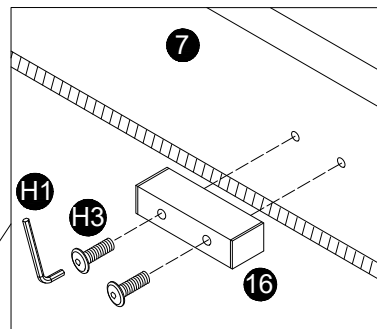
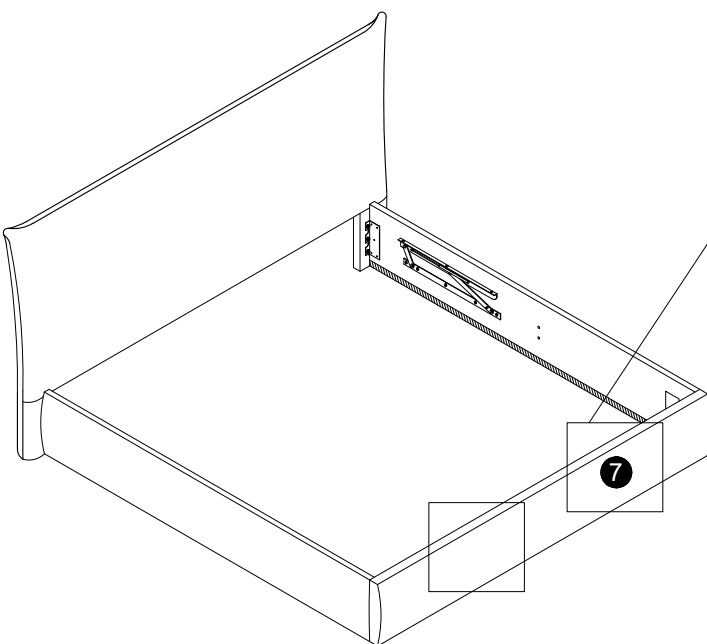


6

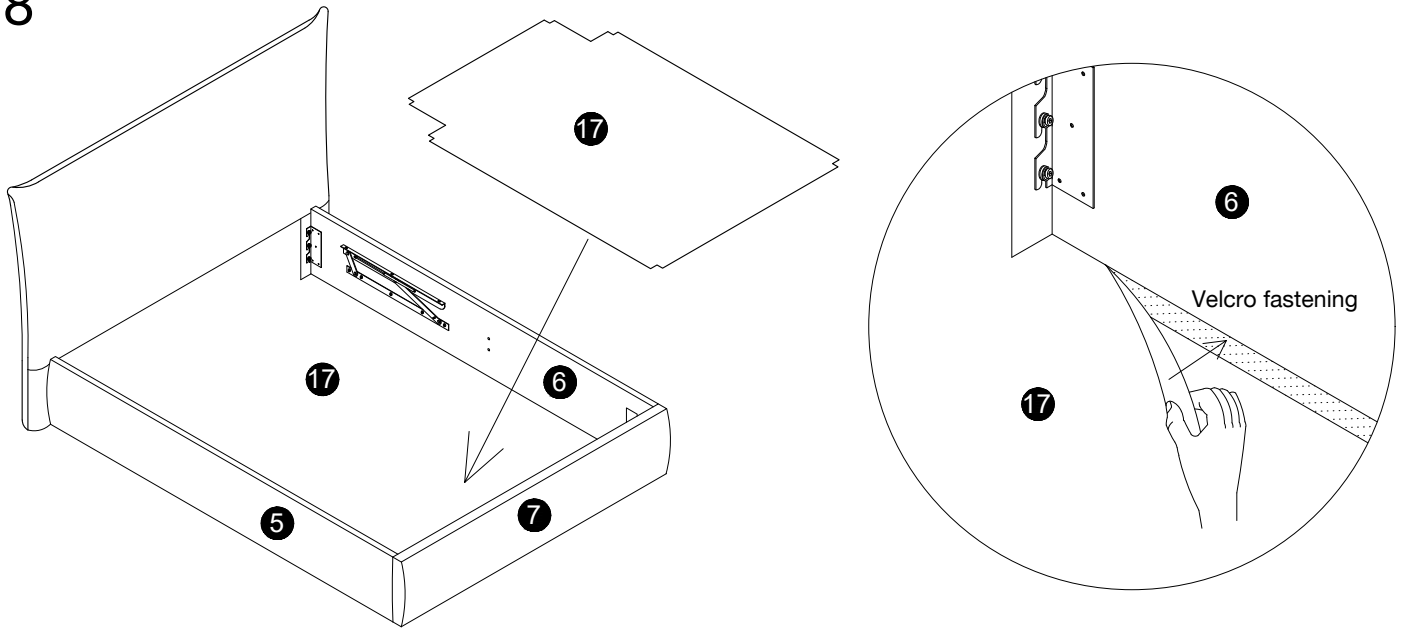


Make certain the bed is squared up as shown in the diagram then tighten all bed assembly bolts 100%.

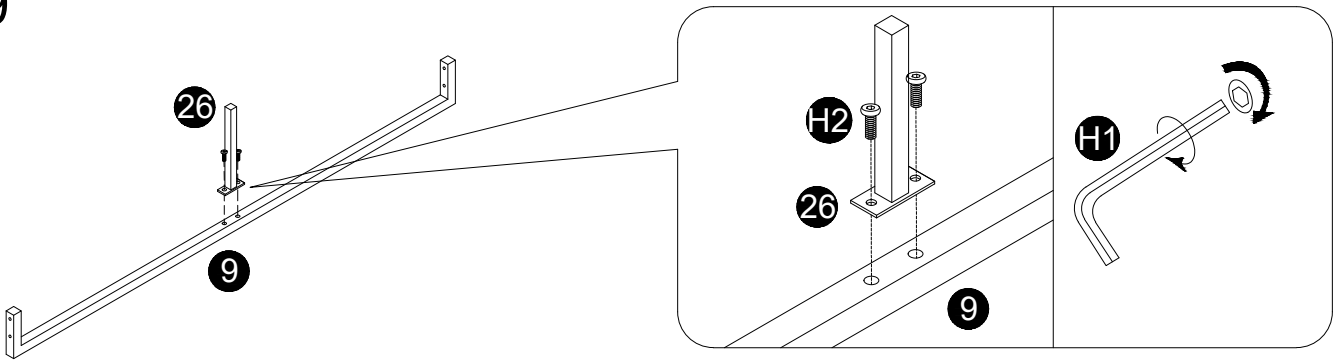
7



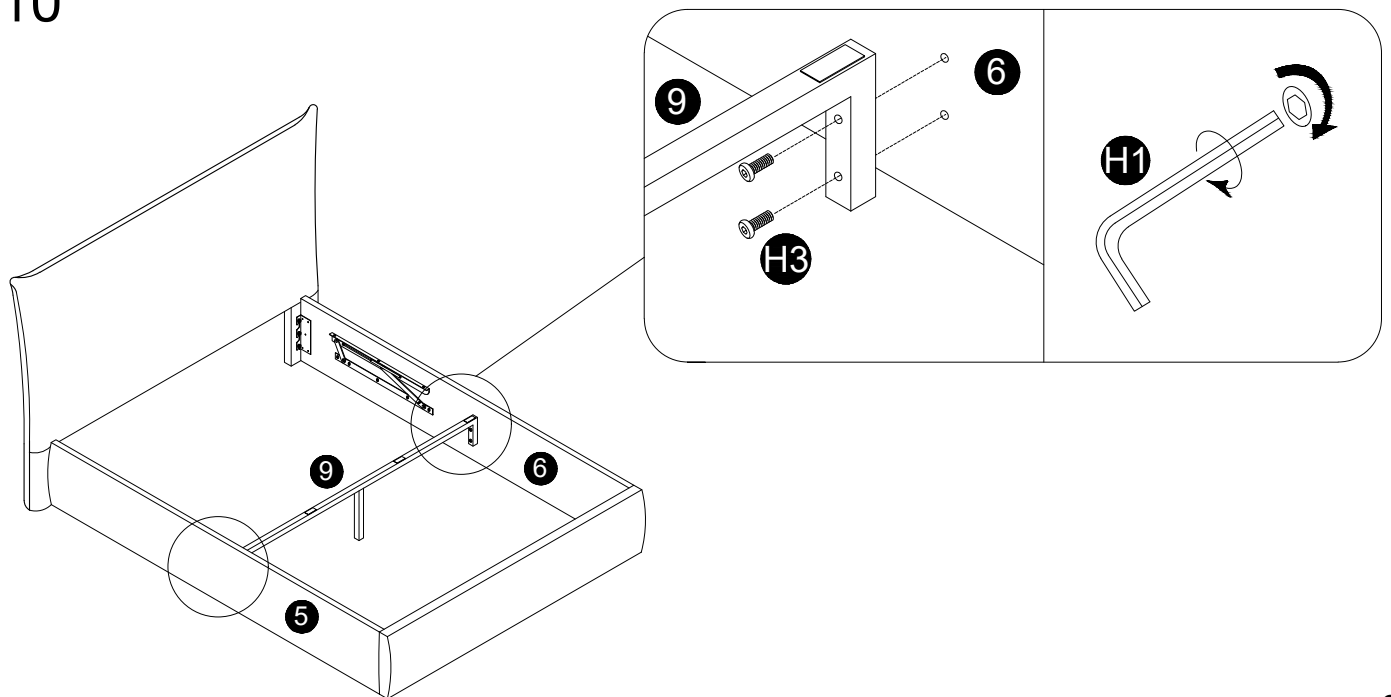
8



9

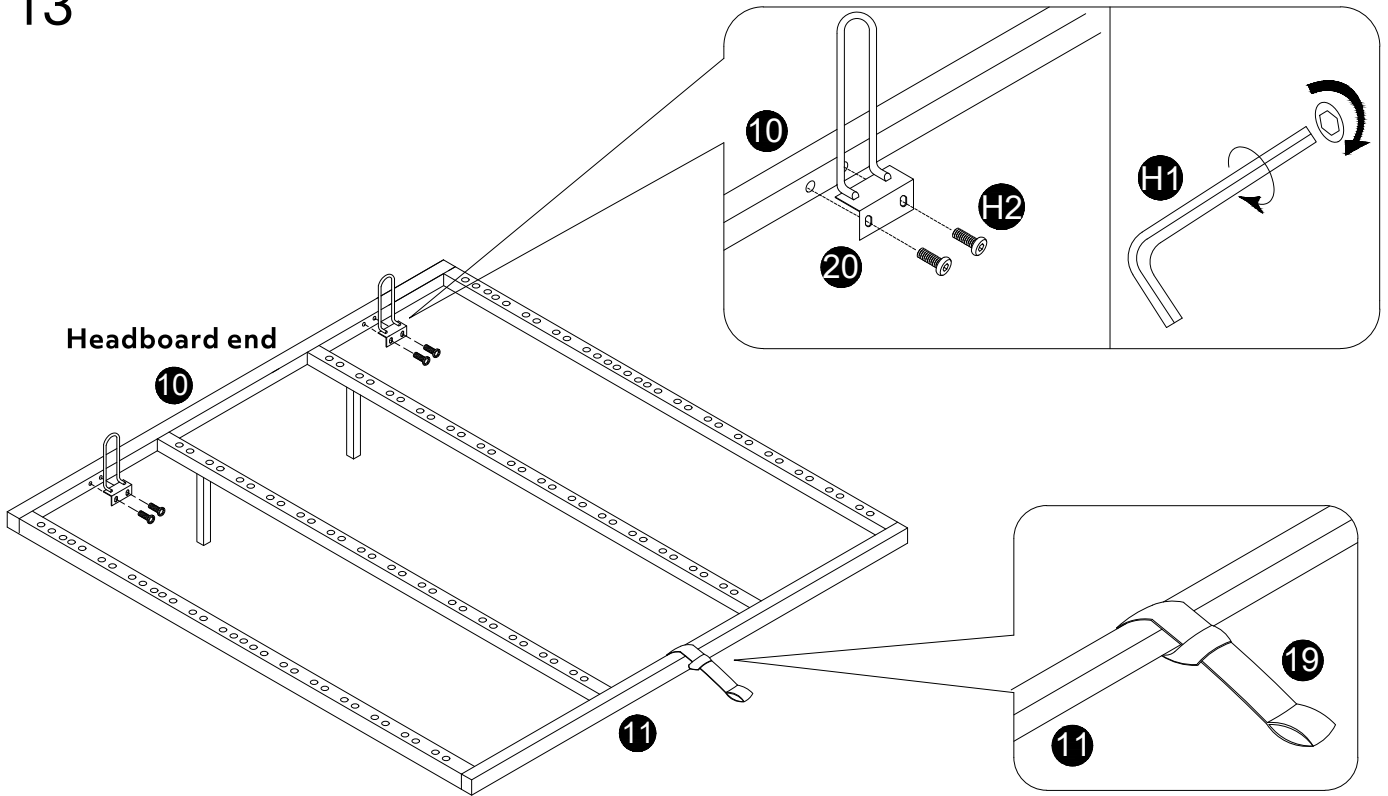


10

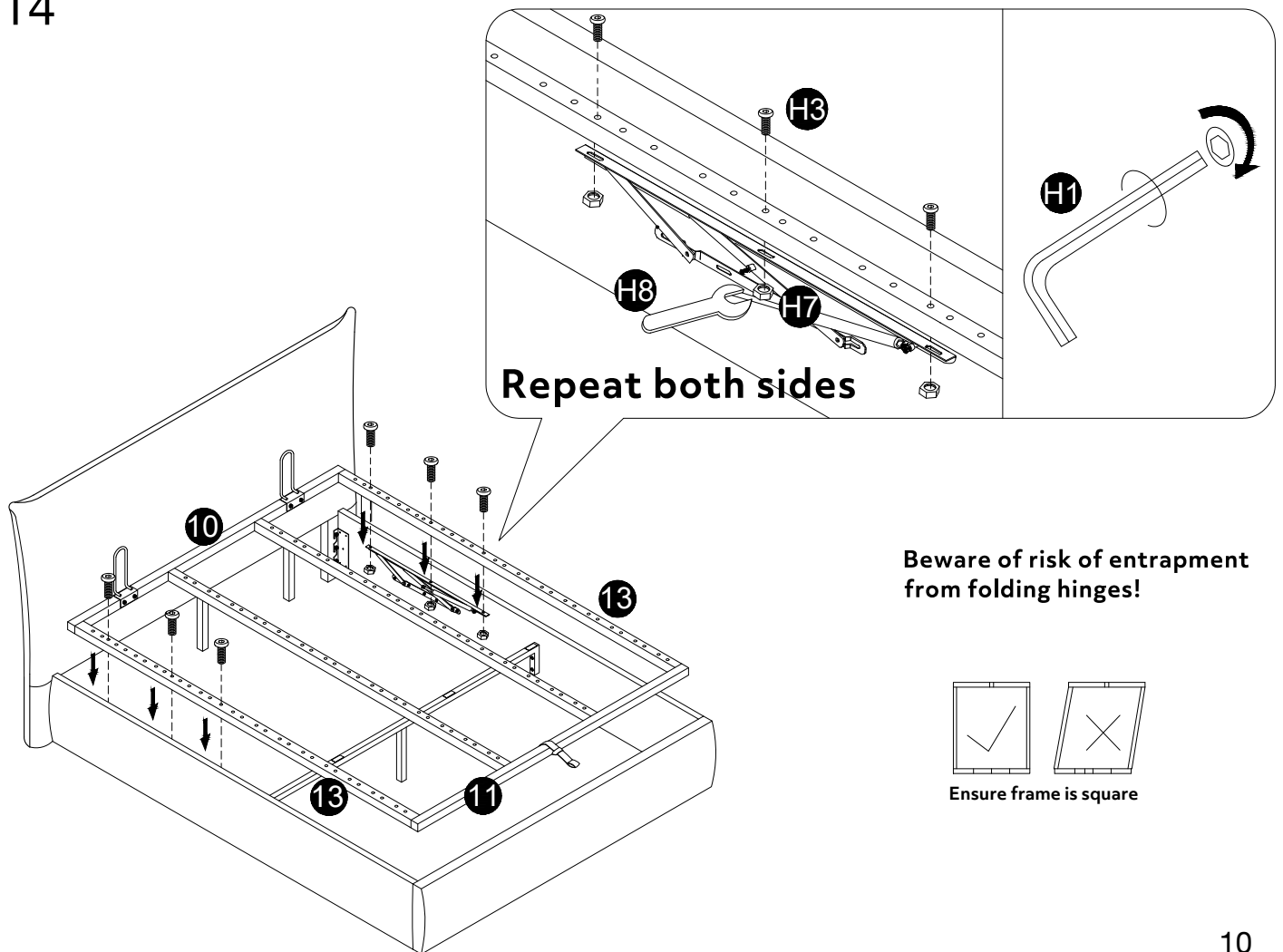




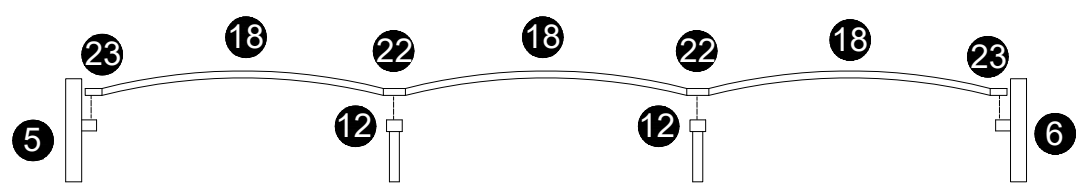
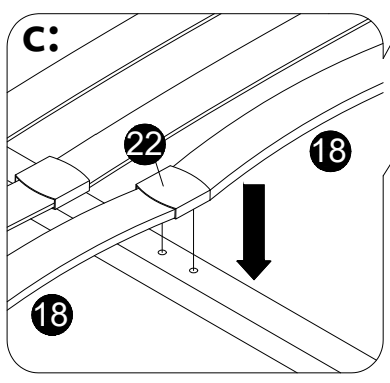
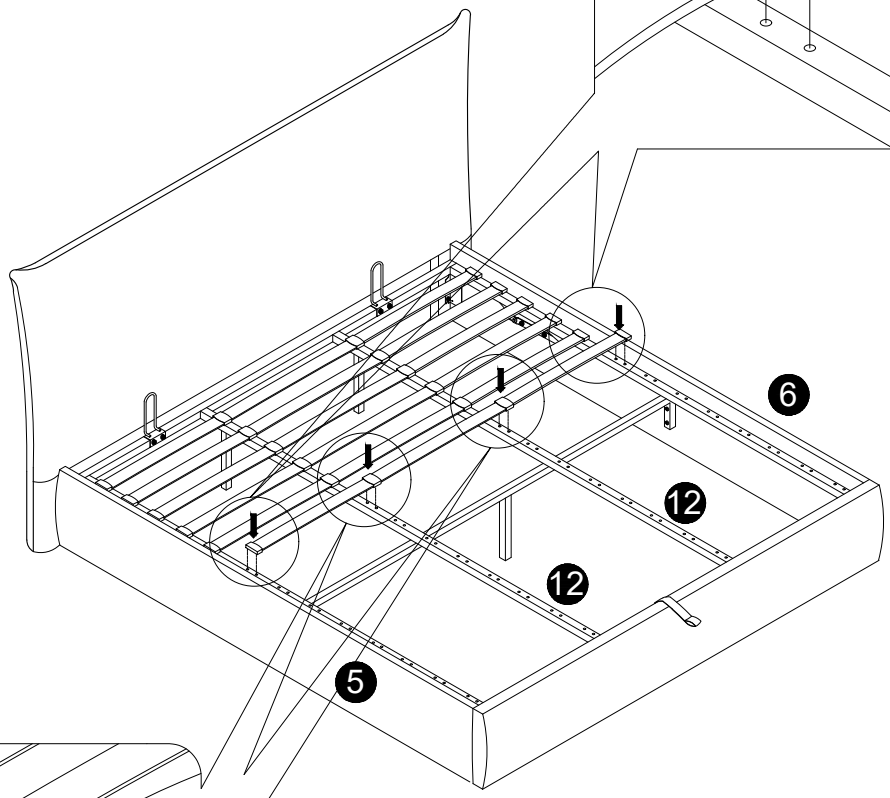
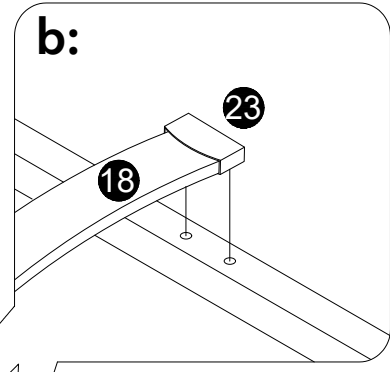
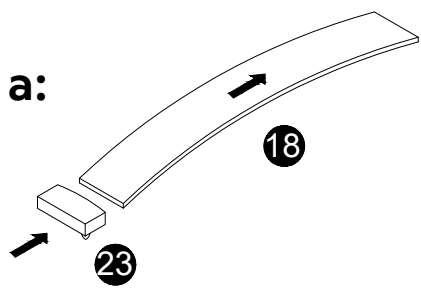
13



14

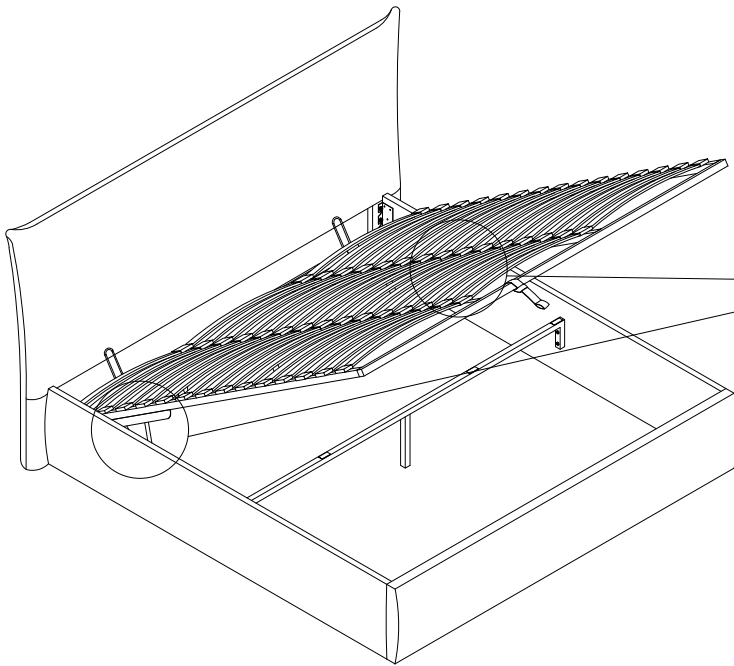


15

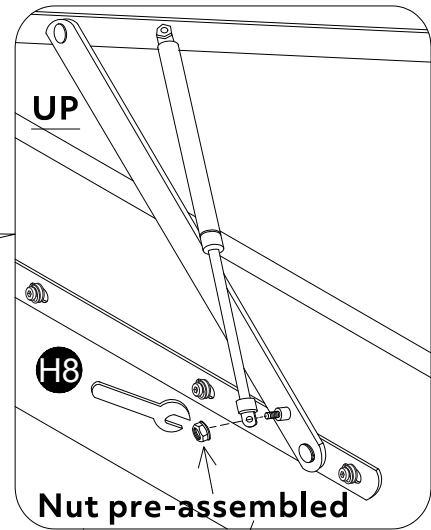


Slats to arch upwards

16



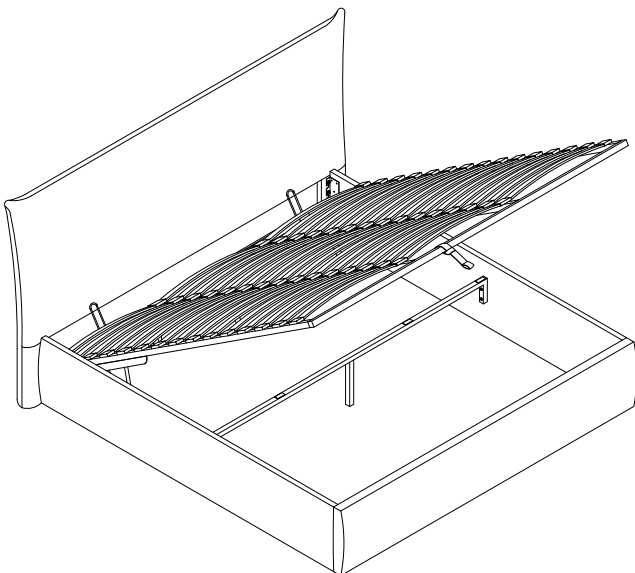
**Warning: Two people required. Frame to be fully supported at all times!**



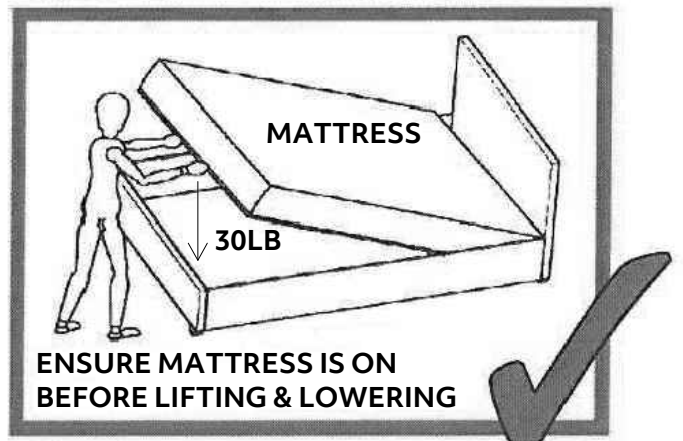
**Repeat both sides**

**Important:** Before proceeding, check and ensure all screws and fixings are fully tightened.

17



**After placing the mattress on frame, push down the frame with 30lbs force.**



**!** Only lift when the mattress is in place. Place mattress & Carefully lower frame down. Keep objects/body part & children away from moving parts.

**Job Complete !**

*In the interest of our environment please dispose of all packaging thoughtfully.*