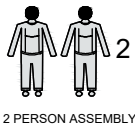


140 MIN  
APPROXIMATE  
ASSEMBLY TIME



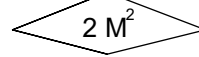
2 PERSON ASSEMBLY

Number of  
packages



REQUIRED  
ASSEMBLY SPACE

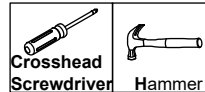
FLOOR AREA 1M x 2M



## Maintenance skills

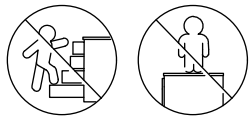
1. Use a clean and soft cloth to remove dust regularly; do not use solvents;
2. If you are in a humid environment for a long time, you must ventilate and exhaust moisture to avoid the furniture from being immersed in water;
3. Keep away from high temperature sources such as stoves, radiators, etc. to prevent the furniture from deforming.

Tools needed:

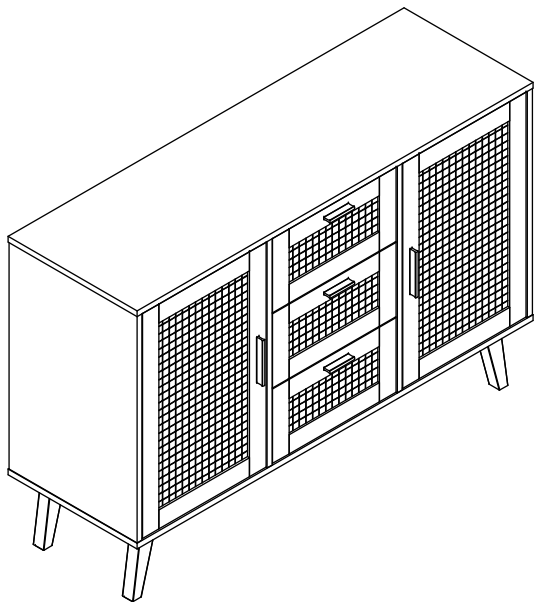


Crosshead Screwdriver Hammer

## Assembly Manual



Climbing Prohibit



Please read this manual carefully before any operation and keep it properly for future use.

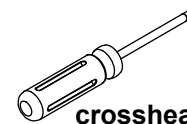
## WARNING

Keep all parts out of the children's reach.

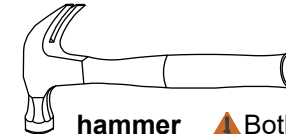
IMPORTANT: Tipping can injure young children.

## NOTE

- You need to have a crosshead screwdriver and hammer beforehand.



crosshead screwdriver

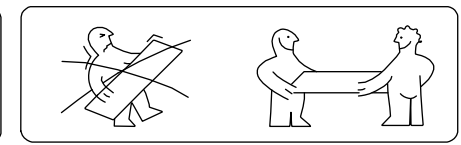
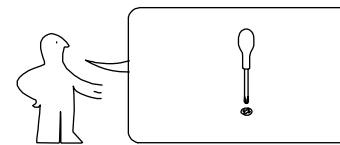


hammer

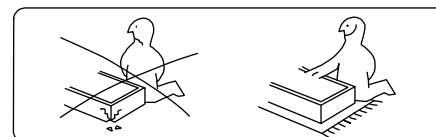
⚠ Both not included in package.

- Place all the panels on a clean and smooth surface, such as a rug or carpet, to prevent them from being scratched.
- Make sure that all parts in your product package, including panels and accessories, match up with those listed in the **Panels & Accessories list**.
- Don't tighten screws or bolts until all the pieces are fitted.
- It is recommended to have 2 persons to complete the assembly.

## NOTE

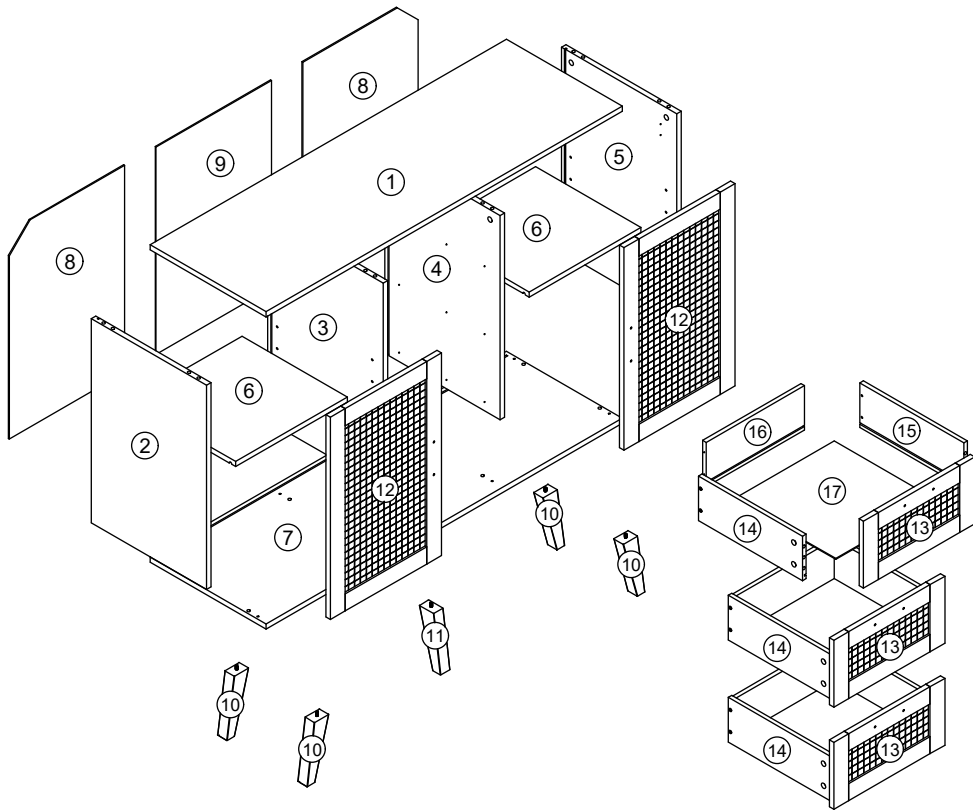


① Safe carriage, multi-people are needed.



② Handle with care, protective layer is required.

Exploded View



Panel List

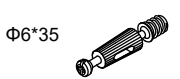


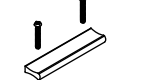
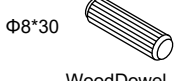

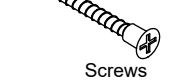


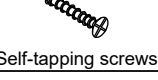
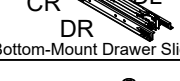
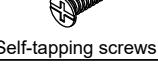

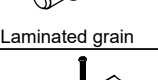
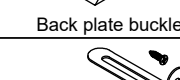
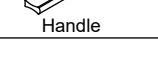

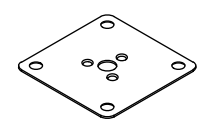


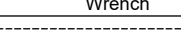
Please check the Panel list before installation.

Item no.	Reference Image	Qty.
①		1X
②		1X
③		1X
④		1X
⑤		1X
⑥		2X
⑦		1X
⑧		2X
⑨		1X

Item no.	Reference Image	Qty.
⑩		4X
⑪		1X
⑫		2X
⑬		3X
⑭		3X
⑮		3X
⑯		3X
⑰		3X

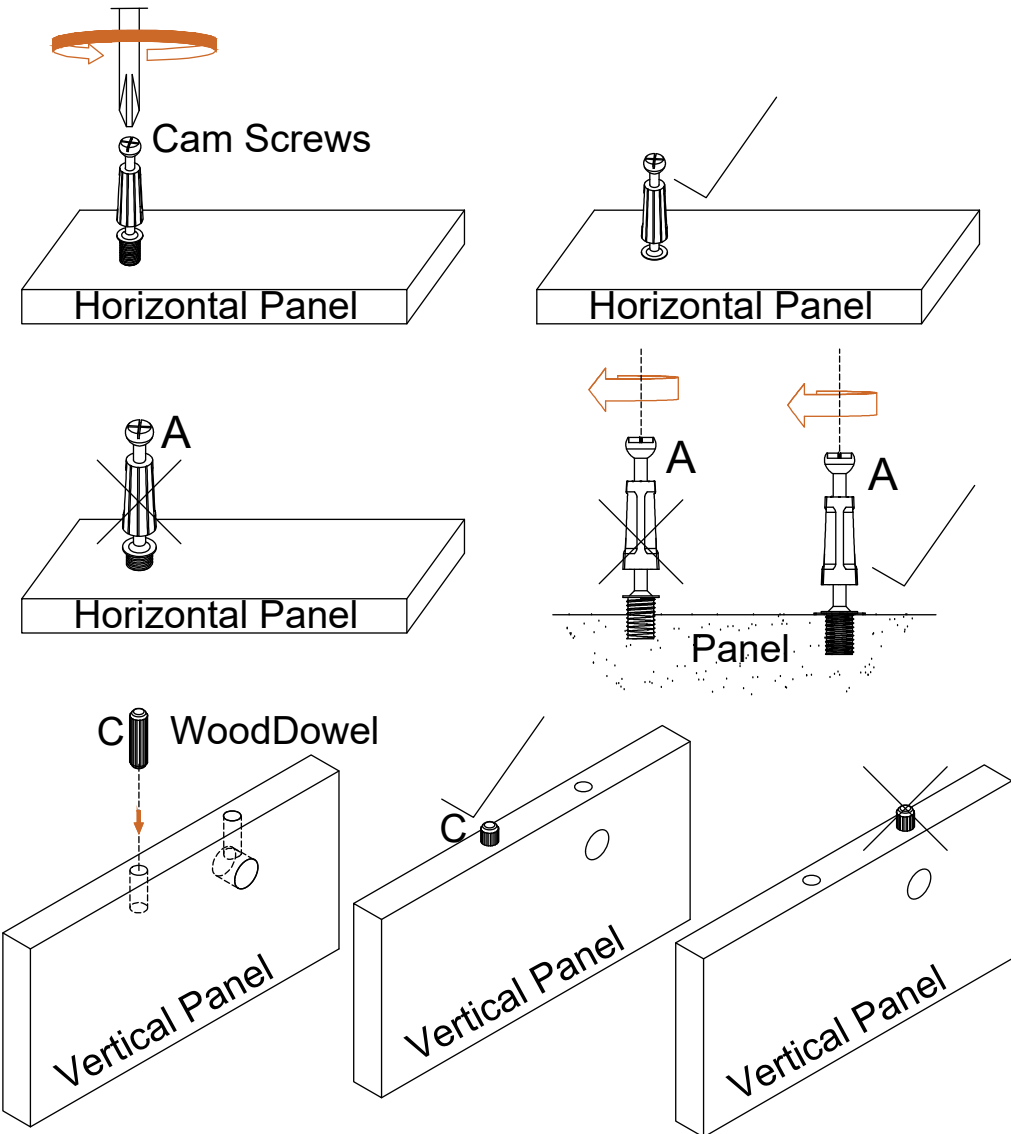
### Accessories List

Please check the Accessories list before installation.

Item no.	Reference Image	Qty.	Item no.	Reference Image	Qty.
A	 Cam Screws	20X	K	 Hinge	4X
B	 Cam Lock Nuts	20X	L	 Handle	3X
C	 WoodDowel	22X	M	 Anti-collision particle	3X
D	 Screws	8X	N	 Adjuster foot	1X
E	 Self-tapping screws	42X	O	 Self-tapping screws	12X
F	 Detachable Symmetrical parts Bottom-Mount Drawer Slide Kit	3X	P	 Self-tapping screws	12X
G	 Wooden leg fixing accessories	5X	Q	 Laminated grain	8X
H	 Back plate buckle	18X	R	 Handle	2X
I	 Anti-inverted parts	2X	   G-1      G-2      G-3		
J	 Wrench	1X			

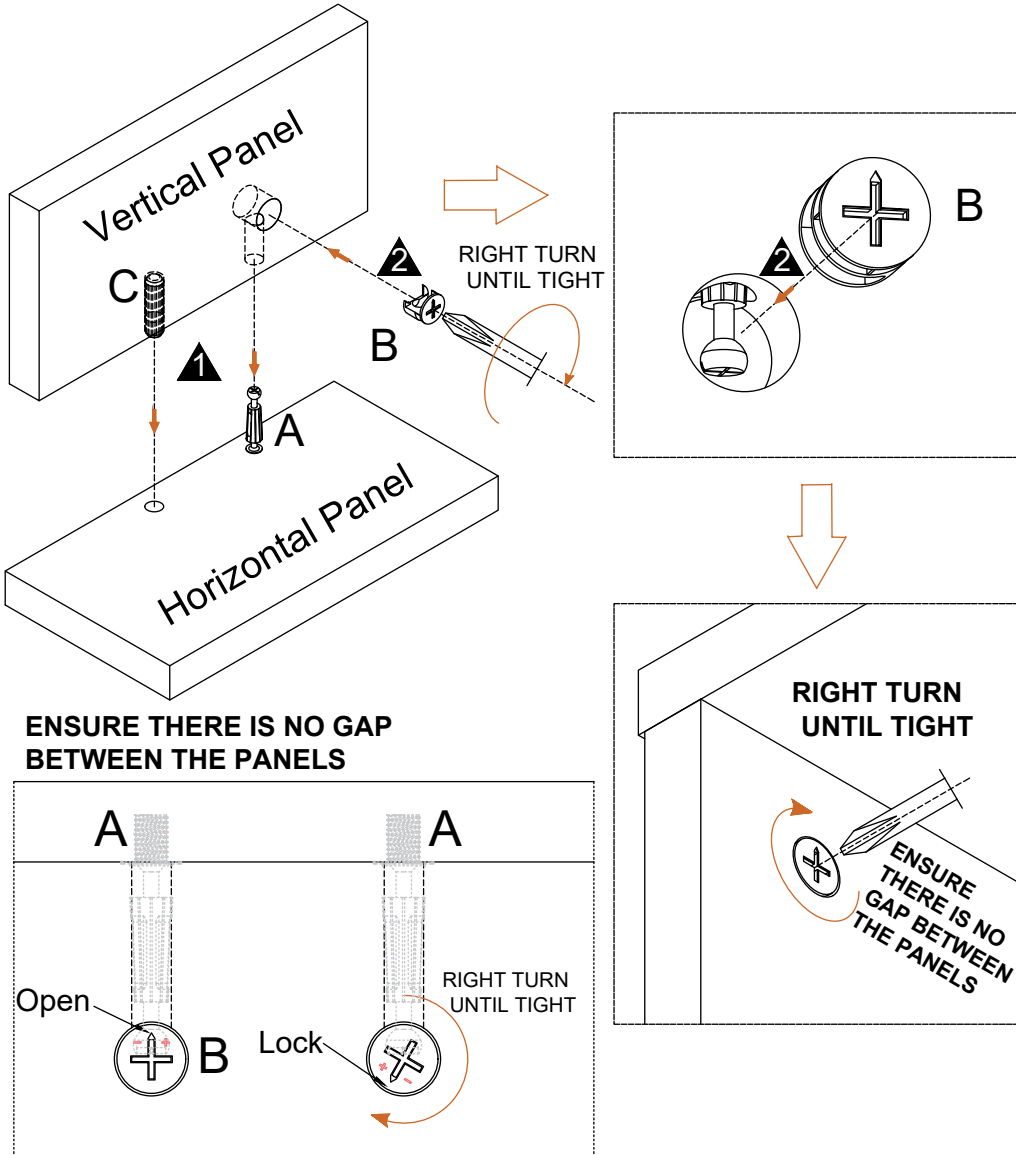
### IMPORTANT PRECAUTIONS

Use Cam Screws 、 Cam Lock Nuts、



### IMPORTANT PRECAUTIONS

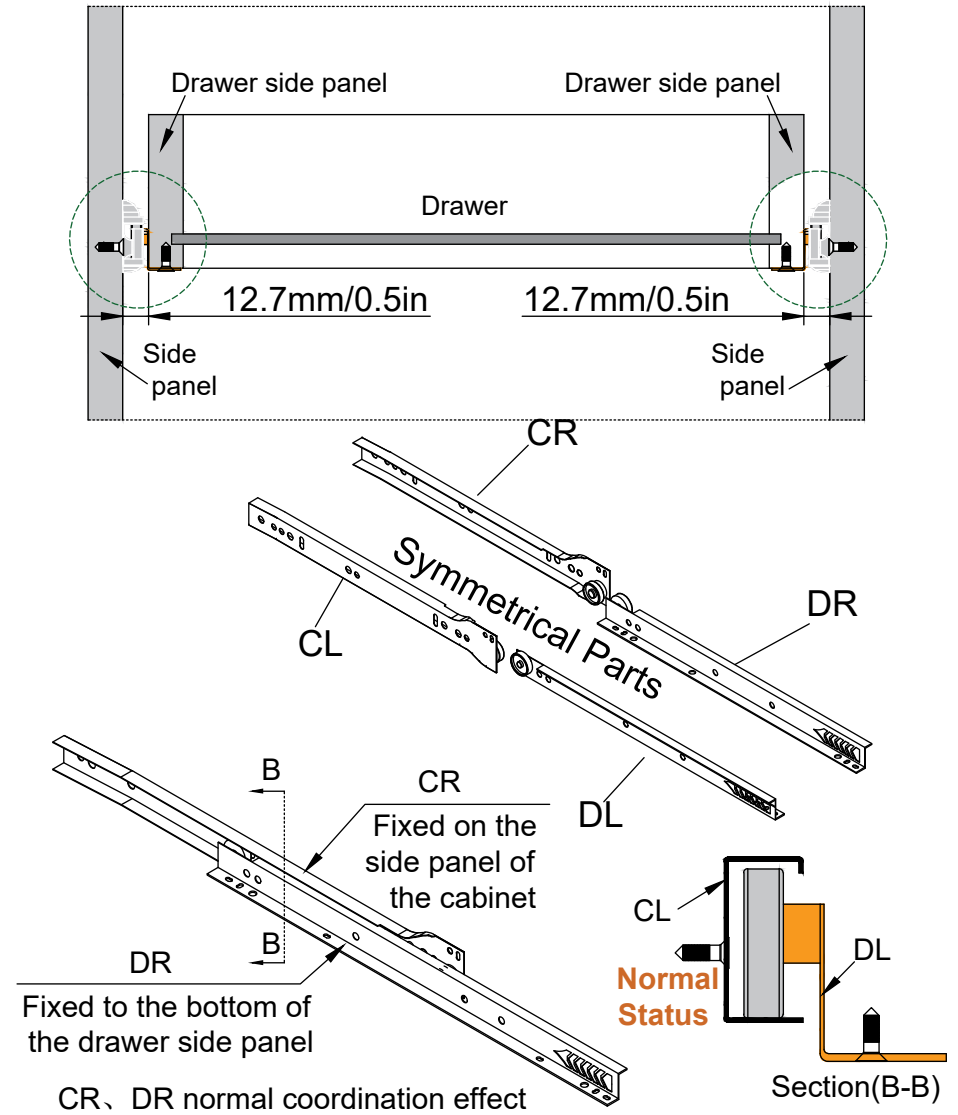
Use Cam Screws, Cam Lock Nuts, Dowel Kit(b)



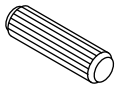
### IMPORTANT PRECAUTIONS

Use Accessory "F"

#### Bottom-Mount Drawer Slide Kit



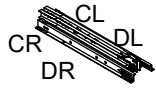
1



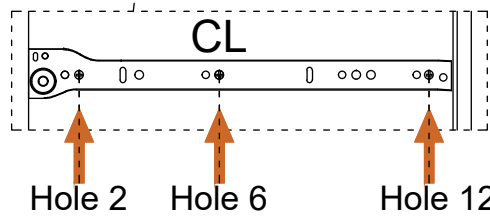
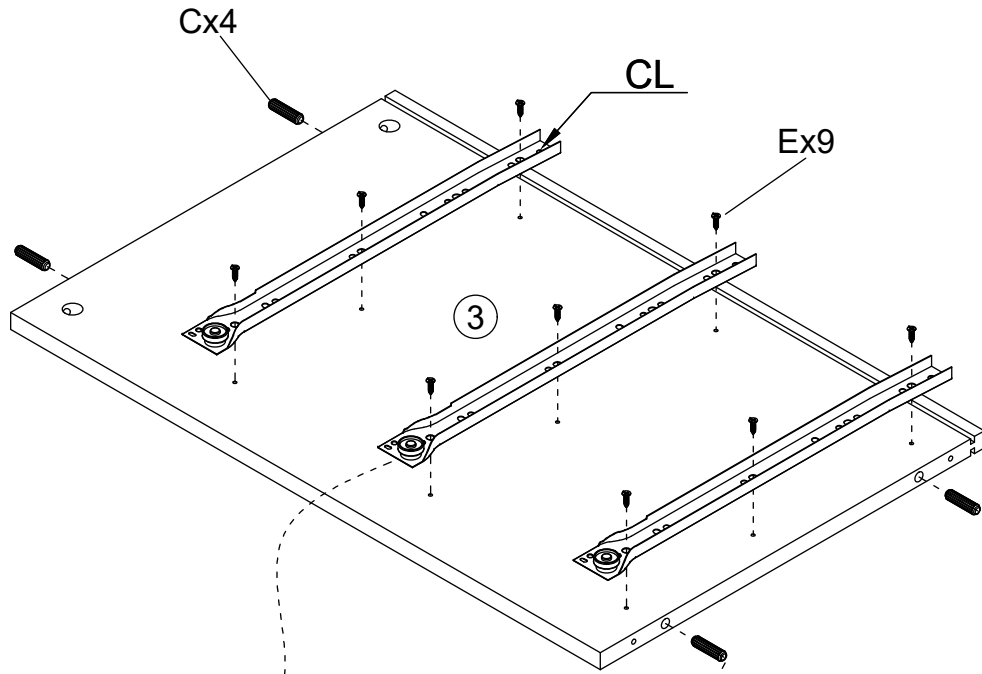
C :4X



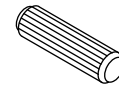
E :9X



F :3X



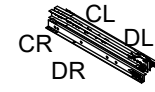
2



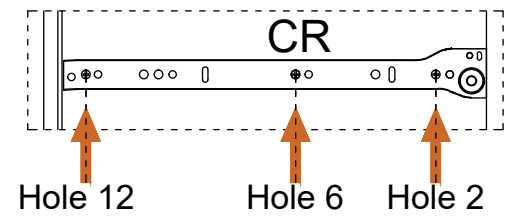
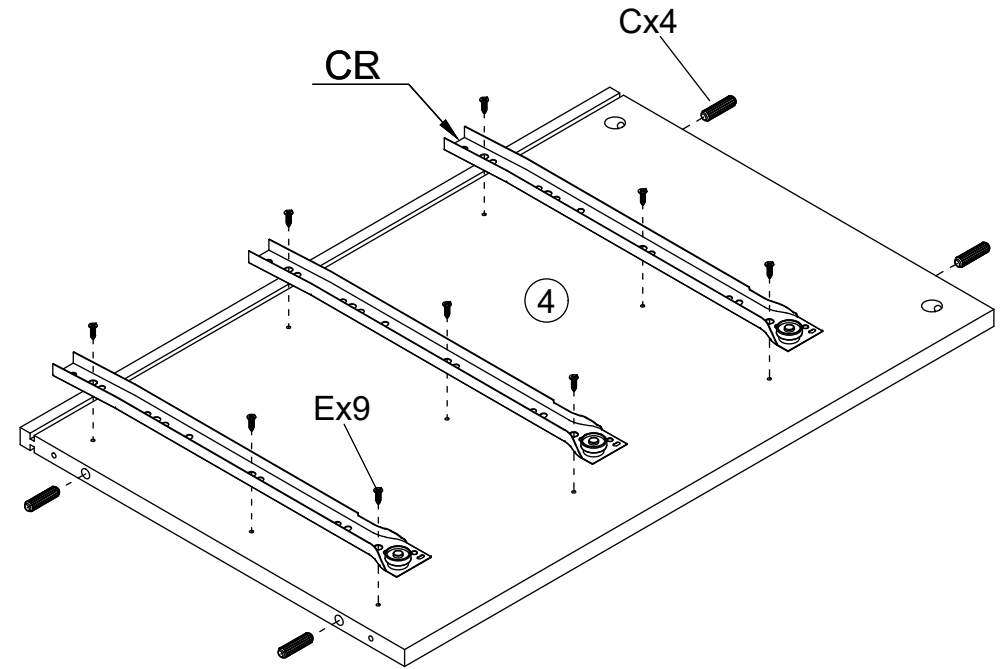
C :4X



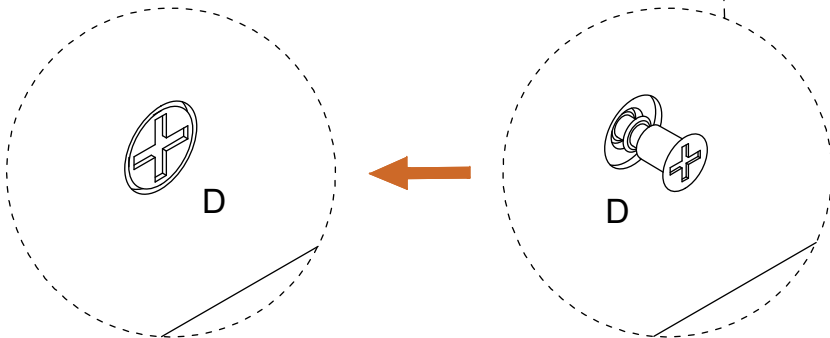
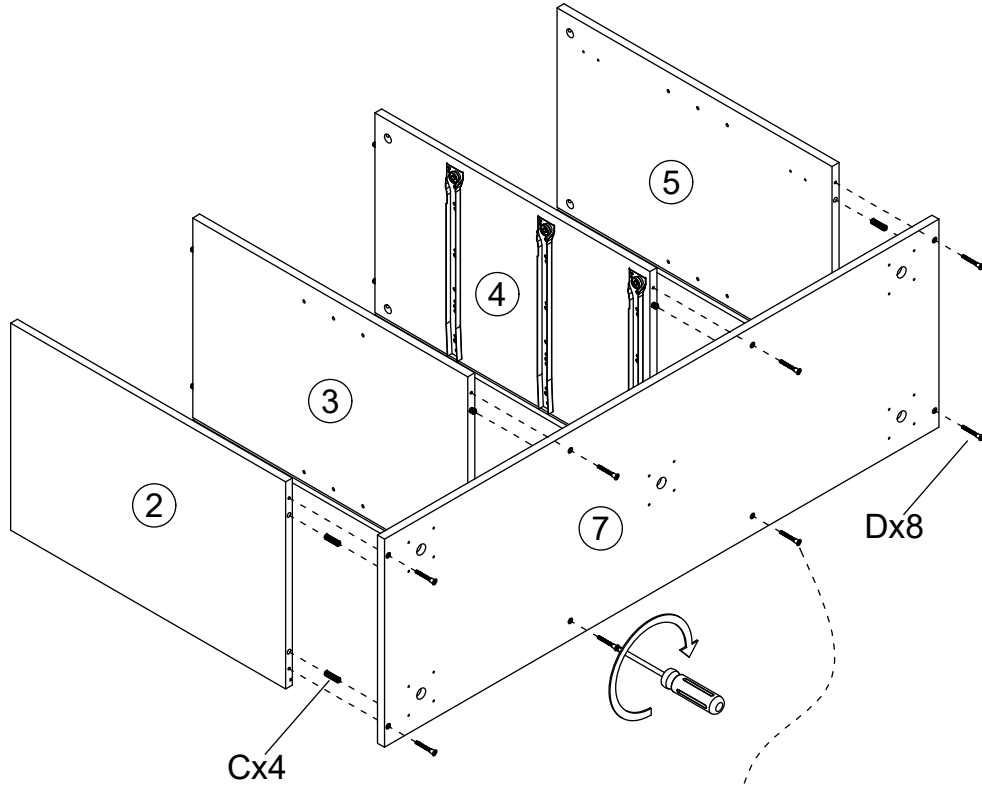
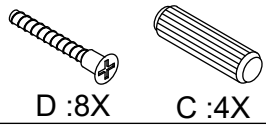
E :9X



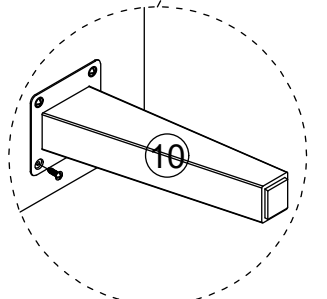
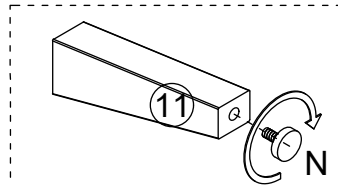
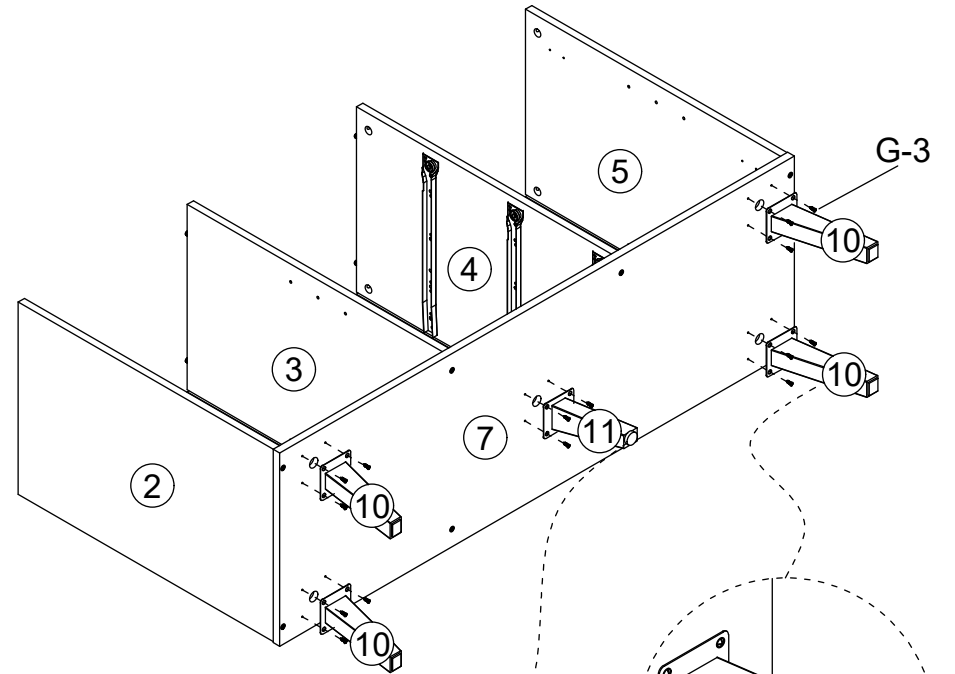
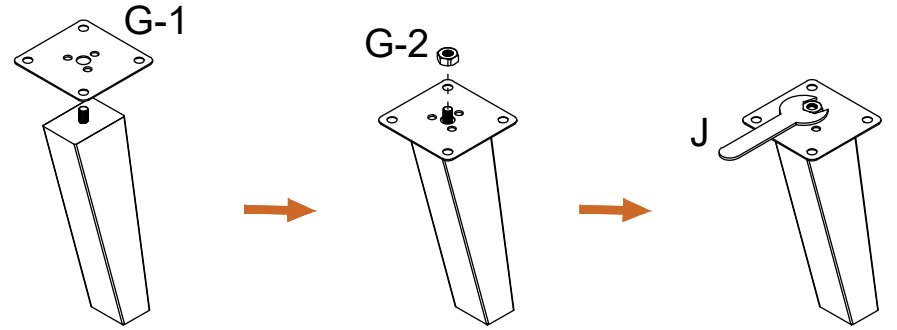
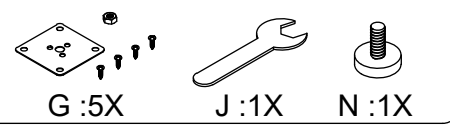
F :3X



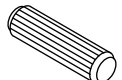
3



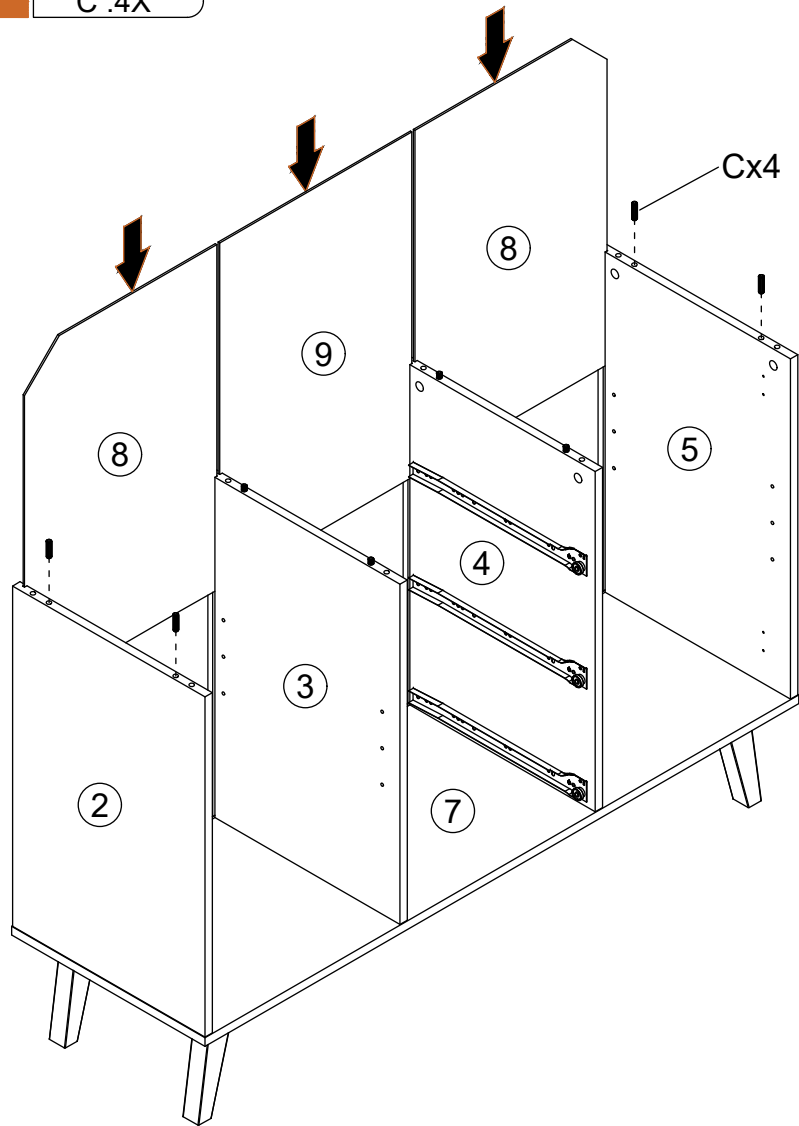
4



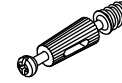
5



C : 4X



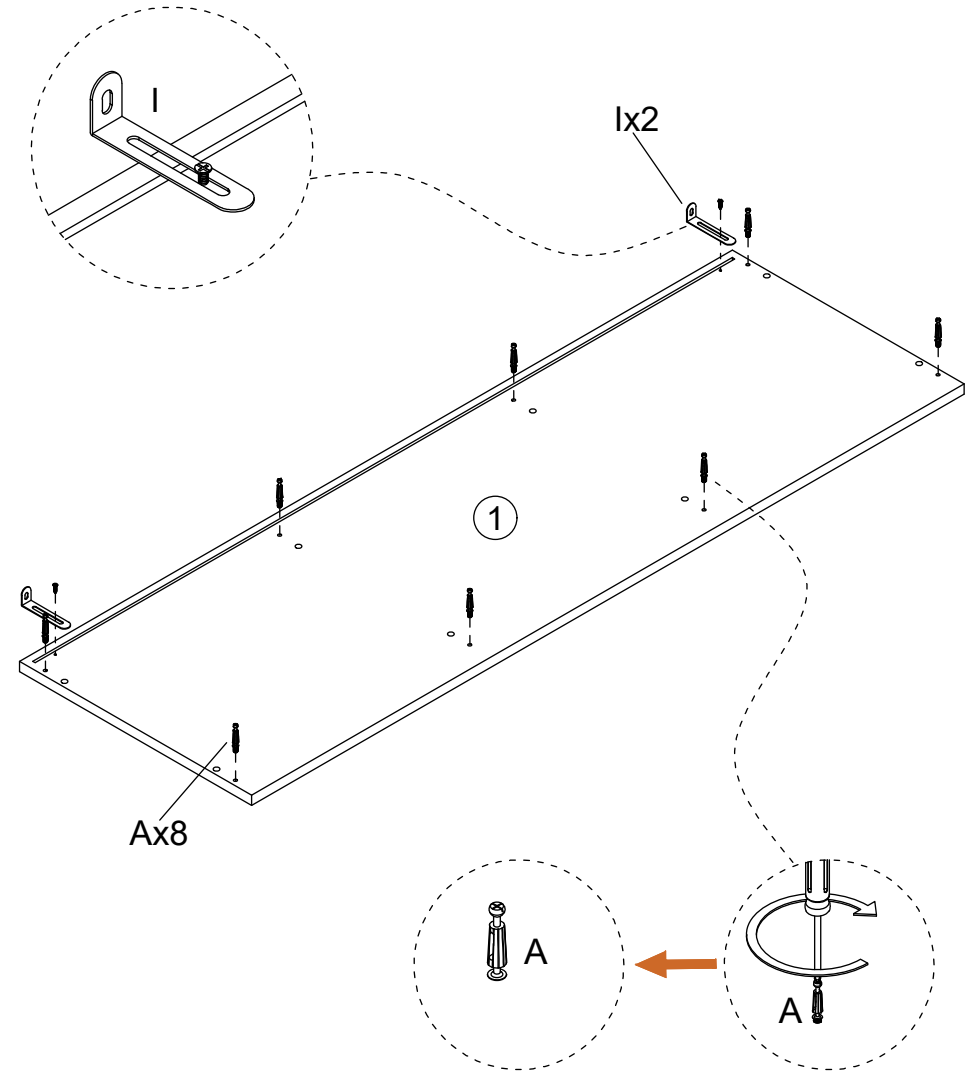
6



A : 8X



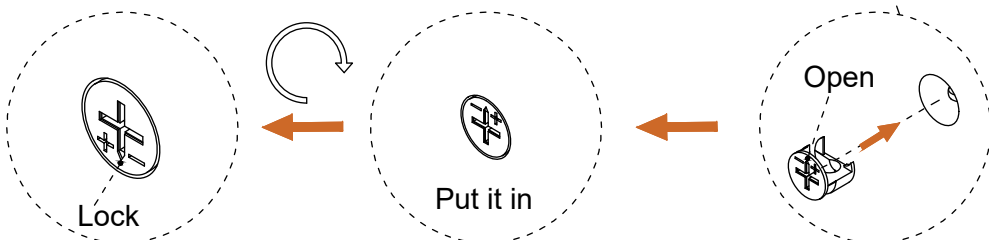
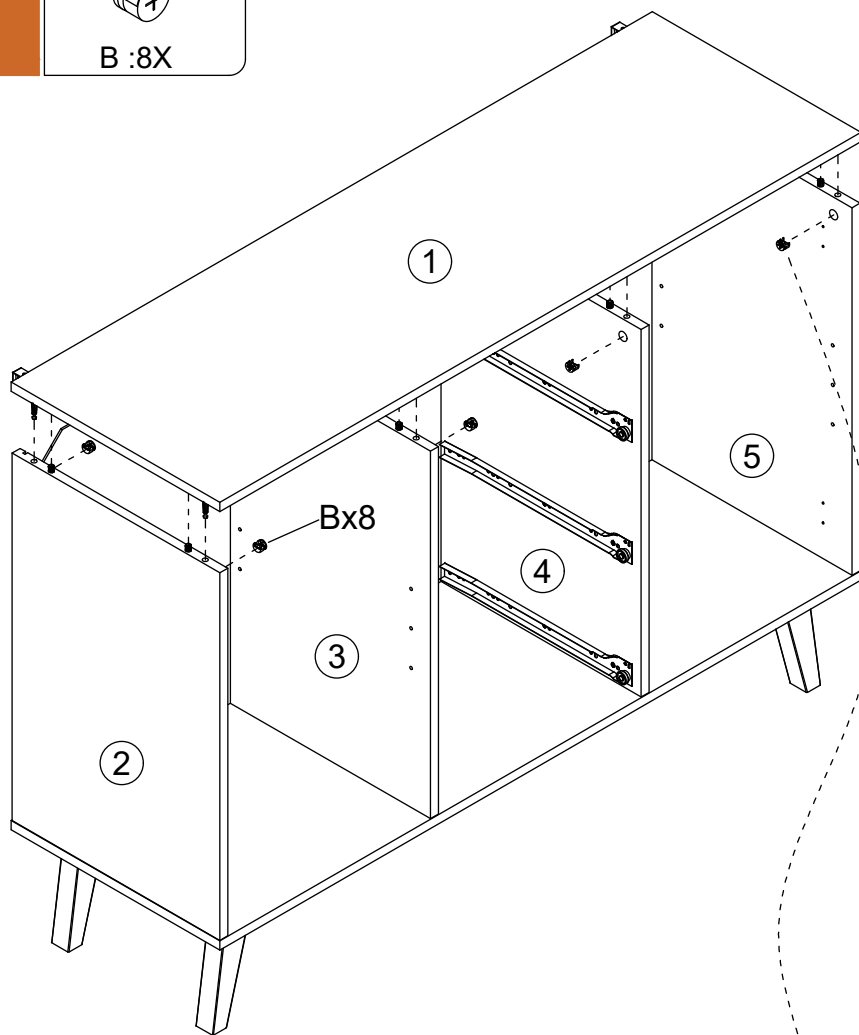
I : 2X



7

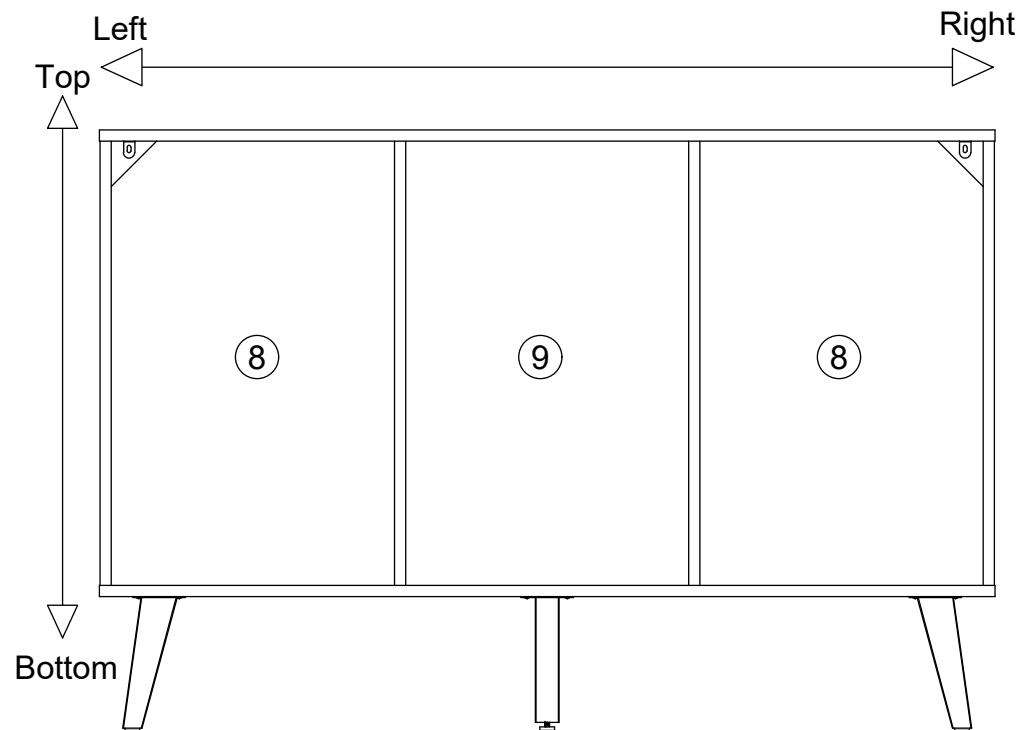


B : 8X



Rotate to this position

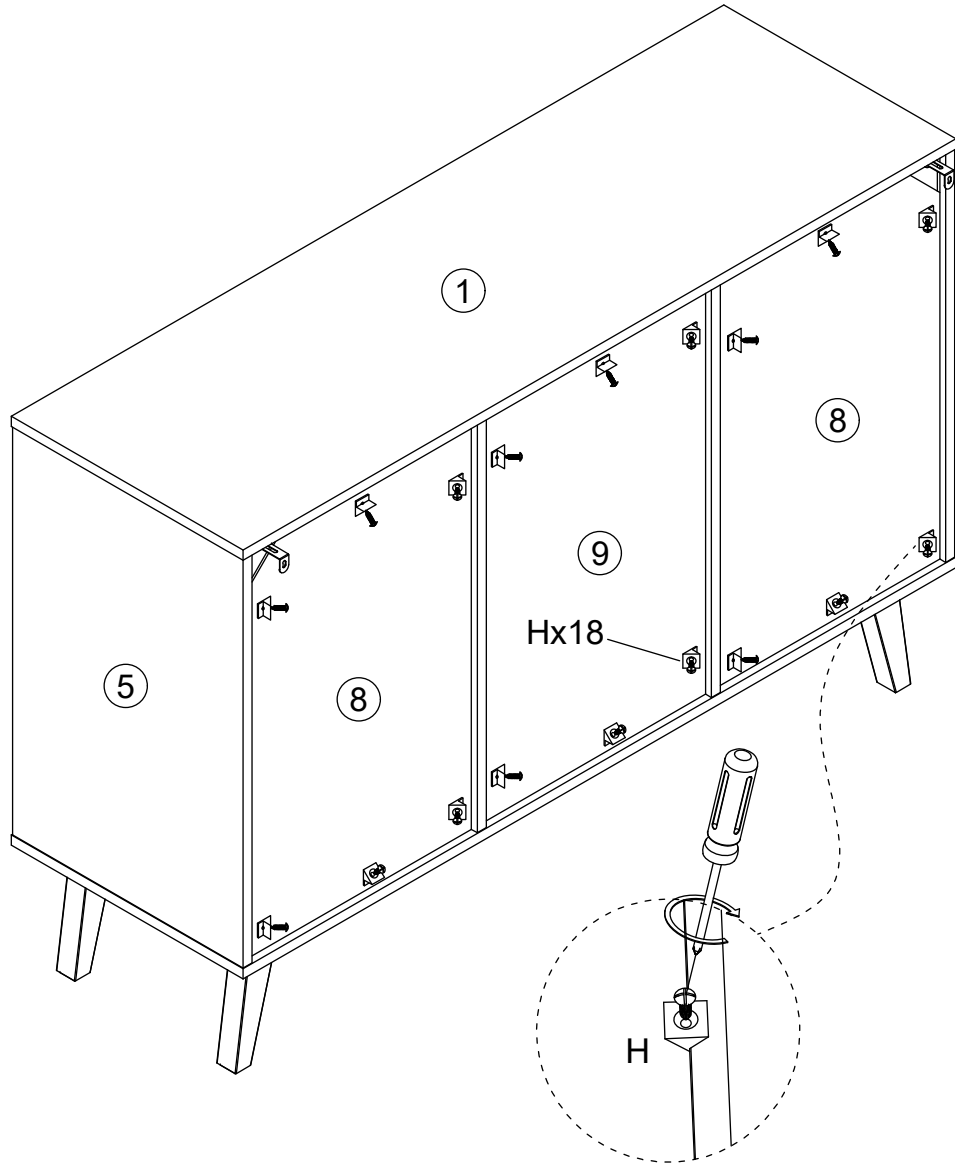
8



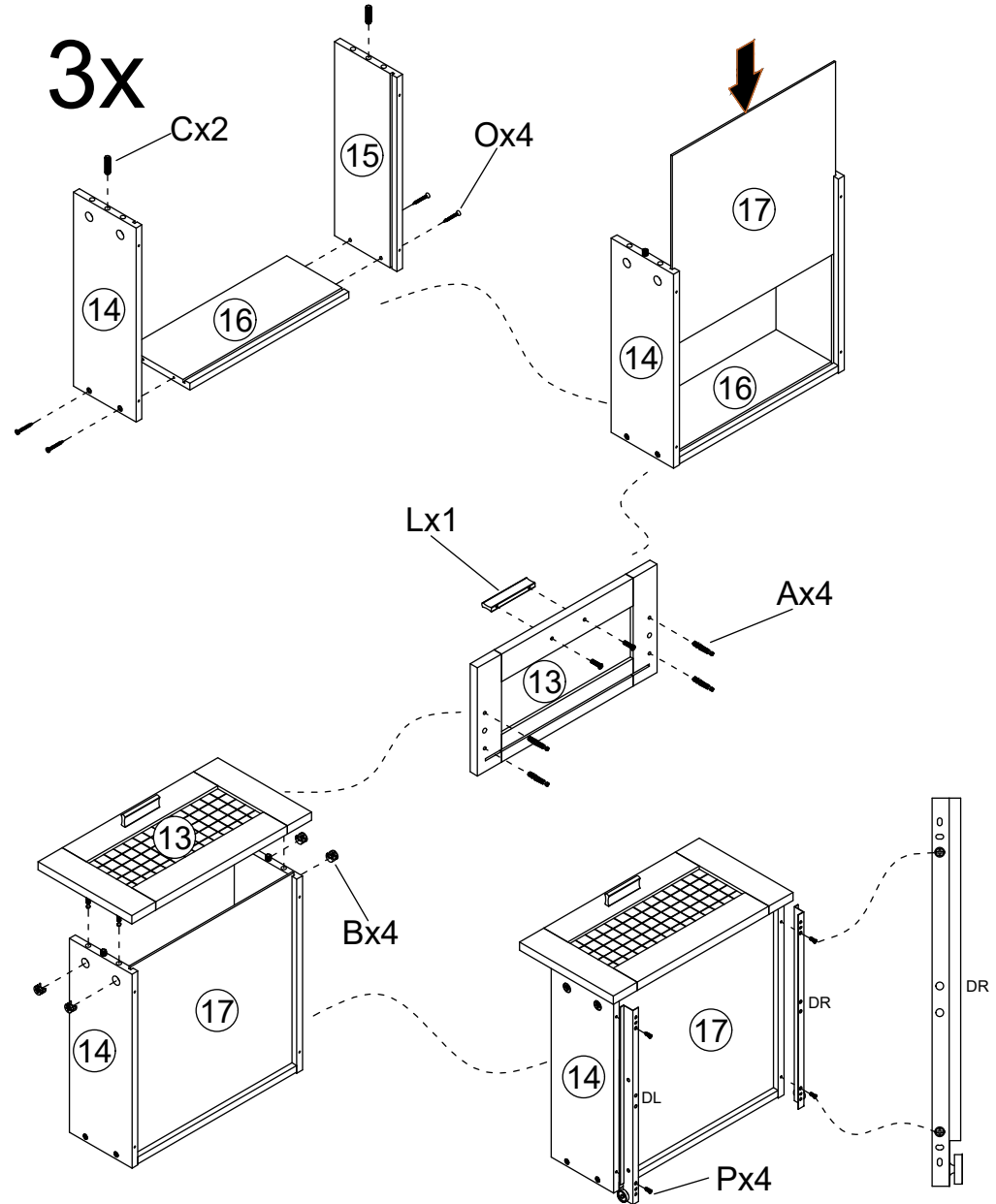
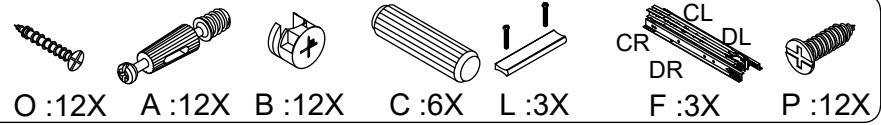
9



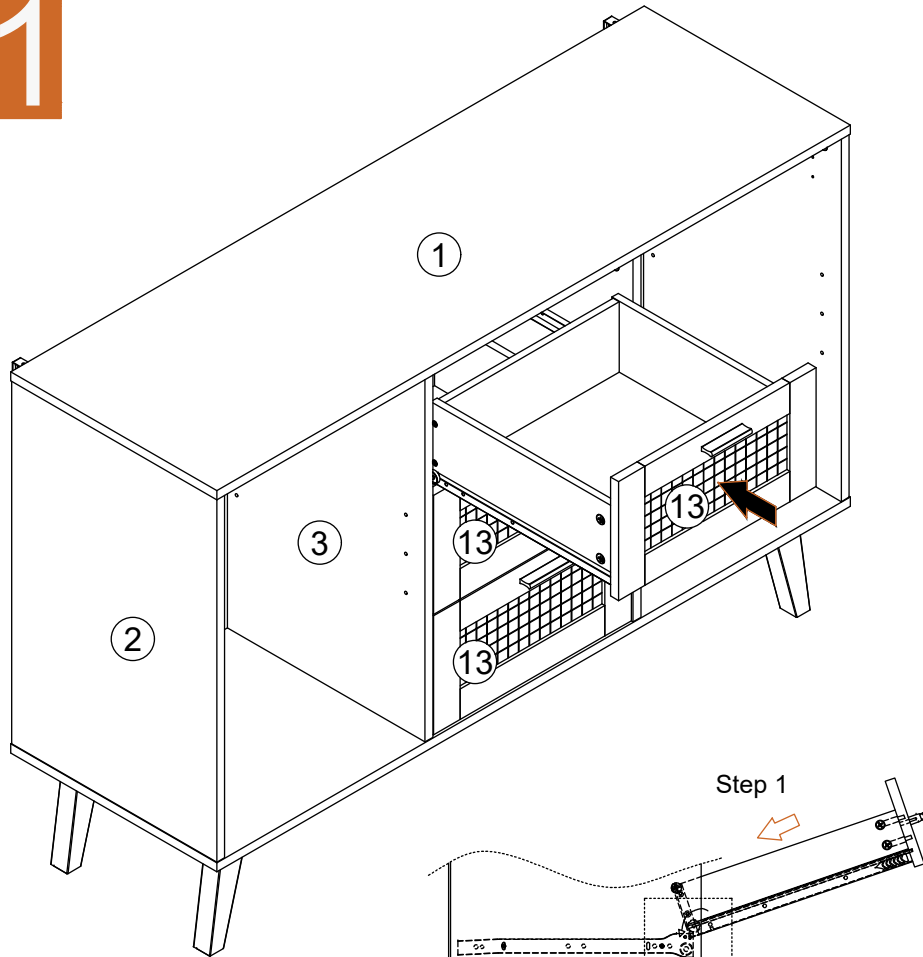
H :18X



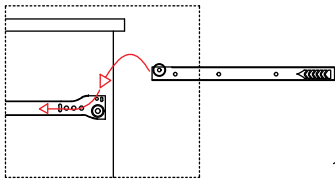
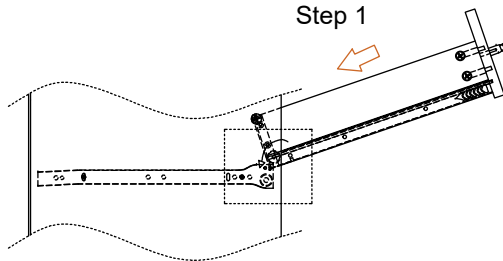
10



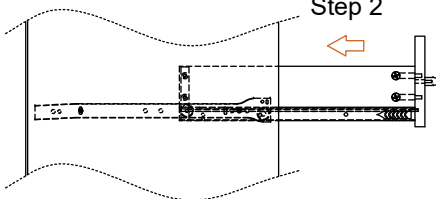
11



Step 1



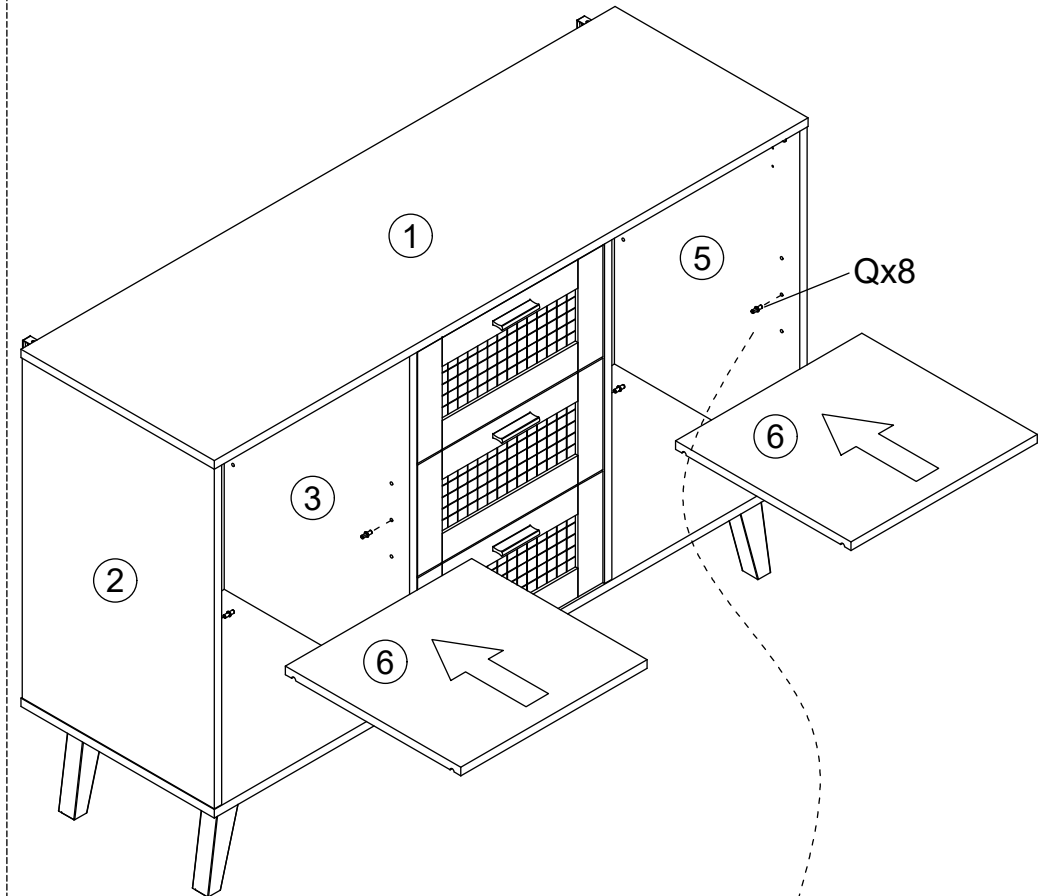
Step 2



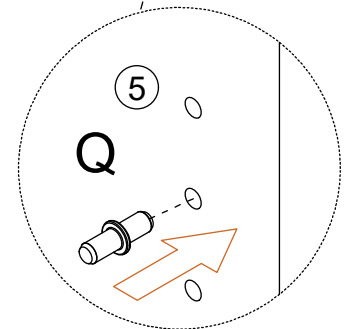
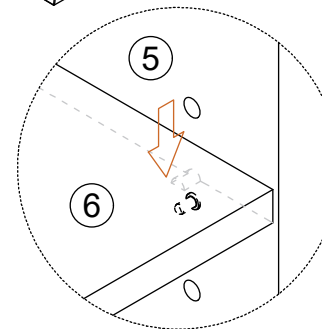
12



Q : 8X



Qx8



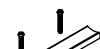
13



K :4X

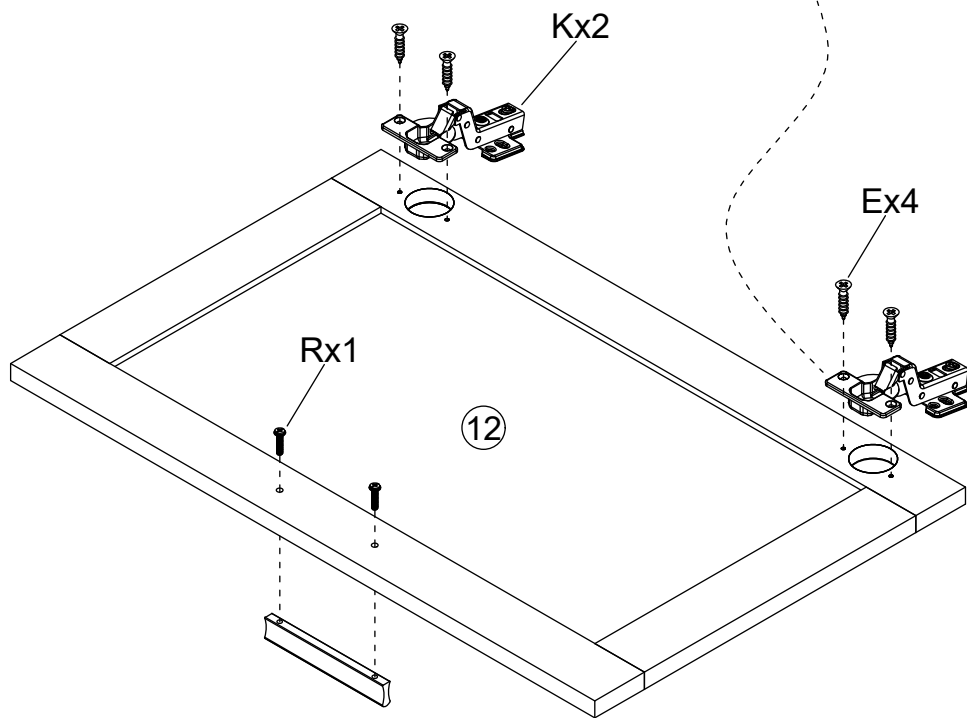
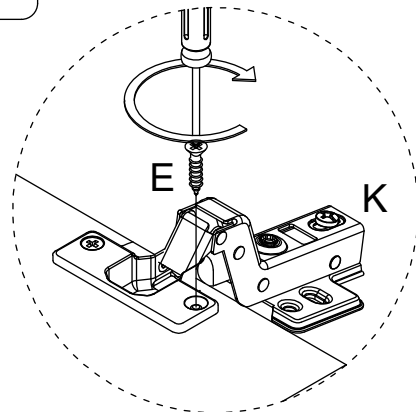


E :8X



R :2X

2x



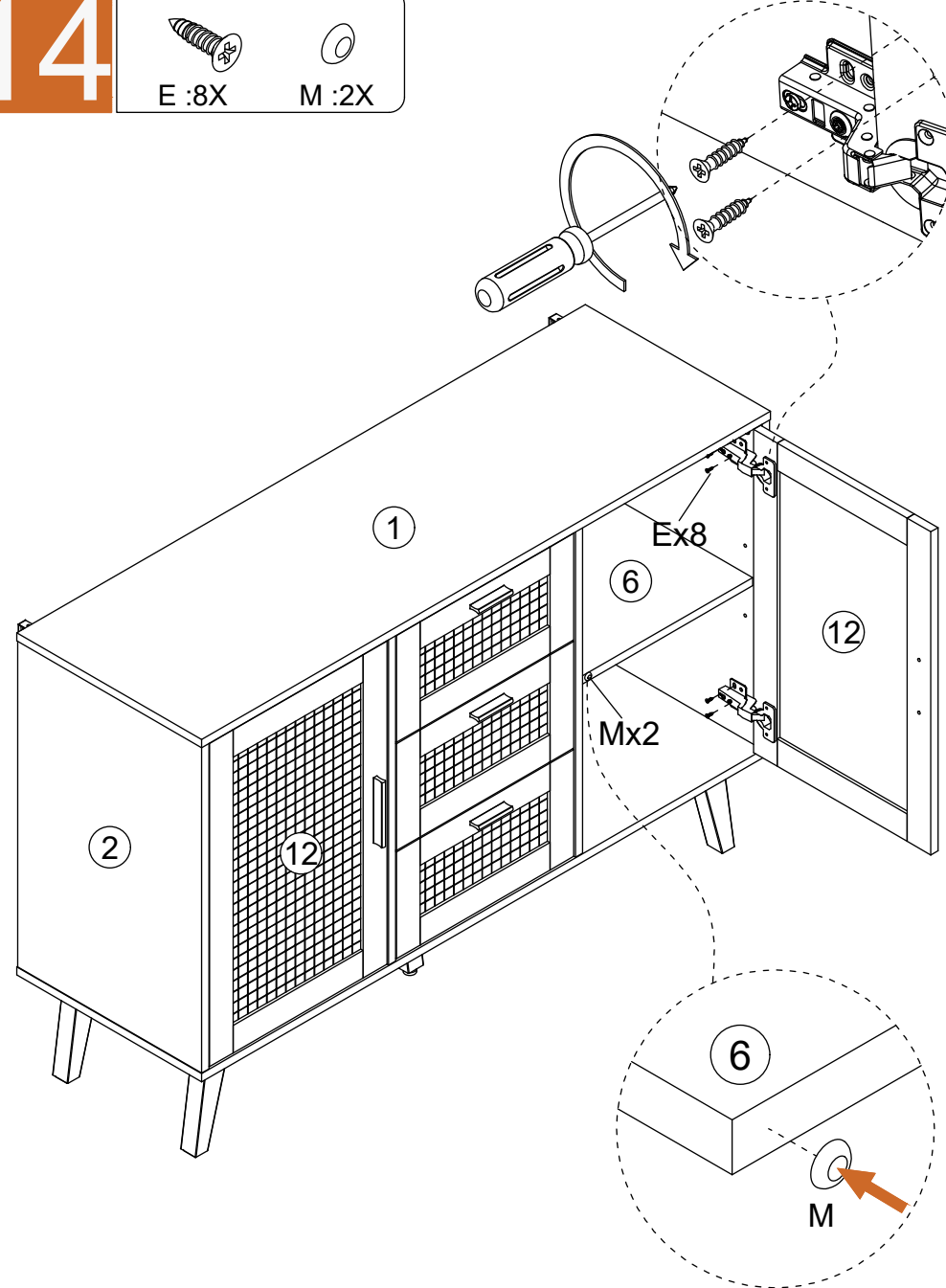
14



E :8X



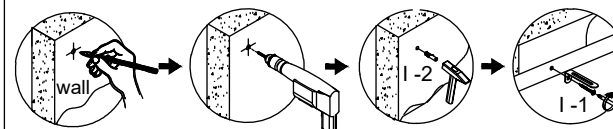
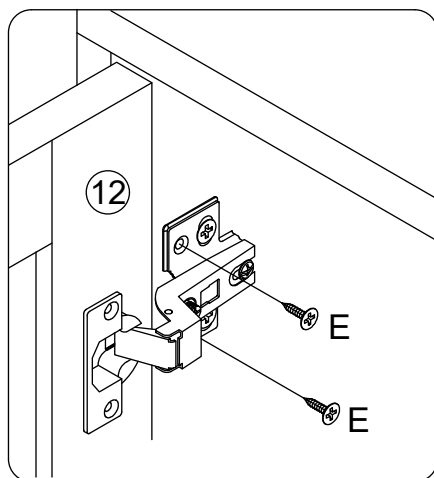
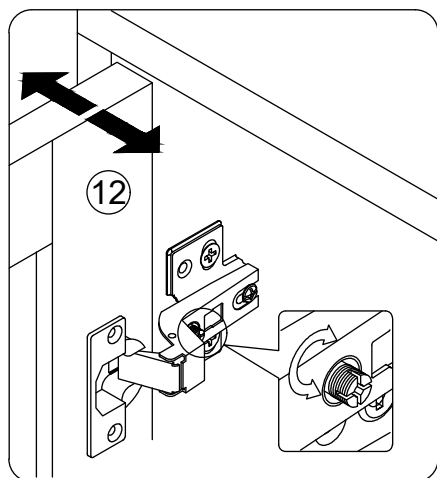
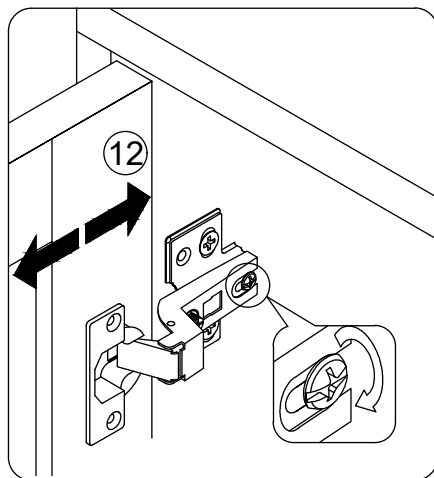
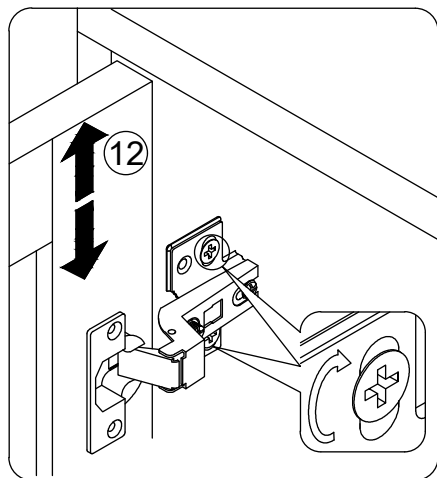
M :2X





IMPORTANT PRECAUTIONS

Use Accessory "K"



A solid wall	B cavity wall	C solid wood
Ø 8mm (5/16")	Ø 8mm (5/16")	Ø 3mm (Ø 1/8")

⚠ Warning: If you overturn the furniture, it may cause serious or fatal crushing injuries. We have a wall connection device attached, please use it to hold the furniture following these instructions.

1. Mark the corresponding hole positions where you want to place the furniture;
2. Use an impact drill to drill holes and pay attention to avoid wires and water pipes;
3. Knock the expansion pipes into the wall holes;
4. Place the furniture in the corresponding position and tighten the wall connection device with screws.

