

NOTICE

- * Please make sure that you have all parts indicated and they are in good condition before you begin assembly of this item. Refer to part list and hardware list below for guidance.
- * This item should be assembled on a soft surface to prevent scratching the finish during assembly.
- * This item may require periodic tightening.


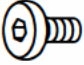


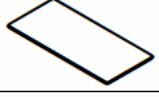





PREPARATION

- * Before beginning assembly of product, make sure all parts are present. Compare parts with part contents list and hardware contents list.
- * If any part is missing or damaged, do not attempt to assemble the product.
- * Estimated Assembly Time: 30 minutes.
- * Tools Required for Assembly (included): Allen Key

CARE AND MAINTENANCE

Dust with a soft, dry cloth. Do not use abrasive cleaner. To clean mirror, spray a small amount of glass cleaner onto a lint-free cloth and wipe mirror clean.

Part List and Hardware List

PIECE	DESCRIPTION	PICTURE	QUANTITY	PIECE	DESCRIPTION	PICTURE	QUANTITY
A	Handle Frame		2X	HW3	Hex Bolt 1/4" x 1.2mm x 12mm		24X
B	Side Frame		6X	HW4	Screw φ4mm x 10mm		18X
C	Shelf Board		3X	HW5	Split Washer		4X
HW1	Allen Key		1X	HW6	Caster		2X
HW2	Wrench		1X	HW7	Caster with Brake		2X

Product Dimensions: 33.2"L x 16"D x 36"H

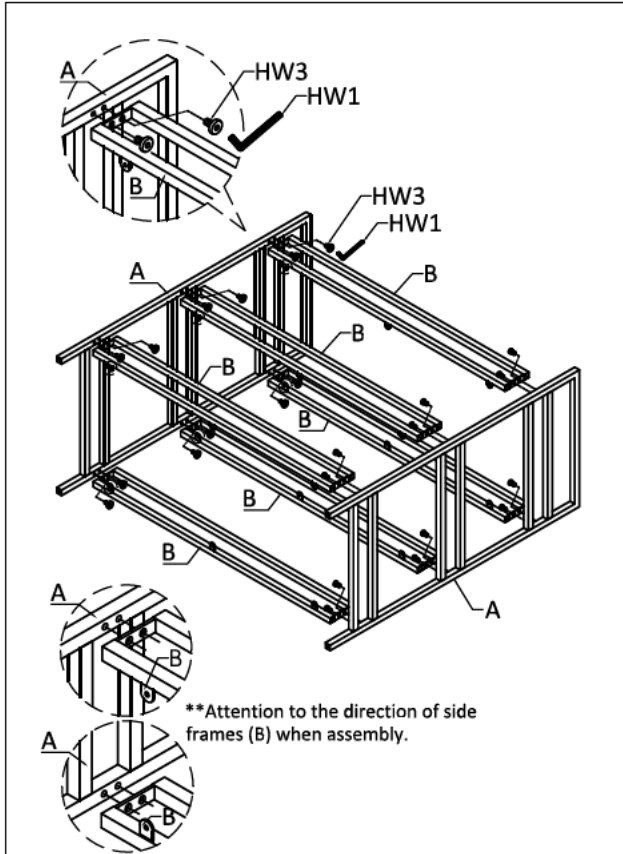


⚠ WARNING ⚠

Weight Capacity - 22.05 LBS per shelf
Warning : Do not stand on Cart.
Warning : Do not over torque bolts.

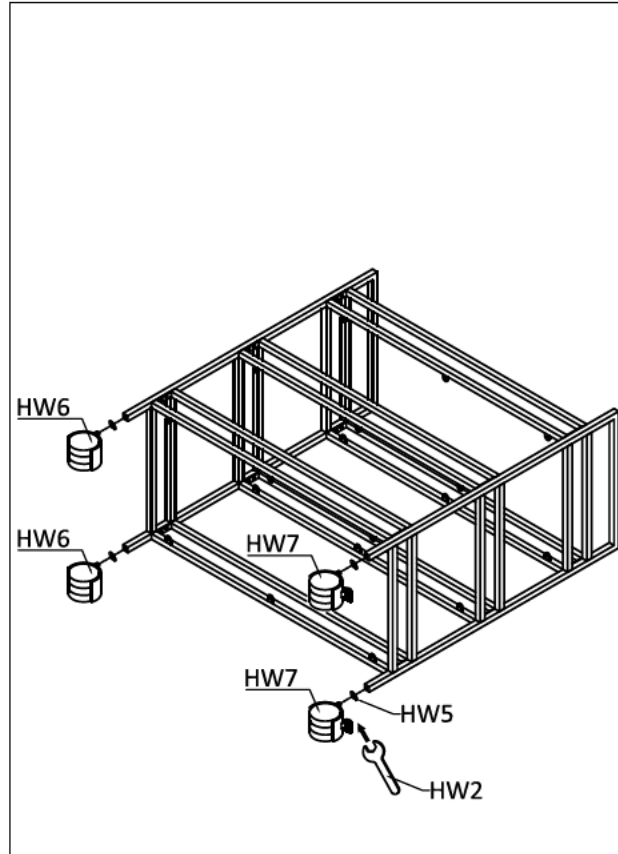
PREPARATION

- * Before beginning assembly of product, make sure all parts are present. Compare parts with part contents list and hardware contents list.
- * If any part is missing or damaged, do not attempt to assemble the product.
- * Estimated Assembly Time: 30 minutes.
- * Tools Required for Assembly (included): Allen Key



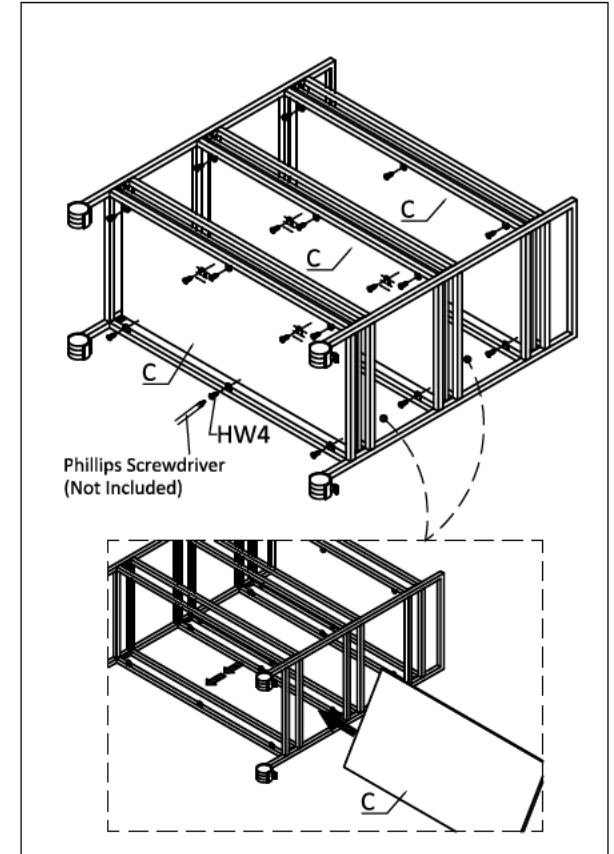
STEP1 :

Assemble handle frames (A) to side frames (B) with bolts (HW3) by use of Allen key (HW1) as shown in drawing.



STEP2 :

Screw in wheel (HW6 & HW7) onto the threaded holes in the handle frames (A) with split washer (HW5) by use of open end wrench (HW2) as shown in drawing.



STEP3 :

Assemble shelf board (C) on the assembled parts with screws (HW4) by use of Phillips Screwdriver as shown in drawing.