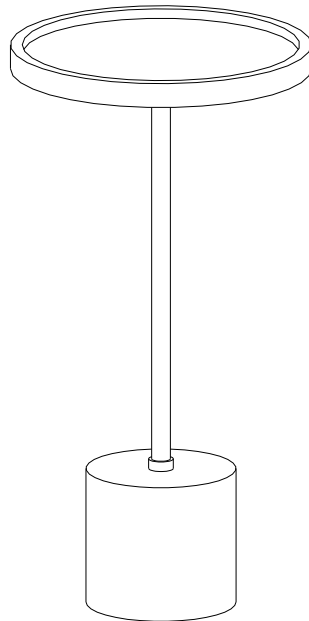


SIMPLIHOME®

Turner / Brentwood / Hanlon

I2W Accent Table

MODEL # AXCTUR-04-NLMRB



SIMPLIHOME®

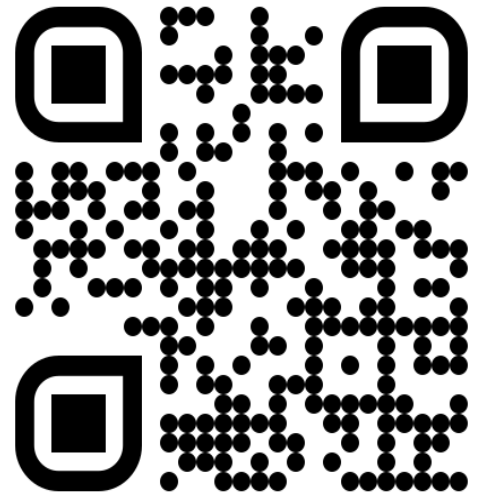
Claim Your Free Gift

Your opinion pays: Earn a gift!

Review your purchase and receive a gift.* It could be a gift card, Simpli Rewards points, or another special reward.



CLAIM YOUR REWARD NOW!



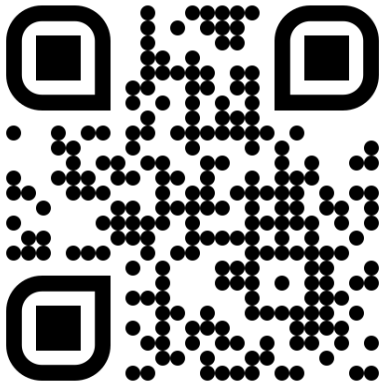
simpli-home.com/get-free-gift



**Offer valid for reviews posted within 30-days of purchase.*

SIMPLIHOME®

For fastest customer service



1. Open your phone's camera.
2. Point your phone's camera at the QR code to scan.
3. Click on the pop up.
4. You'll be taken to our customer service page.
5. Fill the form with your order information and issue.
6. Submit form.
7. A customer service associate will contact you.

Other ways to contact us...



Email Us

customerservice@simpli-home.com



Visit Us

Visit our site directly at
www.simpli-home.com



Call Us

1-866-518-0120
Monday to Friday
9am to 5pm EST

***If you've purchased from a retailer and you wish to return the product, please contact the retailer directly.**

IMPORTANT: Please read this manual carefully before beginning assembly of this product. Keep this manual for future reference.

Safety Information

Identify all the parts and hardware. Do not discard of the packaging until you have checked that you have all the parts and hardware required. Hardware package may have spare parts.

WARNING: This item contains small parts which can be swallowed by children and pets. Keep children and pets away during assembly. To avoid danger of suffocation, always keep plastic bags away from children and pets.

We recommend that you assemble this unit on a carpeted floor to avoid scratches. If using power tools, set the tool to low torque to avoid damage.

May require 2 people for ease of assembly.

Care & Maintenance

This furniture is designed for indoor use.

Damage to furniture can come from temperature changes in relative humidity (RH) in our homes. Humid air oxidizes metal which results in rusting, corrosion, tarnishing and roughness. Wood absorbs water as relative humidity rises and falls, and in doing so it swells and shrinks.

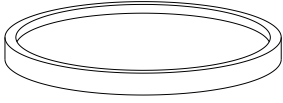

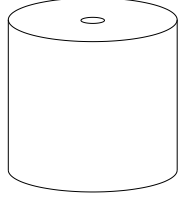
To protect against the humidity effect, the metal is powder coated. The powder coat layer protects the metal from oxidizing, corrosion, tarnishing and scratching and keeps it looking good for years to come. The wood is sealed and lacquered to protect against humidity.

Marble is factory polished to a smooth gloss finish and are sealed for added protection.

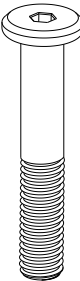
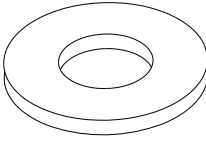
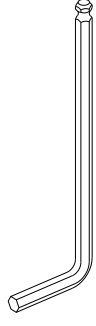
To help protect your furniture, follow these steps:

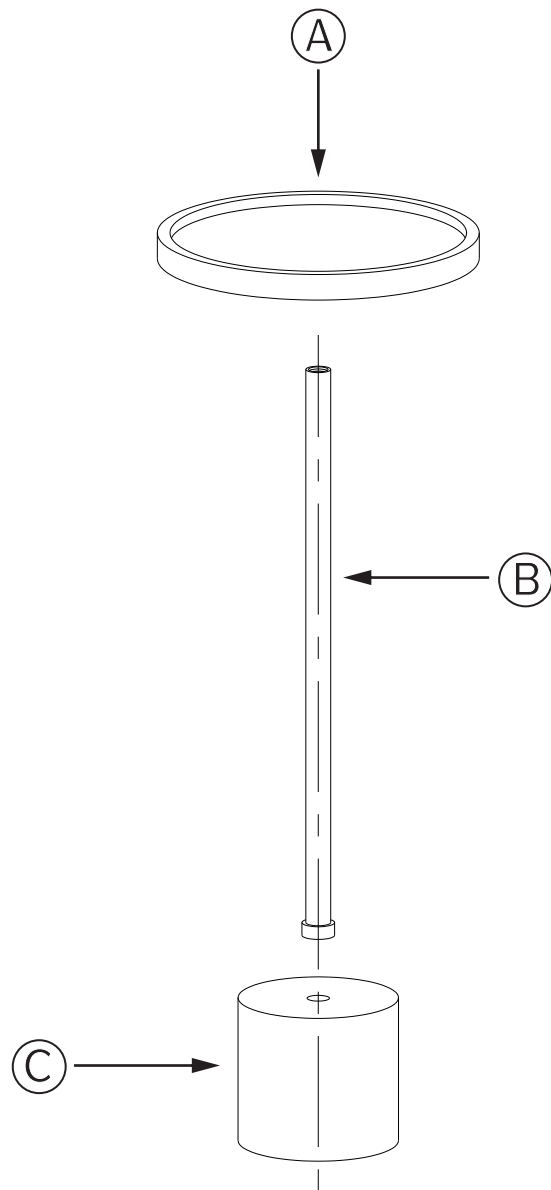
- Use a humidifier, preferably one with an automatic control system that can sense the humidity level and adjust itself accordingly
- Wipe up spills promptly
- For regular cleaning, use a damp cloth with warm water, rinse and dry thoroughly to prevent streaks
- Do not use abrasive cleaners, chemical solvents, strong detergents, cleaners with bleach, and furniture polish
- Do not use rough cleaning pads as they can etch or dull stone surfaces
- If necessary, a soft buffing pad can be used
- Use soft felt base coasters, placemats to help prevent scratches
- Keep furniture out of direct sunlight, which can cause cracking or roughness on the protective layer
- If it can be avoided, do not put furniture near heating vents
- Keep the furniture 3 to 4 inches away from the wall, giving heat and air space to circulate

Part Description

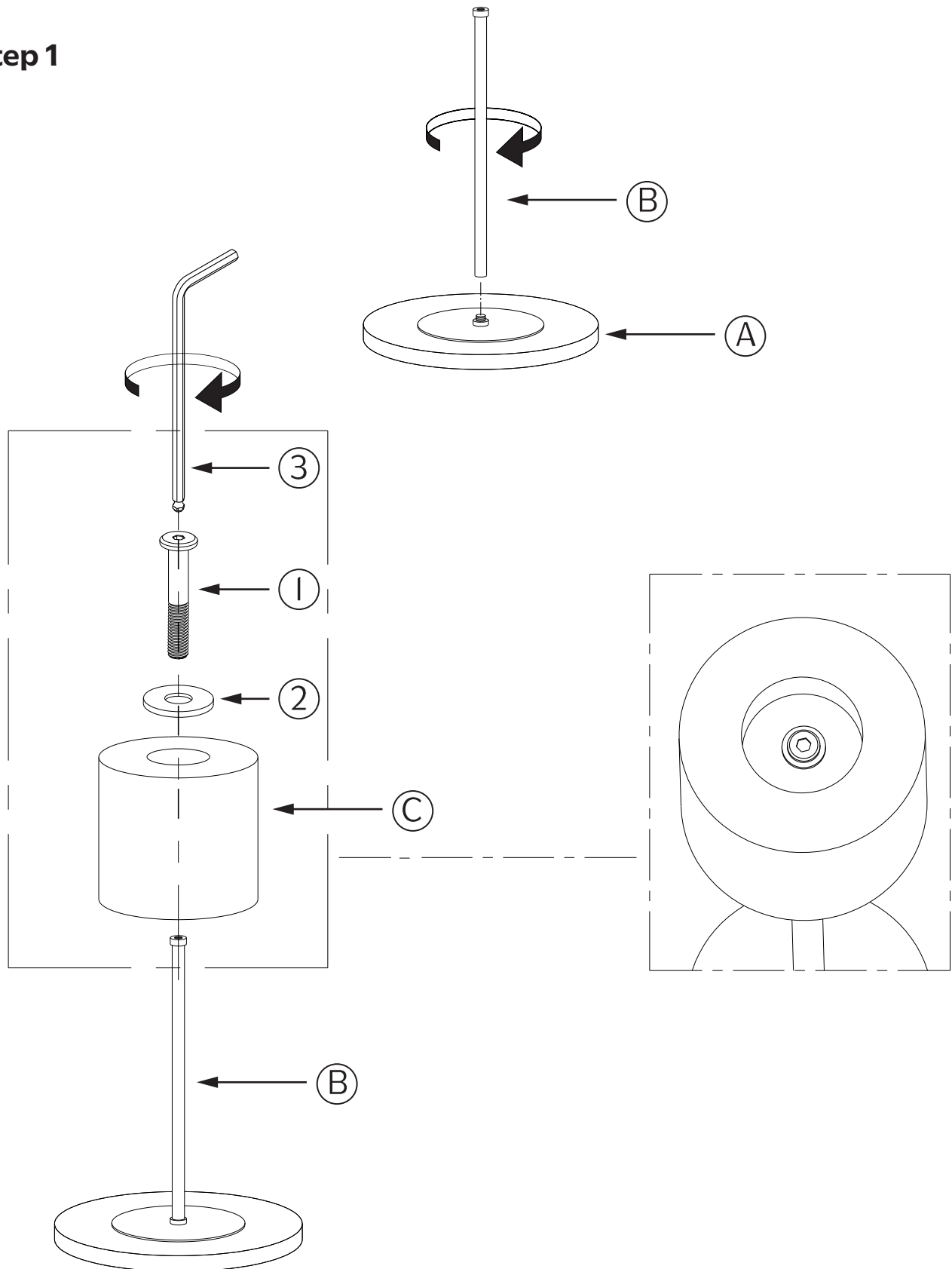
<p>A</p>  <p>TOP QTY 1</p>	<p>B</p>  <p>CONNECTOR QTY 1</p>	<p>C</p>  <p>BASE QTY 1</p>
--	--	---

Hardware Description

<p>1</p>  <p>ALLEN KEY BOLT M8 X 135 mm QTY 1</p>	<p>2</p>  <p>WASHER Ø20 / Ø8 x 1.5 mm QTY 1</p>	<p>3</p>  <p>ALLEN KEY 5 mm QTY 1</p>
---	---	---



Step 1



1. Place Top (A) upside down on a flat, smooth surface.
2. Align Connector (B) with hole on Top (A) and rotate clockwise to tighten.
3. Align Base (C) with Connector (B) and insert using Allen Key Bolt (1) and Washer (2).
4. Use Allen Key (3) to tighten.