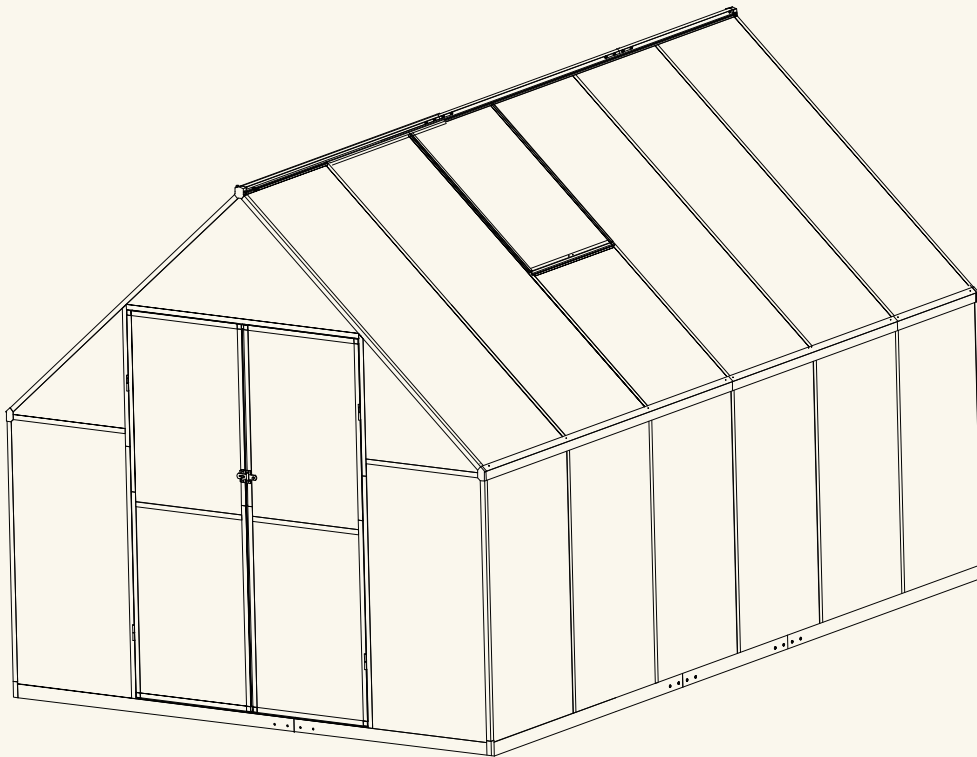


COURTYARD STORAGE&HOUSING

Steel Cabinet with Lockable Door
12*8FT



CONTACT US:24H,Mon~Sun.

✉ service@kmcglobe-us.com

☎ (USA) +1 213-816-4788

CUSTOMER SUPPORT

Dear customer

Thank you for your purchase.

This product is a non-permanent outdoor structure designed and manufactured for personal use rather than commercial use.

Please confirm whether the installation is permitted in your state(s) first.

1. When you receive the product, please make sure that all the boxes have arrived, and all the parts are intact.
2. Please browse the entire installation manual before assembling, retain this instruction manual for future reference.
3. If any problem occurs unsatisfactorily as follows:
 - Lack of boxes, or some boxes are not arrived.
 - The outer box is damaged.
 - The product is damaged / bent / cracked while you open the box.
 - The parts / accessories / assembly tools are missing.
 - The product is hard to assemble.
 - The instructions are not clear, or hoping for assistance with installation.
 - The product has functional problems.
 - The product did not meet your expectations.
 - Other aspects that you are not satisfied with.

Please feel free to contact us for help first. If there is any damage, please send us clear photos. We will check and do our best to provide the best solution for you. The missing or damaged parts will be delivered to you within 5 days.

**DO NOT RETURN YOUR UNIT TO THE STORE
CONTACT US FIRST**



 service@kmcglobe-us.com

 (USA) +1 213-816-4788

ATTENTION

PREPARATION:

The STORAGE needs to be installed in cooperation with **two people**.

Estimated Assembly Time: **4 Hours**.

Site preparation suggestion: Level the ground surface, construct a wooden or concrete base as a foundation.

The following installation tools will be used.



Adjustable Ladder



Tape Measure



Screw Driver



Pistol Drill



gradienter



Hammer



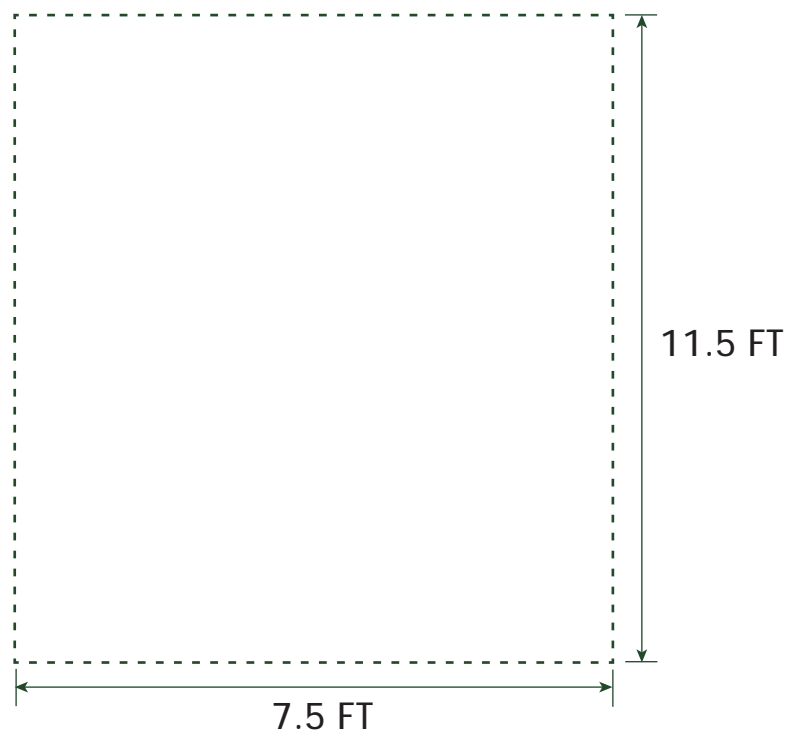
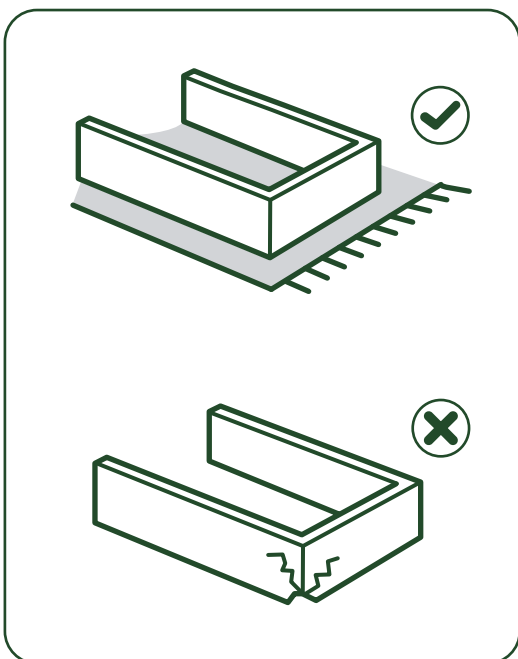
gloves



2 people

Minimum foundation size:

- Lawn Leveling



ATTENTION

CAUTION:

1. Tighten each bolt firmly and properly.
2. Some parts may contain sharp edges. Wear protective gloves in the box as necessary.
3. Children under the age of 16 should not be engaged in the assembly, removal or disassembly of the product.
4. It is strongly recommended to hire a professional installation team.

WARNING:

1. Children under the age of 10 should be supervised by a competent adult while using this furniture.
2. Please keep children out of the assembly area during assembly.
3. Never use this product as a support. Do not shake, lean, or climb on the product any time.
4. Please take appropriate measures to deal with the bad weather. Heavy rain, wind and snow may damage the Storage Shed. If necessary please dis-assemble and store for later use.
5. In snowy weather, please ensure that the thickness of snow on the roof does not exceed 4 inches, If it does, please remove the snow as soon as possible to ensure safety.
6. When the wind force reaches scale 8, please take corresponding measures to reinforce the Storage Shed to prevent it from being damaged by the wind, and be cautious of safety issues during strong wind conditions.
7. We offer a one-year warranty, excluding damages caused by improper installation, incorrect usage, failure to use the fixing accessories, unclean snow, or failure to take preventive measures.
8. It is necessary to use anchor bolts, expansion bolts and ropes to fix the STORAGE to the foundation for Long-term stability. You can fix the foundation firmly in the inner corners of the STORAGR Cabinet using expansion bolts(need to be purchased by yourself).

PARTS LIST

1. Please ensure that all parts, accessories and installation tools are complete before starting the installation.
2. Due to the variety of accessories, some parts may be glued together, some parts may be trapped inside the larger ones, please check carefully.
3. In case you cannot find or lose some small parts or screws during installation, we have provided extra parts.
4. If any accessories are missing or damaged, please contact us immediately.

✉ service@kmcglobe-us.com

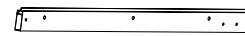
CARTON: A



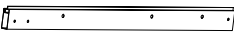
A1 X 2



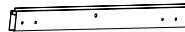
A2 X 2



A3 X 2



A4 X 2



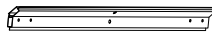
A11 X 2



B1-1 X 2



B2-1 X 2



B9-1 X 2



G6 X 1



C1 X 2



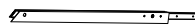
C3 X 1



D1 X 4



D2 X 4



E1 X 1



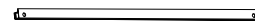
E1-1 X 1



E1-2 X 1



E1-3 X 1



E2 X 1



G1 X 3



G1-1 X 1



G1-2 X 1



G1-3 X 1



G2 X 2



G2-1 X 2

PARTS LIST

CARTON: A



G2-2 X 2



G4-4 X 2



G6-1 X 1



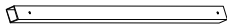
G6-4 X 2



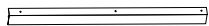
G6-6 X 1



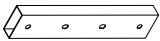
G6-9 X 1



G8-1 X 2



L1-1 X 2



Q1 X 6



R X 4



R2 X 2



R4 X 2



G3 X 1



G4-5 X 2



G6-2 X 1



G6-5 X 4



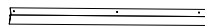
G6-7 X 1



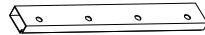
G7 X 2



H1 X 2



L2-1 X 2



Q1-1 X 4



R1 X 2



R3 X 4



K X 4



G4-3 X 6



G5 X 10



G6-3 X 1



R4-1 X 2



G6-8 X 1



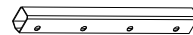
G8 X 8



J1 X 8



L3-1 X 2



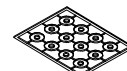
Q1-2 X 2



R1-1 X 2



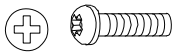
R3-1 X 4



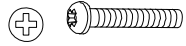
K1 X 2

PARTS LIST

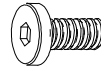
CARTON: A



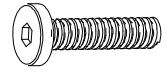
M4X20mm
T1 X 2



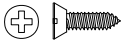
M4X32mm
T2 X 2



M6X12mm
T3 X 112



M6X25mm
T4 X 24



M3X10mm
T5 X 8



M4X12mm
T7 X 137



M4mm
T8 X 2



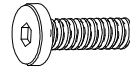
M6mm
T9 X 50



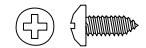
M6X50mm
T10 X 8



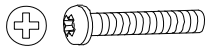
T11 X 1



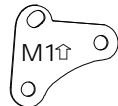
M6X20mm
T13 X 16



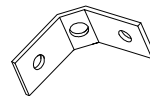
M4X8mm
T14 X 4



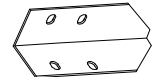
M6X25mm
T15 X 10



M1 X 4



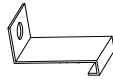
M2 X 5



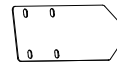
M3 X 4



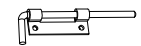
M3-1 X 4



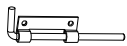
M3-2 X 4



M3-3 X 4



M4 X 1



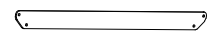
M4-1 X 1



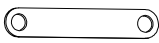
M5 X 6



M6 X 9



M7 X 3



M8 X 2



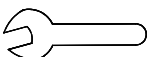
M9 X 8



X 1



X 1



X 1



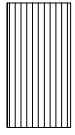
X 1



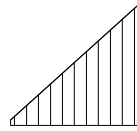
3M rubber strip
X 1

PARTS LIST

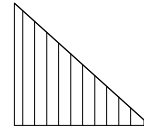
CARTON: B



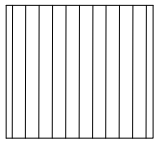
P9 X 6



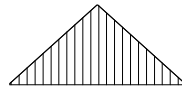
P10 X 2



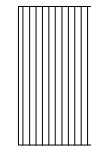
P11 X 2



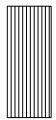
P12 X 2



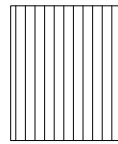
P13 X 2



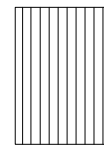
P14 X 12



P15-1 X 10



P16-1 X 2

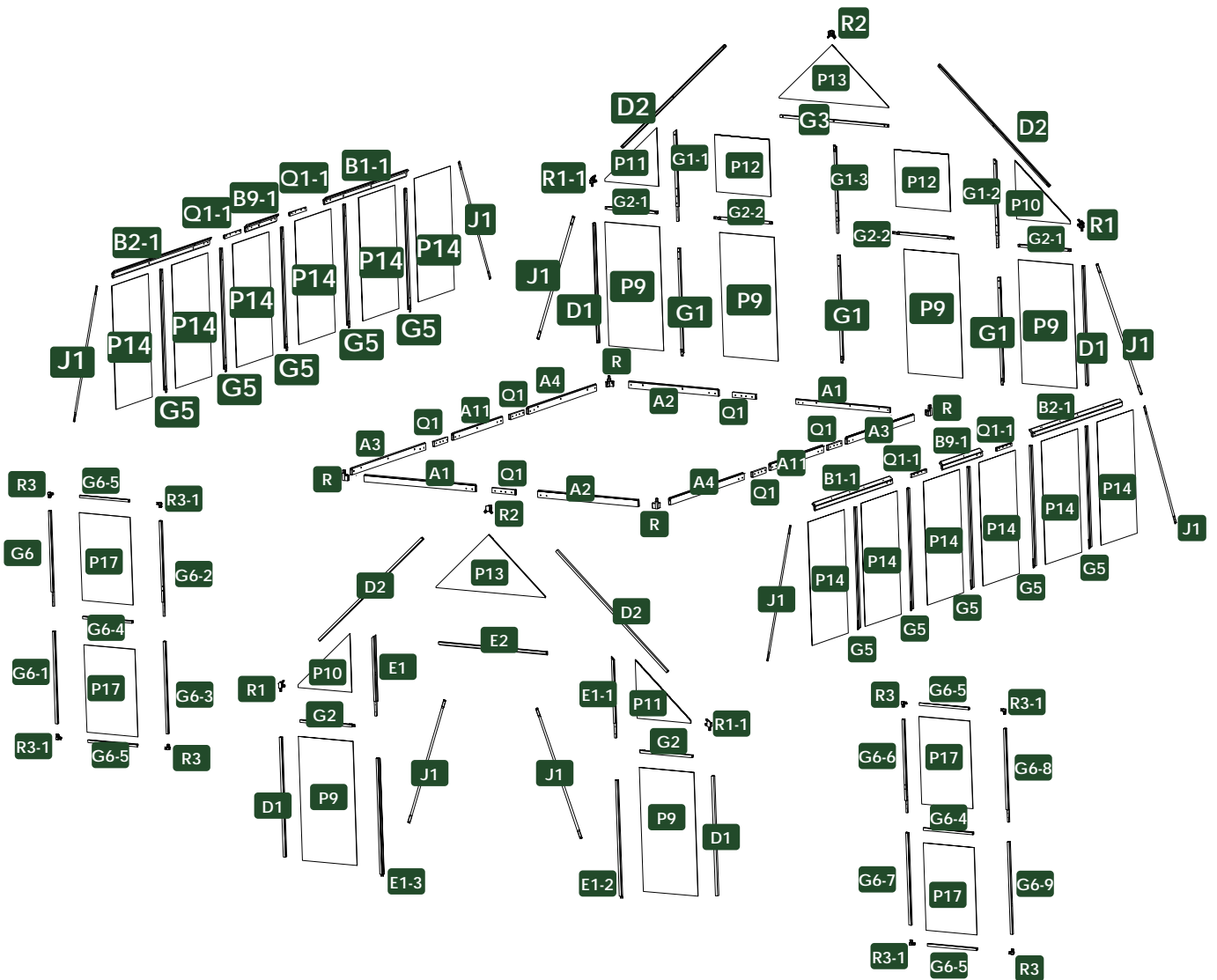
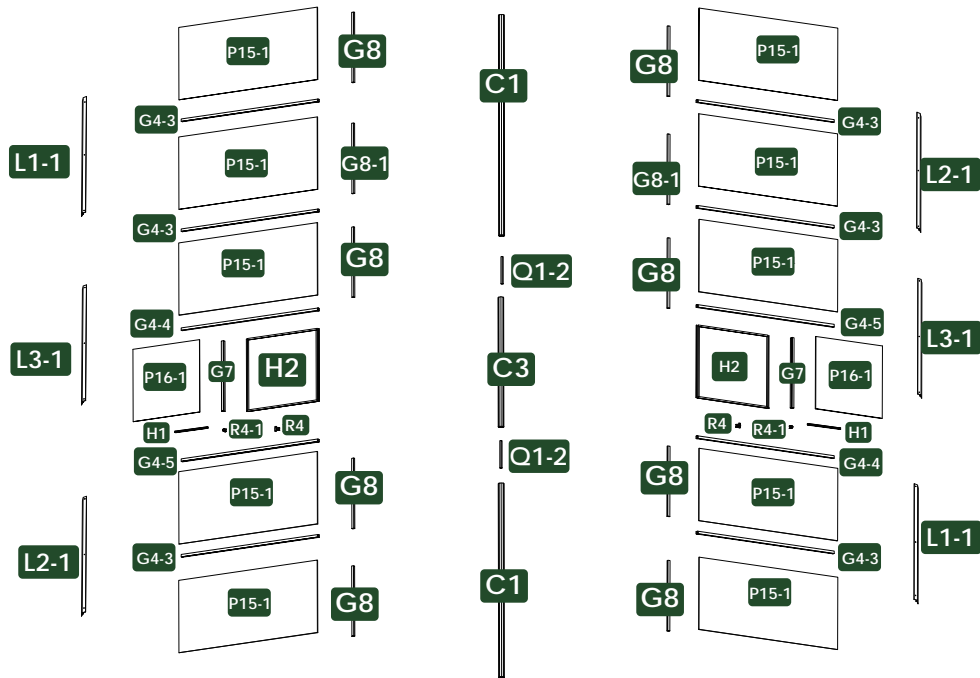


P17 X 4

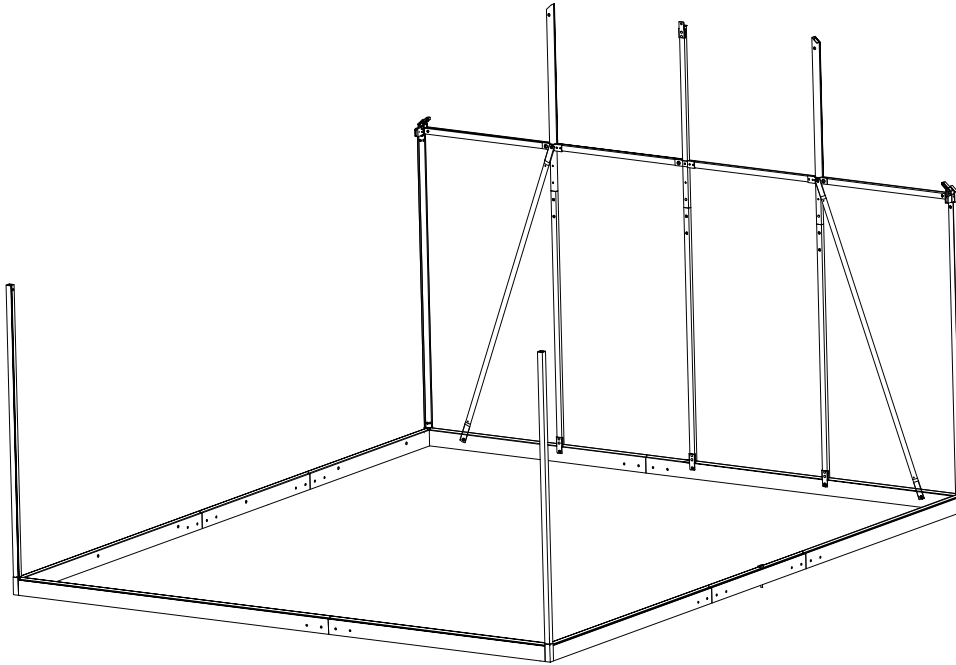


H2 X 2

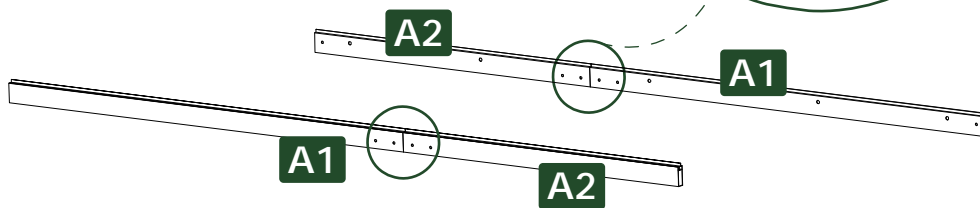
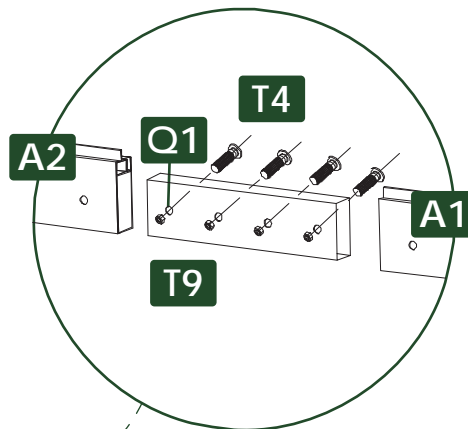
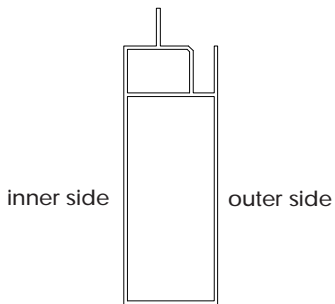
EXPLOSION VIEW



Phase 1 : Floor/Foundation



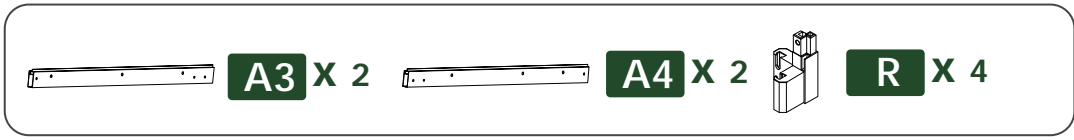
01
STEP



Please merge A1 and A2 together until there is no gap before tightening the screws.

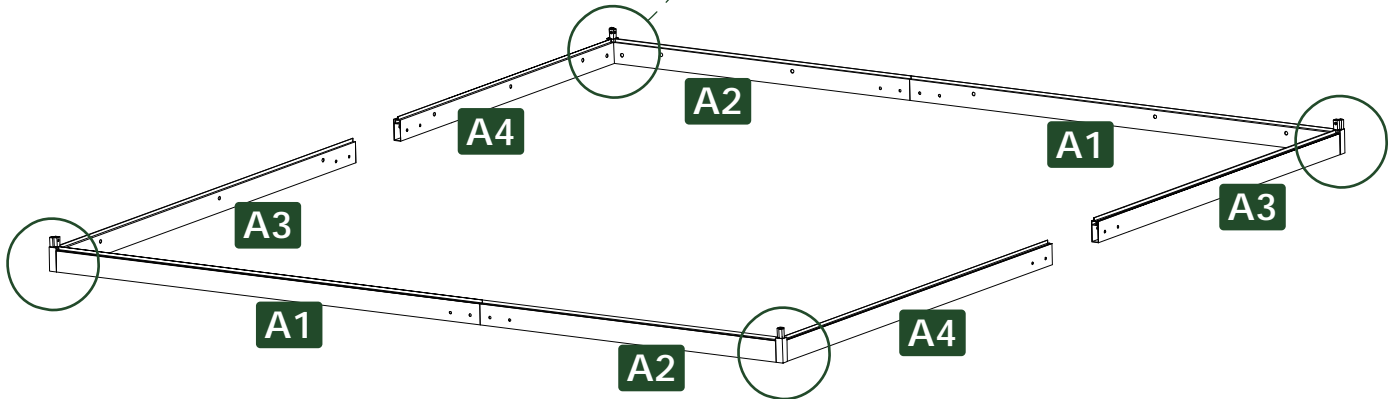
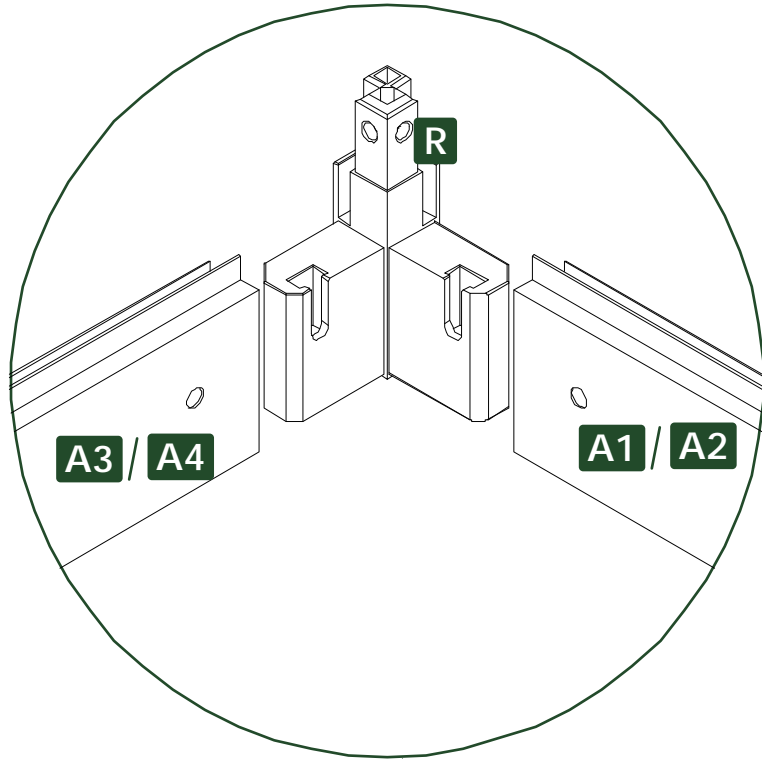
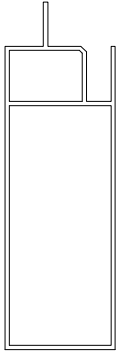


02
STEP

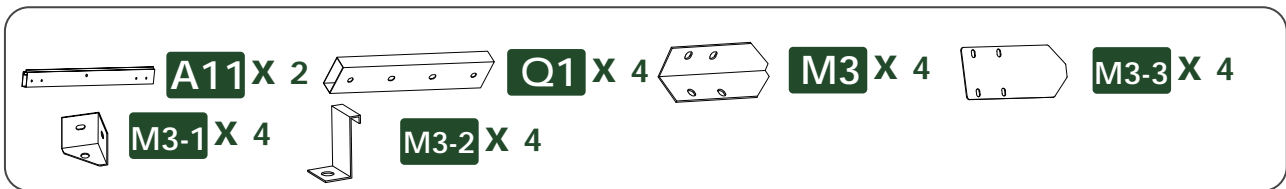


inner side

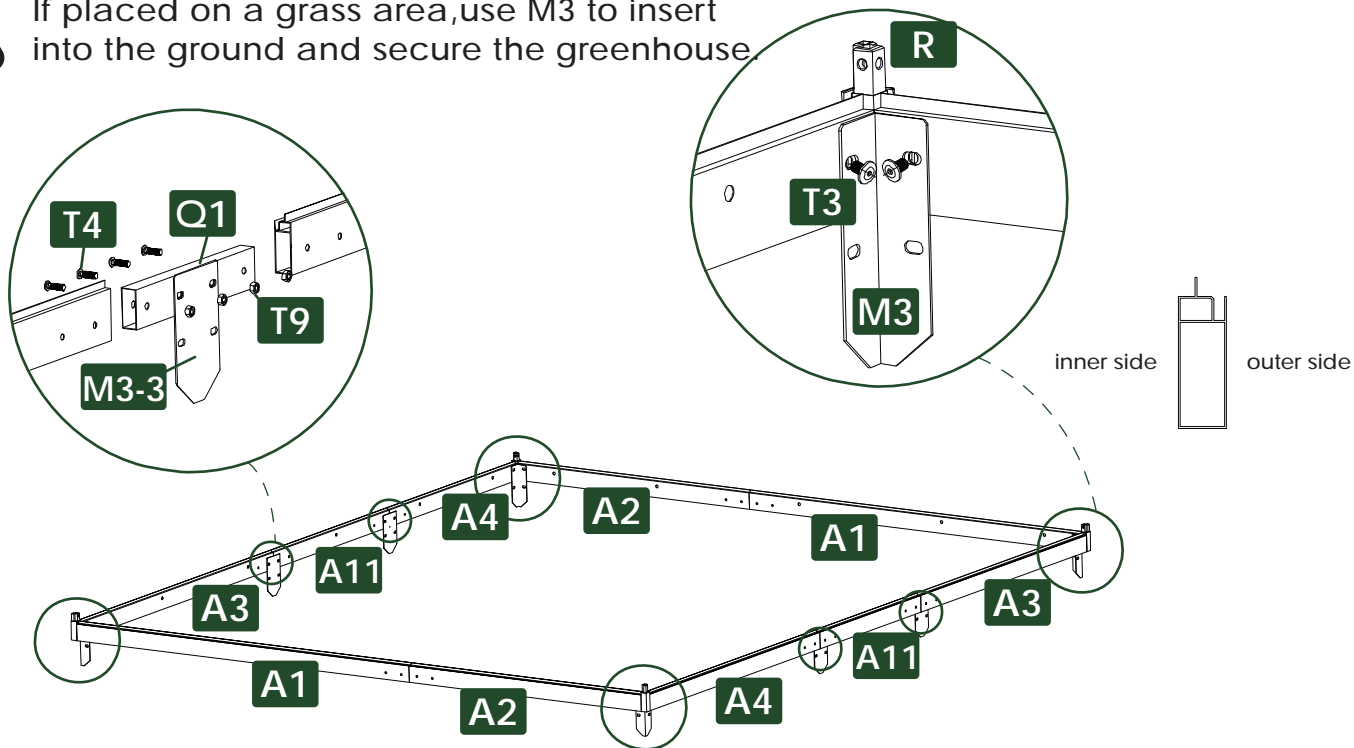
outer side



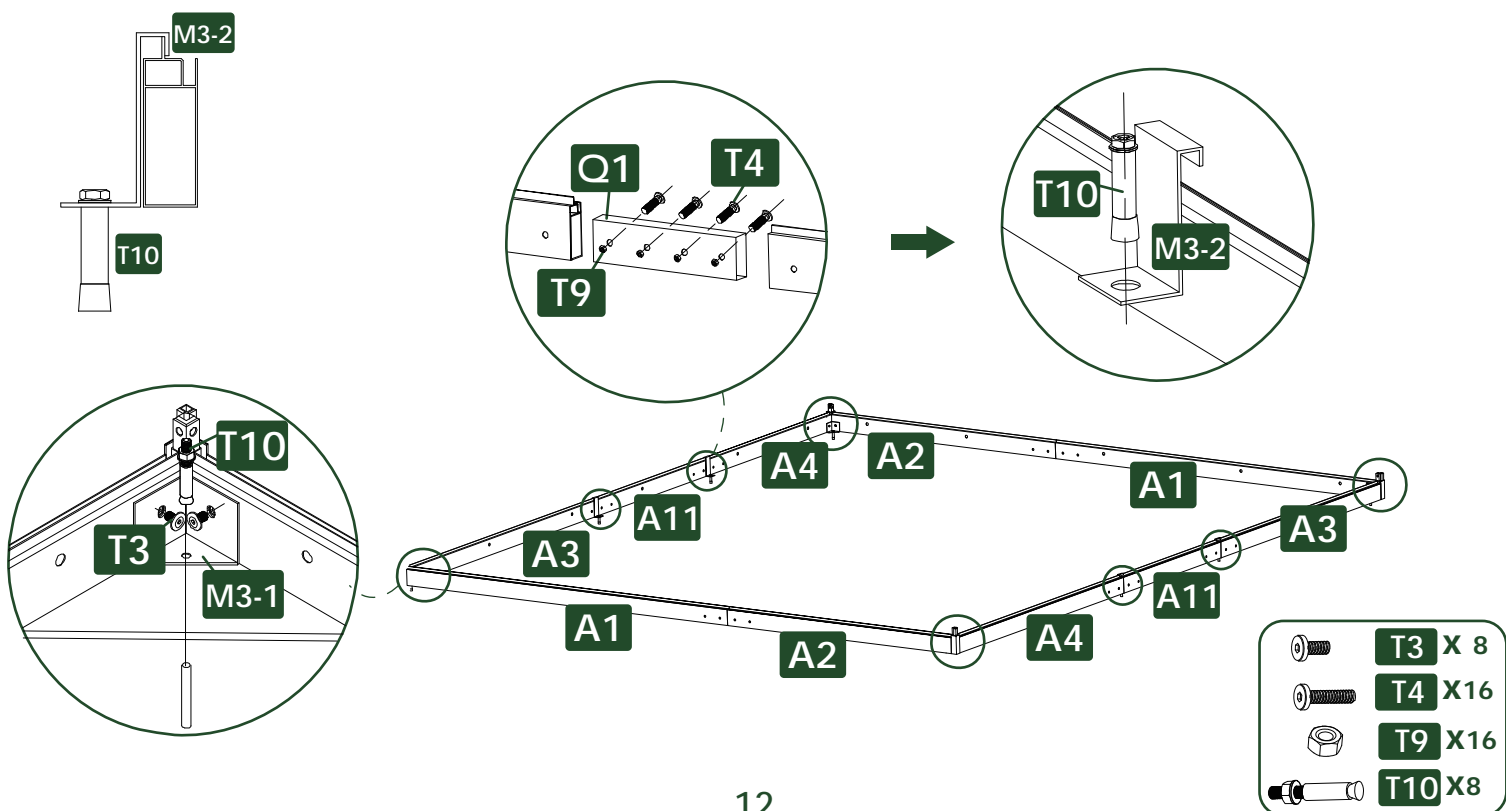
03 STEP



If placed on a grass area, use M3 to insert into the ground and secure the greenhouse.

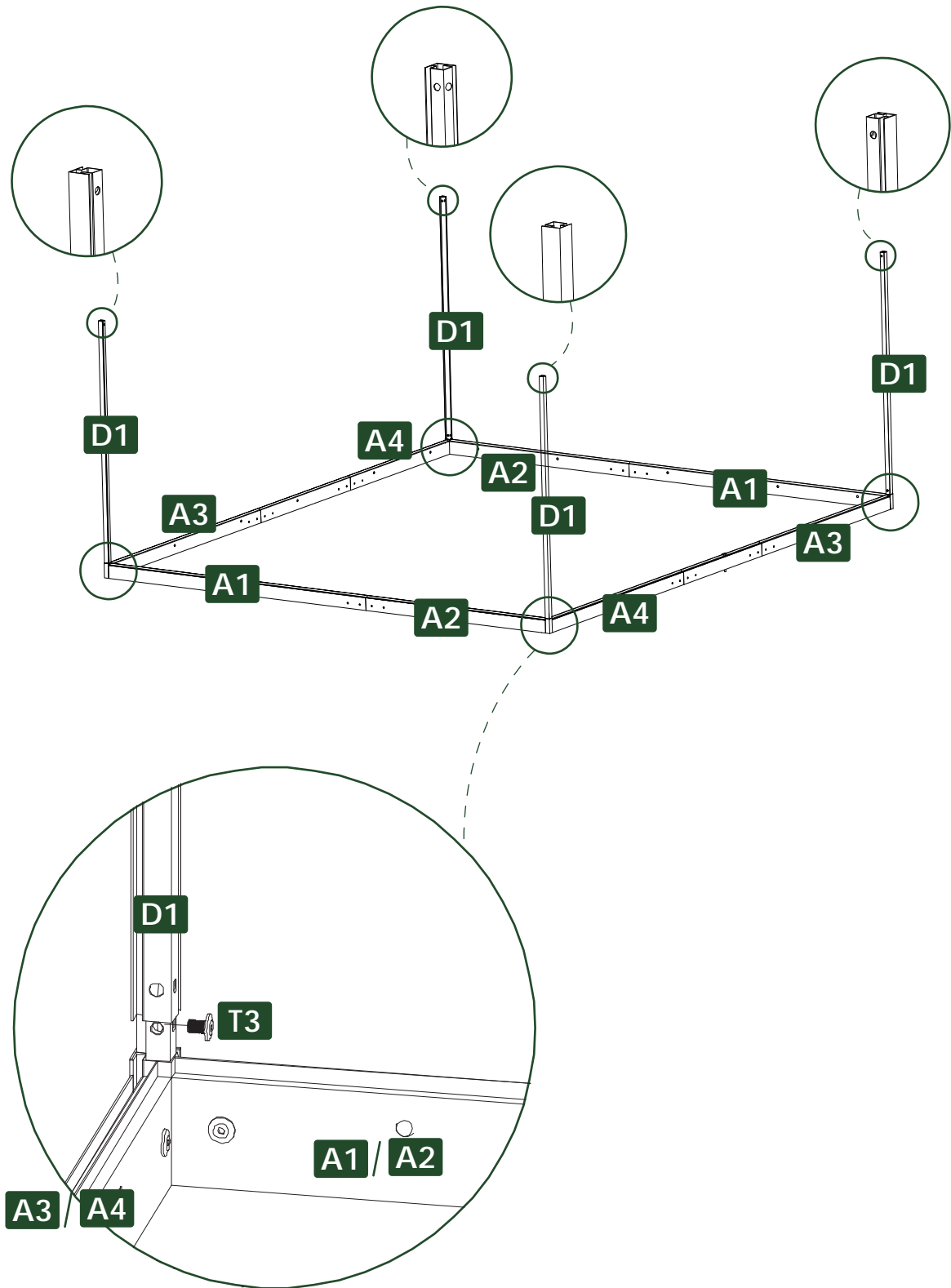


When placed on the concrete floor, use M3-2 in combination with T10 to further secure it.







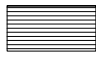
04
STEP

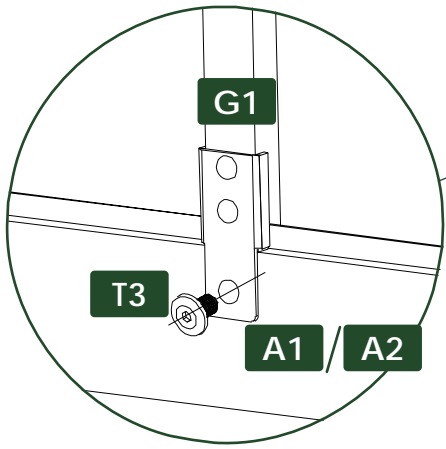
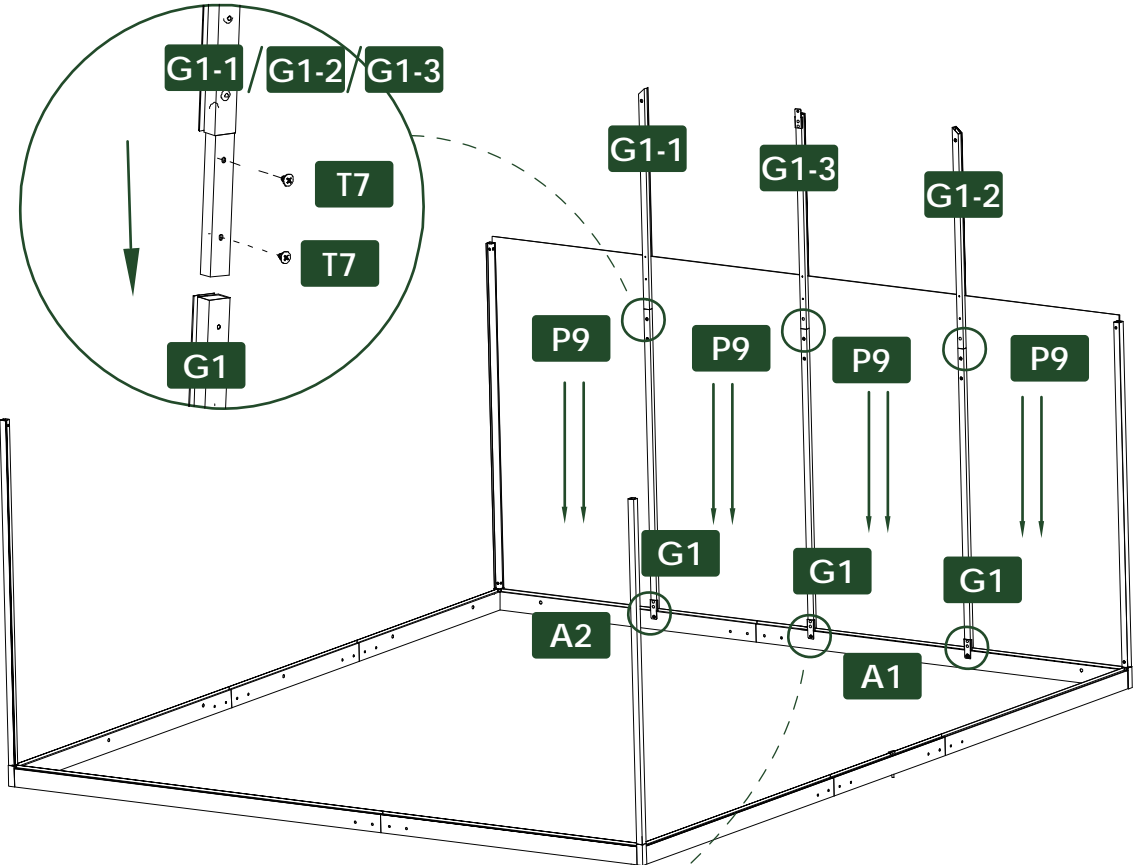
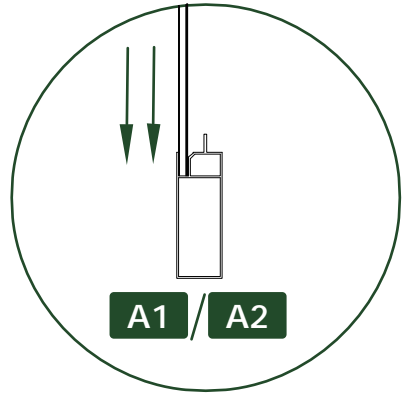
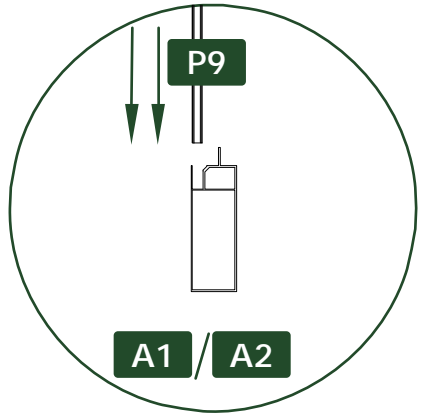
 **D1** X 4

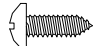
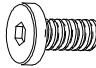


 **T3** X 4

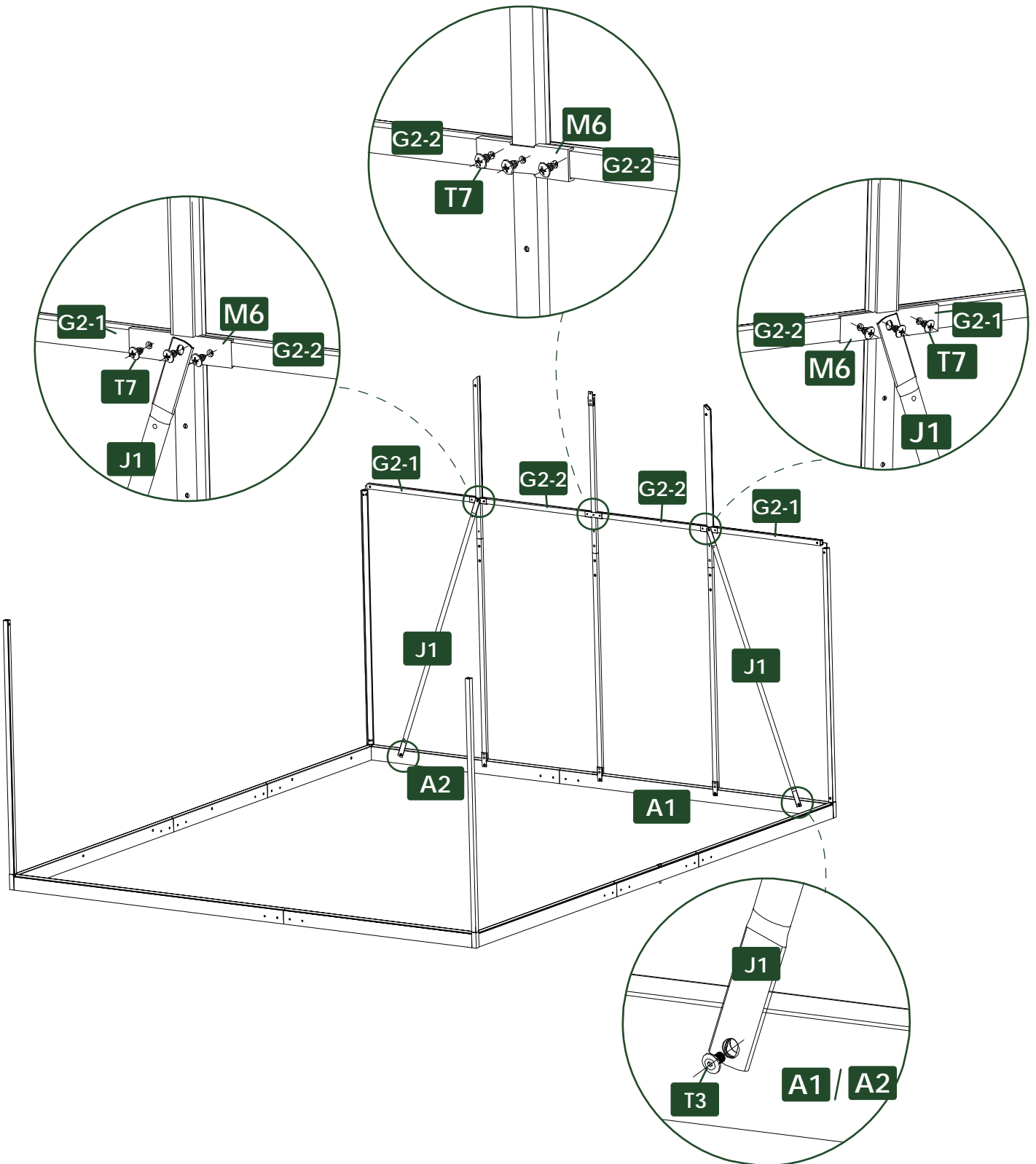
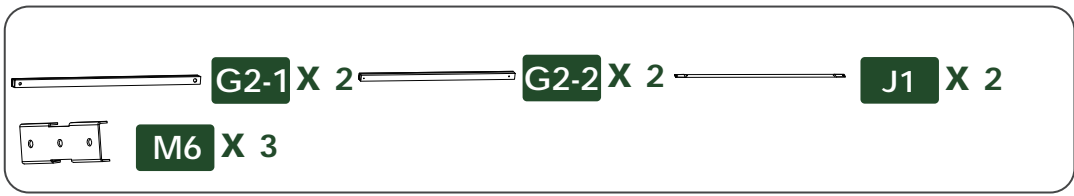
05 STEP

-  **G1** X 3
-  **G1-1** X 1
-  **G1-2** X 1
-  **G1-3** X 1
-  **P9** X 4



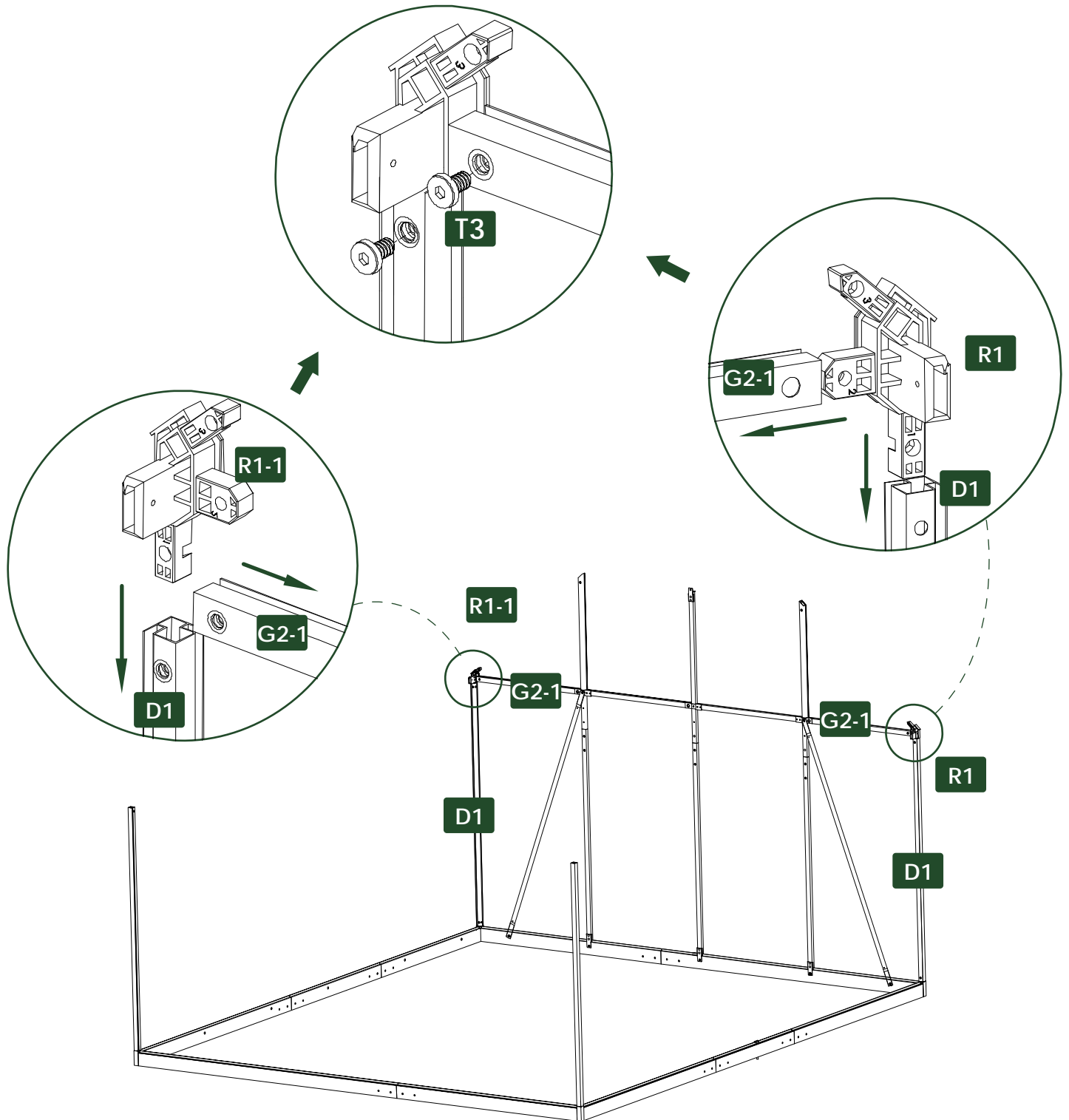
-  **T7** X 6
-  **T3** X 3

06 STEP



07
STEP

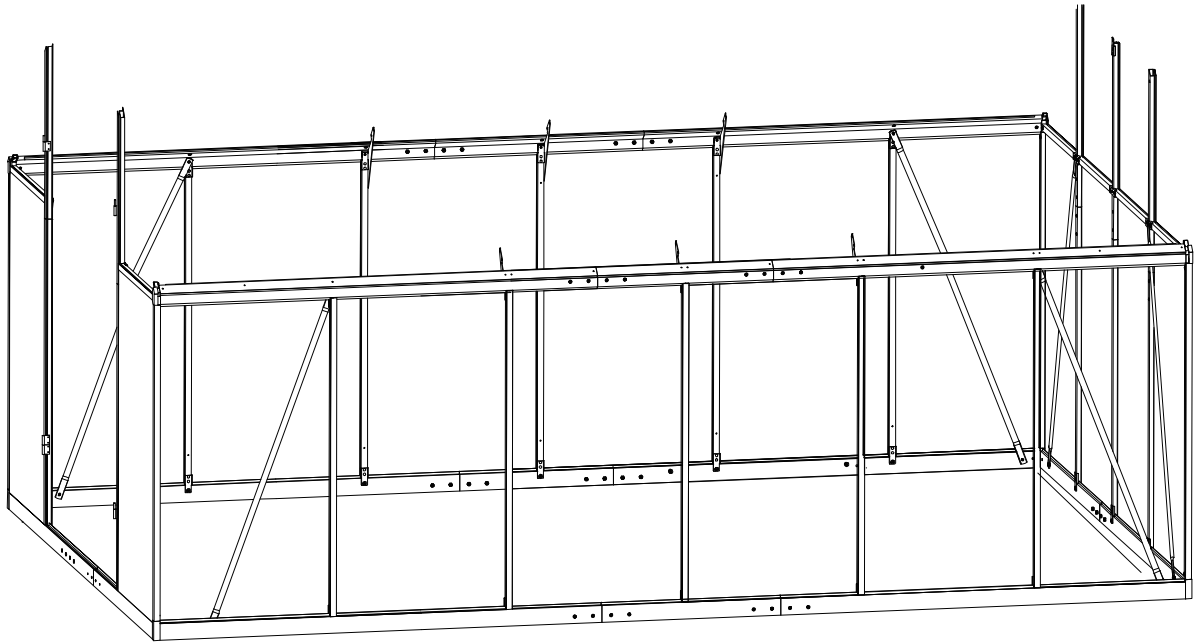
 **R1** X 1  **R1-1** X 1



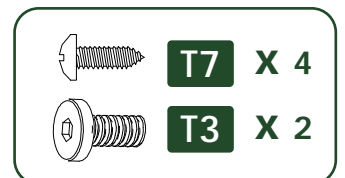
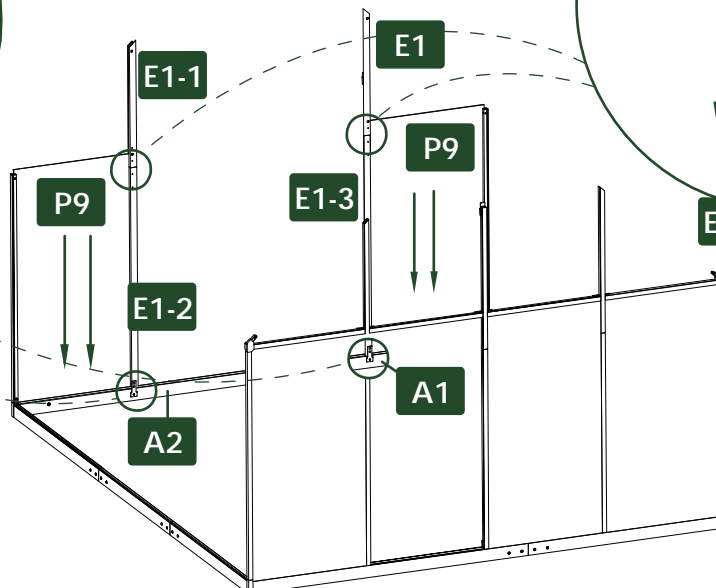
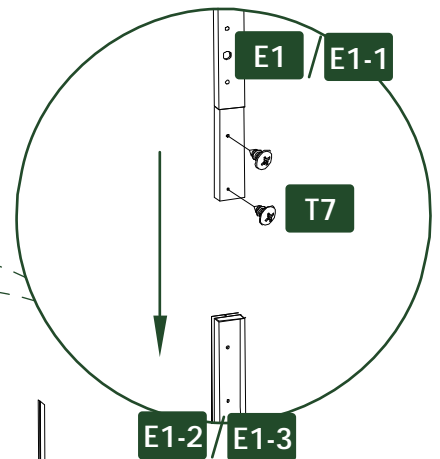
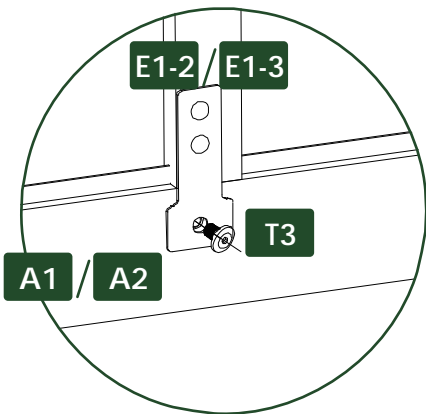
Check if the frames are aligned.
You can use a level gauge for this.

 **T3** X 4

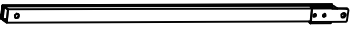


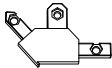
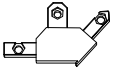
Phase 2: Wall

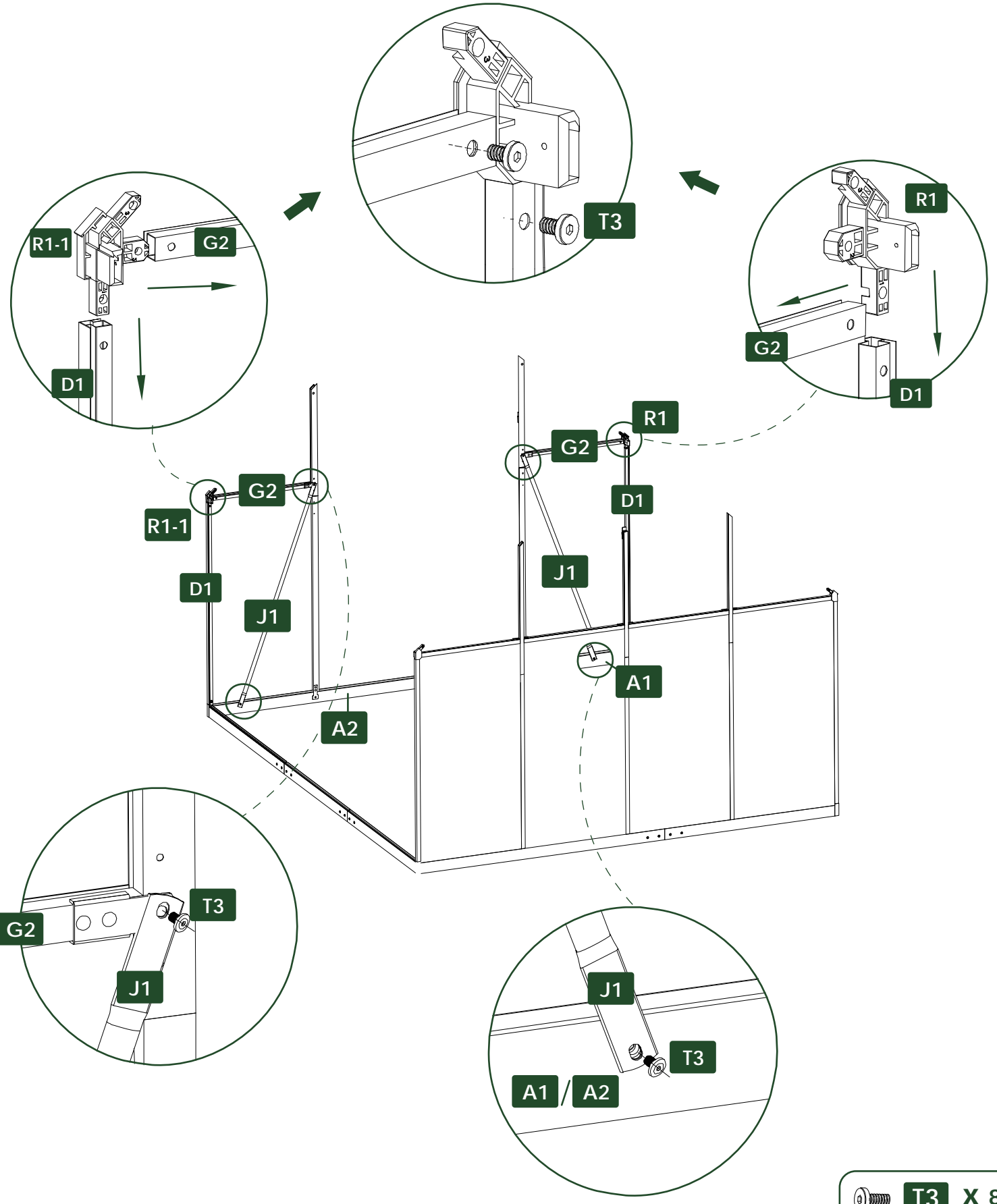


08
STEP



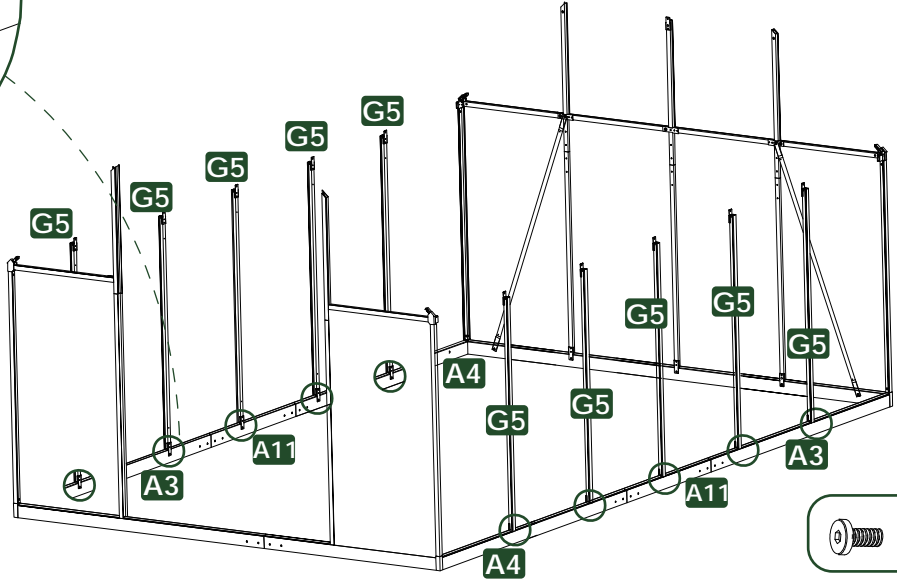
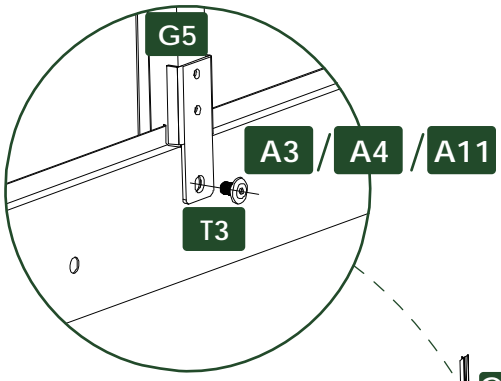
09
STEP

 **G2 X 2**  **J1 X 2**
 **M6 X 3**  **R1 X 1**  **R1-1 X 1**

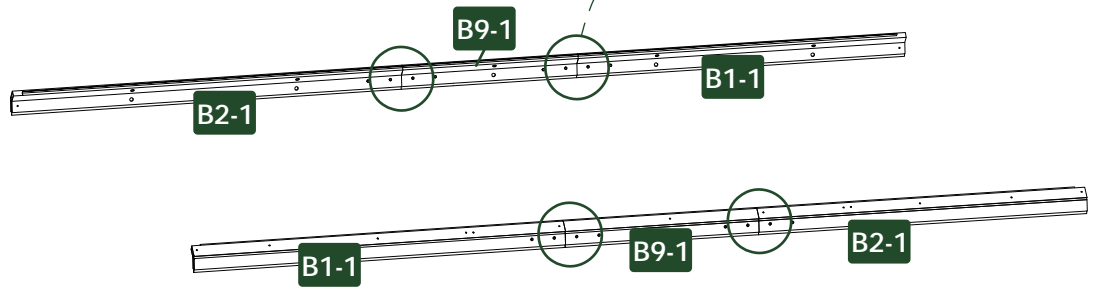
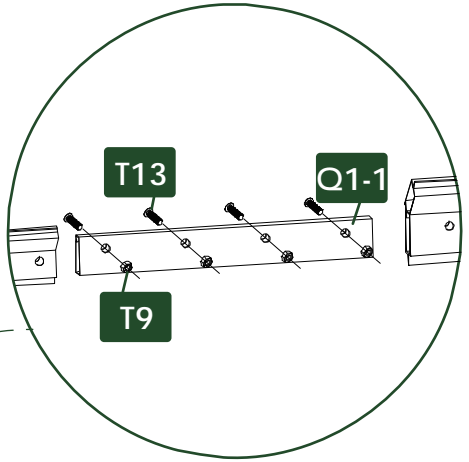
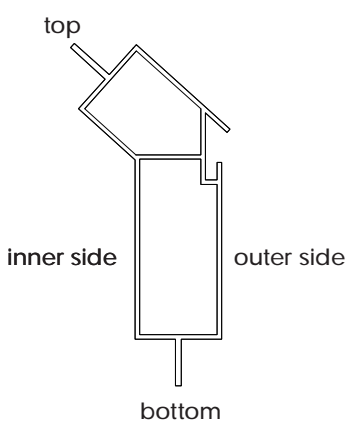
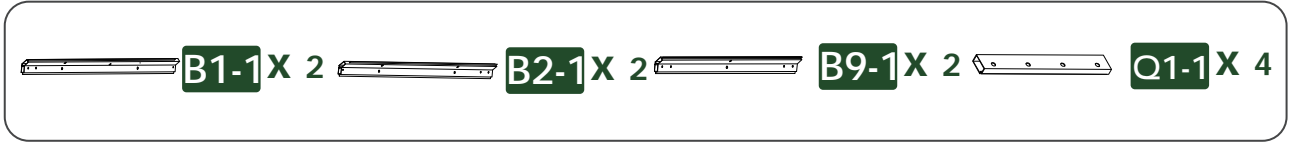


 **T3 X 8**

10 STEP



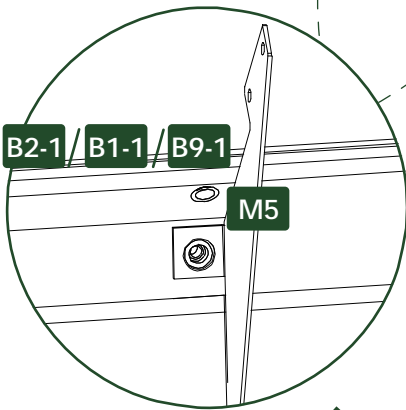
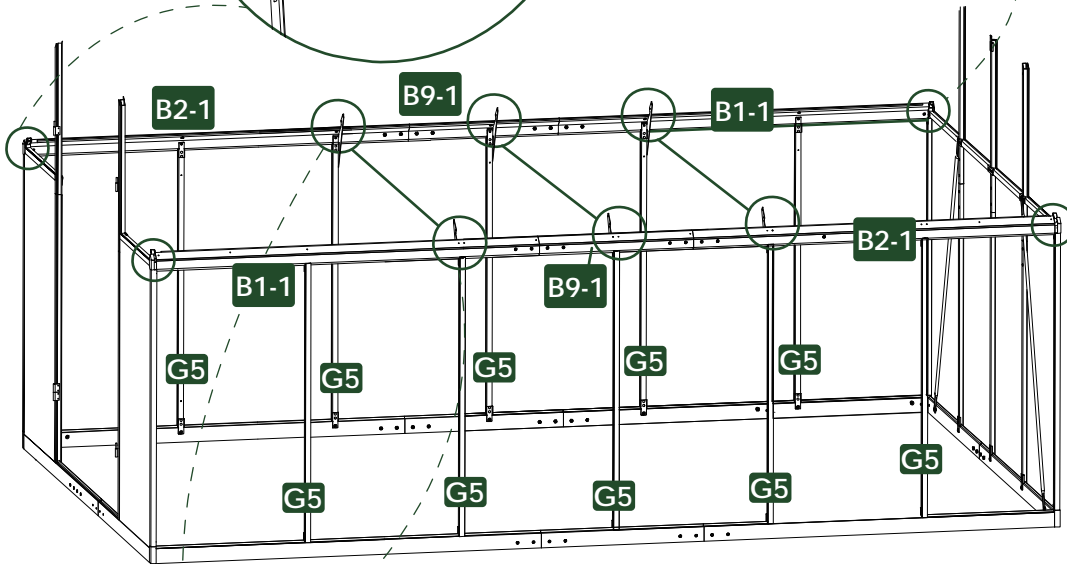
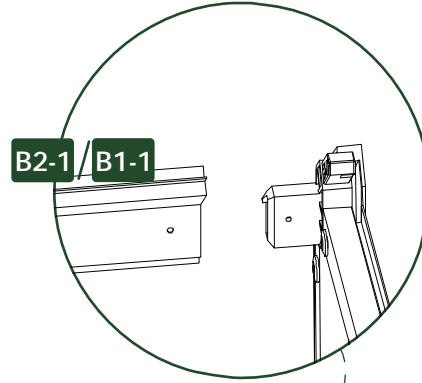
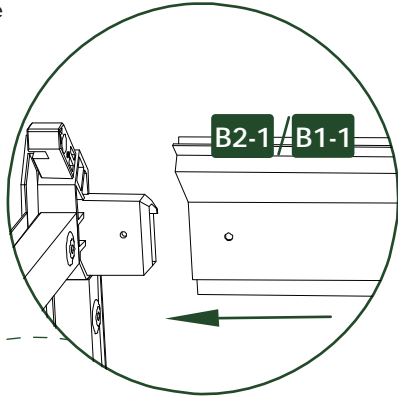
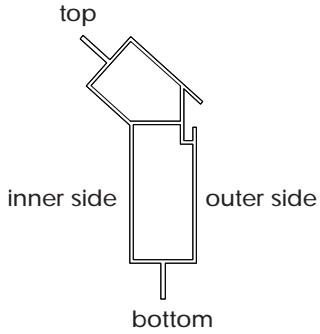
11 STEP



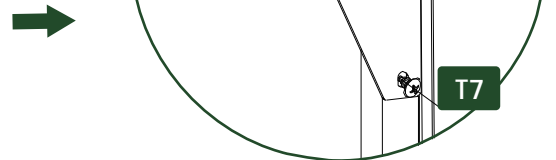
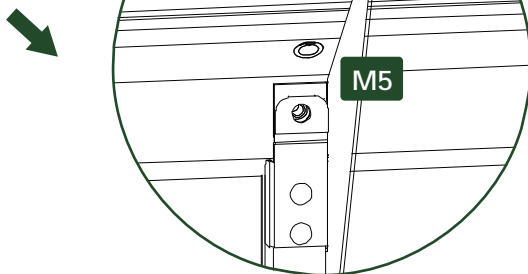
12 STEP



M5 X 6

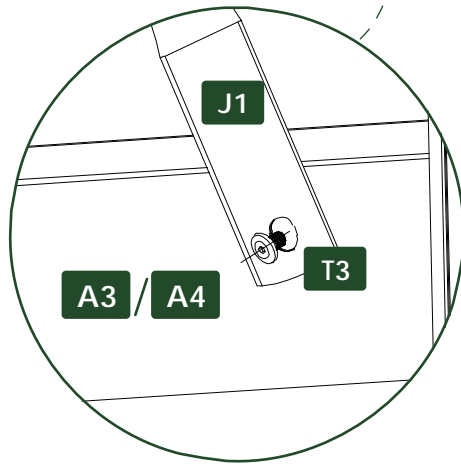
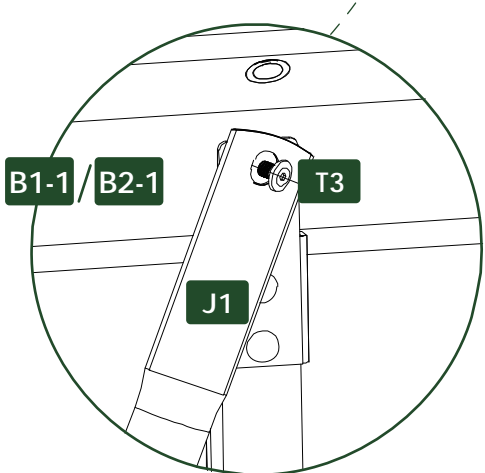
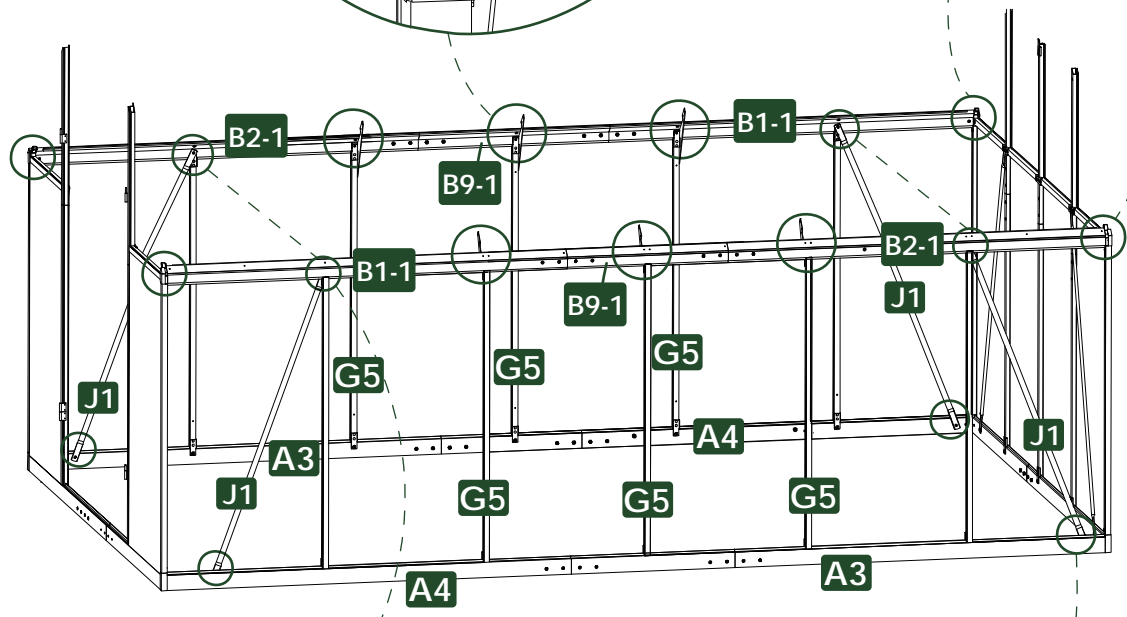
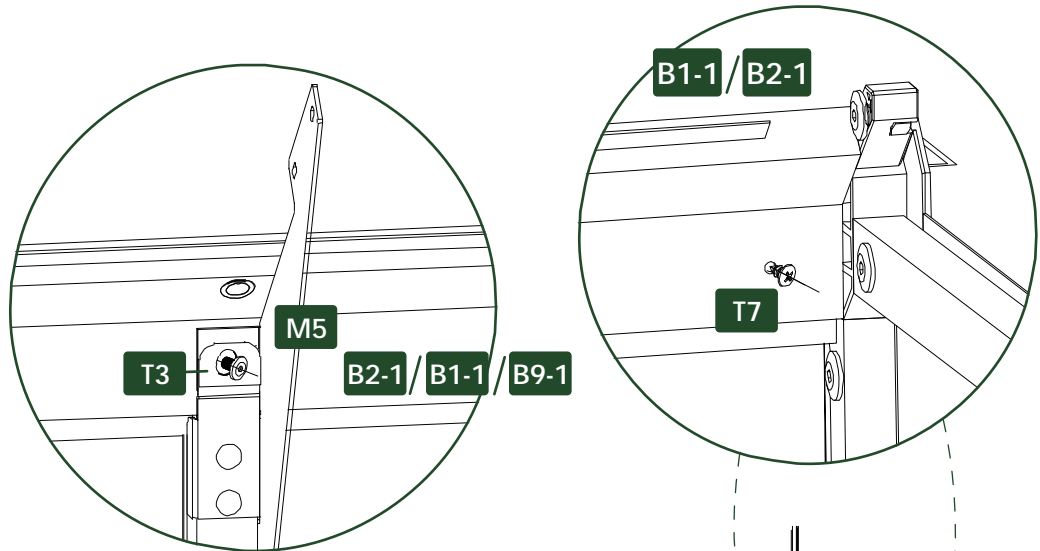
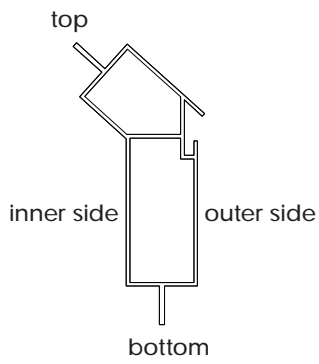


Install 3 "M5" (total of 6) on both sides to achieve fixation, and after the "M5" holes cover the "B1-1, B2-1, B9-1" holes, place the "G5" hole in alignment. Then use "T7" to fix the M5. (Note: Do not install the "M5" at the two side positions.)



T7 X 6

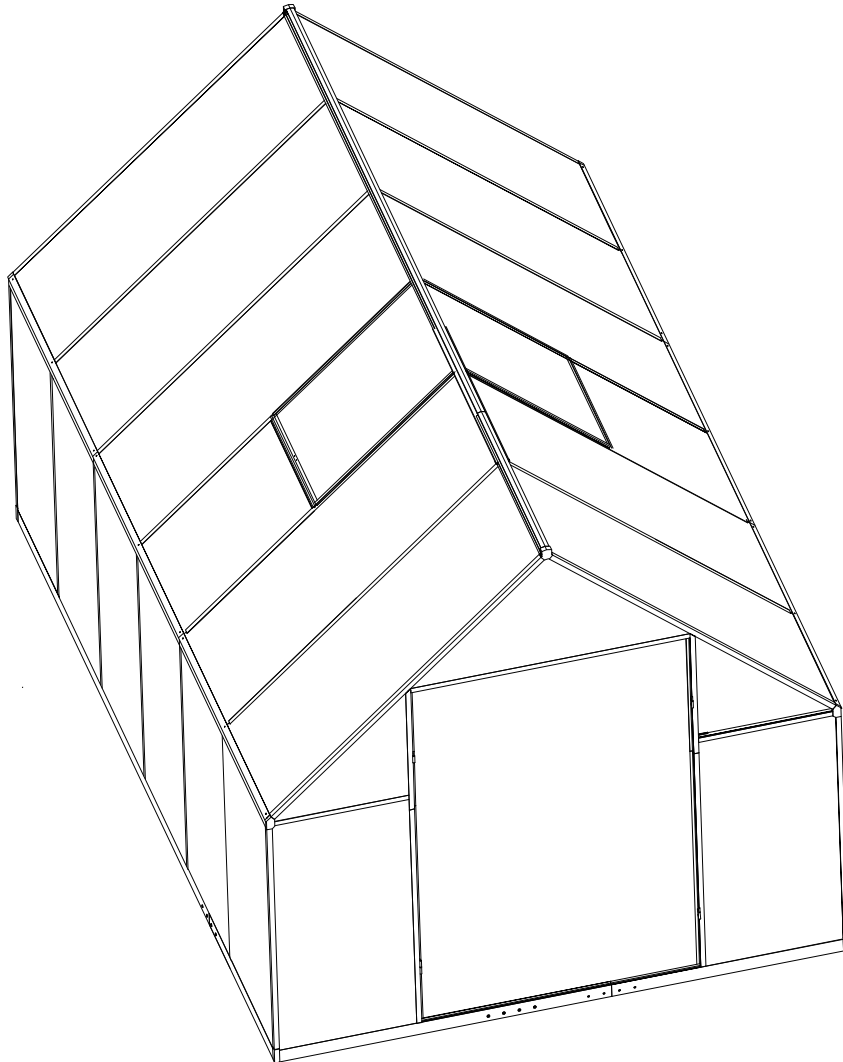
13 STEP



Check if the frames are aligned.
You can use a level gauge for this.



Phase 3: Top



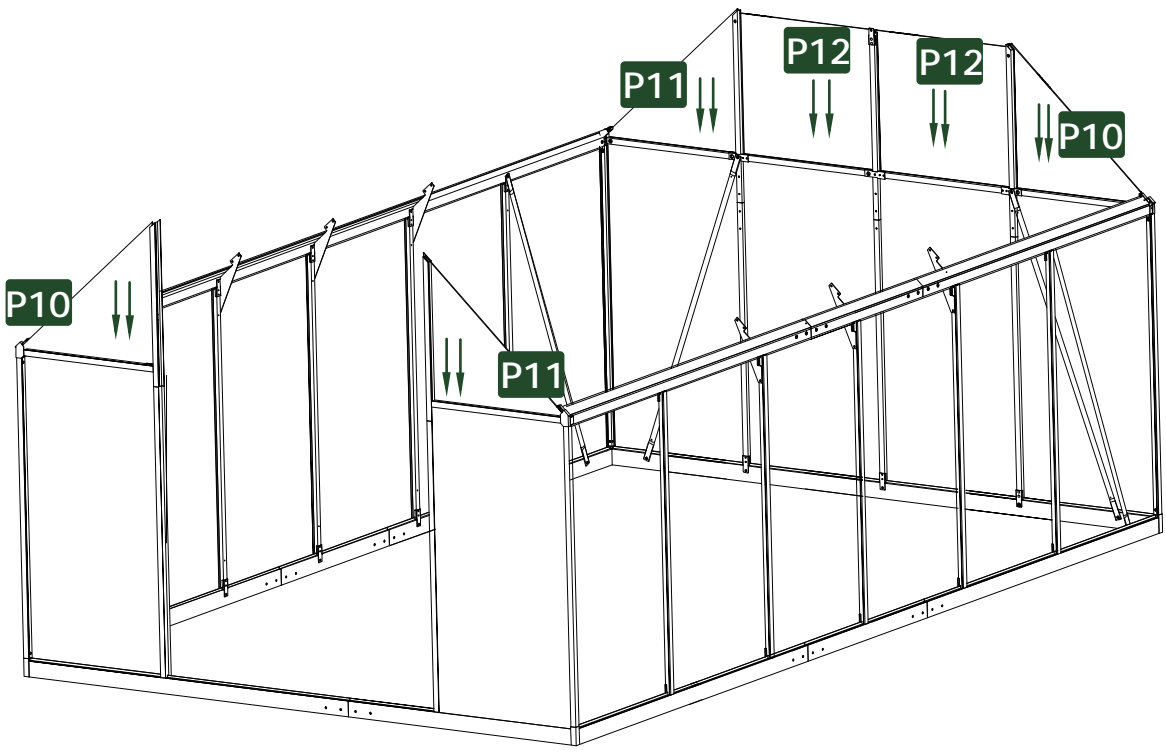
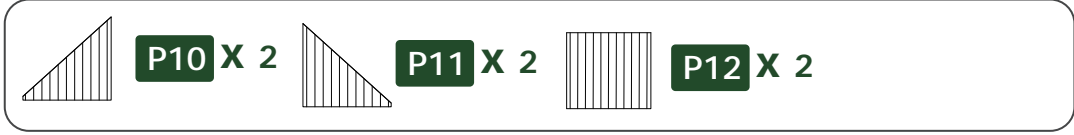
If you find any variant of the top material, you can reset it using your hands or a pair of pliers.



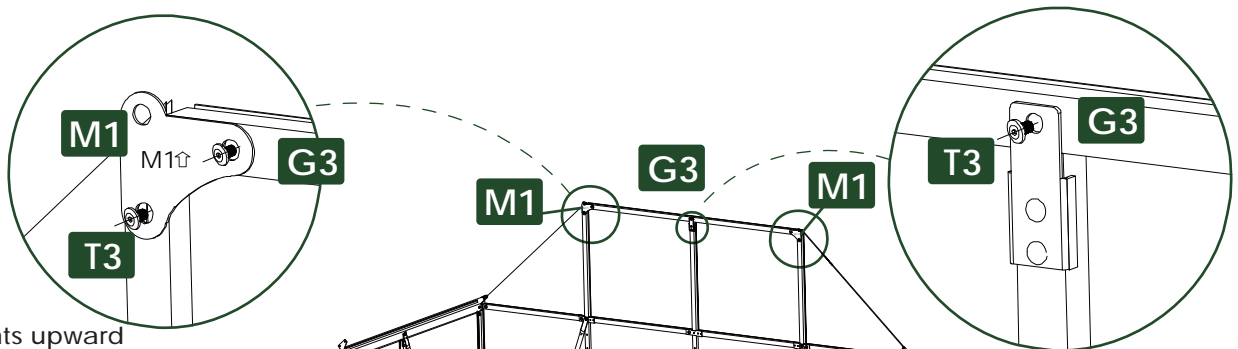
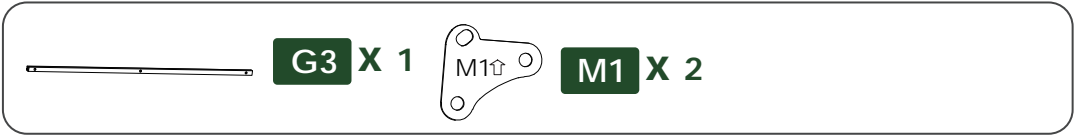
Please wear gloves when working.



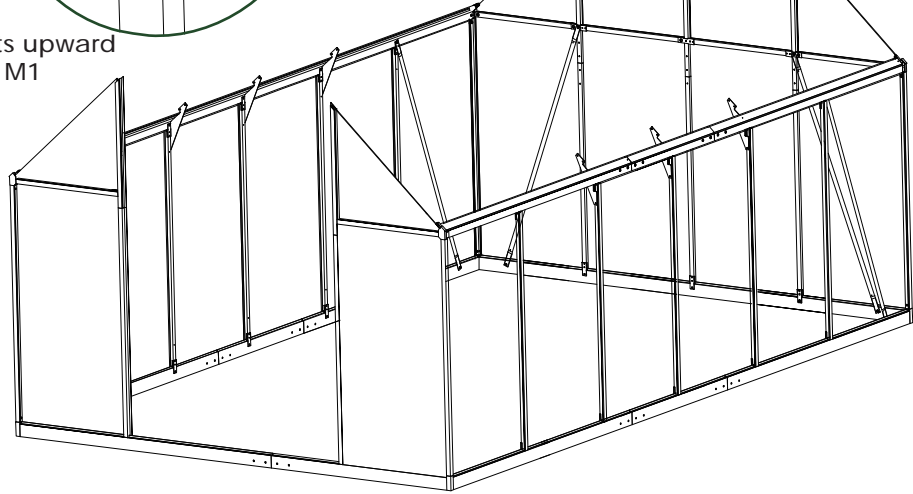
14 STEP



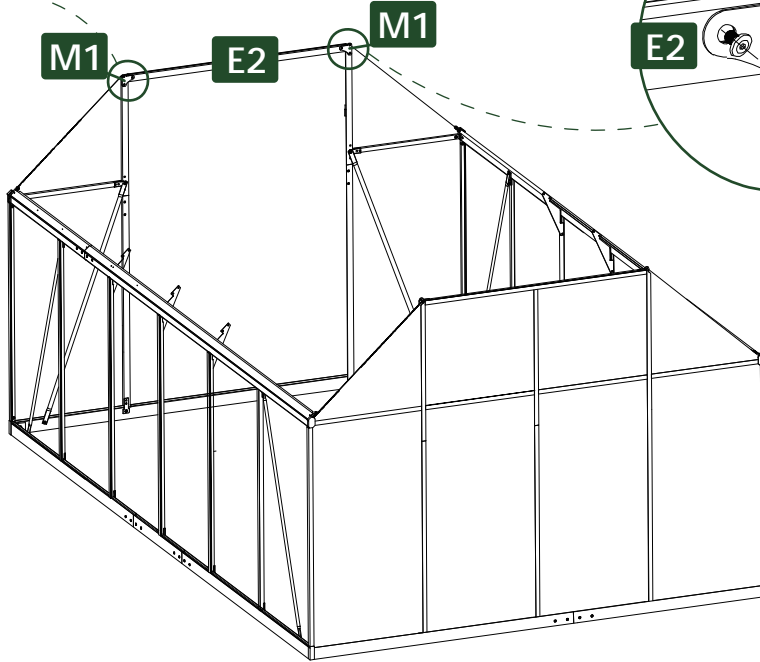
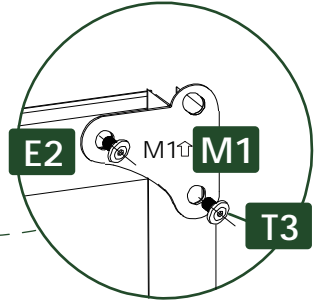
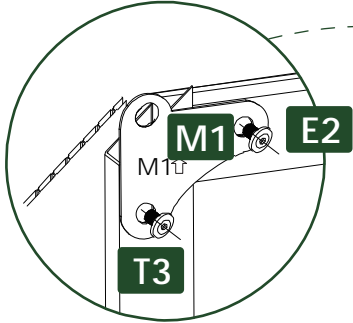
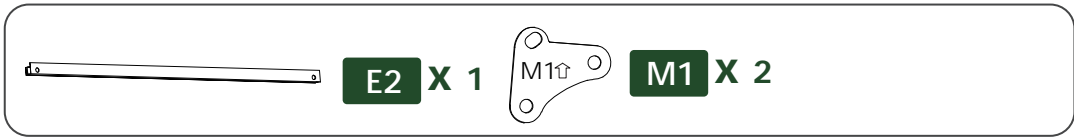
15 STEP



The arrow points upward when installing M1



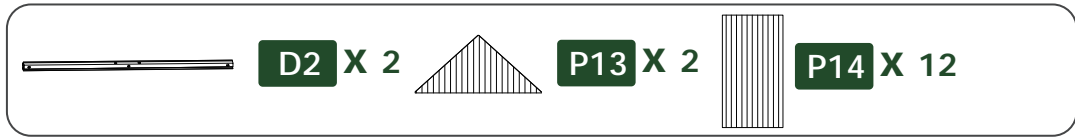
16 STEP



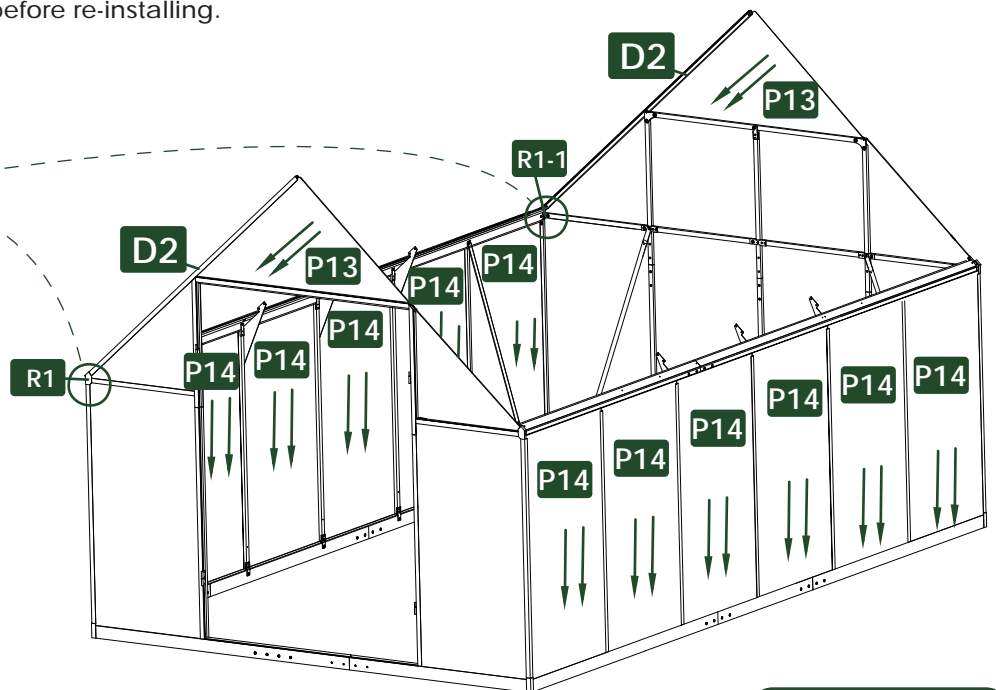
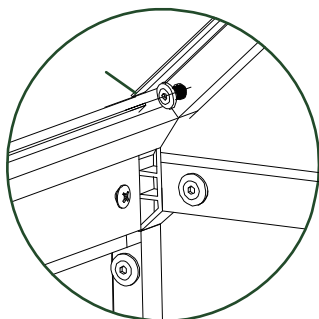
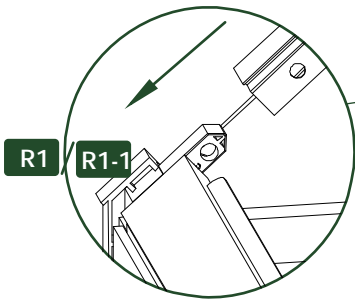
The arrow points upward when installing M1



17 STEP



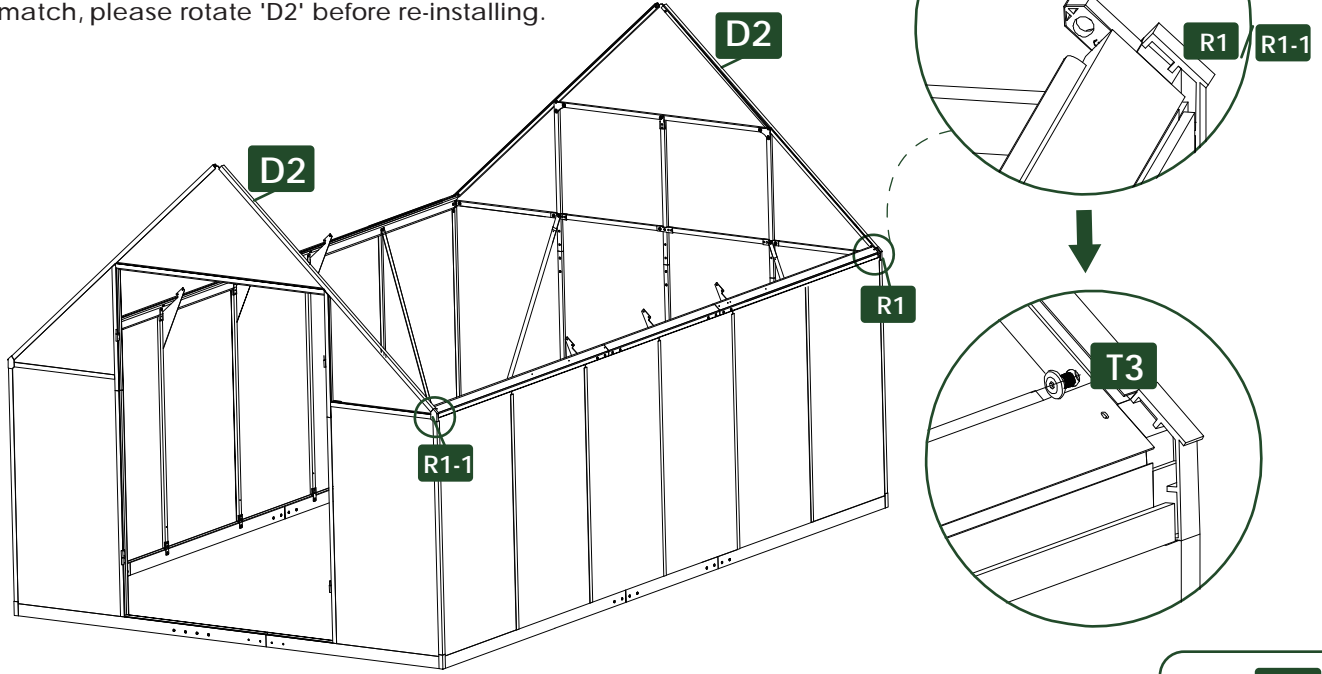
After installing 'D2', if the hole position does not match, please rotate 'D2' before re-installing.



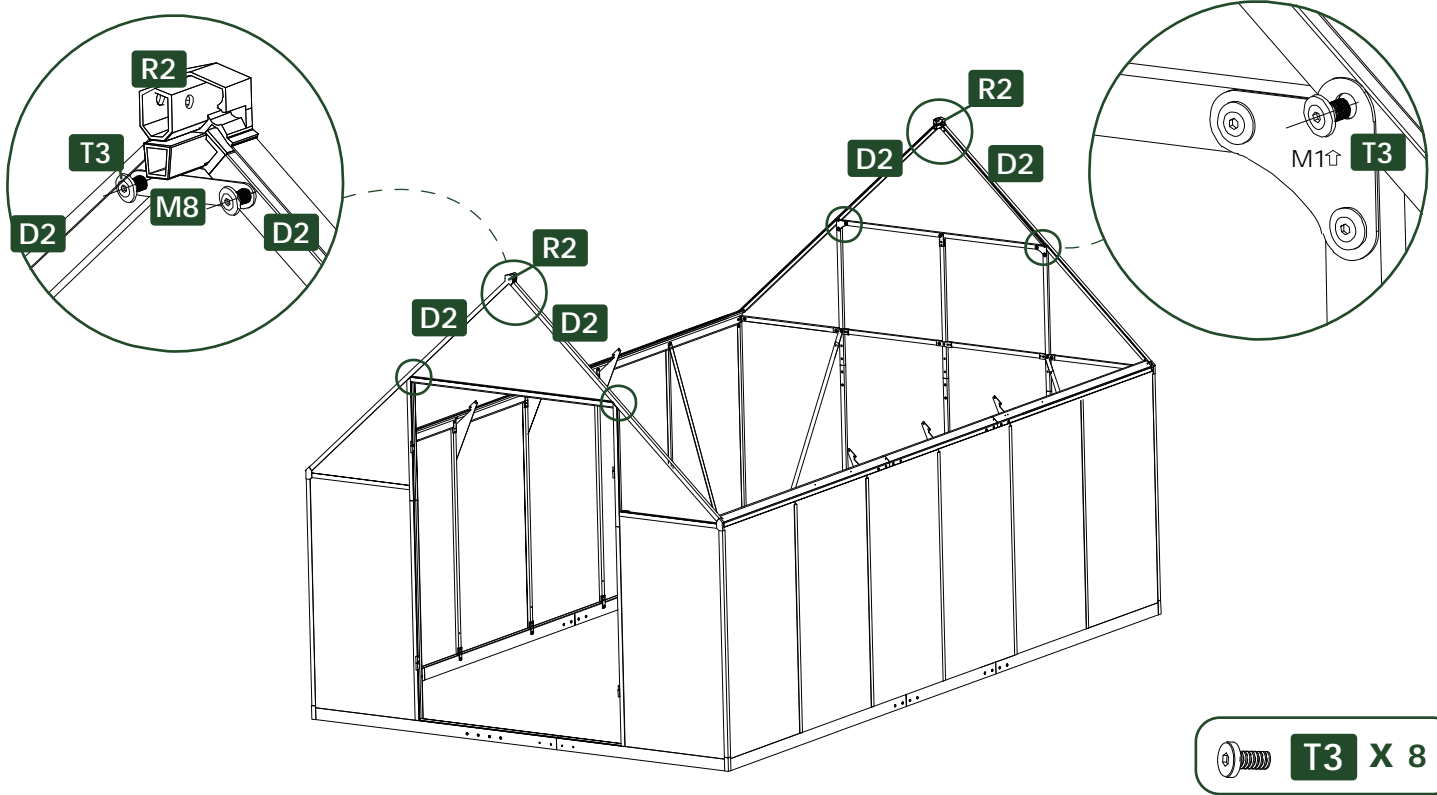
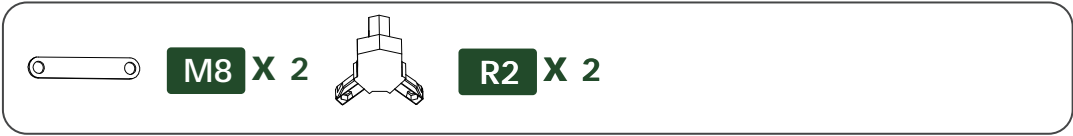
18 STEP



After installing 'D2', if the hole position does not match, please rotate 'D2' before re-installing.

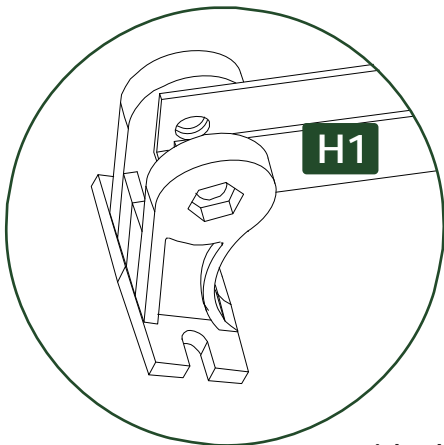
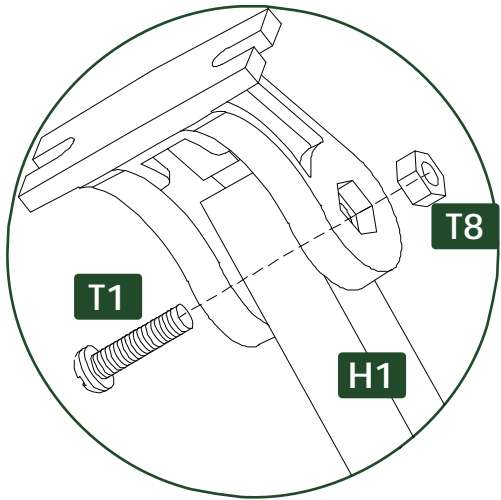
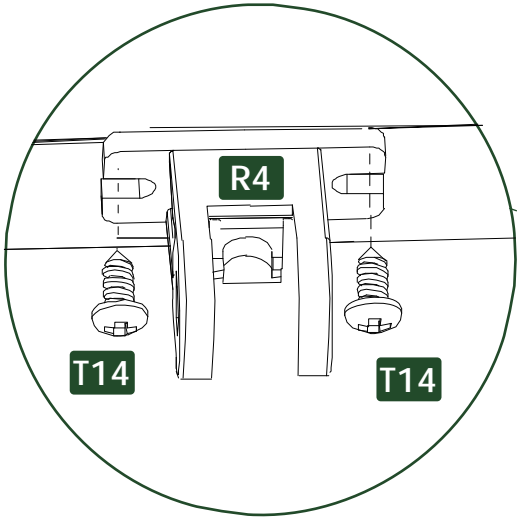


19 STEP

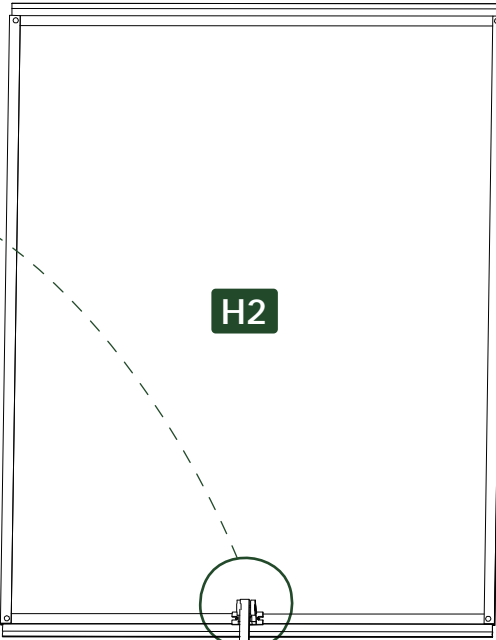
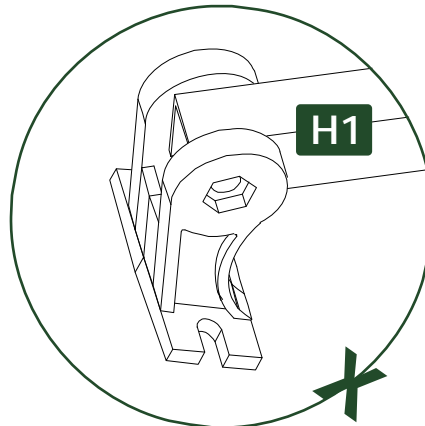


20
STEP
X2

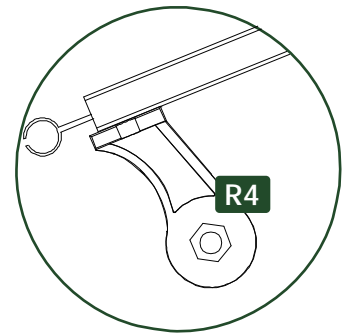
 **H1 X 2**  **H2 X 2**  **R4 X 2**



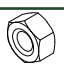
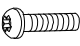
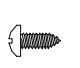
with the opening facing downwards



H1

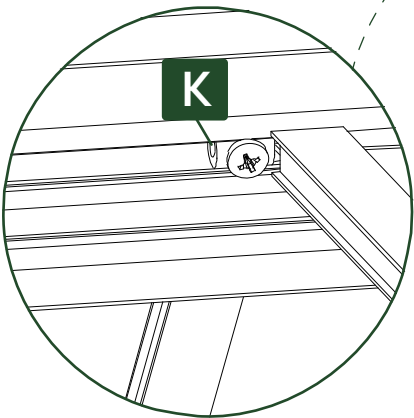
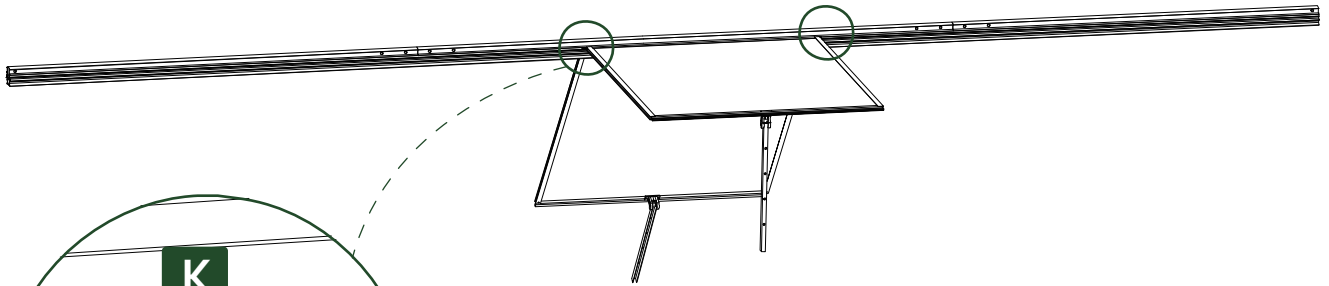
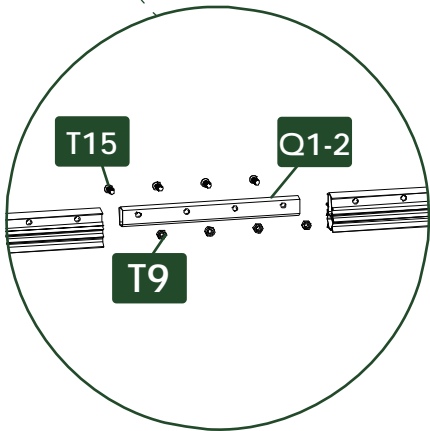
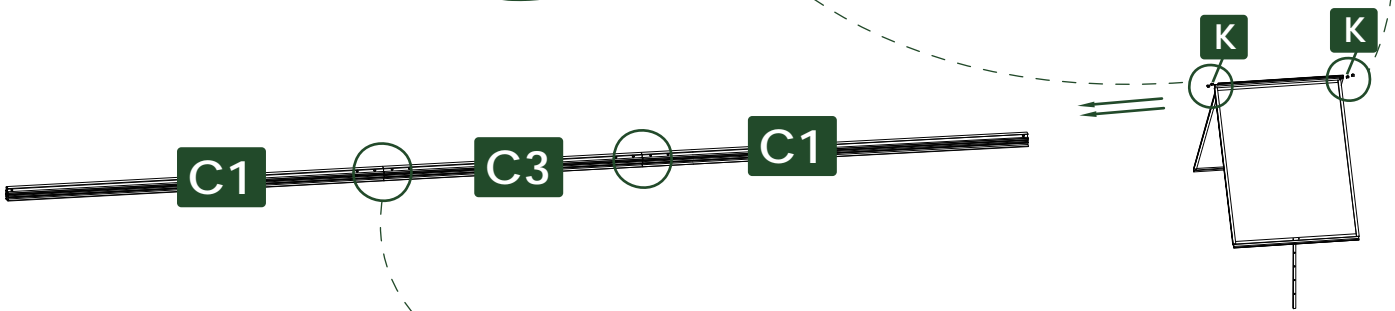
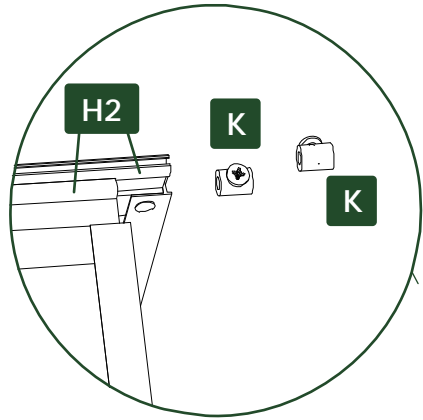
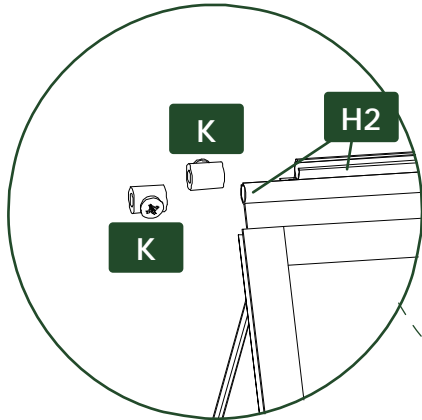


The side with the hole is facing downwards
Please note the R4 orientation.

	T8 X 2
	T1 X 2
	T14 X 4

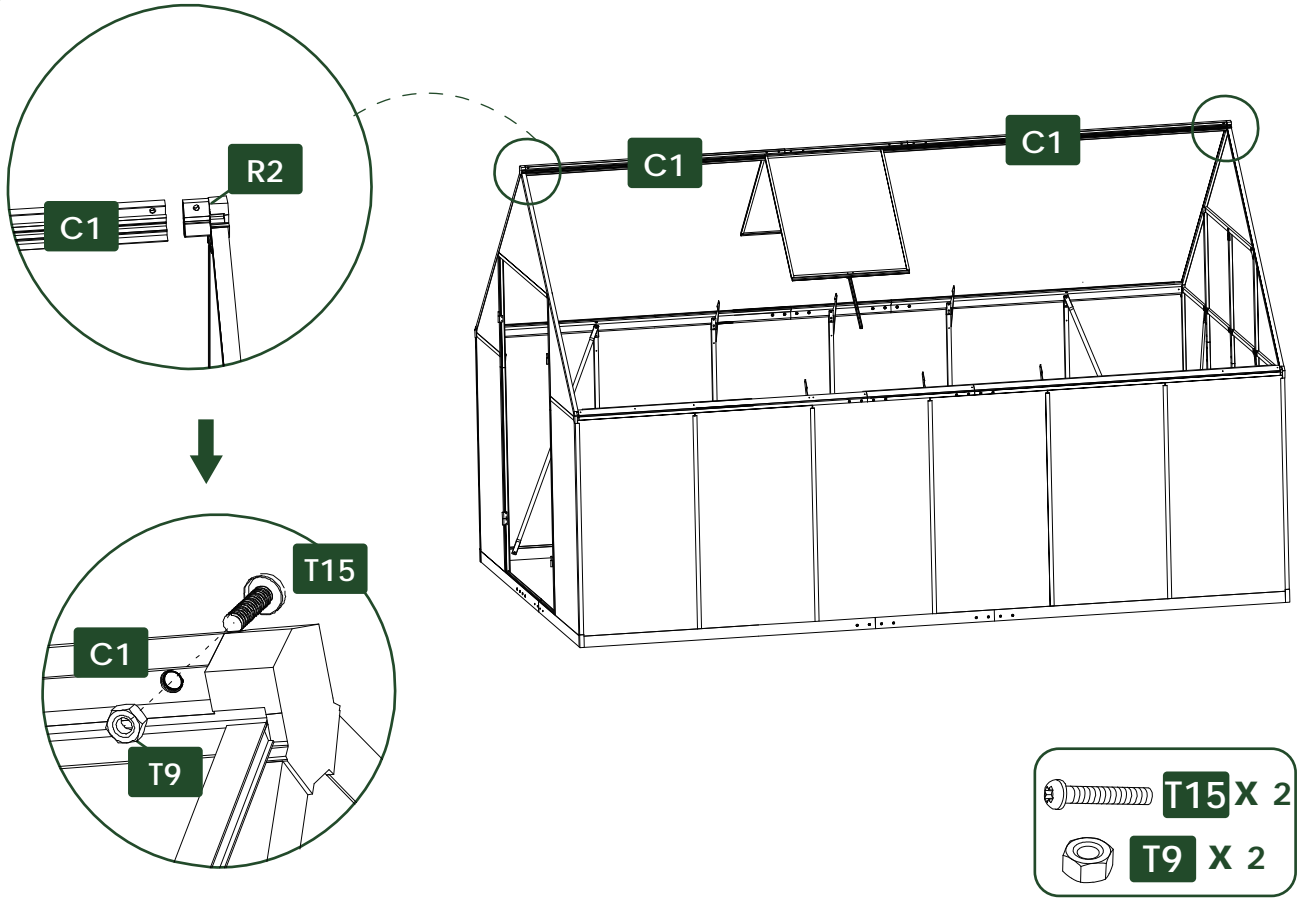
21 STEP

-  **C1** X 2
-  **C3** X 1
-  **Q1-2** X 2
-  **K** X 4

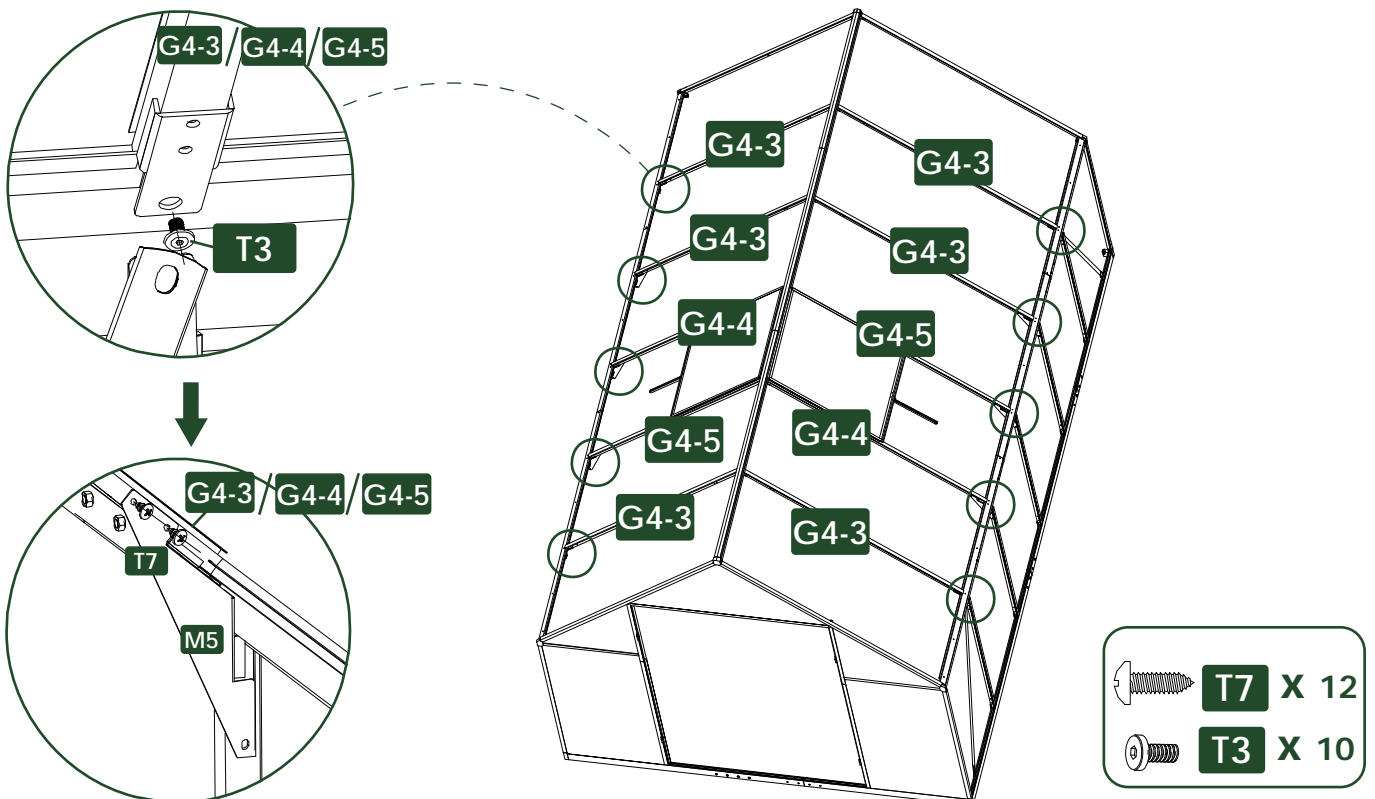
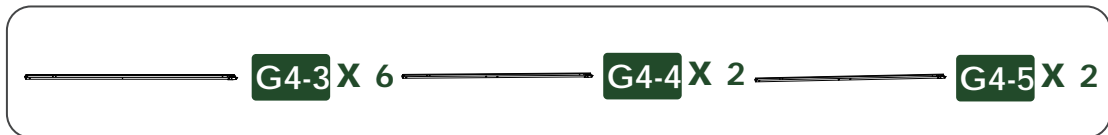


-  **T15** X 8
-  **T9** X 8

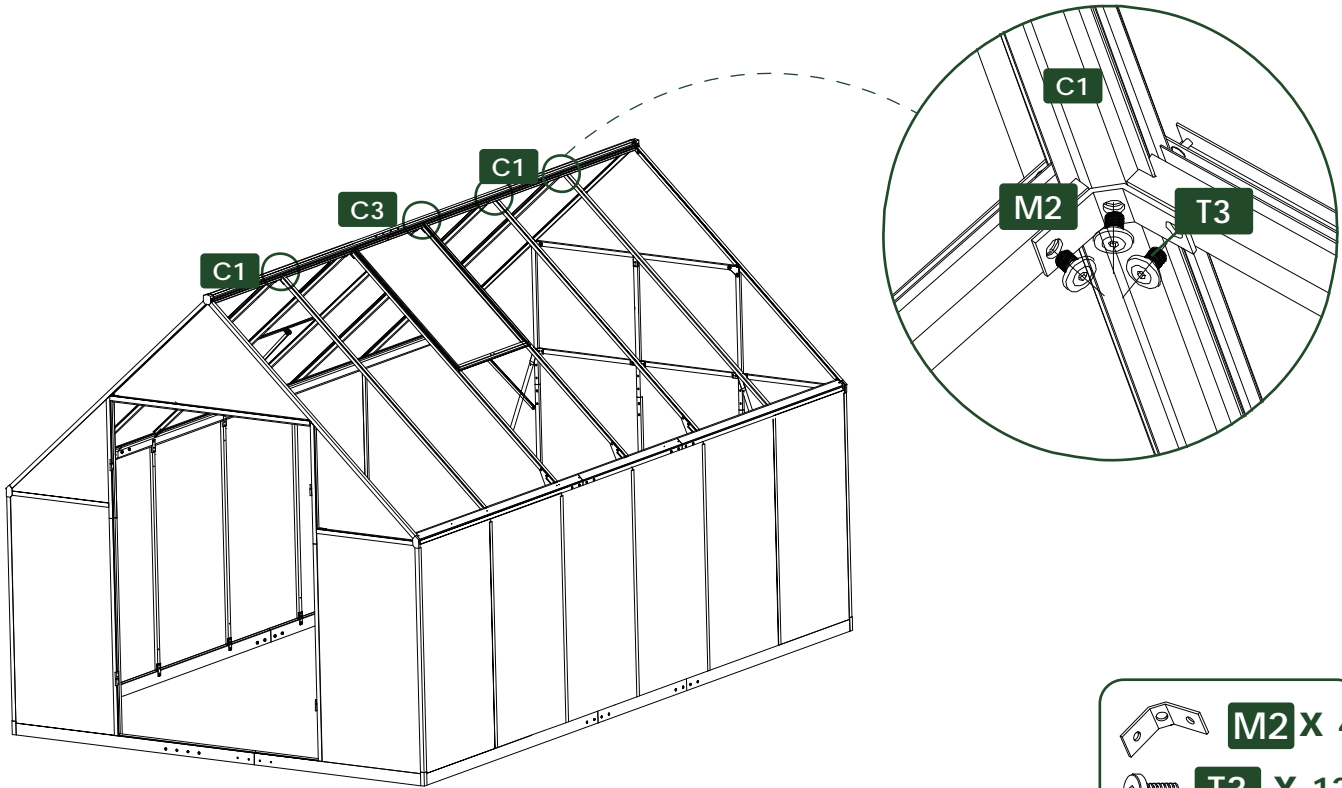
22
STEP



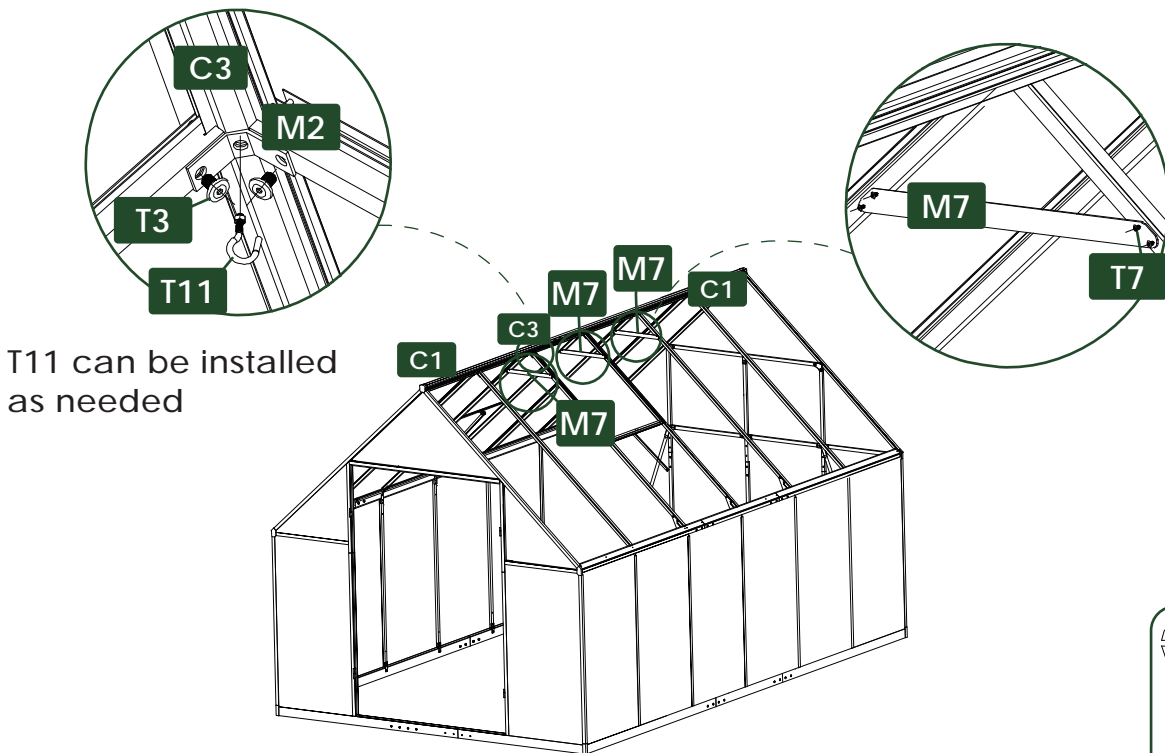
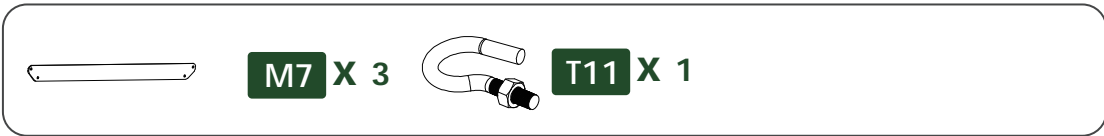
23
STEP



24 STEP



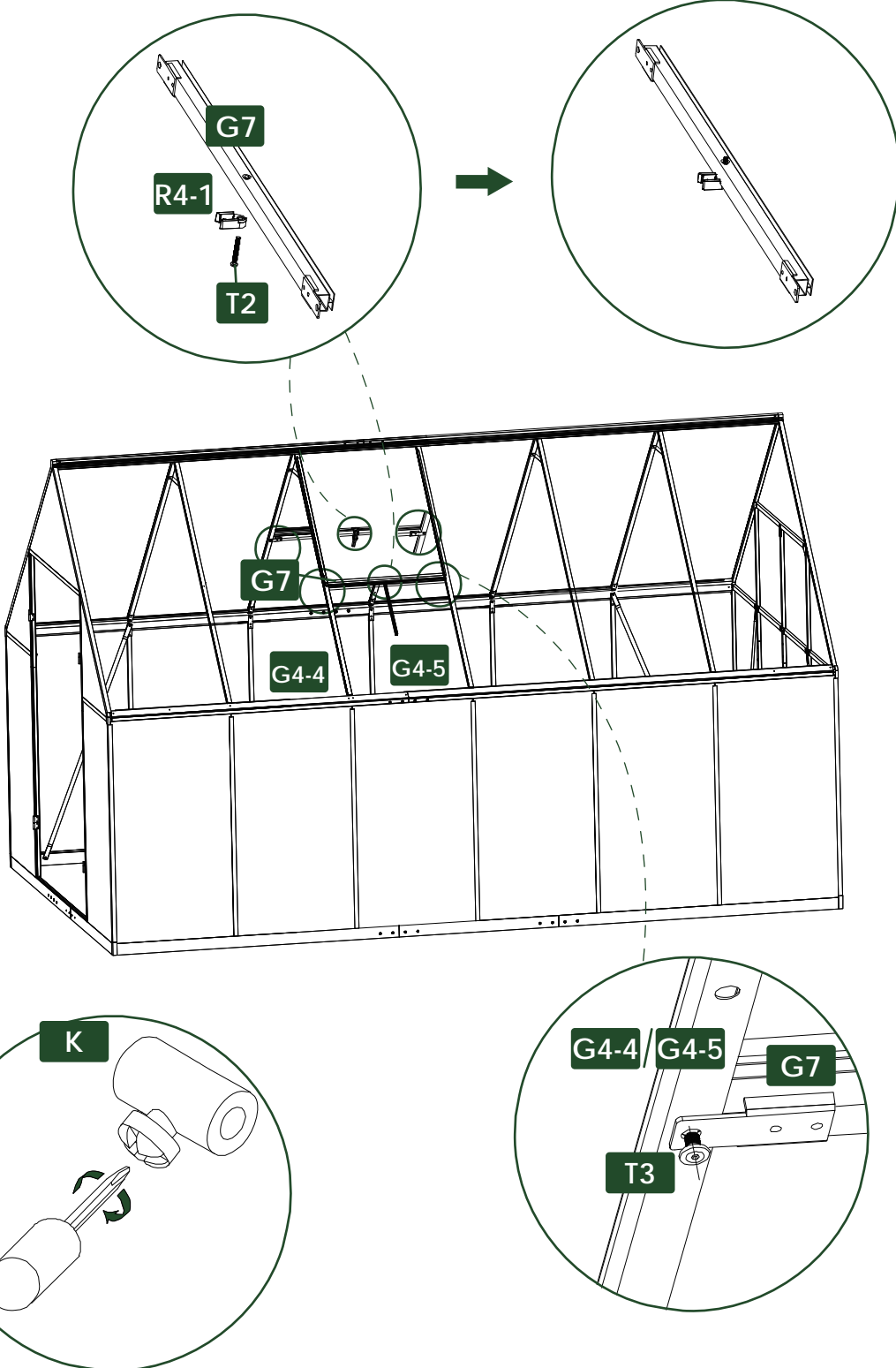
25 STEP





T11 can be installed as needed

26 STEP

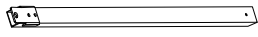
 **G7 X 2**  **R4-1 X 2**



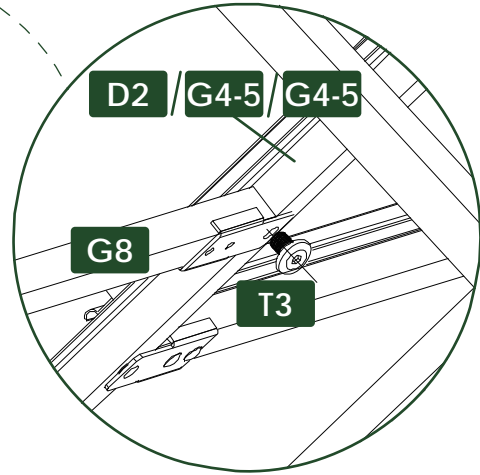
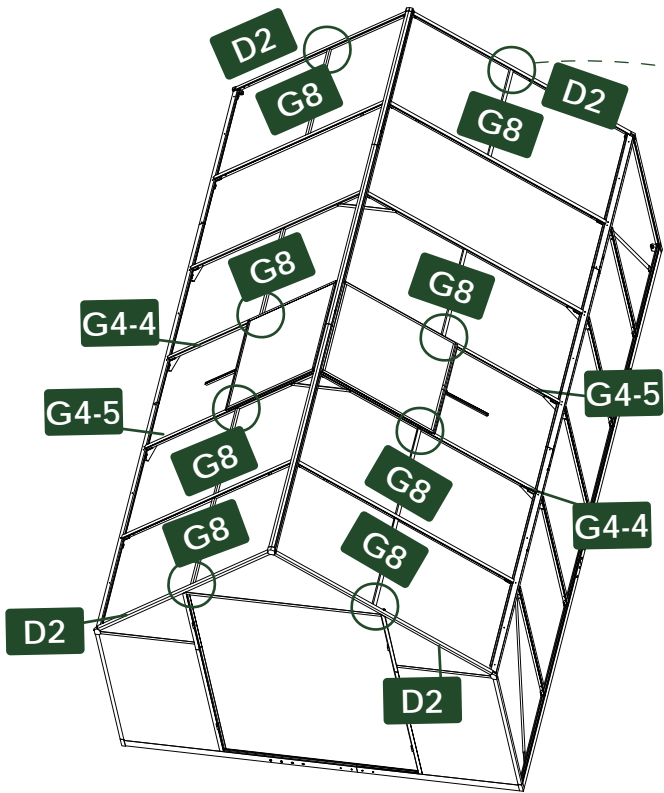
After adjusting the position of window component H2, tighten K.

 **T2 X 2**
 **T3 X 4**

27
STEP



G8 X 8

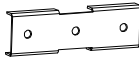


T3 X 8

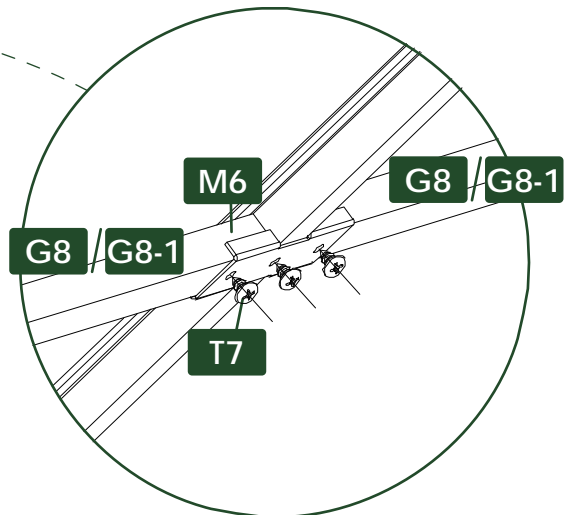
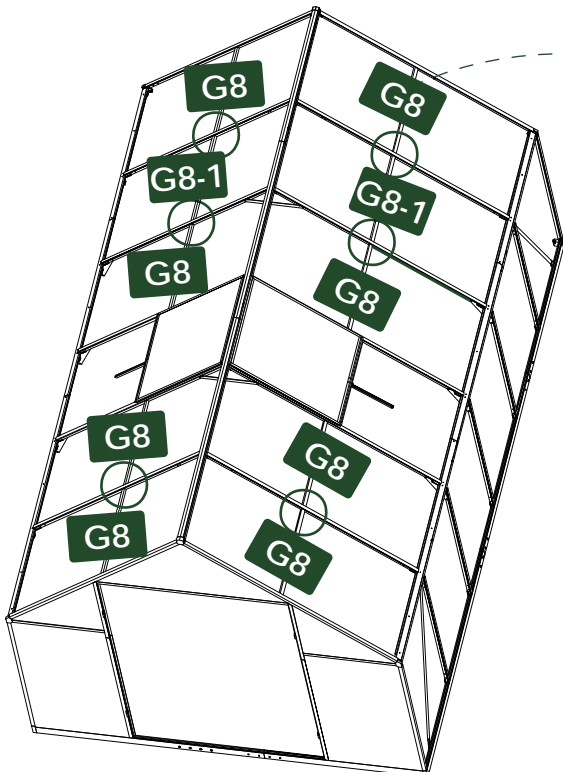
28
STEP



G8-1 X 2

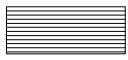


M6 X 6

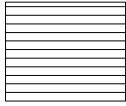


T7 X 18

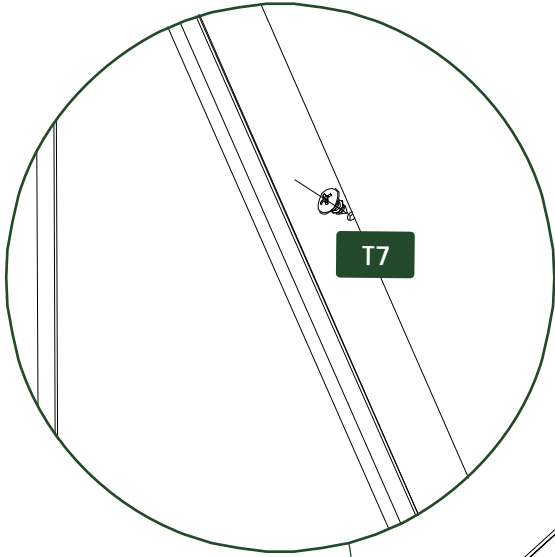
29 STEP



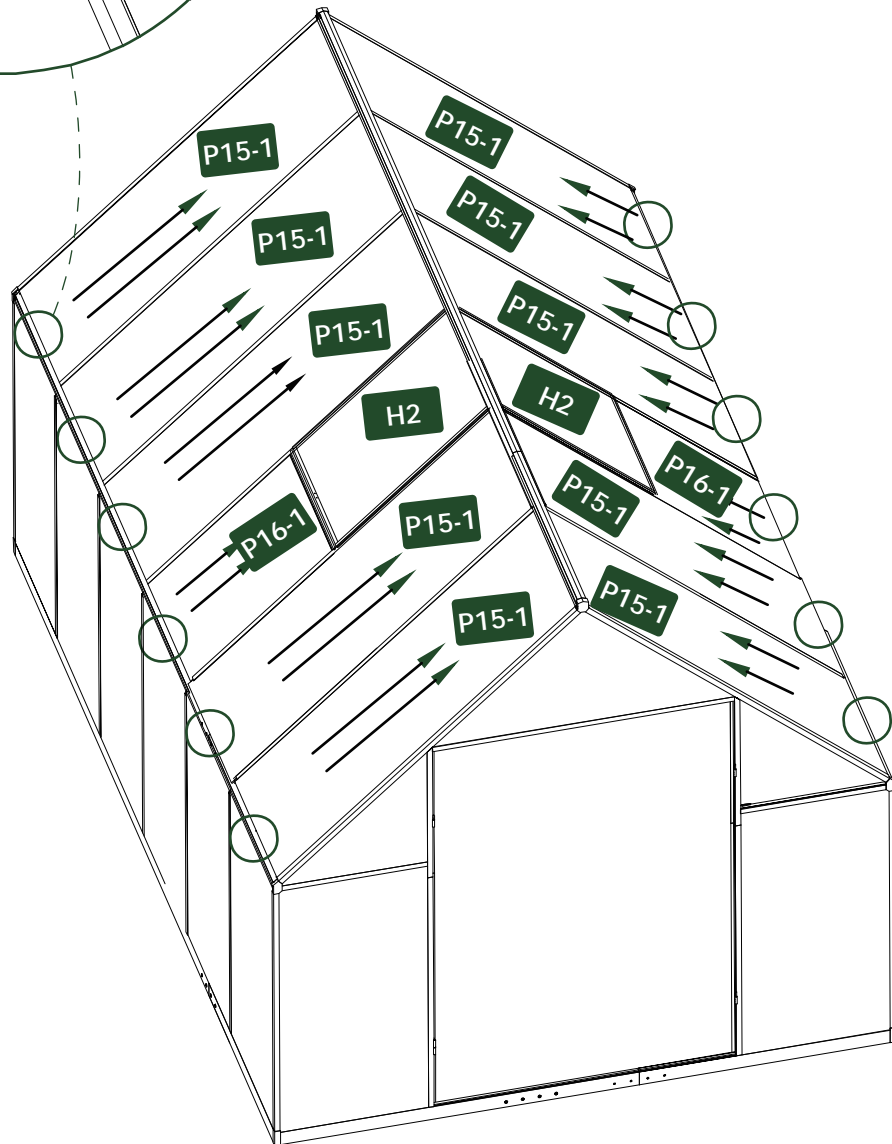
P15-1 X 10



P16-1 X 2







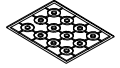
After installing P15-1 and P16-1, apply T7 to secure them.

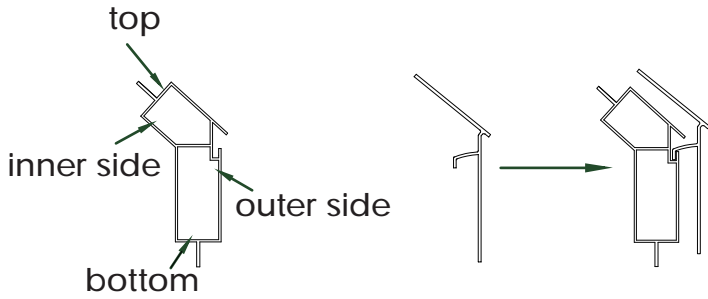


T7 X 12

30 STEP

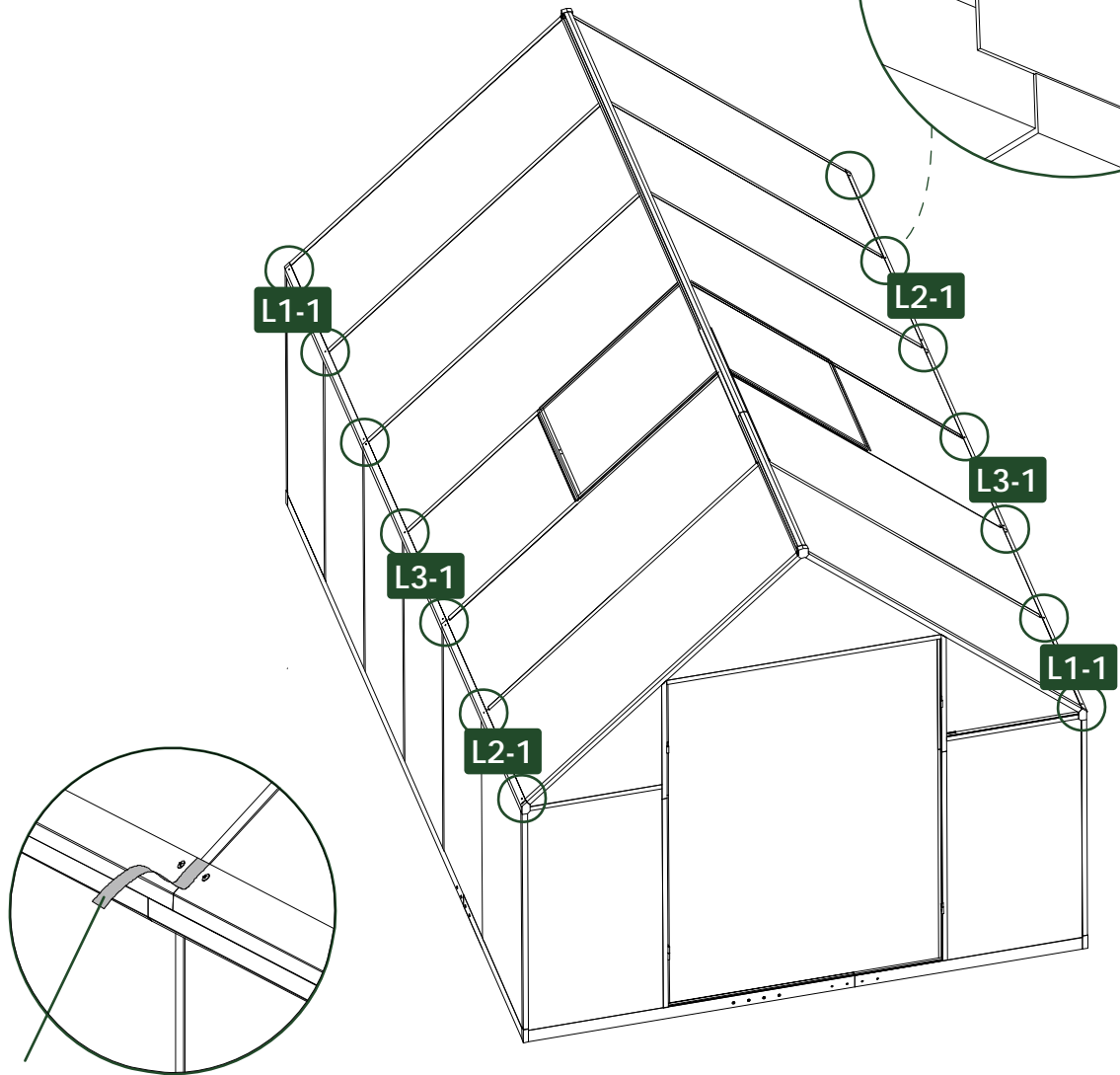
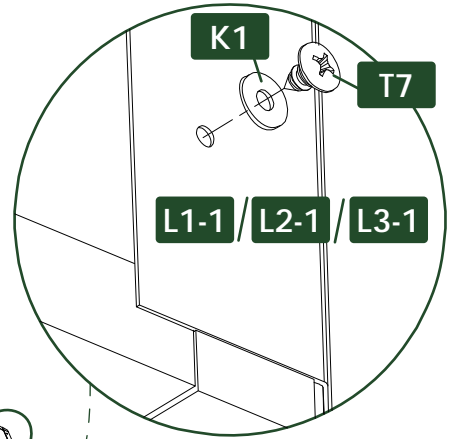
 3M rubber strip
  **L1-1 X 2**
 **L2-1 X 2**
 **L3-1 X 2**

 **K1 X 2**



Press firmly to ensure it can be securely fitted into the grooves of B1-1/B2-1/B9-1, and then tighten the screws.

Due to the L3-1 clearance issue, the L3-1 hole position should be fixed starting from the central hole.

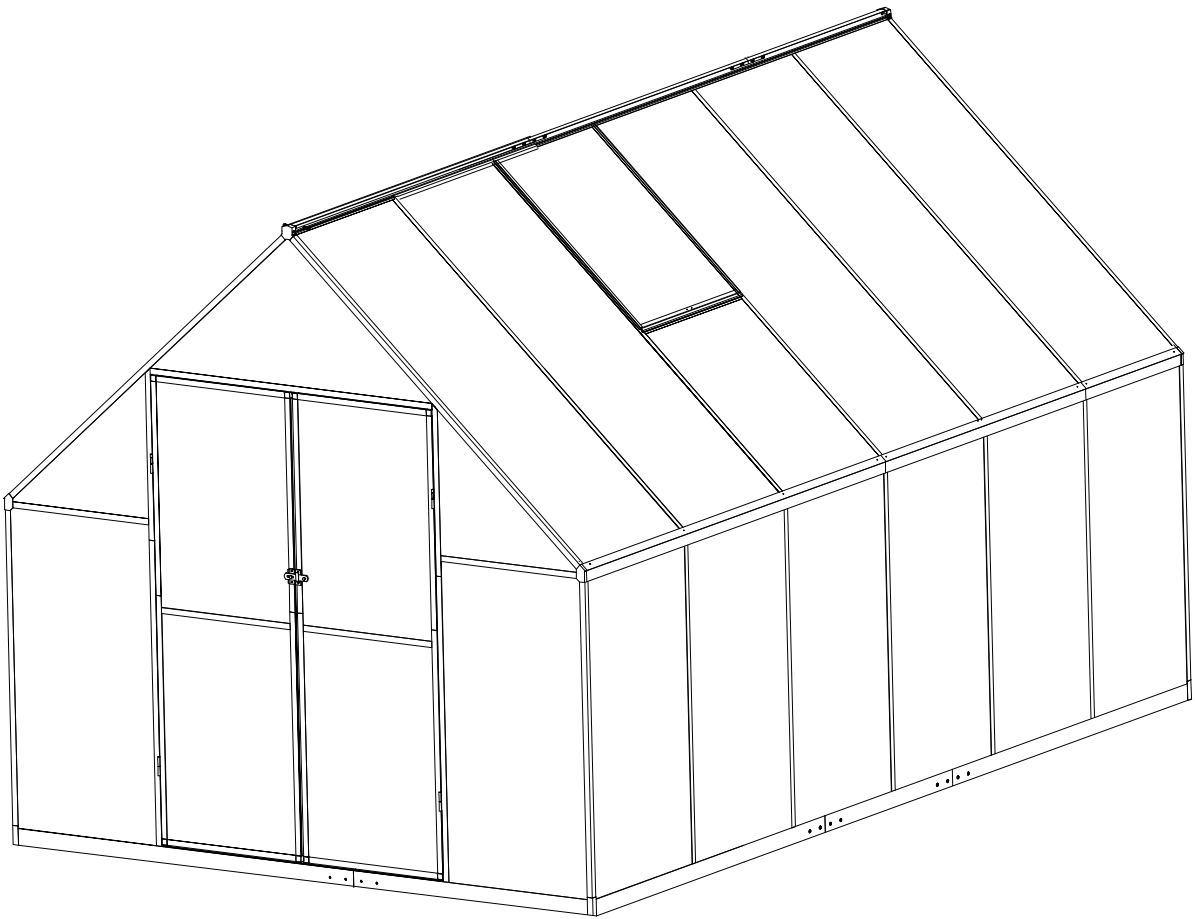


3M rubber strip

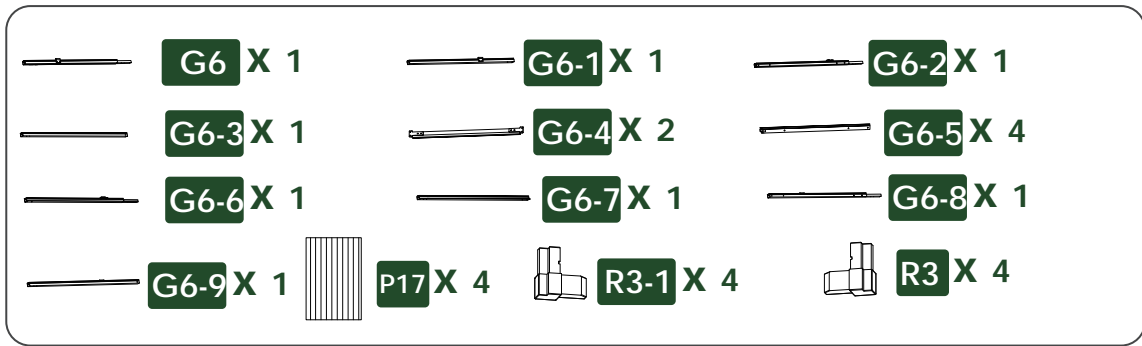
Divide the 3M tape into four sections, align the gaps between L1-1, L2-1, and L3-1, then glue them together.

 **T7 X 18**

Phase 4: Door

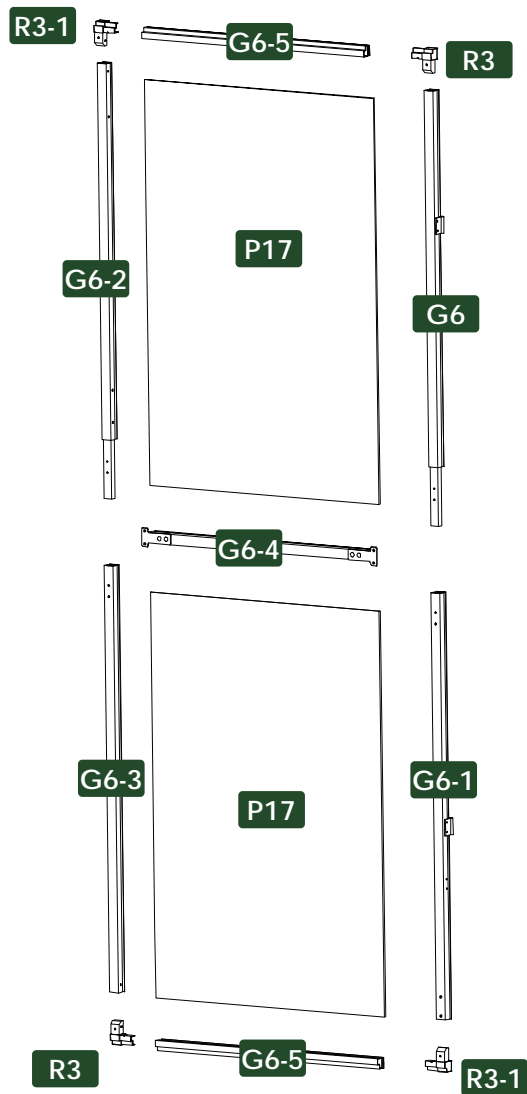


31 STEP

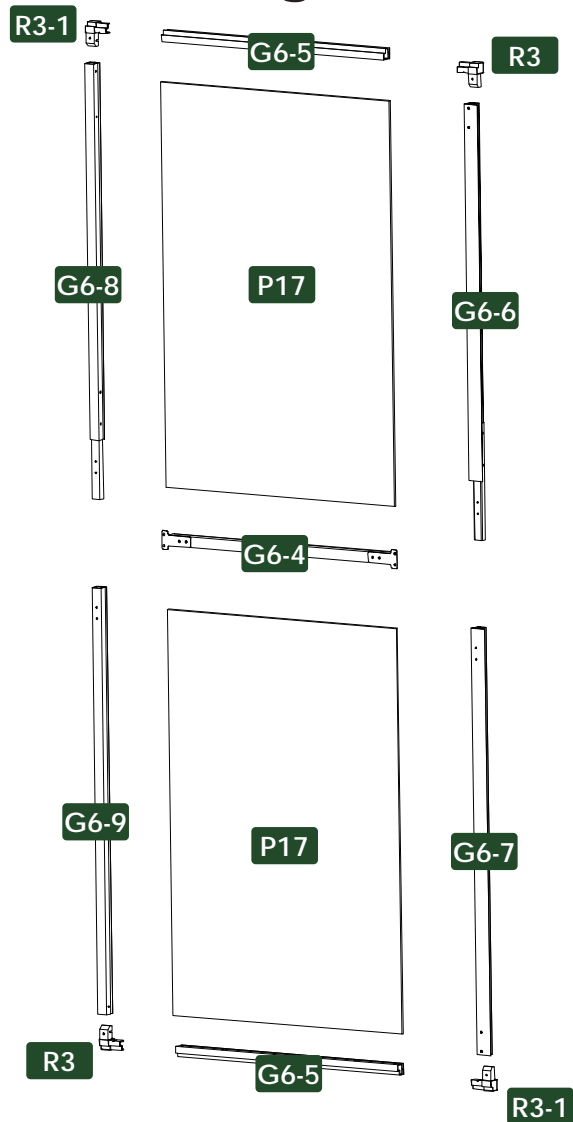


Arrange as shown.

Left

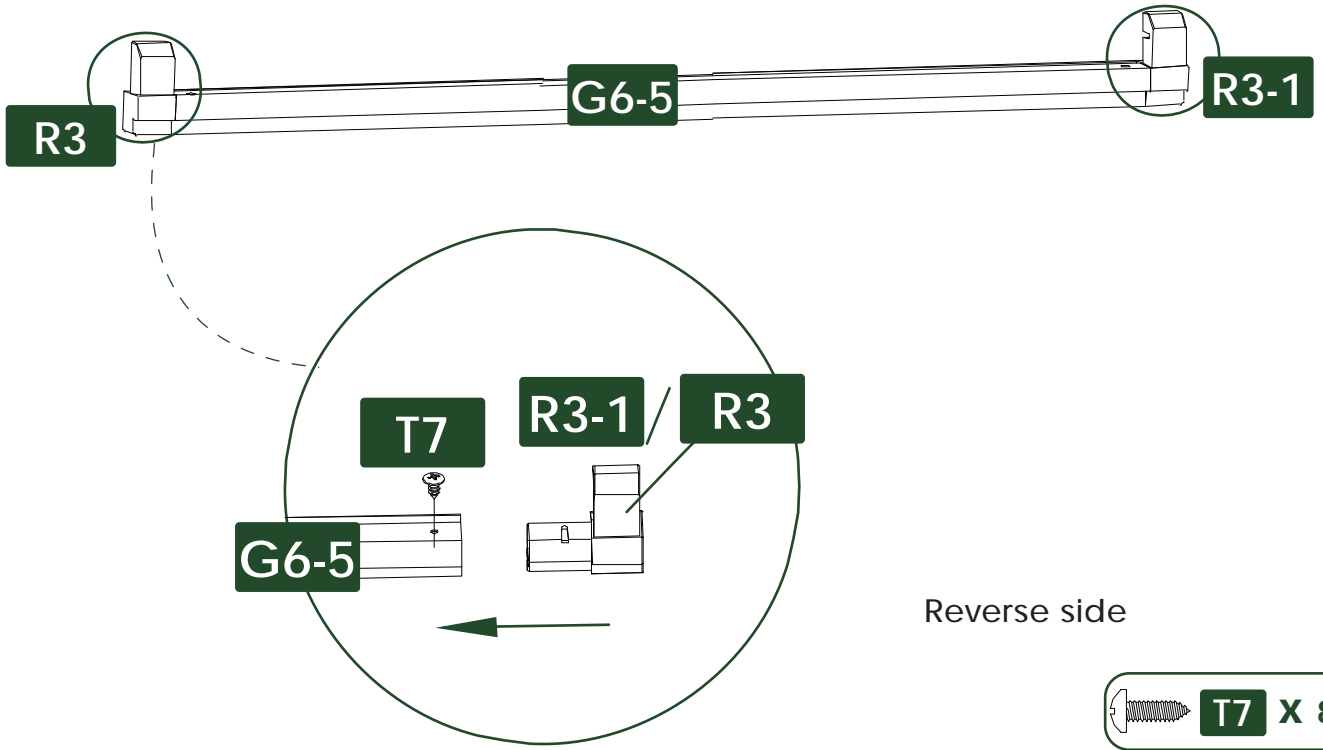


Right



Reverse side

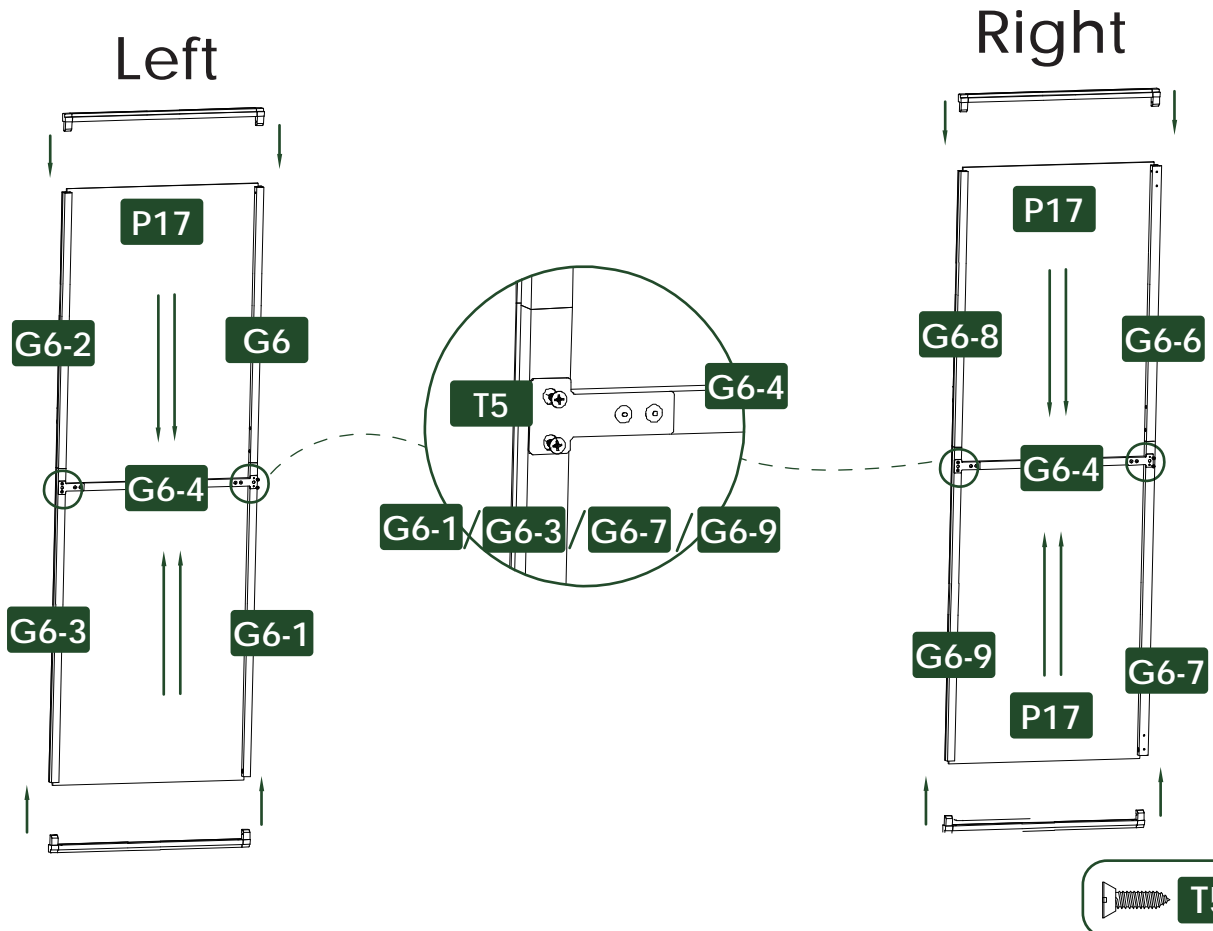
32
STEP
X4



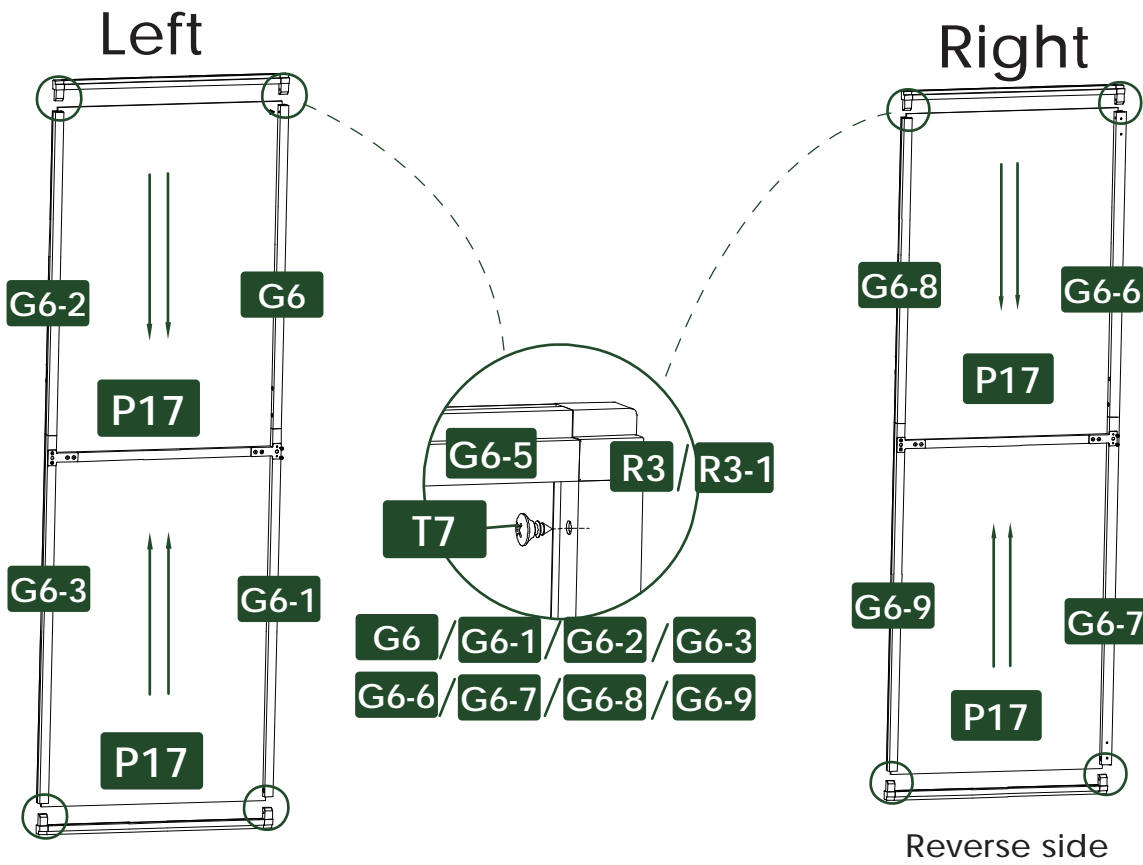
Reverse side



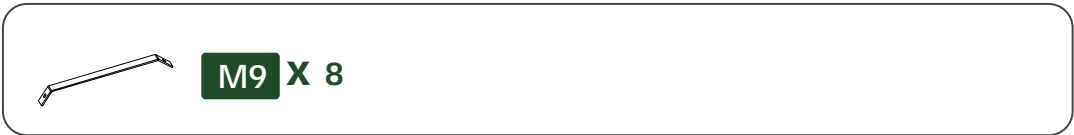
33
STEP



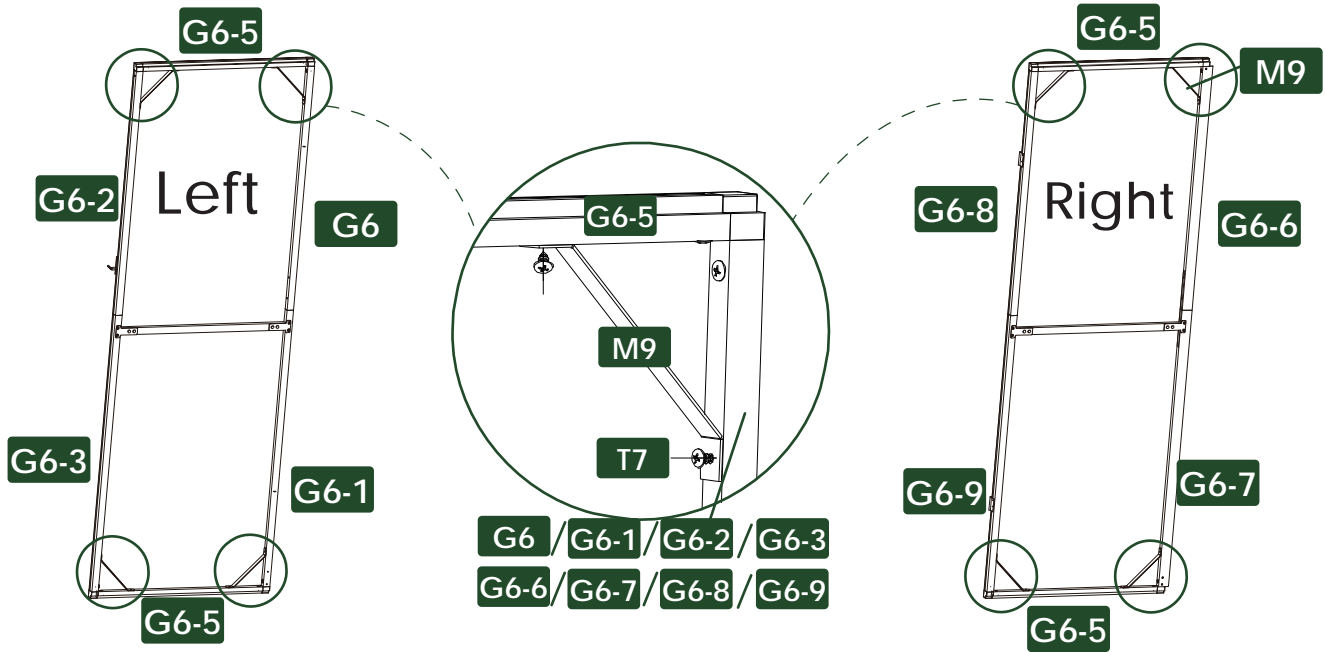
34 STEP



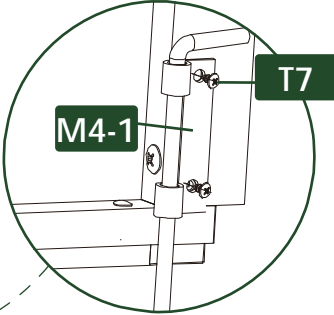
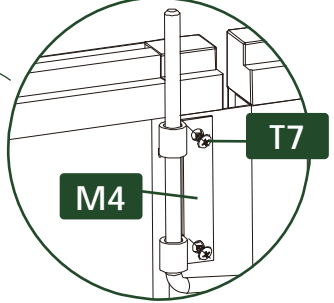
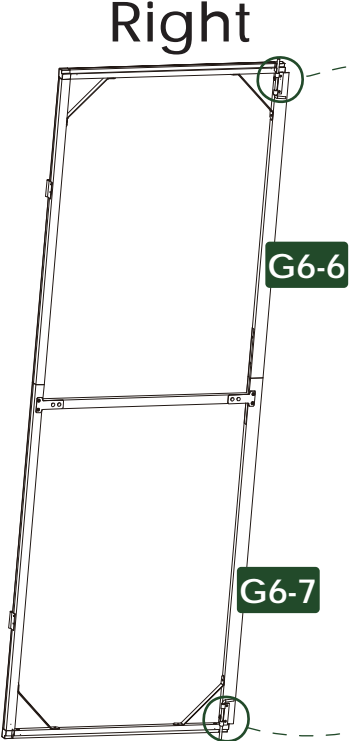
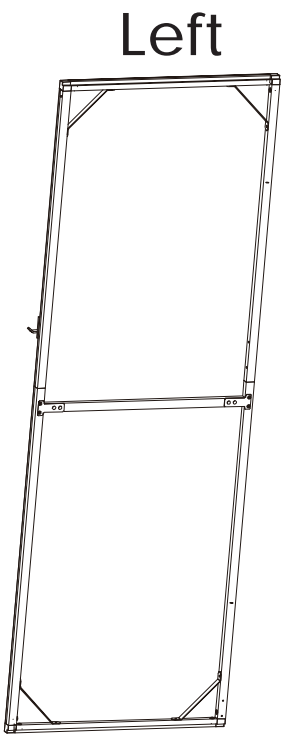
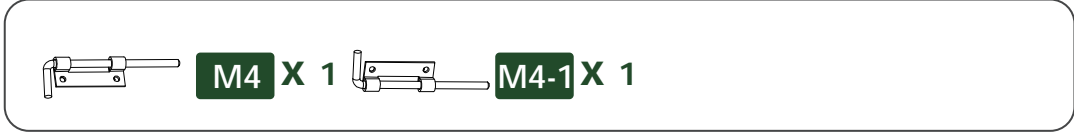
35 STEP



Note: The 'G6/G6-1/G6-2/G6-3/G6-6/G6-7/G6-8/G6-9' hole position is slightly inward. When installing an M9, apply force to make it secure.



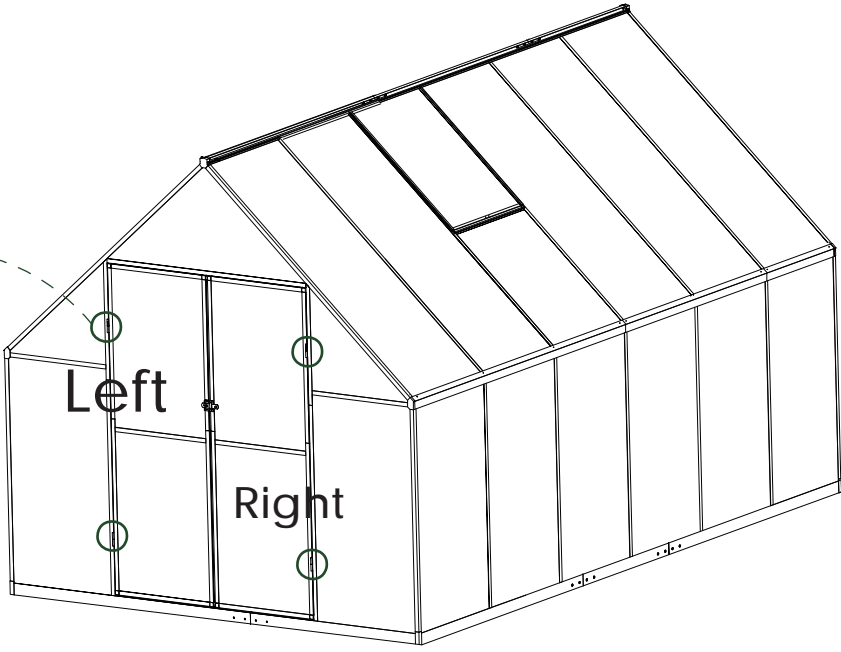
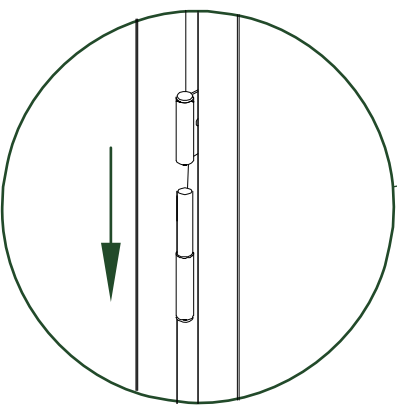
36
STEP



Reverse side

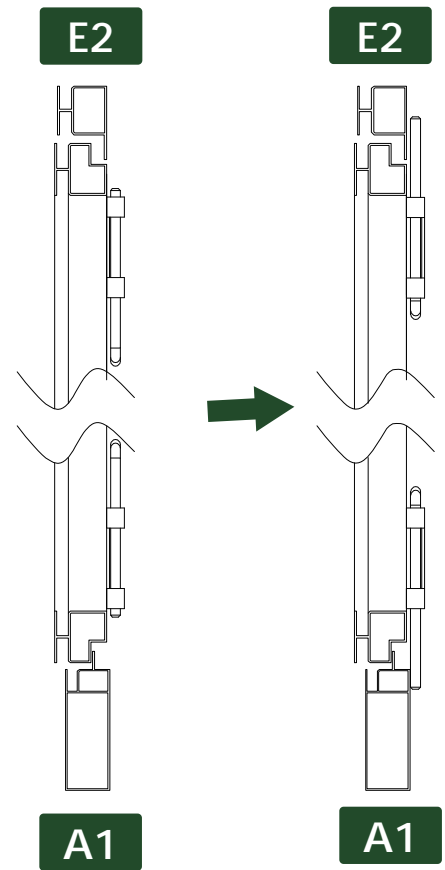
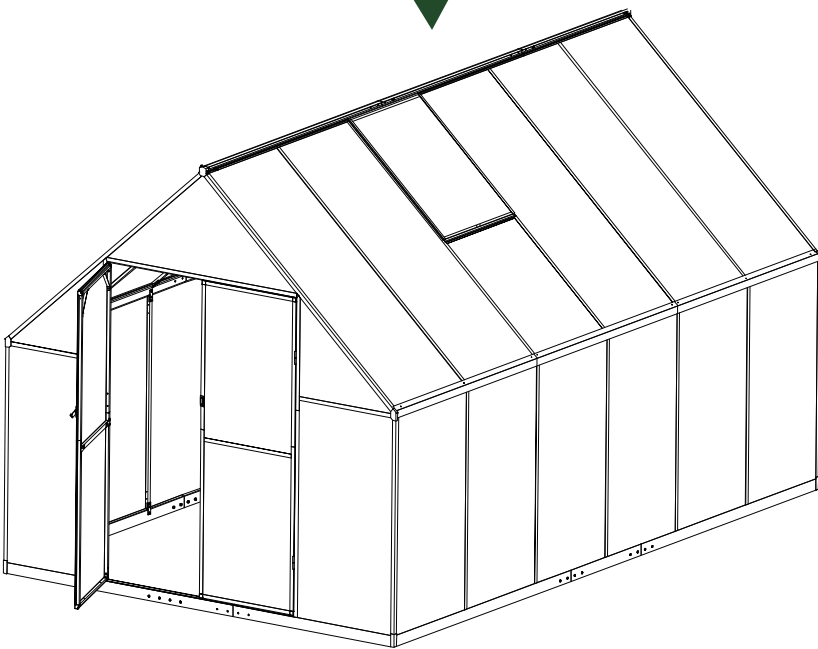
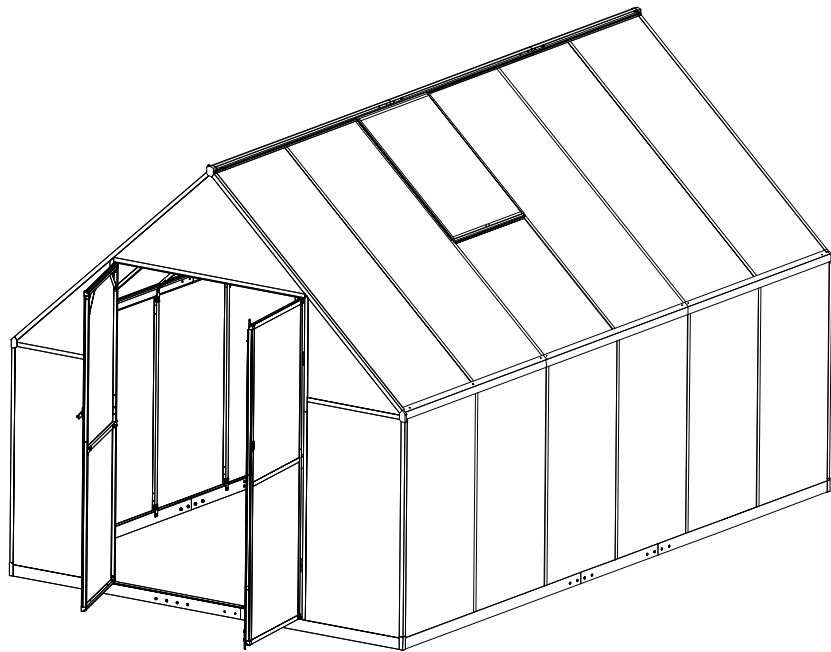


37
STEP



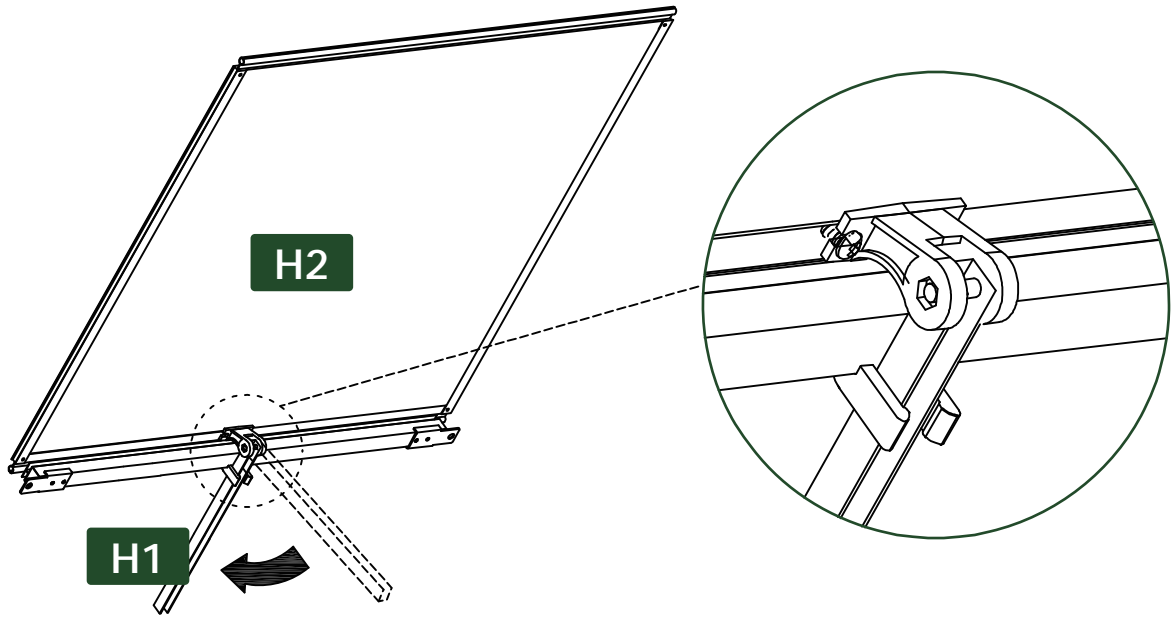
front

38
STEP

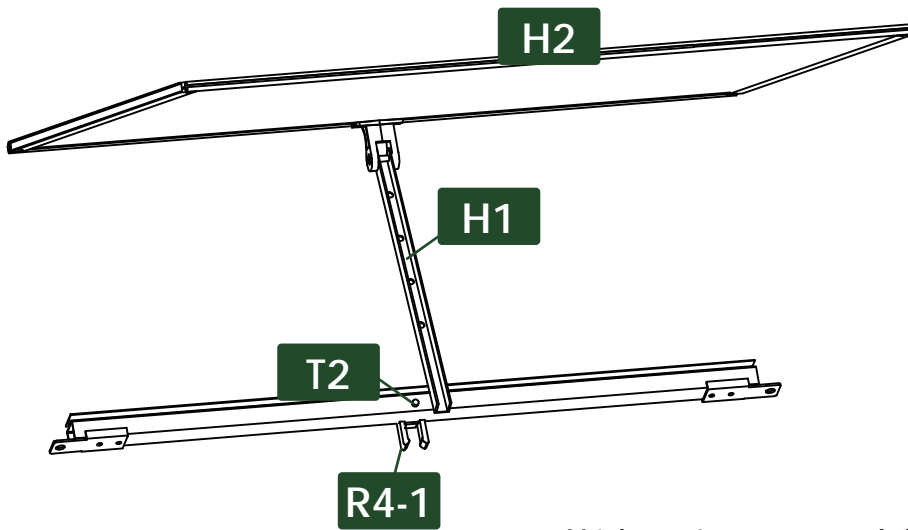


If you want to close a door, first pull the M4 and M4-1 handle backward, and then release the handle after the door is closed





Window closed state



H1 has 4 gears, and the exposed part of T2 can be engaged as needed.

Window open status

AFTER-SALE

AFTER-SALE SERVICE

If you have any suggestions or encounter quality issues with our products, please contact us first.

Our after-sales team will respond within 24 hours, and we will do our best to provide a solution until you are satisfied.

GUARANTEED CUSTOMER SERVICE

Your shopping experience is very important to us!

If you feel unsatisfied or have any questions,
just contact us!

If you want to share how wonderful our smart product makes your home, **just contact us** and share your pictures!

For further information,
just contact us!



 service@kmcglobe-us.com

 (USA) +1 213-816-4788