

ASSEMBLY INSTRUCTION

MODEL NO:

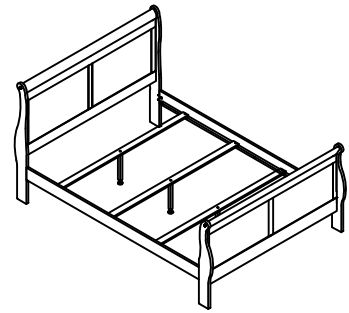
FOR HEADBOARD/FOOTBOARD

(BOX 1)
BOX OF HEADBOARD & FOOTBOARD

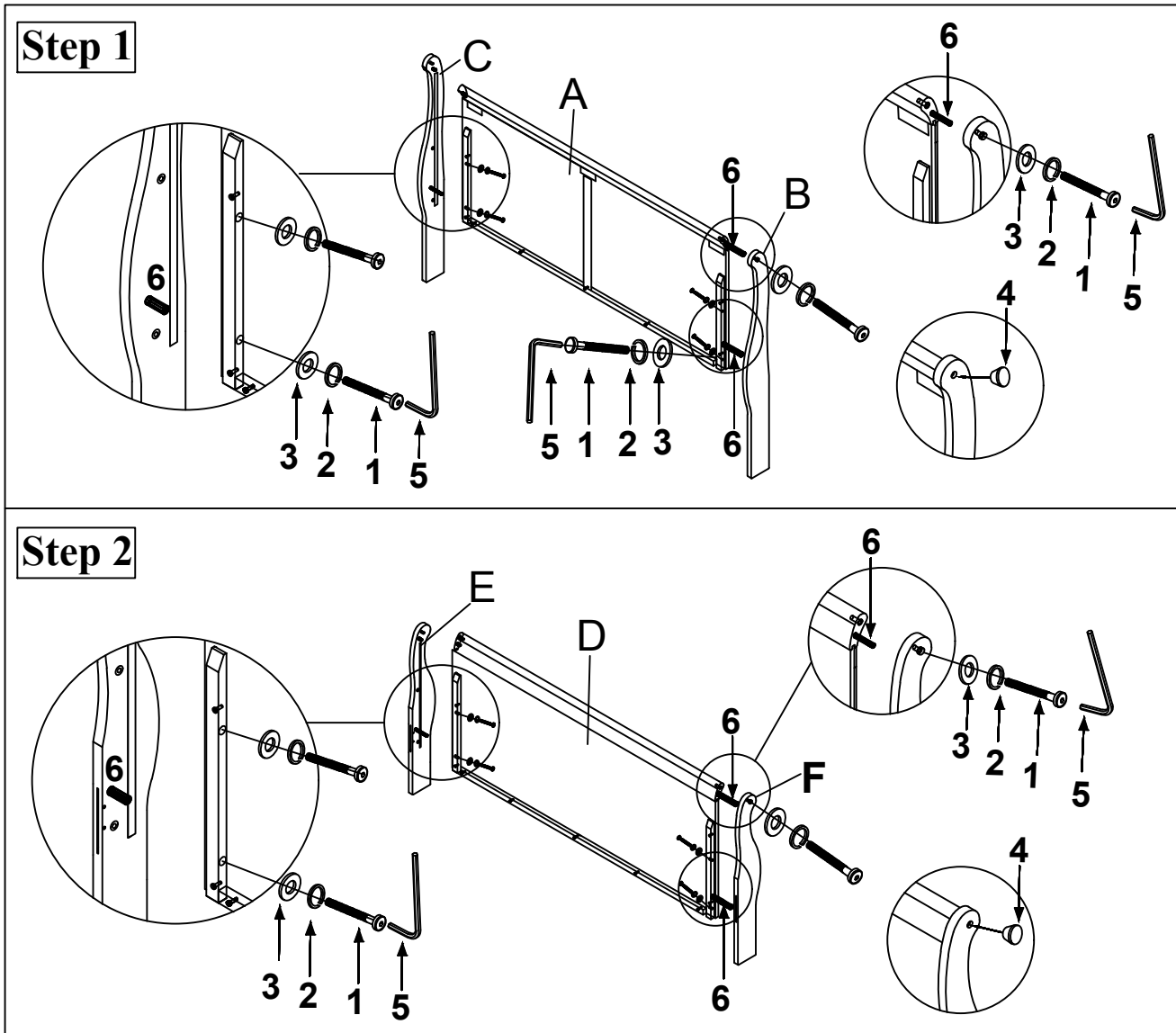
| ITEM | DRAWING | DESCRIPTION | Q'TY |
|------|---------|---------------------|------|
| A | | HEADBOARD PANEL | 1 |
| B | | LEFT HEADBOARD LEG | 1 |
| C | | RIGHT HEADBOARD LEG | 1 |
| D | | FOOTBOARD PANEL | 1 |
| E | | LEFT FOOTBOARD LEG | 1 |
| F | | RIGHT FOOTBOARD LEG | 1 |

(BOX 1)
HARDWARE LIST FOR STEP1 & STEP2

| ITEM | DRAWING | DESCRIPTION | Q'TY |
|------|---------|---------------|------|
| 1 | | BOLT | 12 |
| 2 | | SPRING WASHER | 12 |
| 3 | | FLAT WASHER | 12 |
| 4 | | WOOD PLUG | 4 |
| 5 | | ALLEN KEY | 1 |
| 6 | | WOOD DOWEL | 8 |



**COMPLETED TWIN BED
ASSEMBLY**



THE HARDWARE IS LOCATED IN THE PACKING ITEMS

NOTE: MUST TIGHTEN SCREWS PERIODICALLY WITH USE SCREWS MAY BECOME LOOSE.

CHECK TIGHTNESS OF ALL SCREWS EVERY 6-8 WEEKS.

CLEANING INSTRUCTION

After assembled, clean & polish the completed parts if necessary with soft cloth and industrial recognized furniture polish.

MADE IN VIETNAM