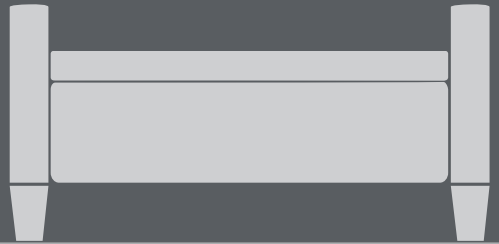


■ Ottoman

ASSEMBLY INSTRUCTION



SKU:9368C

Dear customer, Thank you very much for buying our items. Please read the assembly instruction carefully before assembly.

Notices:

- Verify that all parts are present and in good condition before assembly.
- Put the ottoman on a clean flat surface.
- Please tighten the screws to about 80% for the first step; Then, sit with caution on the ottoman to adjust the balance; Finally, tighten all the screws to 100%.
- If you find that is unlevel after assembly, you can use adjustable pegs to keep four legs level.

Contact us

If there are installation problems, damage, missing parts, or any questions and concerns, please contact the shop where you bought it so we can make things right.

If the product is damaged, please send the following information:

- Photos that show the reason for your claim/damage.
- Photos of the packaging (inside and outside).

Thank you very much for your support!

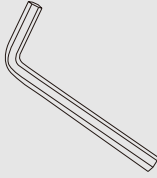
Package Contents

A × 6



Washer

C × 1



Spanner

D × 24



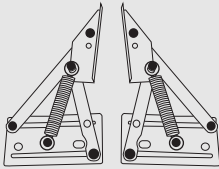
M6×20mm
Screw

E × 6



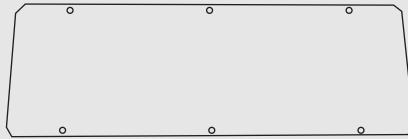
M6×25mm
Screw

Quantity × 2



Spring-loaded hand raise

Quantity × 1



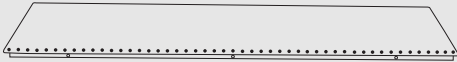
Base Plate

Quantity × 2



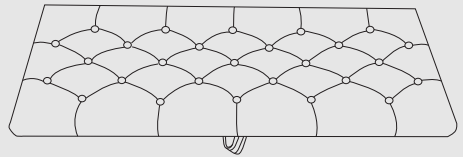
Armrest

Quantity × 2



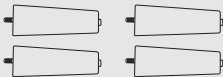
Long frame

Quantity × 1



Cover

Quantity × 4



Legs

Quantity × 4



Iron Sheet

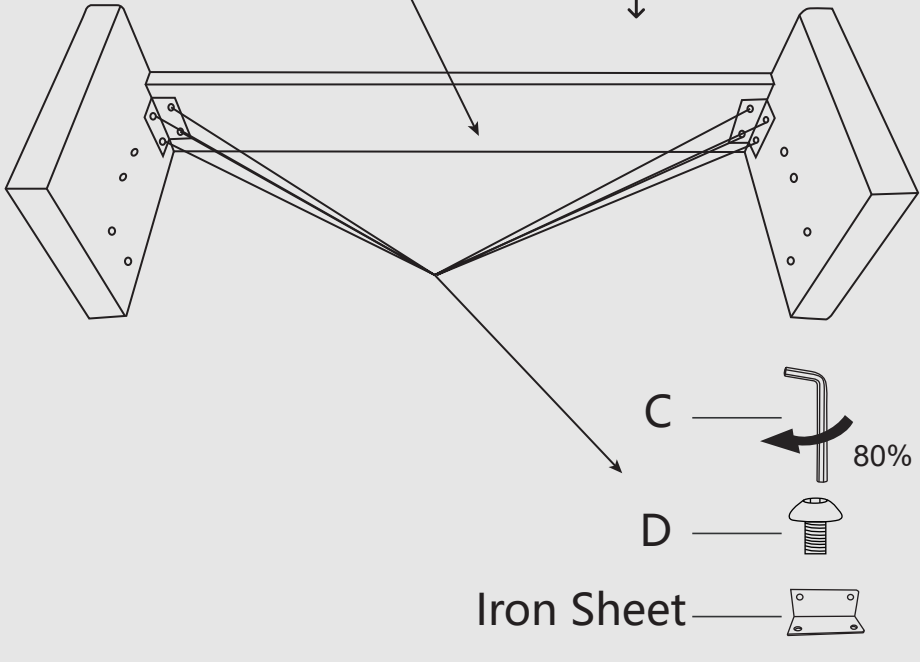
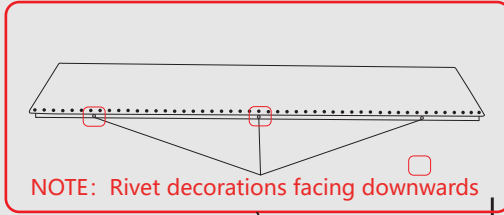
Quantity × 4



Gasket

Step by Step Guide

1

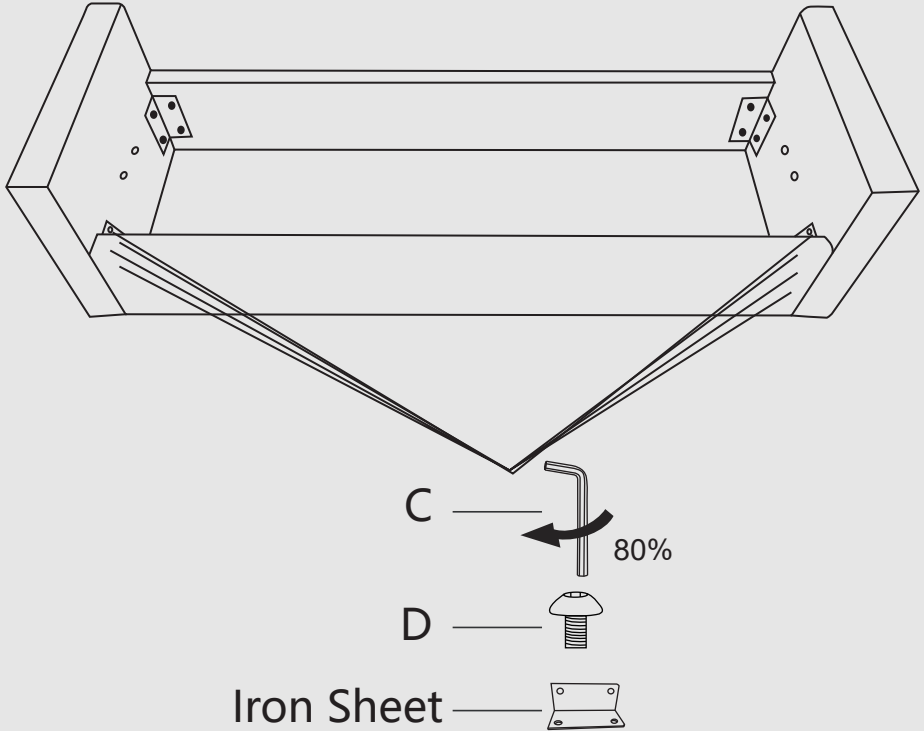


Locate the two armrests and one of the long frames. Use screws (D) to align the corner holes of the metal plate with the corner holes of the long frame and the armrest, and tighten all four screws simultaneously.

Just tighten them up to 60-80%.

Step by Step Guide

2

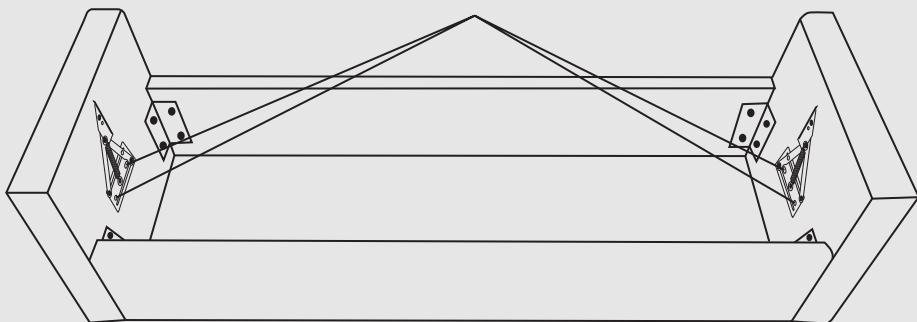
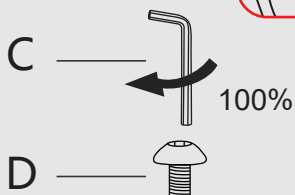
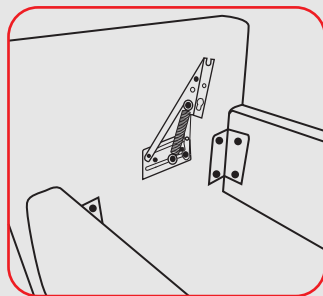


Repeat the steps from the first step to complete the installation of the other long frame as well.

Just tighten them up to 60-80%.

Step by Step Guide

3

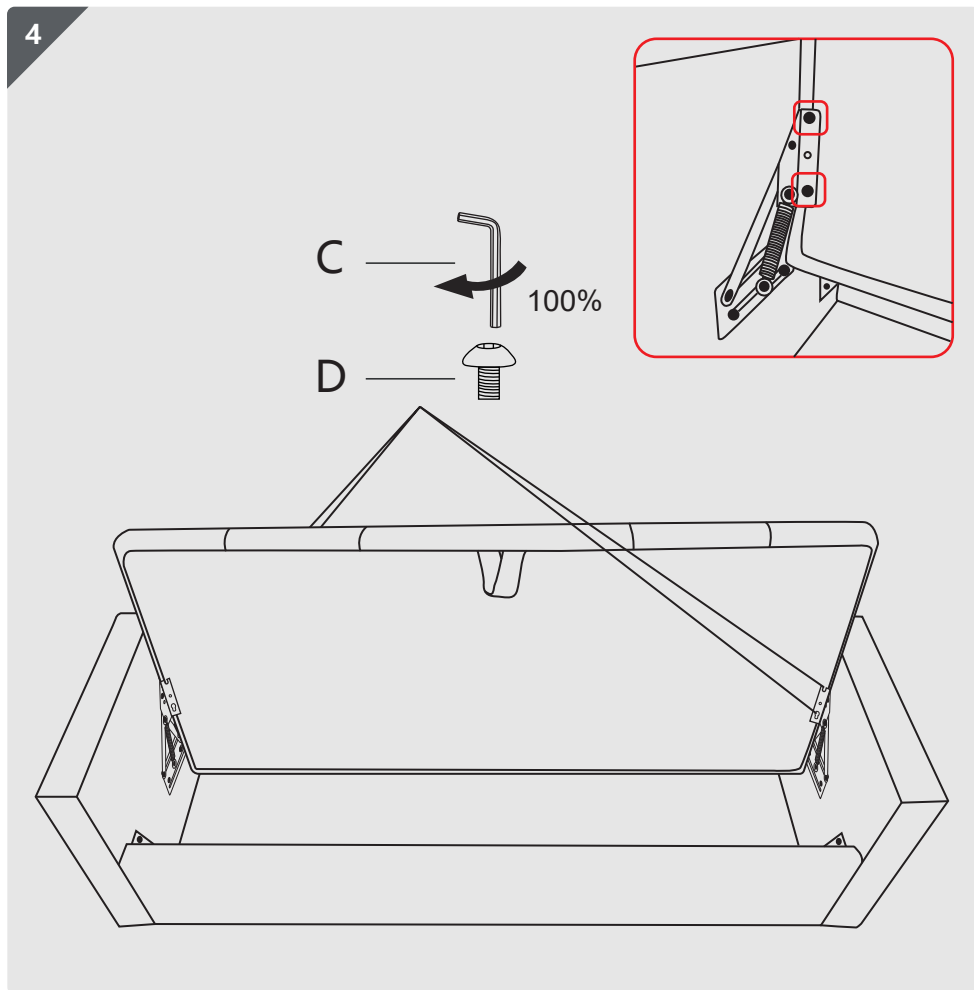


Align the corner holes of the armrest with the corner holes of the spring-loaded arm using screws (D). Tighten the two screws.

Repeat this step on the other side.
Tighten them to 100% .

Step by Step Guide

4

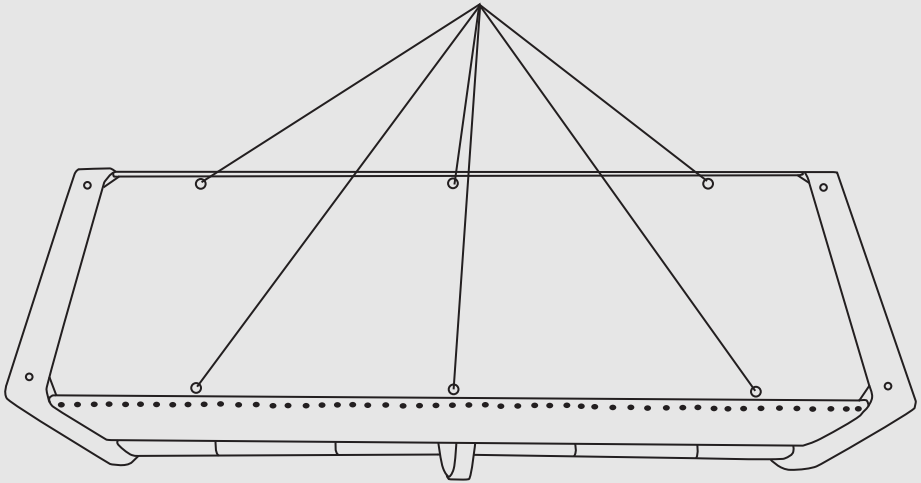
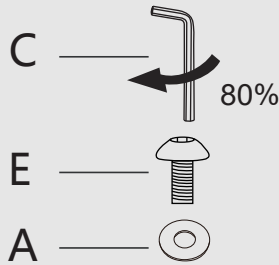


Align the corner holes of the spring-loaded arm with the corner holes of the cover using screws (D), and tighten the two screws.

Repeat this step on the other side.
Tighten them to 100% .

Step by Step Guide

5



Turn the entire product upside down on the ground and locate the base plate . Use screws (E) with flat washers (A) to align with the corner holes of the base plate.

Tighten them to about 60-80%.

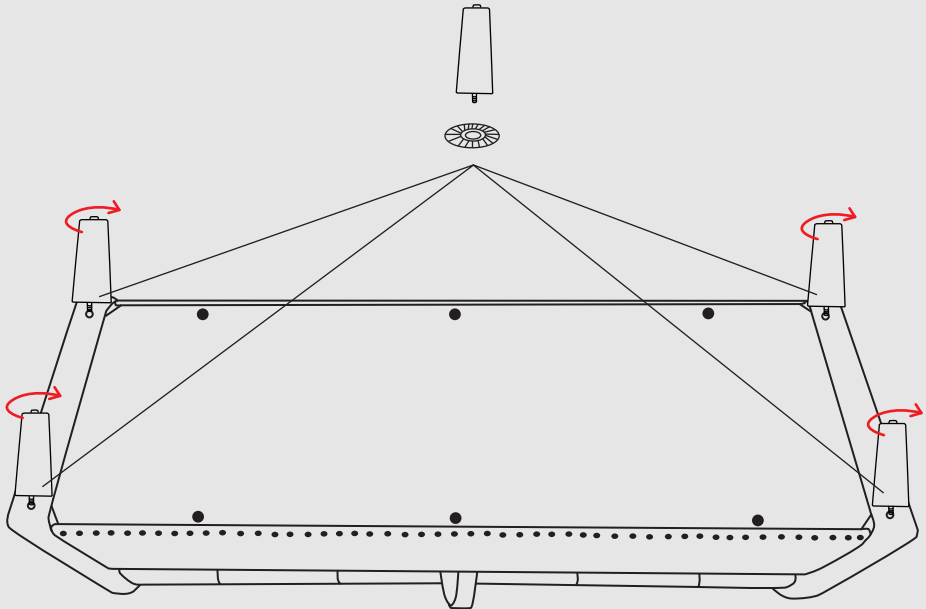
Step by Step Guide

6

Legs —



Gasket —

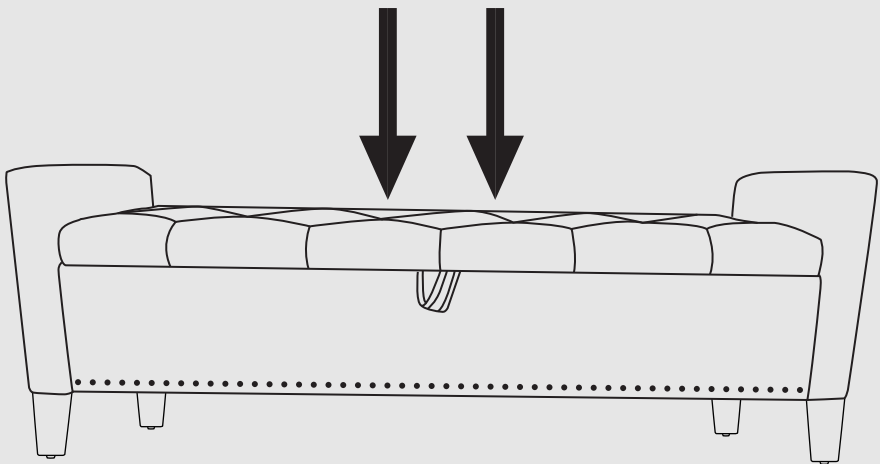
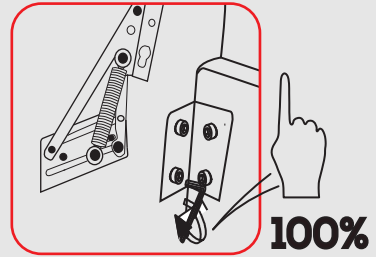


Install the four legs. Use Gasket to align with the corner holes at the bottom of the handrail.

Tighten them to 100%.

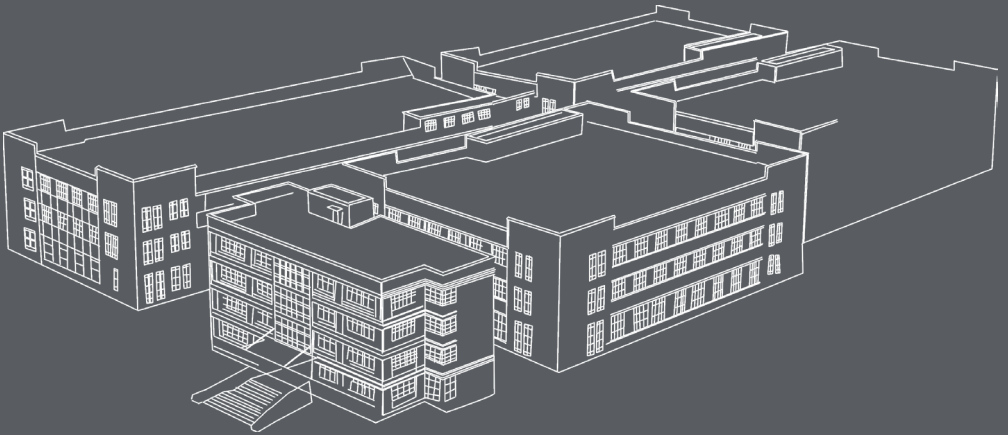
Step by Step Guide

7



After completing the above steps, please sit on the footrest and check if it is stable. Adjust as needed.

Finally, please ensure all screws are tightened to 100%.



About us

We are a professional manufactory for making and selling dining chairs. In the past 15 years, we have exported millions of chairs to Europe and USA.

We focus on providing you with high-quality products that meet international standards. To ensure timely shipping, we have built large warehouses in California, New York, and Georgia.

Contact us

The fastest way to get more information about the deals!

Email: support@pekkohome.com