

ASSEMBLY INSTRUCTION

A Table Top



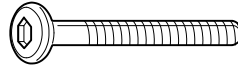
1 pc

B Table Leg



4 pcs

C Jcbb Bolt
M8 x 80mm



8 pcs

D Spring Washer
M8



8 pcs

E Flat Washer
M8 x 22mm



8 pcs

F Allen Key
M8



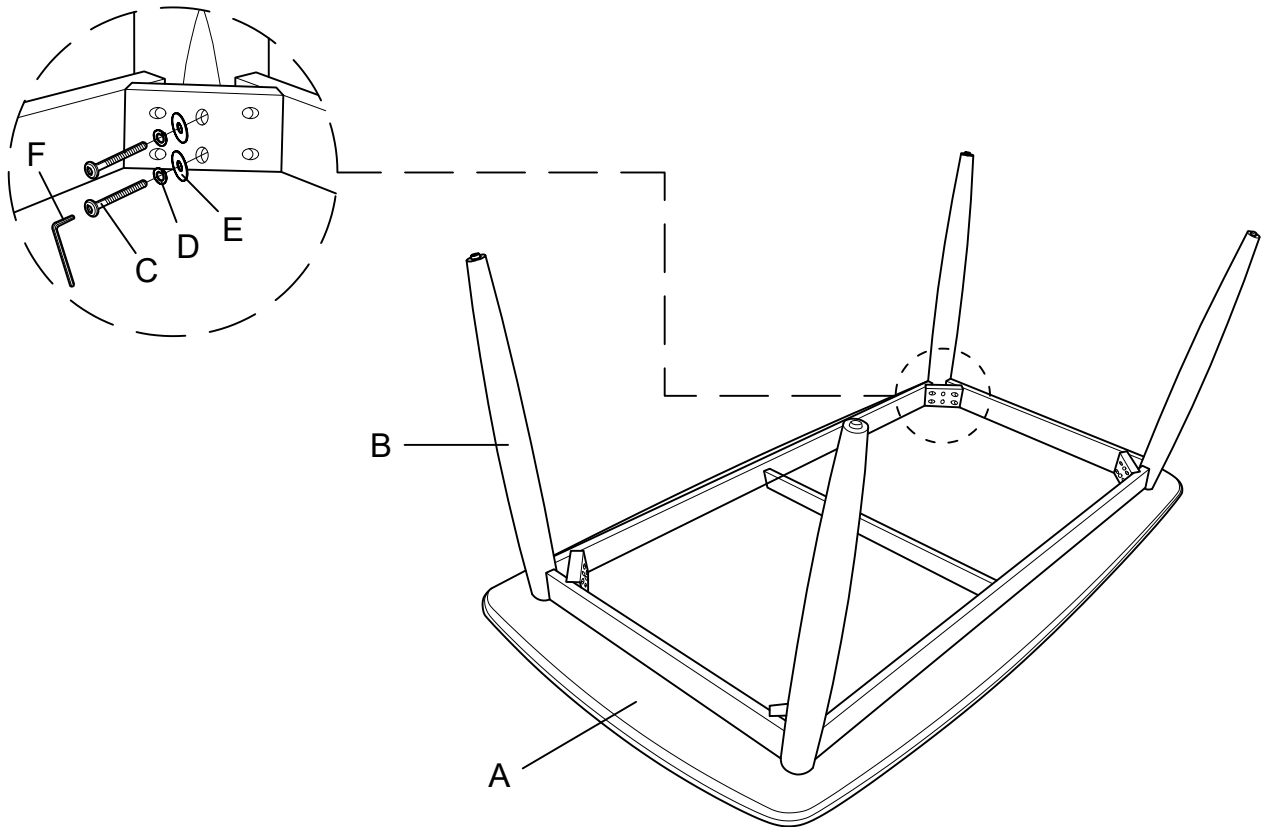
1 pc



This page lists all the contents included in the box. Please take the time to identify the hardware as well as the individual components to this product. As you unpack and prepare for assembly, place the contents on a carpeted or padded area to protect them from damage.

1

Put the Table Top (A) upside down on the soft and smooth surface. Attach Table Leg (B) onto Table Top (A). Then insert Jcbb Bolt (C), Spring Washer (D) and Flat Washer (E) into holes of each corner block of Table Top (A) by using Allen Key (F). Do not fully tighten the bolts in this step.



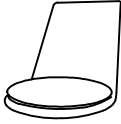
Stand table up on an even surface and check that it is balanced. If there is a slight wobble, apply downward pressure in the corner where a leg is uneven. Keeping pressure in that corner, tighten all bolts. If balanced, apply downward pressure evenly in the center and tighten all bolts. Do not over-tighten beyond hole depth.

Cleaning & Care

Treat surface with care. Surface is resistant to scratches but is not scratch resistant. Clean surface with a dry or damp soft cloth. Do not use abrasive cleaners. Hardware may loosen over time. Periodically check that all connections are tight.

ASSEMBLY INSTRUCTION

A Chair Seat



1 PC

B Leg



2 PCS

C Bolt
5/16" x 1-1/4"



4 PCS

D Spring Washer
5/16"



4 PCS

E Flat Washer
5/16"

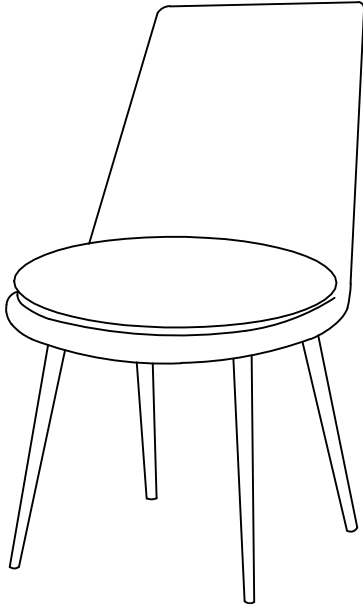


4 PCS

F Allen Key
M5

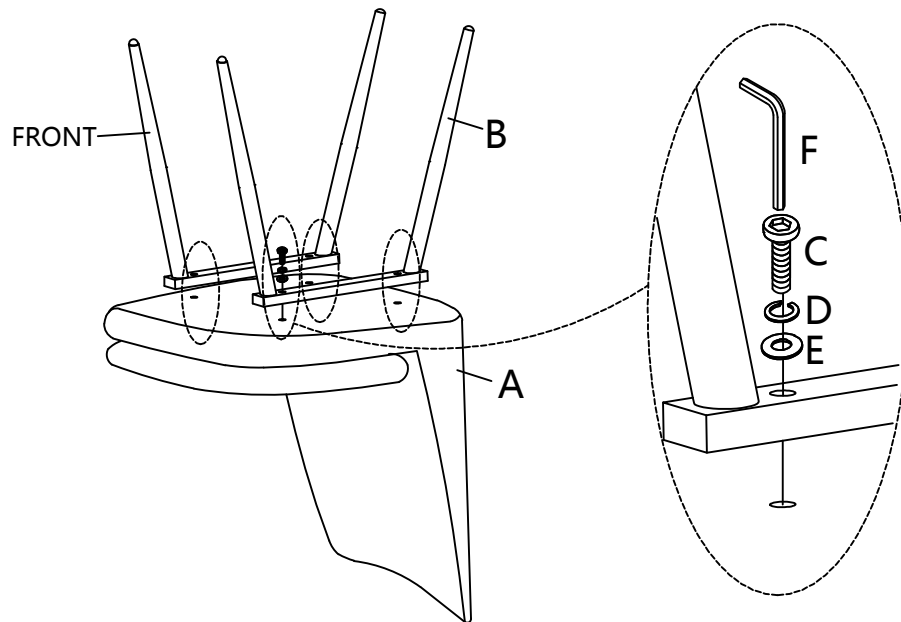


1 PC

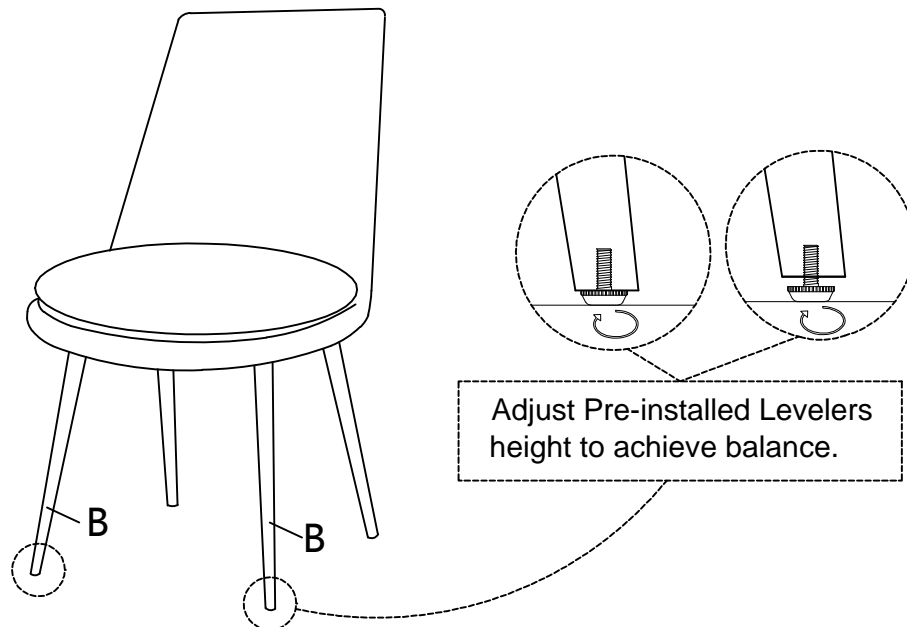


This page lists all the contents included in the box. Please take the time to identify the hardware as well as the individual components to this product. As you unpack and prepare for assembly, place the contents on a carpeted or padded area to protect them from damage.

- 1** Attach Leg (B) to bottom of the Chair Seat (A) using Bolt (C), Spring Washer (D), Flat Washer (E) with Allen Key (F).



- 2** With assistance from your adult partners, turn the Dining Chair right way up. Adjust the pre-installed levelers on the bottom of Front Leg (B) until the Dining Chair is level with the ground.



Cleaning & Care

Treat surface with care. Surface is resistant to scratches but is not scratch resistant. Clean surfaces with a dry or damp soft cloth. Do not use abrasive cleaners. Hardware may loosen over time. Periodically check that all connections are tight.