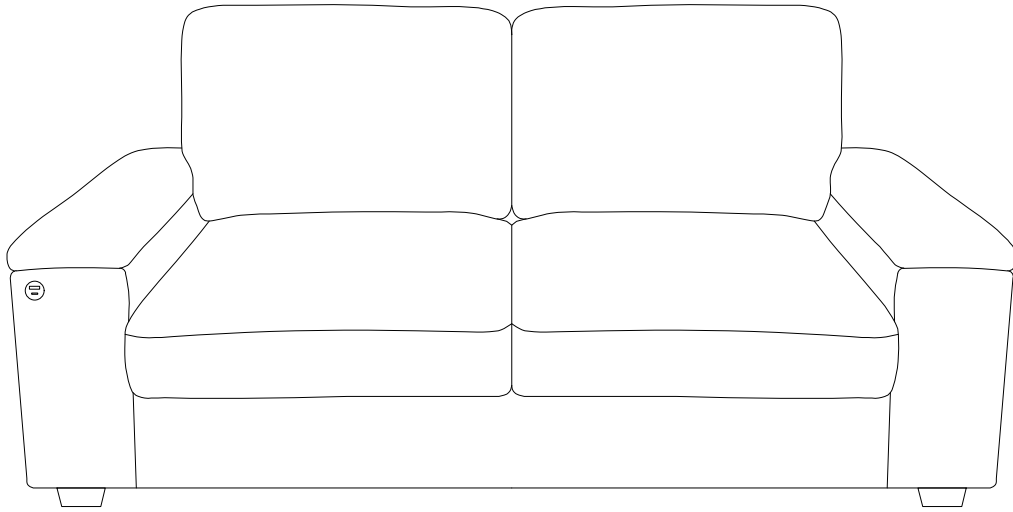


# INSTRUCTIONS



## PARTS LIST



a=4pcs  
M8\*90



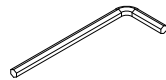
b=20pcs  
M8\*20



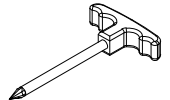
c=2pcs  
M5\*25



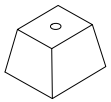
d=24pcs  
M8\*18



e=1pc  
5MM



f=1pc



A=4pcs



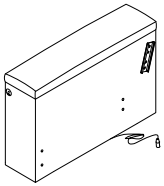
B=4pcs



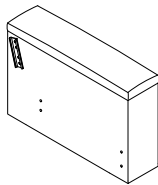
C=2pcs



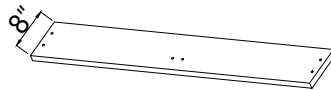
D=1pc



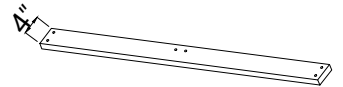
E=1pc



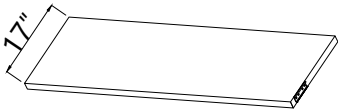
F=1pc



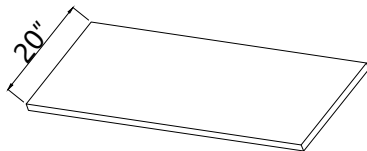
G=1pc



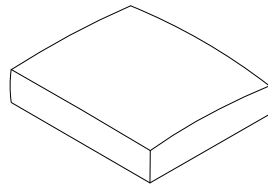
H=1pc



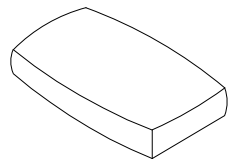
I=1pc



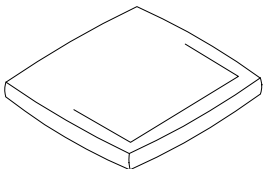
J=1pc



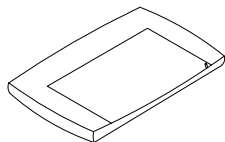
K=2pcs



L=2pcs

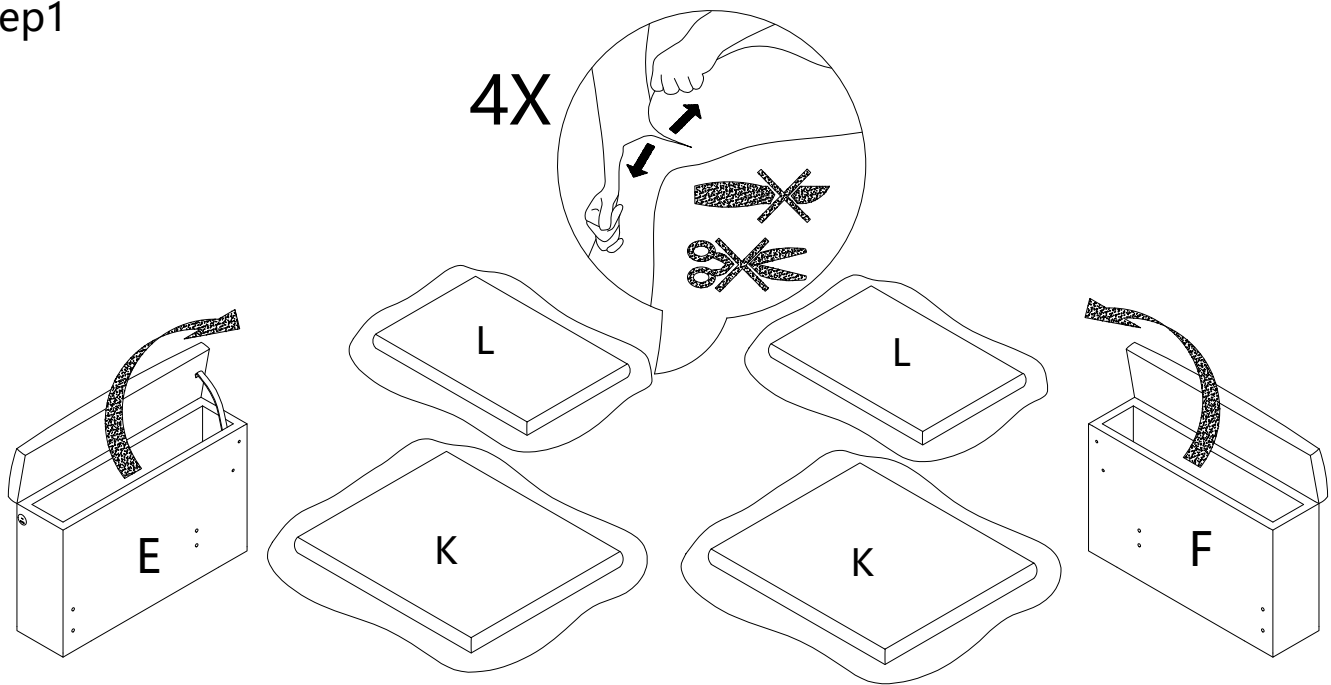


M=2pcs

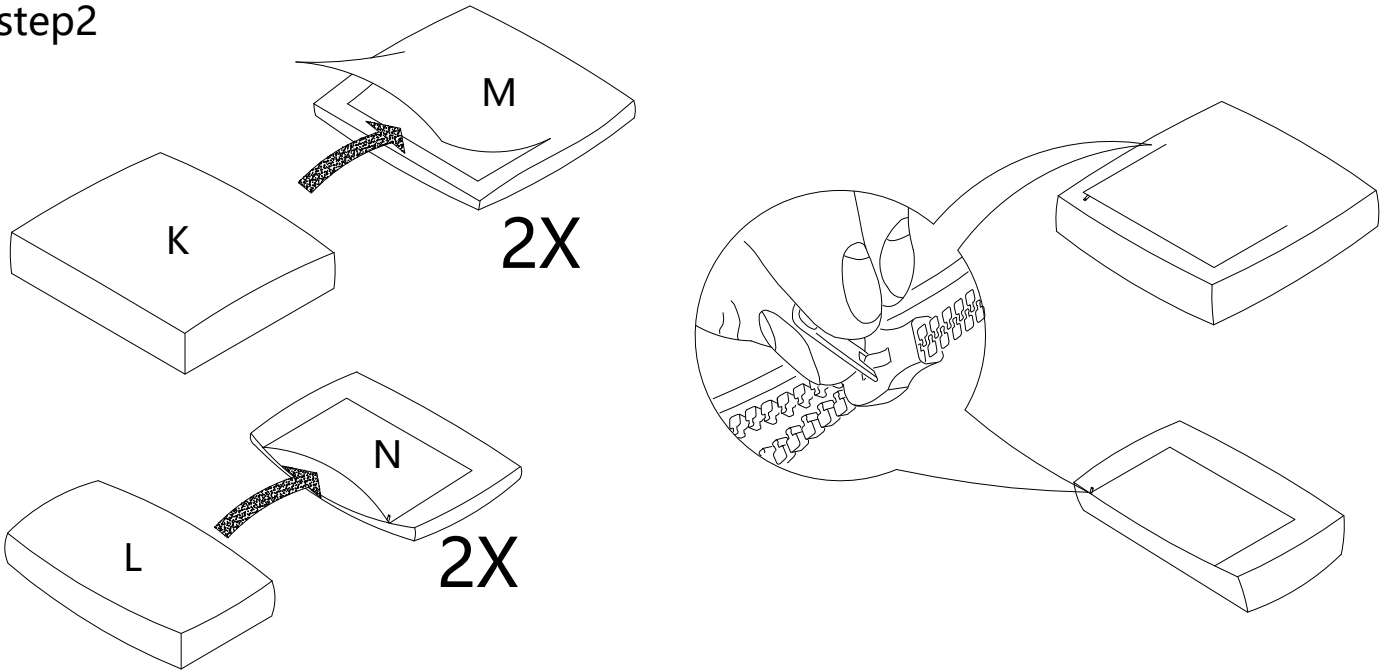


N=2pcs

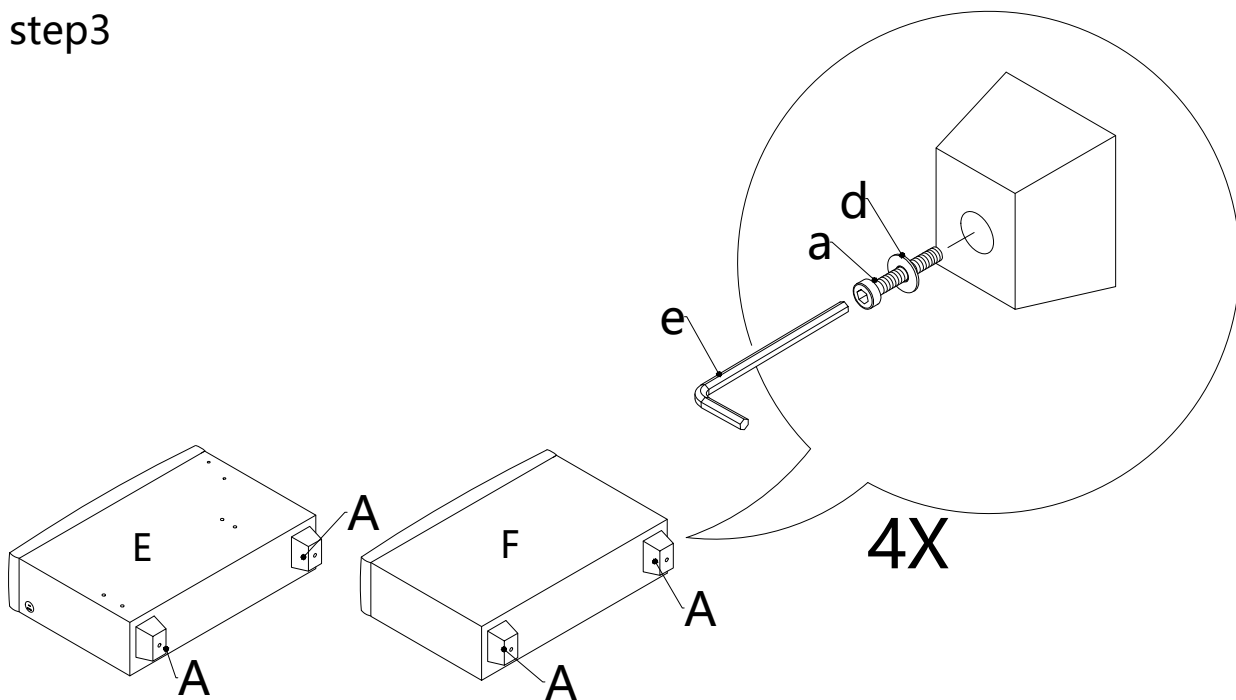
step1



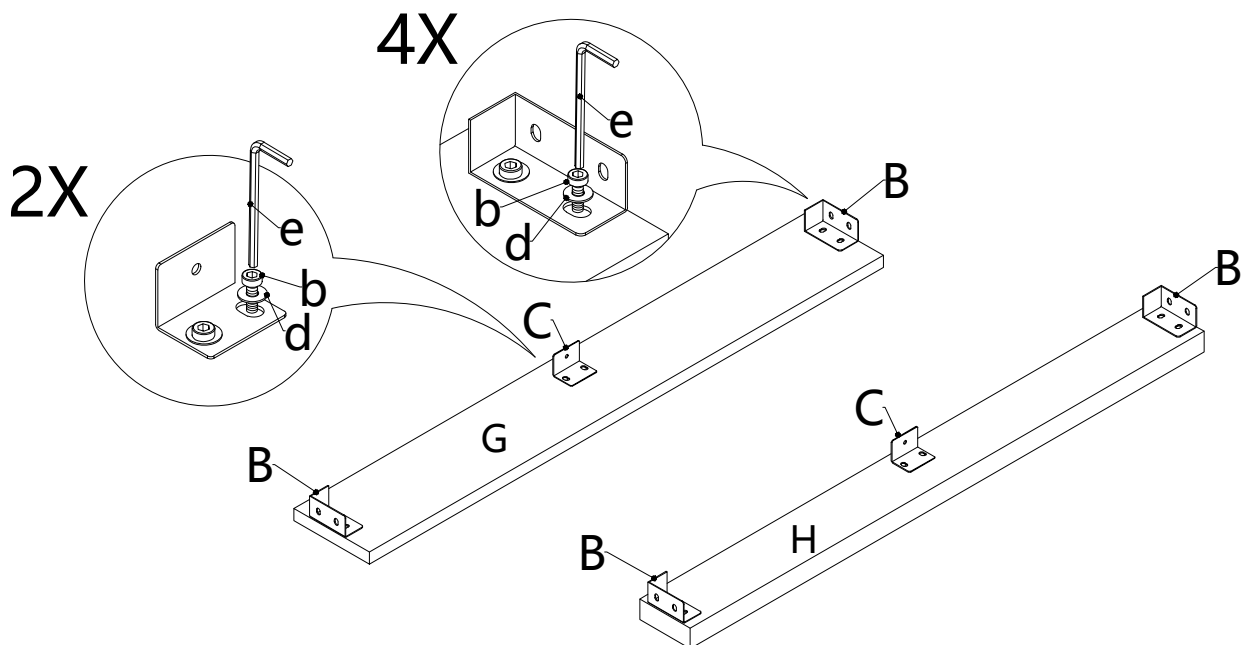
step2



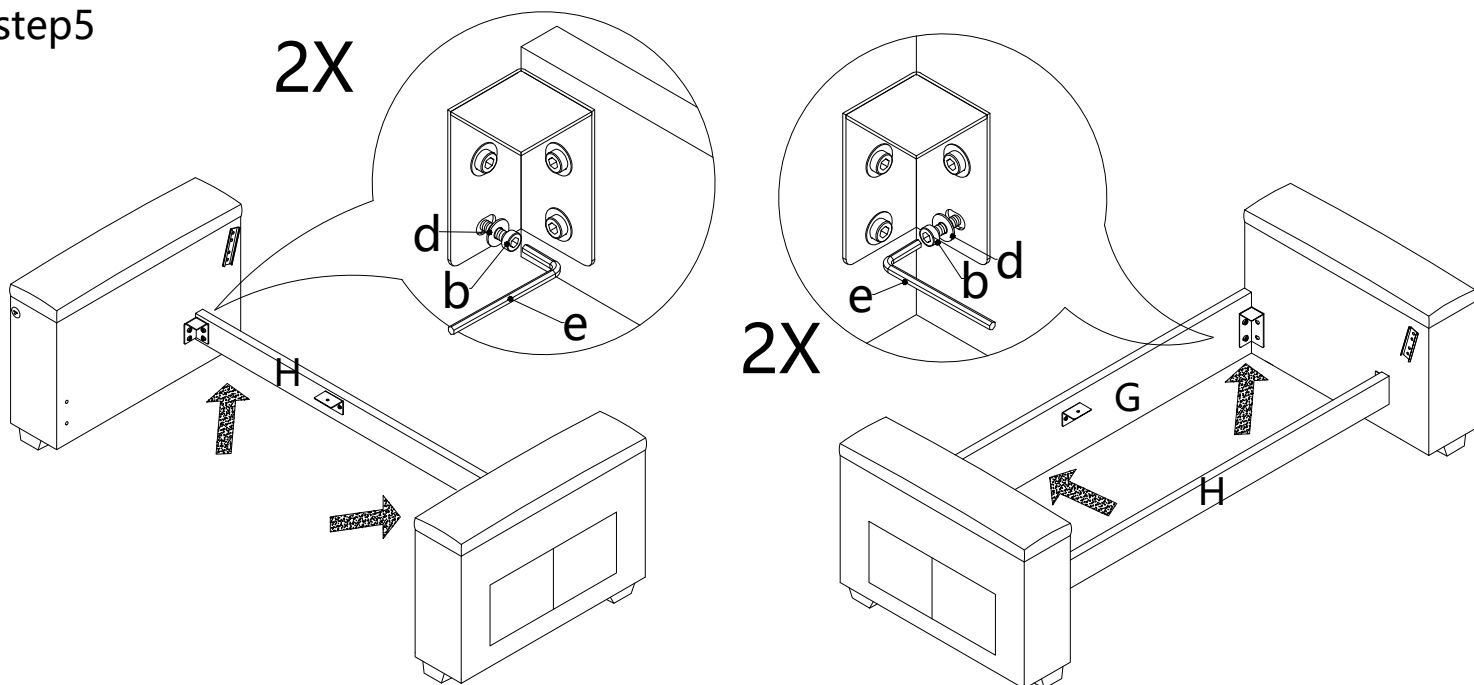
step3



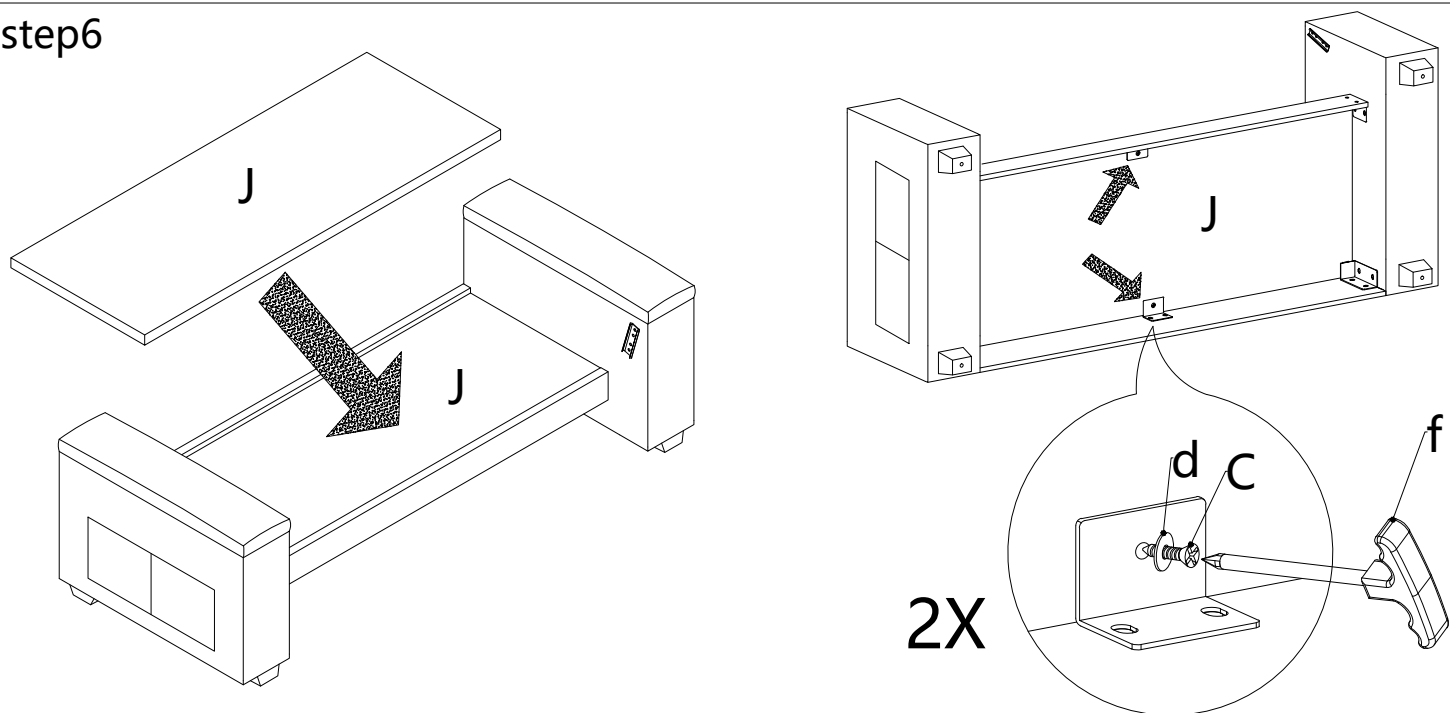
step4



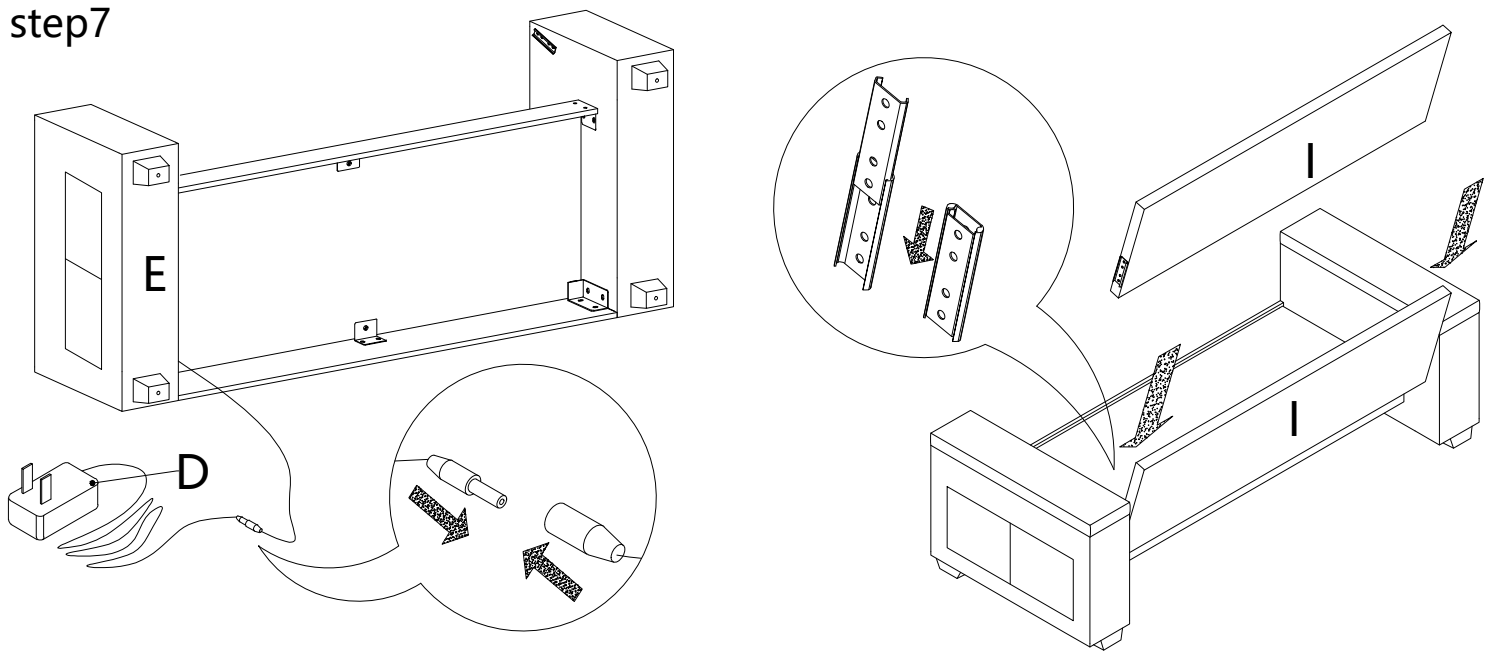
step5



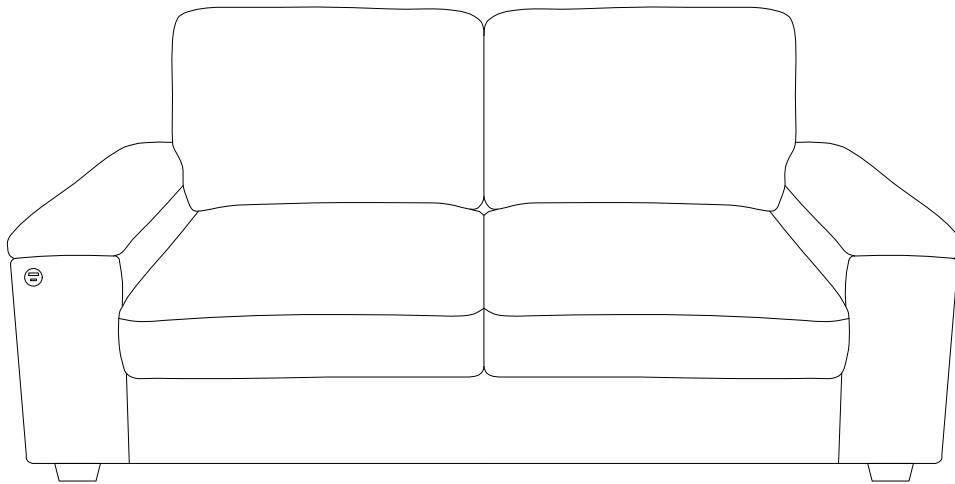
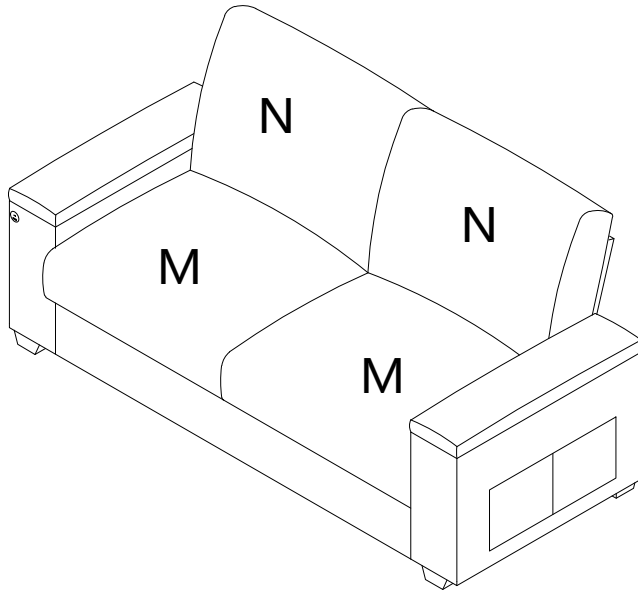
step6



## step7



## step8



### WARM TIP

1. Compressed back cushion and seat cushion should be recovered 72 hours after opening.
2. Avoid scratching, please open compressed cushion by hand, do not use scissor and knife.