

# Large Cold Frame

IMPORTANT, RETAIN FOR FUTURE REFERENCE: READ CAREFULLY.

Check all parts are present prior to assembly.

- Always pre-drill timber to avoid splitting.
- The timber in this product is pressure treated to ensure longevity and protection against rot. This may leave a colour variations, but these will even out as the moisture content stabilises.
- Timber is a natural material and will shrink and swell as a result of varying moisture content.
- Keep all plastic bags and parts away from children.

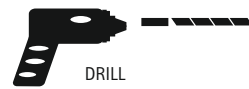
In line with your statutory rights, please check all parts prior to assembly, as assembly of damaged parts may be deemed to be acceptance and this may affect the remedies you are entitled to. If the product is not constructed in accordance with the instructions, or is altered in anyway (e.g. painted), the manufacturer cannot be held liable for any resulting damage.

This article contains biocidal products to give protection against wood destroying insects & wood rotting fungi. Contents may vary.

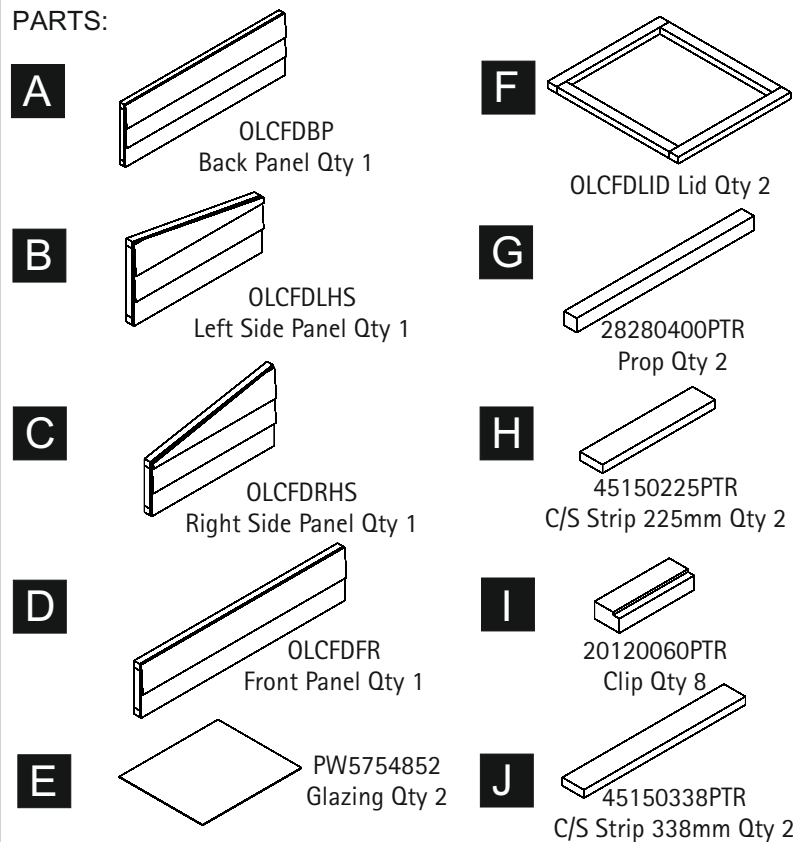
May contain : Basic copper carbonate (Copper (II) carbonate – Copper (II) hydroxide (1:1), Cupric oxide, Copper hydroxide carbonate, oxyethyl, ammoniumpropionate, Copper HDO, Propiconazole, Tebuconazole, Boric acid, Benzalkonium chloride.

Wear gloves when handling freshly treated wood. Avoid breathing dust when cutting treated or untreated wood. Dispose of off-cuts responsibly – do not burn.

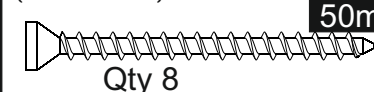
## REQUIRED TOOLS : (NOT SUPPLIED)



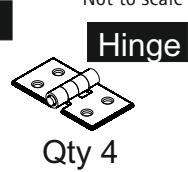
## PARTS:



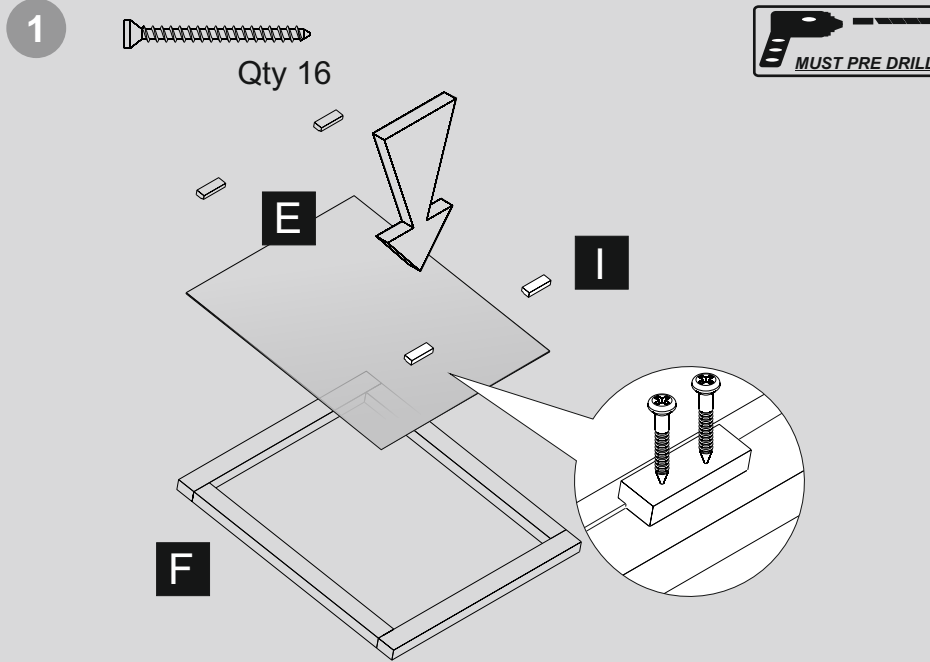
(FIXING PACK) OLCDFDP



Not to scale

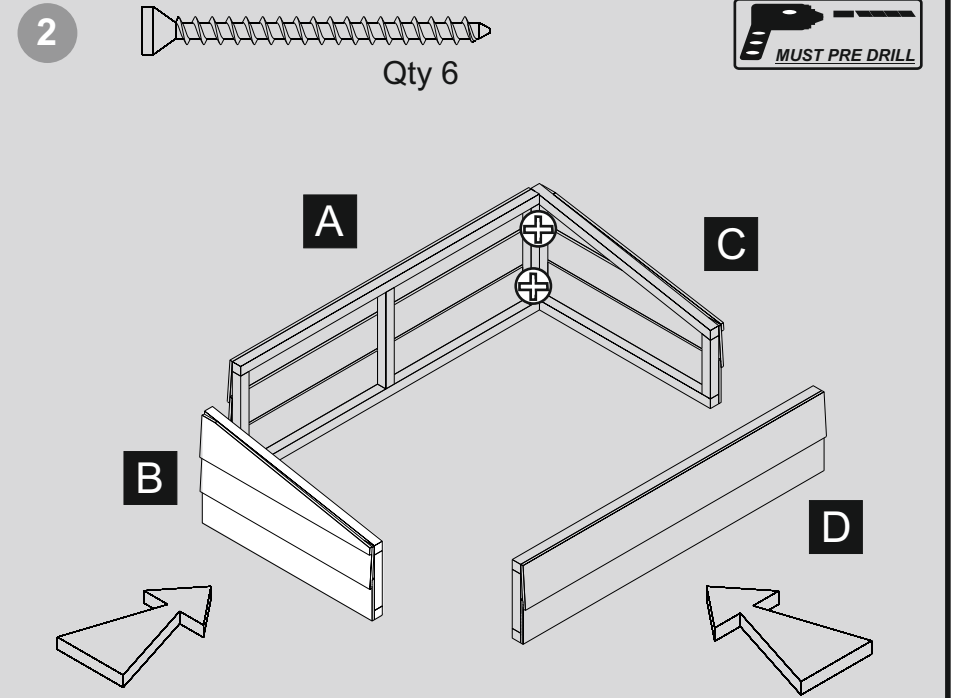


For further information



Place the glazing on to the frame and secure in place using four of the clips.

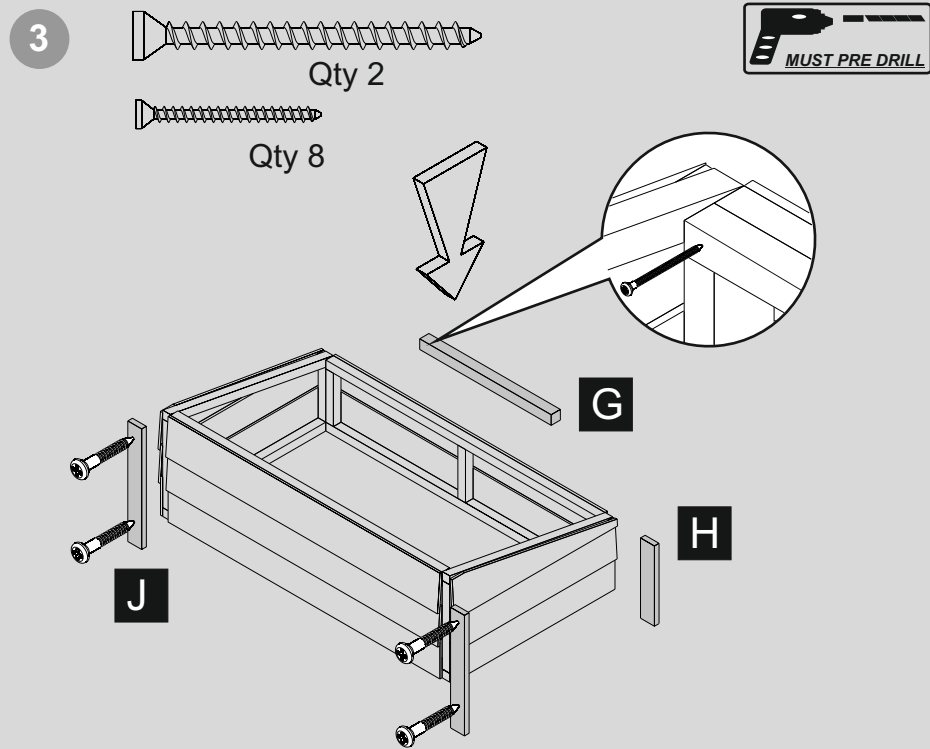
Fix each clip in place using 2x25mm screw.



Place the sides against the out side of the back panel.

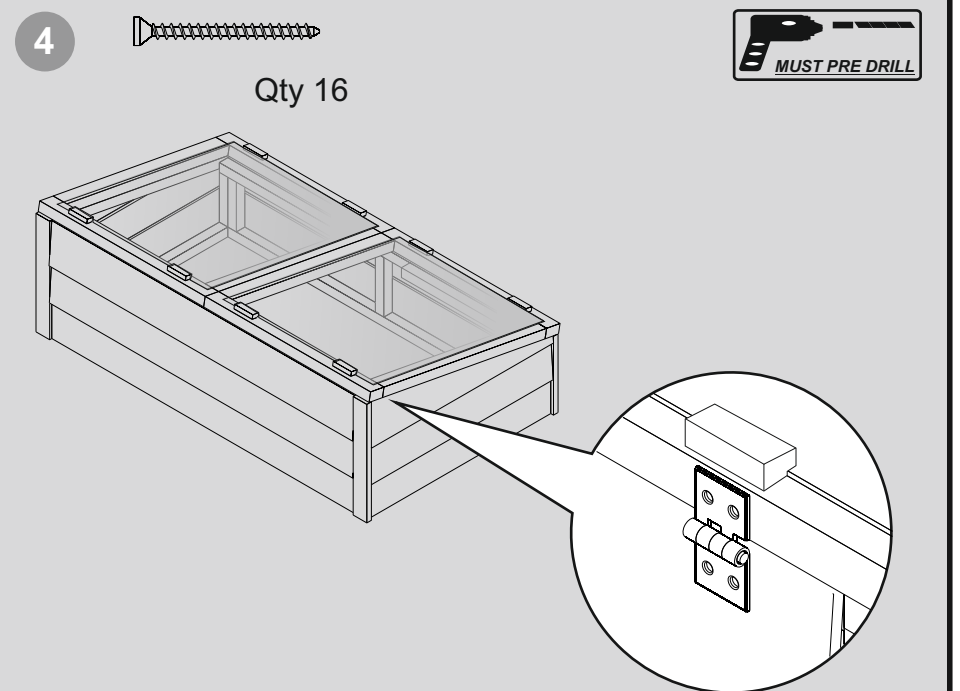
Fix using 2x50mm screw for each join.

Repeat for the front panel using 1x50mm screw for each join.



Place corner strips against the outside edges so the joints are covered. Fix using 2x25mm screws for each strip.

Position the props against the inside of the front panel. Fix in one end using a 50mm screw for each.



Fix the larger section of the hinge to the back panel and the smaller section to the back of the lid.

Fix using 4x25mm screws for each hinge.

Make sure the screws locate into the framing on the back panel