

# Installation & Assembly

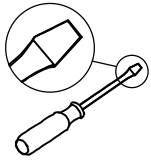


---

As this item contains many parts, please read the installation instruction carefully before installation and complete the installation with the cooperation of your partner. Please use tools properly and carefully. If you have any questions about the product and installation, please contact us.

Our professional after-sales team will serve you online all day.

# Before You Start



Read through each step carefully and follow the proper order



Separate and count all your parts and hardware



Give yourself enough room for the assembly process



Have the following tools: Flat Head Screwdriver, #2 Phillips Head Screwdriver and Hammer

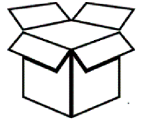


Do not use power tools to assemble your furniture. Power tools may strip or damage the parts.

# Helpful Hints

## PEOPLE NEEDED FOR ASSEMBLY: 1-2

- Open your item in the area you plan to keep it to avoid excessive heavy lifting.



- Identify, sort and count the parts before attempting assembly.

- Compression dowels are lightly tapped in with a hammer.



- Slides are labeled with an **R** (right) and **L** (left) for proper placement.



- Make sure to always face the point on the top of the Cam Lock towards the outer edge.

- If there is a back panel in the package, please install it to make sure your unit is complete and sturdy.



- Please fix all the screws provided for the back panel which can enhance product stability. If it is difficult to fix it when tightening, it can be fixed with the help of a hammer and then tightened.




- Do NOT use harsh chemicals or abrasive cleaners on this item.



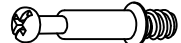
- Never push, pull, or drag your furniture.

# Part List


Not actual size

	
Ø12X9.5mm	
(A)	X26

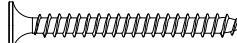
CAM LOCK  
spare:2

	
M6*27.5mm	
(B)	X26


CAM BOLT  
spare:2

	
Ø8X30mm	
(C)	X26

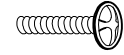
WOODEN DOWEL  
spare:2

	
Ø3.9X35mm	
(D)	X20


SCREW  
spare:3

	
Ø10X2mm	
(E)	X6

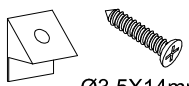
CRASH PAD  
spare:1

	
M4X20mm	
(F)	X6


BOLT  
spare:1

	
M6X25mm	
(G)	X3


BOLT

	
Ø3.5X14mm	
(H)	X8


PLASTIC WEDGE  
spare:1

	
35X35X3mm	
(I)	X4

FOOTPADS

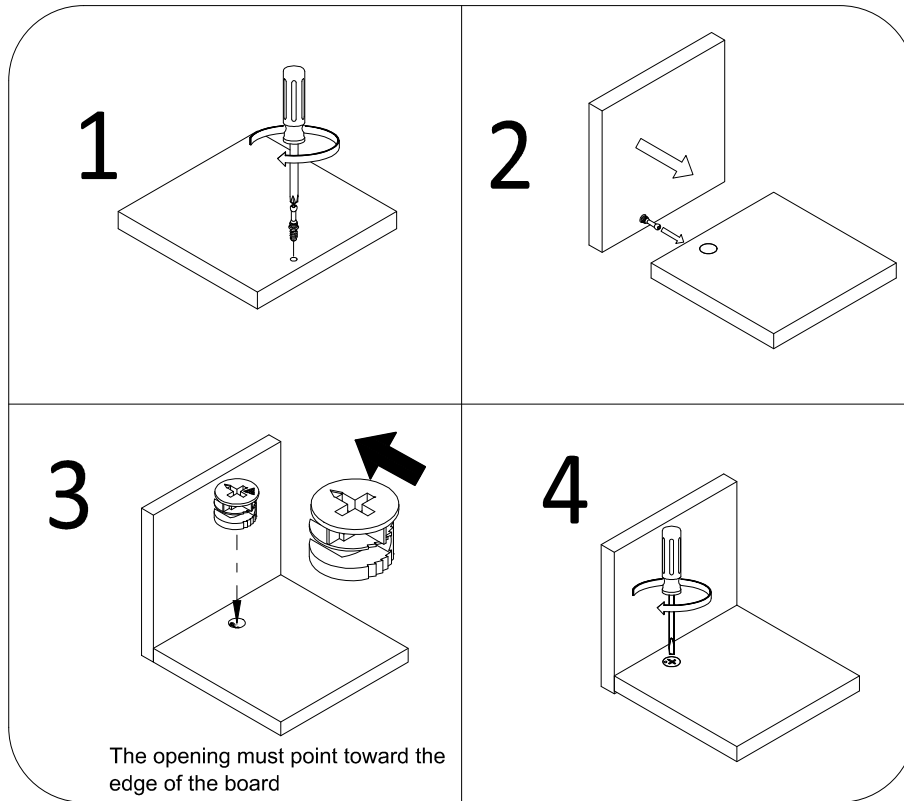
	
(J)	X6

HANDLE

				
(a)	(b)	(c)	(d)	(e)
(R)			X1	

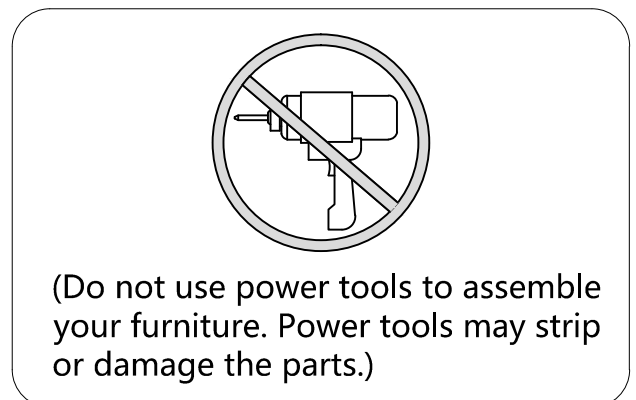
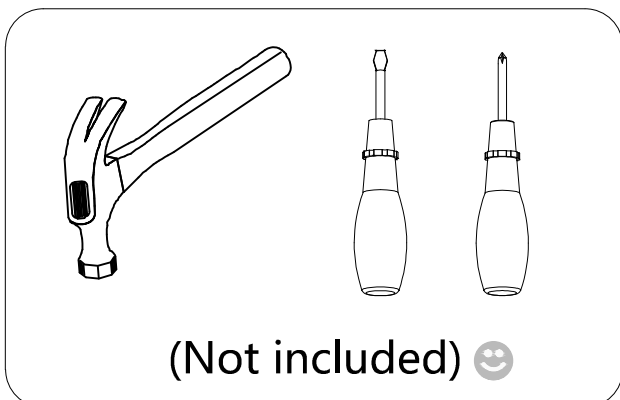
Tipping restraint hardware kit(inside plastic bag)

# Cam Lock Fastening System



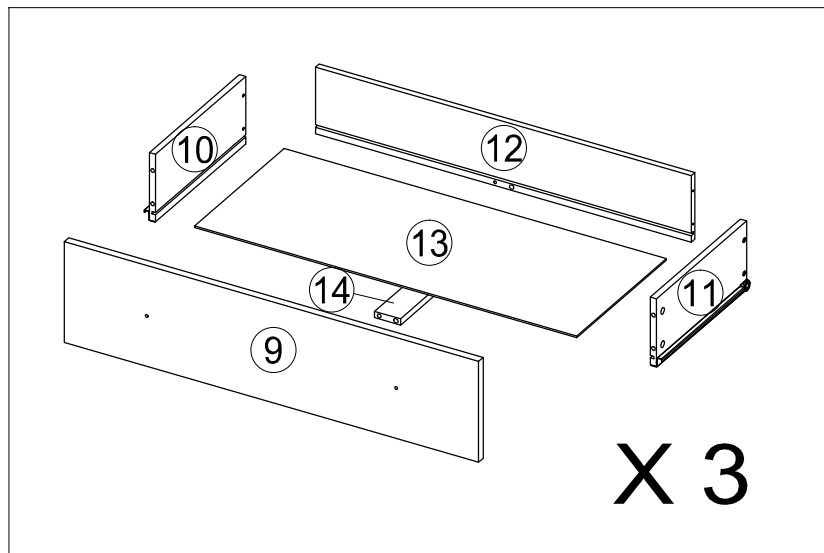
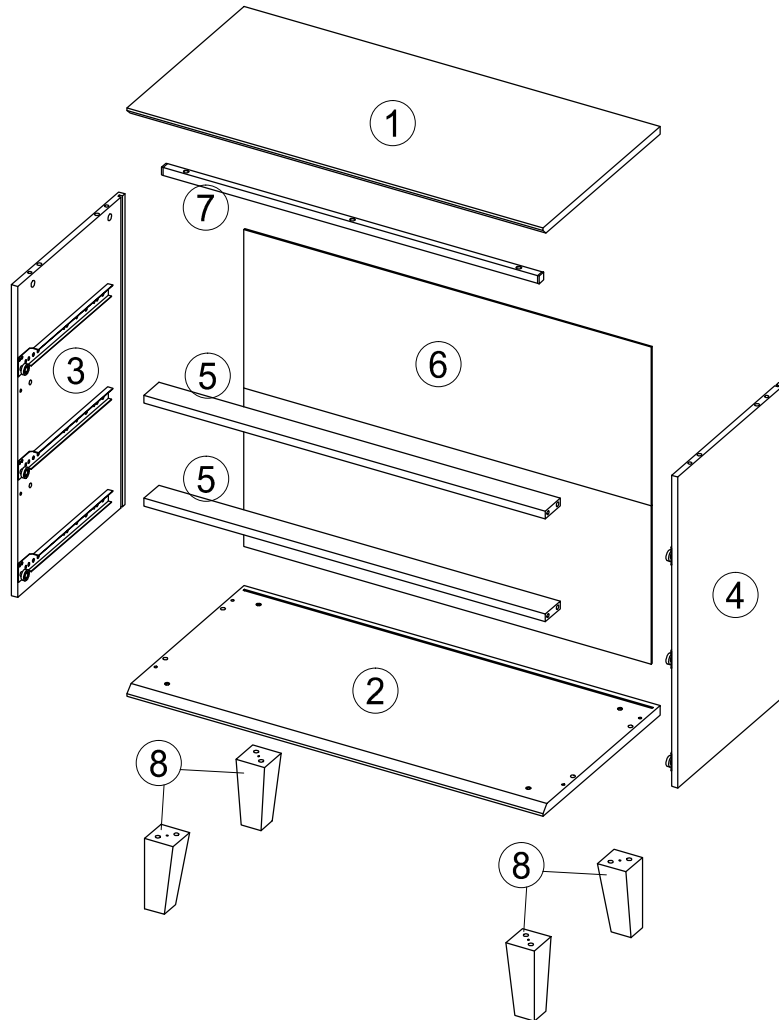
Insert the cam bolt into the hole first, then insert the cam lock and lock it.

## Tools Required

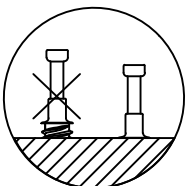
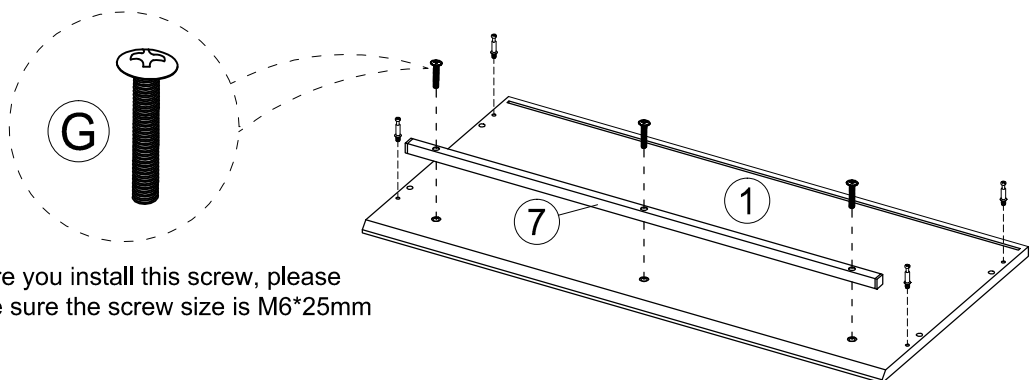
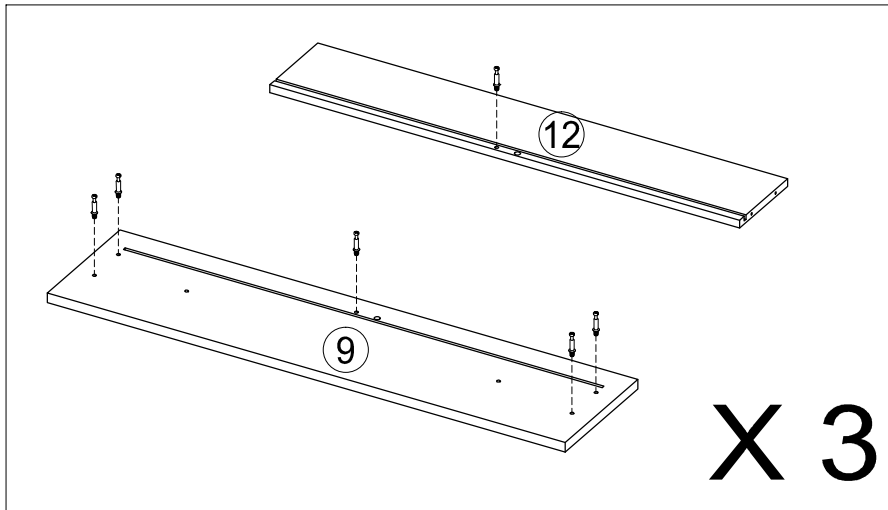
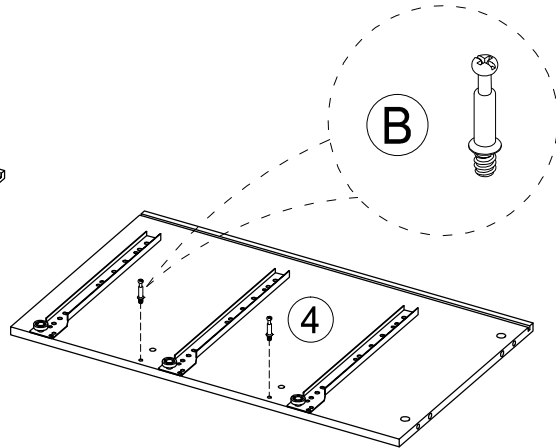
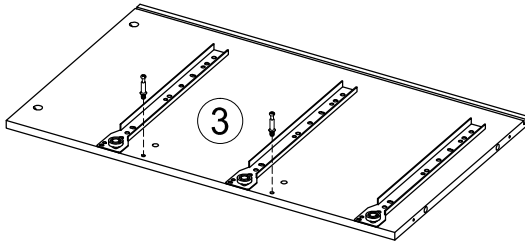
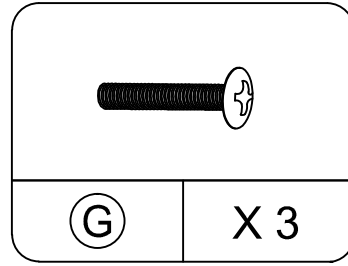
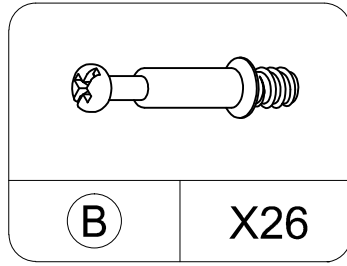
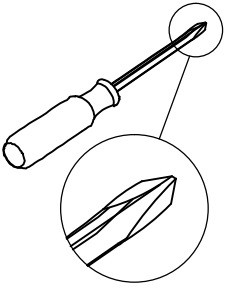


# Board Identification

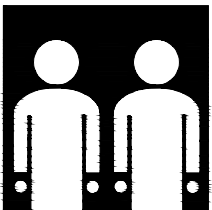
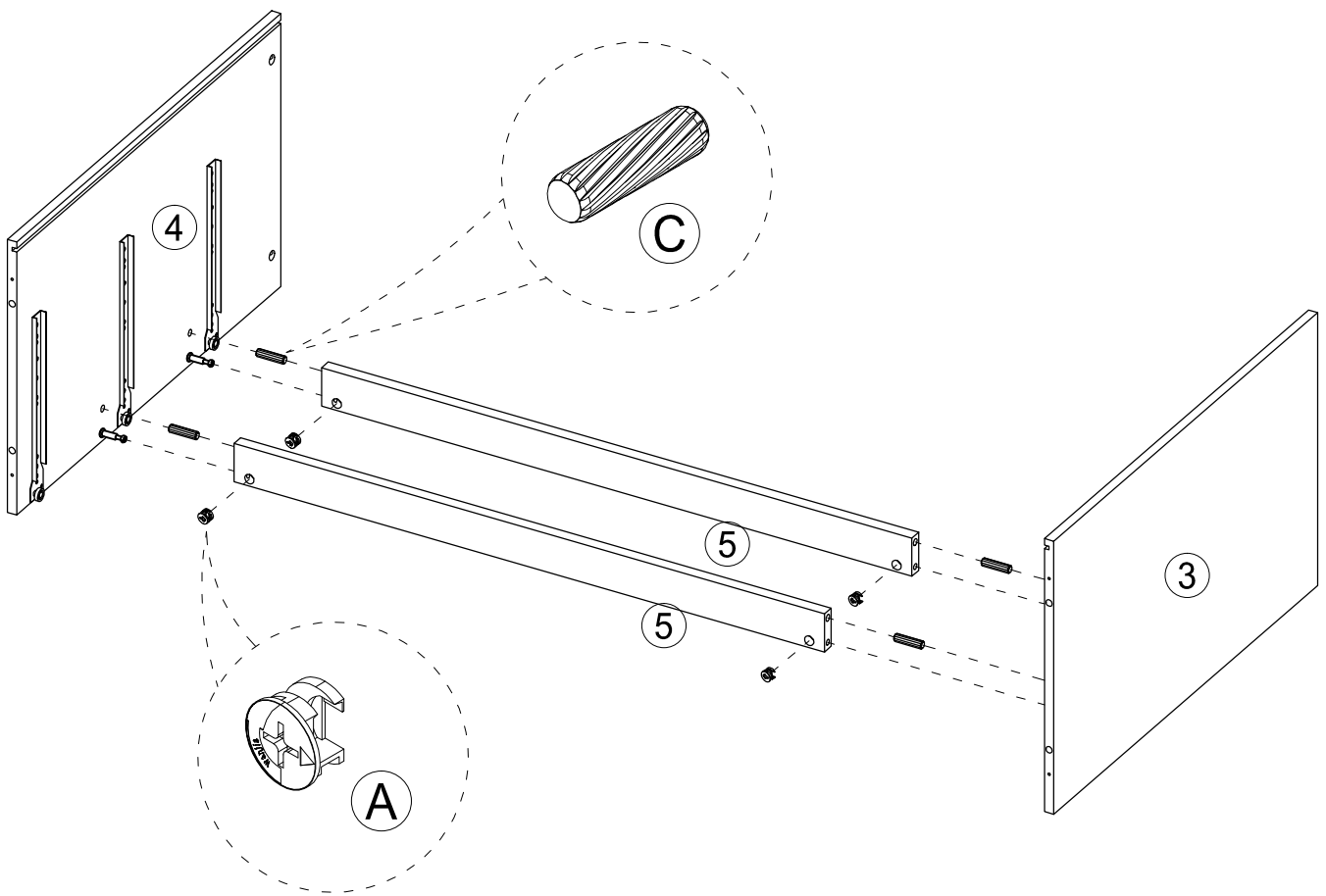
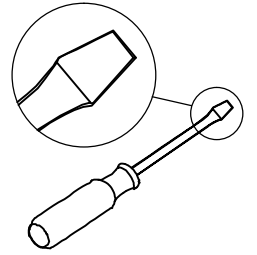
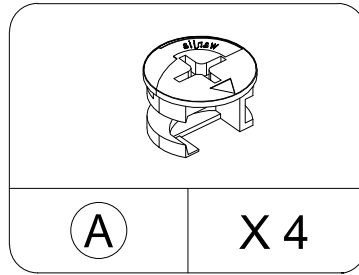
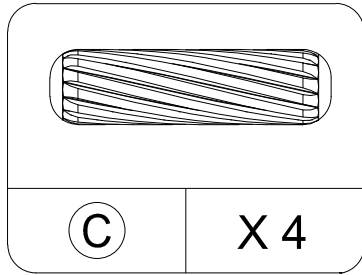
Not actual size



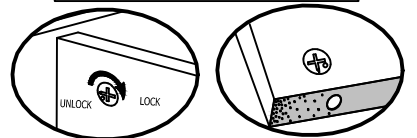
# STEP 1



# STEP 2

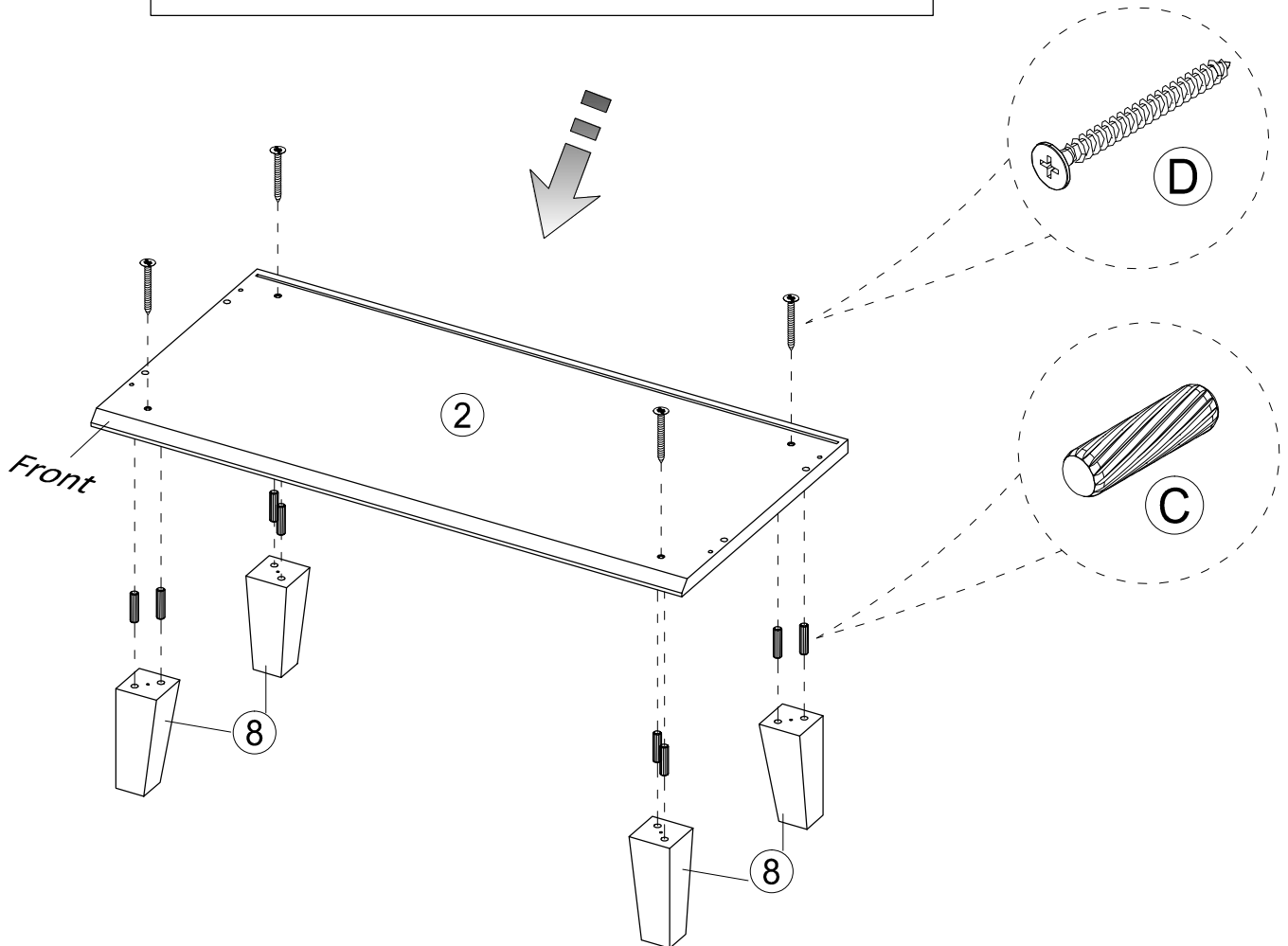
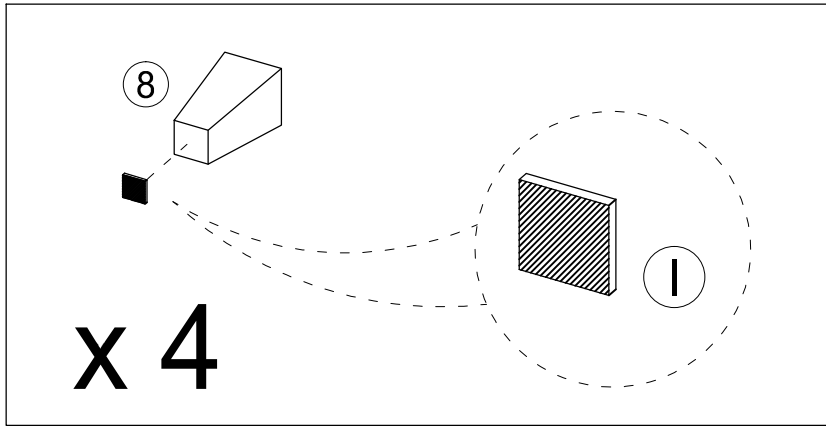
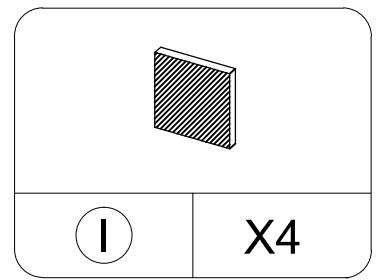
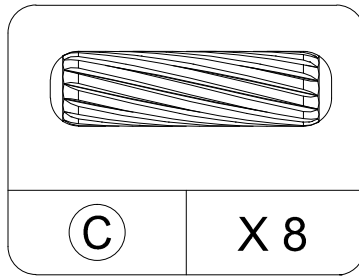
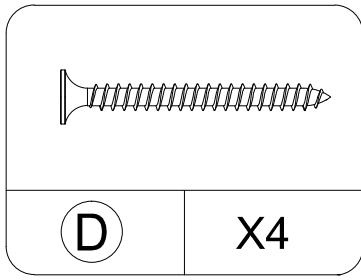
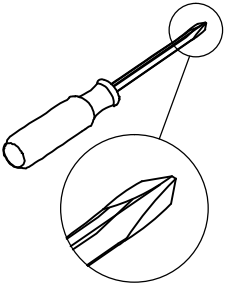


Insert the cam bolt into the hole first, then insert the cam lock and lock it.

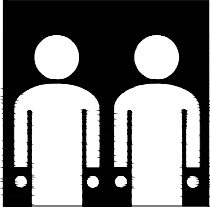
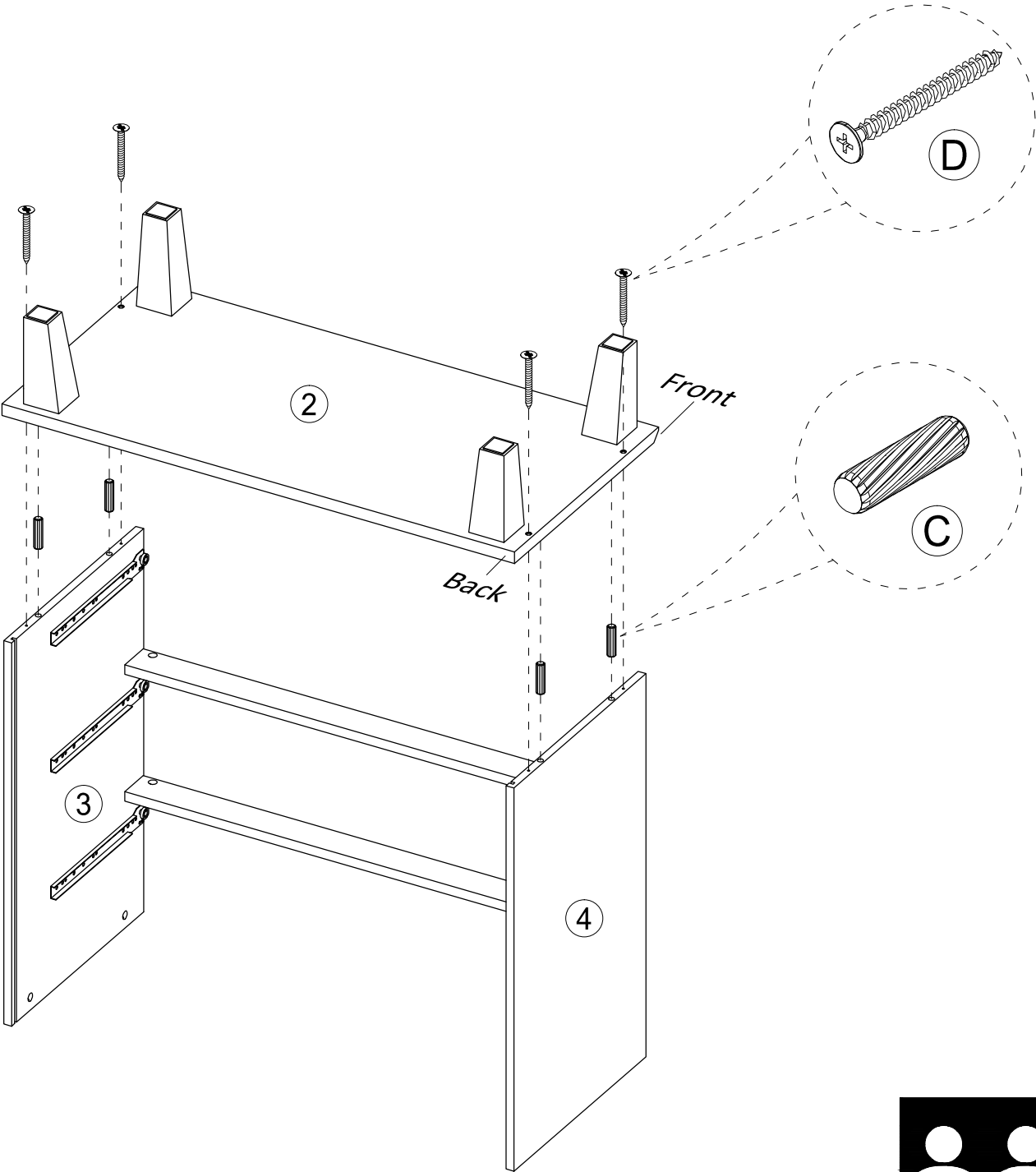
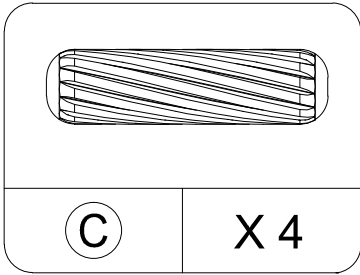
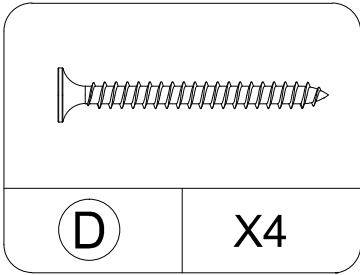
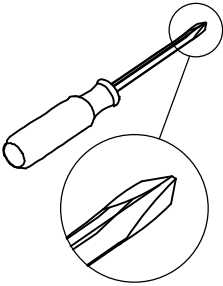


Proper orientation of CAM LOCK

# STEP 3

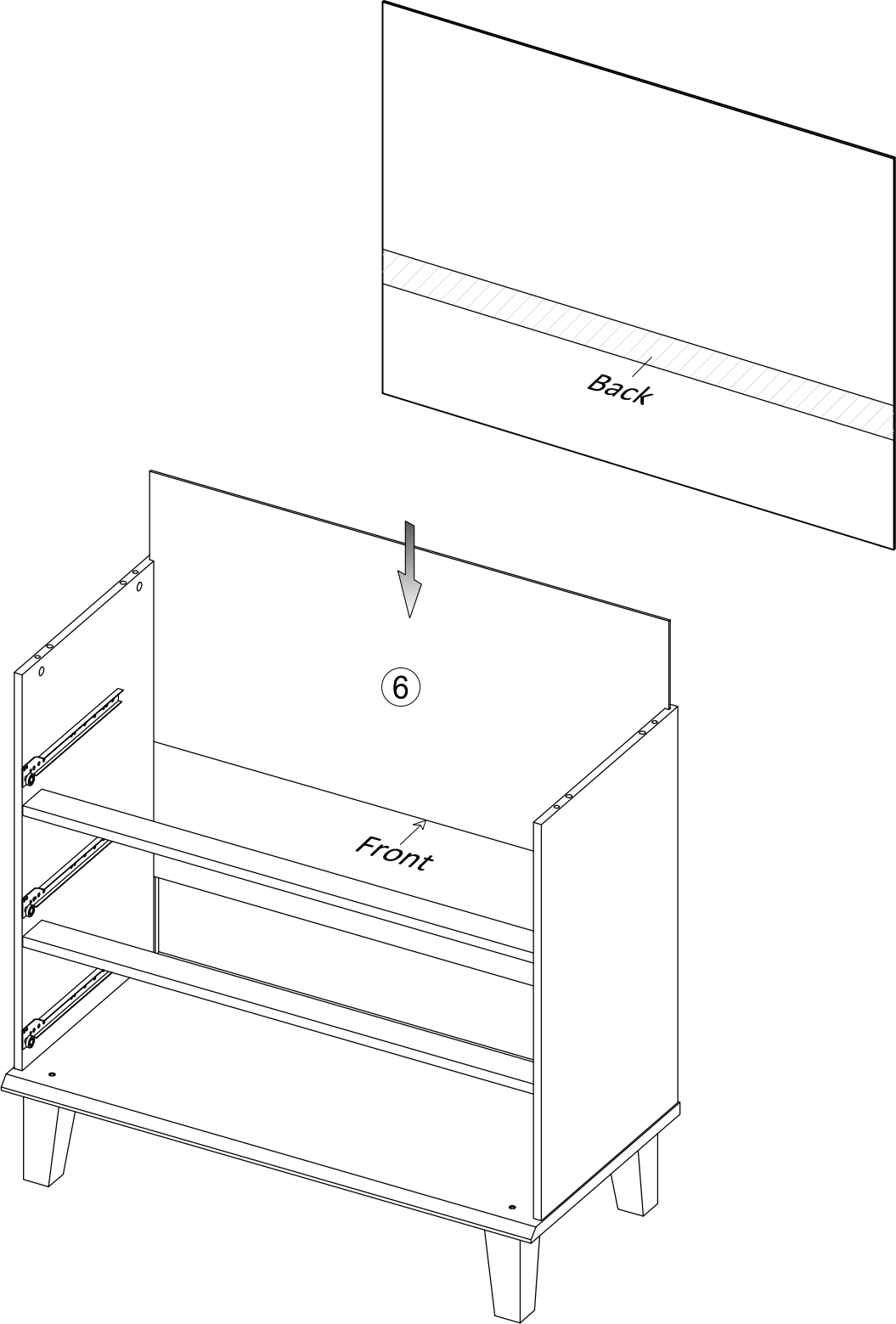


# STEP 4

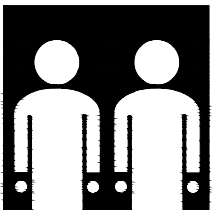
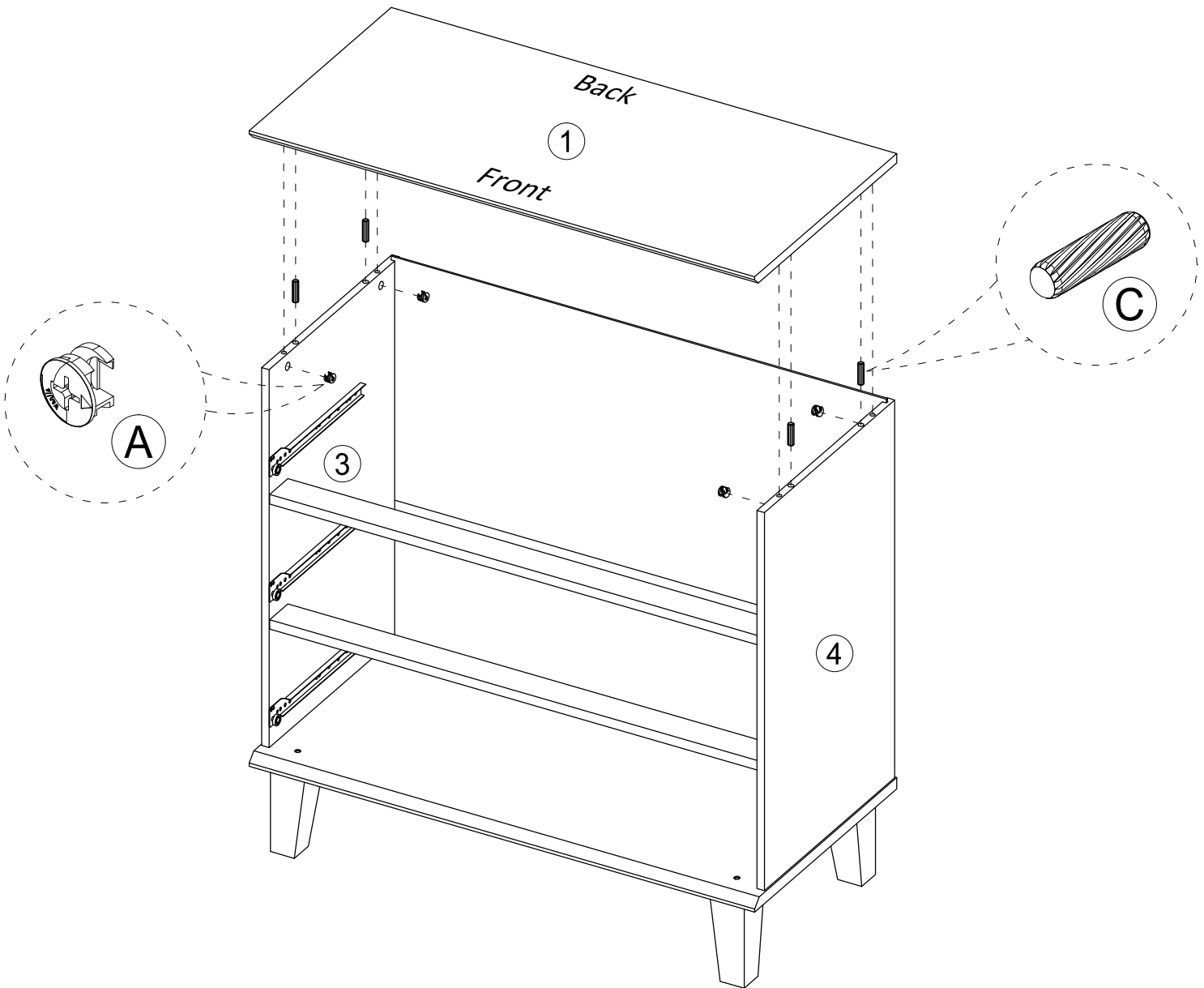
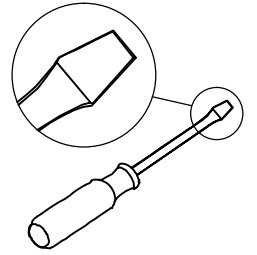
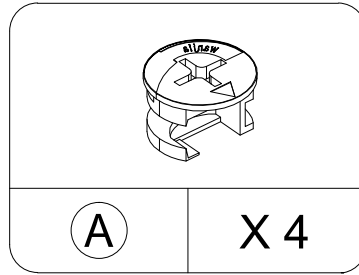
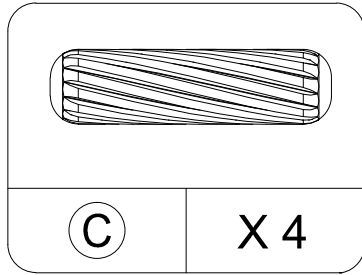


# STEP 5

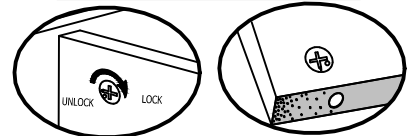
---



# STEP 6

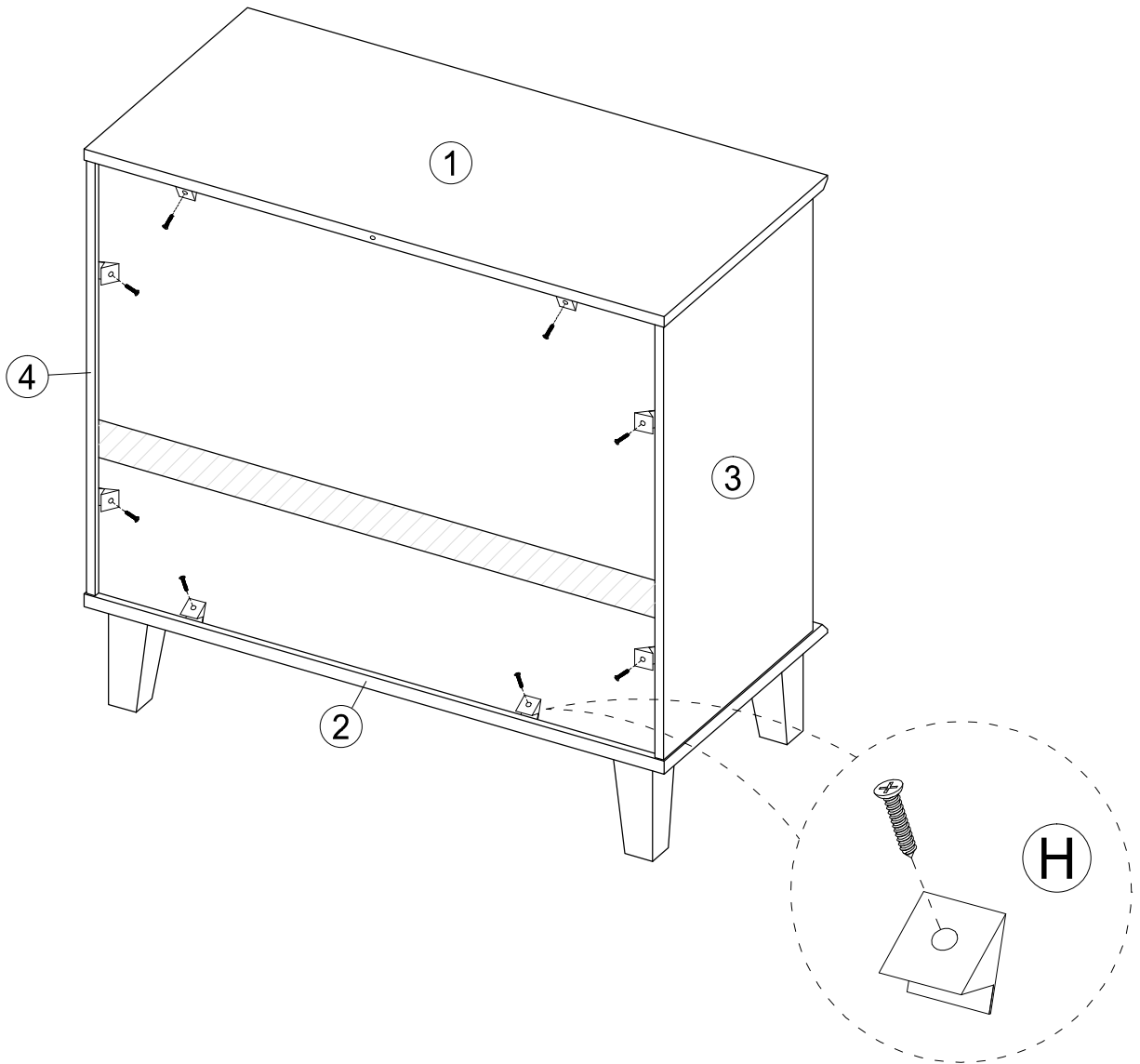
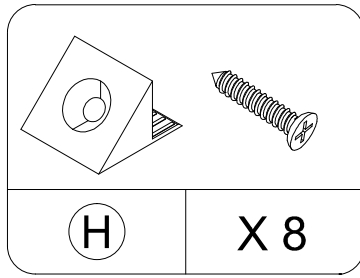
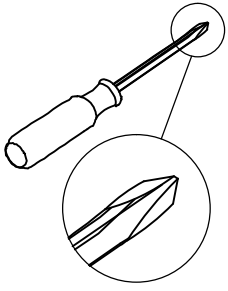


Insert the cam bolt into the hole first, then insert the cam lock and lock it.

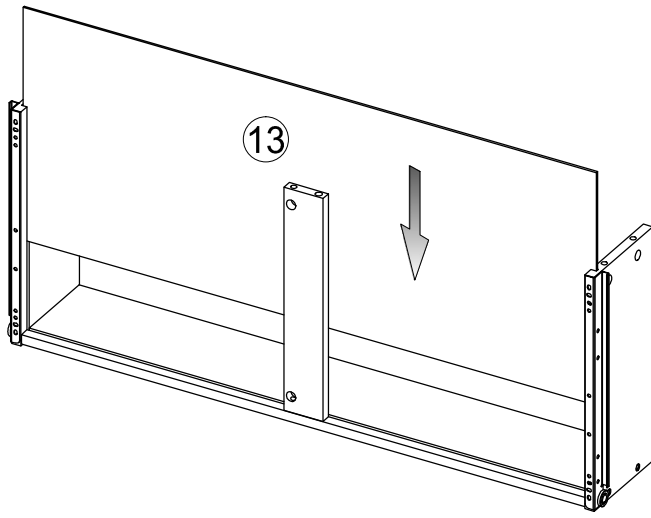
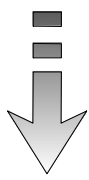
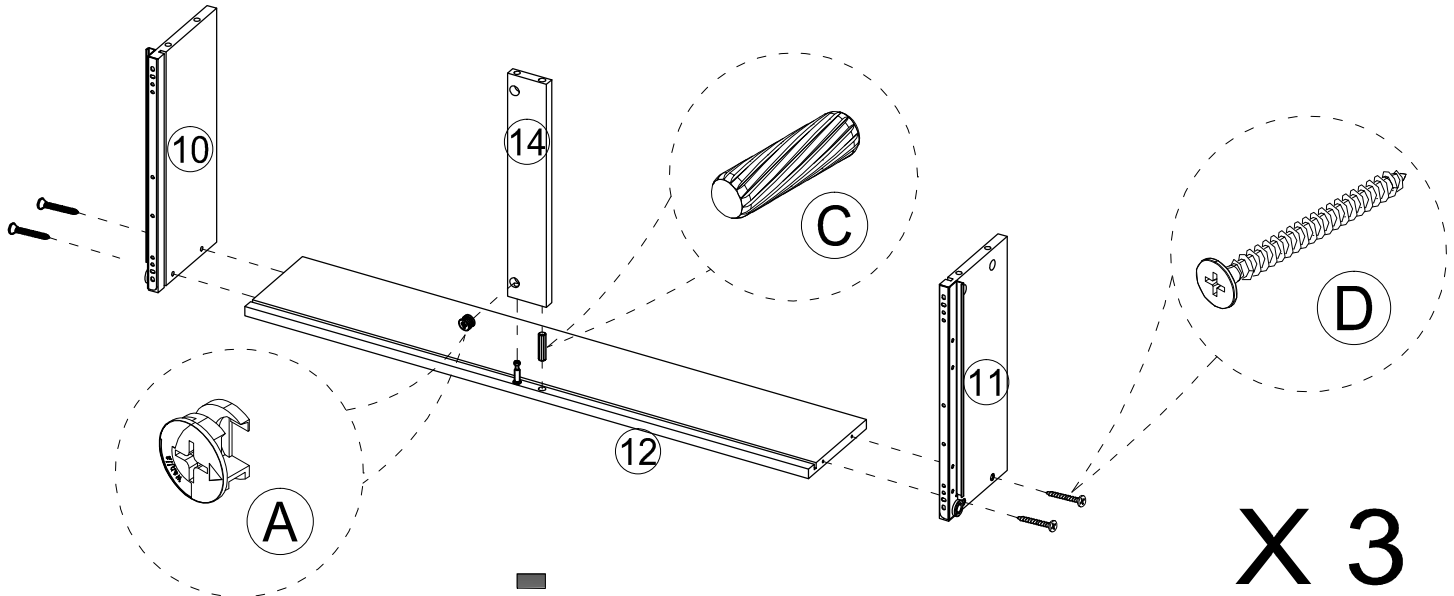
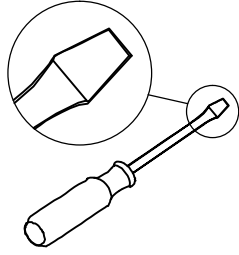
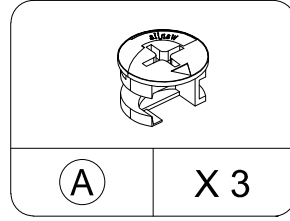
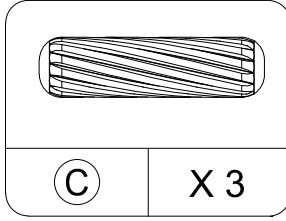
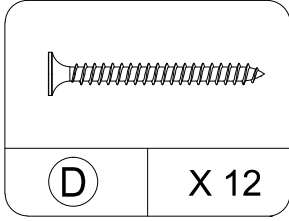
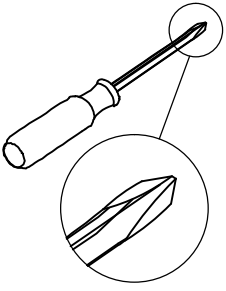


Proper orientation of CAM LOCK

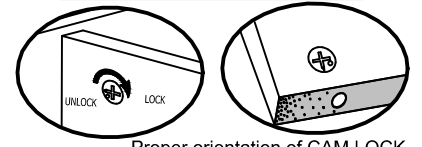
# STEP 7



# STEP 8

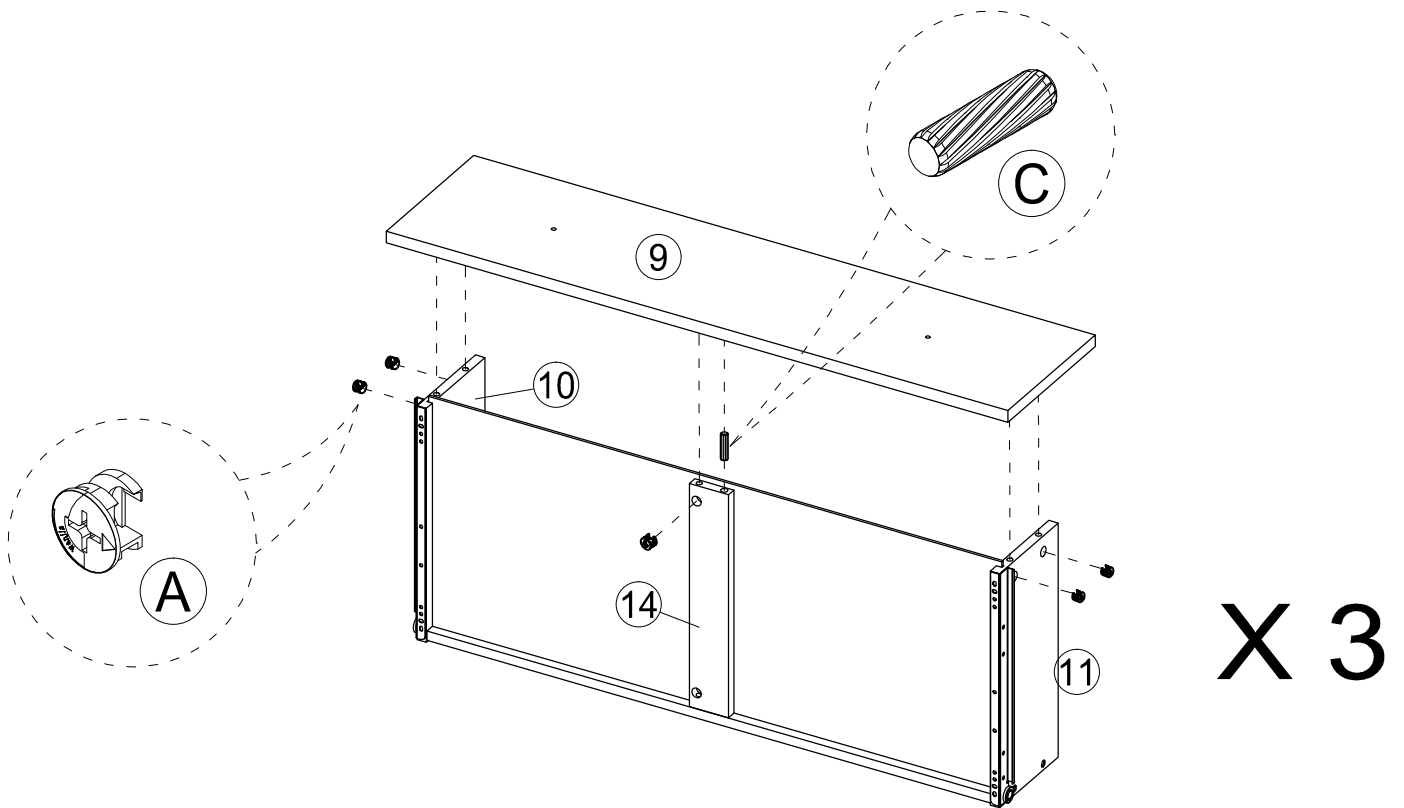
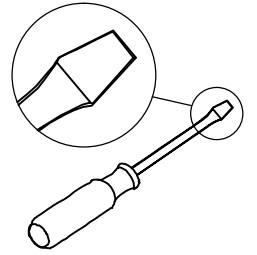
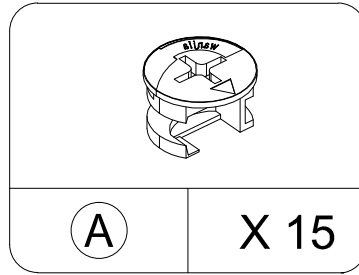
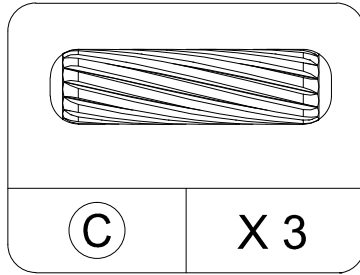


Insert the cam bolt into the hole first, then insert the cam lock and lock it.

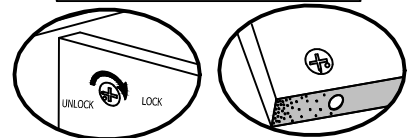


Proper orientation of CAM LOCK

# STEP 9

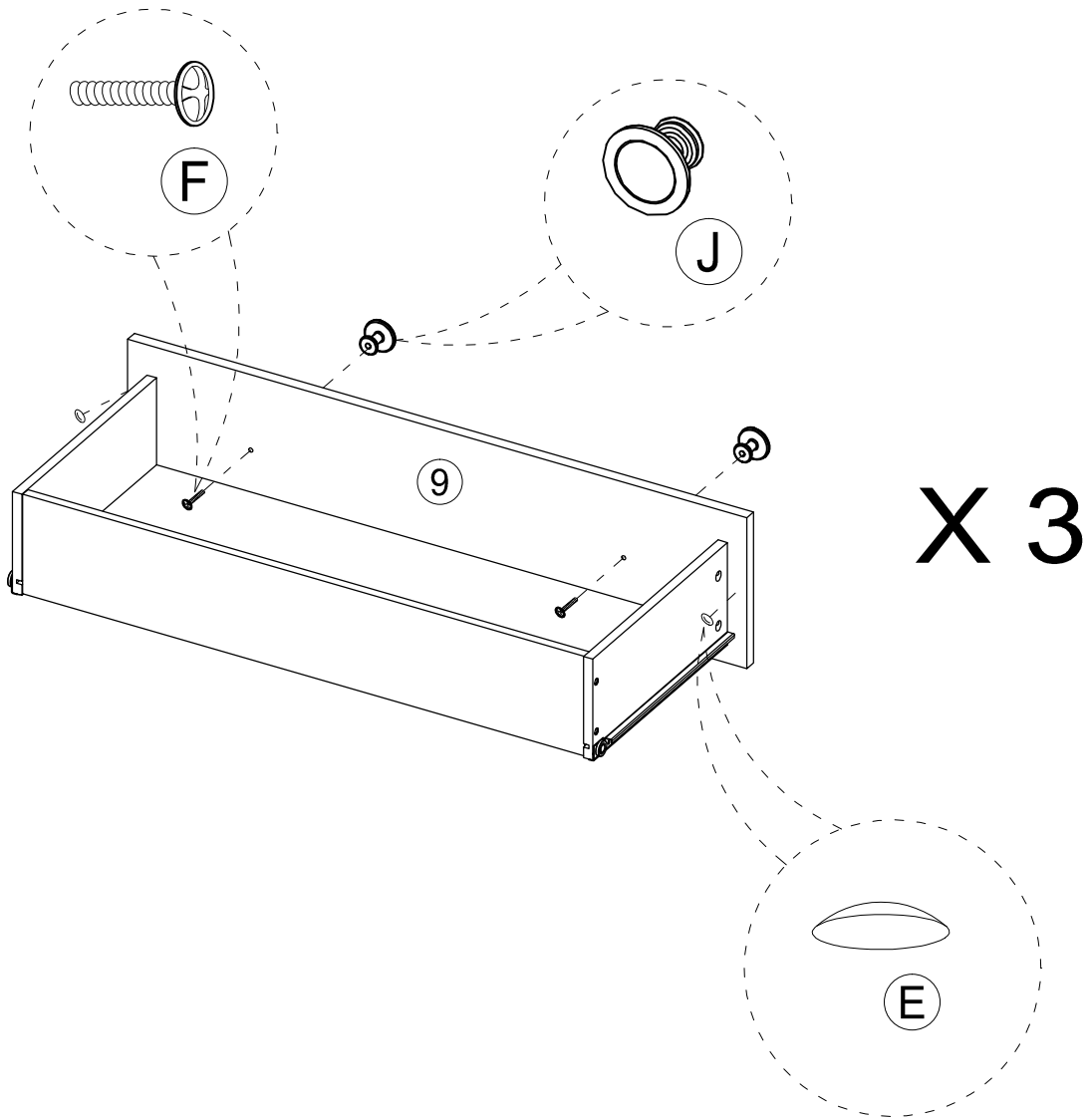
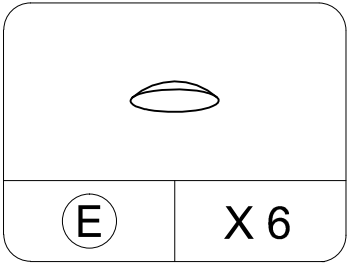
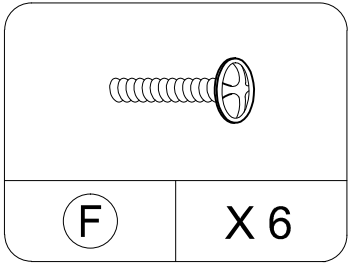
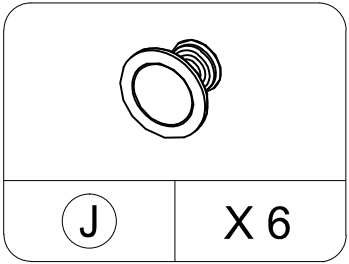
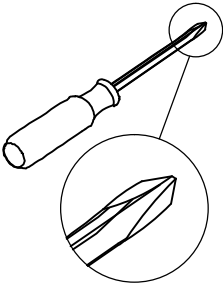


Insert the cam bolt into the hole first, then insert the cam lock and lock it.

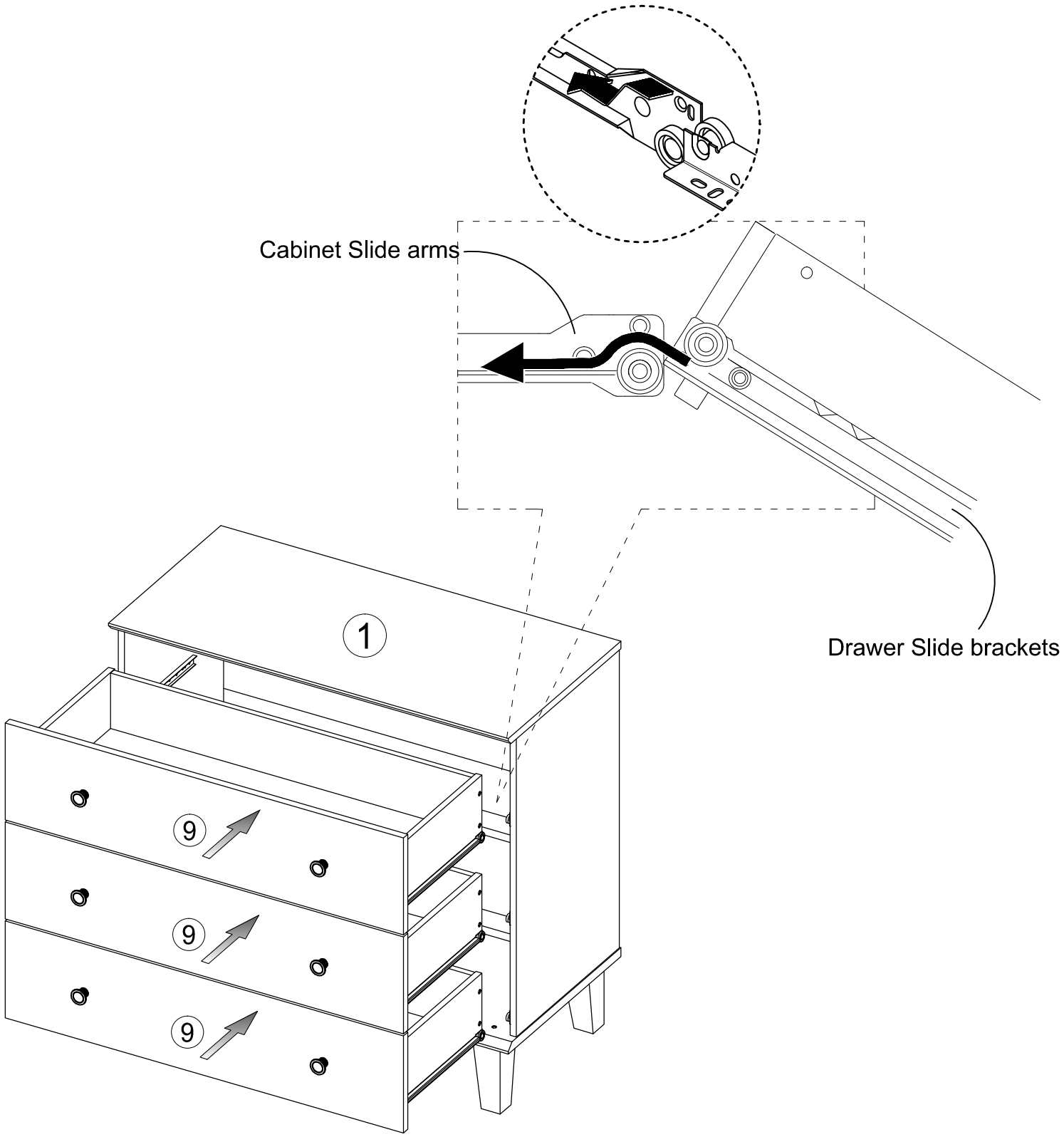


Proper orientation of CAM LOCK

# STEP 10



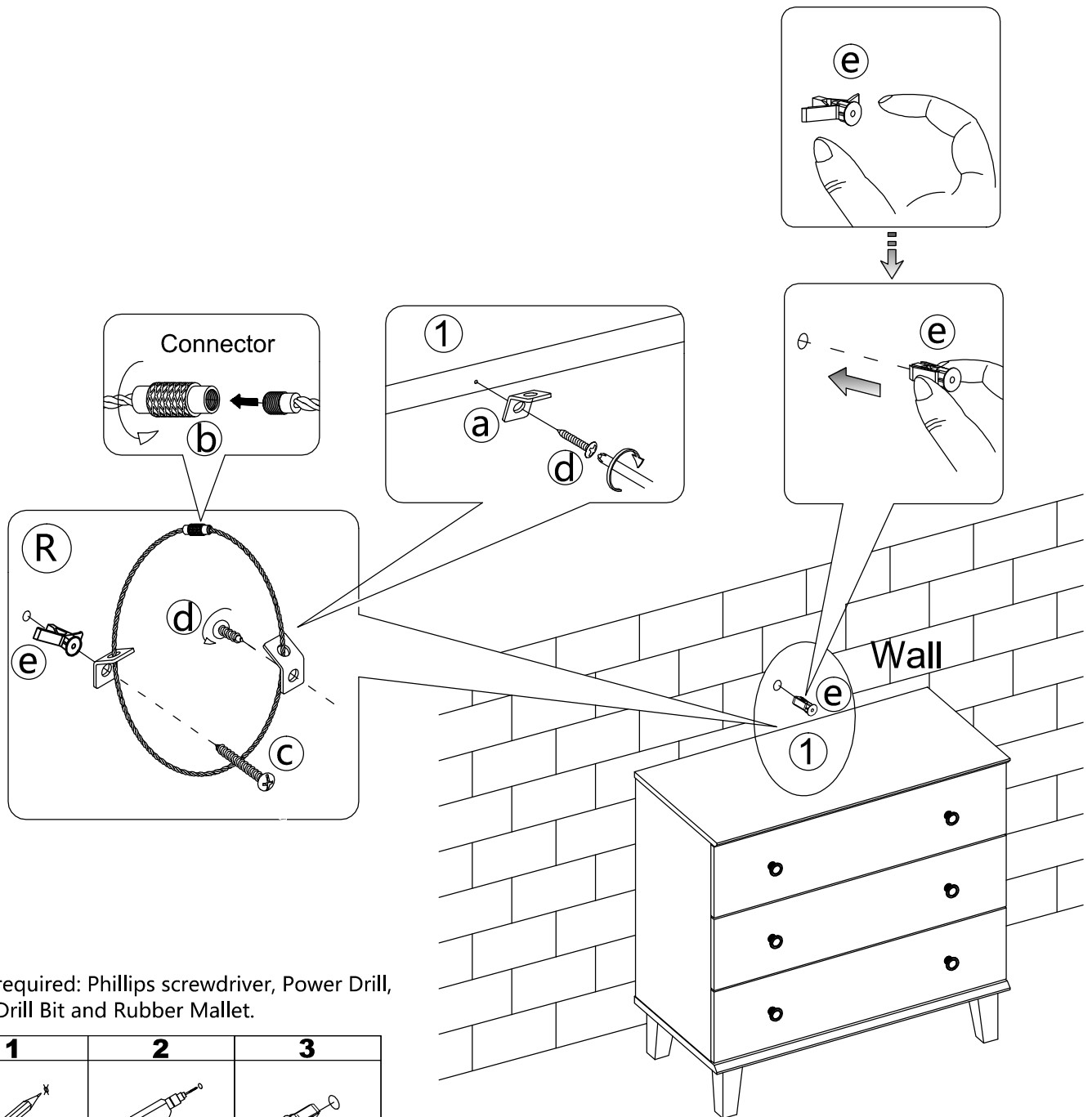
# STEP 11



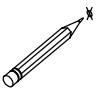

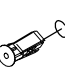
# STEP 12

## WARNING

Serious or fatal injuries can occur from furniture tipping over. To prevent the furniture from tipping over we recommend that it is permanently fixed to the wall. Wall anchor and hardware are included with this product. Please make sure hardware is suitable for your walls before installing, as different wall materials may require different types of anchors.



Tools required: Phillips screwdriver, Power Drill, 2/5" Drill Bit and Rubber Mallet.

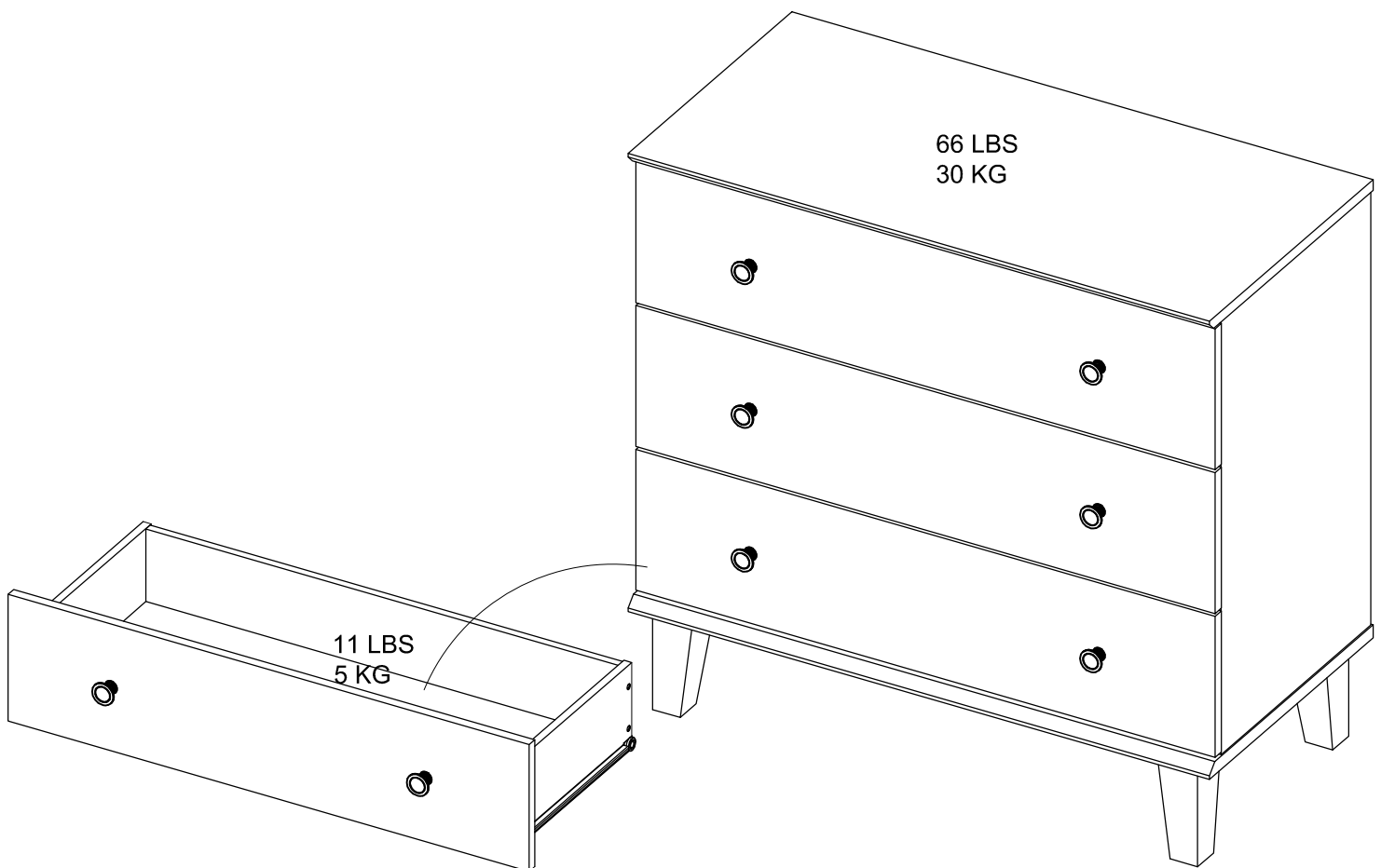
1	2	3
		

---

## WARNING

This unit has been designed to support the maximum loads shown. Exceeding these load limits could cause sagging, instability, product collapse, and/or serious injury.

Do Not allow children to climb on unit.  
Put heavy items on lower shelves or drawers



### IMPORTANT NOTE

Young children (and/or pets) can be seriously injured by tipping furniture units.

You must install the provided anti-tip kit hardware solution, as instructed to prevent the furniture unit (s) from tipping over-which could possibly lead to injuries or damage.

The provided anti-tip kit hardware solution is intended only as an additional safety measure a deterrent; it is not a substitute for proper adult supervision

The provided anti-tip kit hardware solution is not an earthquake restraint. If you wish to add the extra security of earthquake restraints they must be purchased and installed separately