

ASSEMBLY INSTRUCTIONS



Fine Furniture for every stage of life

Dining Table

ASSEMBLY INSTRUCTIONS

ASSEMBLY TIPS:

1. Remove hardware from box and sort by size.
2. Please check to see that all hardware and parts are present prior to start of assembly.
3. Please follow attached instructions in the same sequence as numbered to assure fast & easy assembly.



WARNING!

1. Don't attempt to repair or modify parts that are broken or defective. Please contact the store immediately.
2. This product is for home use only and not intended for commercial establishments.



ASSEMBLY TIME

20 MINUTES

PARTS IDENTIFICATION

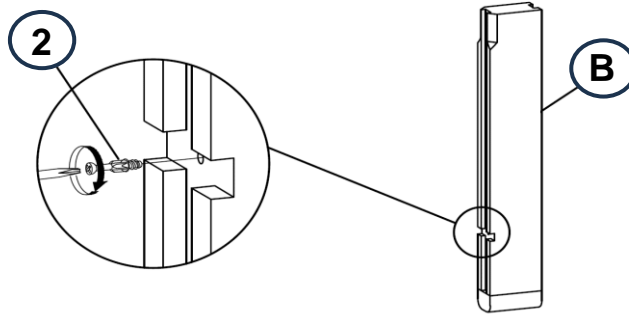
A	TOP		1PC
B	LEG		4PCS
C	SHELF		1PC

HARDWARE IDENTIFICATION

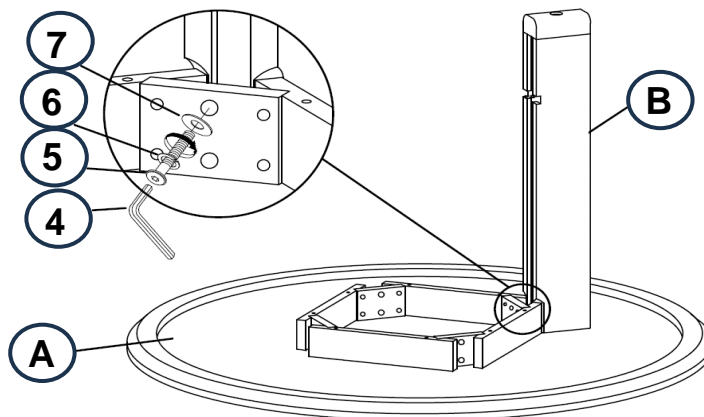
1	ALLEN WRENCH (M4 x 100mm - BLK)		1PC
2	CAM BOLT (I100 BR.B24/5/11-SR)		4PCS
3	CAM NUT (15/15+16 Z1 BRIGH - SR)		4PCS
4	ALLEN WRENCH (M5 x 65mm - BLK)		1PC
5	BOLT (M8 x 80mm - RBW)		8PCS
6	LOCK WASHER (M8 - RBW)		8PCS
7	FLAT WASHER (M8 - RBW)		8PCS
8	LEVELER (23mm - BLK)		4PCS

ASSEMBLY INSTRUCTIONS

STEP 1

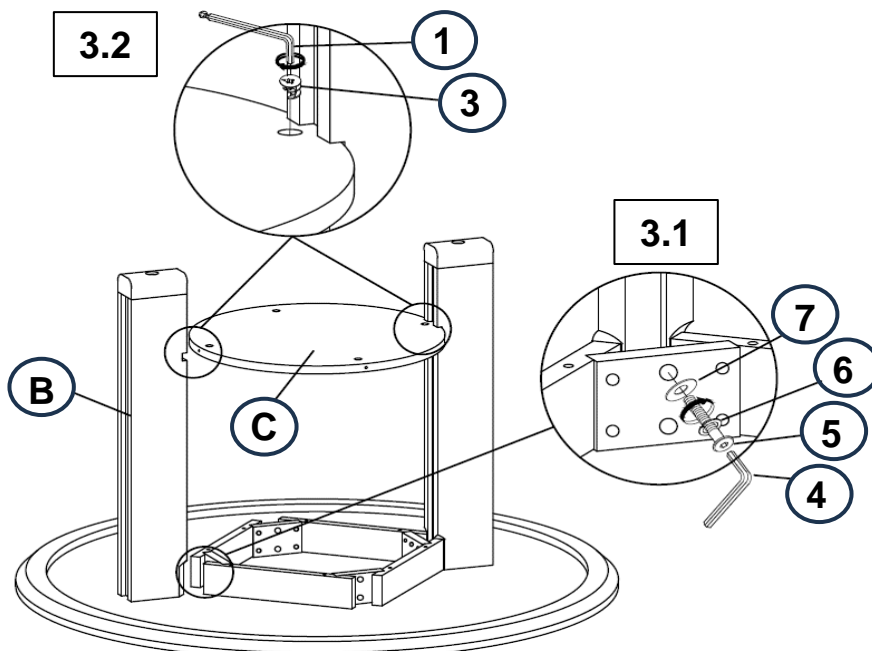


STEP 2



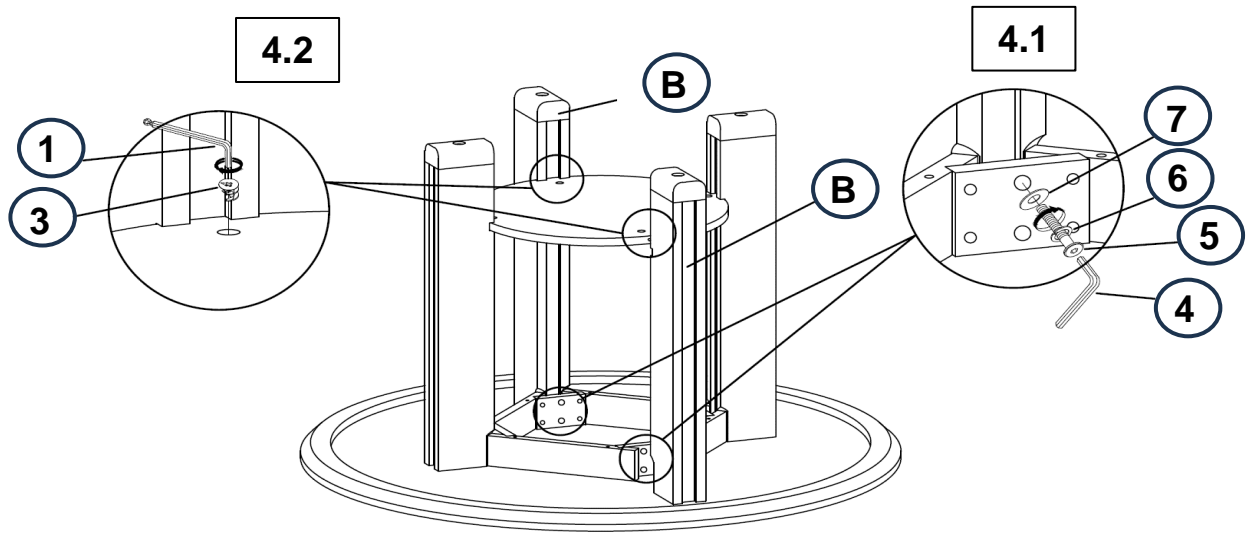
*Bottom View

STEP 3

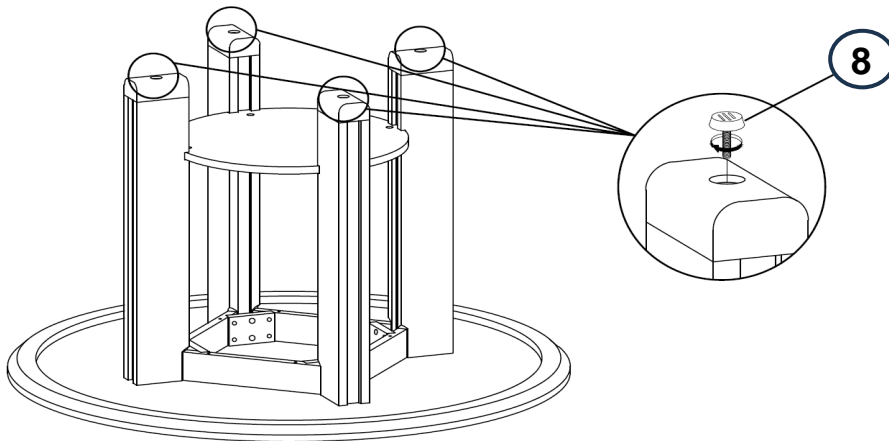


ASSEMBLY INSTRUCTIONS

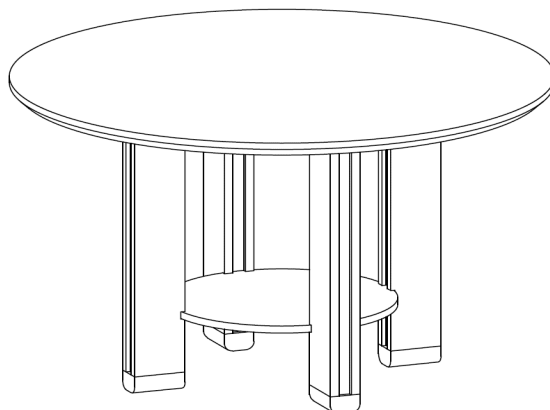
STEP 4

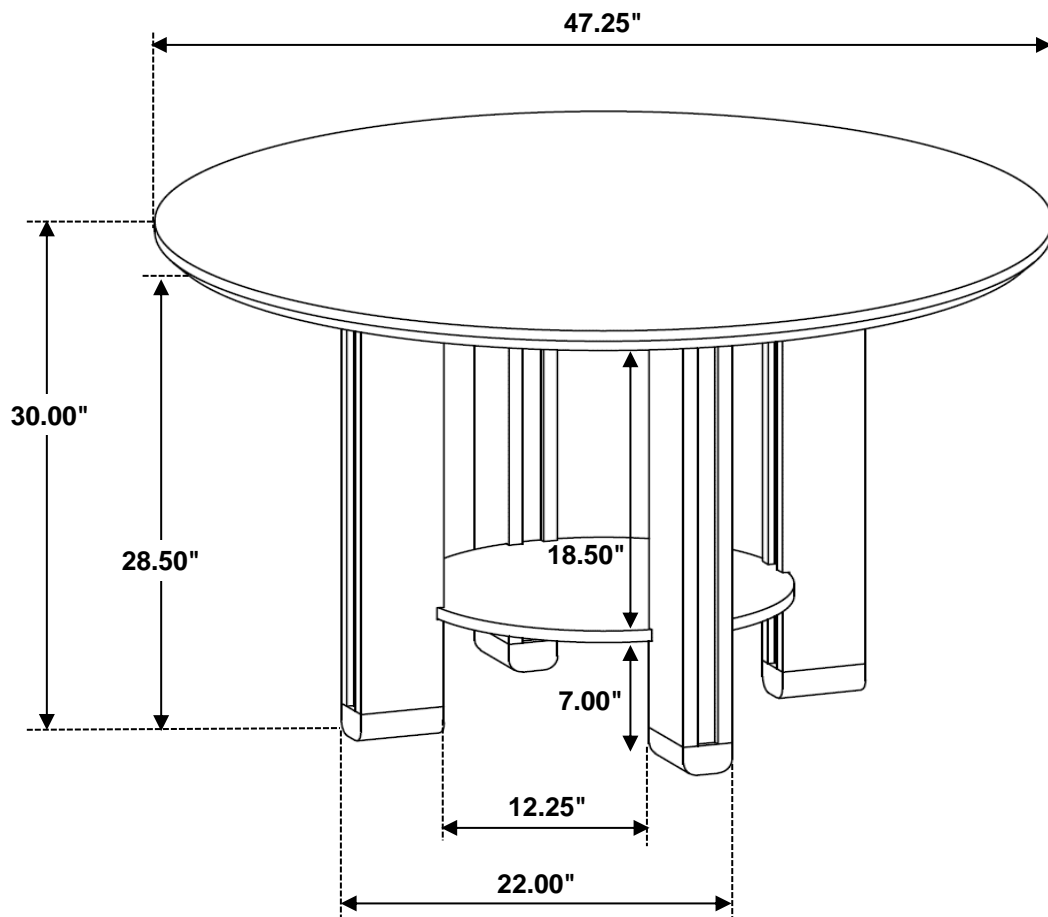


STEP 5



STEP 6 **COMPLETE**





Note: Dimension tolerance $\pm 5\%$

ASSEMBLY INSTRUCTIONS



Fine Furniture for every stage of life

Side Chair

ASSEMBLY INSTRUCTIONS

ASSEMBLY TIPS:

1. Remove hardware from box and sort by size.
2. Please check to see that all hardware and parts are present prior to start of assembly.
3. Please follow attached instructions in the same sequence as numbered to assure fast & easy assembly.



WARNING!

1. Don't attempt to repair or modify parts that are broken or defective. Please contact the store immediately.
2. This product is for home use only and not intended for commercial establishments.



ASSEMBLY TIME

10 MINUTES

PARTS IDENTIFICATION

A	BACK FRAME		1PC
B	SEAT FRAME		1PC
C	SEAT CUSHION		1PC
D	FRONT LEG		2PCS

HARDWARE IDENTIFICATION

1	ALLEN WRENCH (M4 x 100mm - BLK)		1PC
2	SHORT BOLT (M6 x 40mm - RBW)		2PCS
3	MEDIUM BOLT (M6 x 70mm - RBW)		4PCS
4	LONG BOLT (M6 x 80mm - RBW)		4PCS
5	LOCK WASHER (M6 - RBW)		10PCS
6	FLAT WASHER (M6 - RBW)		10PCS
7	FLAT HEAD SCREW (M3 x 16mm- BK)		7PCS

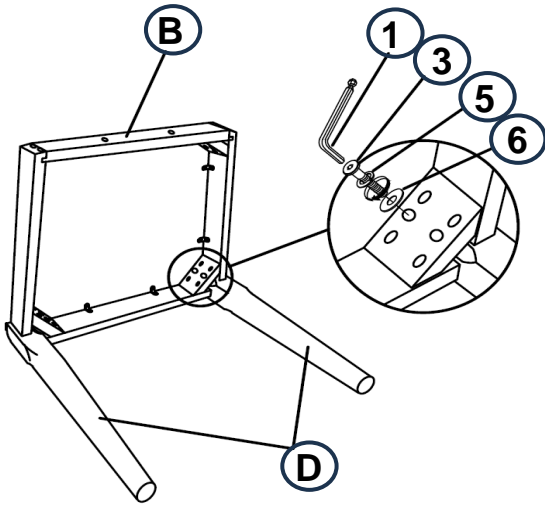
NOTE:

Quantities shown are for one chair.

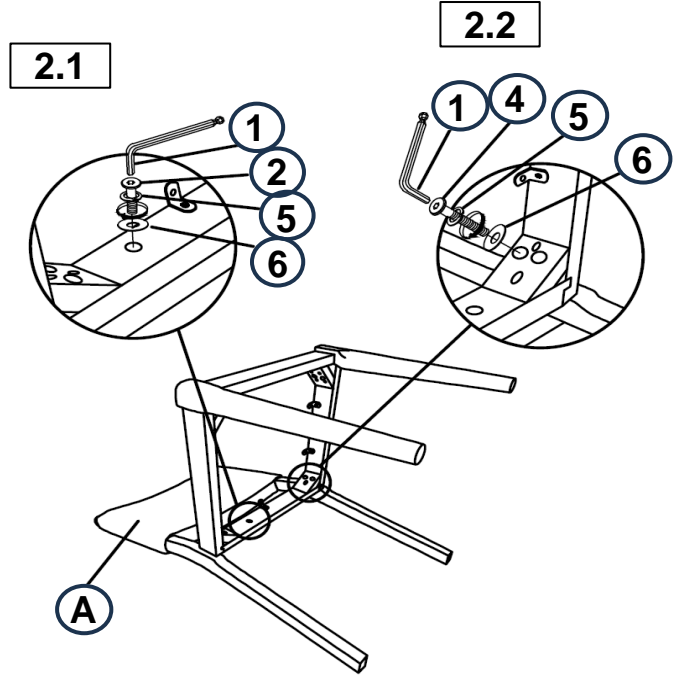
Phillips head screw driver is required in the assembly process; however, manufacturer does not provide this item.

ASSEMBLY INSTRUCTIONS

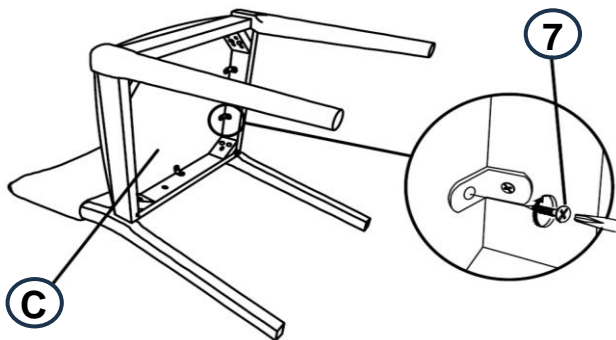
STEP 1



STEP 2

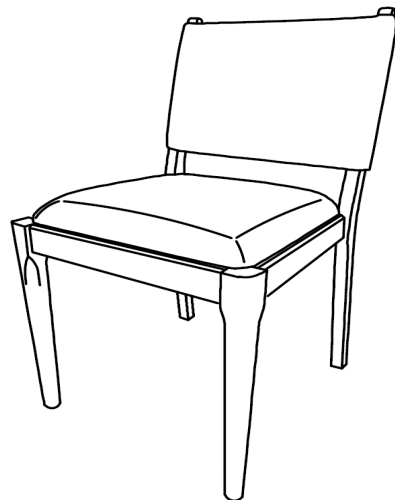


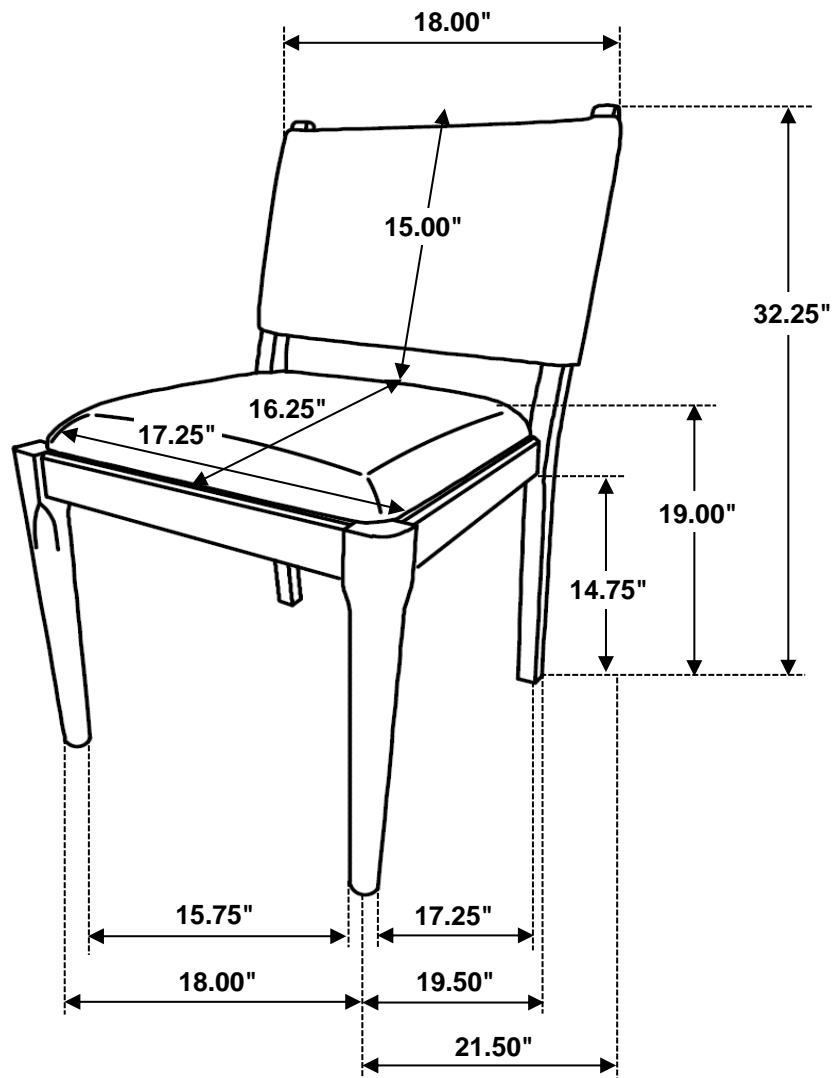
STEP 3



STEP 4

COMPLETE





Note: Dimension tolerance $\pm 5\%$