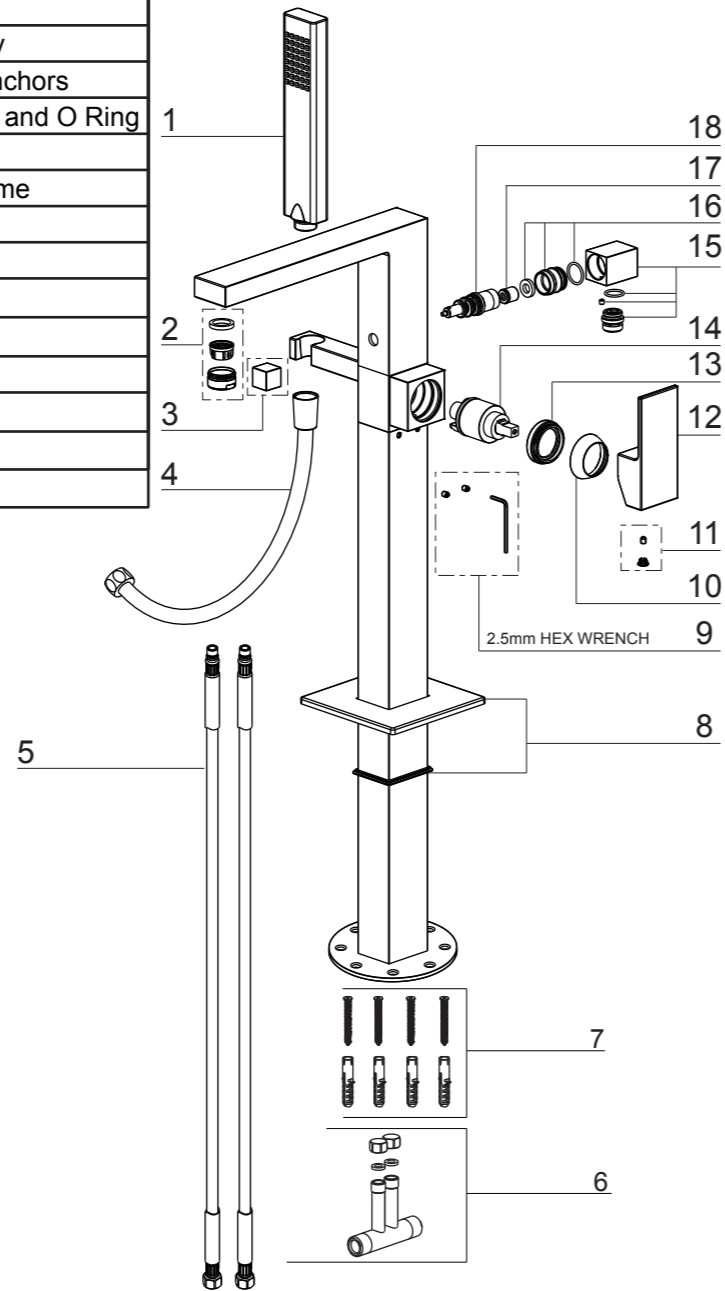


## Replacement Parts / Pièces de rechange / Repuestos

NO.	Part No.	Description
1	5101212201CP/AP/HA/HBW0A1	Hand Shower
2	5Y0295500CP/AP/HA/HBW0	Aerator Assembly
3	5H0C012001CP/AP/HA/HBW0	Diverter Knob
4	51014603CP/AP/HA/HBW	Hand Shower Hose
5	5G0034700NC0	Hot & Cold Supply
6	5Y0295900NT0	T-Connector Assembly
7	9Q0895NT	Mounting Screws & Anchors
8	5Y0295800CP/AP/HA/HBW0	Floor Mounting Flange and O Ring
9	9Q259600NT	Hex screw and Key
10	5L0P0120CP/AP/HA/HBW	Finished Cartridge Dome
11	9Q1229CP/AP/HA/HBW	Handle Plug & Screw
12	5C0069100CP/AP/HA/HBW0	Handle
13	5T1A0003AL	Cartridge Nut
14	5D0M0041PL	35mm Cartridge
15	5Y0295700CP/AP/HA/HBW0	Hand Shower Outlet
16	5Y0295600CP0	Connector Assembly
17	53001229PL	Valve
18	5D0003000CP/AP/HA/HBW0	Diverter Cartridge



### Limited Lifetime Warranty

Ultra Faucets warrants to the original purchaser that its products will be free from defects in workmanship and materials. All Ultra Faucets are provided with a life time limited warranty. This warranty does not cover any other labor or service charges associated with the removal, repair, or reinstallation of Ultra Faucets products. This express warranty does not apply to products that have been damaged as a result of misuse, abuse, negligence, accident, faulty installation or maintenance practices and/or used in any manner contrary to those recommended by the manufacturer.

**Need help?** Please call our toll-free customer service line at 1-888-658-5872 for additional assistance or service.

**Besoin d'aide?** Veuillez communiquer avec notre service à la clientèle au numéro gratuit 1-888-658-5872 pour tous renseignements ou services complémentaires.

**¿Requiere asistencia?** Llame a nuestro Servicio al Cliente, sin costo, al 1-888-658-5872 para asistencia adicional o servicio.

**UF66300**  
**UF66303**  
**UF66305**  
**UF66307**

## Rift Series

Floor Mount Tub Filler



## Installation/Installation/Instalación

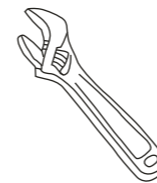
### CUSTOMER SERVICE

**TOLL-FREE 1-888-OK-ULTRA (658-5872)**

**UF66300 - Polished Chrome**  
**UF66303 - PVD Brushed Nickel**  
**UF66305 - Oil Rubbed Bronze**  
**UF66307 - Matte Black**



### Tools You Will Need / Outils dont vous aurez besoin / Herramientas necesarias



Adjustable Wrench

Clé à molette

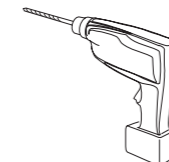
Llave ajustable



Pipe Tape

Ruban pour tuyau

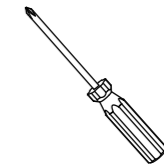
Cinta selladora para rosca



Electric Drill

perceuse électrique

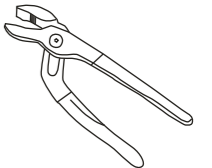
taladro eléctrico



Phillips Screwdriver

Tournevis cruciforme

Destornillador cruciforme



Groove join pliers

Pince multiprise

Pinzas ajustables

### SAFETY TIPS

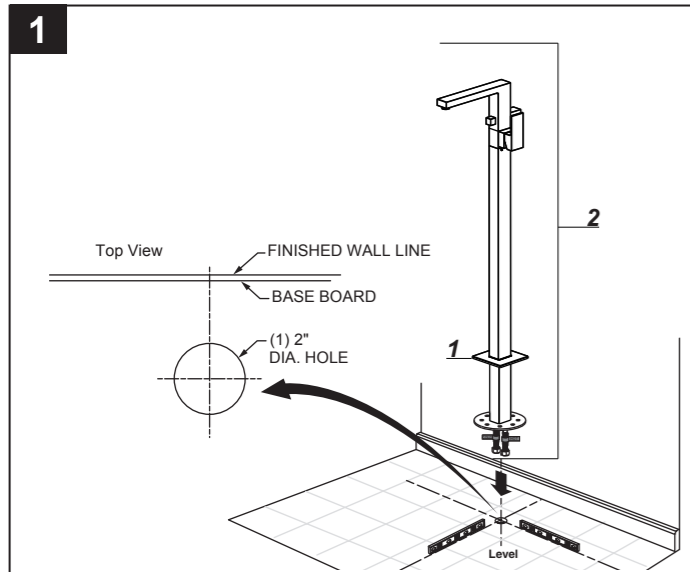
- If you use soldering for the installation of the faucet, the seats, cartridges and washers will have to be removed before using flame. Otherwise, warranty will be void on those parts.
- Cover your drain to avoid losing parts.
- 0°C~55°C.

### CONSIGNES DE SÉCURITÉ

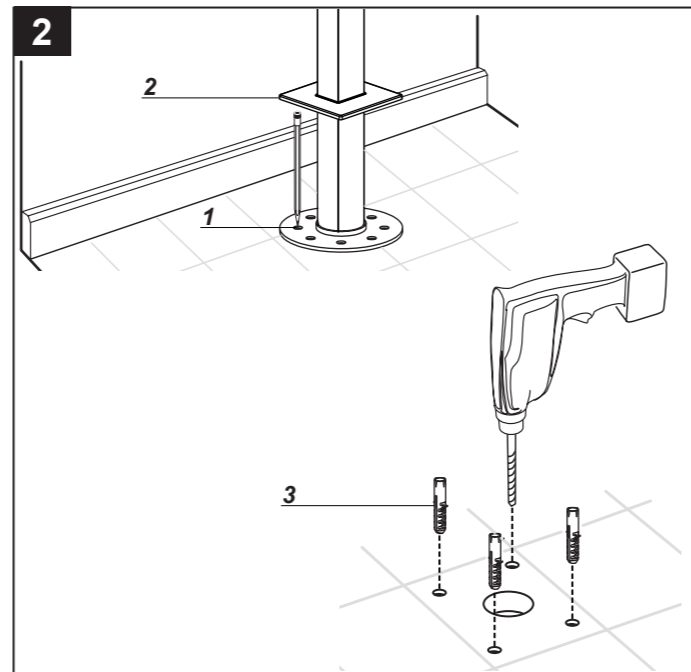
- Si vous posez le robinet par brasage, il est essentiel de retirer les sièges, les cartouches et les rondelles avant d'appliquer la flamme, faute de quoi la garantie sur ces pièces sera annulée.
- Couvrez le drain pour ne pas perdre des pièces.
- 0°C~55°C.

### CONSEJOS DE SEGURIDAD

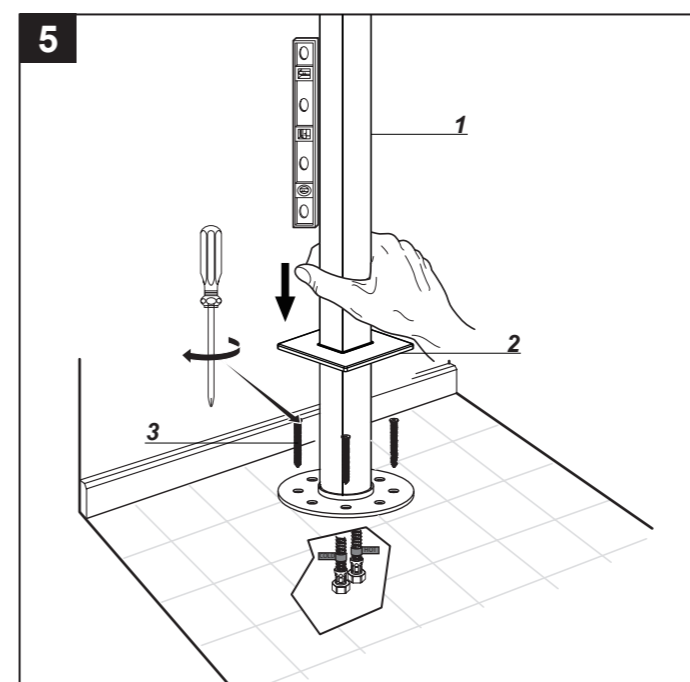
- En el caso de utilizar soldadura para instalar el grifo, remueva los asientos, cartuchos y arandelas antes de usar la llama. De lo contrario, se anulará la garantía para esos componentes.
- Tape la boca del desagüe para prevenir la pérdida de piezas pequeñas.
- 0°C~55°C.



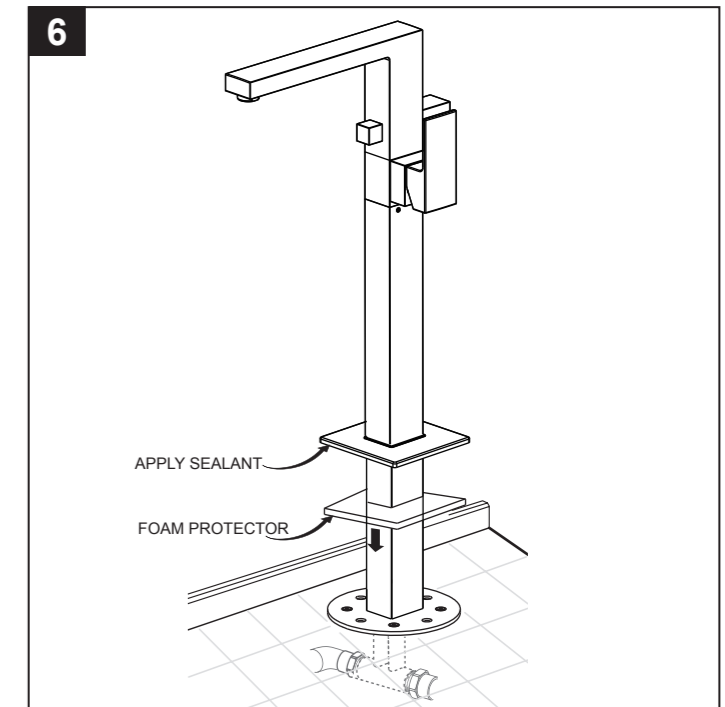
Determine the distance from the finished wall to the center of the floor where the water supply holes are and mark a centerline. Note: Check that floor is level in both directions.  
Drill a 2" (51mm) diameter hole for the 1/2" Hot and Cold supplies.  
Place FLOOR MOUNTING FLANGE (1) over the floor supply hole. Align and center the TUB FILLER ASSEMBLY (2).



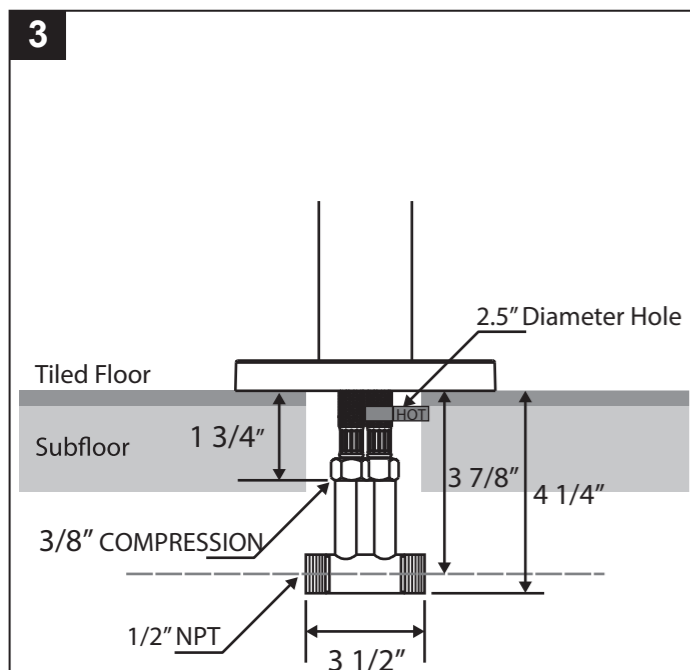
With the TUB FILLER ASSEMBLY (2) aligned and in desired position, mark on the floor the four mounting holes for the MOUNTING FLANGE (1).  
Drill four 1/4" (6mm) diameter holes 1-3/4" (44mm) deep. Install the four supplied MOUNTING ANCHORS (3) and flush to the top of the finished floor.



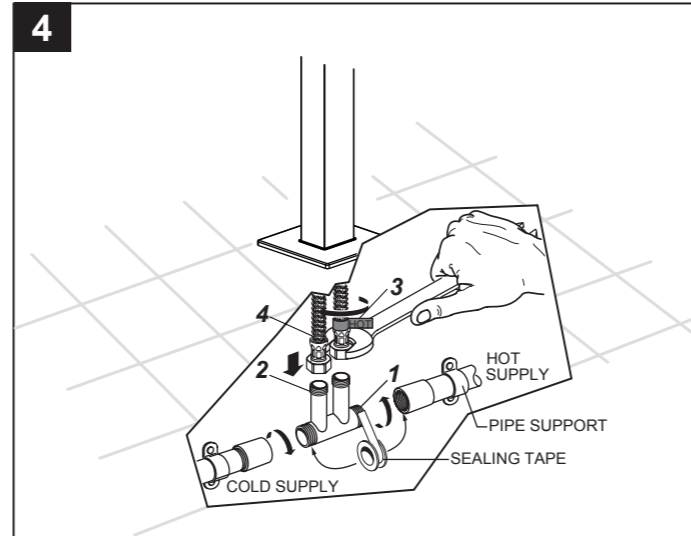
Hold the TUB FILLER ASSEMBLY (1) in place and install the four MOUNTING SCREWS (3). Check alignment and level before fully tightening the MOUNTING SCREWS (3). After tightening the MOUNTING SCREWS (3) slide FLOOR MOUNTING FLANGE (2) down to floor.



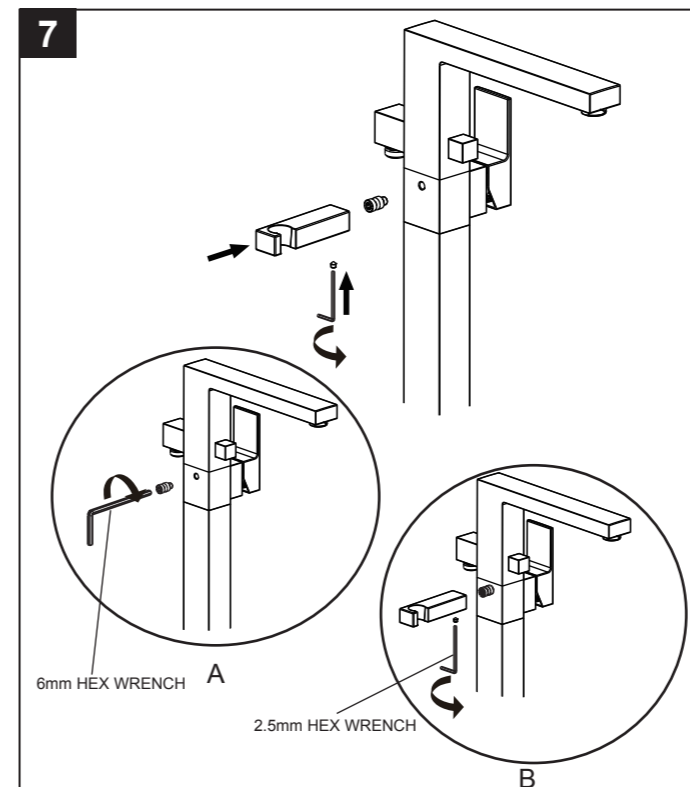
Turn on water supplies and check all connections for leaks. Check MANIFOLD connections for leaks. Remove foam protector and apply sealant to under side edge on ESCUTCHEON. Slide ESCUTCHEON down to finish floor. Press into place. Clean up excess sealant.



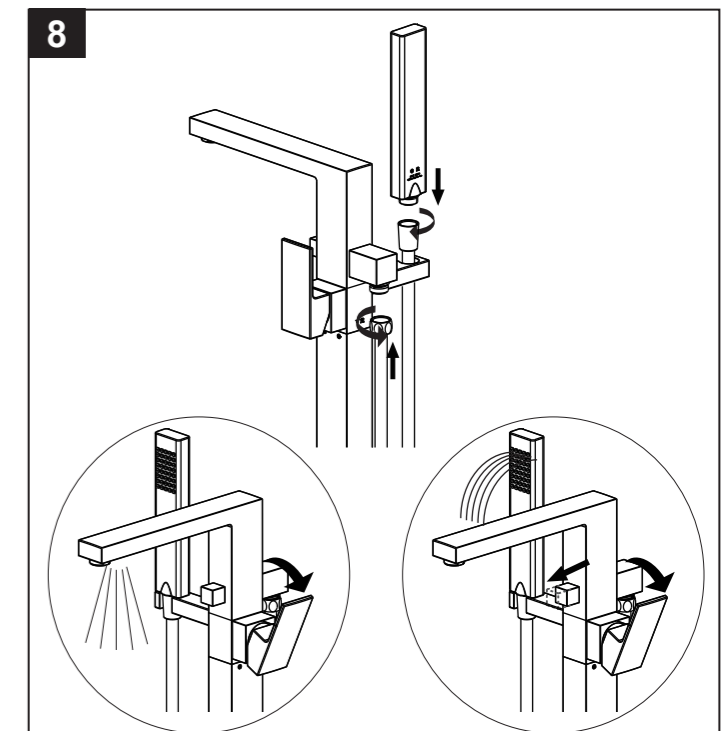
Make sure HOT and COLD SUPPLIES protrude through the 2.5" diameter hole in the floor enough to connect the supplies to T-CONNECTOR.



1. Apply Teflon Tape to the threads of the T-connector (1) and connect the T-connector to hot and cold supply pipes and tighten fully.  
2. From below the floor, connect the HOT WATER SUPPLY HOSE (3) (marked with red) to the Hot water supply from the "T" (2) and the COLD WATER SUPPLY HOSE (4) to Cold water supply from the "T" (2). Use an adjustable wrench to tighten connections. Do not over tighten.  
3. Secure piping below floor to floor joist.



Mount hand shower bracket onto spout base. Tighten using supplied hex wrench and set screw.



Attach the hand shower hose to the supply elbow on the back of the tub filler.  
Once hand shower is attached turn on TUB FILLER and test the diverter

量产

技术要求:

1. 尺寸: A3对折, A4版面;
2. 印刷: 双面单色印刷;
3. 纸张: 105铜版纸;
4. 说明书无需装订;
5. 页数: 4页;
6. 此图主要做规格描述, 实际印刷依照后4页。

9L485700CP说明书				材料	105克铜版纸
图号	15125355			第 1 页/共 1 页	
设计	林昌俊	审核	周彤	 <b>SEAGULL</b> 海 鸥 住 工	
校对	罗志君	批准	赵根伟		
日期	2020-12-29				

版次	处数	ECN编号	更改人	日期	声明:本图为机密文件, 版权归广州海鸥住宅工业股份有限公司所有, 未经本公司的书面许可不得擅自使用、复制、或向他人展示。	理论重量 [g]	13	客户版本	
						理论体积 [cm <sup>3</sup> ]		客户编号	
						理论面积 [cm <sup>2</sup> ]		绘图单位	mm
						理论表面积 [cm <sup>2</sup> ]		比 例	1:1