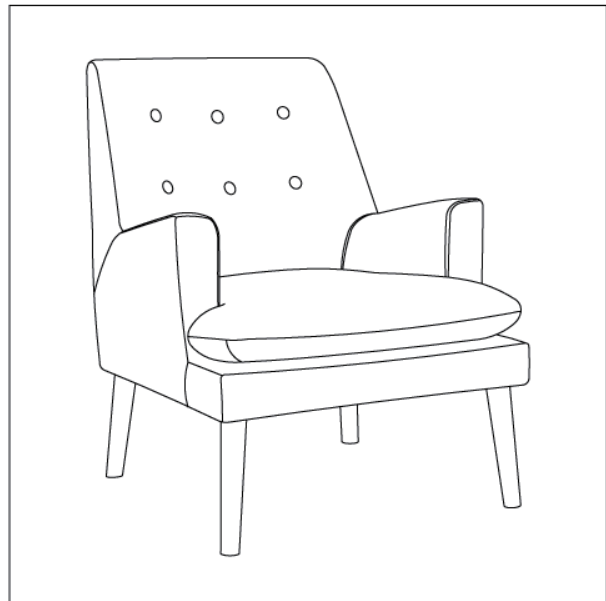
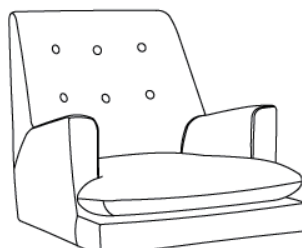
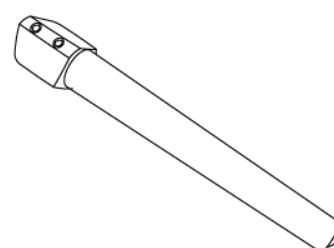
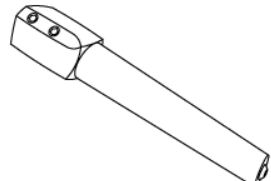

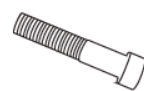




ASSEMBLY INSTRUCTIONS

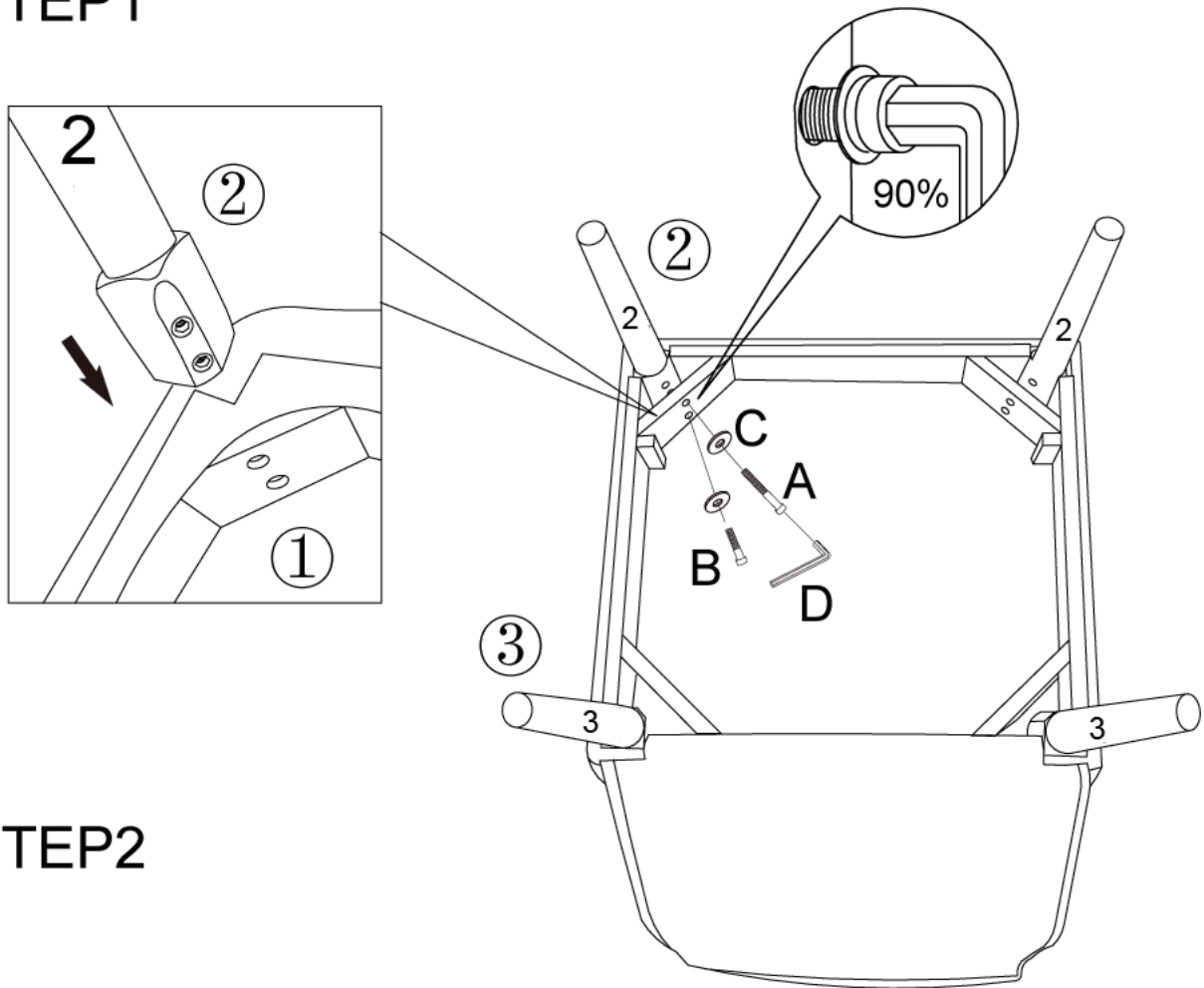


TURN TOP UPSIDE DOWN ON A SOFT WORKING SURFACE.

| | | |
|---|--|--|
| <p>①</p>  | <p>②</p>  <p>TWO LONGER FRONT LEGS MARK "2"</p> | <p>③</p>  <p>TWO SHORTER BACK LEGS MARK "3"</p> |
| <p>A</p>  x4 | <p>B</p>  x4 | <p>C</p>  x8 |
| <p>D</p>  x1 | | |

ASSEMBLY INSTRUCTIONS

STEP 1



STEP 2

