

ASSEMBLY INSTRUCTIONS



CAUTION

◆ Inspect the wire insulation for any cuts, abrasions, or exposed copper that may have resulted during shipping. If there is a defect in the wire, do not attempt installation.

◆ Before starting installation of this fixture or removal of a previous fixture, disconnect the power by turning off the circuit breaker or by removing the fuse at the fuse box.

TOOLS REQUIRED



Ladder



Safety glasses



Electrical tape



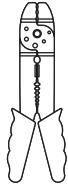
Phillips screwdriver



Flat blade screwdriver

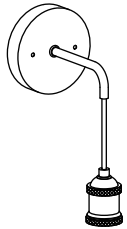


Pliers

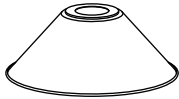


Wire strippers

HARDWARE INCLUDED



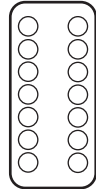
Fixture



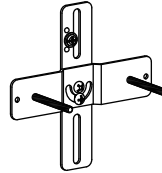
Shade



Bulb



Remote Control



Mounting Unit



Ball Nuts



Mounting Screws



Wire Nuts

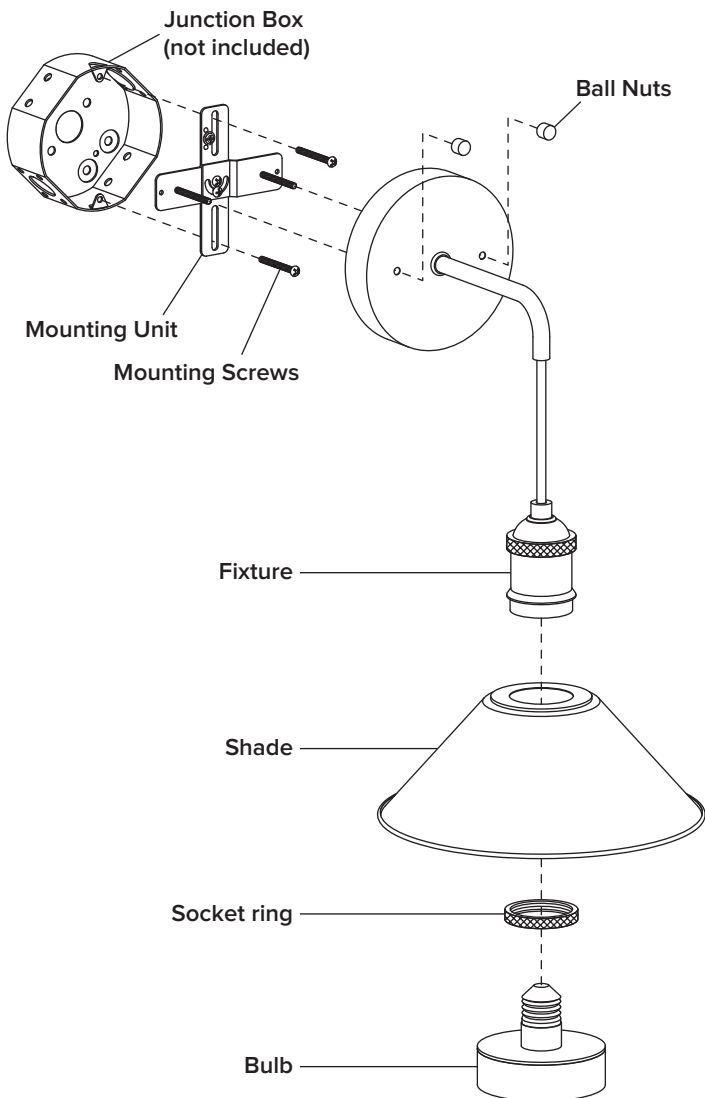
***PARTS SHOWN MAY DIFFER SLIGHTLY PER LIGHT FIXTURE**



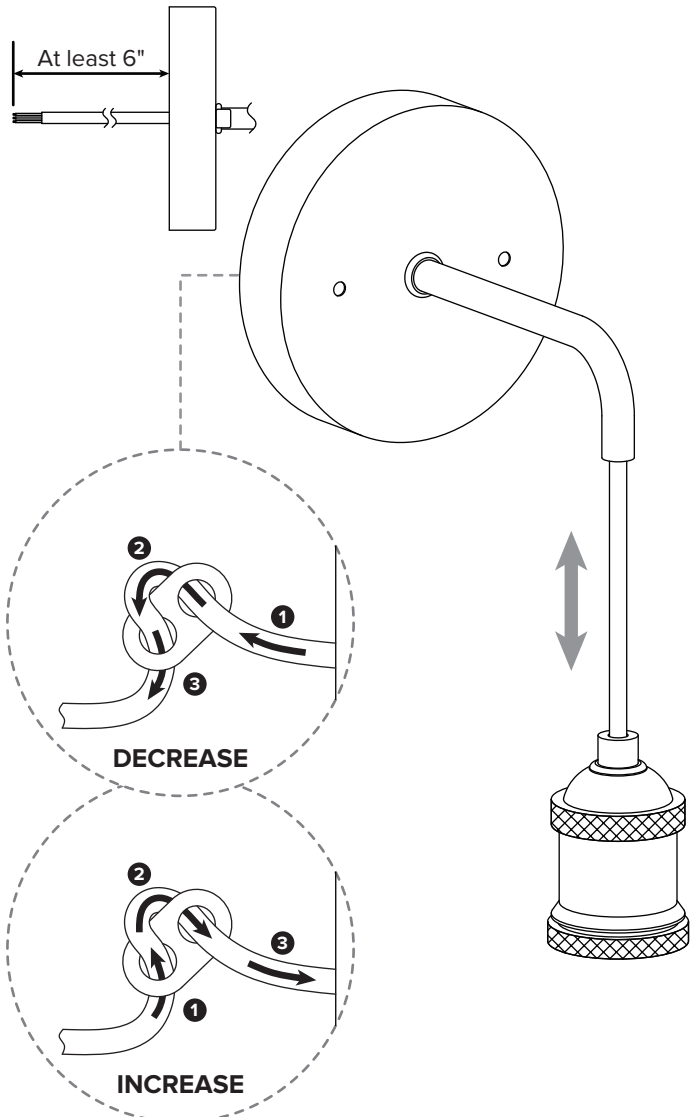
MOUNTING OPTION 1 for using attached bulb that comes with the product.
MOUNTING OPTION 2 for using normal medium base bulb.



EXPLODED PARTS



Adjusting Length of cord (if needed), keep at least 6" of wire after adjustment.

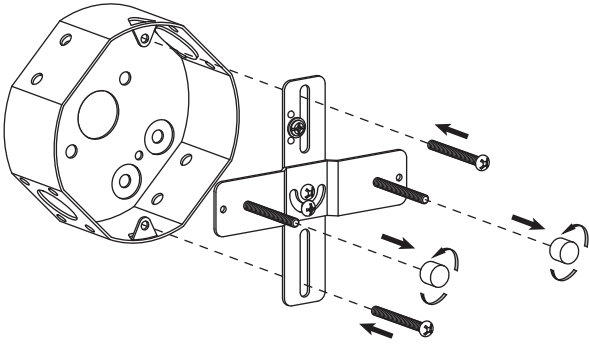


MOUNTING OPTION 1

(For using attached bulb that comes with the product)

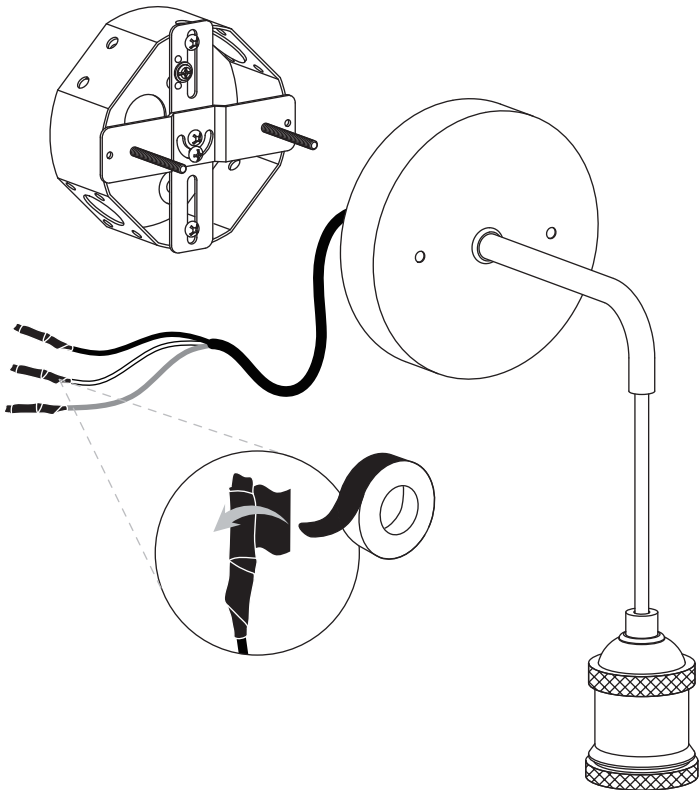
STEP 1a

Unscrew the **ball nuts** from the **mounting unit**.
Use the **mounting screws** to attach the **mounting unit** to the junction box (not included).



STEP 2a

All the wires should wrap with electrical tape (not included).



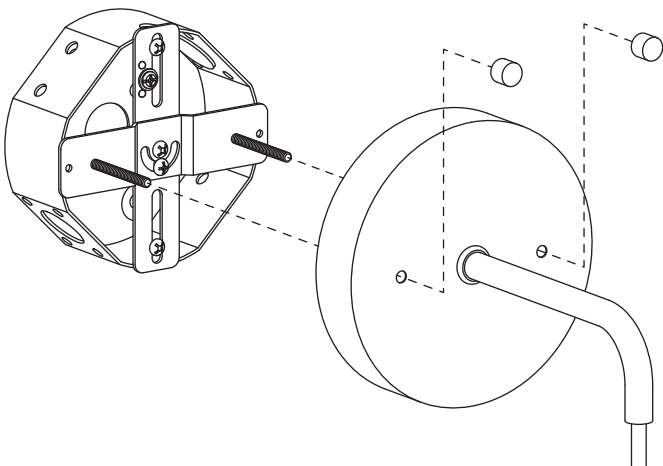
NOTICE



Use the attached bulb that comes with the product and cannot be connected to the household power supply!

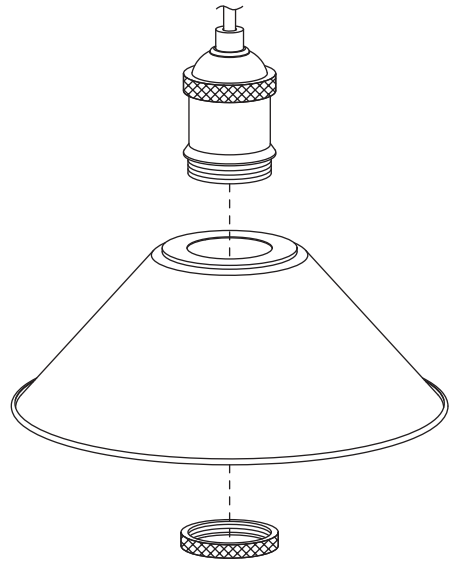
STEP 3a

Attach the **fixture** to the **mounting unit** through screw holes as shown, and secure it with **ball nuts**.



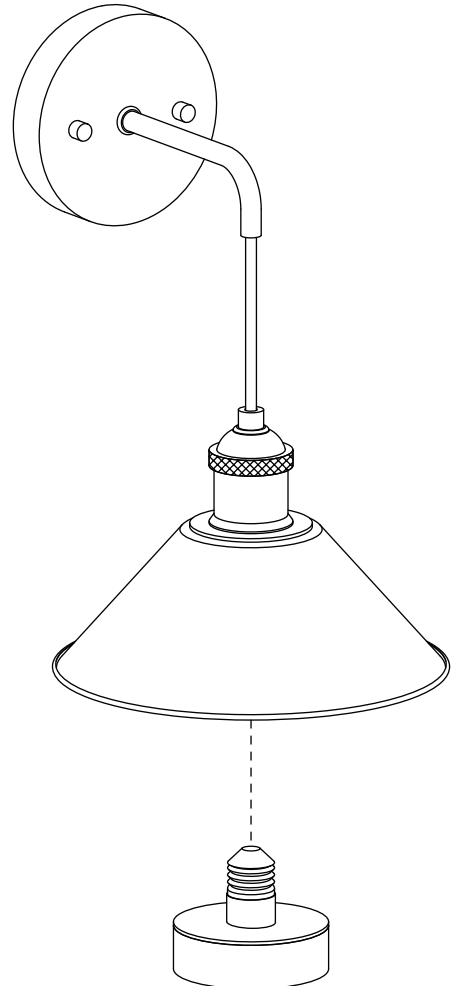
STEP 4a

Remove the **socket ring** from the **fixture**.
Attach the **shade** onto fixture using **socket ring**.



STEP 5a

Install LED bulb or RGB bulb.



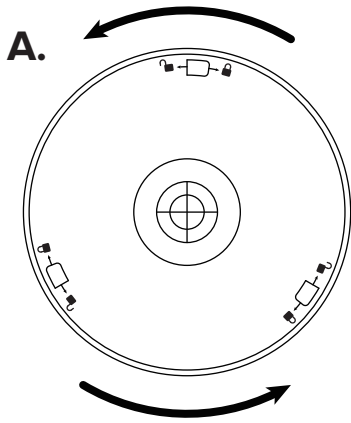
NOTICE



Install the battery (not included) before installing LED bulb or RGB bulb (Look at Fig. 1).

*LED Bulb/ LED Remote Control
*RGB Bulb/ RGB Remote Control

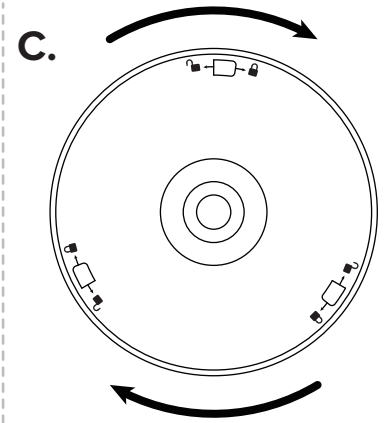
LED BULB / RGB BULB (Fig. 1)



Turn counterclockwise to open the back cover.

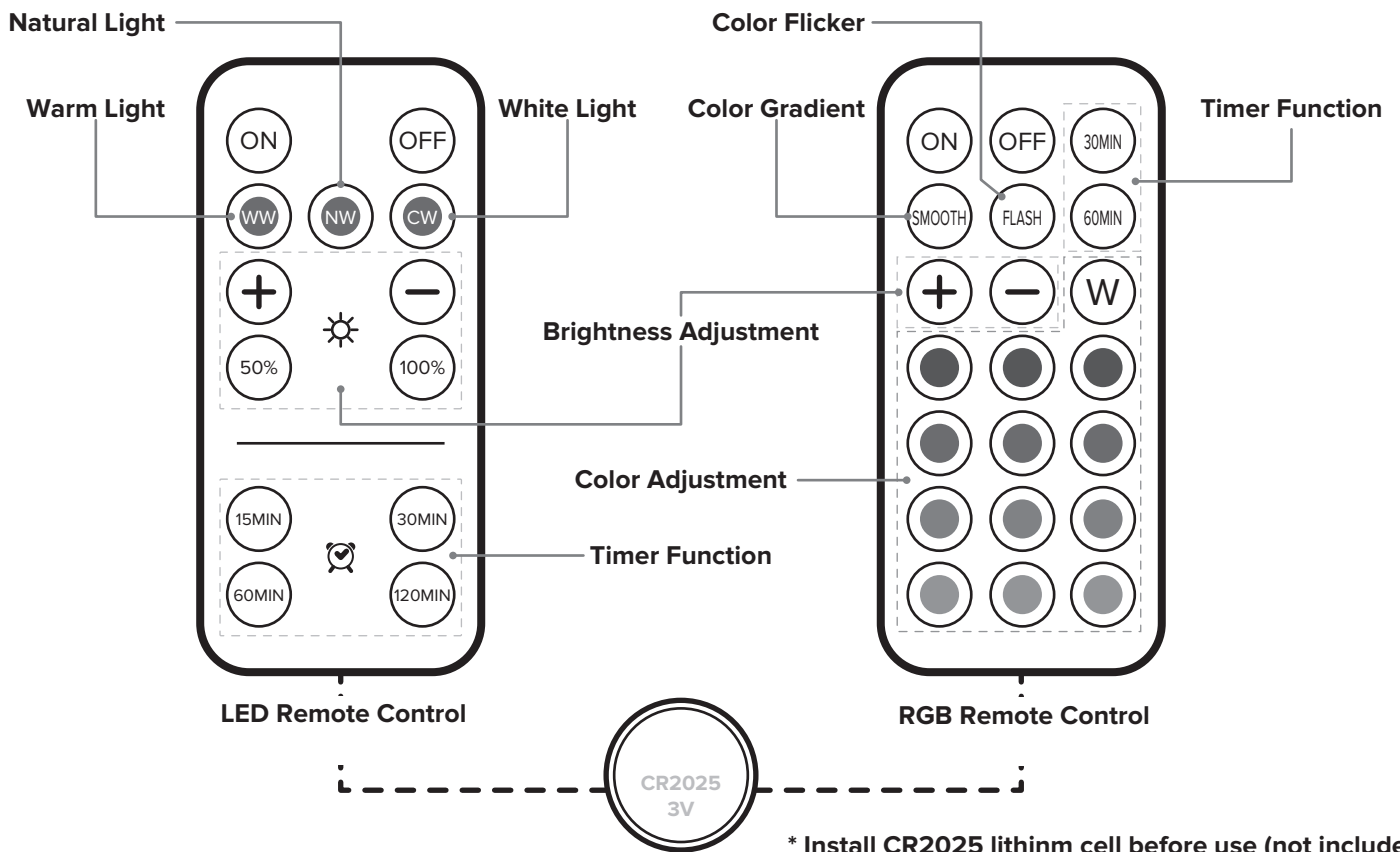


Install 3 AA batteries (not included).



Close the back cover, then turn clockwise to lock

REMOTE CONTROL (Fig. 2)



* Install CR2025 lithinm cell before use (not included).

BASIC FUNCTION

- ◆ The bulb has two control modes: Remote/Press.
- ◆ Install the battery and Lithinm Cell before use the Bulb and Remote Control.
- ◆ Remote control effective distance: 4~6m.
- ◆ This product has a memory function, the default color and brightness when the light is turned off last time.

LAMP LIGHT

- ◆ LED bulb: A short click on the lamp shade will successively Warm light → White light → Natural light → Turn off the lamp.
- ◆ RGB bulb: A short click on the lamp shade will successively Warm light → Red → Green → Purple → Turn off the light.
- ◆ Remote Control: After pressing ON to turn on the light, press the light (color) button to choose what you want.

ADJUST BRIGHTNESS

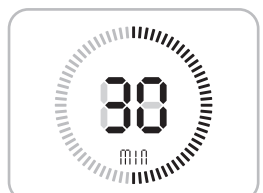
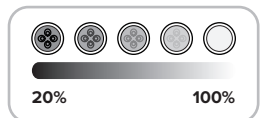
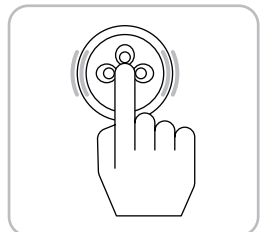
- ◆ LED bulb / RGB bulb:
In the case of light, long press the lamp shade brightness will gradually dim or gradually brighten.
- ◆ Remote Control:
Press ON to turn on the light, press "+", "-" according to the light brightness you need;
Or "50%", "100%" (these two buttons are only available in LED Remote Control) buttons for adjustment.

TIMER FUNCTION

- ◆ Press the timing button of the remote control to set, the Bulb will be extinguished when the set time is reached.

OTHER FUNCTION(only RGB Remote Control available)

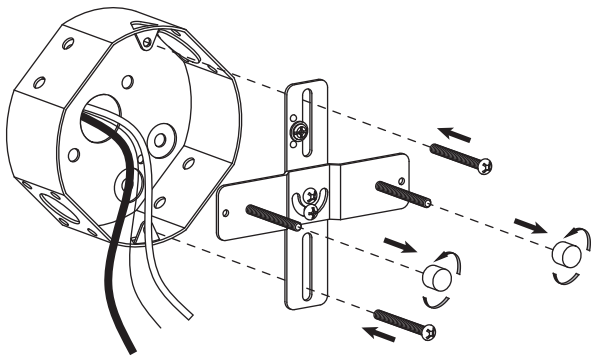
- ◆ SMOOTH button: Full color cycle gradient (cannot change brightness).
- ◆ FLASH button: According to the brightness of the current light, all colors blink in a cycle (the brightness cannot be changed).



MOUNTING OPTION 2 (For using normal medium base bulb)

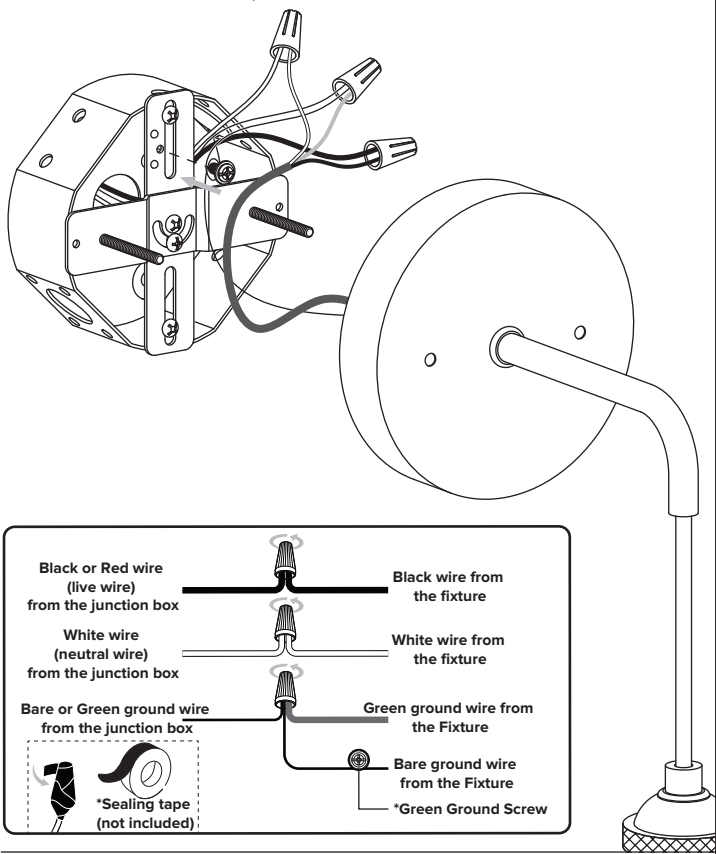
STEP 1b

Unscrew the **ball nuts** from the **mounting unit**.
Use the **mounting screws** to attach the **mounting unit** to the junction box (not included).



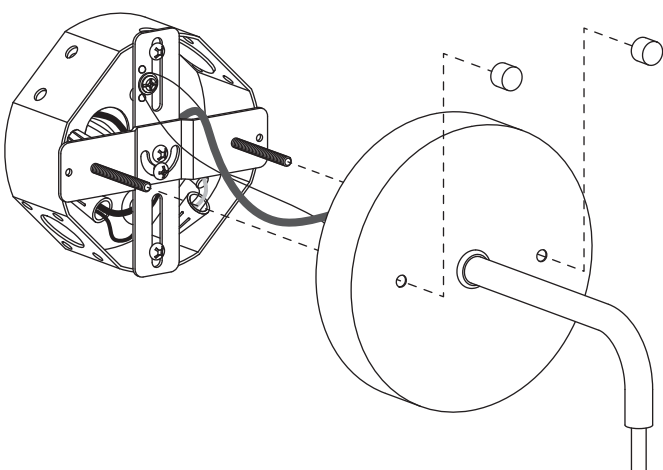
STEP 2b

Make the electrical connection from the junction box (not included) to the **fixture**. Connect the ground wire to the **mounting unit** using the preinstalled green ground screw. Next, connect the live wire, neutral wire and ground wires with the supplied **wire nuts**. Secure with electrical tape.



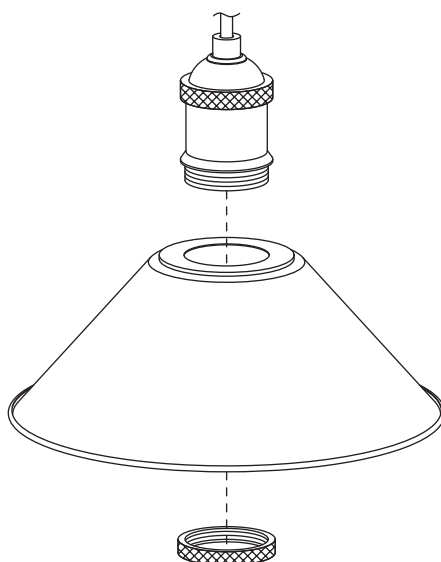
STEP 3b

Attach the **fixture** to the **mounting unit** through screw holes as shown, and secure it with **ball nuts**.



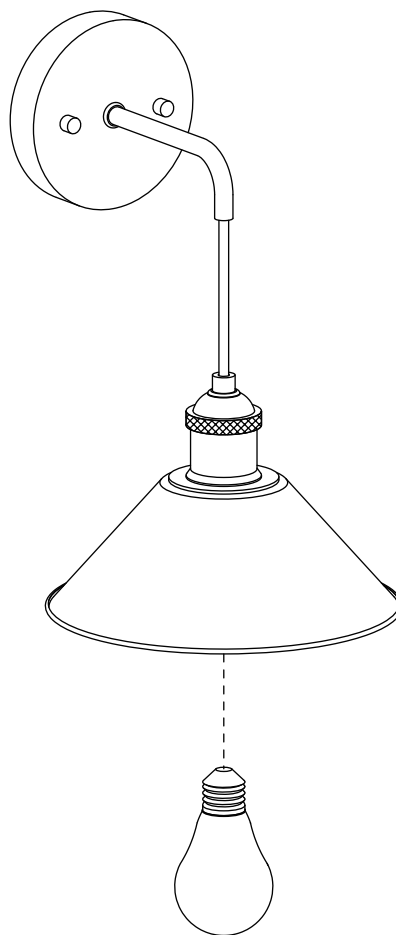
STEP 4b

Remove the **socket ring** from the **fixture**.
Attach the **shade** onto fixture using **socket ring**.



STEP 5b

Install bulb (not included).



The attached bulb that come with the product cannot be used in this mounting option!



NOTICE



Disconnect the power supply when installing, removing and replacing the Bulb.



This product can be used with 1 base type medium bulb (not included), please turn on the power supply of the connected lamp after installation. See relamping label at socket area or packaging for maximum allowed wattage.