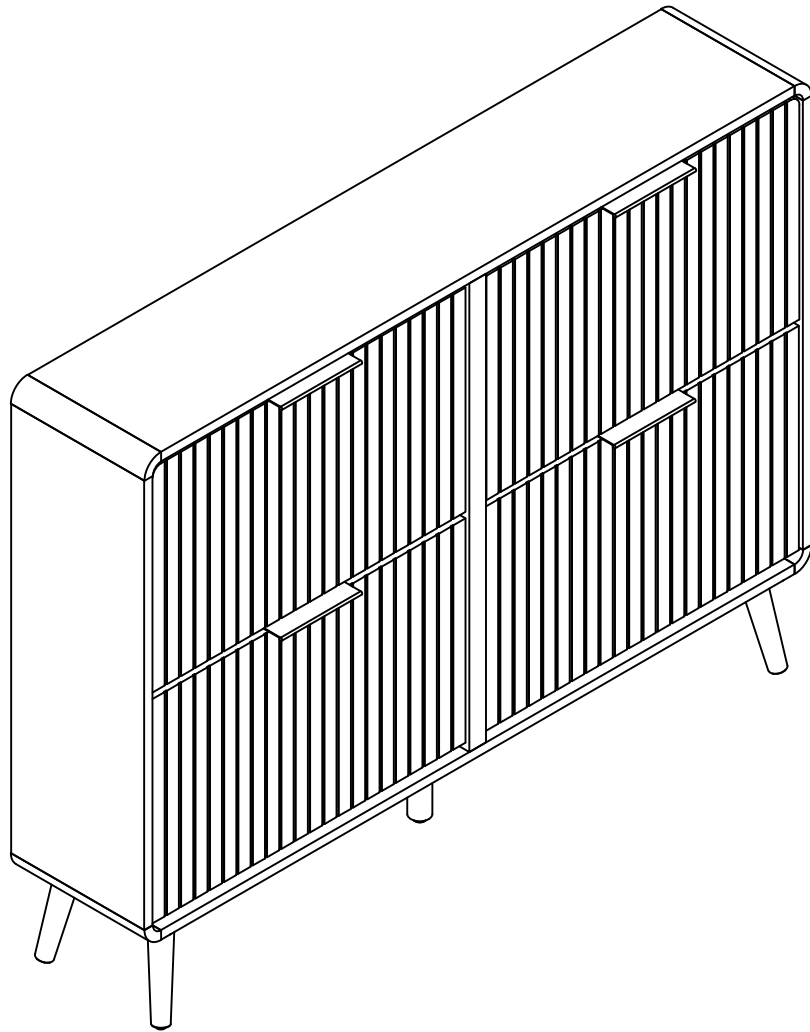


# Installation Instruction



# Assembling

---

Estimated time for assembly

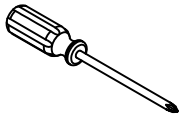


**45 : 00**

---

## What you need

- Use the packaging carton as a working surface to prevent product damage during assembly
- Phillips head screwdriver



## Weight Limitation

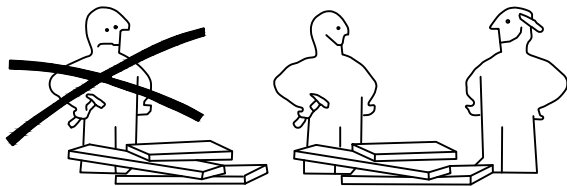


**100**

lbs table top

**35**

lbs per



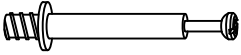
# What' included

---

Code	Description	Qty
A	Cam Bolt M6X35MM	22
B	Cam Lock 15X10MM	22
C	Wooden Dowel M8X30MM	10
D	Screw M4X40MM	6
E	The screw M3.5X14MM	58
F	Inner Shaft	8
G	Stopper	8
H	External Shaft	8
I	The screw M3.5X14MM	24
J	Left Plastic Holder	4
K	Right Plastic Holder	4
L	Adjustable foot pads	1
M	Metal shake handhandle	4
N	Screw M4X10MM	8
O	The metal plate	4
P	Anchor	2
Q	The metal plate	1
R	Metal connector	2
S	Self-adhesive hole sticker	22
T	MATS	4

# The Hardwares

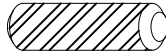
A



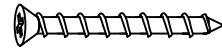
B



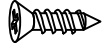
C



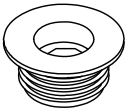
D



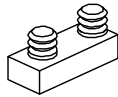
E



F



G



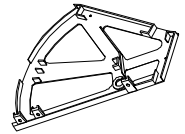
H



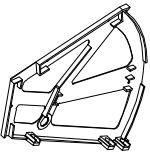
I



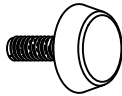
J



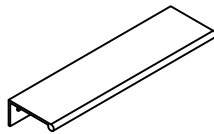
K



L



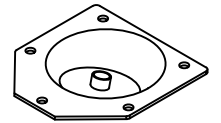
M



N



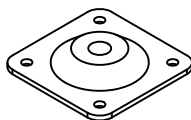
O



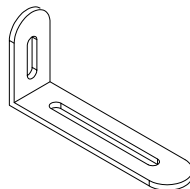
P



Q



R



S



T



## IMPORTANT:

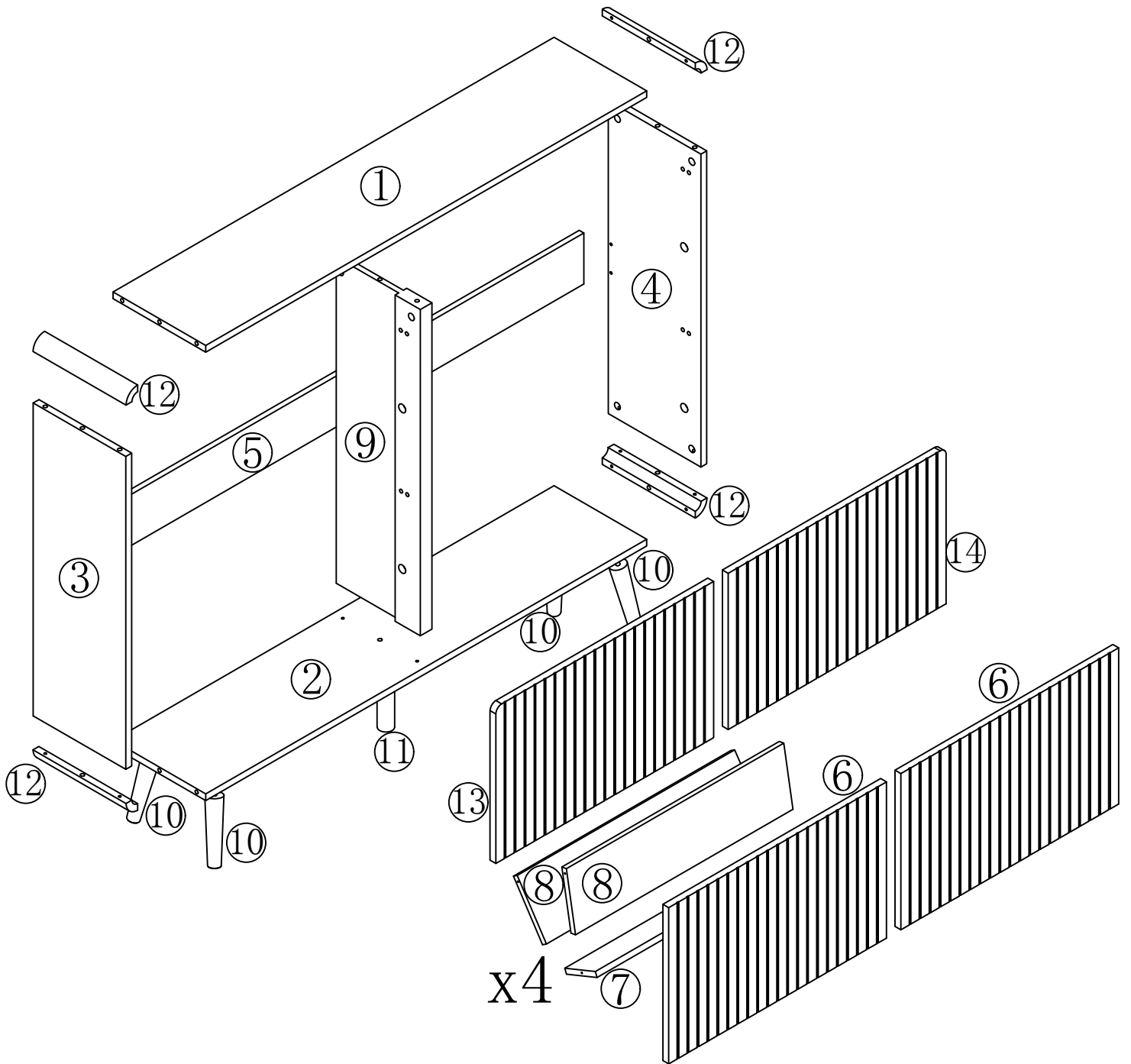
1. Do not tighten bolts / screws completely until all bolts / screws are lined up and inserted into holes.
2. Do not over tighten screws and bolts to avoid stripping
3. Please use hand tools to assemble this product. Do not use power tools.

# Included Accessories

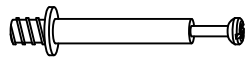

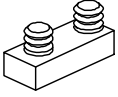
---

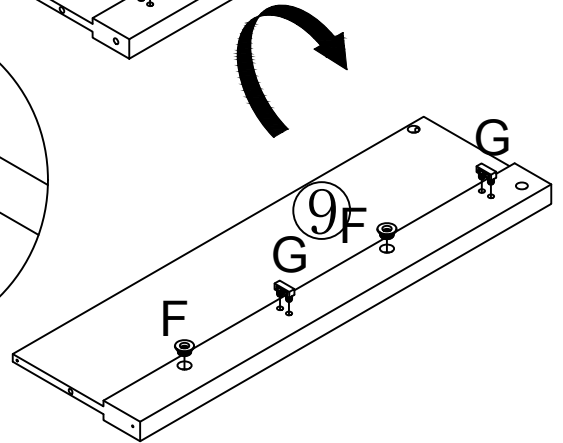
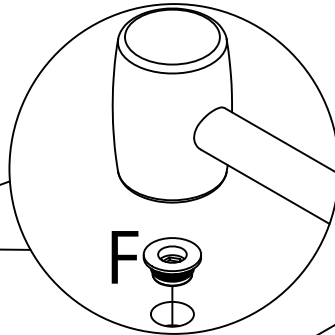
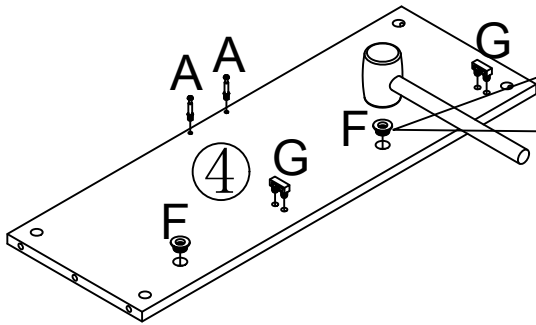
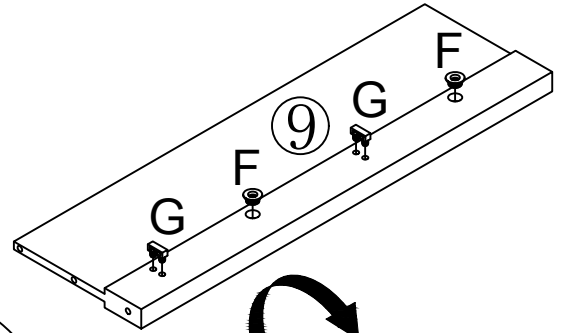
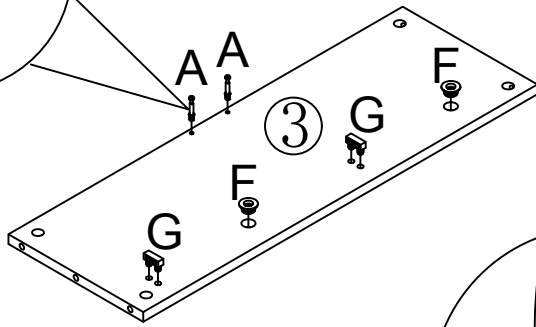
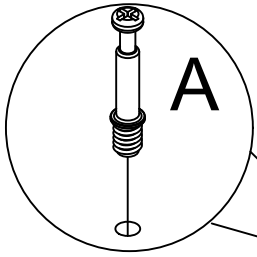
Code	Description	Qty
1	Cabinet Top	1
2	Bottom Panel	1
3	Left Side Panel	1
4	Right Side Panel	1
5	Back stiffener	1
6	Bottom door panel	2
7	Inner lamella	4
8	Large inner plate	8
9	Middle Division Panel	1
10	Solid wood feet	4
11	Medium solid wood feet	1
12	Arc connecting plate	4
13	Top left side door	1
14	Upper left side door	1

# The Accessoriss


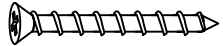



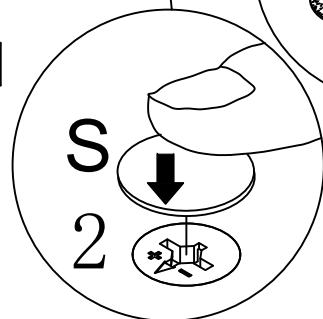
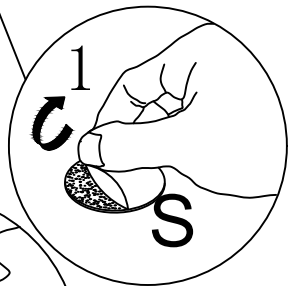
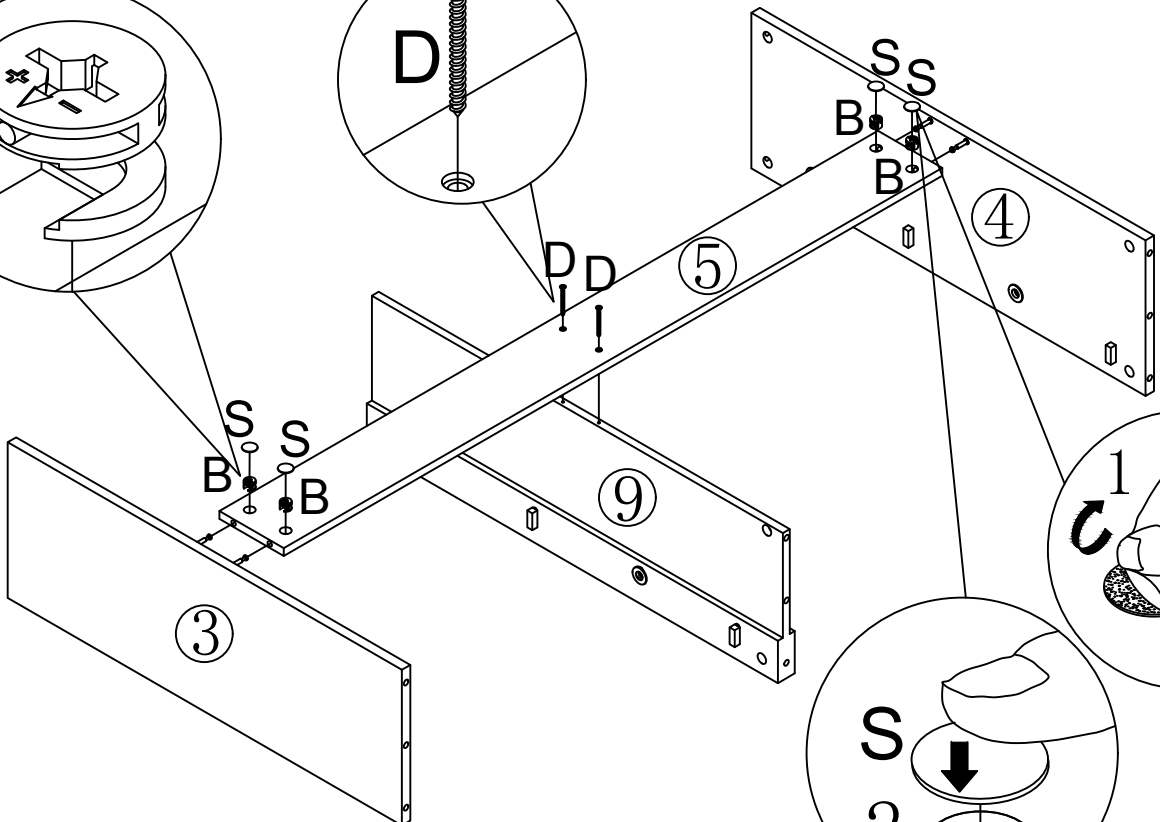
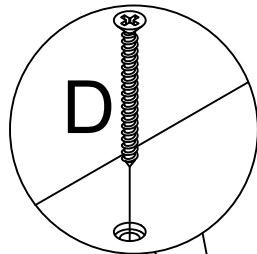
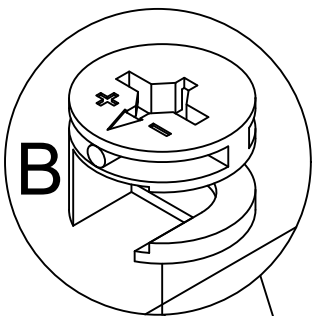
# Step 1

A	×4	F	×8	G	×8
					

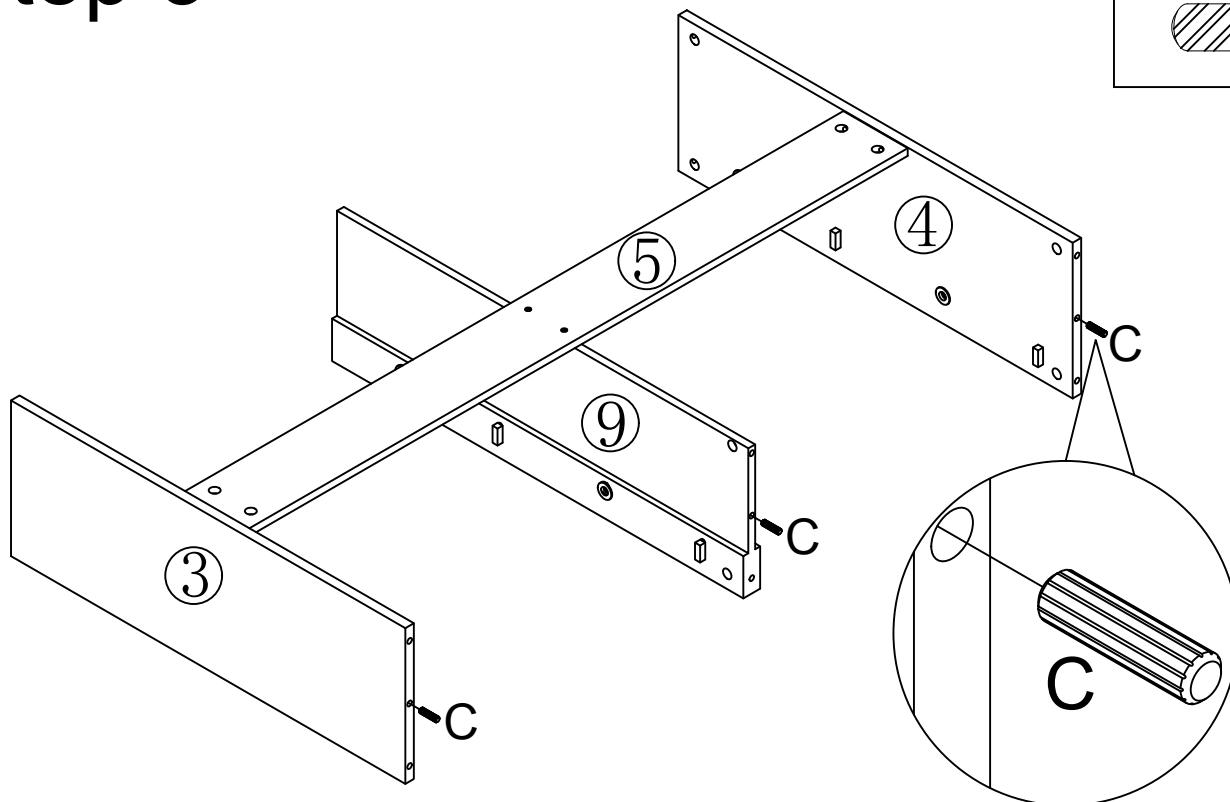
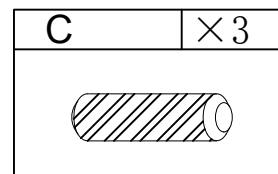


# Step 2

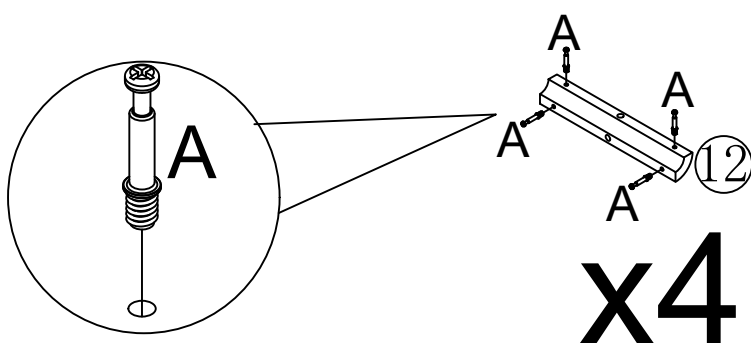
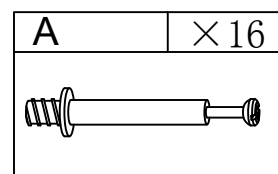
B	×4	D	×2	S	×4
					



# Step 3

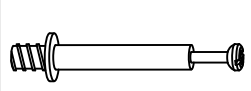





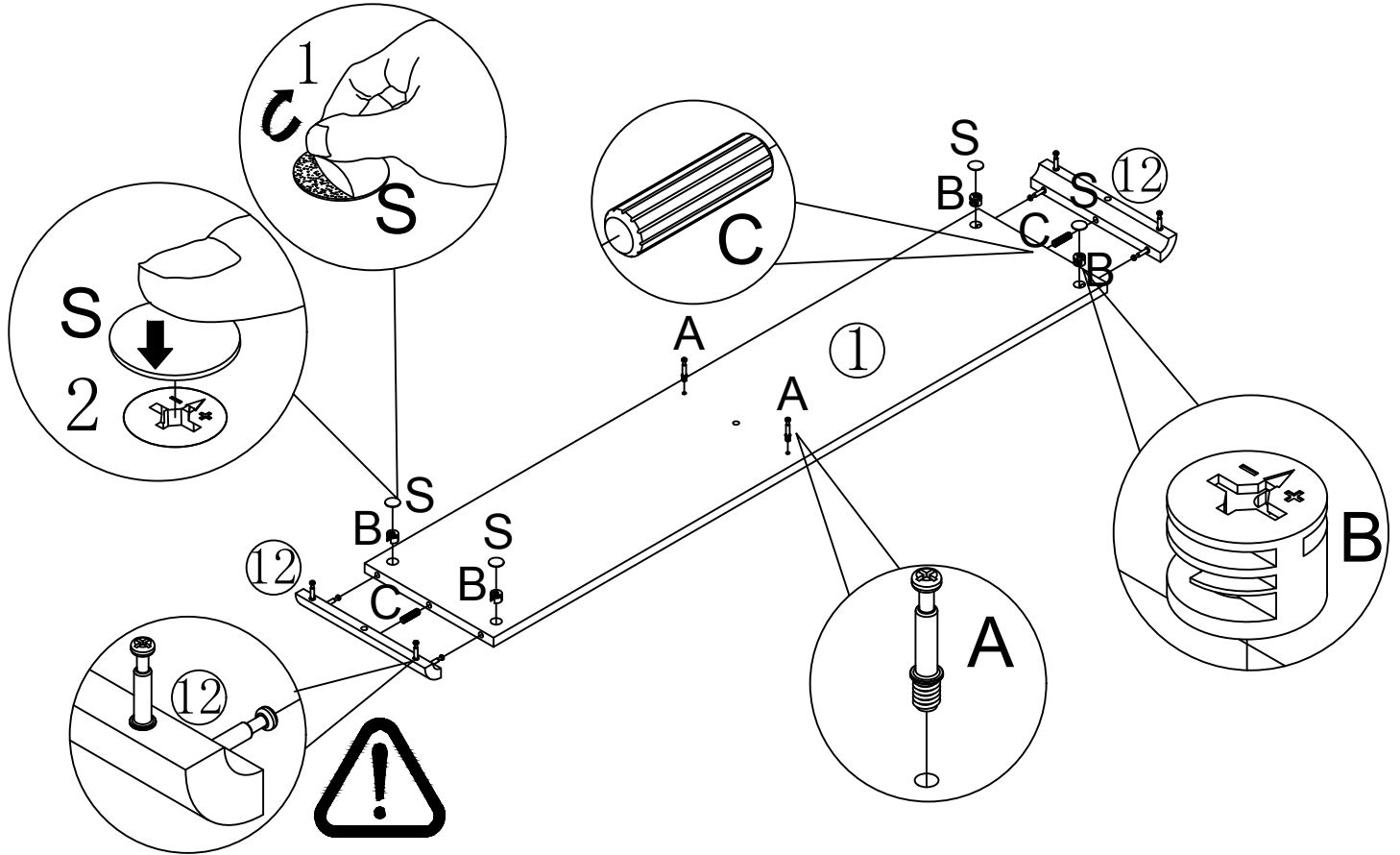
# Step 4





In this step, be careful not to break the No. ⑫ lock on the lock hardware A

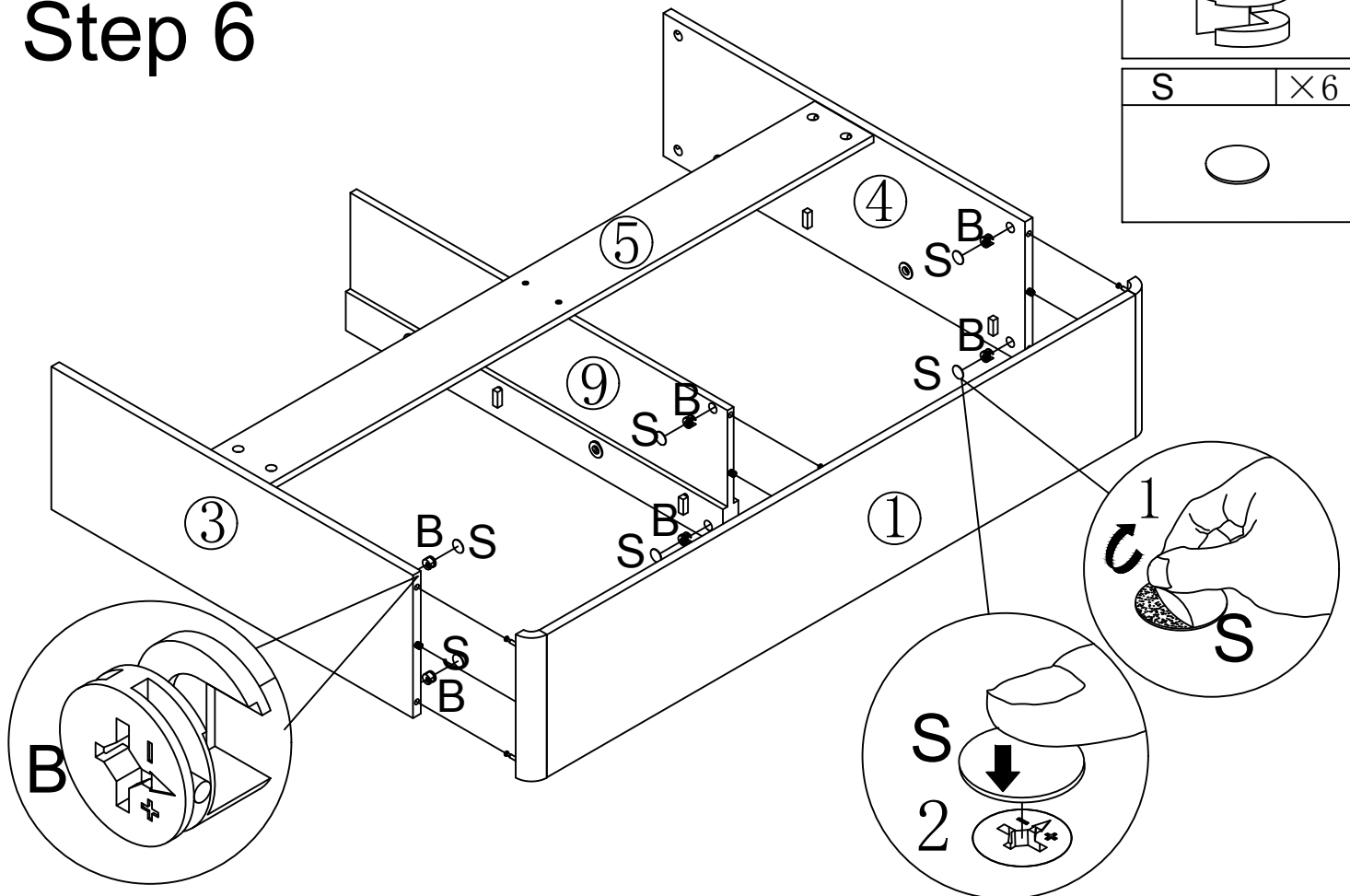
# Step 5

A	×2	B	×4	C	×2	S	×4
							

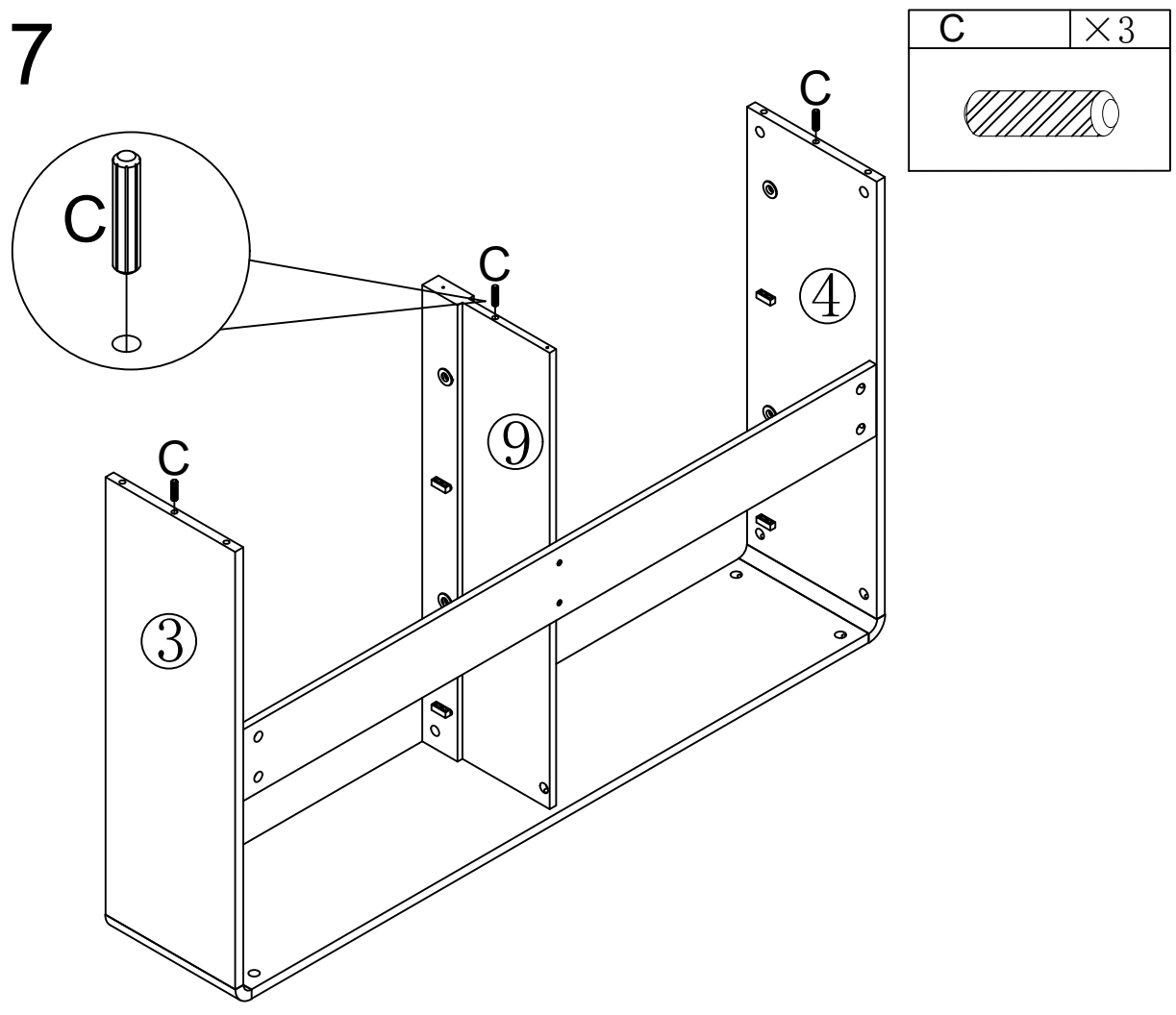


# Step 6

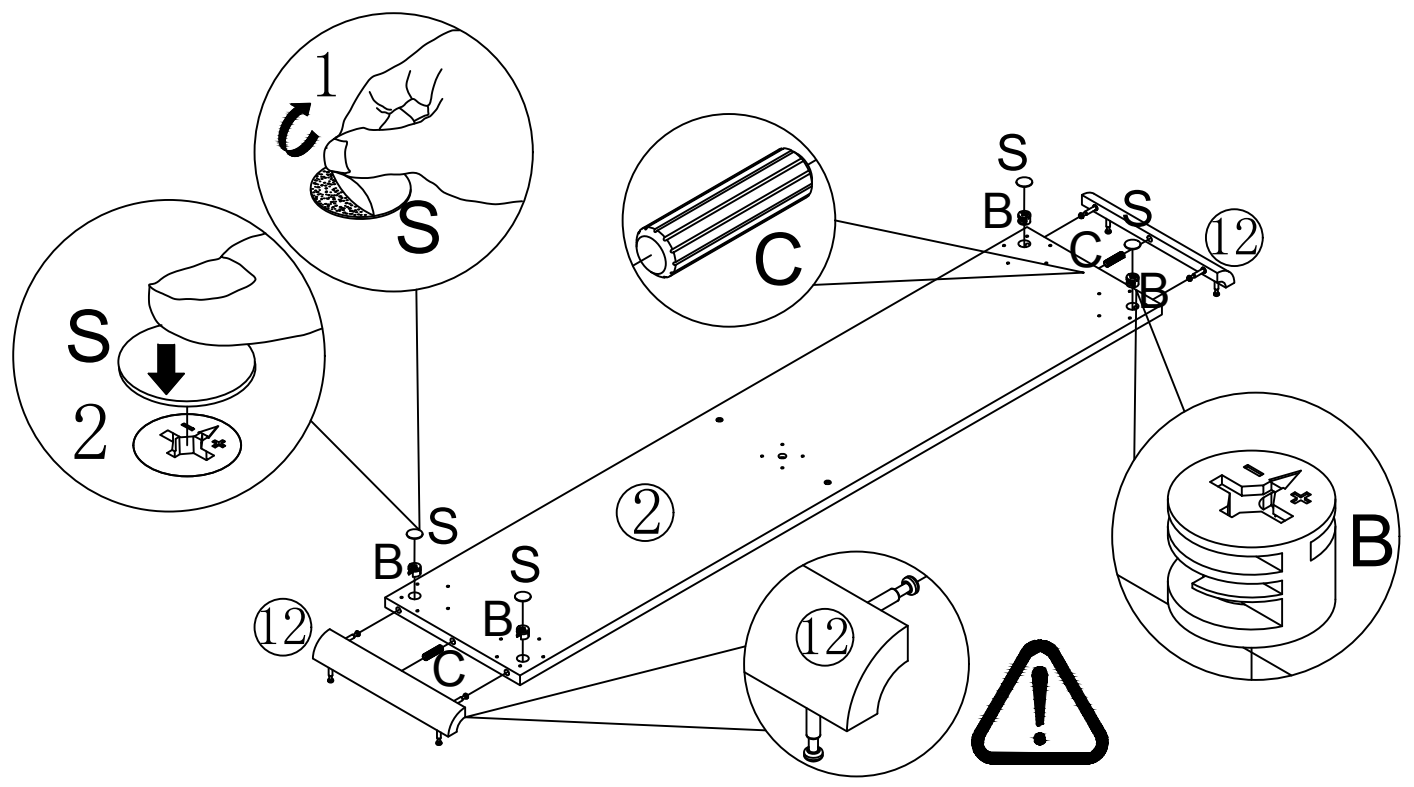
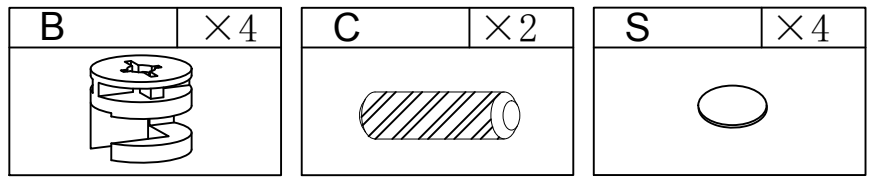
B	×6	S	×6
			




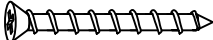

# Step 7

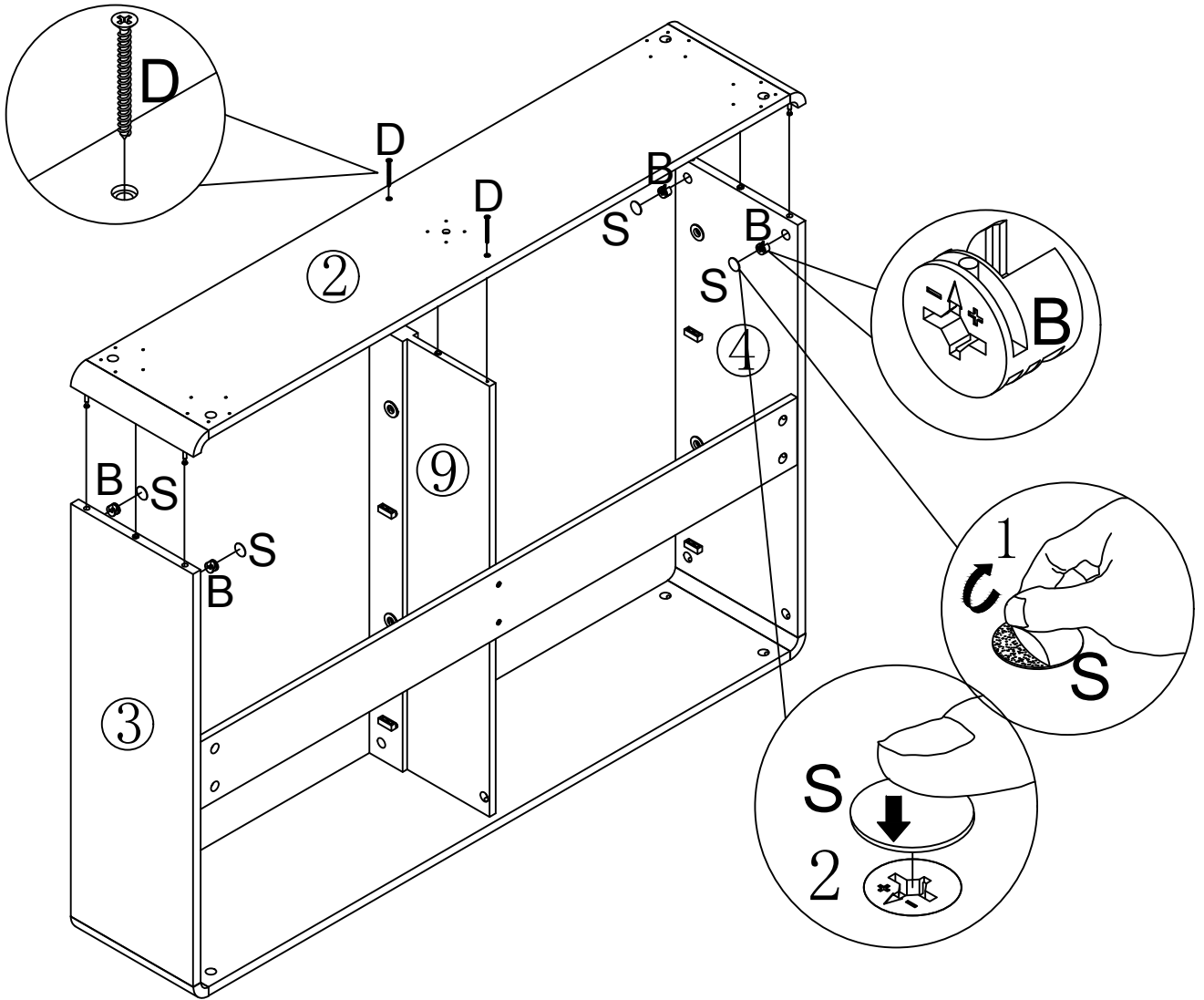


# Step 8

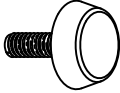



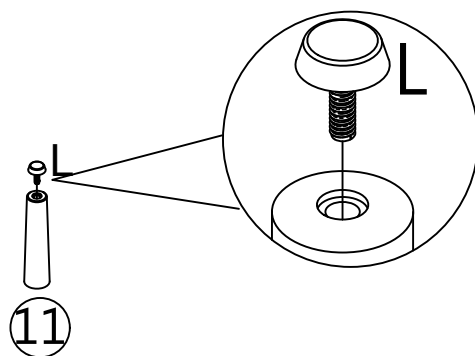
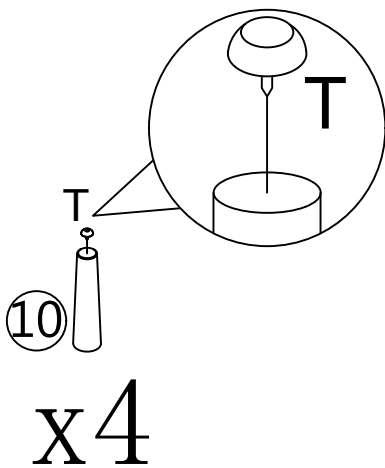
# Step 9

B	×4	D	×2	S	×4
					


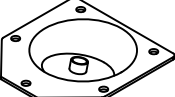
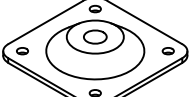


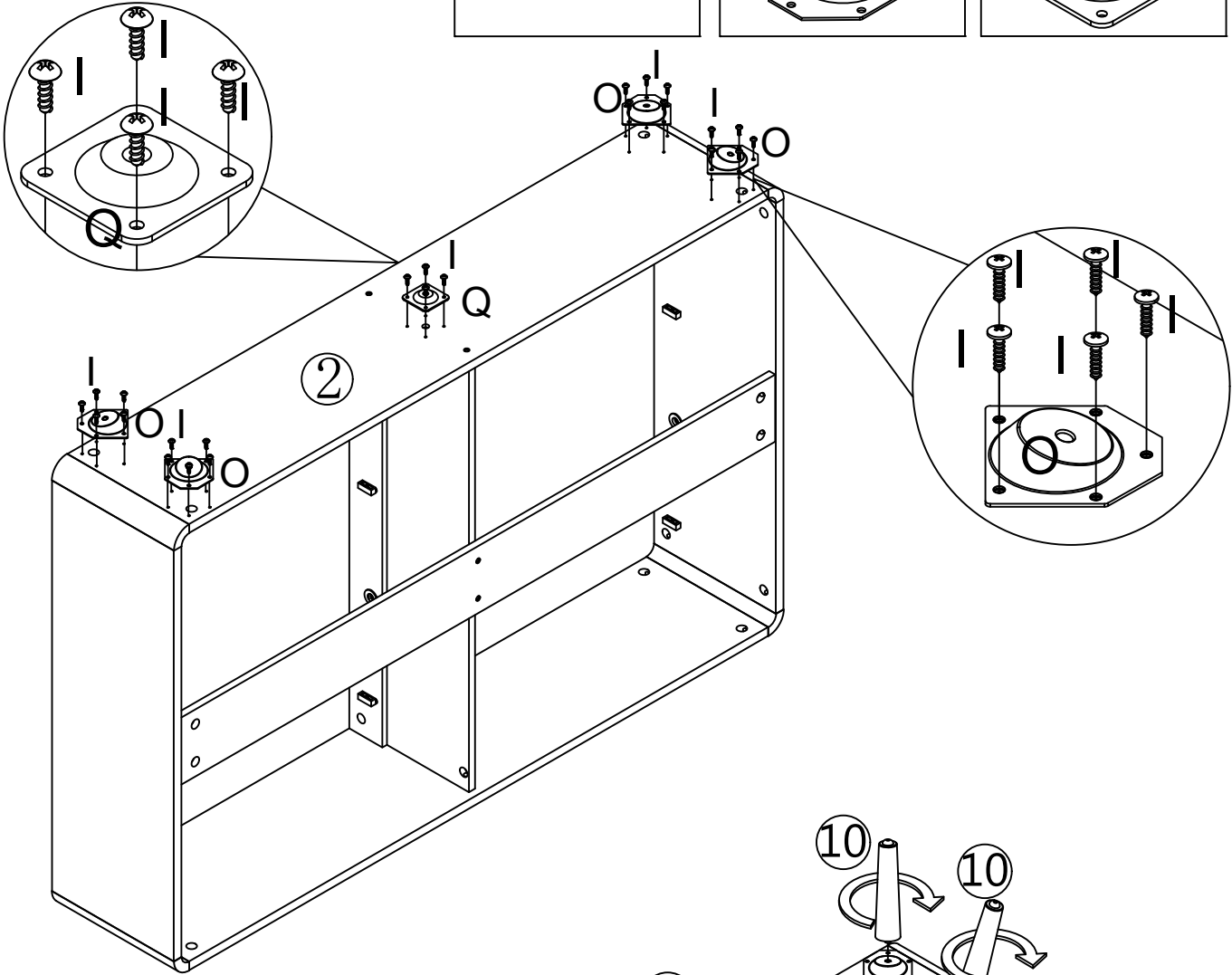
# Step 10

L	×1	T	×4
			

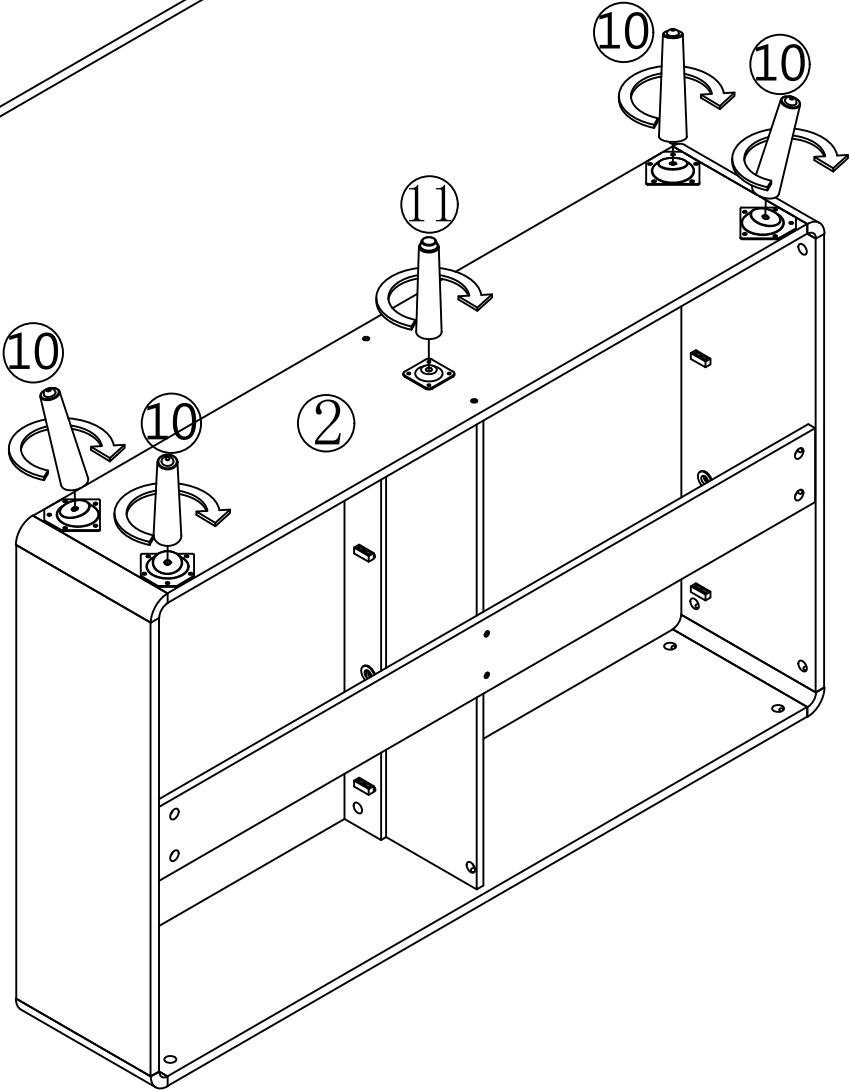


# Step 11

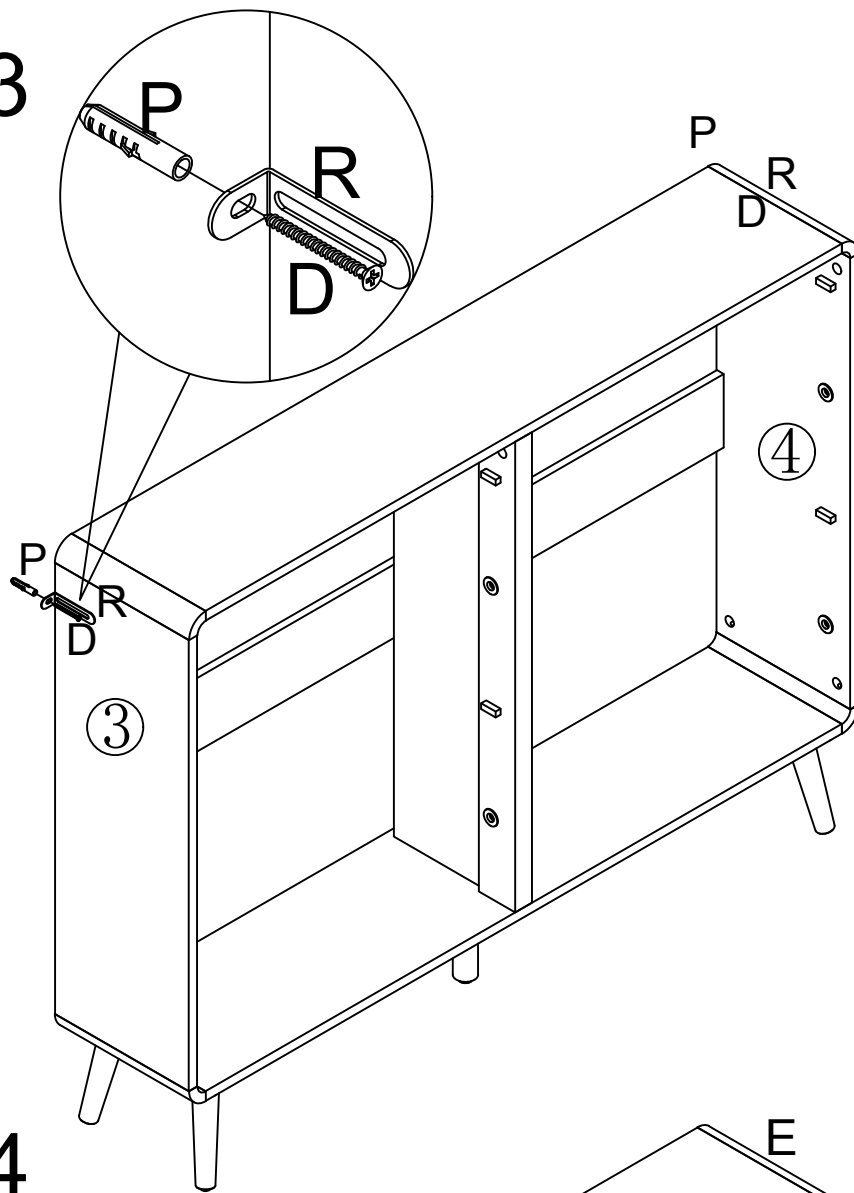
I	×24	O	×4	Q	×1
					



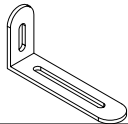


# Step 12

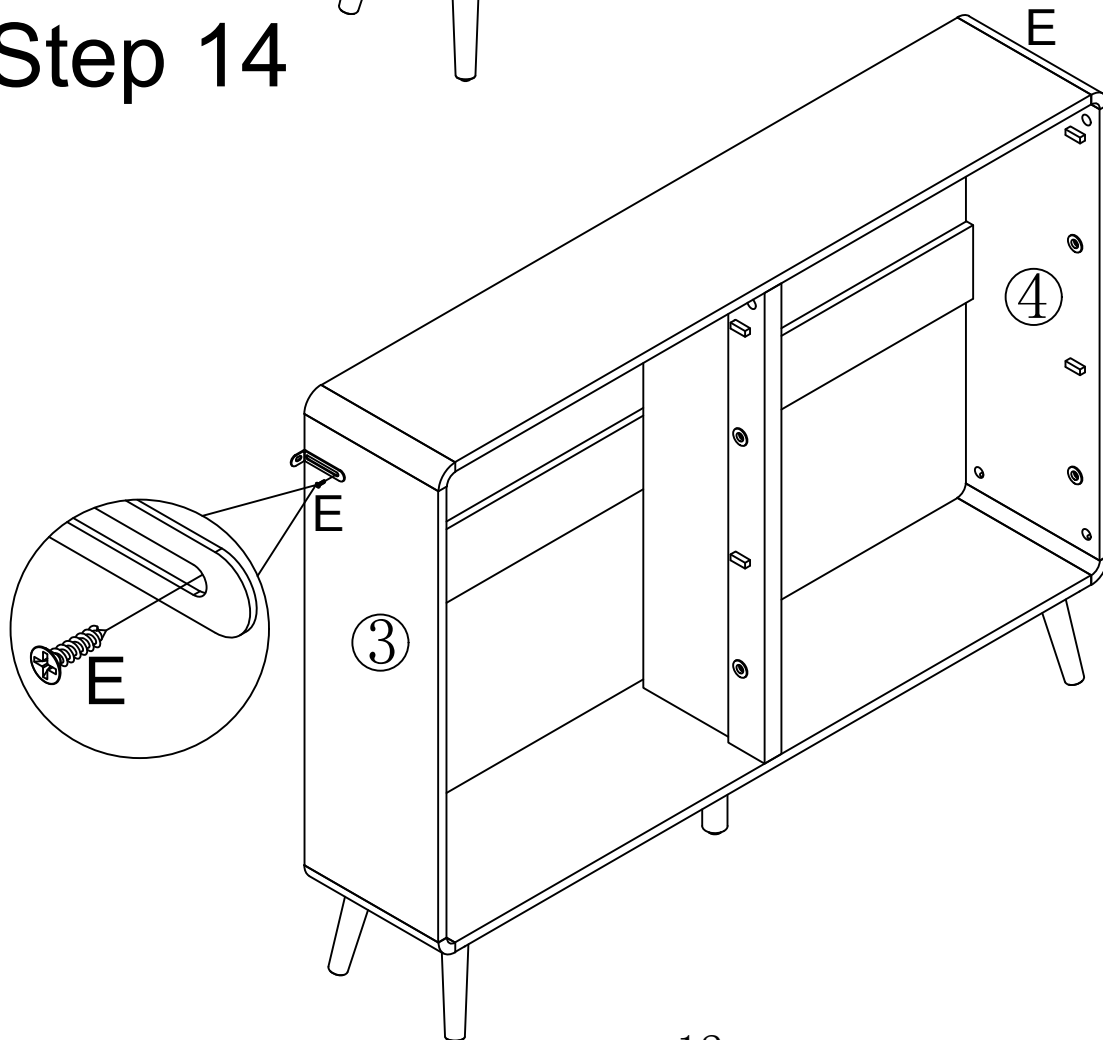



# Step 13



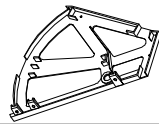
D	×2
	
P	×2
	
R	×2
	


# Step 14




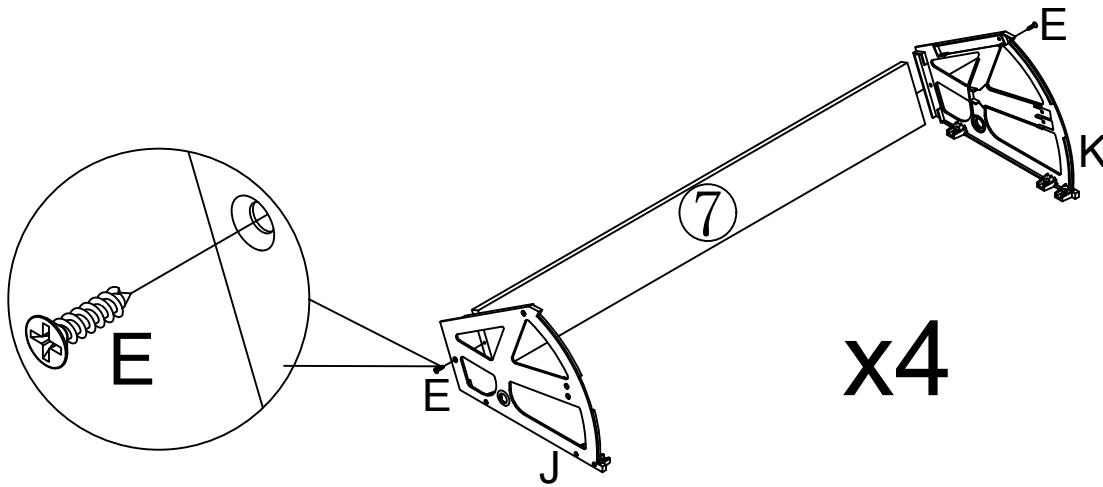
E	×2
	

# Step 15


J	×4
	

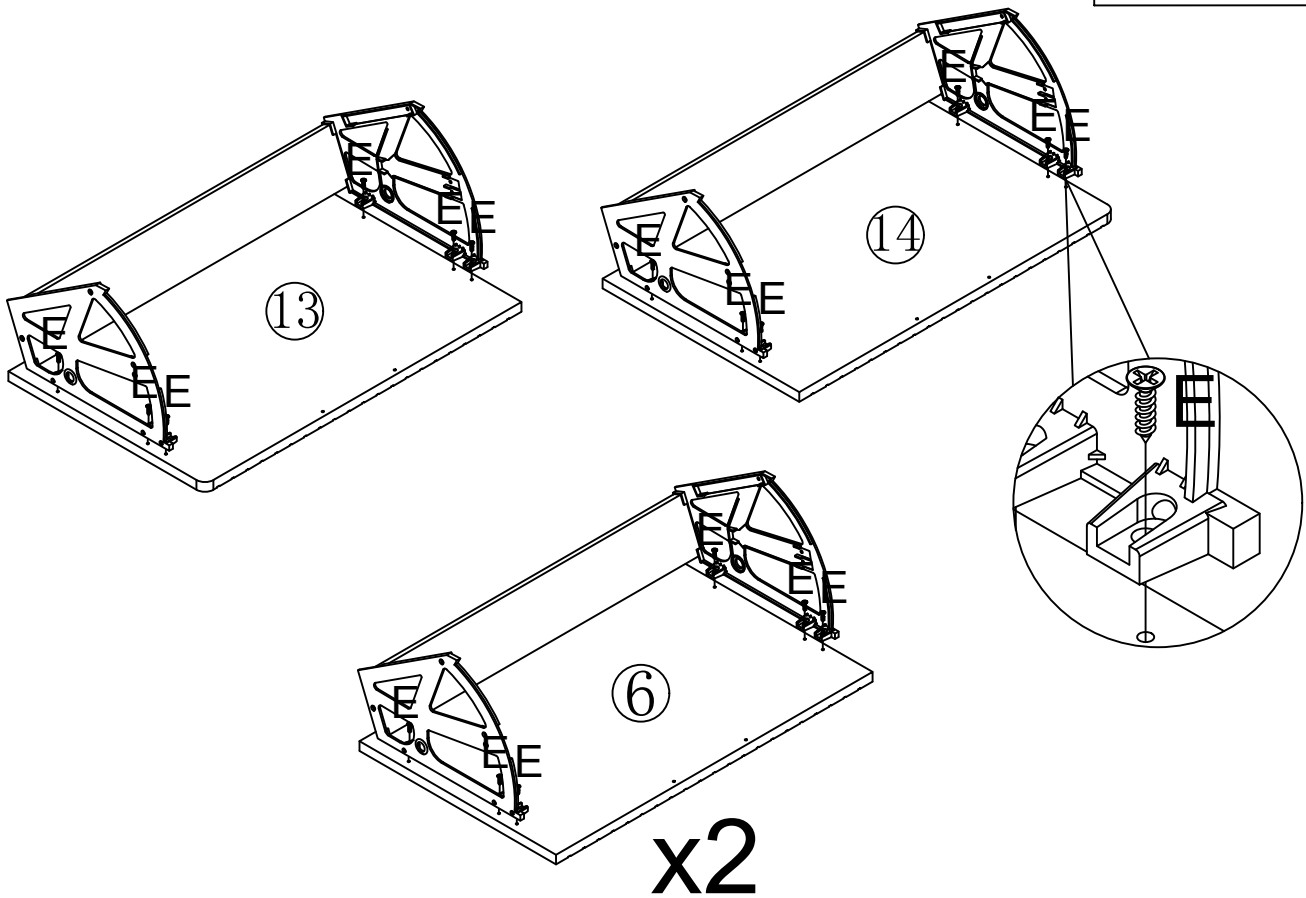
K	×4
	

E	×8
	

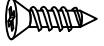


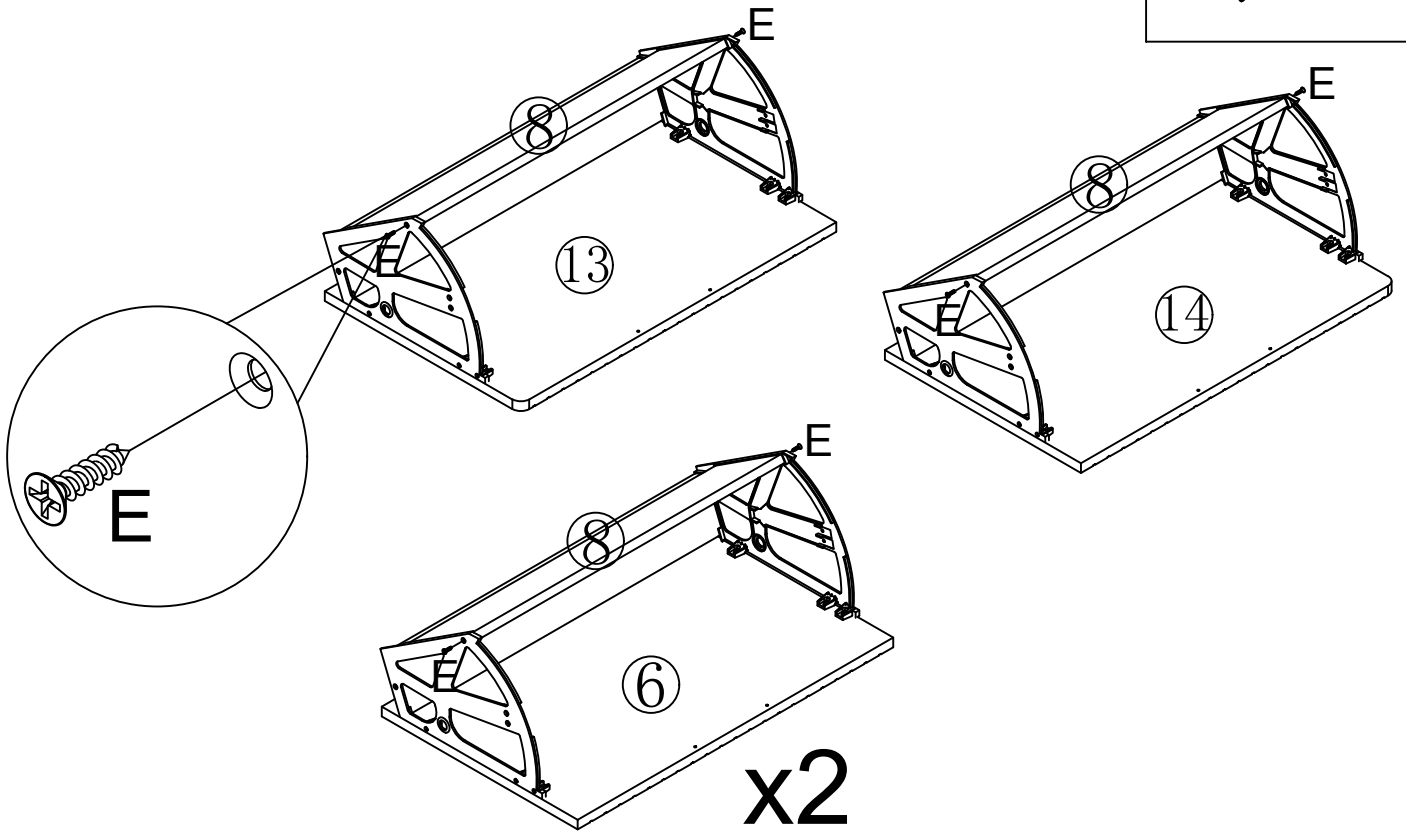
# Step 16

E	×24
	


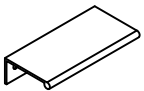


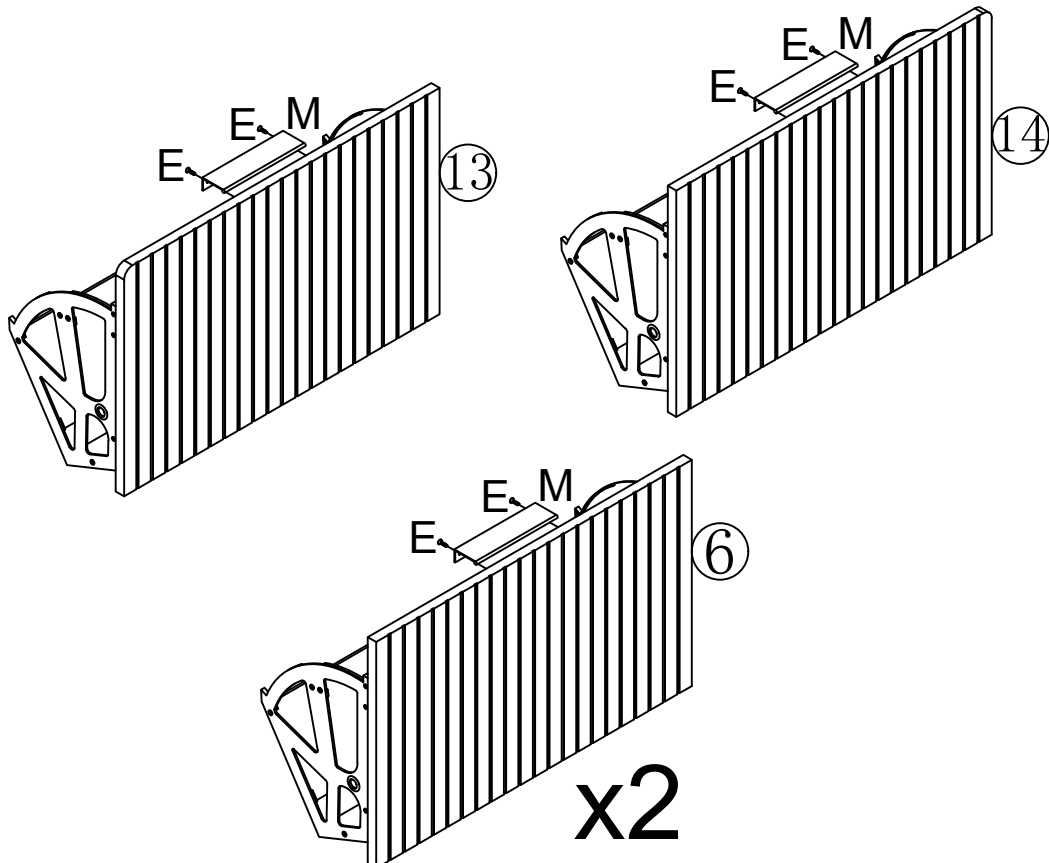
# Step 17

E	×8
	

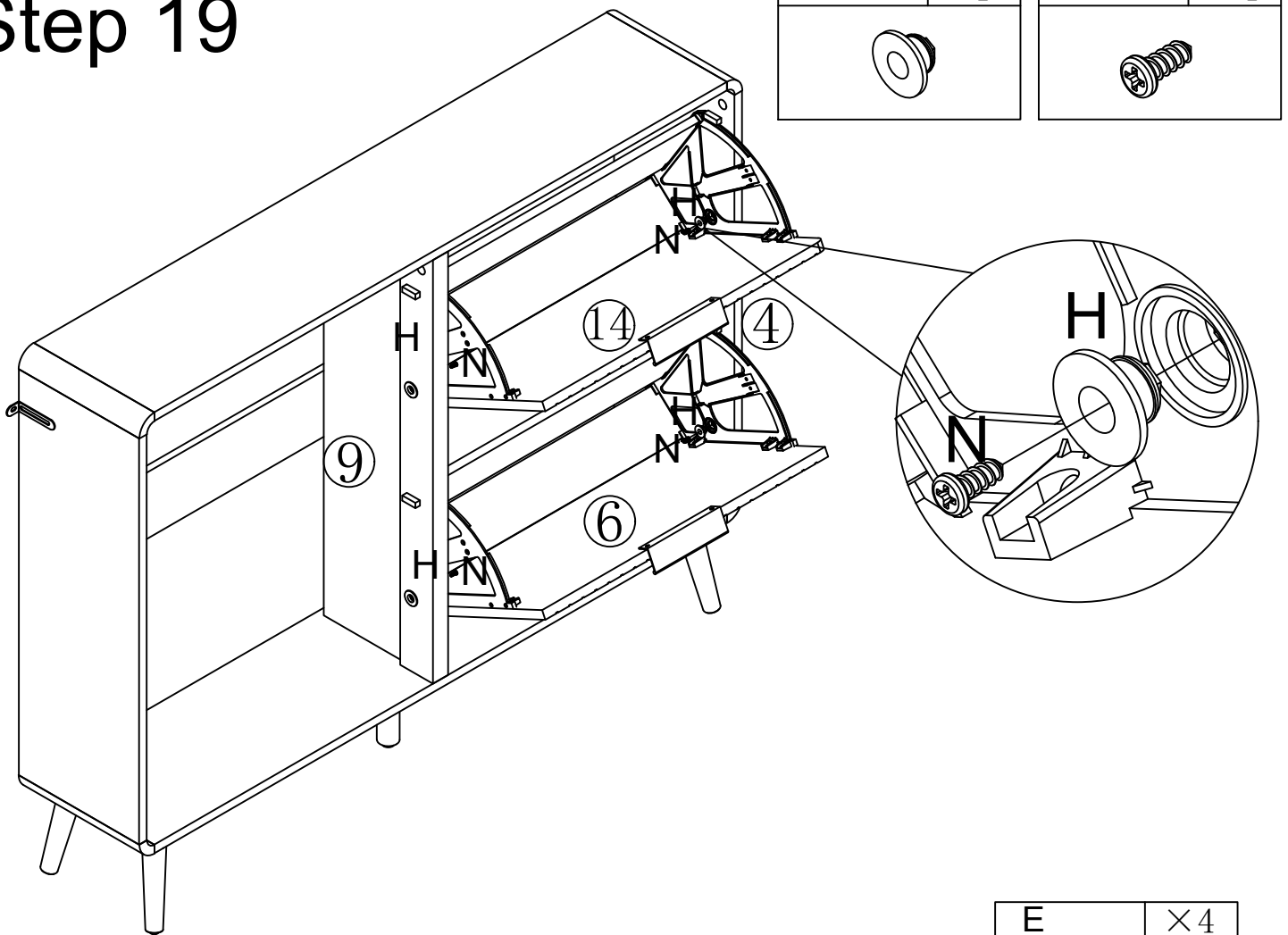


# Step 18

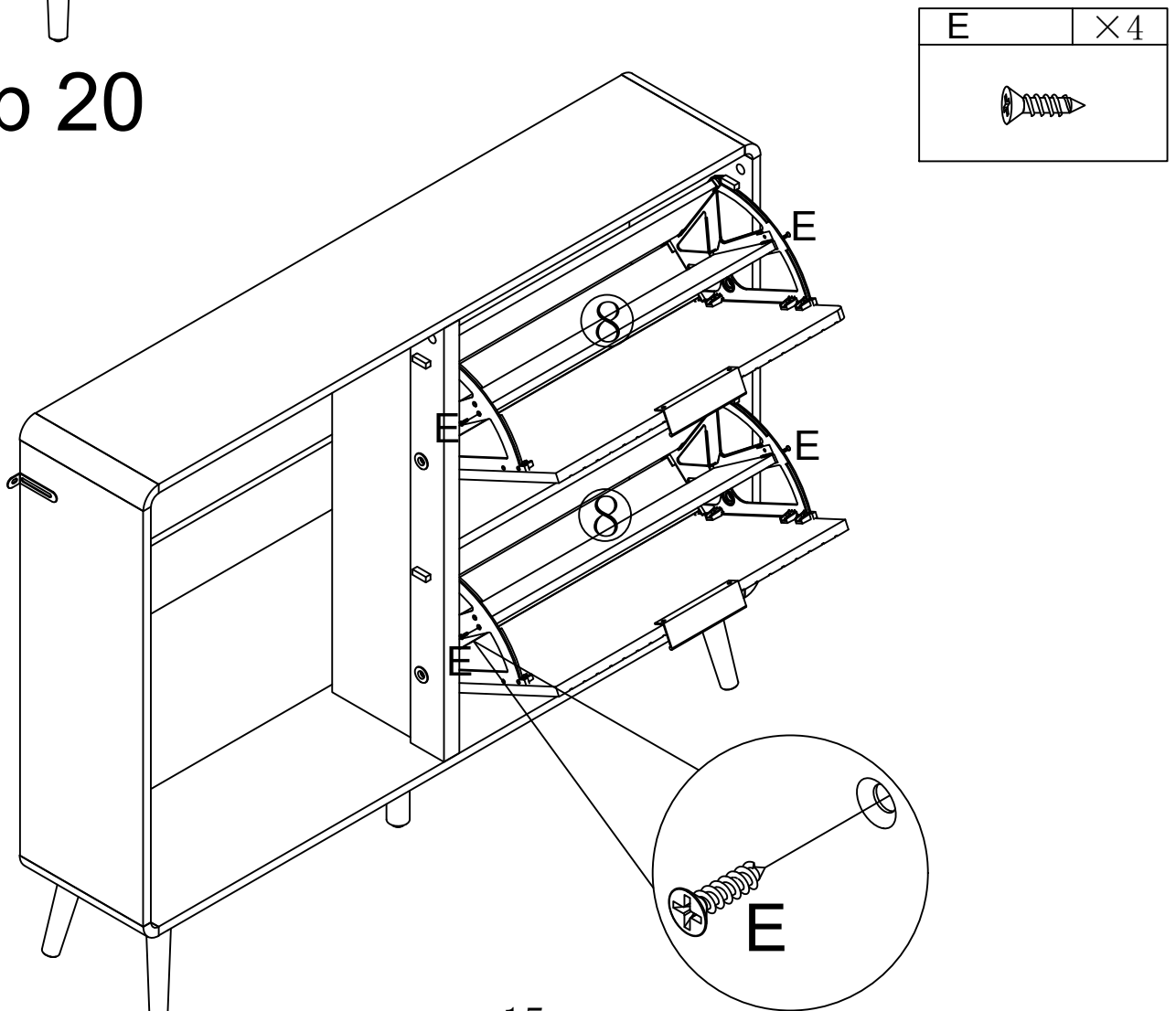
E	×8	M	×4
			





# Step 19

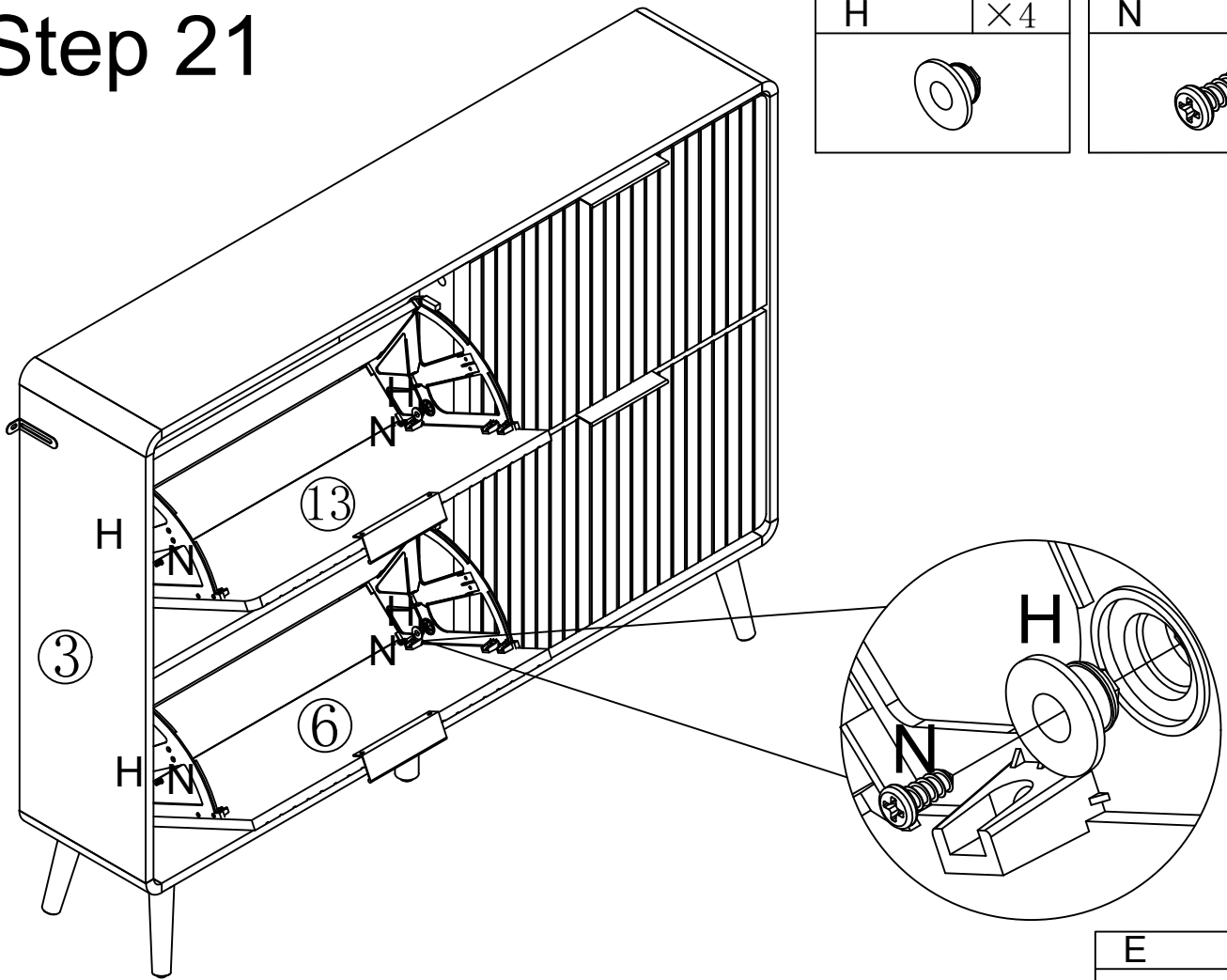


# Step 20




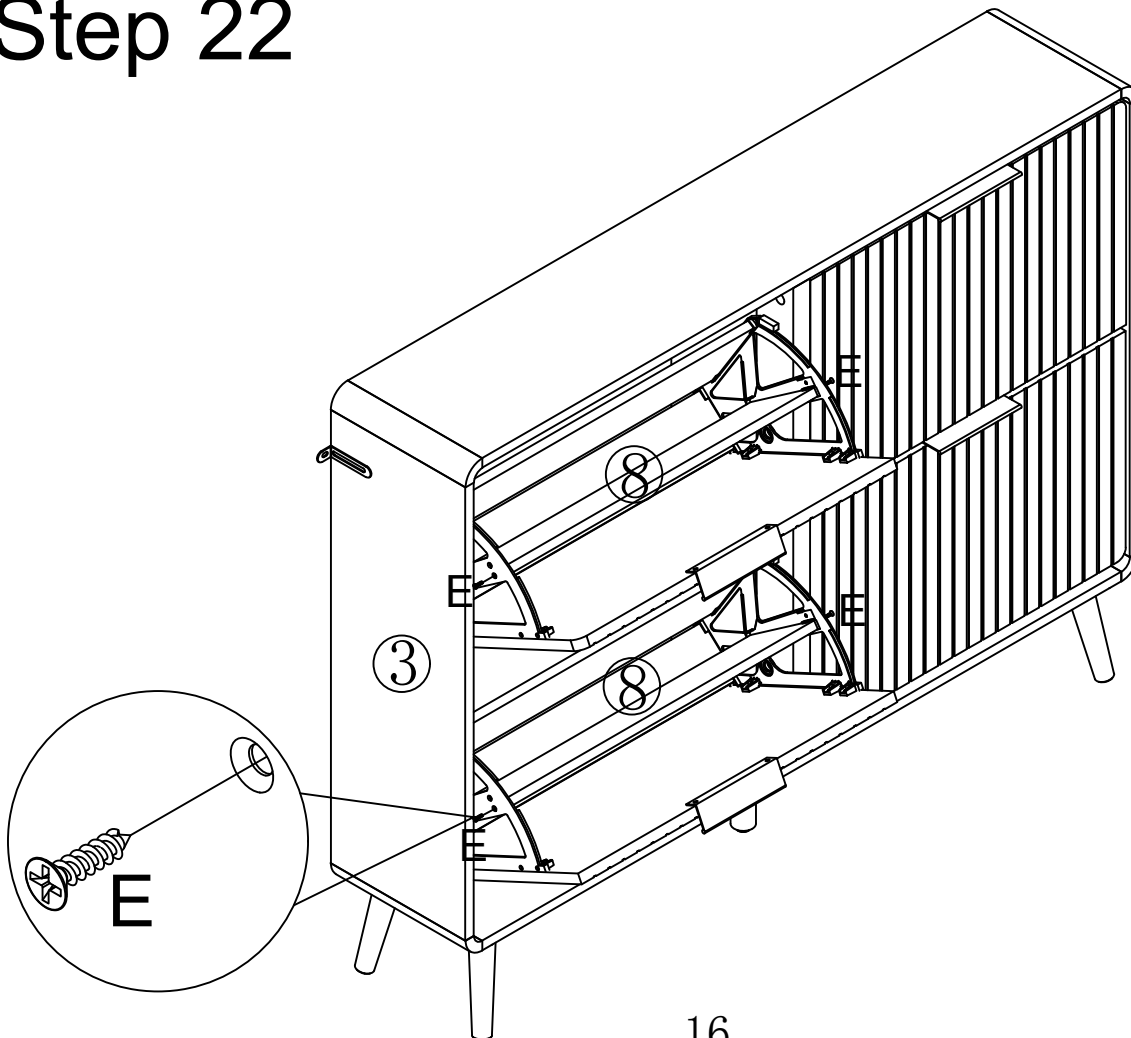
# Step 21

H	×4	N	×4
			

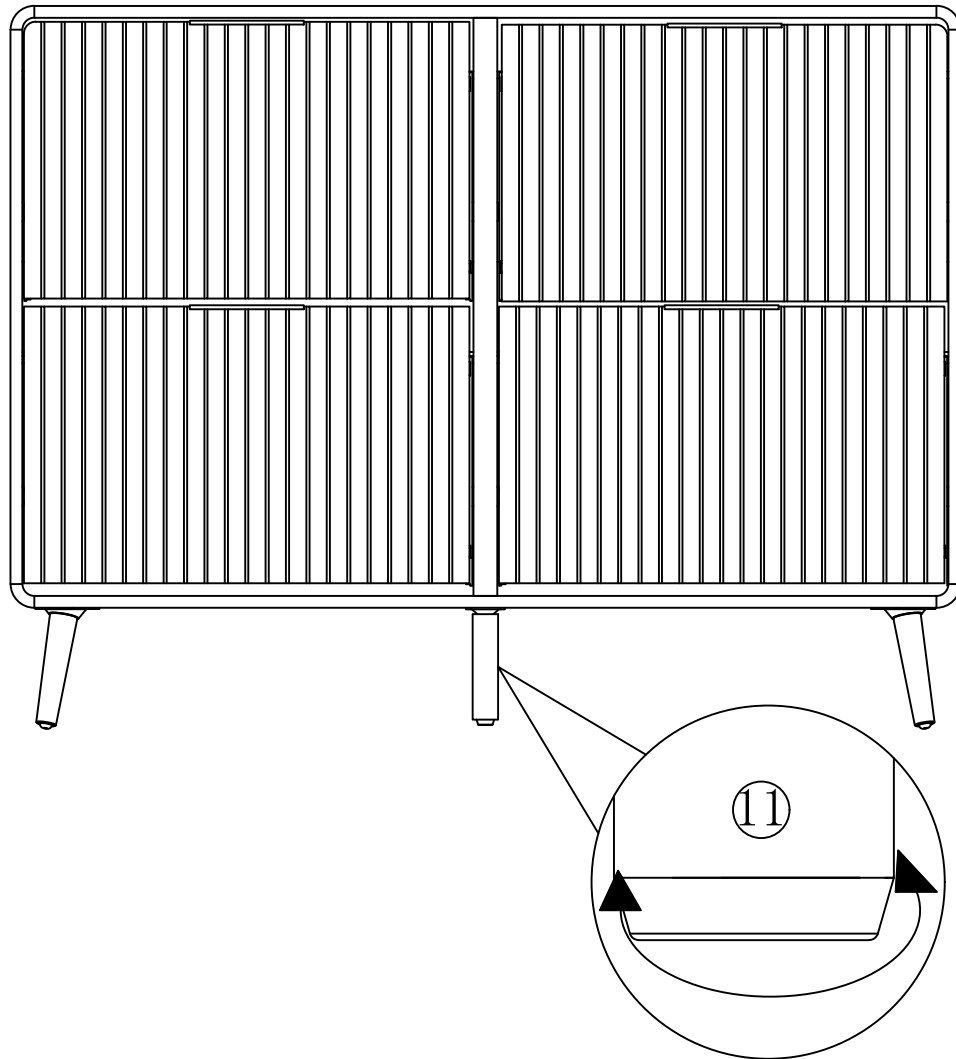


# Step 22

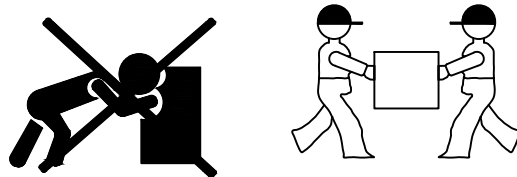
E	×4
	



# Step 23



If the center position of the cabinet is too high or too low due to uneven bottom plates or other reasons, adjust the adjustable foot pads on feet ⑪ to adjust the upper and lower height



Two people work together to move the table. Make sure you lift it off the ground. Don't push and pull.