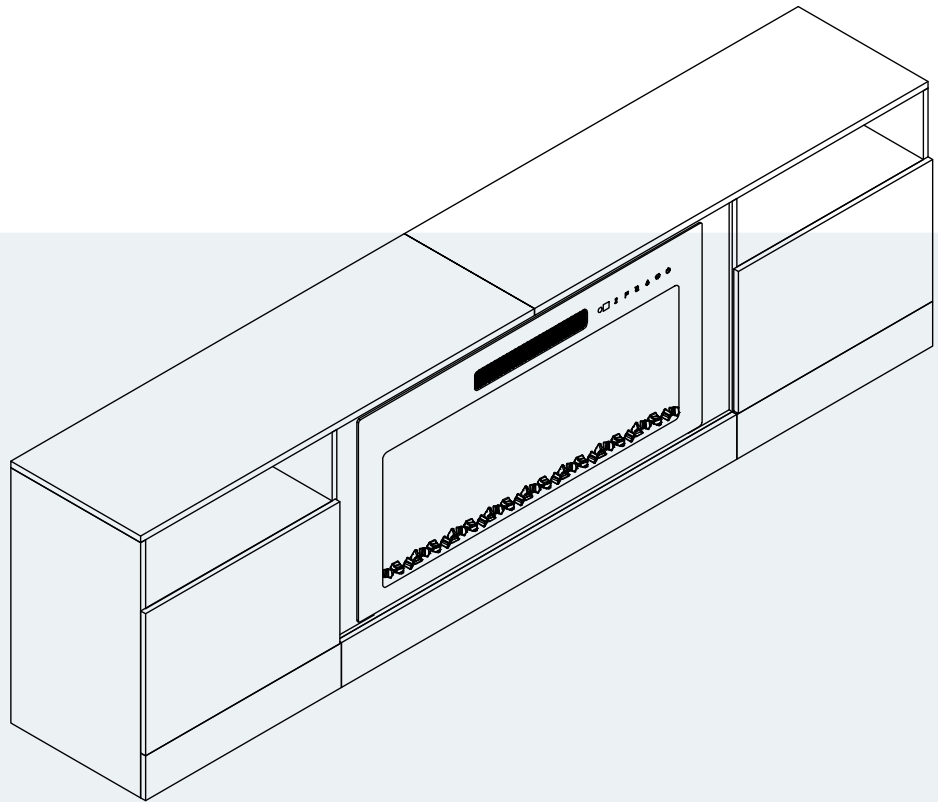


TV Stand

Assembly Instruction - Please keep properly for future reference.

If you find any missing boxes, damaged parts, or accessory shortages, please contact the customer service team of your purchasing channel immediately. We will resolve the issue as quickly as possible.



CONTACT US

- **Email: service@grandtunnel.com**

In order to receive assistance more quickly, please provide

THE FOLLOWING INFORMATION:

- Order number
- Purchase platform
- Purchase date
- Detailed description of the issue along with photos (if applicable)

EN

Important – Please read these instructions carefully before starting the installation.

Before Assembly



Thank you for choosing our product!

To ensure a smooth installation process, please read this guide carefully to familiarize yourself with the required tools, materials, and installation steps. Follow the relevant sections to avoid any damage caused by improper installation, and make sure to review all operation and safety guidelines for correct installation procedures.

Packaging Notice:

If you find any missing boxes, damaged parts, or accessory shortages, please contact the customer service team of your purchasing channel immediately. We will resolve the issue as quickly as possible.

Safety and Care Advice



Important :

Please read these instructions fully before starting assembly.

- Check you have all the components and tools listed on the following pages.
- Remove all fittings from the plastic bags and separate them into their groups.
- Keep children and animals away from the work area, small parts could choke if swallowed.
- Make sure you have enough space to layout the parts before starting.
- During assembly do not stand or put weight on the product, this could cause damage.
- Assemble the item as close to its final position (in the same room) as possible.
- Assemble on a soft level surface to avoid damaging the unit or your floor.
- Parts of the assembly will be easier with 2 people.



- To reduce the likelihood of damaging your product please ensure that your power drill is set on a low torque setting.

Care and maintenance

- Only clean using a damp cloth and mild detergent, do not use bleach or abrasive cleaners.
- From time to time check that there are no loose screws on this unit.
- This product should not be discarded with household waste. Take to your local authority waste disposal center.

Handy Hints

- Assemble all parts and bolts loosely during assembly, only once the product is complete should you fully tighten the bolts.
- Regularly check and ensure that all bolts and fittings are tightened properly.

Warning

In order to help prevent overturning, please follow these instructions.

- Use the anti tip strap or wall fixing method provided (if applicable).
- Do not allow children to climb or hang on the furniture.
- Do not open more than one drawer at a time.
- Do not place heavy items in the top drawers.
- Do not place heavy items on top of the furniture, unless the furniture has been designed for this purpose.
- Please note that only the anti tip strap is provided. You will need to provide wall plugs and screws applicable for your wall type.

Customer Service Guide



Thank you for choosing our product! We are committed to providing you with excellent service. If you find any missing parts, damaged packaging, or product damage after receiving all packages, please follow the steps below to quickly contact our customer service team. We will do our best to resolve your issue.

1. Missing Parts

Verify Parts:

1. Refer to the “Parts List” in the manual to verify the name, specifications, and quantity of the missing parts.
2. Take a clear photo of the parts list and mark the missing parts with detailed information, e.g., “Missing 5 pieces of M6×30mm screws.”

Contact Us:

By Email:

Send an email to service@grandtunnel.com, with the subject line “Missing Parts Issue.” Include the following in the email:

- A description of the missing parts and a photo of the parts list.
- Order details (order number, purchase platform, purchase date).

2. Product or Packaging Damage

If it affects normal use:

Steps:

1. Take clear photos or videos showing the damaged parts and the extent of the damage (multi-angle shots are recommended).
2. Email the photos/videos along with order details to service@grandtunnel.com, with the subject line “Product Damage Issue.”

Resolution:

After verification, we will arrange for a replacement part, product exchange, or refund as quickly as possible.

If it does not affect normal use:

Steps:

1. Contact our customer service team (by email: service@grandtunnel.com).
2. Provide a description of the damage and include relevant photos or videos.

Resolution:
 We will provide repair guidance or an appropriate compensation plan based on the specific situation.

Contact Us:

Customer Service Email: service@grandtunnel.com

Helpful Tips

To process your issue efficiently, please prepare the following information:

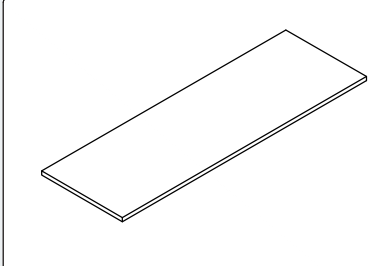
- Order details (order number, purchase platform, purchase date).
- Clear photos or videos.
- We are committed to providing quick and professional solutions, no matter the size of the issue, to ensure your satisfaction.

**Thank you for your trust and support!
 We hope you enjoy using our product!**

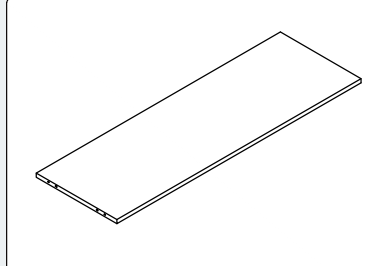
Parts List



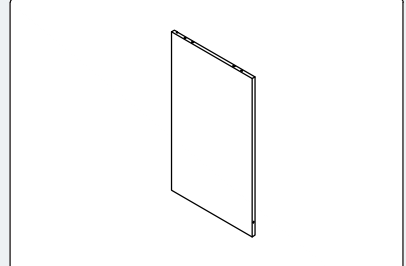
Please check you have all the panels listed below.



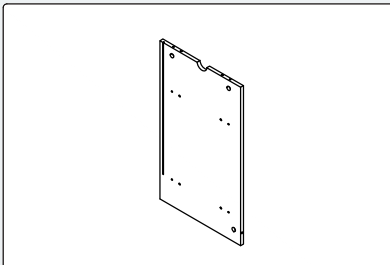
1 1014x335x15mm **x1**



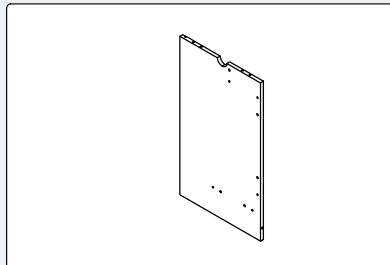
2 1014x335x15mm **x1**



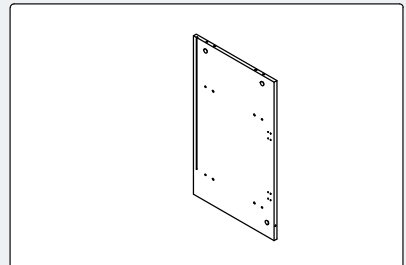
3 569x333x12mm **x1**



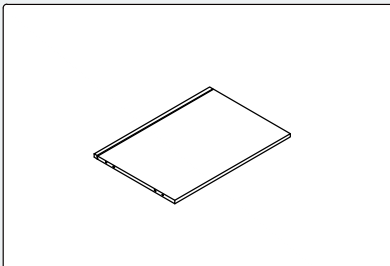
4 569x333x12mm **x1**



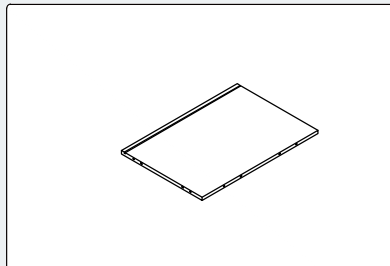
5 569x333x12mm **x1**



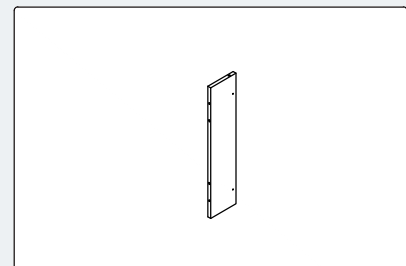
6 569x333x12mm **x1**



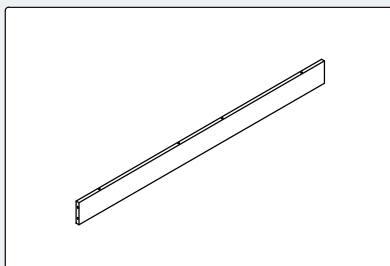
7 481x333x12mm **x2**



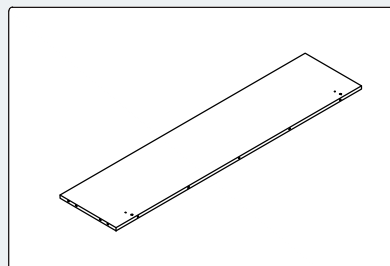
8 481x333x12mm **x2**



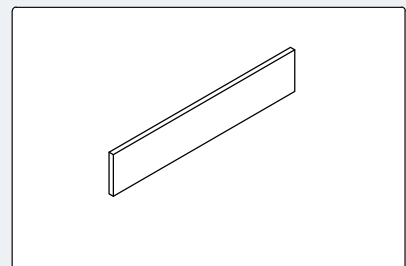
9 470x107x12mm **x2**



10 1016x79x12mm **x1**



11 1016x234x12mm **x1**



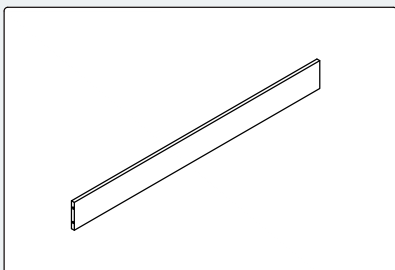
12 505x100x12mm **x1**

Parts List

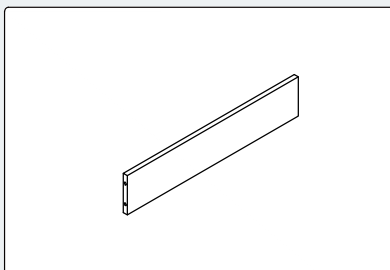


EN

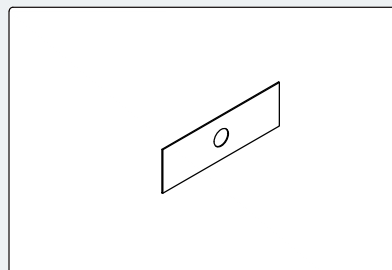
Please check you have all the panels listed below.



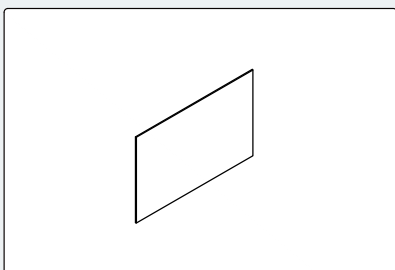
13 1016x100x12mm **x1**



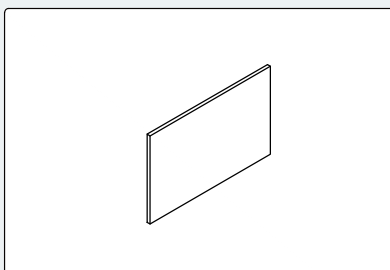
14 505x100x12mm **x1**



15 489x158x3mm **x2**



16 489x315x3mm **x2**



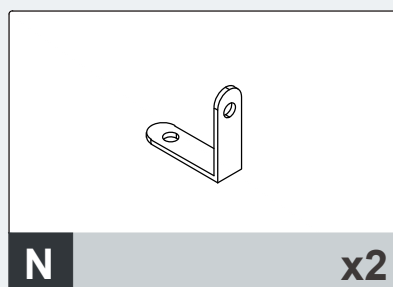
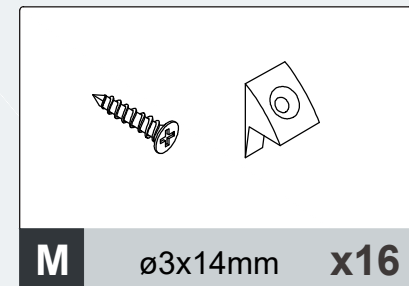
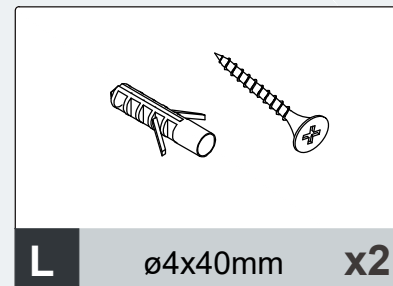
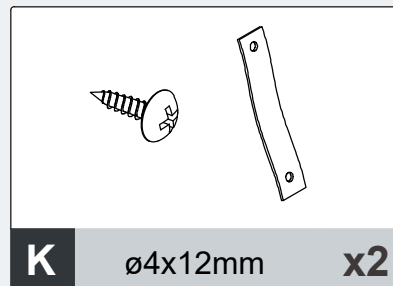
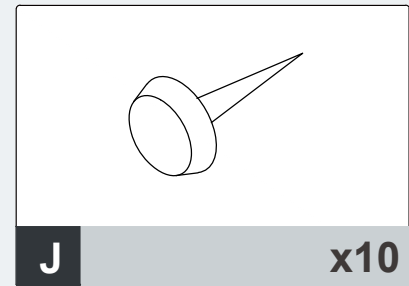
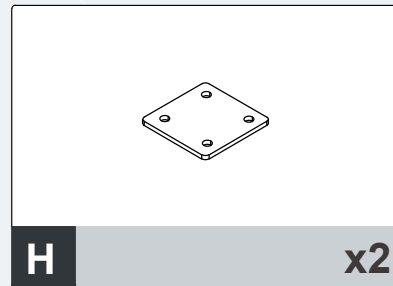
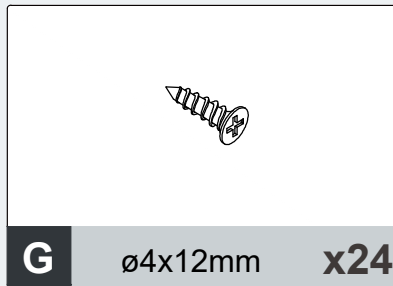
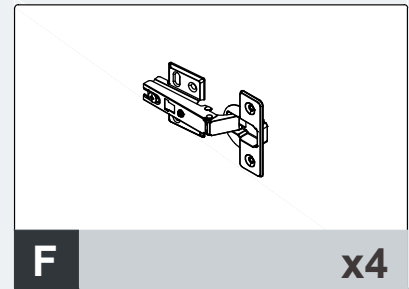
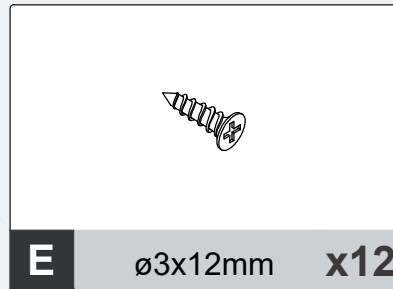
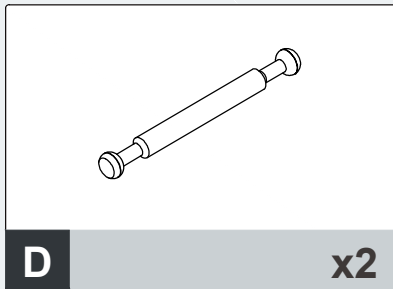
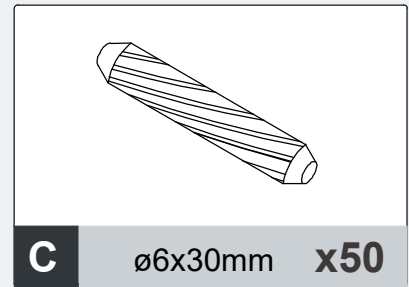
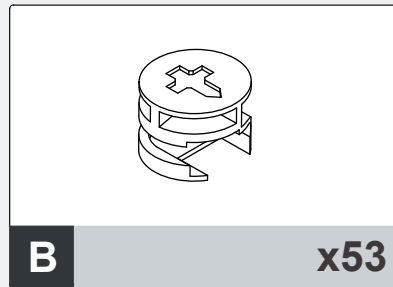
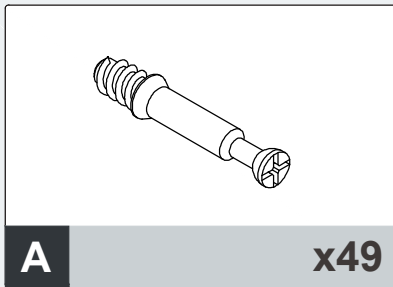
17 501x317x12mm **x2**

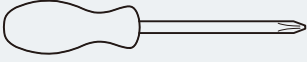
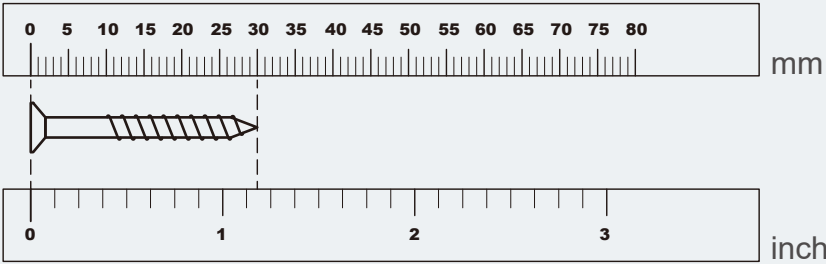
Parts List - Fittings



Please check you have all the fittings listed below.

Note: The quantities below are the correct amount to complete the assembly. In some cases more fittings may be supplied are required.



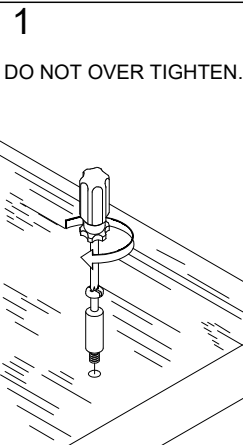
Tools required	 Phillips screwdriver (medium & large)
Ruler Use this ruler to help correctly identify the screws	 <p>The screws length is measured from the head to the point (30mm screw shown).</p>



Using Camlocks

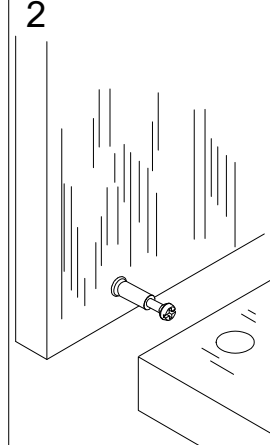
Step 1

Connect the male camlock as directed in the assembly instructions using a screwdriver.



Step 2

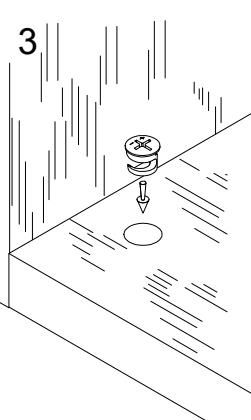
Push the male camlock into the entry hole.



Step 3

Insert the female camlock as shown in the instruction.

Note: ensure that the arrow on the top of the camlock points towards the entry hole for the male camlock.

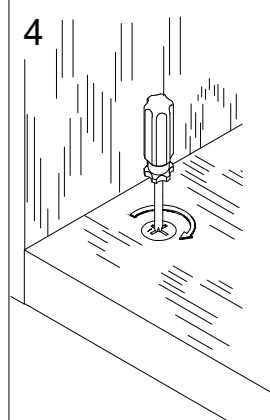


Step 4

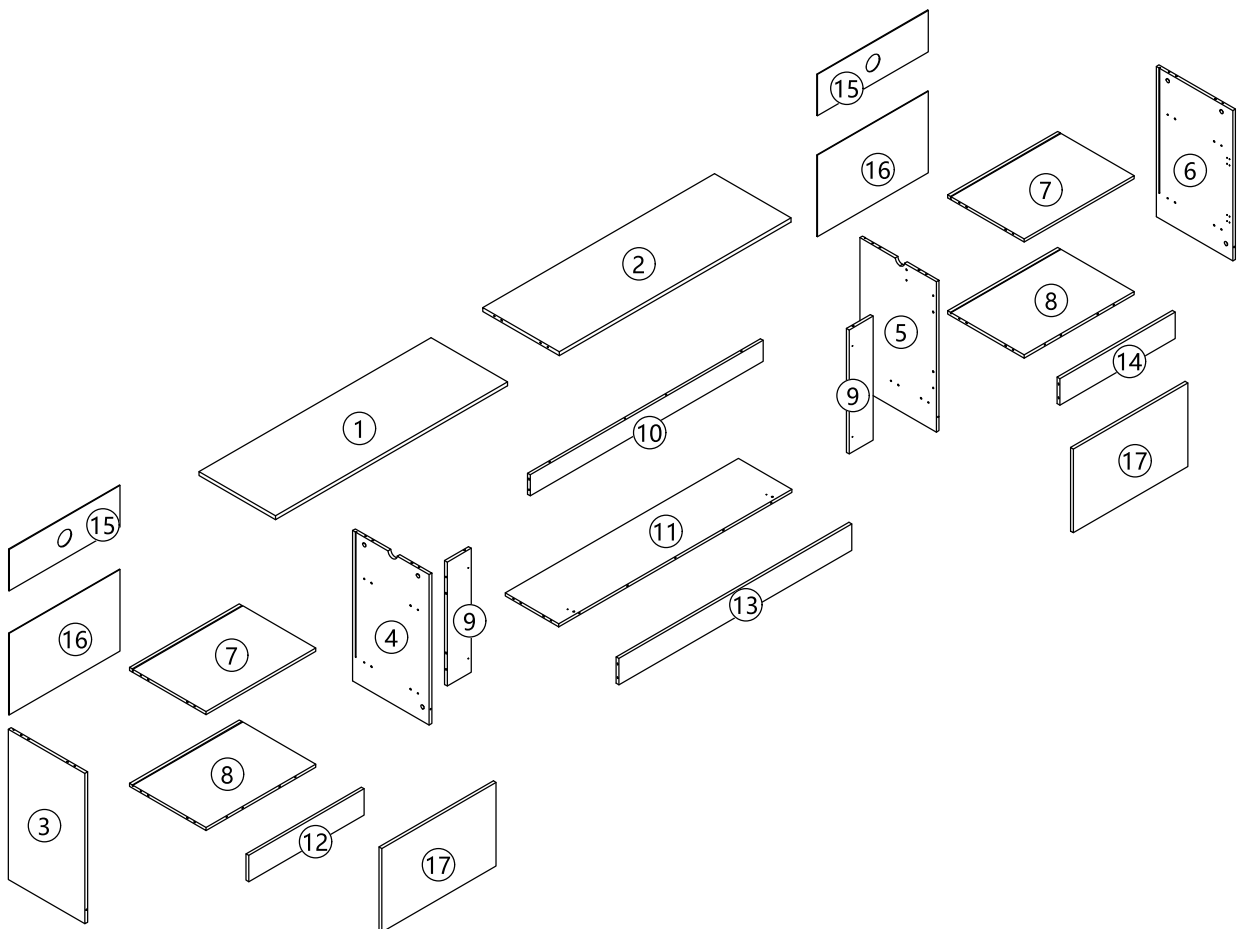
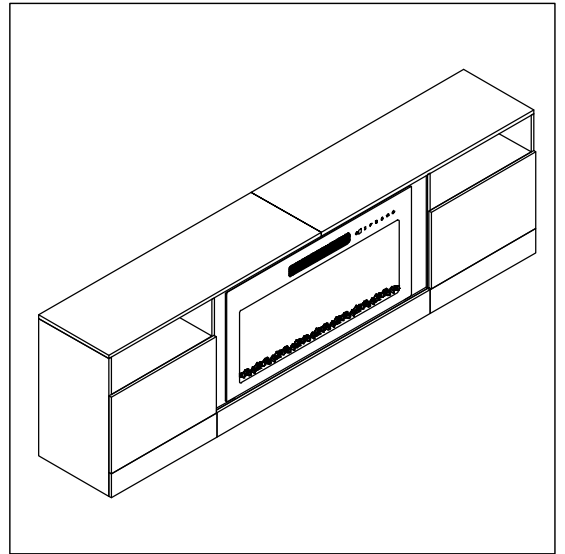
Turn the female camlock clockwise with a screwdriver.

You should feel a click when the camlock is locked in place.


The joint is now secure.



Assembly Instructions

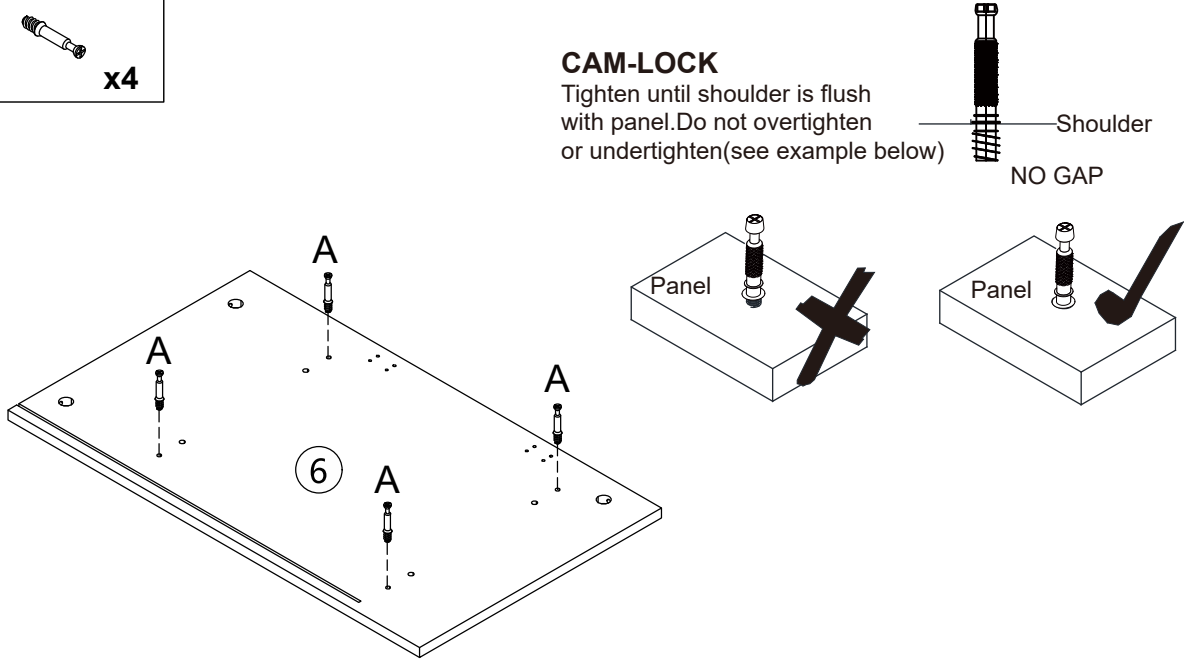


Step 1

A  **x4**

CAM-LOCK
Tighten until shoulder is flush with panel. Do not overtighten or undertighten (see example below)

Shoulder
NO GAP




Panel

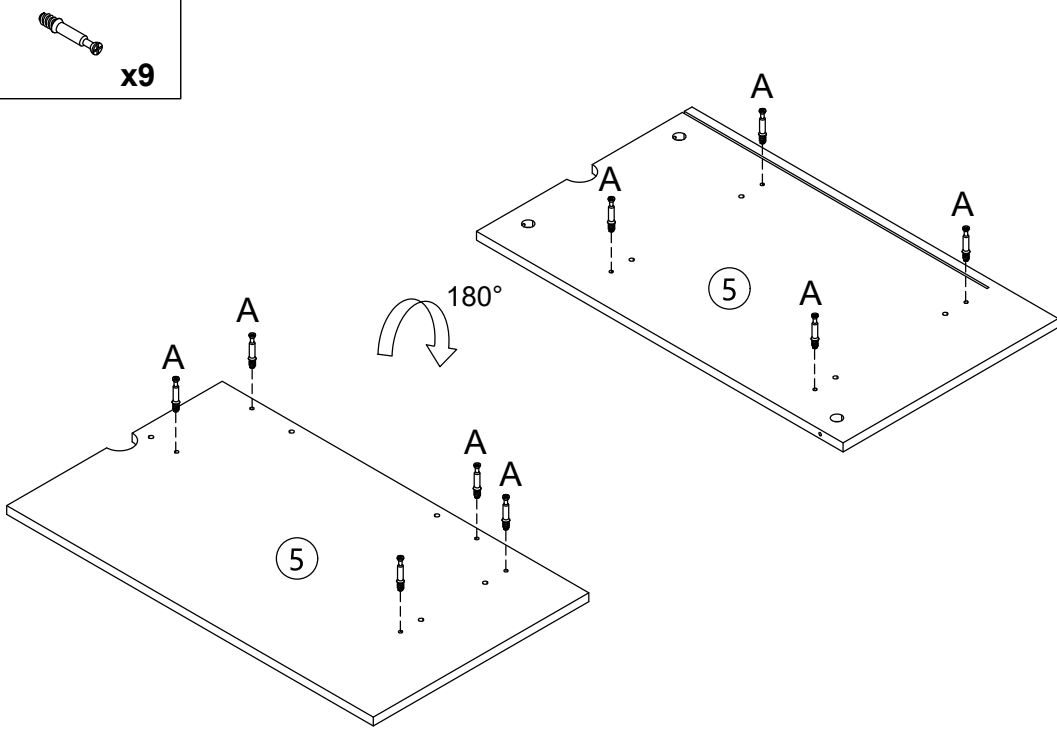
Panel

6

Screw hardware A into the hole of panel #6.

Step 2

A  **x9**



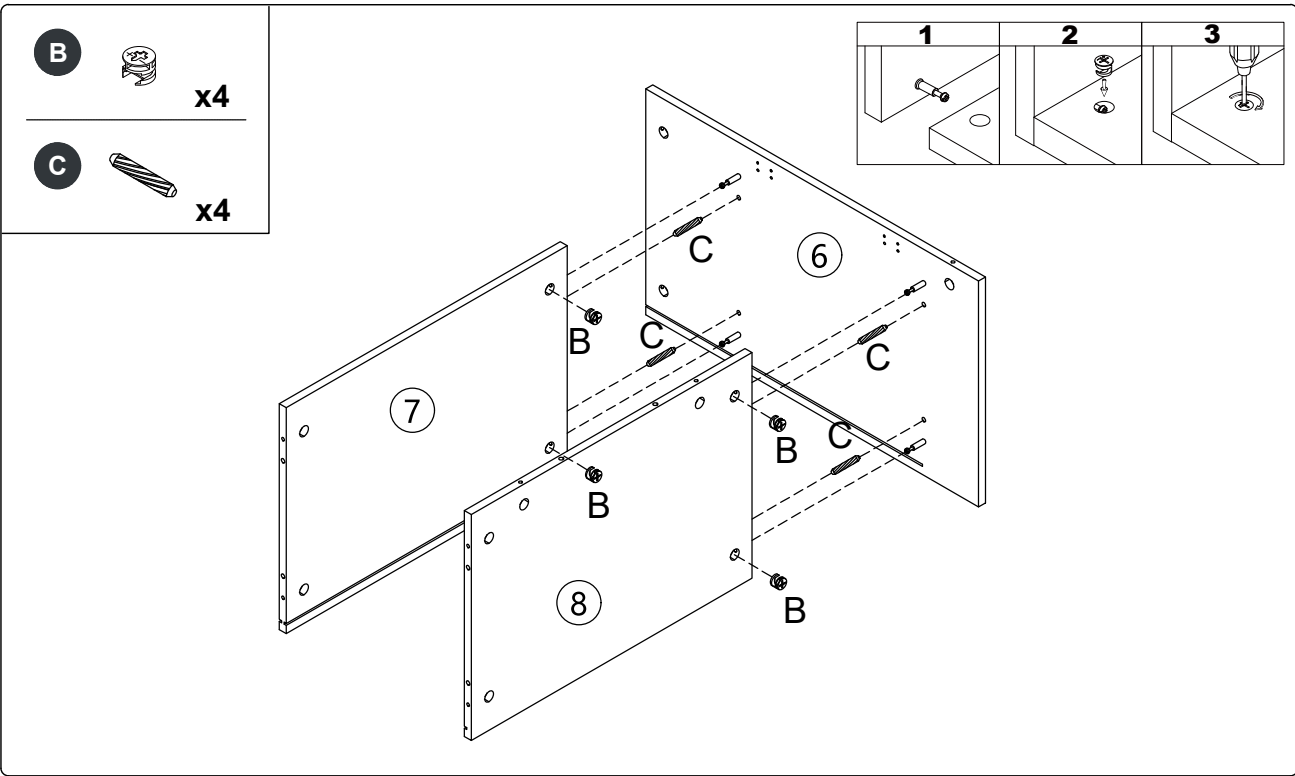
180°

5

5

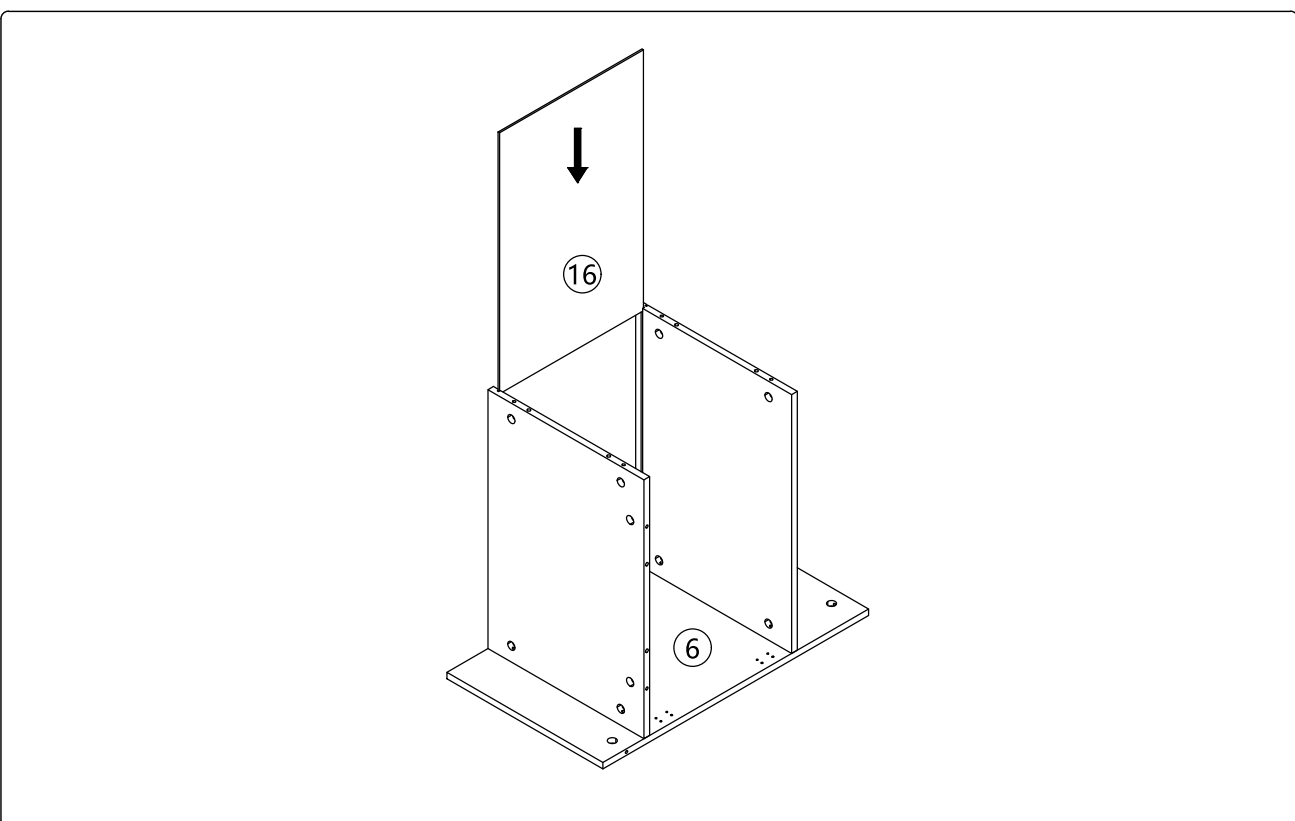
Screw hardware A into the hole of panel #5, flip it 180°, and screw hardware A into the hole on the other side.

Step 3





Use wooden dowel C to connect panels #6, #7, #8 and secure with hardware B.

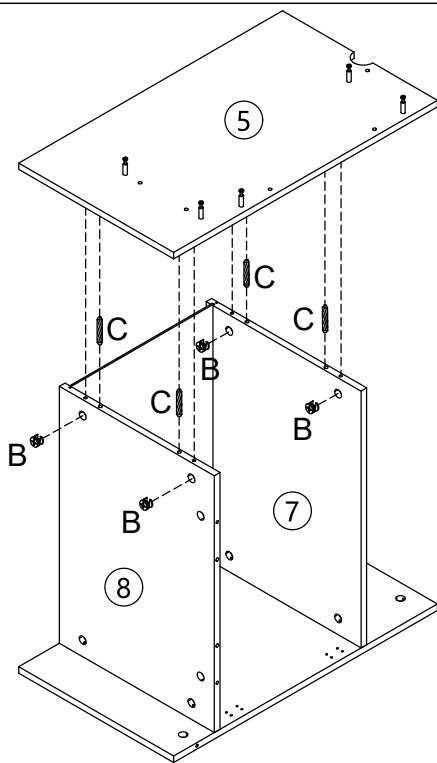
Step 4



Insert panel #16.




Step 5

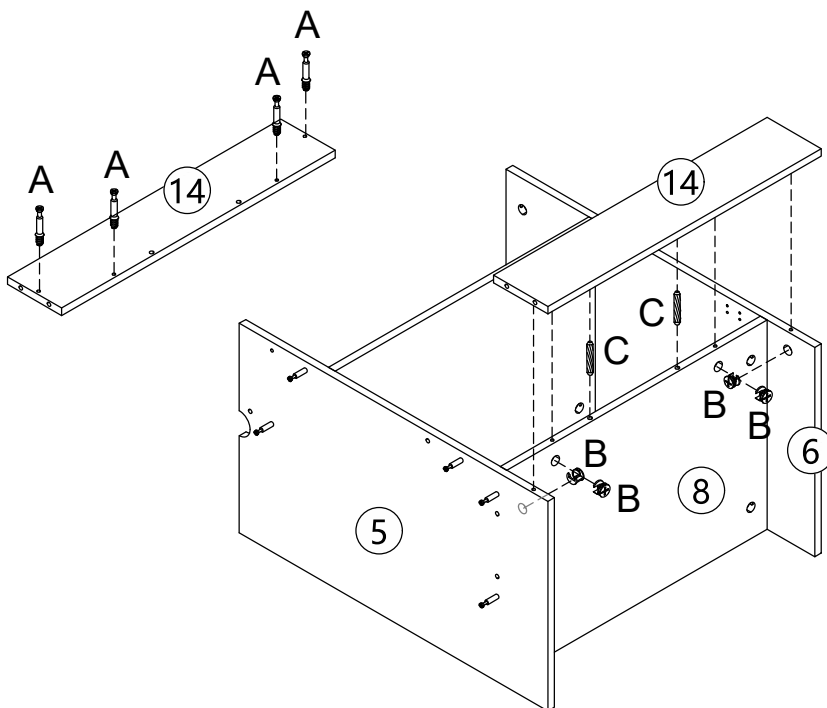
- B**  x4
- C**  x4



Use wooden dowel C to connect panels #5, #7, #8 and secure with hardware B.


Step 6

- A**  x4
- B**  x4
- C**  x2




1. Screw hardware A into the hole of panel #14.
2. Use wooden dowel C to connect panels #5, #6, #8, #14 and secure with hardware B.

Step 7

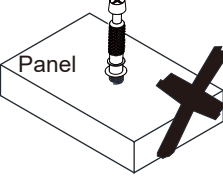
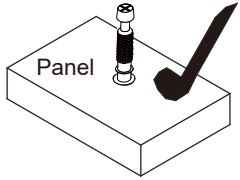
A  **x4**

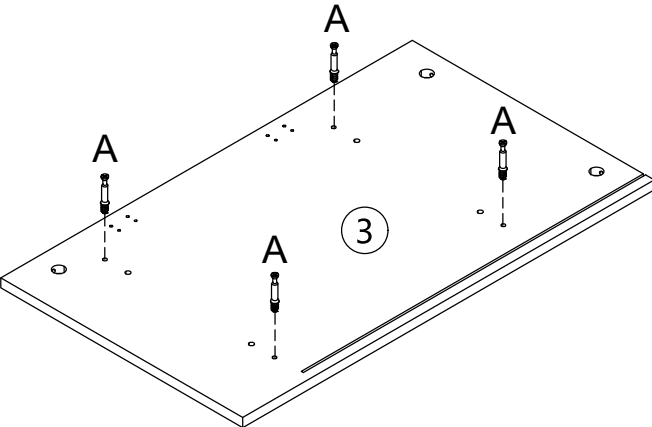
CAM-LOCK
Tighten until shoulder is flush with panel. Do not overtighten or undertighten (see example below)



Shoulder


NO GAP

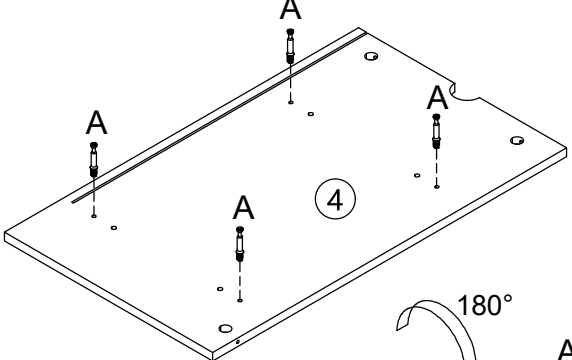






Screw hardware A into the hole of panel #3.

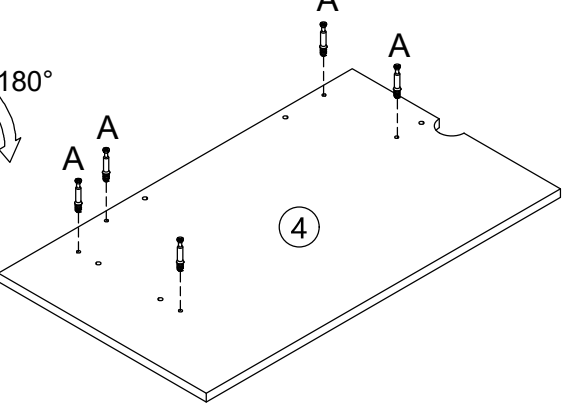
Step 8

A  **x9**



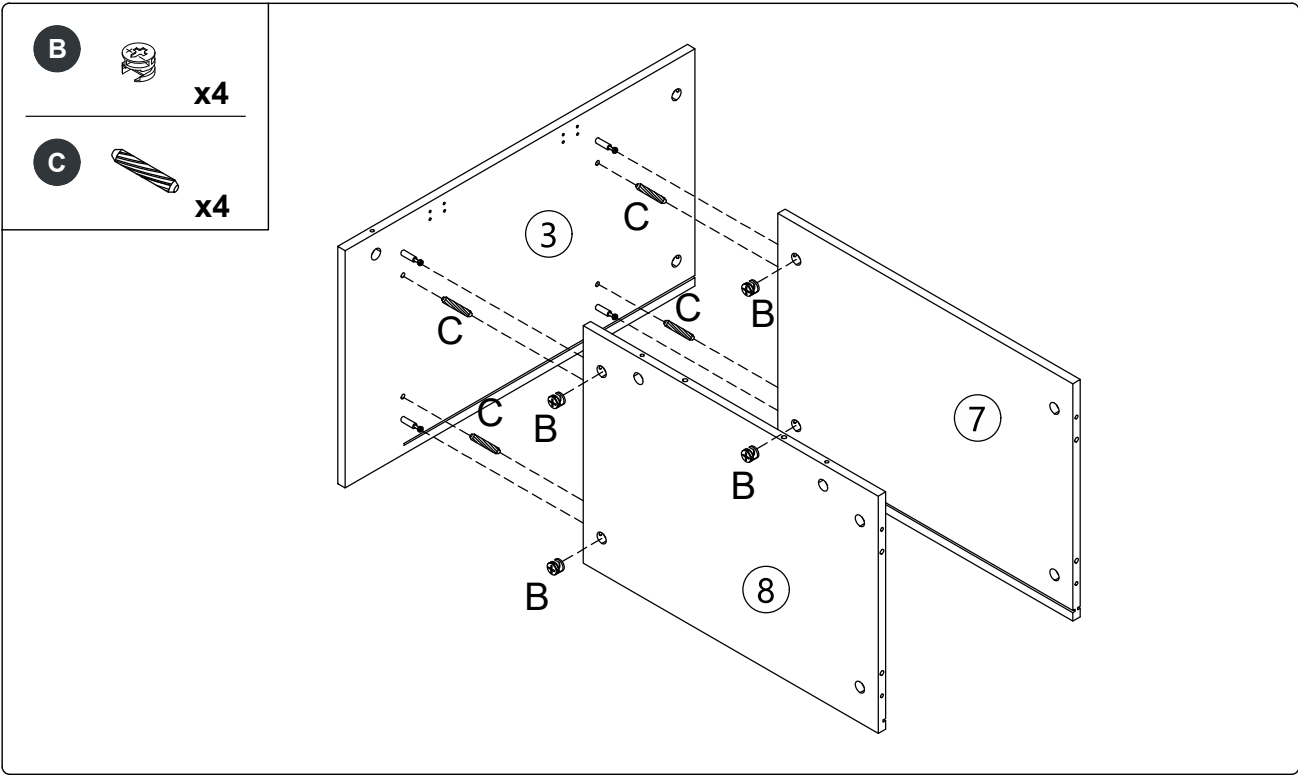
180°





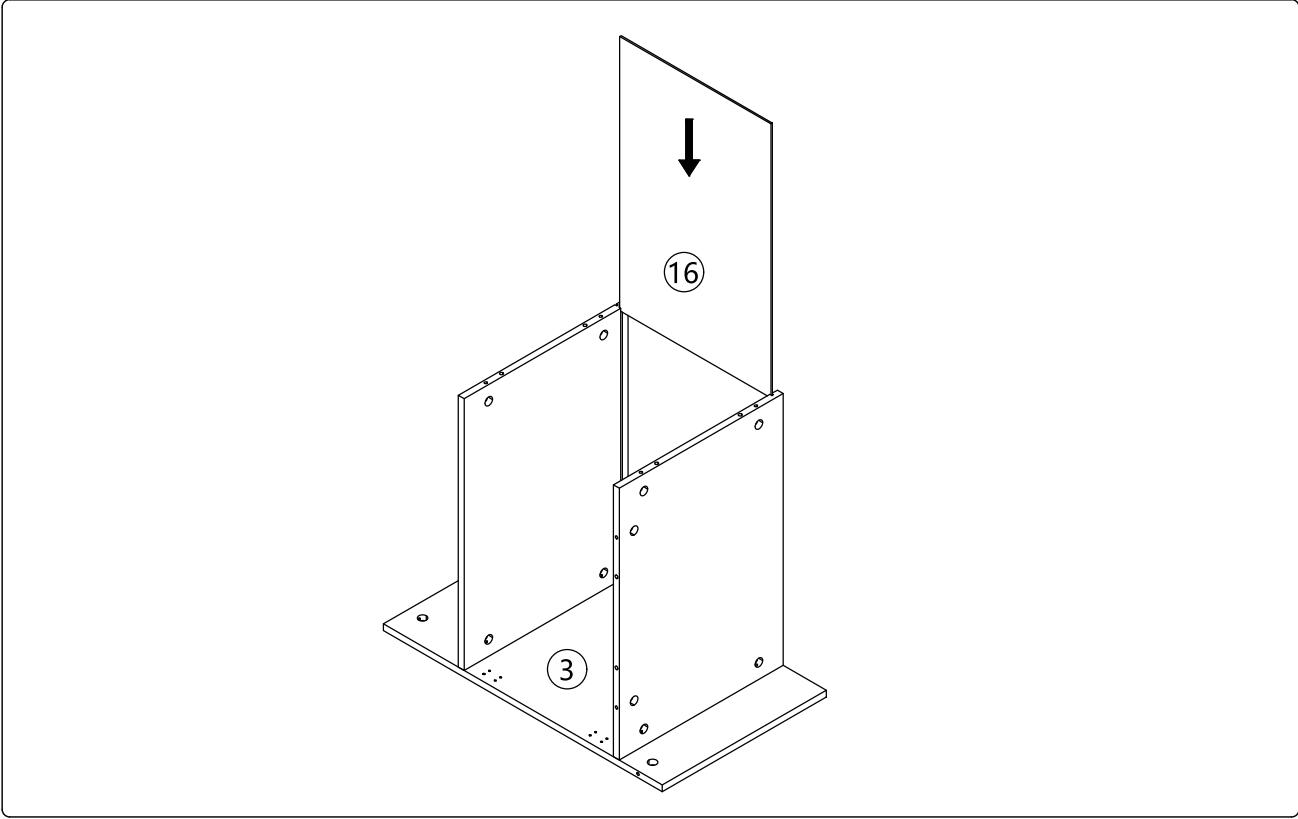
Screw hardware A into the hole of panel #4, flip it 180°, and screw hardware A into the hole on the other side.

Step 9



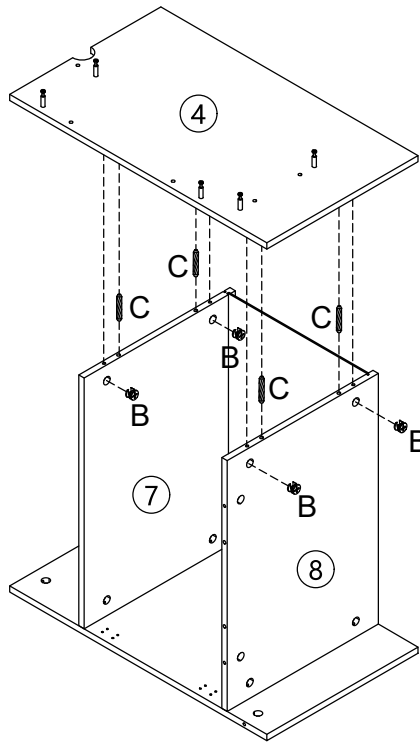
Use wooden dowel C to connect panels #3, #7, #8 and secure with hardware B.

Step 10



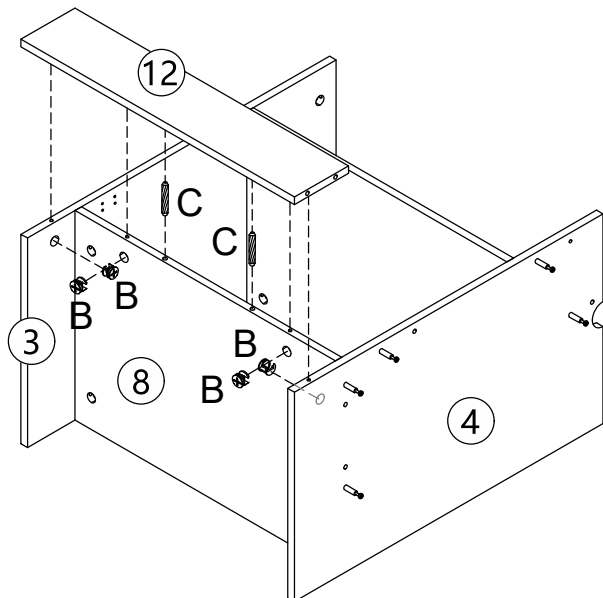
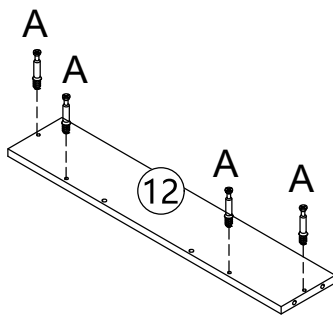
Insert panel #16.

Step 11



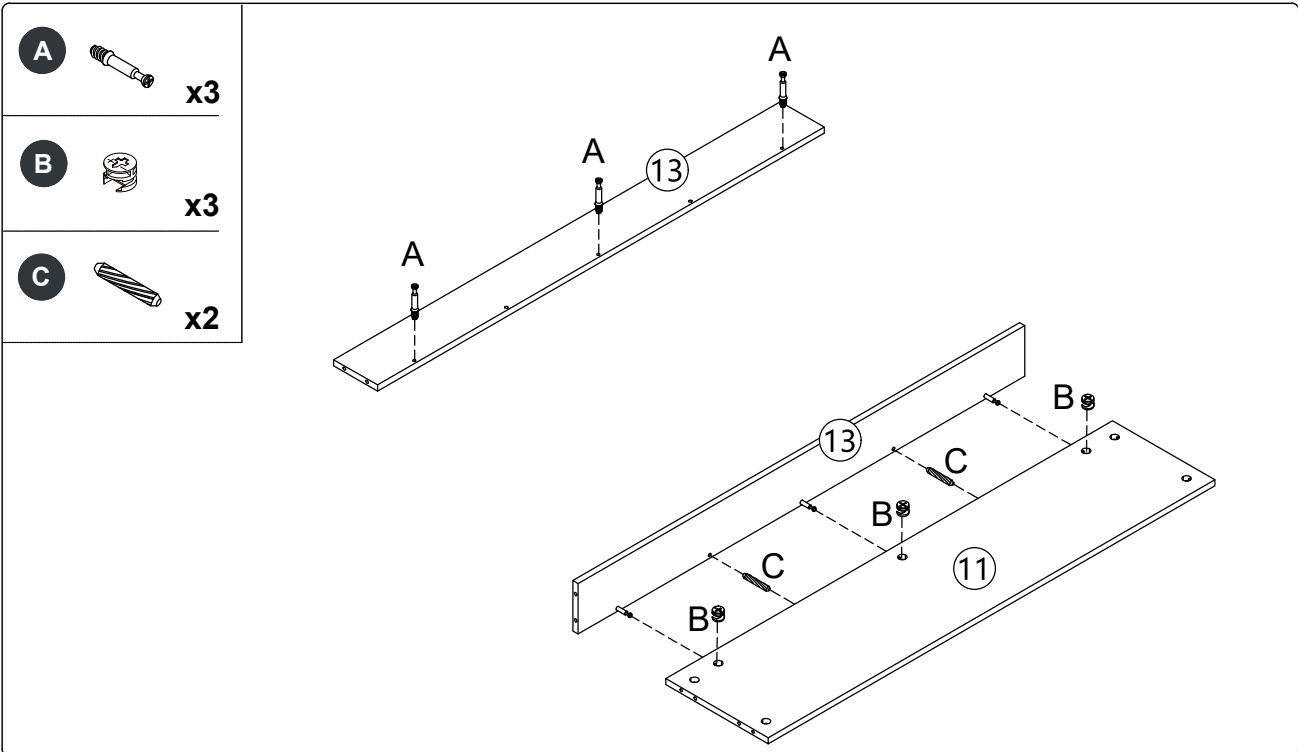
Use wooden dowel C to connect panels #4, #7, #8 and secure with hardware B.

Step 12



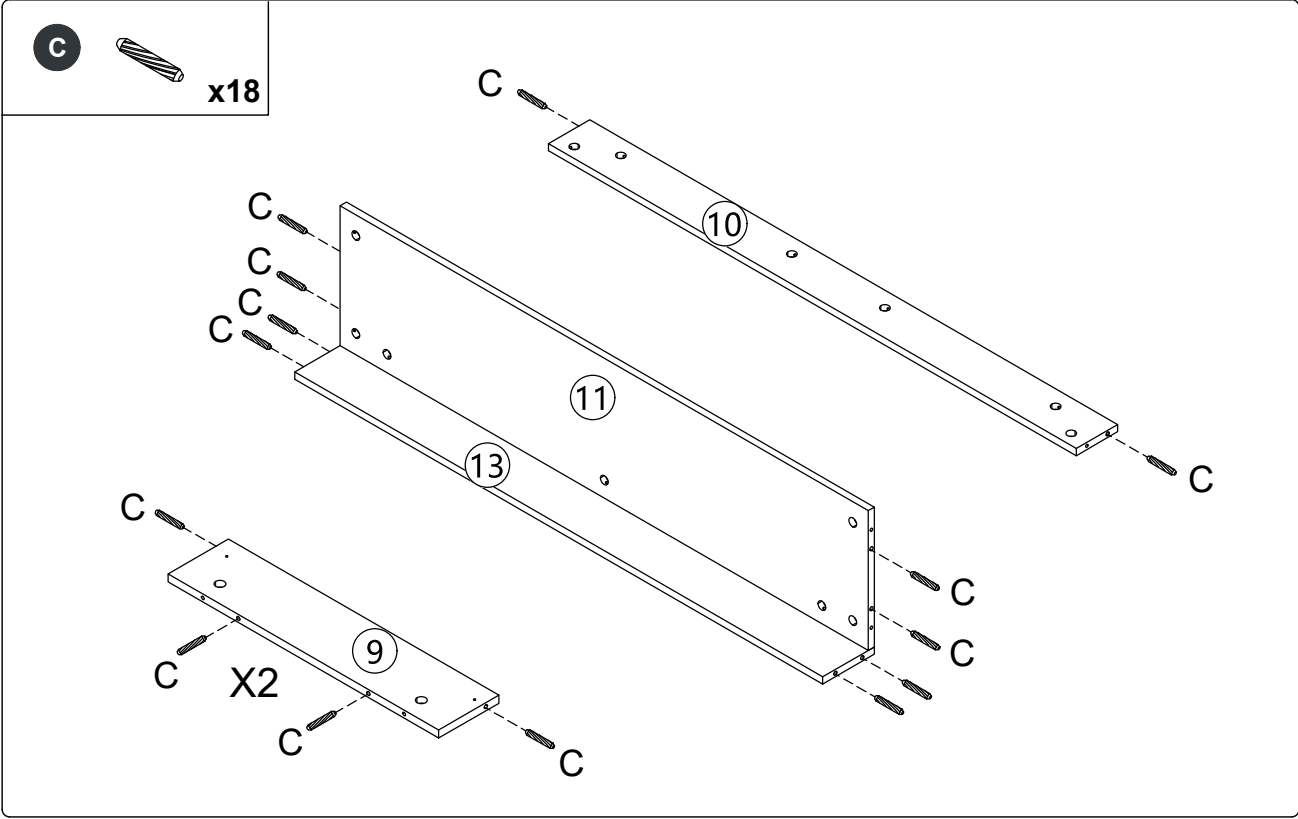
1. Screw hardware A into the hole of panel #12.
2. Use wooden dowel C to connect panels #3, #4, #8, #12 and secure with hardware B.

Step 13



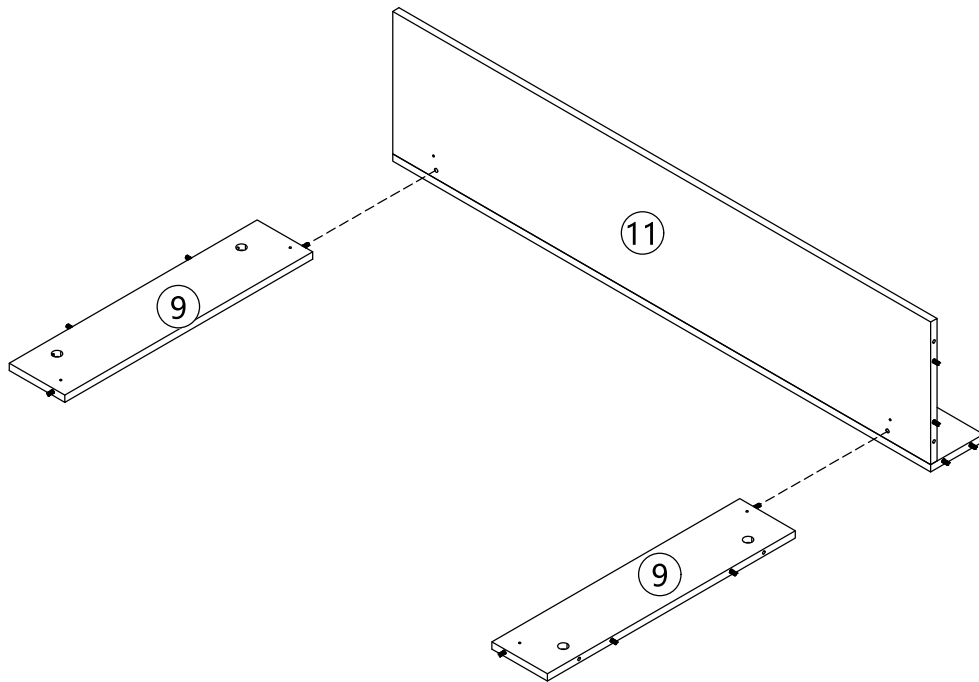
1. Screw hardware A into the hole of panel #13.
2. Use wooden dowel C to connect panels #11, #13 and secure with hardware B.

Step 14



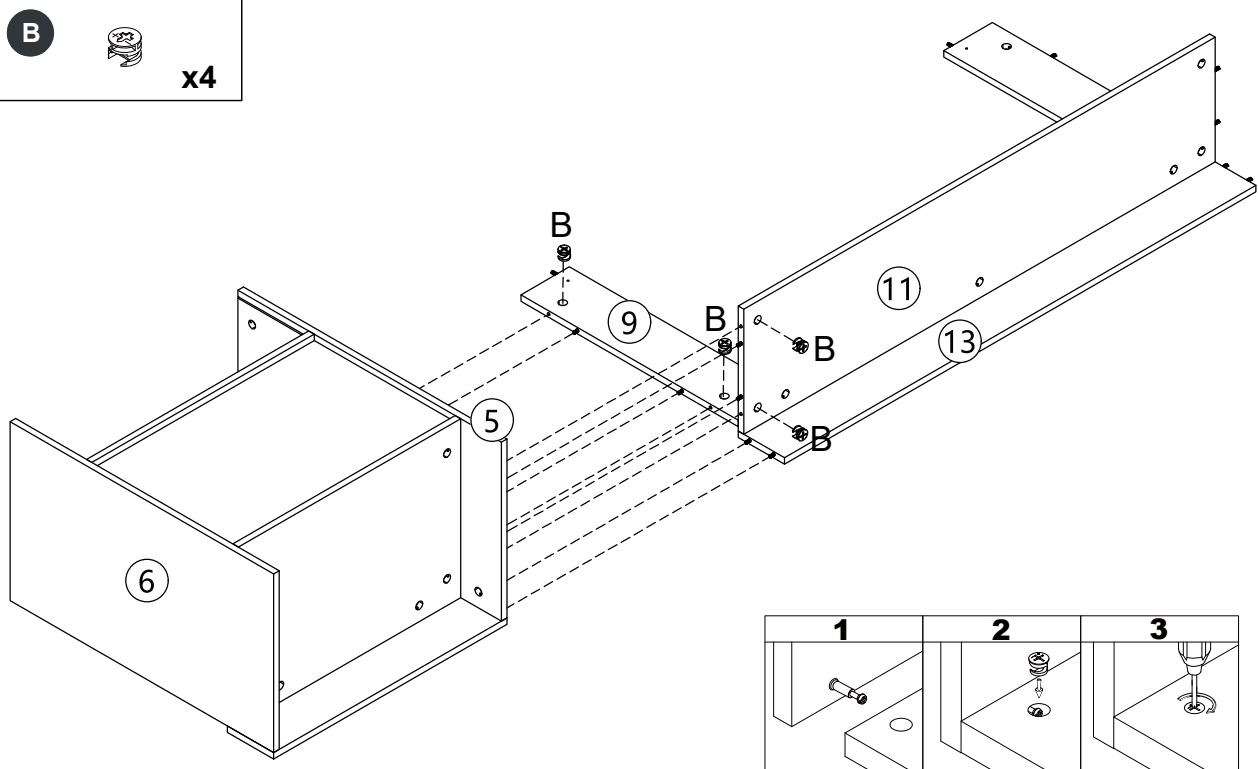
Insert wooden dowel C into both ends of panels #9, #10, #11, #13.

Step 15



Connect panels #9 and #11.

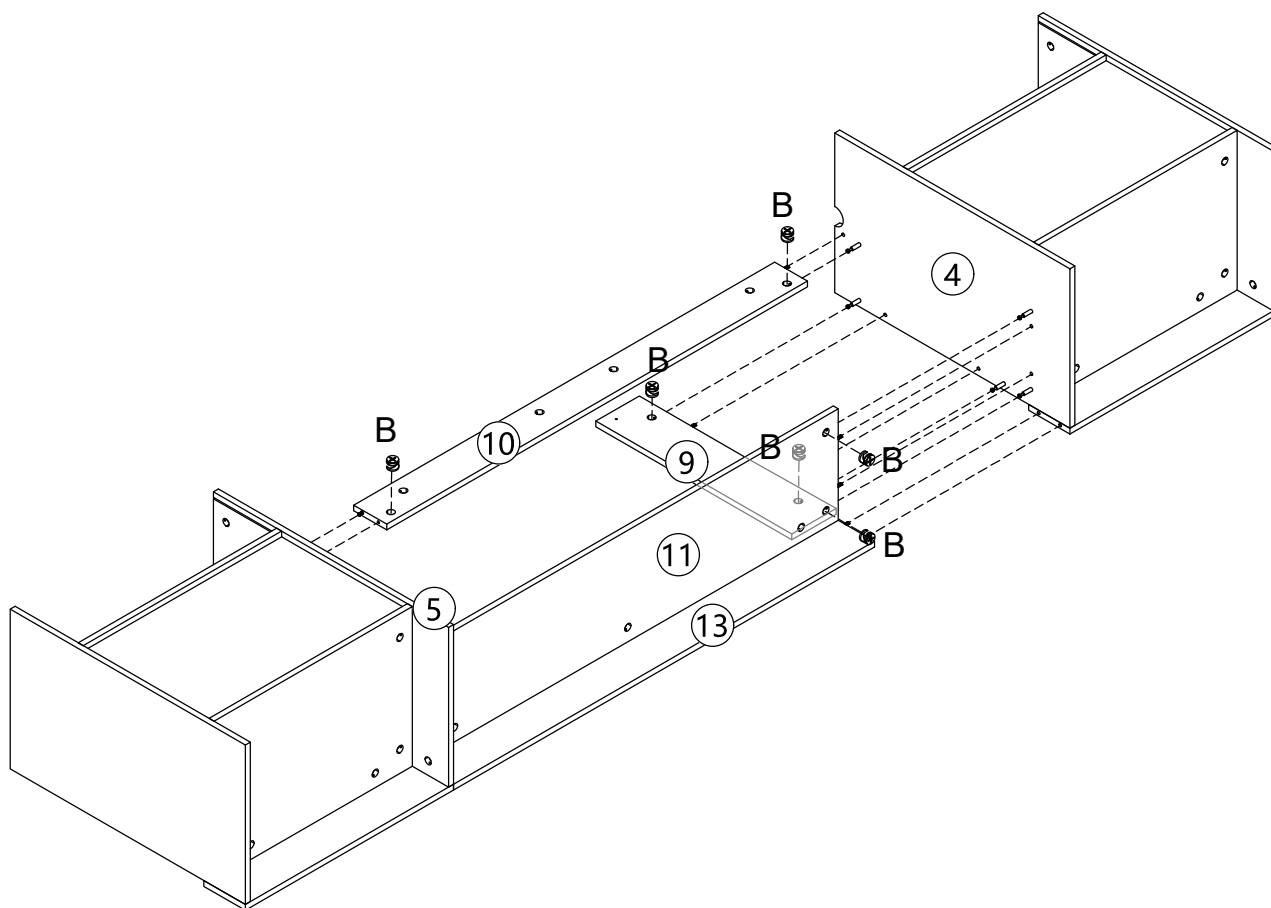
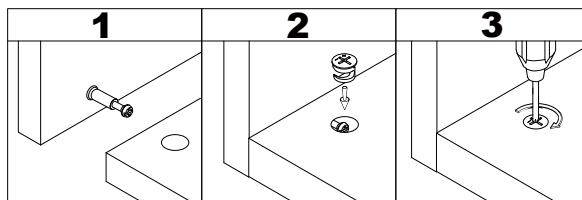
Step 16



Connect panels #5, #9, #11, #13 and secure with hardware B.

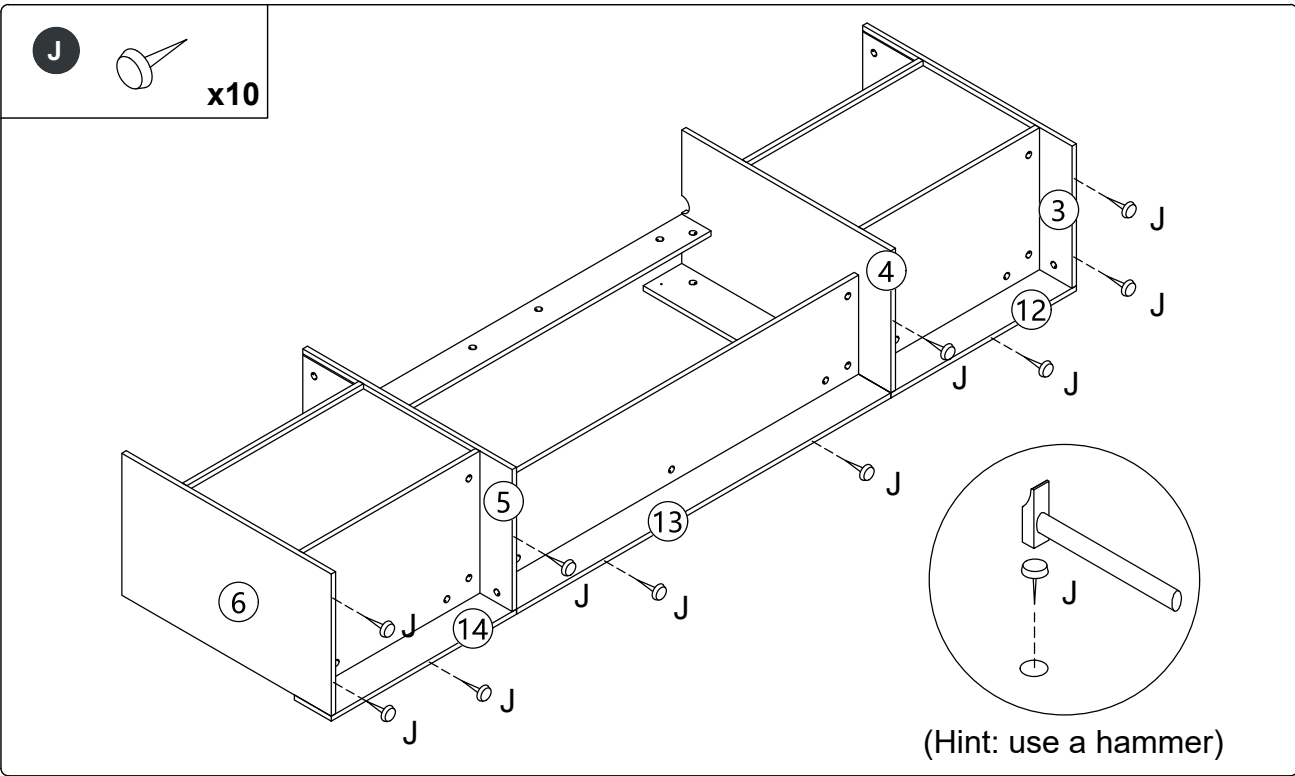
Step 17

B  x6



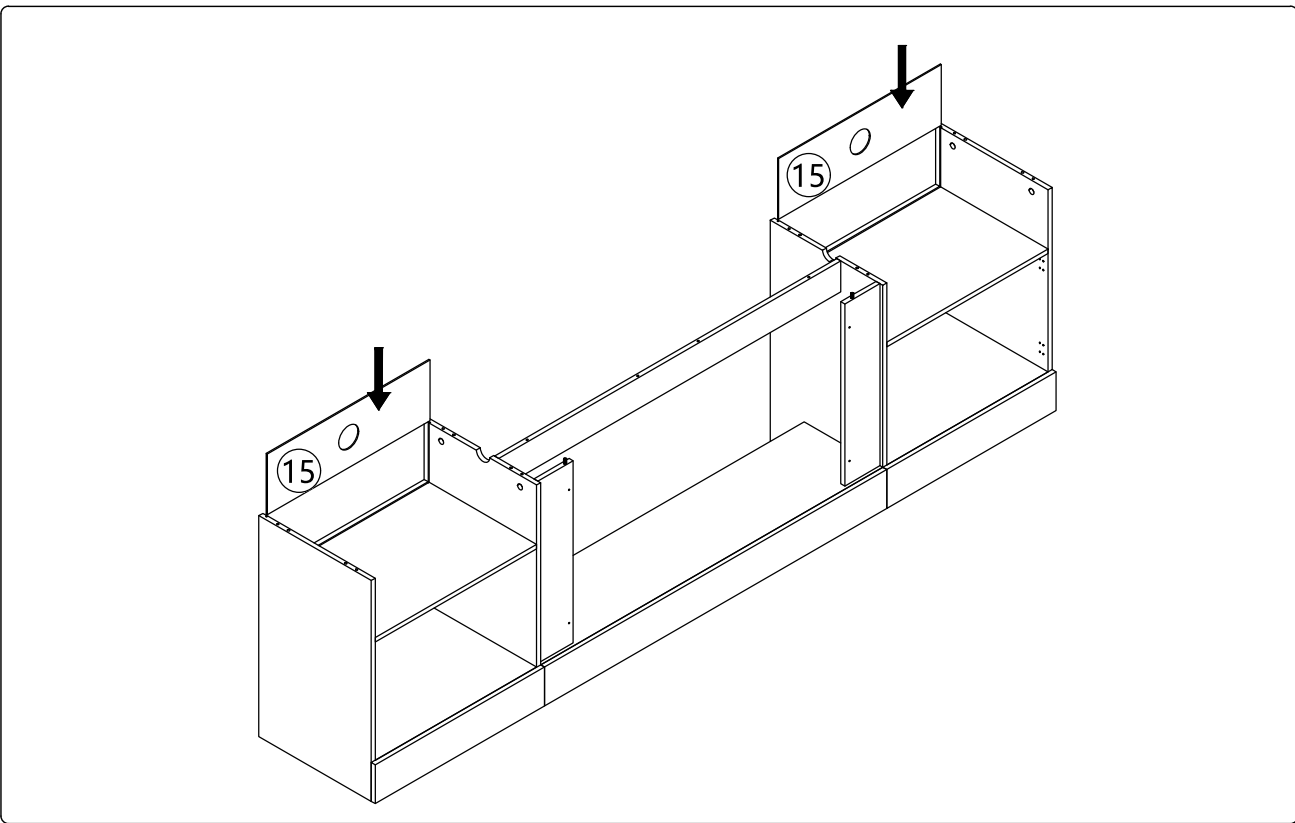
Connect panels #4, #5, #9, #10, #11, #13 and secure with hardware B.

Step 18



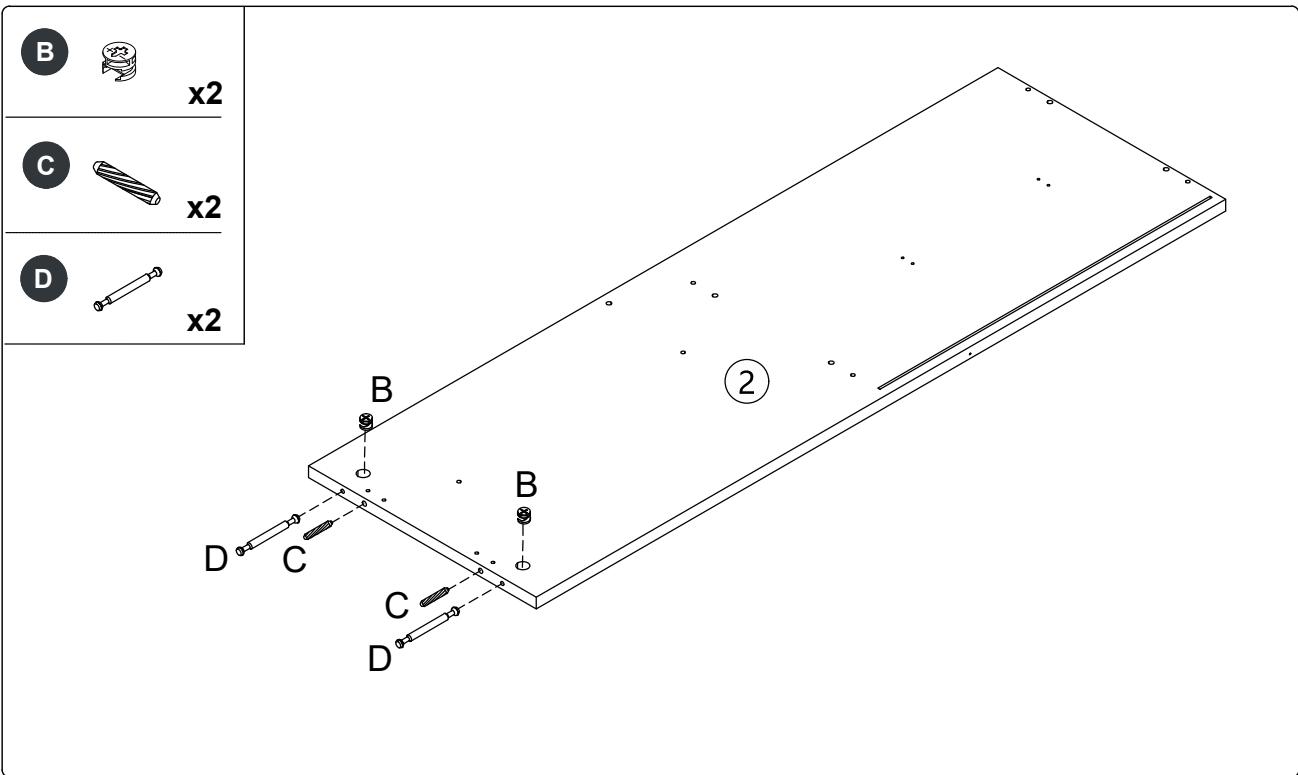
Knock in foot nails J at the bottom of panels #3, #4, #5, #6, #12, #13, #14.

Step 19



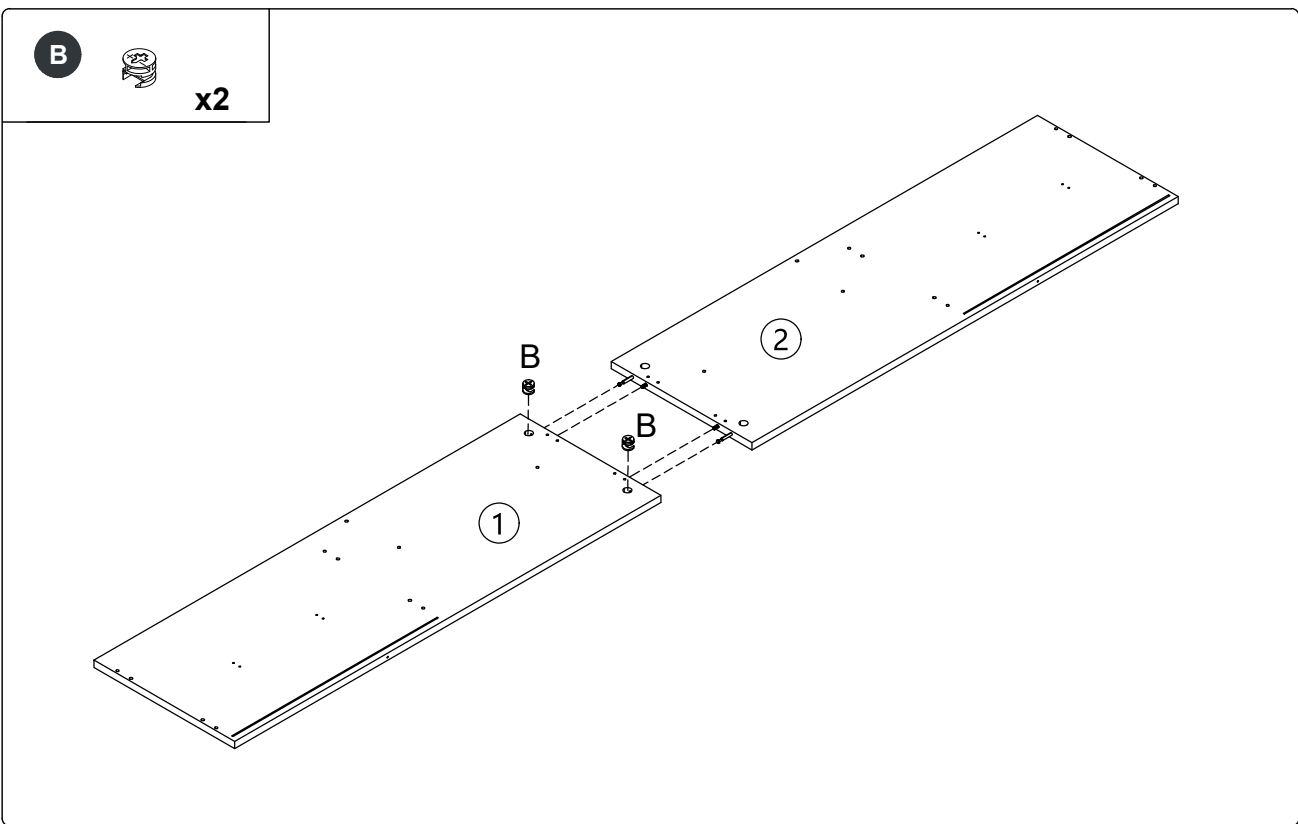
Insert panel #15.

Step 20



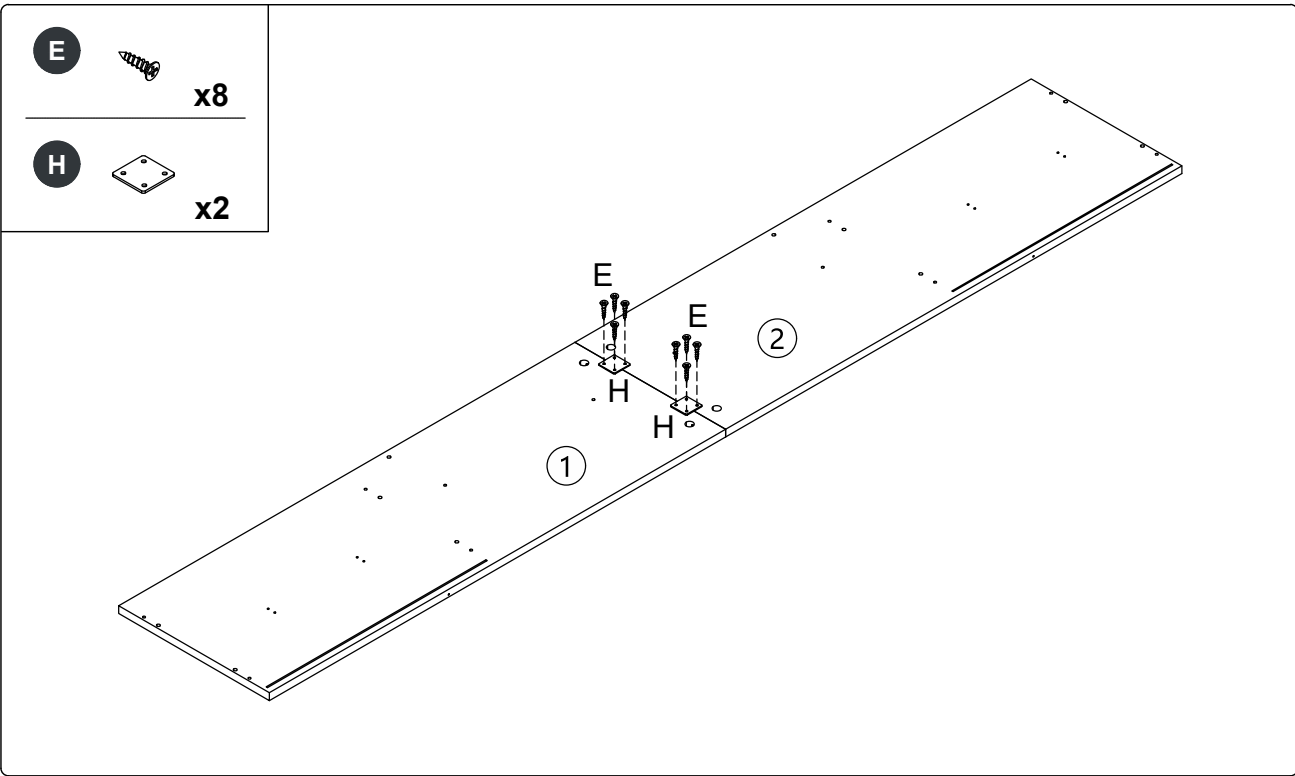
Insert wooden dowel C into panel #2, insert double-head screw D, and secure with hardware B.

Step 21



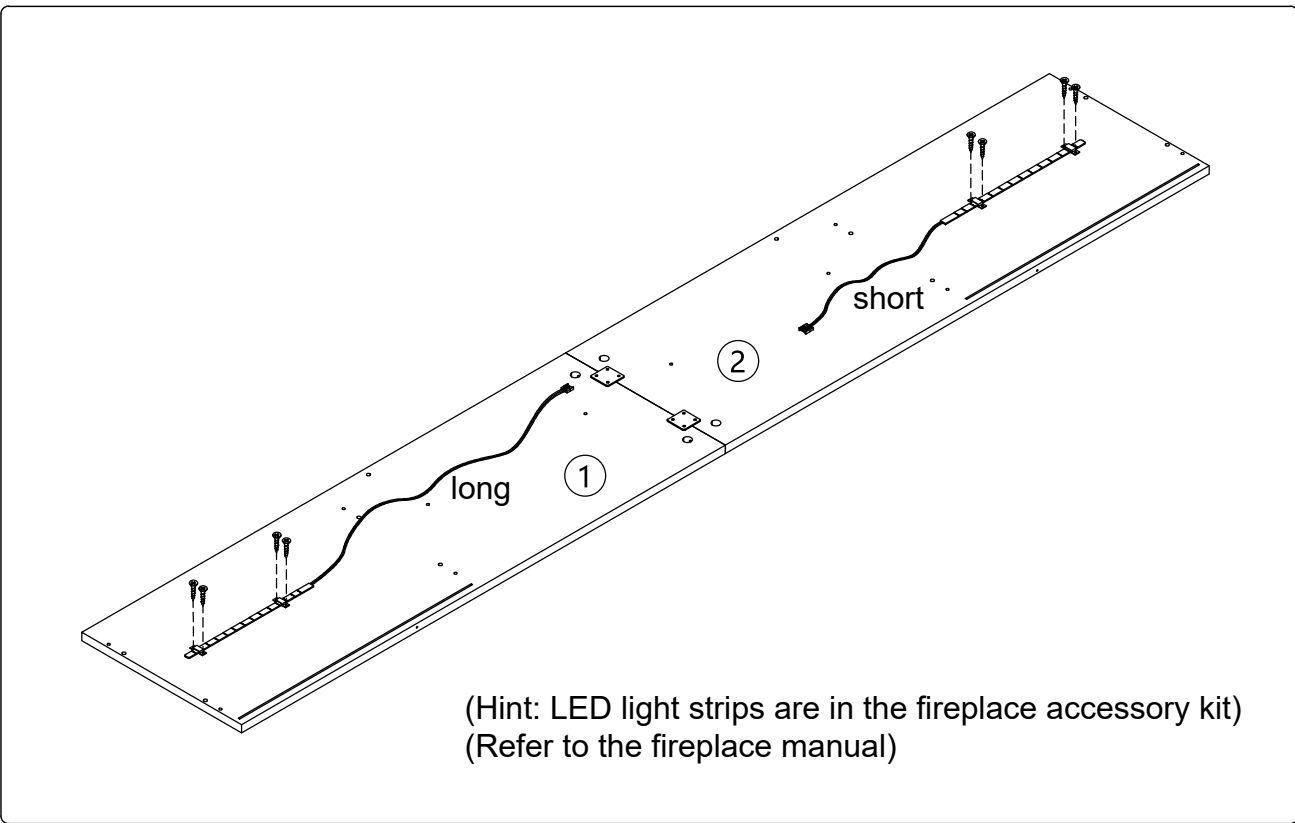
Connect panels #1, #2 and secure with hardware B.

Step 22



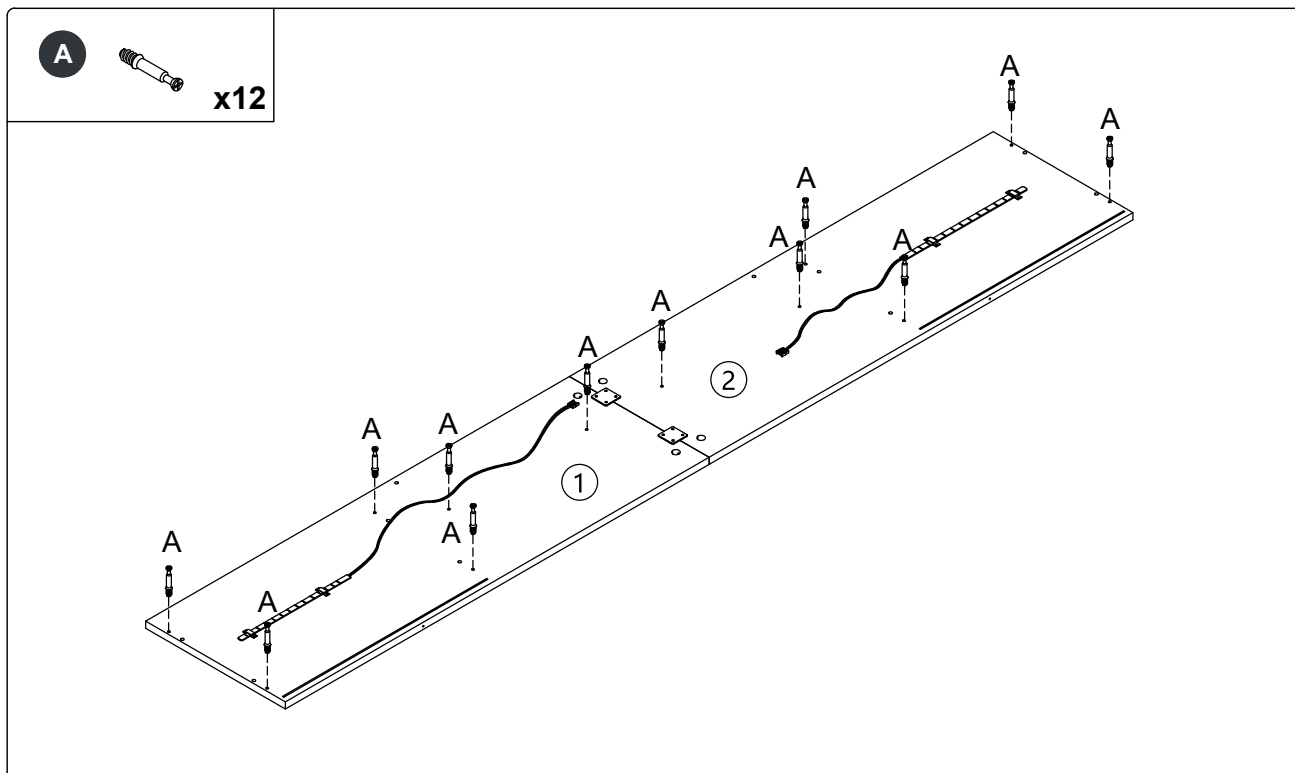
Use screw E to secure the connector H to panels #1, #2, fixing the panels.

Step 23



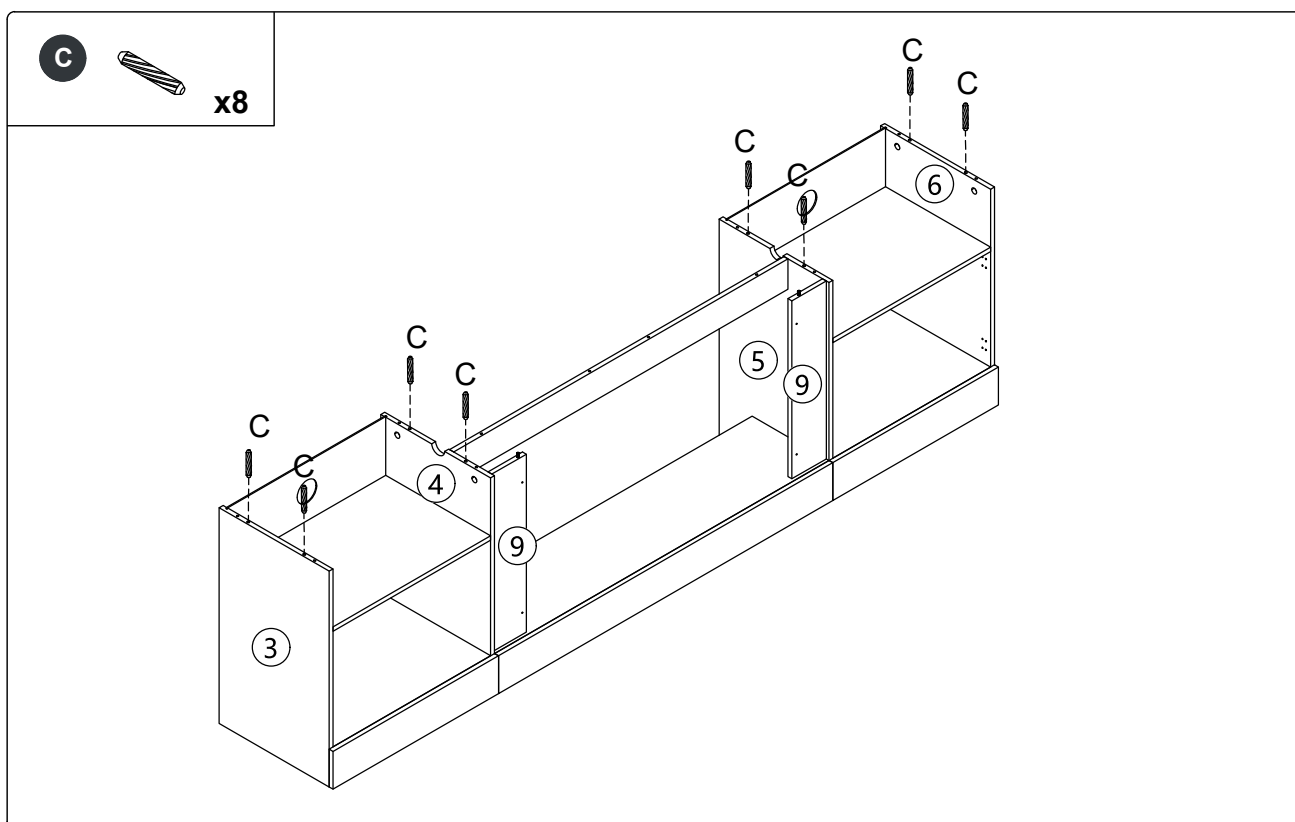
Install the long light strip on panel #1, install the short light strip on panel #2.

Step 24



Screw hardware A into the hole of panels #1, #2.

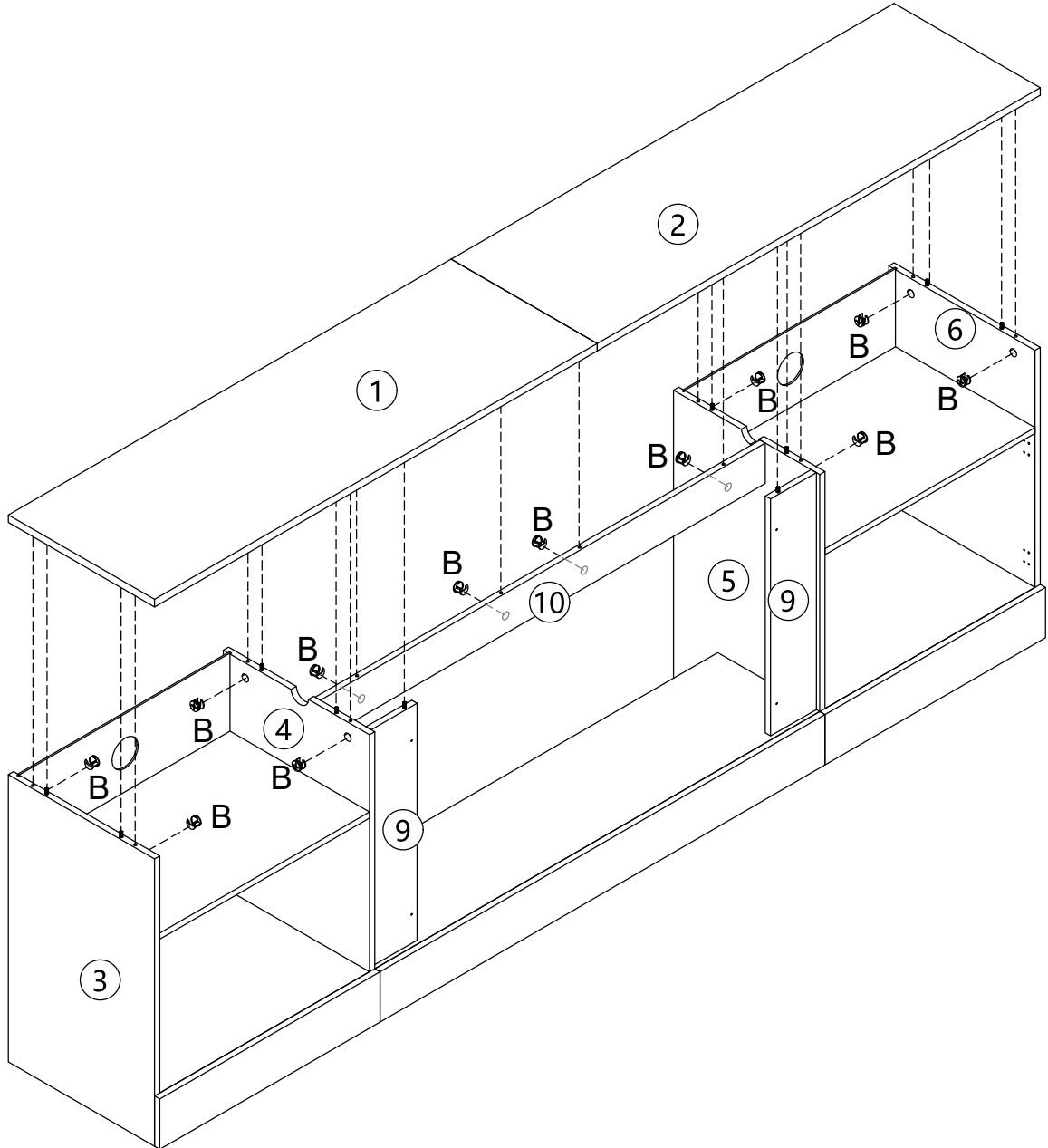
Step 25



Insert wooden dowel C into the top of panels #3, #4, #5, #6.

Step 26

B  x12

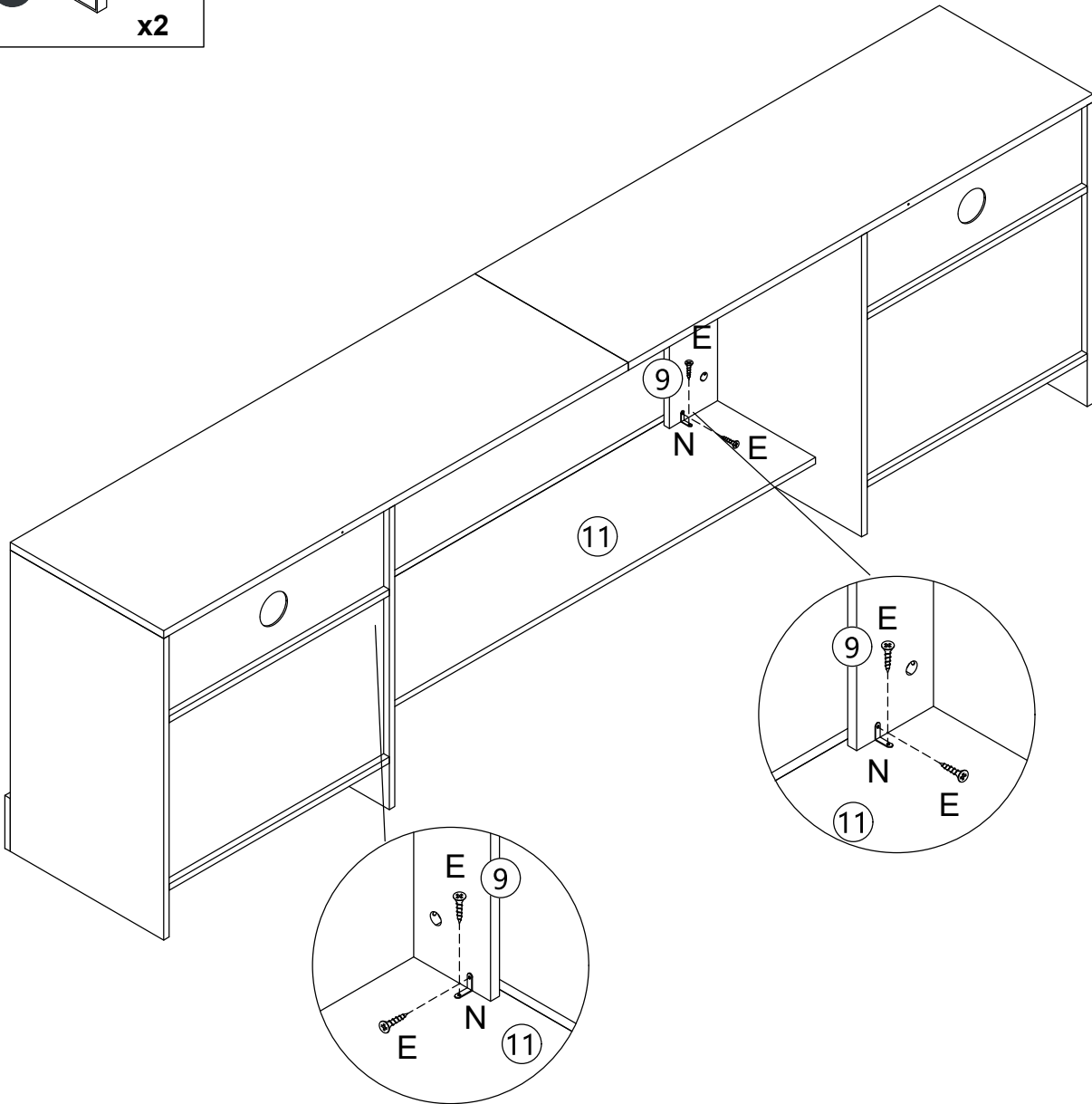


Connect panels #1, #2, #3, #4, #5, #6, #9, #10 and secure with hardware B.

Step 27

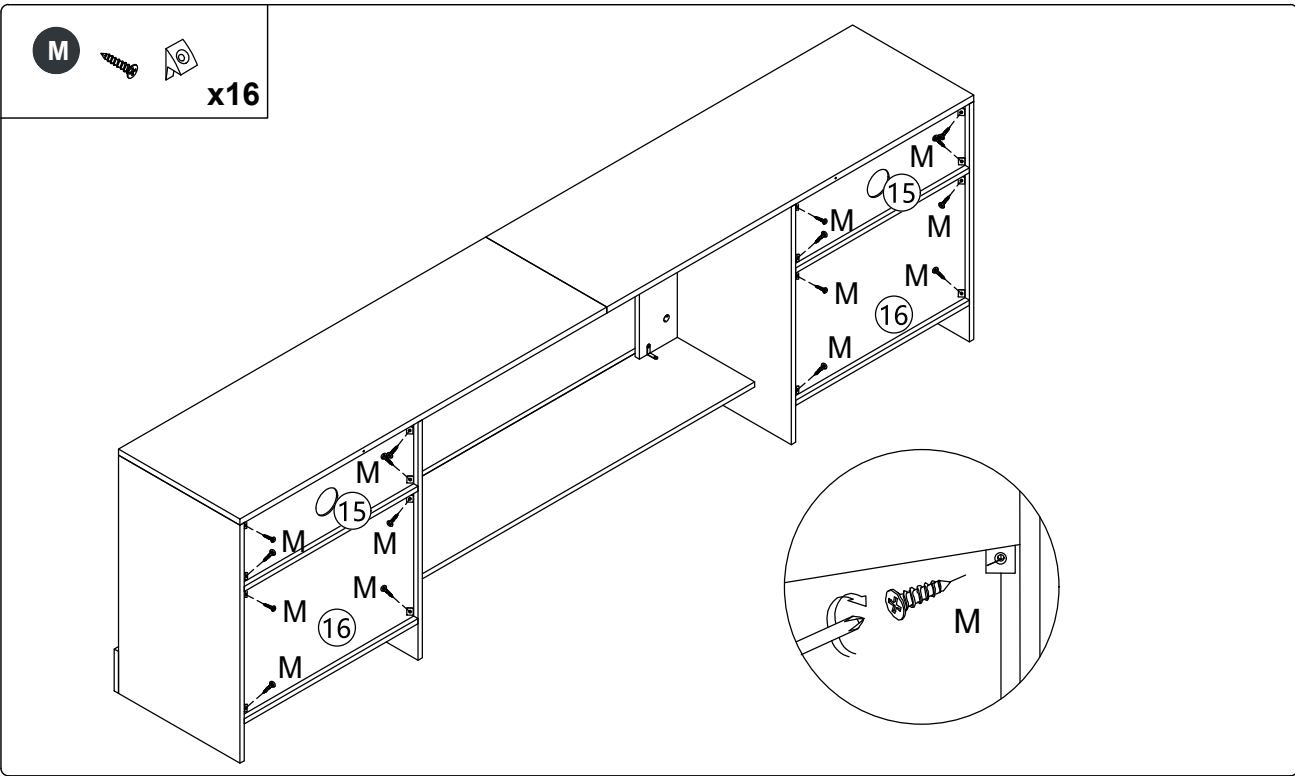
E  x4

N  x2



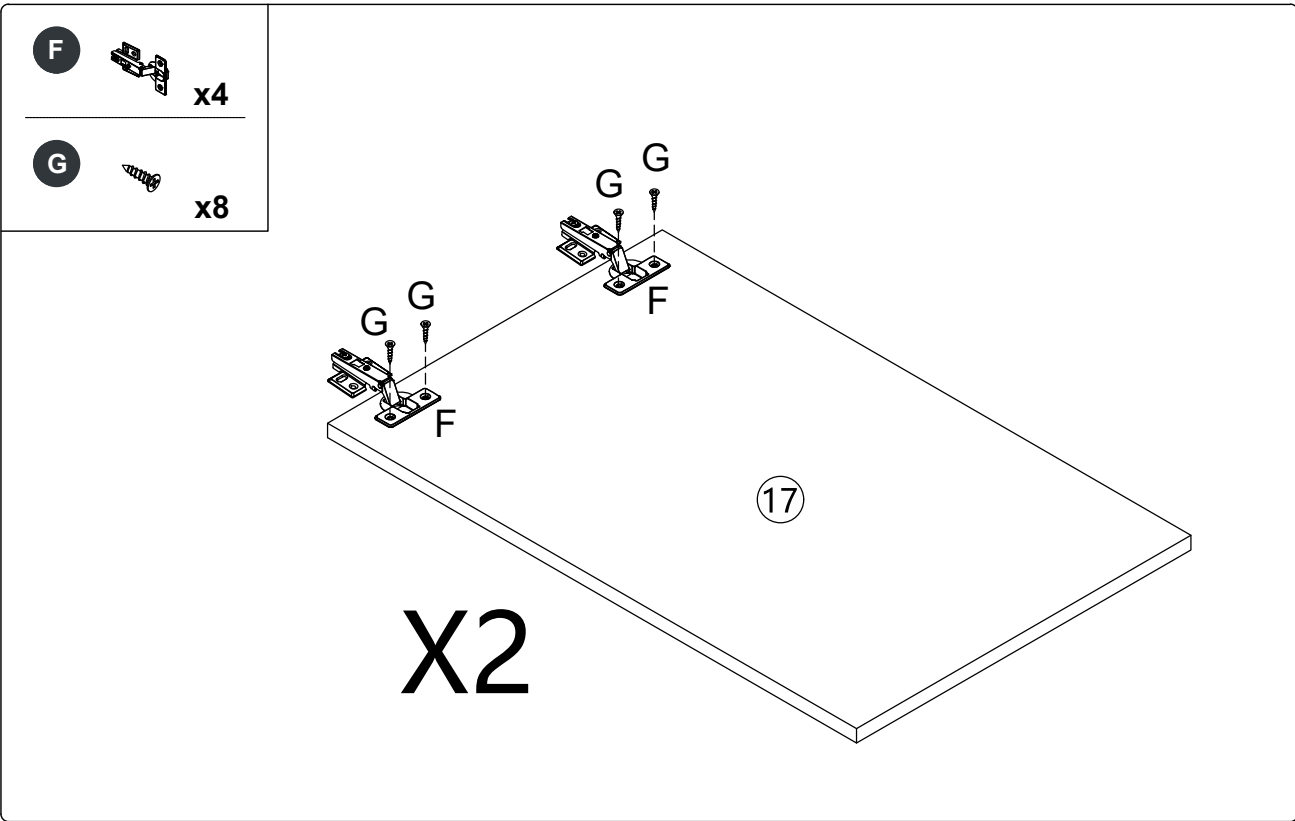
Use screw E to secure the L-shaped connector N to panels #9, #11, fixing the panels.

Step 28



Use screw M to secure the white clips to #15, #16, fixing the back panel.

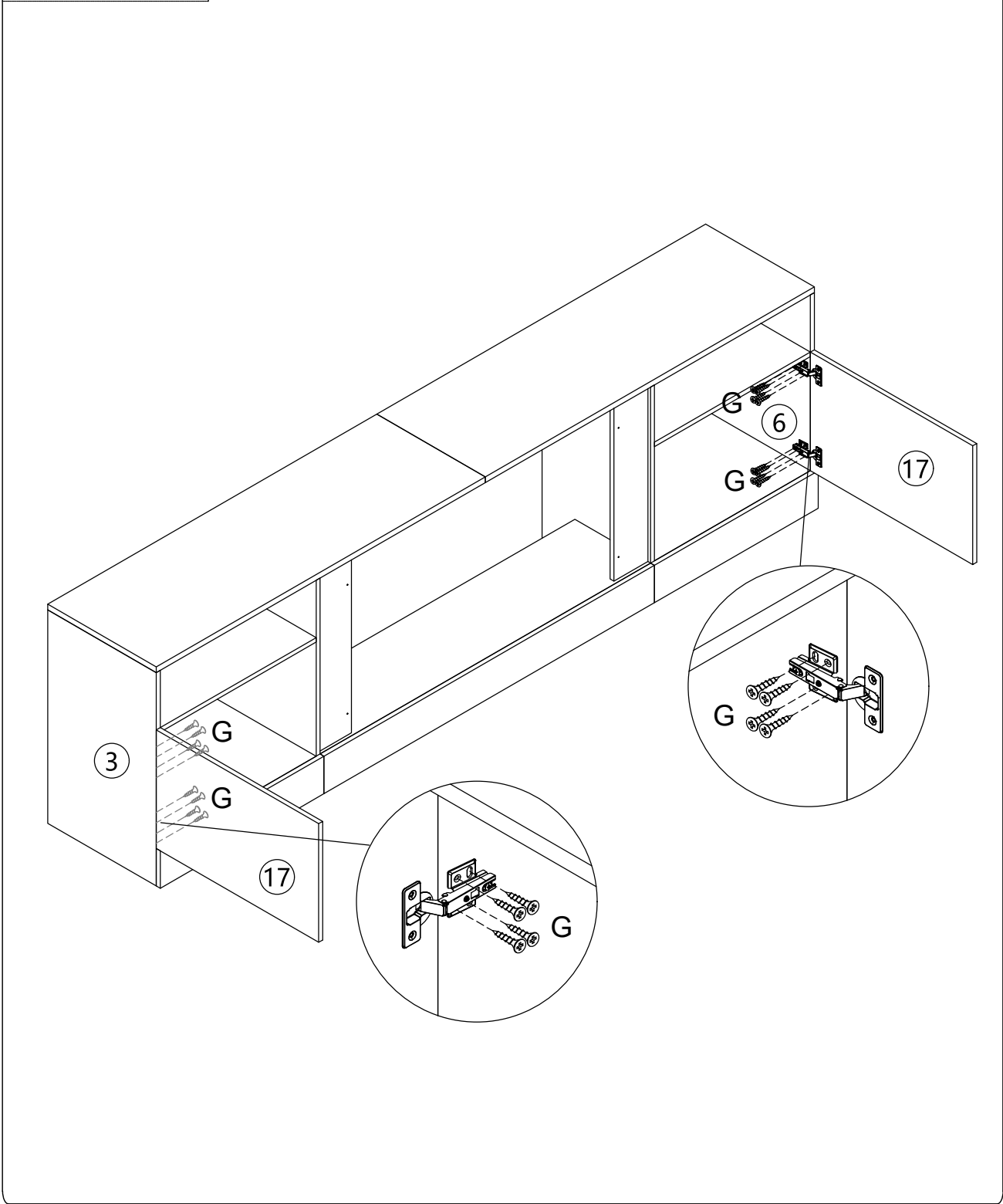
Step 29



Use screw G to secure the door hinge F to panel #17, repeat 2 times.

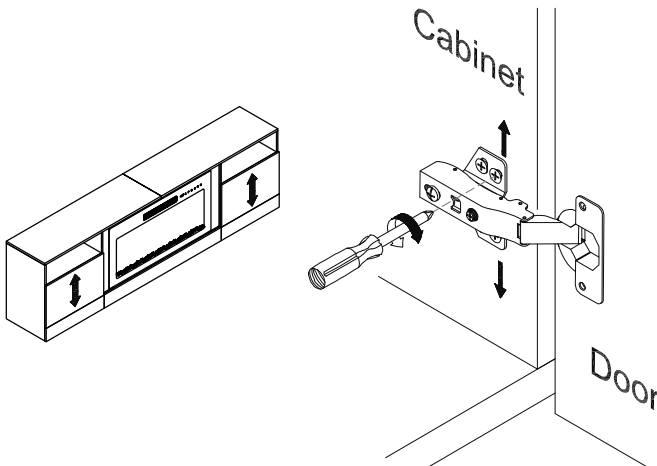
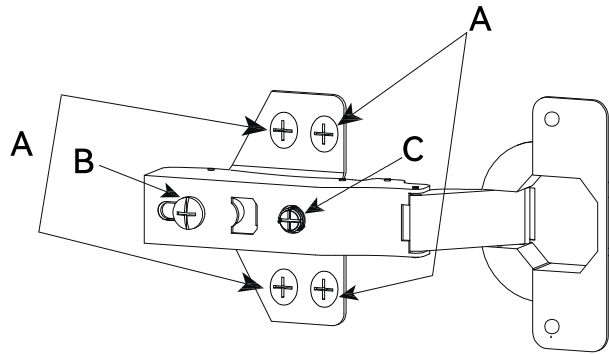
Step 30

G  **x16**



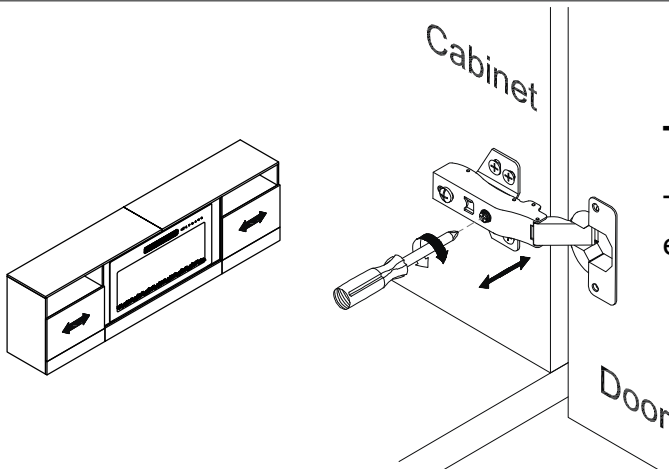
Connect panels #3, #6, #17 and use screw G to secure the door hinge F.

Adjust the hinges



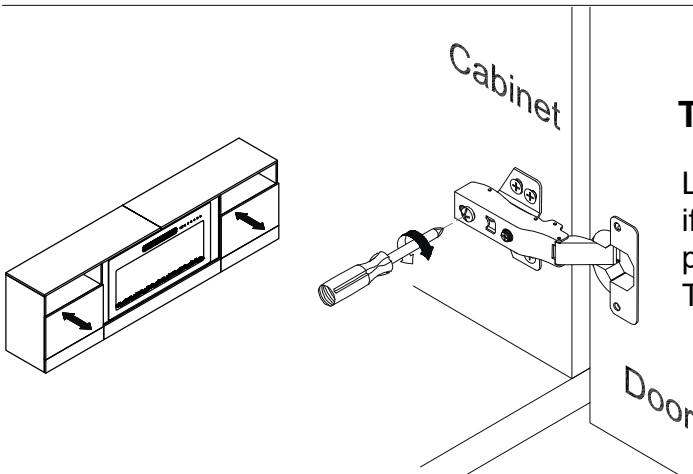
To adjust the vertical height.

Loosen the two screws "A" on both hinges. They are usually in slotted holes which allows you to adjust up or down by a few mm. Then tighten back up.



To adjust side ways.

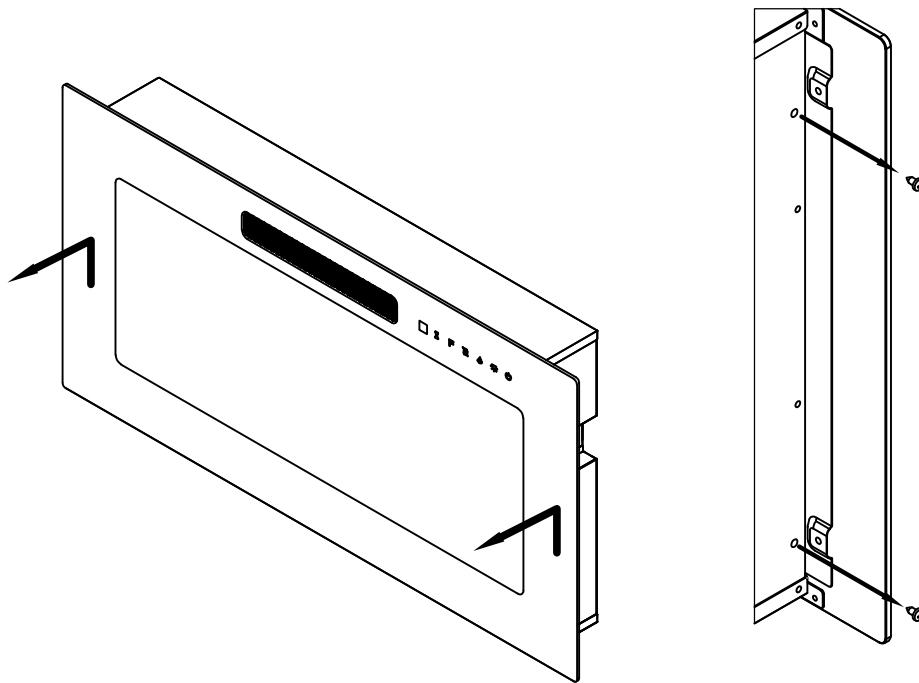
Turning the screw "C" on BOTH hinges on each door.



To adjust depth.

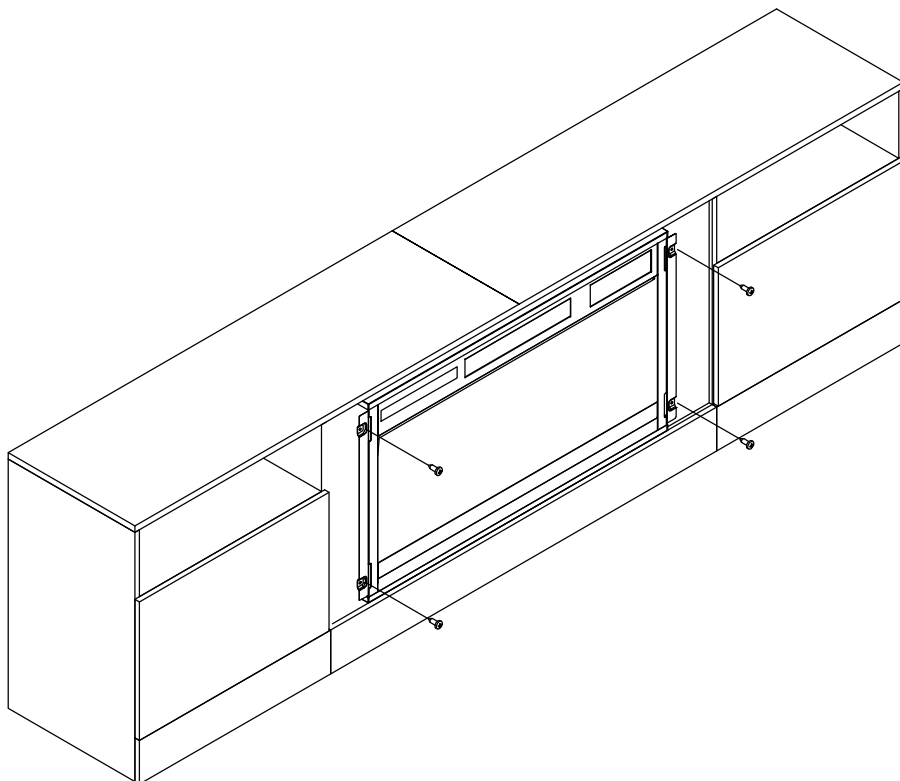
Loosen screw "B" and adjust door, if the door can not be adjusted, please loosen screw "C", then try again. Tighten screw "B" and "C".

Step 31

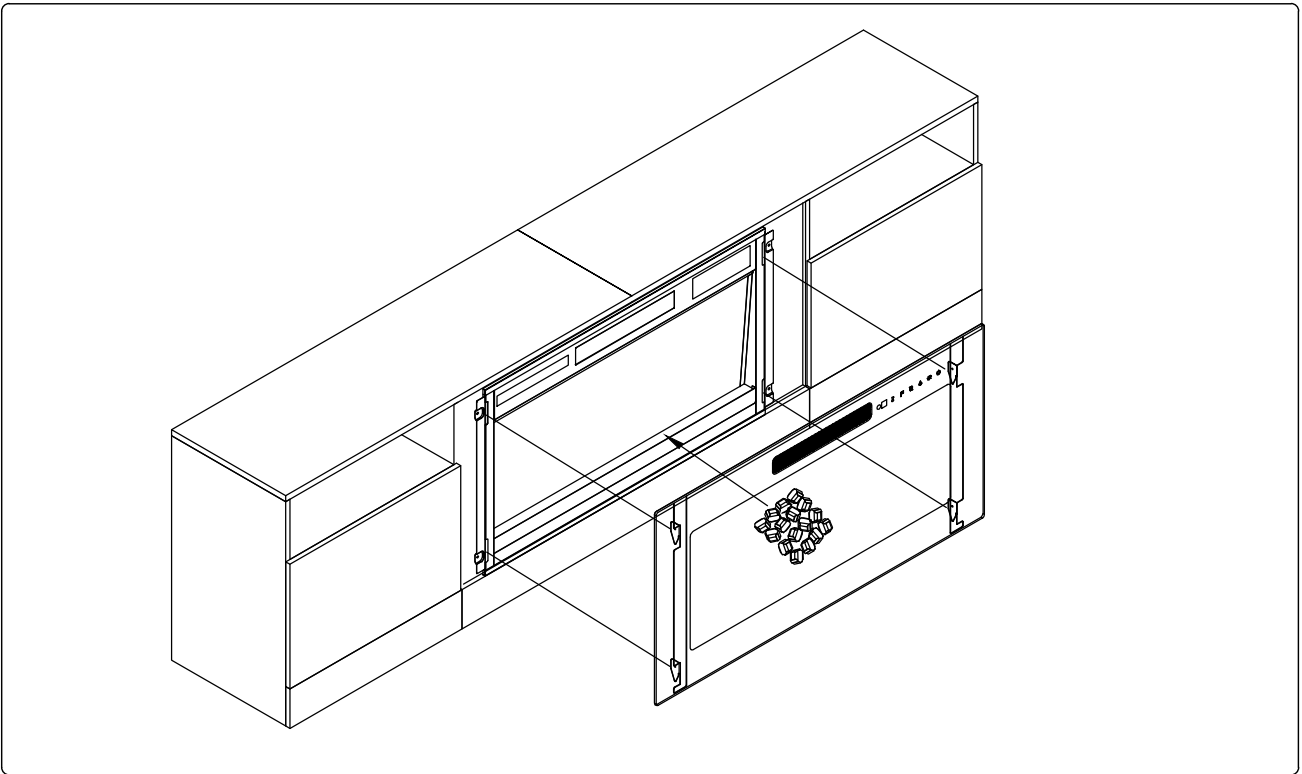


Remove the external glass panel of the fireplace. (Refer to the fireplace manual)

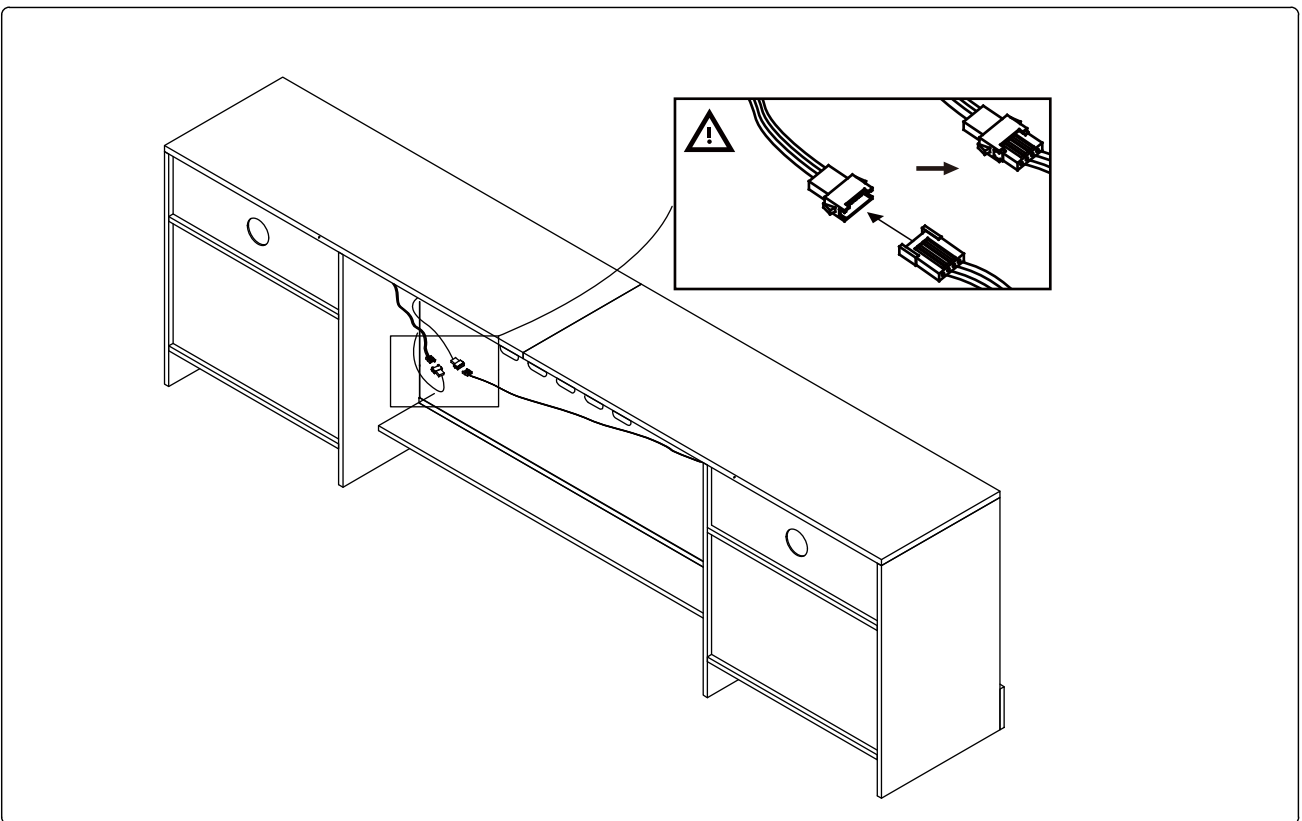
Step 32



Install the fireplace into the cabinet. (Refer to the fireplace manual)

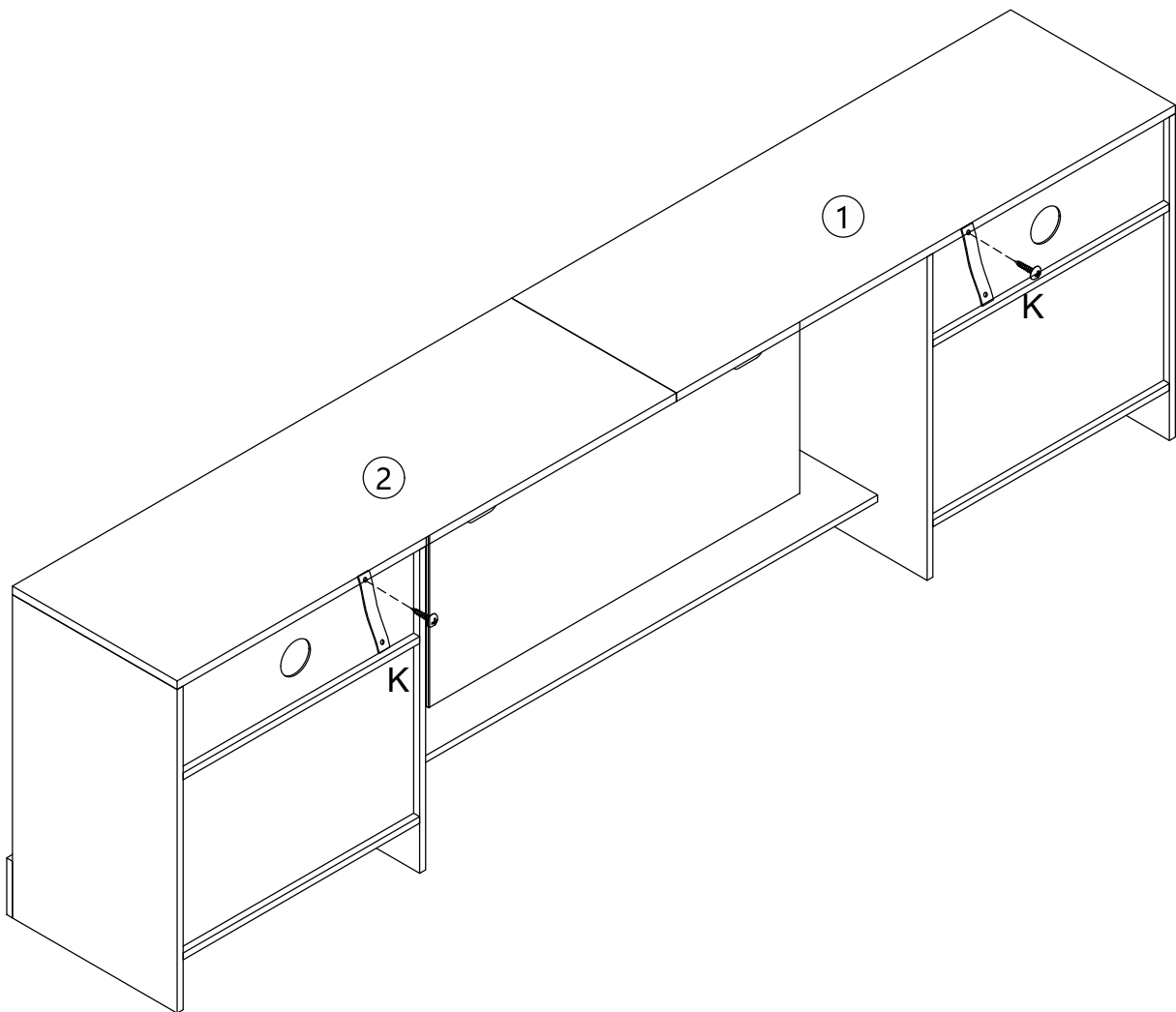
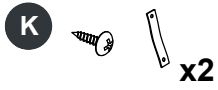
Step 33

Reinstall the external glass panel of the fireplace. (Refer to the fireplace manual)

Step 34

Connect the light strip clips. (Refer to the fireplace manual)

Step 35

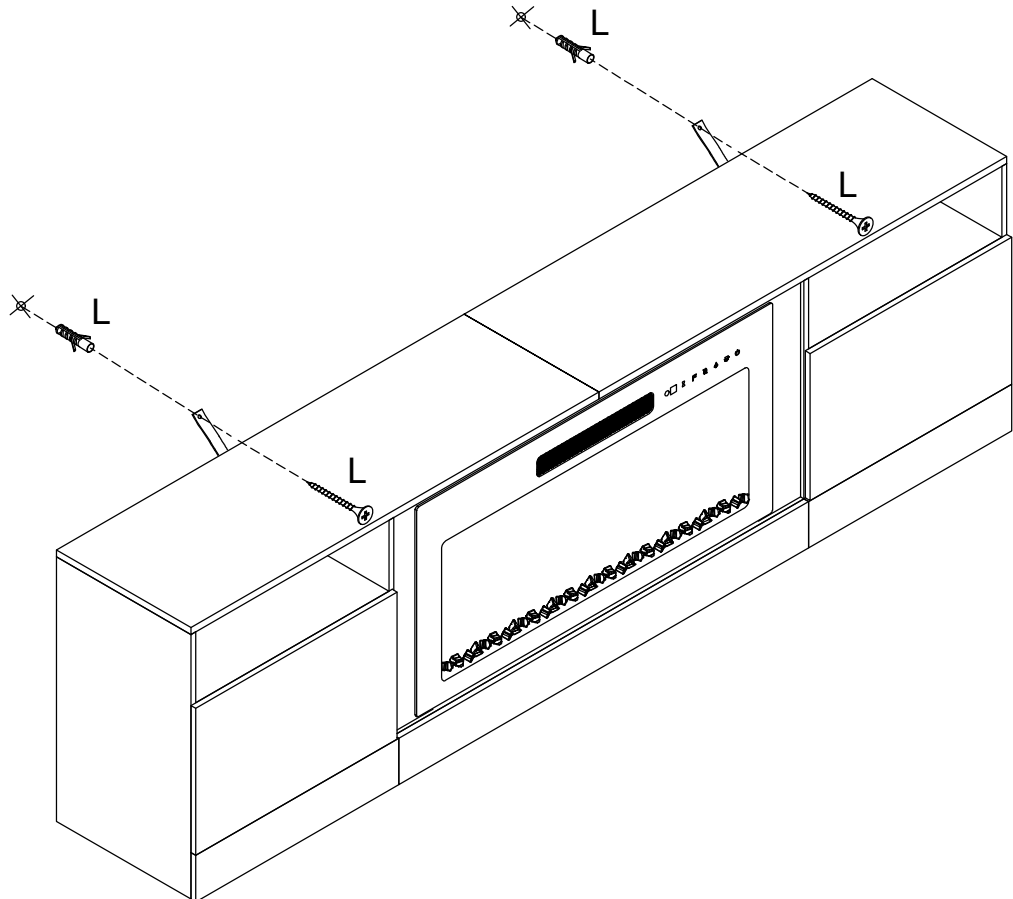


Secure the anti-tip fabric band with screw K to the back of panels #1, #2.

Step 36



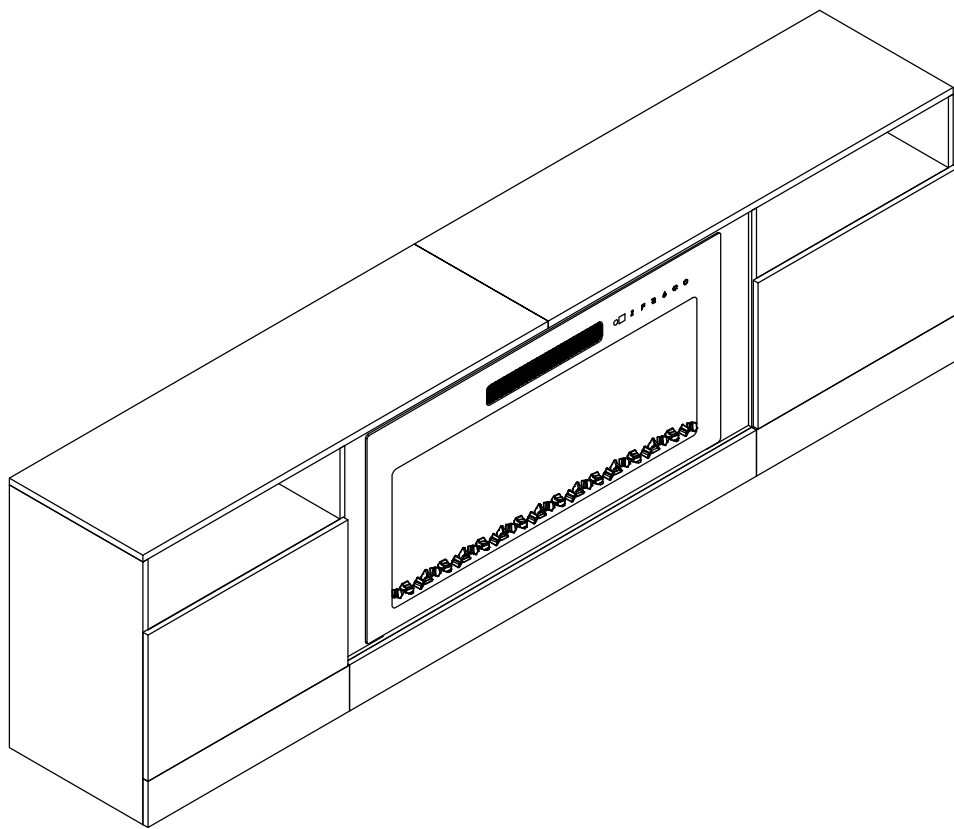
wall



1. Drill holes in the wall with a drill.
2. Insert expansion screw caps into the wall.
3. Use screw L to secure the cabinet to the wall.

Step 37

EN



Assembly is complete

| TV Stand

SKU:
BK24YO-2H0A0
BK24YO-2H0B0

V1.0