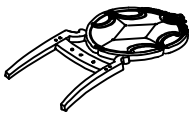
















# ASSEMBLY INSTRUCTION

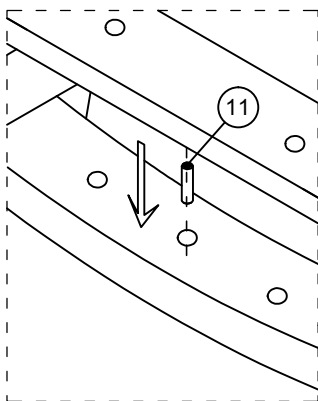
## ARM CHAIR

Thank you for purchasing this quality product. Be sure to check all packing material carefully for small parts which may have come loose inside the carton during shipment. Separate, identify and count all parts and metal hardware. Compare with parts list to be sure all parts are present. If any part(s) are missing or damaged, please contact your local furniture dealer. For efficient and speedy service, please indicate the model number and code letter of part(s) needed.

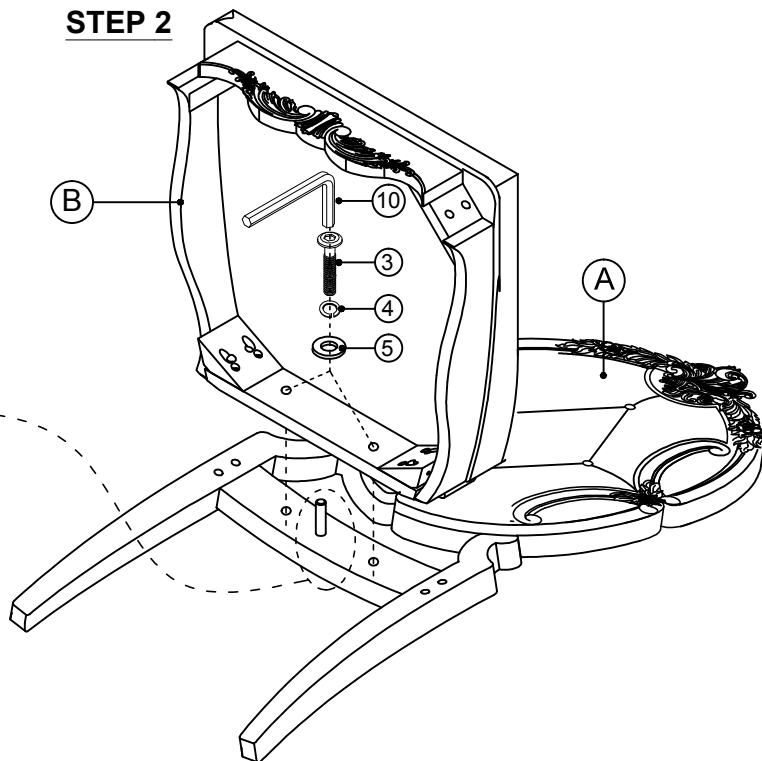
\*\*\* Do not fully tighten screws until fully assembled \*\*\*

PARTS LIST				HARDWARE LIST			
NO	DESCRIPTION	SKETCH	QTY	NO	DESCRIPTION	SKETCH	QTY
A	BACK FRAME		1PC	1	ALLEN BOLT (Ø5/16*70MM)		4 PCS
B	SEAT FRAME		1PC	2	ALLEN BOLT (Ø5/16*60MM)		4 PCS
C	FRONT LEGS		2PCS	3	ALLEN BOLT (Ø5/16*40MM)		2 PCS
D	ARM CHAIR (L/ R)		2PCS	4	SPRING WASHER (Ø5/16*2MM)		10 PCS
				5	FLAT WASHER (Ø5/16*2MM)		10 PCS
				6	ALLEN BOLT (Ø1/4* 40MM)		2 PCS
				7	ALLEN BOLT (Ø1/4* 40MM)		2 PCS
				8	SPRING WASHER (Ø1/4*2MM)		4 PCS
				9	FLAT WASHER (Ø1/4*2MM)		4 PCS
				10	ALLEN KEY (M4)		1 Pc
				11	WOOD DOWEL (Ø10*35MM)		1 Pc

### STEP 1



### STEP 2



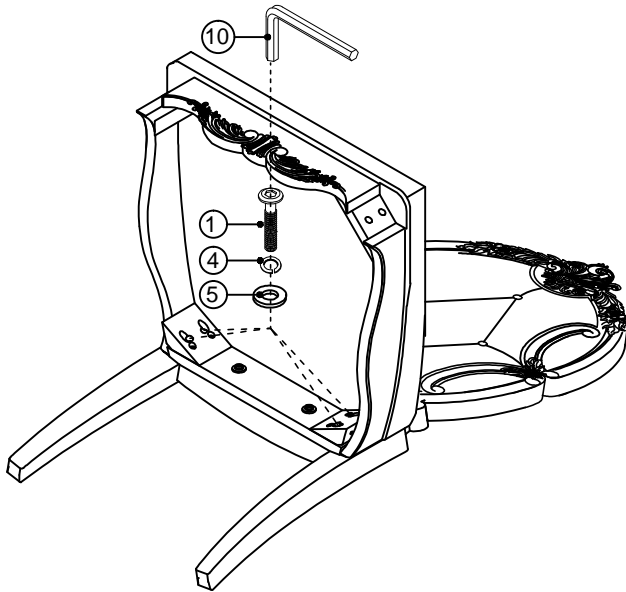
# ASSEMBLY INSTRUCTION

## ARM CHAIR

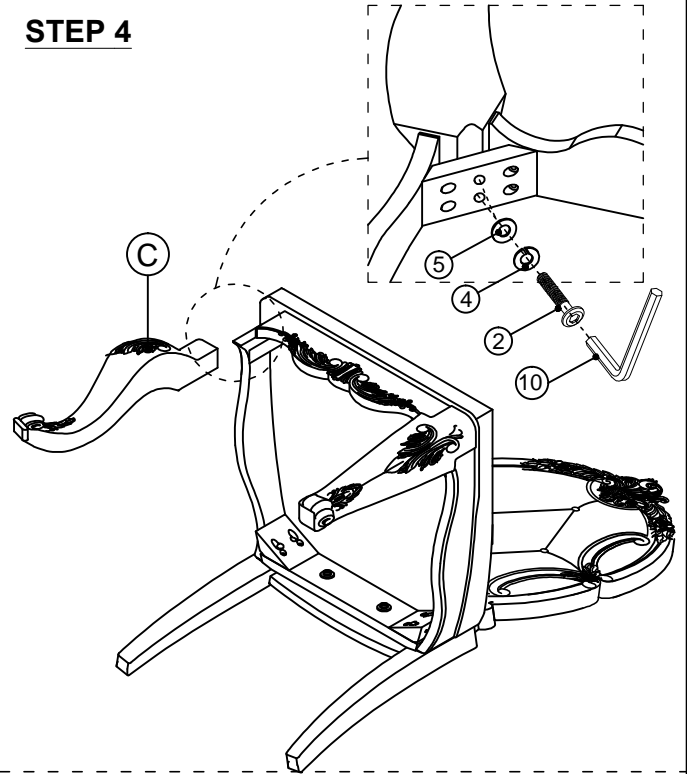
Thank you for purchasing this quality product. Be sure to check all packing material carefully for small parts which may have come loose inside the carton during shipment. Separate, identify and count all parts and metal hardware. Compare with parts list to be sure all parts are present. If any part(s) are missing or damaged, please contact your local furniture dealer. For efficient and speedy service, please indicate the model number and code letter of part(s) needed.

\*\*\* Do not fully tighten screws until fully assembled \*\*\*

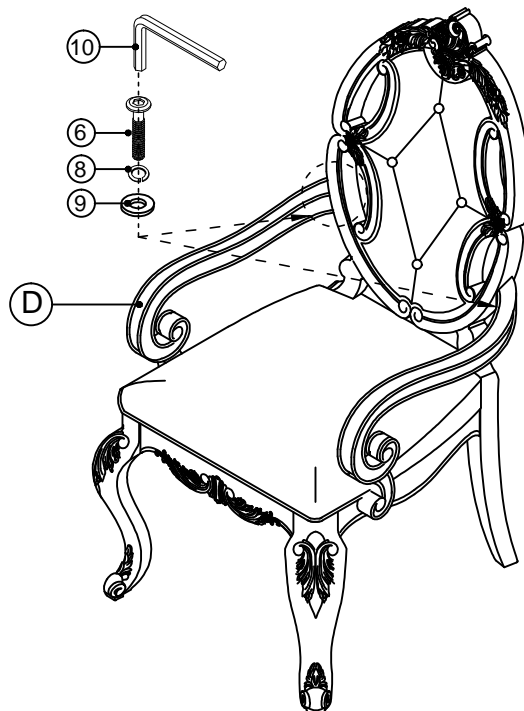
### STEP 3



### STEP 4



### STEP 5



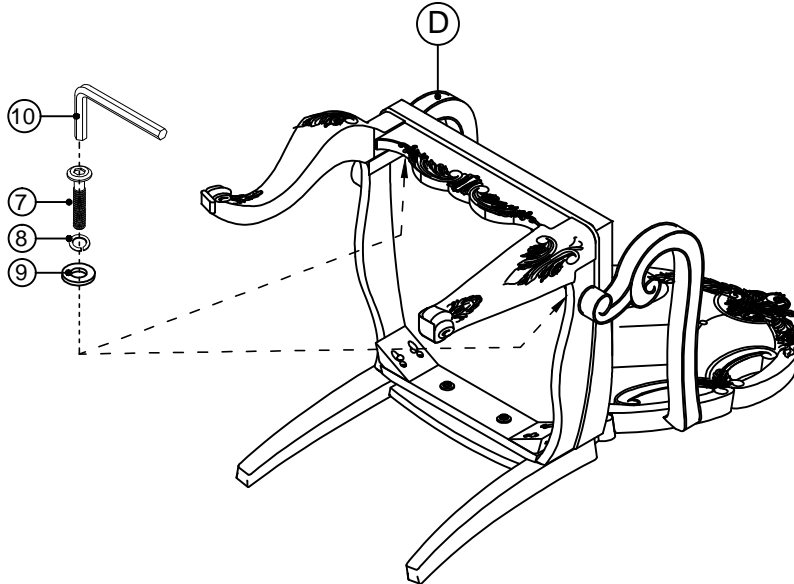
# ASSEMBLY INSTRUCTION

## ARM CHAIR

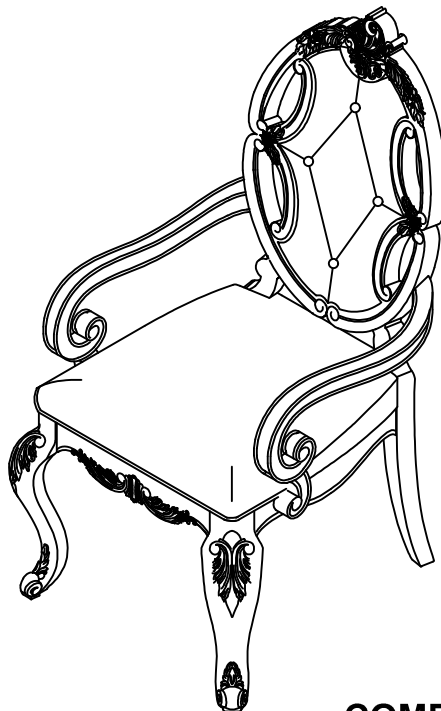
Thank you for purchasing this quality product. Be sure to check all packing material carefully for small parts which may have come loose inside the carton during shipment. Separate, identify and count all parts and metal hardware. Compare with parts list to be sure all parts are present. If any part(s) are missing or damaged, please contact your local furniture dealer. For efficient and speedy service, please indicate the model number and code letter of part(s) needed.

\*\*\* Do not fully tighten screws until fully assembled \*\*\*

### STEP 6



### STEP 7



**COMPLETED**