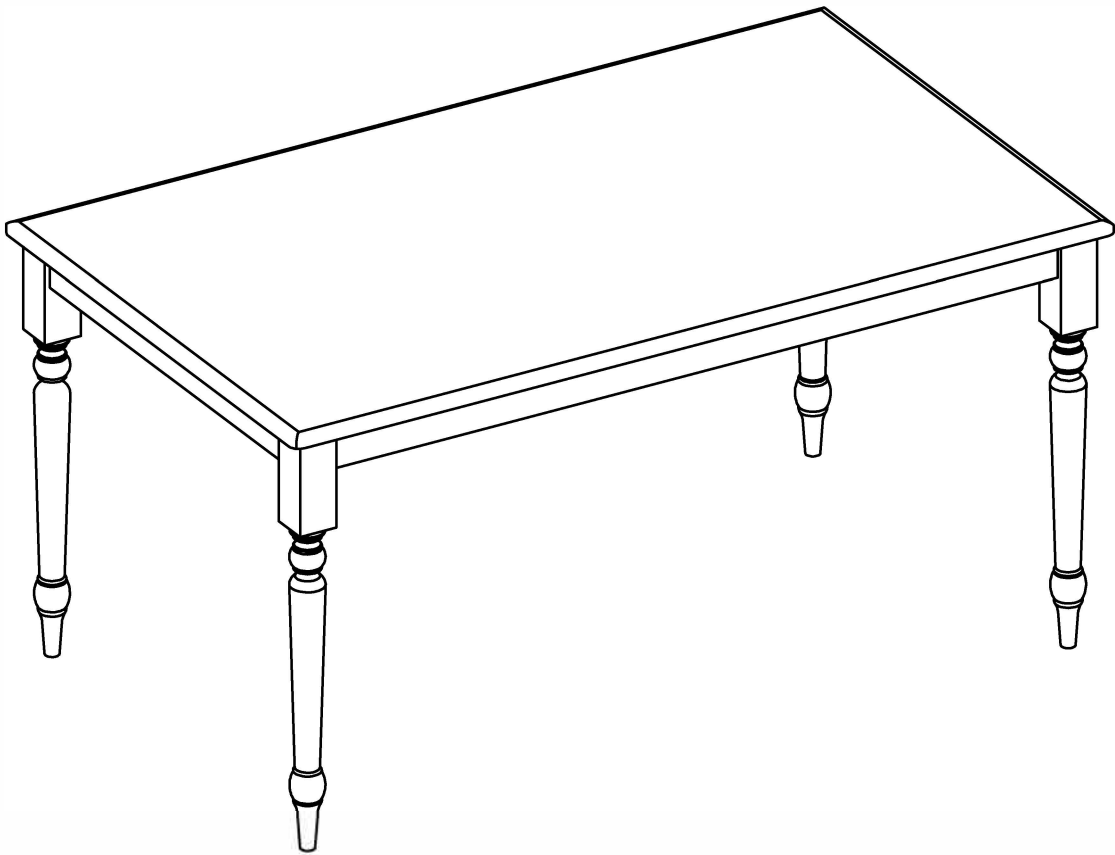
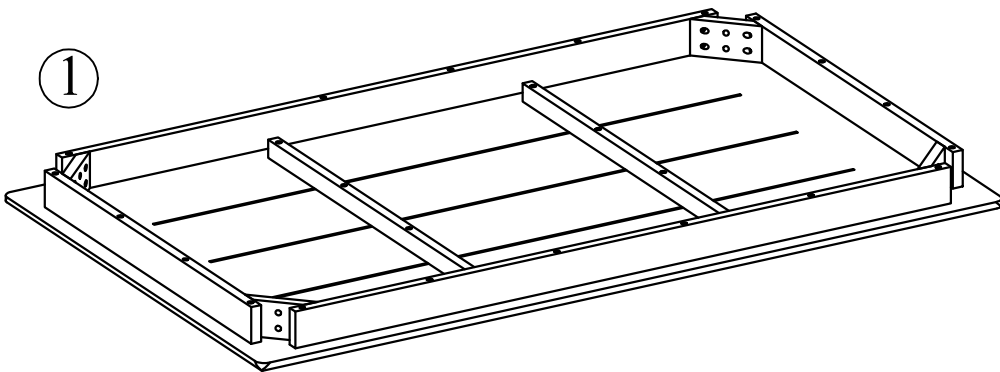
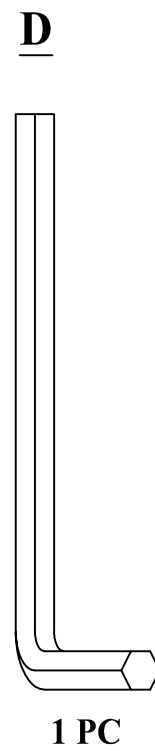
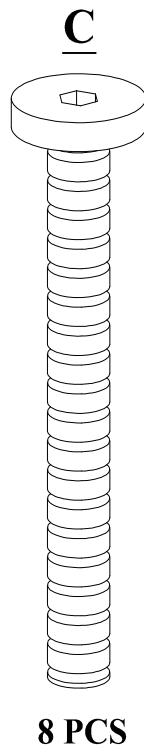
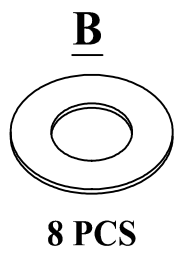
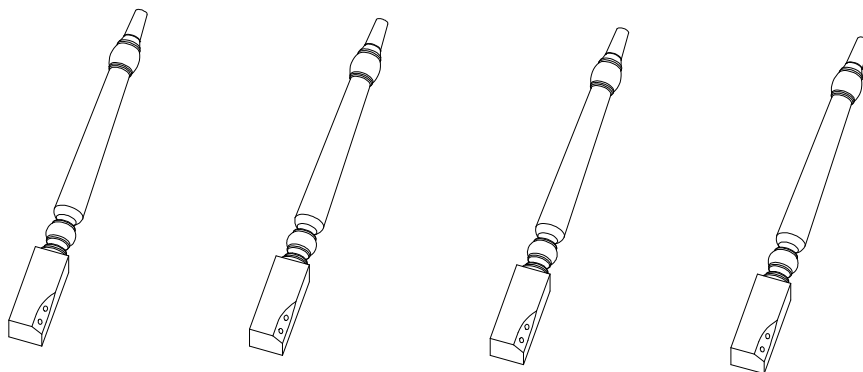


TABLE
ASSEMBLY INSTRUCTIONS

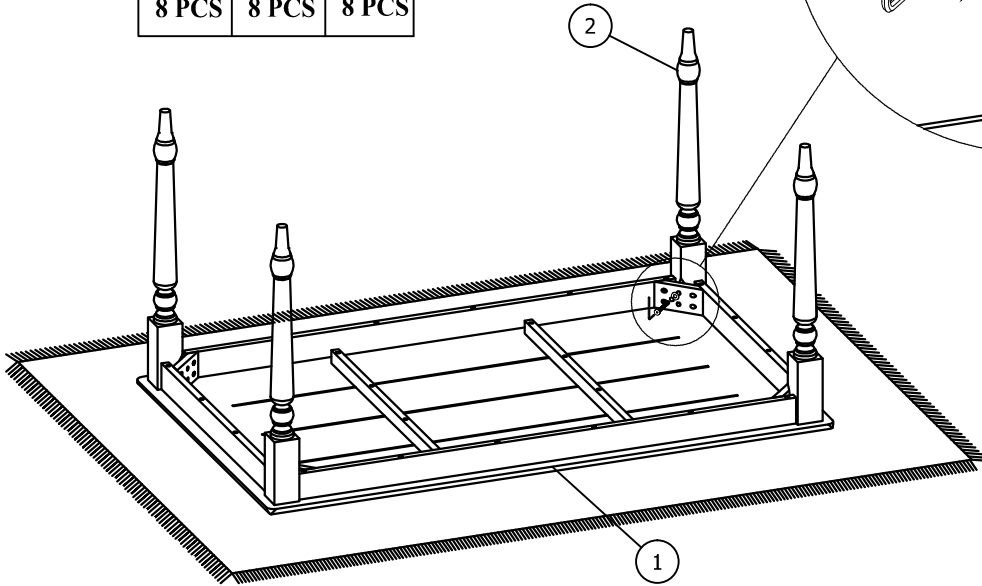
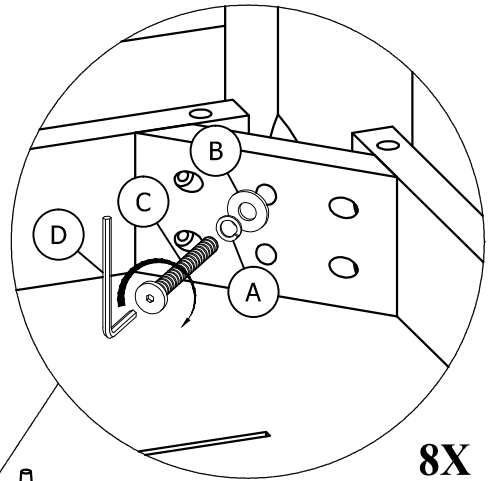
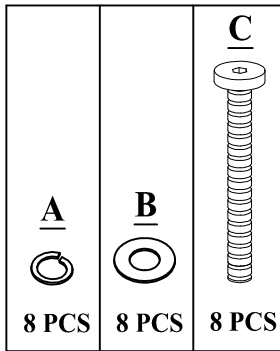




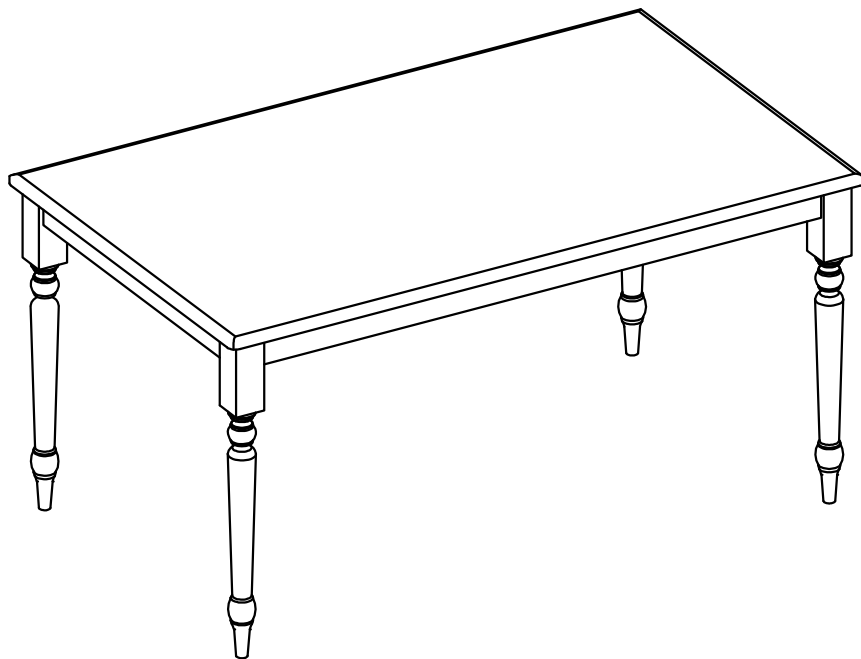
②



01



TIGHTEN BOLT COMPLETELY.



BE SURE TO CHECK ALL BOLTS ARE SECURELY TIGHTENED PRIOR USING THIS TABLE.