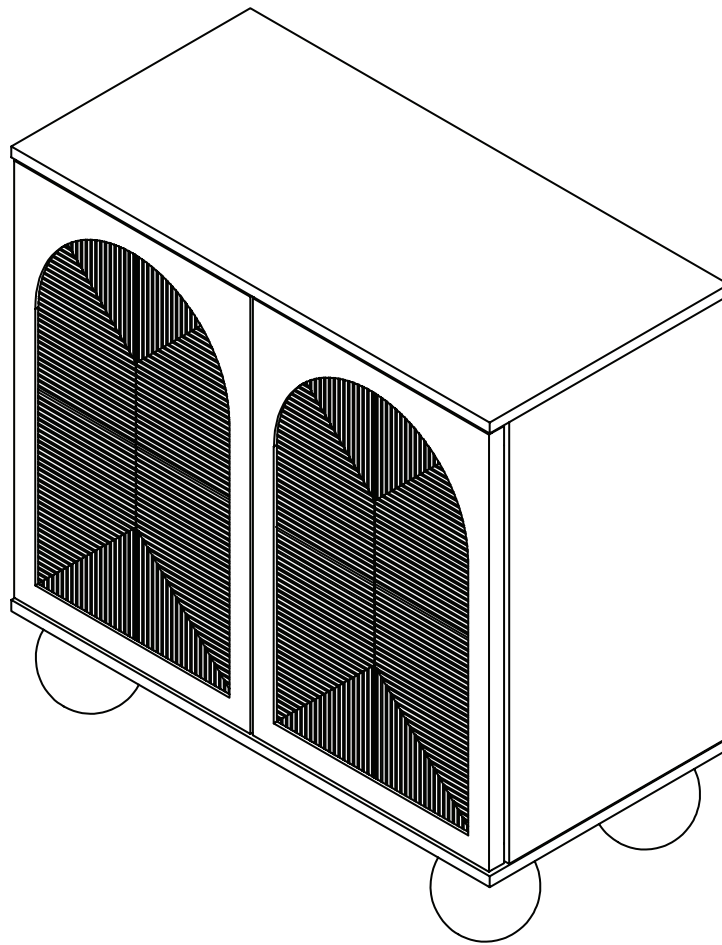


Let's build the

# Leah Storage Cabinet

SKU 73201



**Scan me!**

Free Lifetime  
Warranty

nathan james

24-1028-VN

# Ok, let's get rolling

This should be easy, just follow our instructions and you will be back to Netflix in no time.

## Estimated time for assembly



60:00

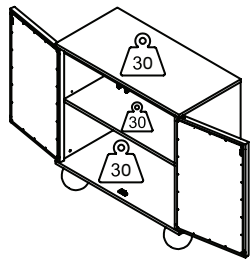
## What you need

- Some bubbly or your preferred relaxant
- Use the packaging carton as a working surface to prevent product damage during assembly
- Phillips head screwdriver
- Drill (not included)
- 1/4" Drill bit (not included)
- 5/16" Drill bit (not included)

## Weight Limitation



90  
lbs



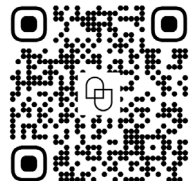
Toll-free at 1-866-619-1004  
Help@nathanjames.com  
Nathanjames.com/help

## What's included

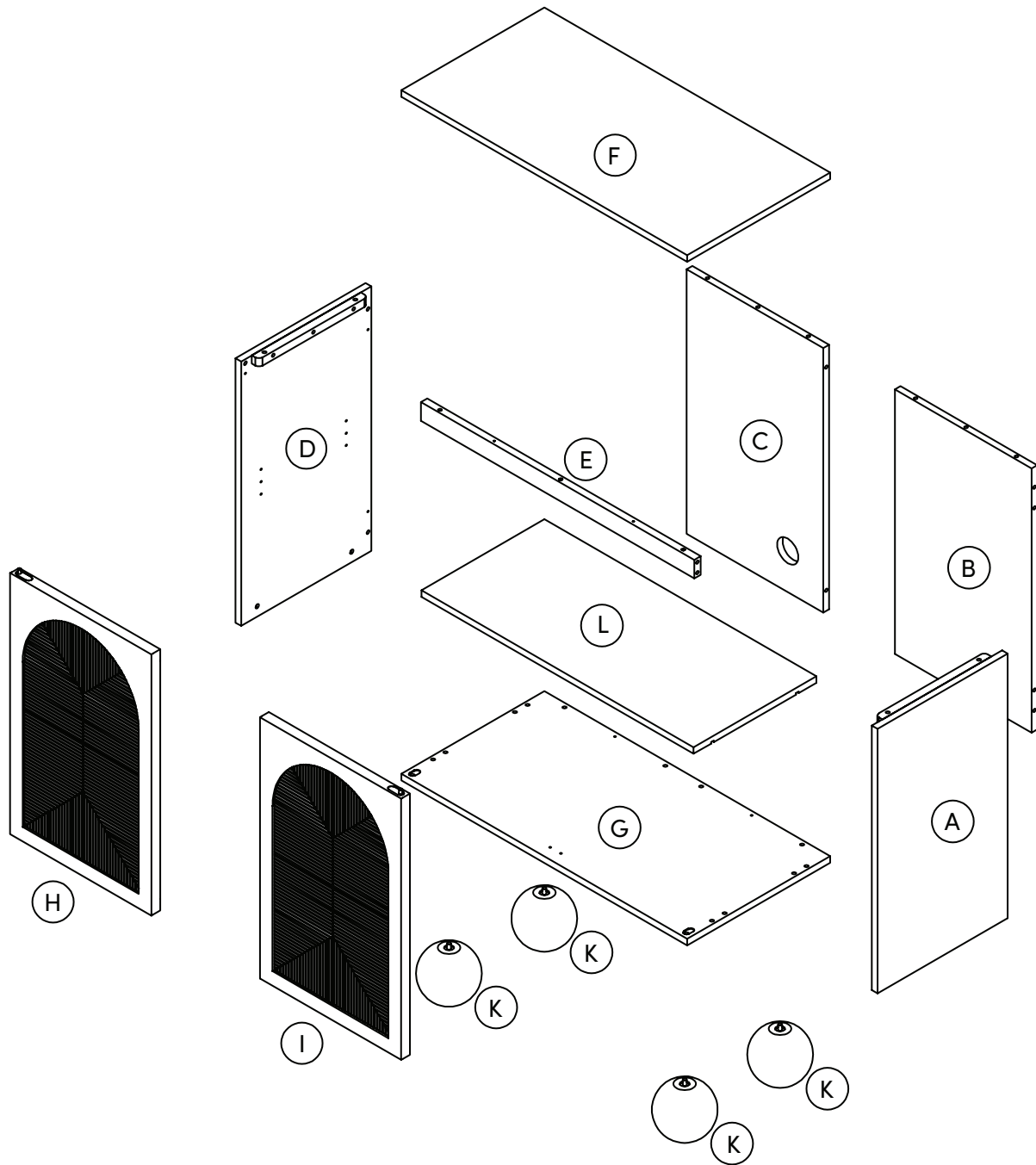
Description	Qty
A Right Side Panel	1
B Right Back Panel	1
C Left Back Panel	1
D Left Side Panel	1
E Upper Front Stretcher	1
F Top Panel	1
G Bottom Panel	1
H Left Door	1
I Right Door	1
K Legs	4
L Shelf	1

Scan me!

Free Lifetime  
Warranty



# The goods



## IMPORTANT

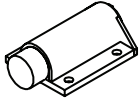
1. Do not tighten bolts / screws completely until all bolts / screws are lined up and inserted into holes.
2. Do not over tighten screws and bolts to avoid stripping.
3. Please use hand tools to assemble this product. Do not use power tools for assembly.

# What's included

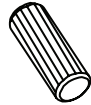
	Description	Qty
1	Magnetic Push Latch	2
2	Ø8 x 30mm Wooden Dowel	21
3	Cam Bolt	10
4	Cam Lock	10
5	Ø1/4 x 25mm Hex Button Head Bolt	4
6	Ø1/4" x 40mm Hex Button Head Bolt	4
7	M4 x35mm Screw	2
8	M3 x15mm Screw	10
9	Ø1/4" x 10mm Spring Washer	8
10	Ø1/4" x 13mm Flat Washer	8
11	Plastic Sleeve Washer	4
12	Shelf Support Pin	4
13	Barrel Nuts	4
14	Magnetic Door Catch	1
15	Allen Key	1
16	Adjustable Leveler (Extra)	3
17	Plastic Sleeve Washer (Extra)	4
18	Ø8 x 30mm Wooden Dowel (Extra)	4
19	Drywall Anchor (Anti-Tip Kit)	2
20	Plastic Bracket (Anti-Tip Kit)	2
21	Non - Drywall Anchor (for Anti-Tip Kit)	2
22	M4x50mm Screw (for Anti-tip)	2
23	Plastic Tether (Anti-Tip Kit)	1
24	M3.5x15mm Screw (for Anti-tip)	2

# The goods

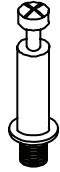
1



2



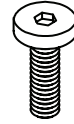
3



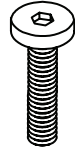
4



5



6



7



8



9



10



11



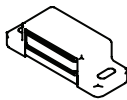
12



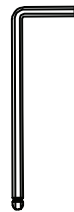
13



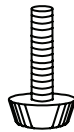
14



15



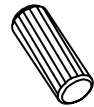
16



17



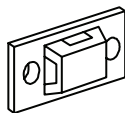
18



19



20



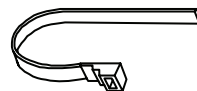
21



22



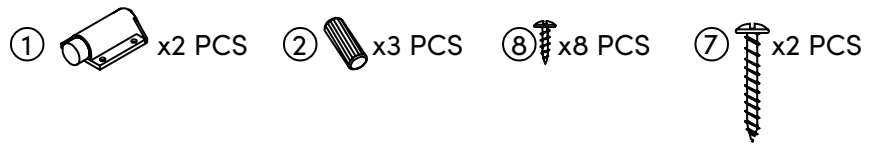
23



24

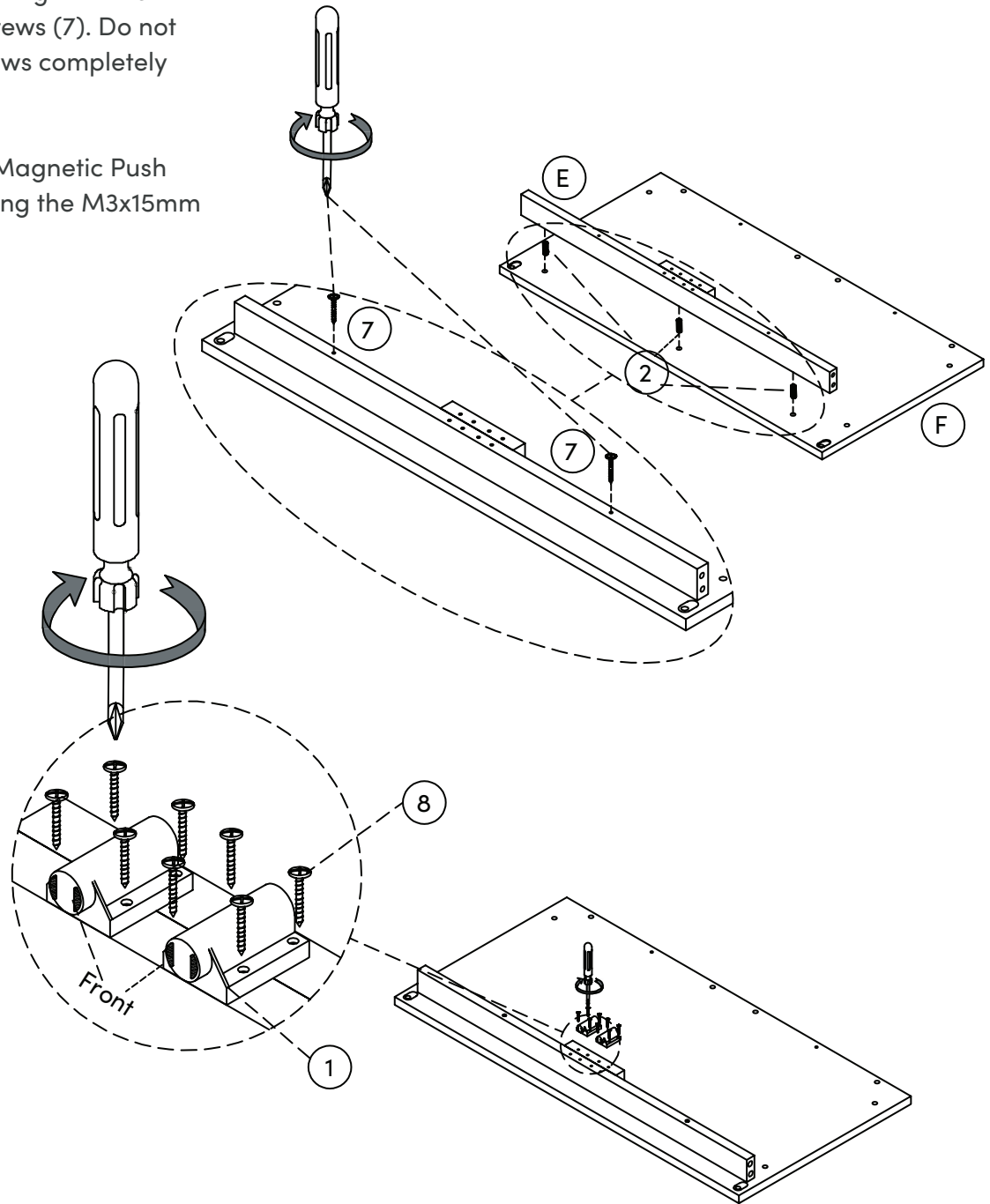


# Step 1



Insert the  $\varnothing 8 \times 30\text{mm}$  Wooden Dowels (2) into the designated holes on the side panels. Align the parts, ensuring proper orientation before securing with the M4 x 35mm Screws (7). Do not tighten screws completely yet.

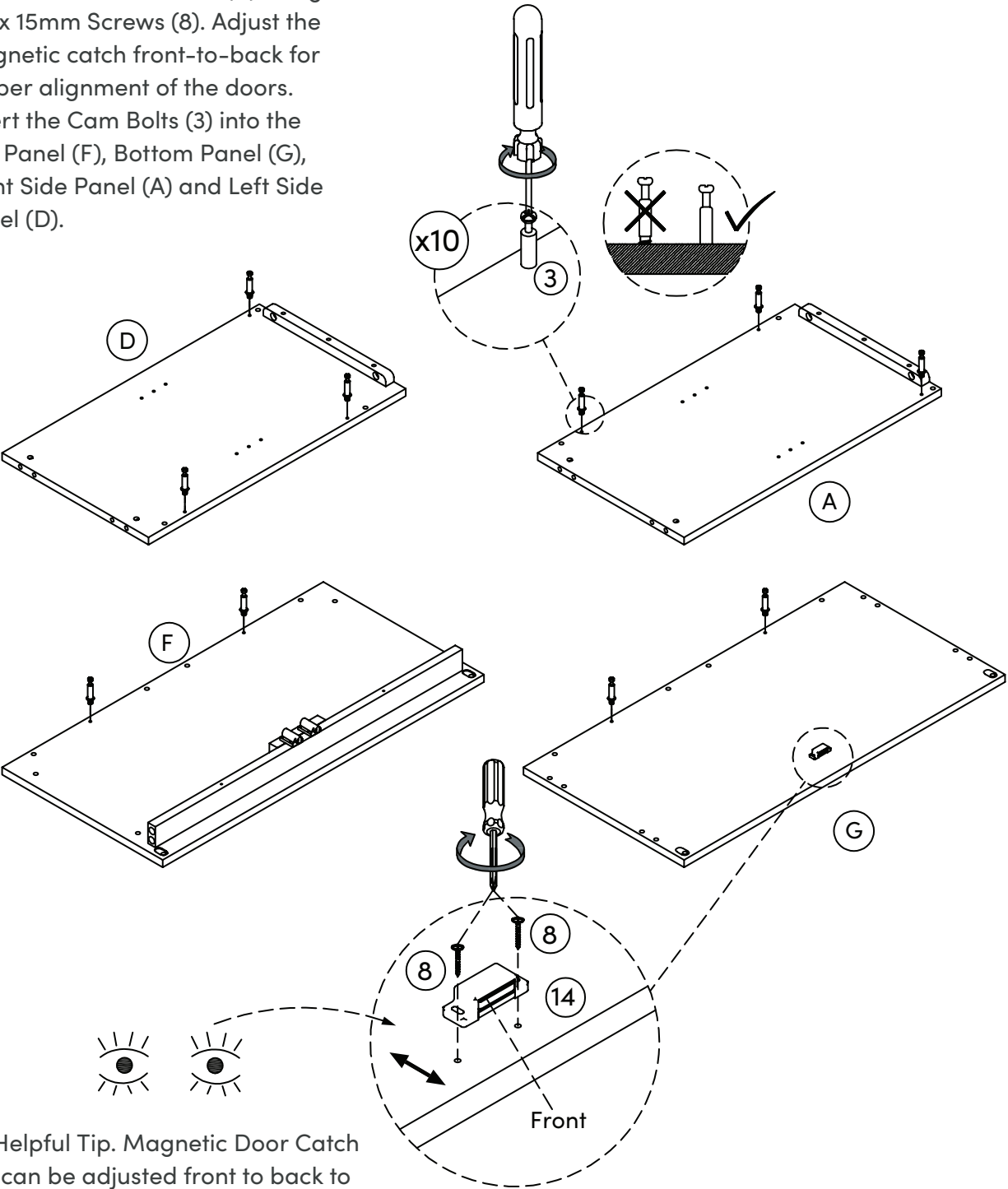
Attach the Magnetic Push Latch (1) using the M3x15mm Screws (8).



# Step 2


- ③ x10 PCS
- ⑧ x2 PCS
- ⑭ x1 PC

Attach the Magnetic Door Catch (14) to the Bottom Panel (G) using M3 x 15mm Screws (8). Adjust the magnetic catch front-to-back for proper alignment of the doors. Insert the Cam Bolts (3) into the Top Panel (F), Bottom Panel (G), Right Side Panel (A) and Left Side Panel (D).



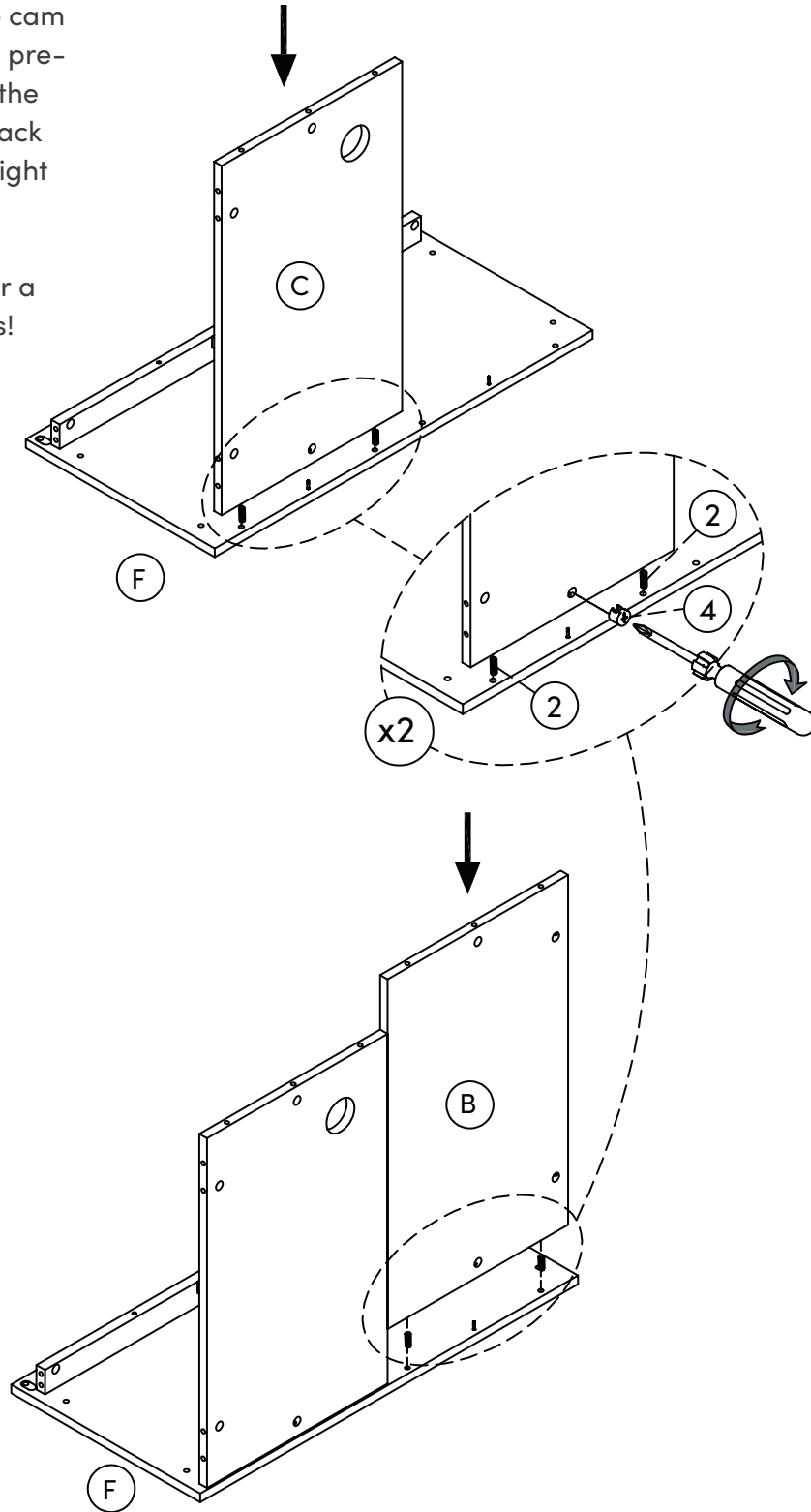
Helpful Tip. Magnetic Door Catch can be adjusted front to back to solve for proper door alignment

# Step 3

②  x4 PCS    ④  x2 PCS

Connect the Left Back Panel (C) to the Top Panel (F) using the Wooden Dowels (2) and Cam Locks (4). Ensure the cam bolts are inserted into the pre-drilled holes, and tighten the cam locks to secure the back panels. Repeat with the Right Back Panel (B).

See the following page for a quick guide on Cam Locks!



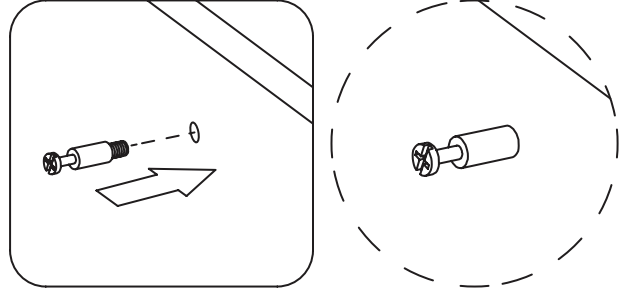
# How to use cam locks

## Did you know?

Cam locks are used to join two panels together, usually the edge of one to the flat side of another.

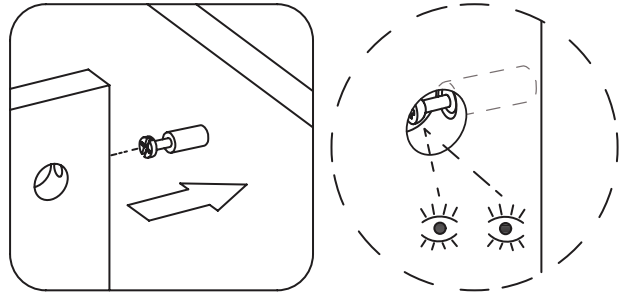
First, your cam bolt (or cam pin) will need to be properly inserted into the flat side of the board.

**Important Note:** Only tighten the cam bolt until it is secure. Do not over-tighten.



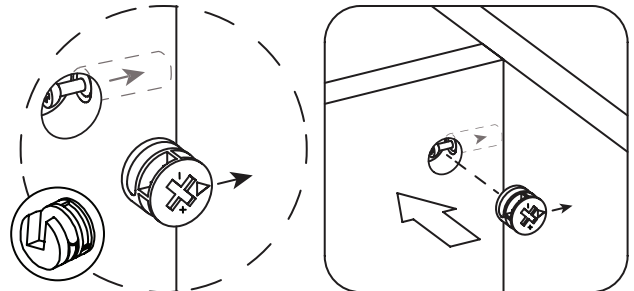
Next, you will fit the proper hole on the edge of the associated joining panel over the cam bolt.

**Important Note:** When installed properly, the head of the cam bolt will be visible through the larger hole on the side of the joining panel.



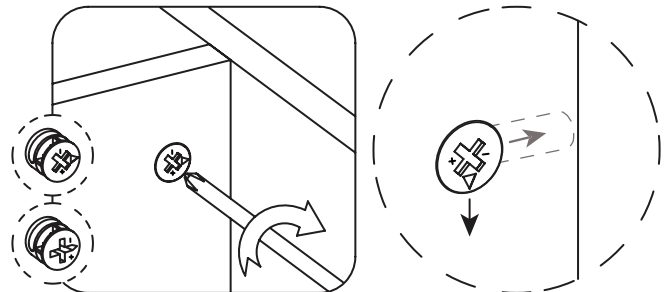
Next, you will notice the cam lock has a "C" shaped back. Commonly, an arrow on the front of the cam lock points in the same direction as the open section on back.

Using these as your cue, insert the cam lock into the large hole so the opening of the "C" fits over the head of the cam bolt.



Using a screwdriver, you will turn the cam lock until it stops, usually at 90° or 180°. You will feel the panels pulling closer until they are secured.

**Important Note:** Only turn the cam lock until the panels are fully engaged & feel secure. Turning too far may lead to hardware failure.



## Still having issues?

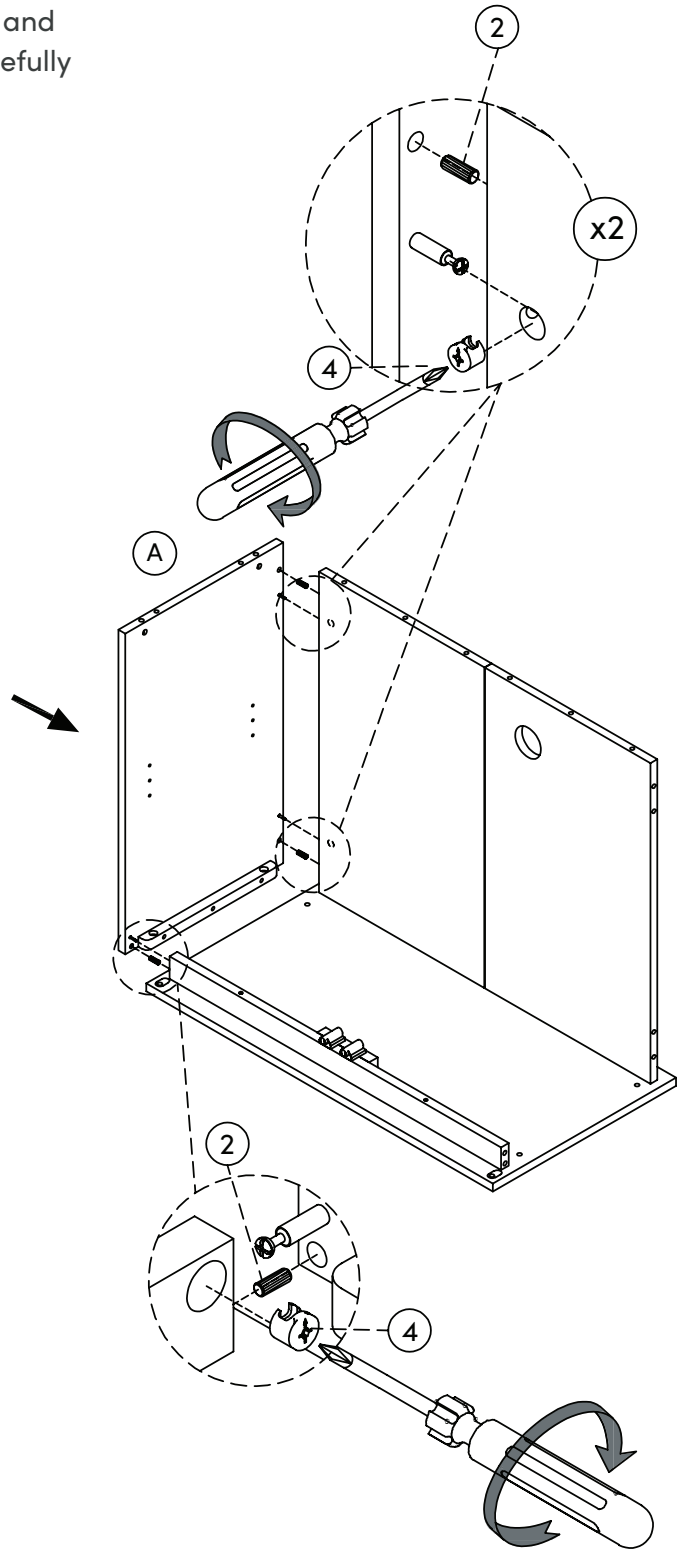
**If a cam lock seems to be spinning in place or is not "catching" or pulling the panels together as expected,** first remove the cam lock & try again while making sure that everything is properly positioned & oriented.

**If you are still having issues getting things working as expected,** first remove the cam lock then unscrew the cam bolt slightly (less than 1 complete turn) to see if that helps with the alignment of the cam lock & bolt.

# Step 4

②  x3 PCS    ④  x3 PCS

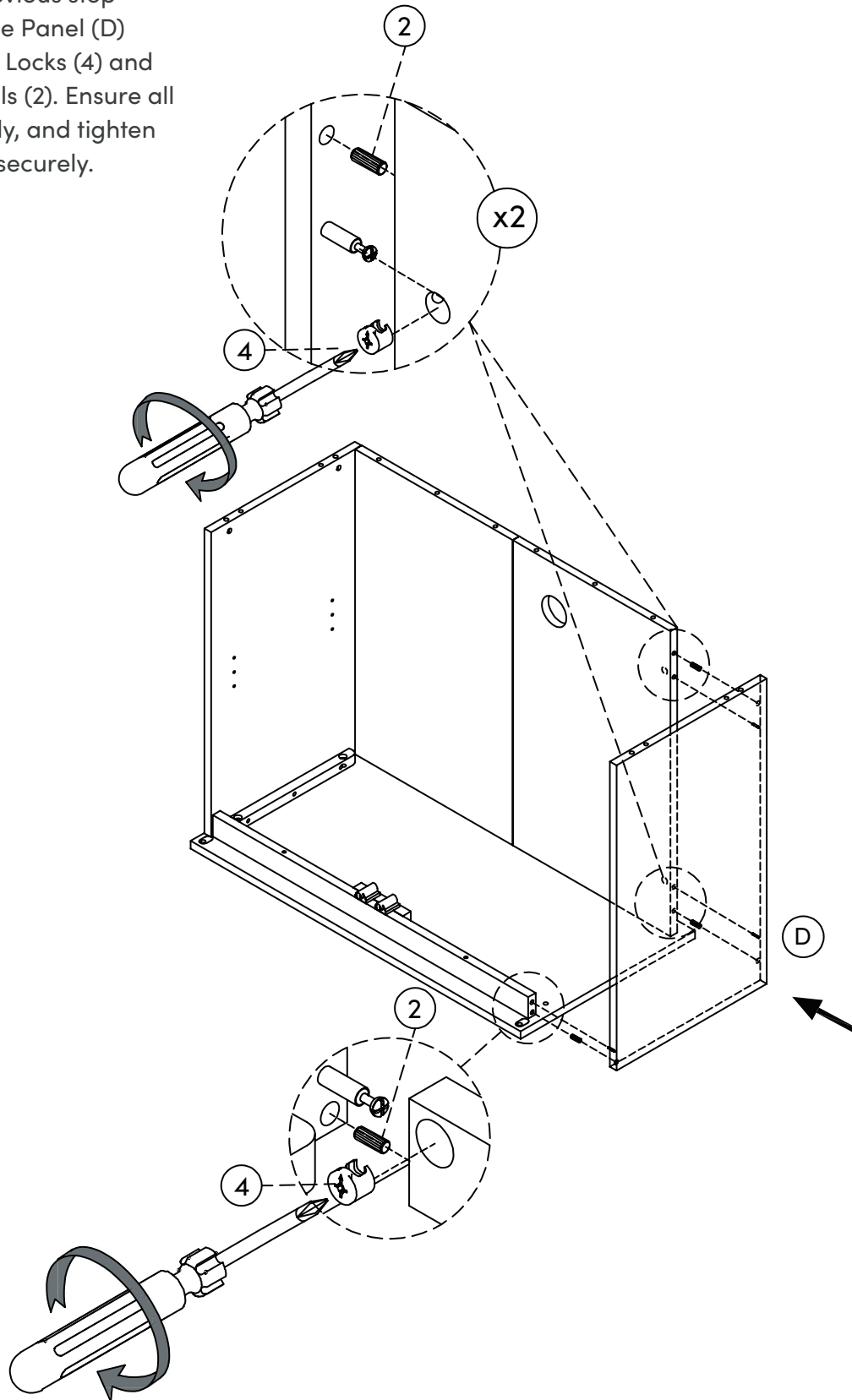
Attach the Right Side Panel (A) to the back and top panel using the Cam Locks (4) and Wooden Dowels (2). Carefully align the panels before securing them.



# Step 5

②  x3 PCS    ④  x3 PCS

Repeat the previous step for the Left Side Panel (D) using the Cam Locks (4) and Wooden Dowels (2). Ensure all pieces fit snugly, and tighten the cam locks securely.



# Step 6

5 x4 PCS

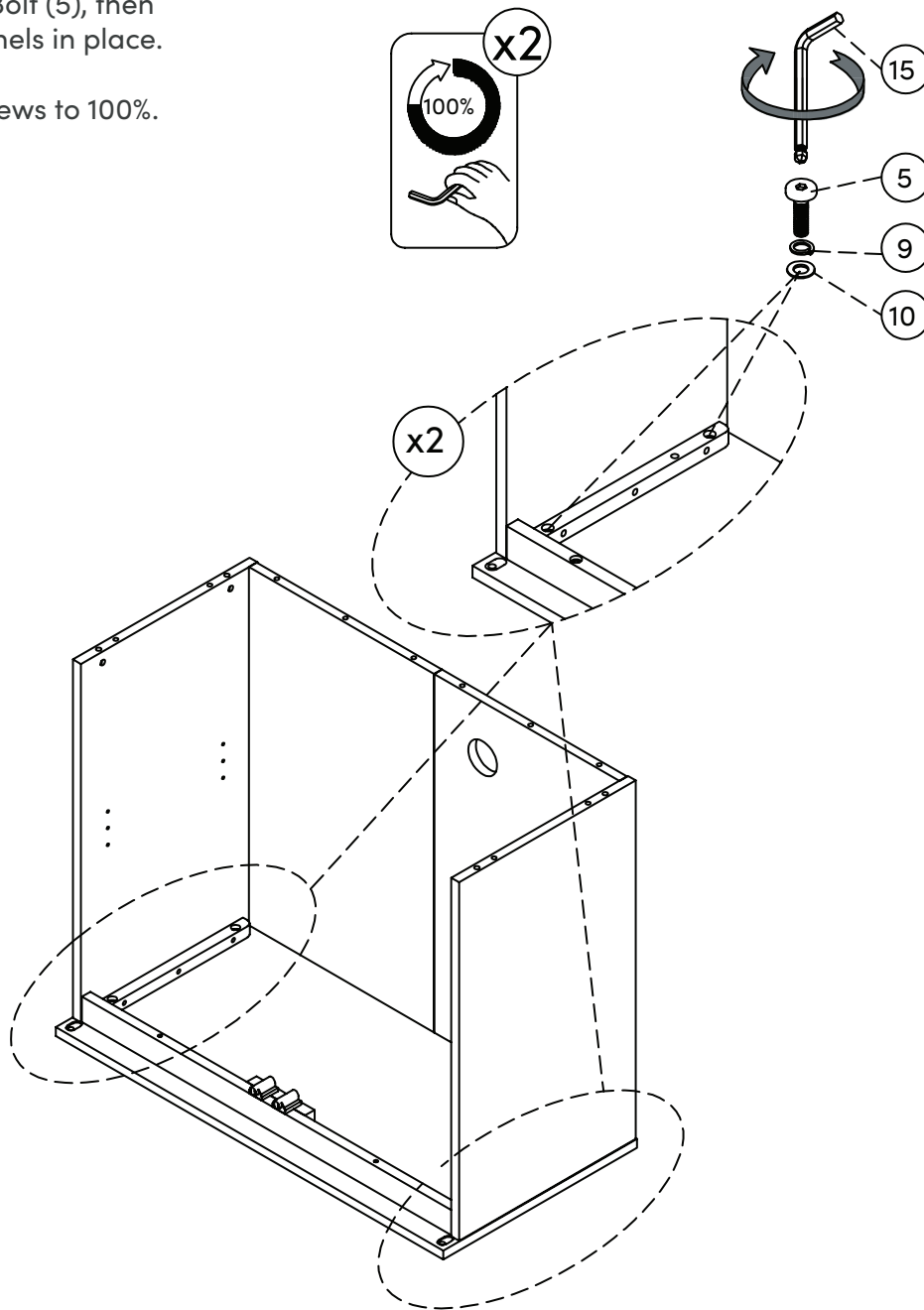
9 x4 PCS

10 x4 PCS

You're halfway there!






Attach the side panels on both sides by placing a  $\text{\O}1/4''$  x 10mm Spring Washer (9) and a  $\text{\O}1/4''$  x 13mm Flat Washer (10) onto a  $\text{\O}1/4''$  x 25mm Hex Button Head Bolt (5), then secure the panels in place.

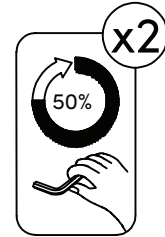
Tighten all screws to 100%.



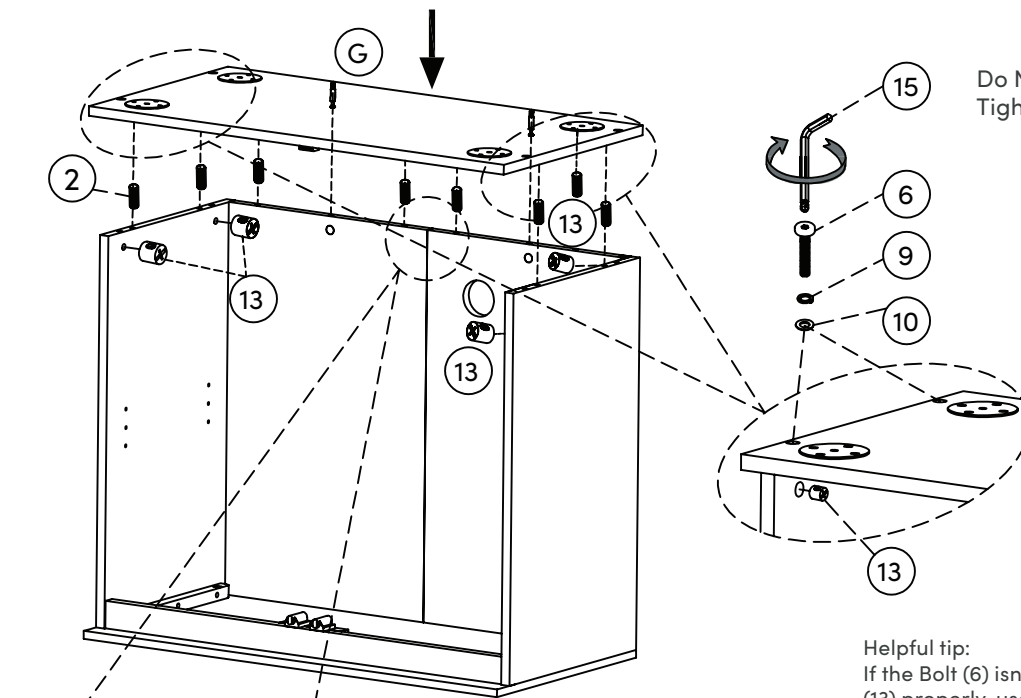
# Step 7

Bottom's up! Secure the Bottom Panel (G) to the unit by inserting Wooden Dowels (2) into the pre-drilled holes. Use Ø1/4" x 40mm Hex Button Head Bolts (6), Spring Washers (9), and Flat Washers (10) to fasten the panel, tightening into the Barrel Nuts (13). Tighten the hardware to about 50% for now to avoid overtightening. If alignment issues arise, slightly adjust the Barrel Nut (13) using a screwdriver.

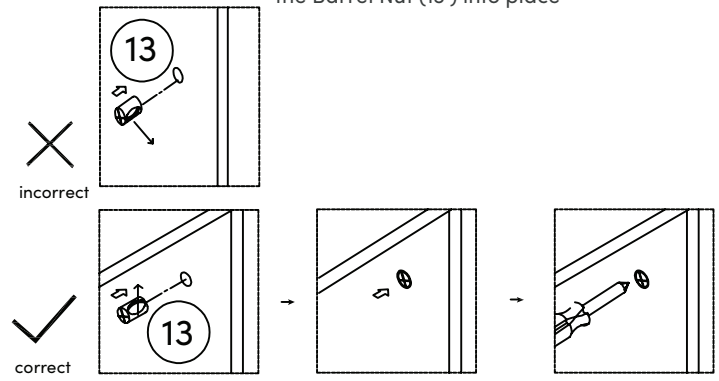
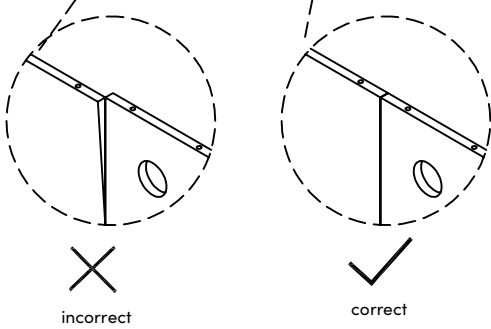
- ②  x8 PCS    ⑥  x4 PCS    ⑨  x4 PCS
- ⑩  x4 PCS    ⑬  x4 PCS




Do NOT overtighten hardware. Tighten only to 50% for now.



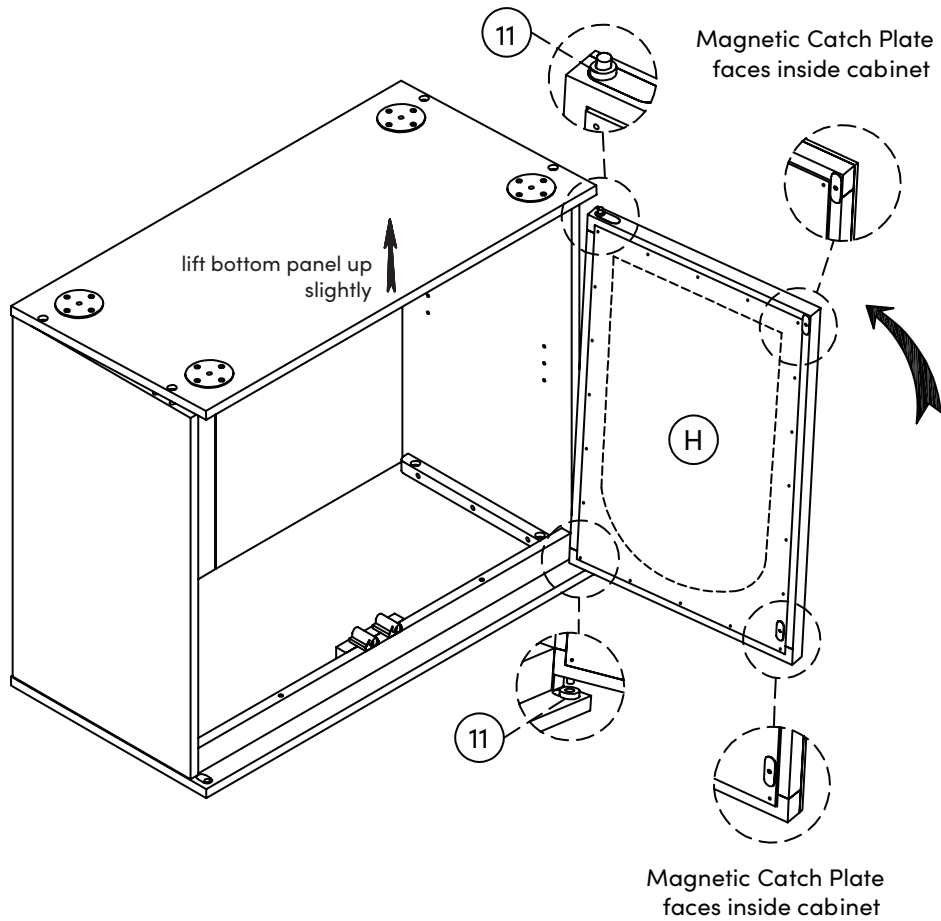
Helpful tip:  
If the Bolt (6) isn't lining up with the Barrel Nut (13) properly, use a crewdriver to slightly turn the Barrel Nut (13) into place




# Step 8

11  x2 PCS

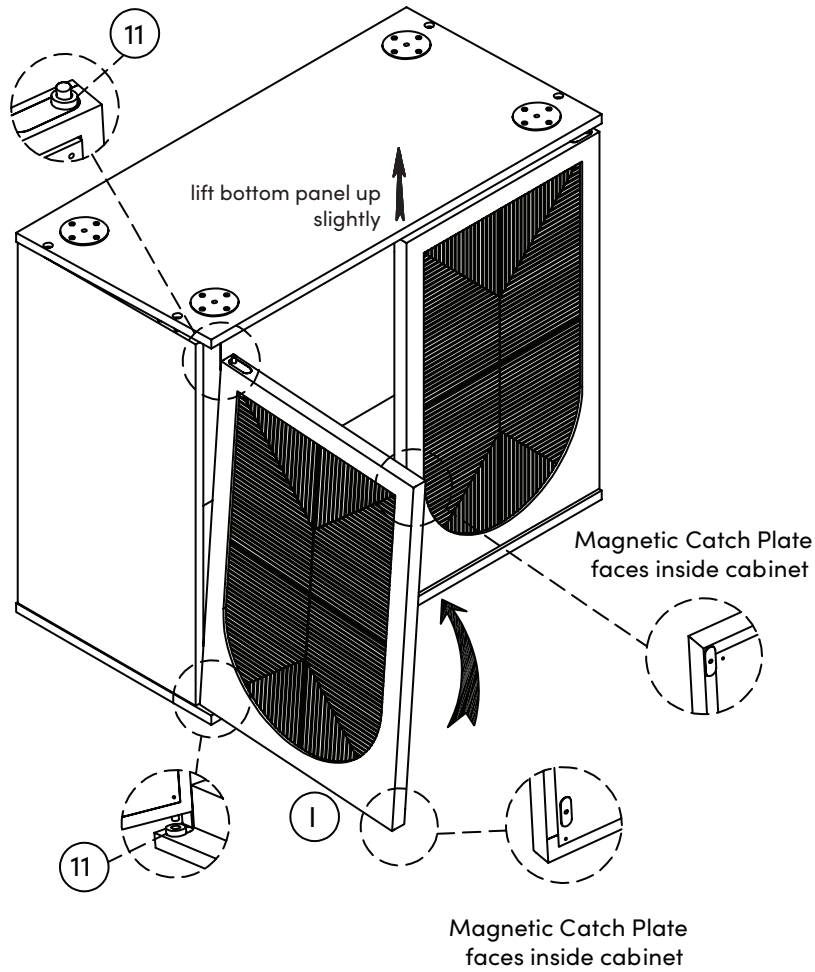
Let's secure the doors! Slightly lift the bottom panel to align the Left Door (H) with the cabinet, ensuring the Magnetic Catch Plates are facing inward.




# Step 9

11  x2 PCS

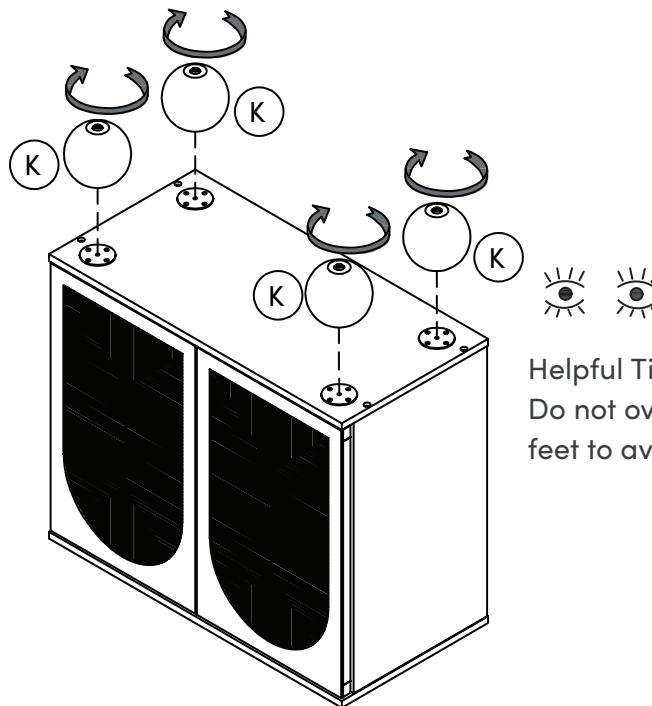
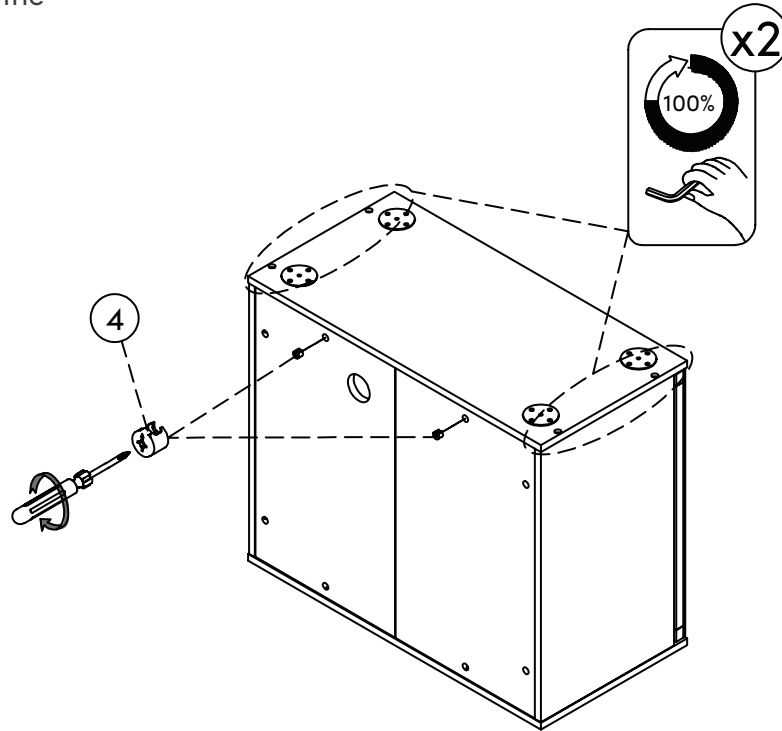
No, this isn't Deja Vu! Repeat Step 8 with the Right Door (I).



# Step 10


④  x2 PCS

Tighten the two Cam Locks (4) on the back of the unit until they are fully secure. Then, twist the Legs (K) onto the bottom of the unit.

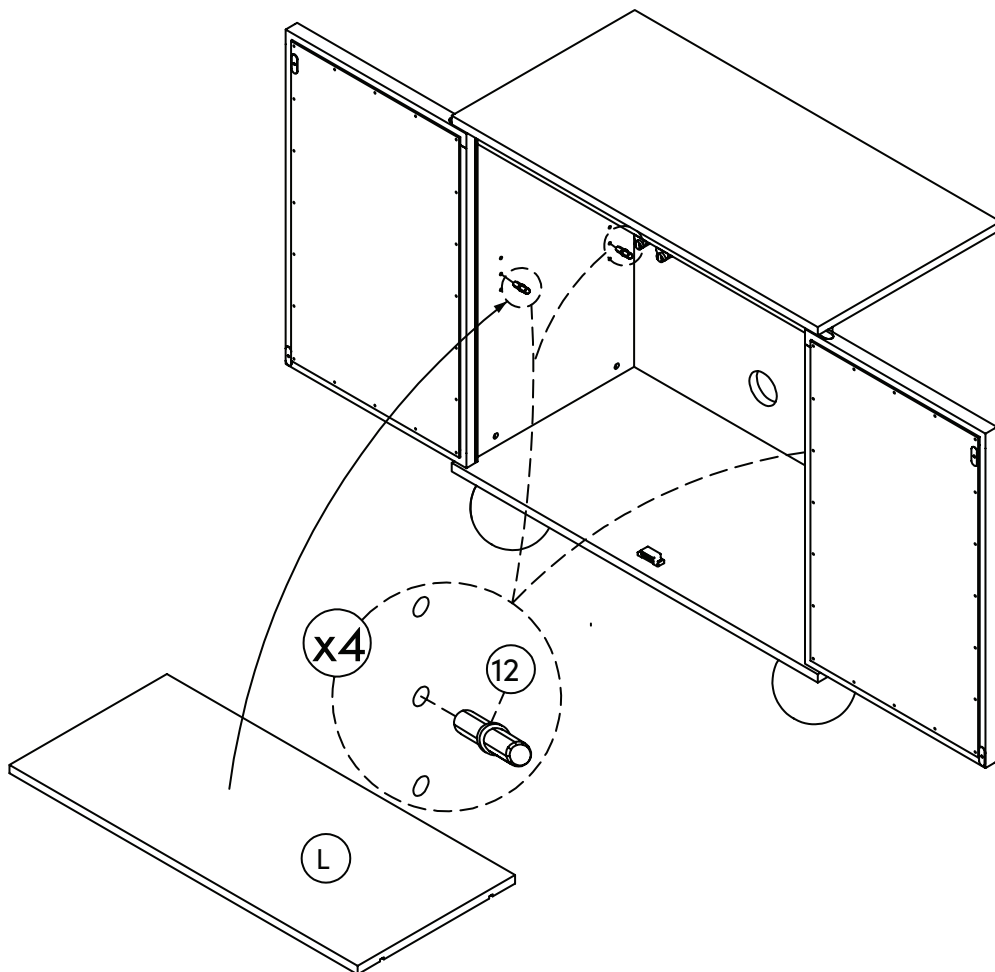


Helpful Tip:  
Do not over tighten the feet to avoid stripping.

# Step 11

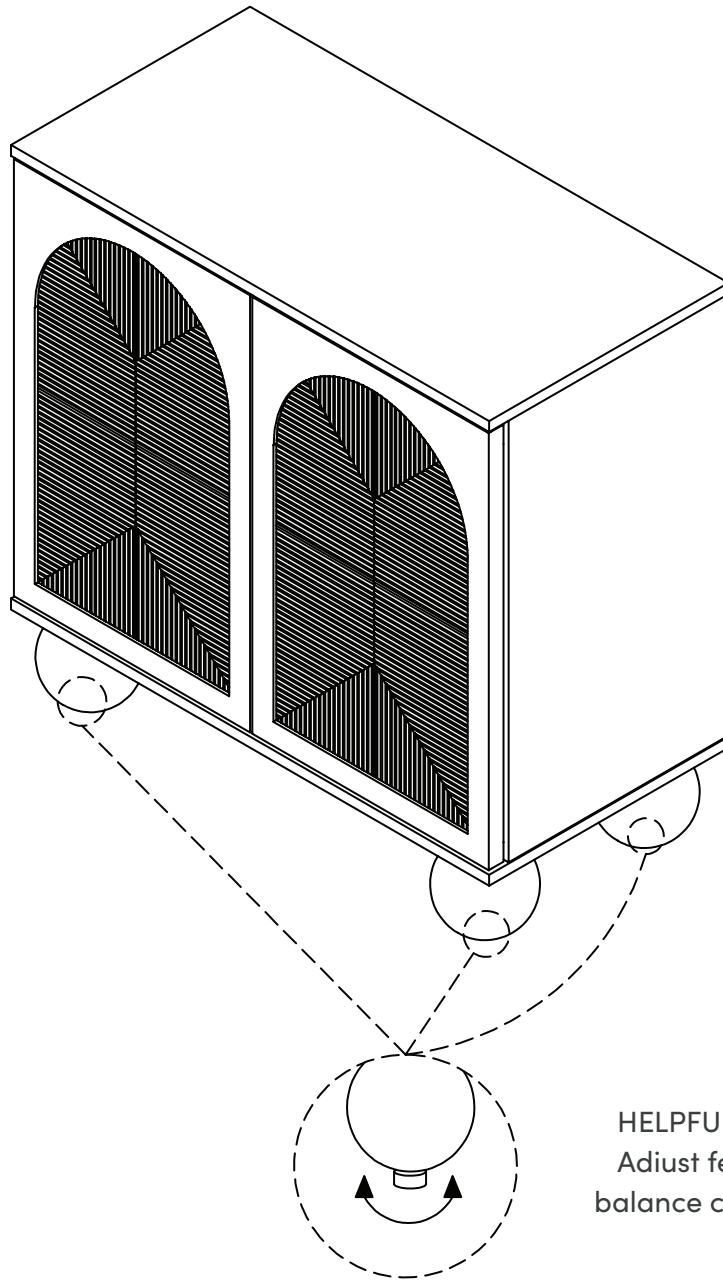
⑫  x4 PCS

Place the four Shelf Support Pins (12) at your desired shelf height, then carefully place the Shelf (L) on top of them.



# Step 12

Time for the finishing touches!  
Adjust the feet to balance the cabinet.

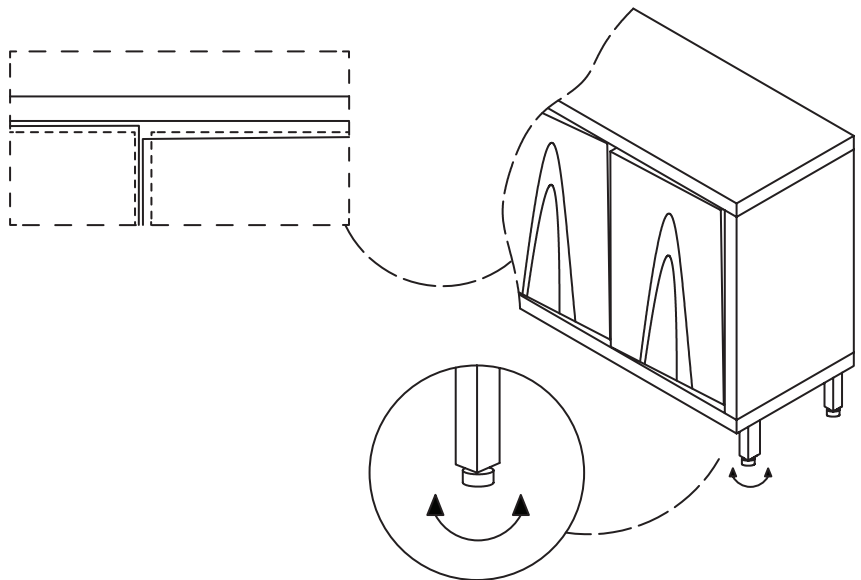


**HELPFUL TIP:**  
Adjust feet to  
balance cabinet.

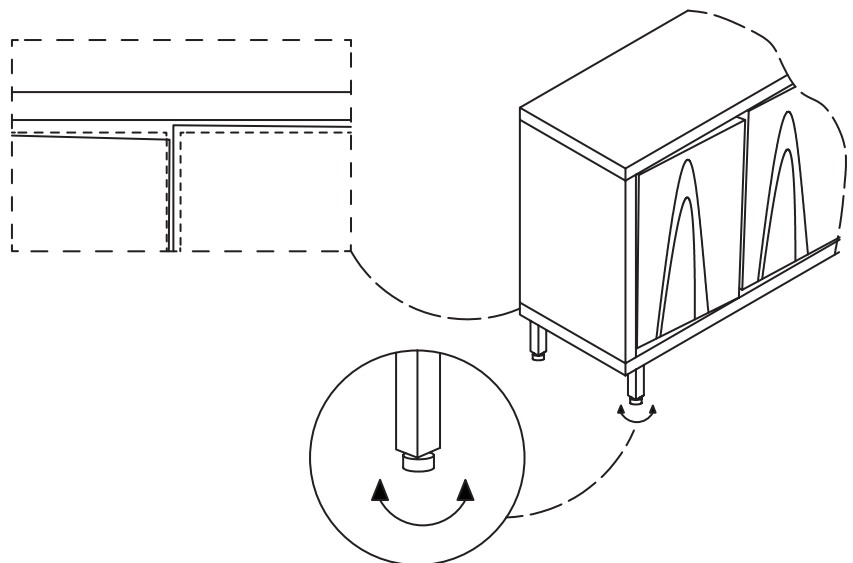
# Is your cabinet door looking crooked or unevenly spaced?

If you're still having trouble lining everything up, your next step should be to adjust the leveling glides to square up the cabinet and doors and make sure things are level. Follow the instructions below:

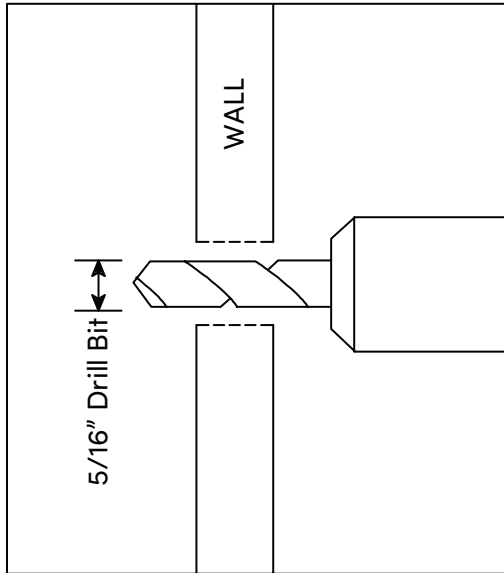
If the right door appears to be hanging low, you can adjust the adjustable leveler on the front right until the door is better aligned.



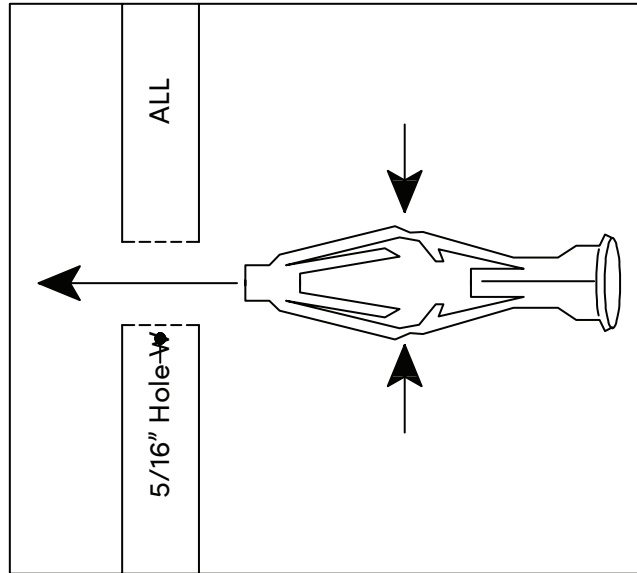
If the left door appears to be hanging low, you can adjust the adjustable leveler on the front left until the door is better aligned.



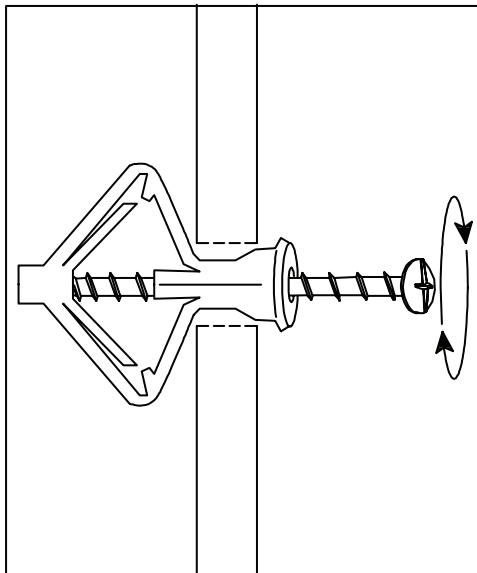
# How to use Drywall Anchors



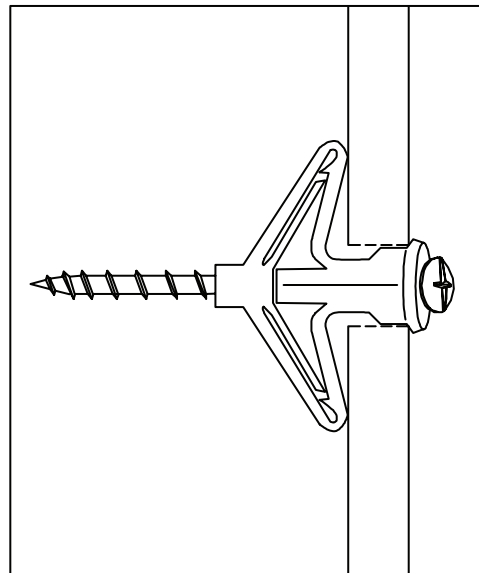
1. Drill hole with 5/16" bit.



2. Pinch and insert.

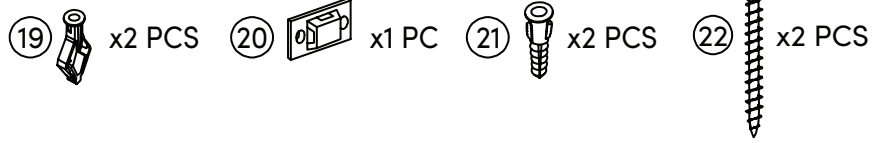


3. Begin tightening.

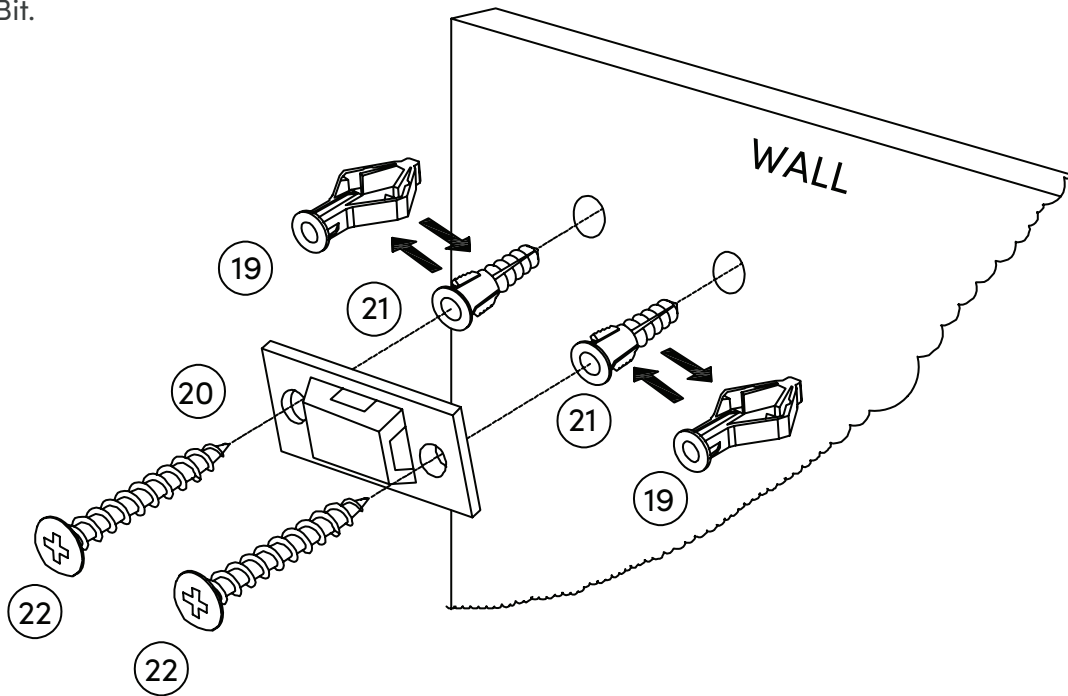


4. Anchor is secure when  
screw is tightened to 100%

# Step 13



Safety first! Let's get this storage unit secured to the wall. Find where you want this unit to live and then mount the Plastic Bracket (20) to the wall using the provided Wall Anchors (19) or (21) and Screws (22). We recommend using a 5/16" drill bit and 1/4" Drill Bit.

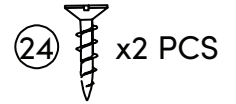
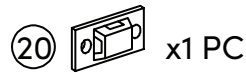


## IMPORTANT NOTE:

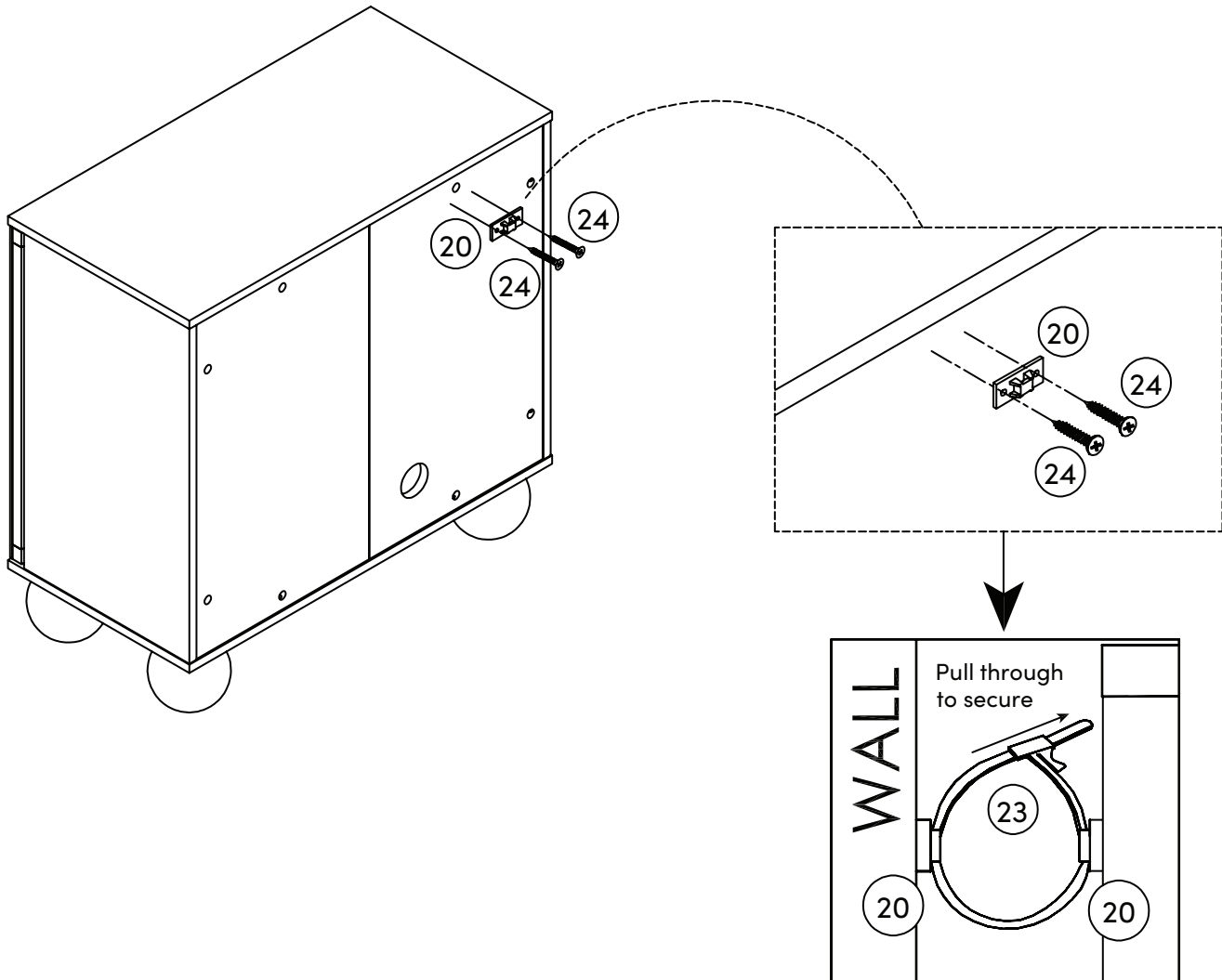
Drywall Anchor (19) requires 5/16" Drill Bit

Non-Drywall Anchor (21) requires 1/4" Drill Bit

# Step 14



Secure the Plastic Bracket (for Anti-Tip) (20) to the back of the unit using the M3.5\*15mm Screws (24) and then loop the Plastic Tether (23) through the Bracket.



## IMPORTANT NOTE:

Young children (and/or pets) can be seriously injured by tipping furniture units.

You must install the provided anti-tip kit hardware solution, as instructed, to prevent the furniture units) from tipping over - which could possibly lead to injuries or damage.

The provided anti-tip kit hardware solution is intended only as an additional safety measure & deterrent; it is not a substitute for proper adult supervision.

The provided anti-tip kit hardware solution is not an earthquake restraint. If you wish to add the extra security of earthquake restraints, they must be purchased & installed separately.

# No heartburn, when we handle the return

Give us a call **1-866-619-1004** or shoot us a message at **help@nathanjames.com** we will issue you a free replacement with **zero hassle**.

## Our way



Give us a call

---



Replacement

---



You

## Their way



Re-package item

---



Schedule pick up

---



Track package

---



Replacement

---



You

We really don't want you to go through the hassle of re-packaging your item and sending it back, because let's be honest...nobody has time for that.

# Safety first, fun later

We want your product to last as long as possible, so we recommend that you tighten the screws 2 weeks after assembly and for added safety check the tightness of all screws every 2 months.

For proper care and treatment, please check our website at [NathanJames.com/products](http://NathanJames.com/products)

## Safe use of this product starts with you.

Use this product responsibly with the primary concern for your safety. Follow assembly instructions carefully and inspect product upon receipt and each use.

Nathan James and its parent companies cannot be held legally responsible for any injuries or death resulted from failure to follow instructions or improper use of this product.

## Do not modify the structure of this product in any way.

Our products have been tested to meet specific safety measures as they were originally intended to be sold. Any modifications will present the risk of creating significant safety issues which NJ will not be responsible for.

## Proper use

- DO NOT** use for commercial purposes
- DO NOT** frolic on storage unit
- DO NOT** use storage unit as foot stool
- DO NOT** leave spilled liquid on table top
- DO NOT** use storage unit if damaged
- DO NOT** make temporary repairs
- DO NOT** use outdoors

# We are only in business if you're happy

For starters, thanks for being you.

☎ Toll-free at 1-866-619-1004

✉ Help@nathanjames.com

🌐 NathanJames.com/help

We do our best to ensure your furniture arrives without any problems, but occasionally mistakes happen—as humans we are imperfect beings. In the event that a part is damaged or missing, we will be more than happy to provide you with replacement part(s) for free.

## Warranty

This product comes with a lifetime warranty from the date of purchase. Please use your phone to scan the QR code to register your product or visit <https://goo.gl/i9dk3q>



### Did we do alright? Please spread the love!

If you are happy with your product, tell your friends and family about us or even better leave us a review online. Spreading the word gives us the opportunity to make more people happy and keep our prices low for your next purchase.

*Brooklyn Burdon*

Founder, Nathan James