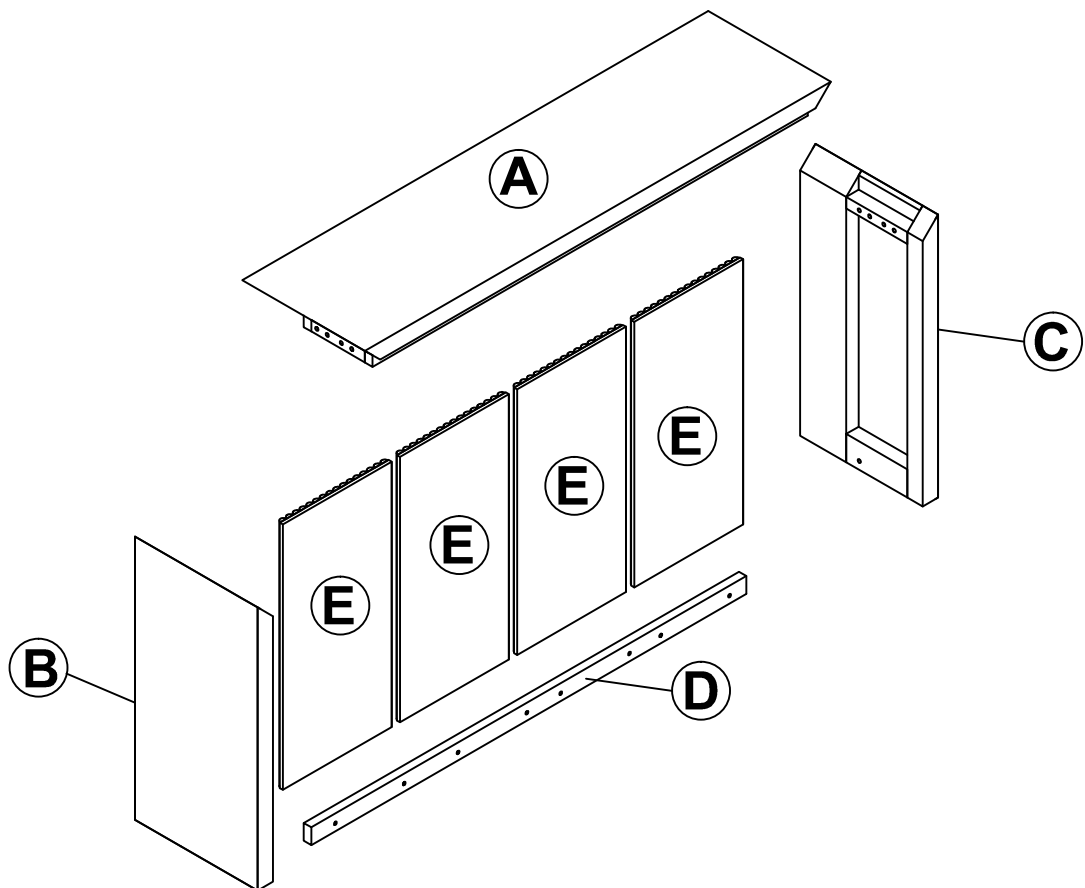
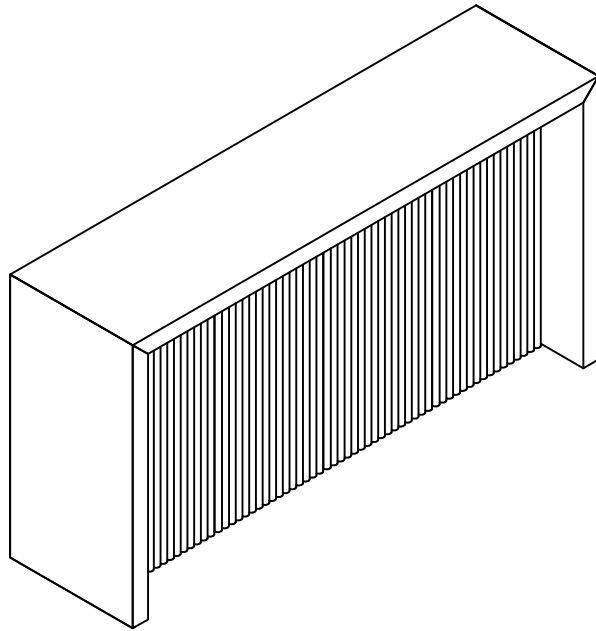
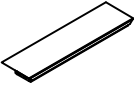






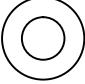





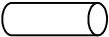







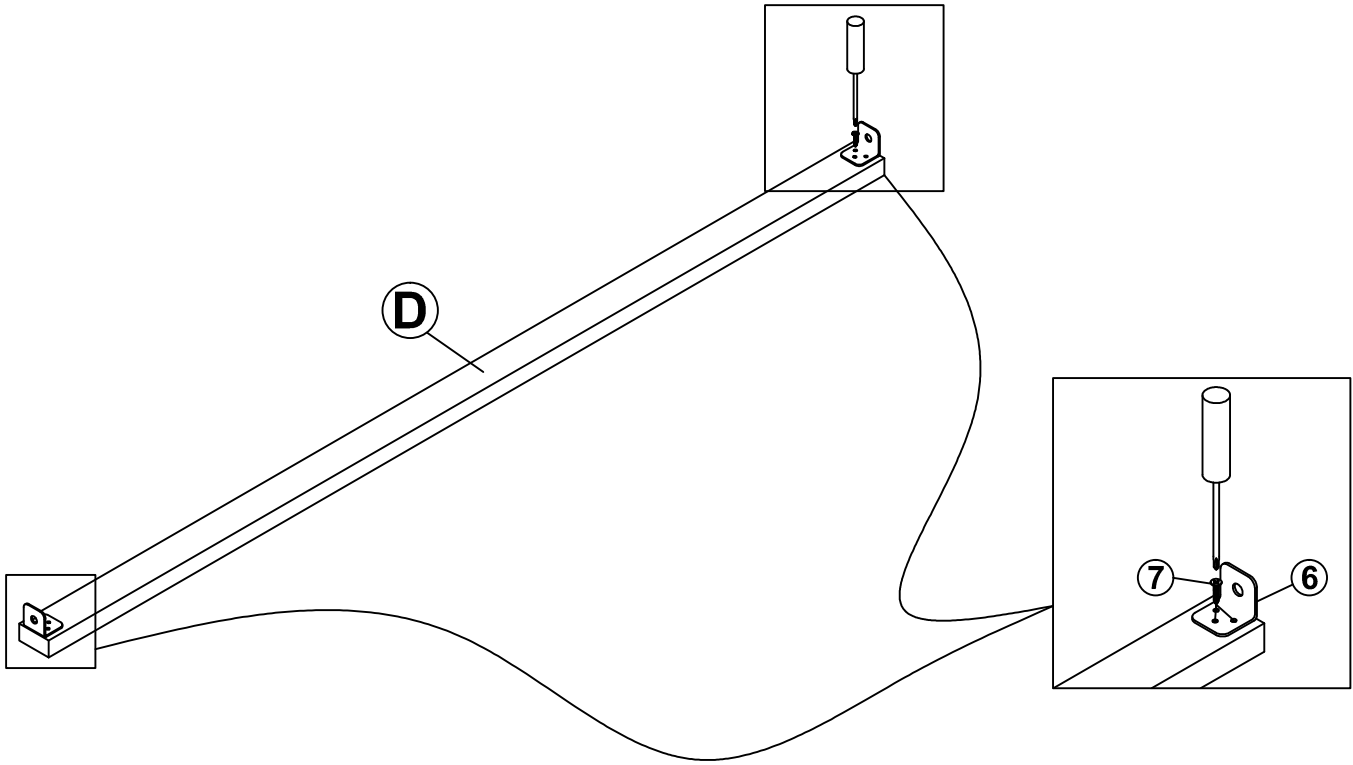
ASSEMBLY INSTRUCTIONS



ITEM NOTE : N711P225790
CONSOLE TABLE



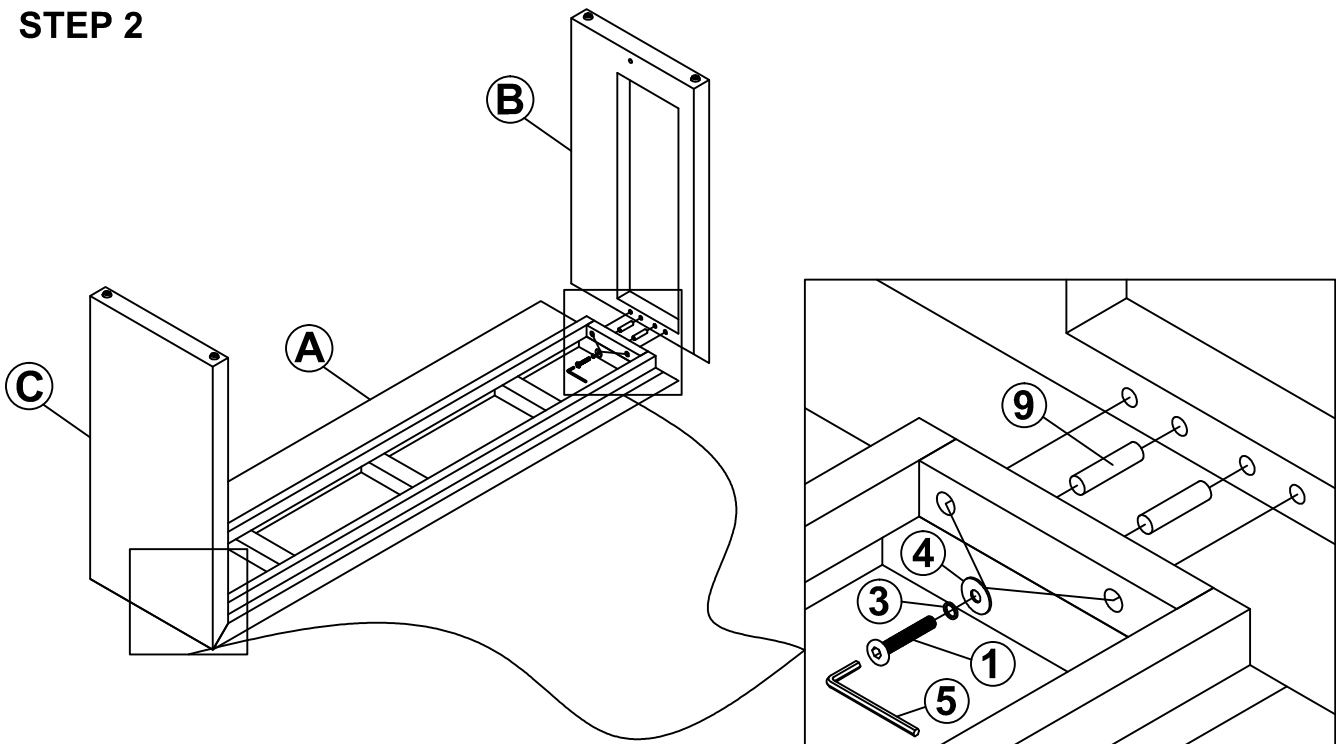
Part List			Hardware List	
A	Table Top 	x1	1 Bolt 5/16"x50mm Qty 4 pcs + extra 1 pc	
B	Right Leg 	x1	2 Bolt 5/16"x30mm Qty 2 pcs + extra 1 pc	
C	Left Leg 	x1	3 Lock Washer Ø13xØ8 Qty 6 pcs + extra 1 pc	
D	Stretcher 	x1	4 Flat Washer Ø19xØ8 Qty 6 pcs + extra 1 pc	
E	Panel 	x4	5 Allen Key Qty 1 pc + extra 1 pc	
			6 Support Pat Qty 2 pcs	
			7 Srew #3x15mm Qty 6 pcs + extra 1 pc	
			8 Srew #4x25mm Qty 16 pcs + extra 1 pc	
			9 Wooden pegs Ø10x40mm Qty: 4 pcs + extra 1 pc	
			10.1 Patch L Qty 2 pcs	
			10.2 Anchor Qty 1 pc	
			10.3 Metal Strap Qty 1 pc	
			10.4 Short Screw Qty 1 pc	
			10.5 Long Screw Qty 1 pc	





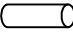
STEP 1



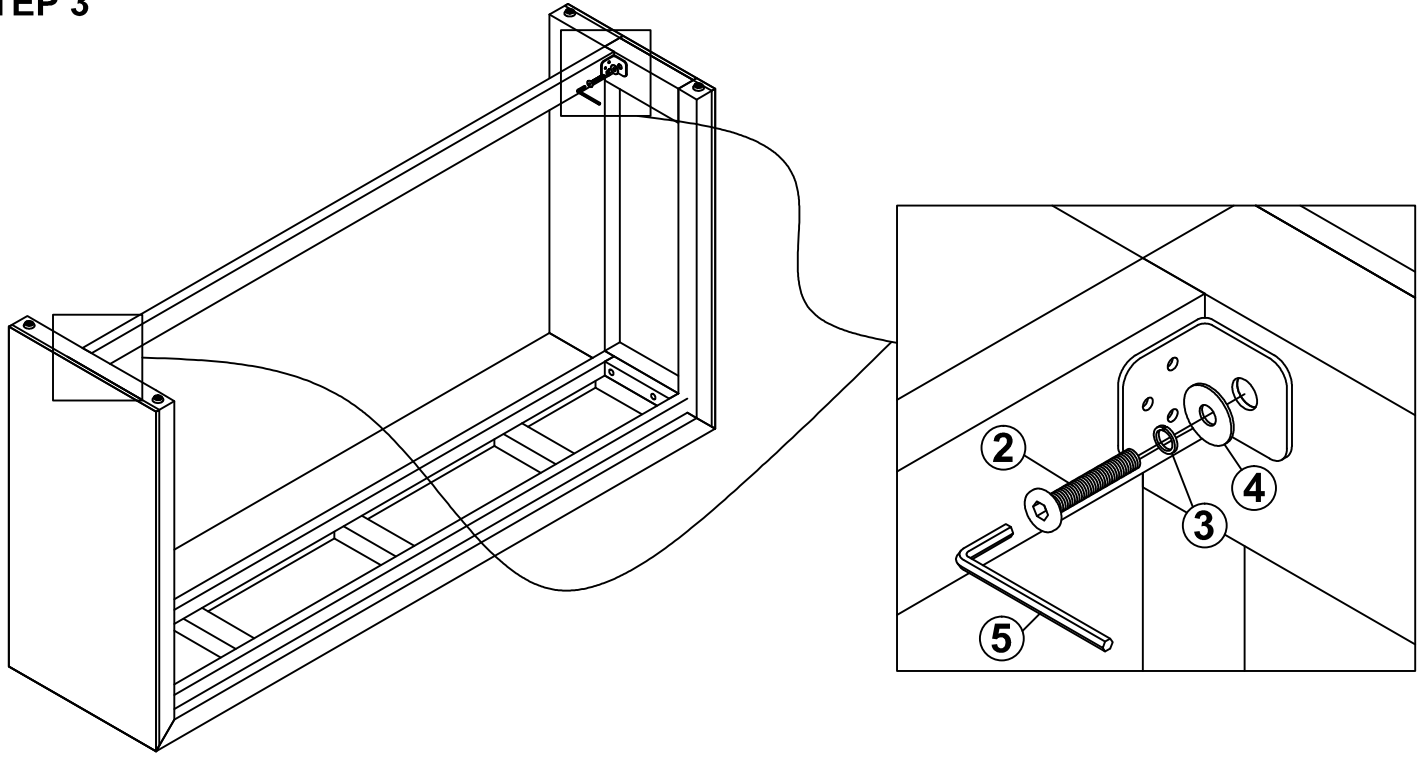
⑥	⑦
	
Qty 2 pcs	Qty 6 pcs

STEP 2



①	③	④	⑤	⑨
				
Qty 4 pcs	Qty 4 pcs	Qty 4 pcs	Qty 1 pc	Qty 4 pcs

STEP 3



②



Qty 2 pcs

③



Qty 2 pcs

④



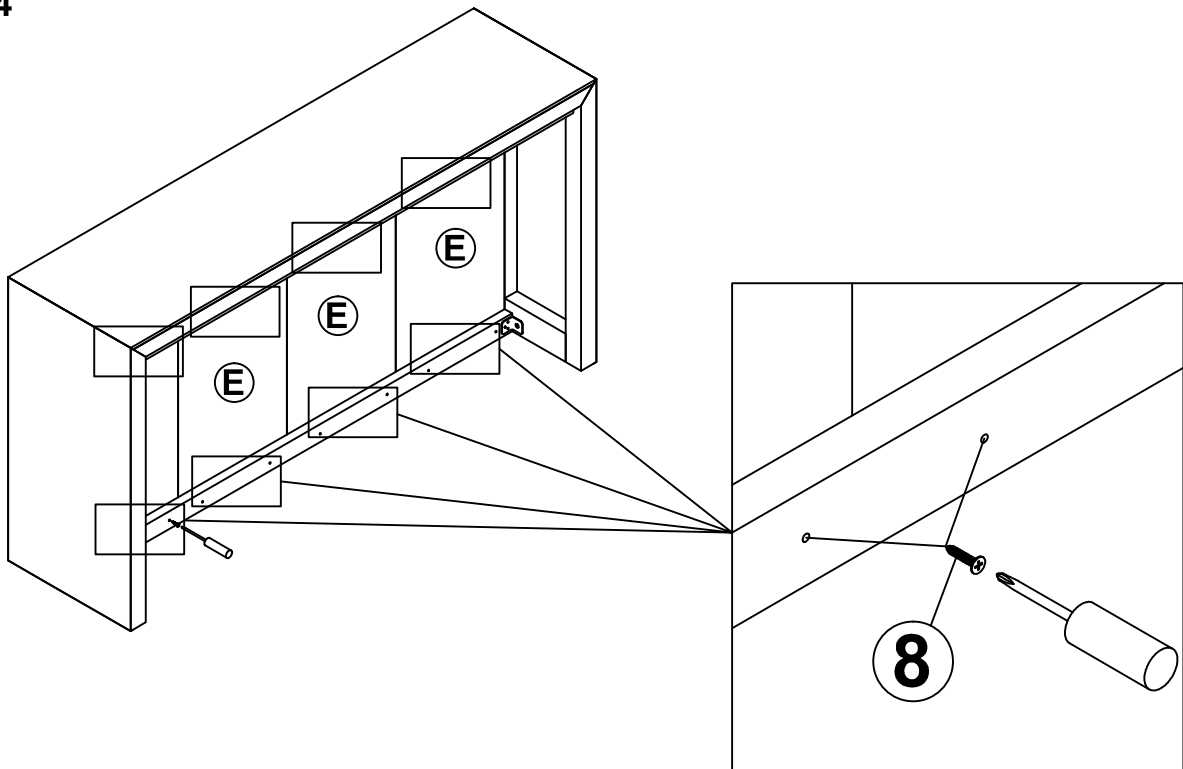
Qty 2 pcs

⑤



Qty 1 pc

STEP 4



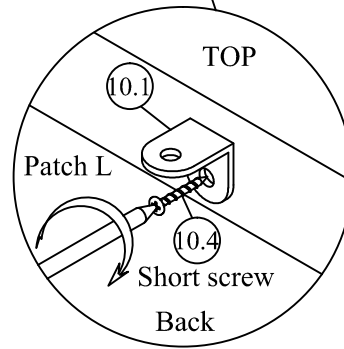
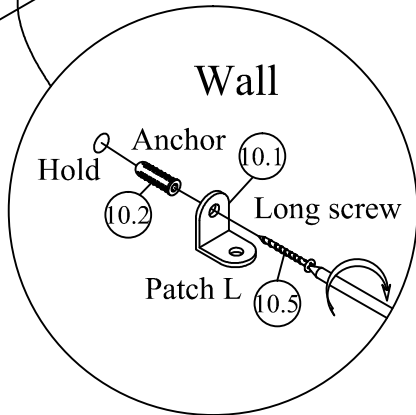
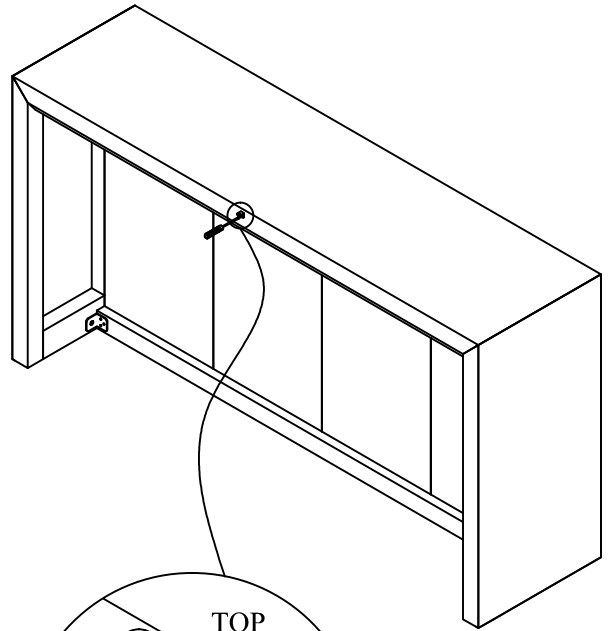
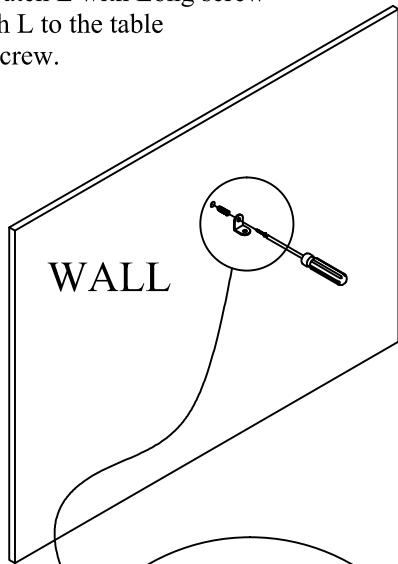
⑧



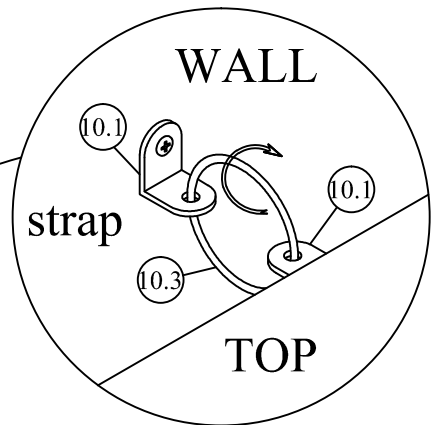
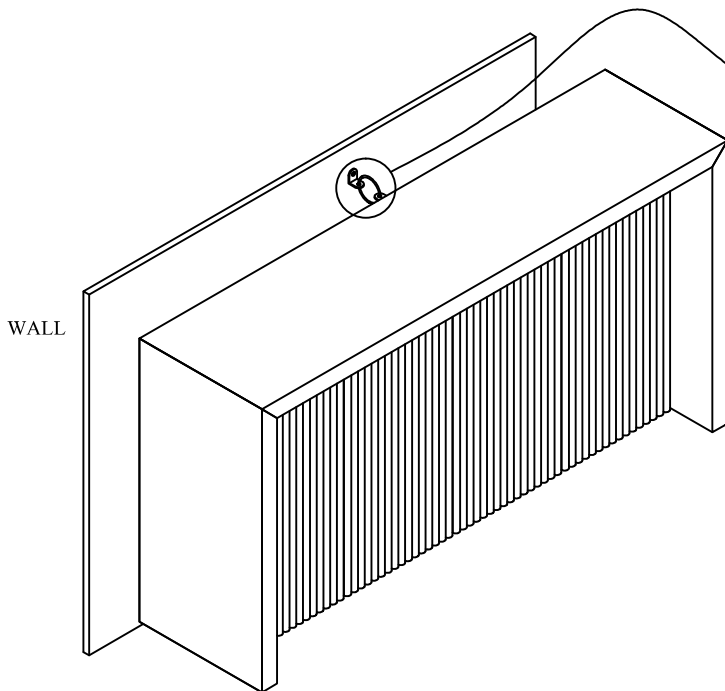
Qty 16 pcs

- Select the location to place the table
- Drill a hole in the dry wall to fit Anchor
- Then included the Patch L with Long screw
- Assembly the Patch L to the table and affix by short Screw.

STEP 5



STEP 7



- All console come with TRD, stainless steel or our "L-Bracket "when shipped.