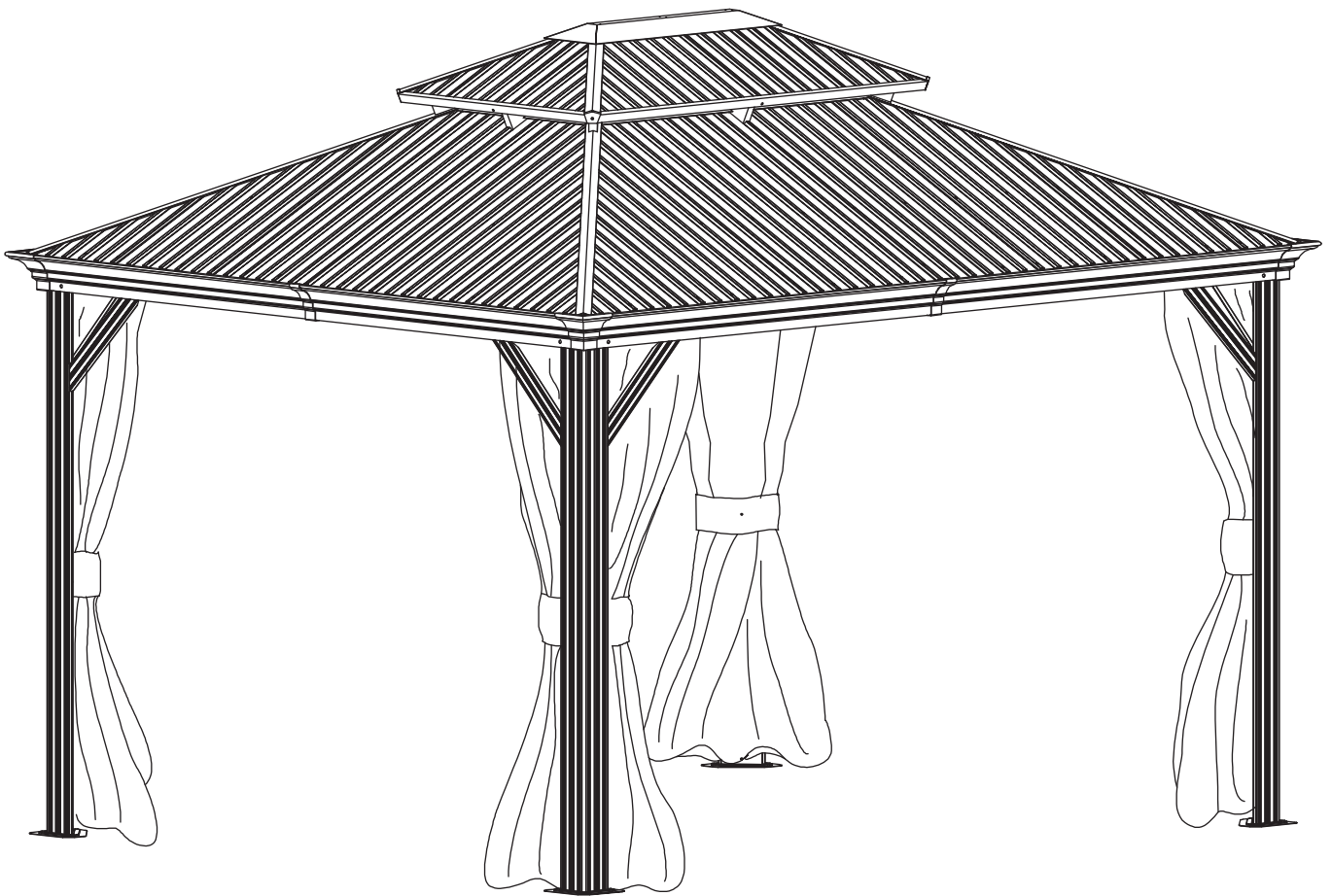


ASSEMBLY INSTRUCTIONS

METAL GAZEBO SHED

SKU: T-GZB22-0079-10BK


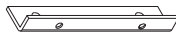


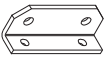
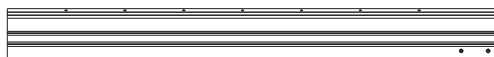




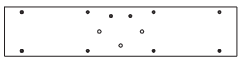





E-mail:
hofficeservice@gmail.com

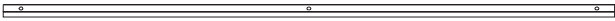

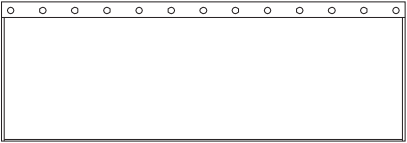
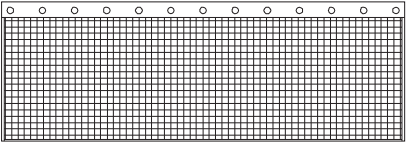
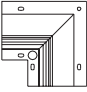
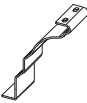




Please read the manual carefully
before installation.

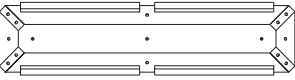
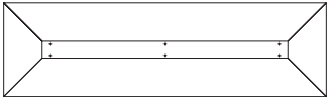




WALL PARTS

 <p>A X4</p>	 <p>A1 X8</p>	 <p>B X2</p>
 <p>A X4</p>	 <p>A2 X8</p>	 <p>C X2</p>
 <p>J1 X4</p>	 <p>L X4</p>	 <p>D X2</p>
 <p>J2 X4</p>	 <p>F X4</p>	 <p>E X2</p>
 <p>B1 X2</p>	 <p>C1 X2</p>	


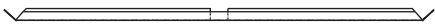
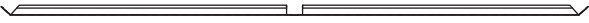


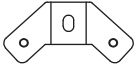
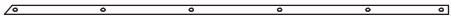

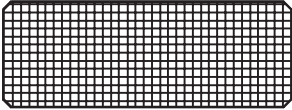
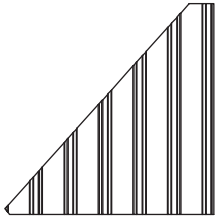
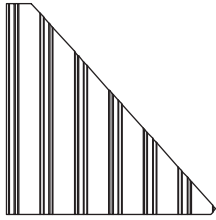
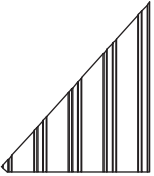
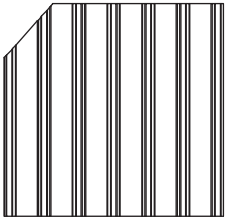
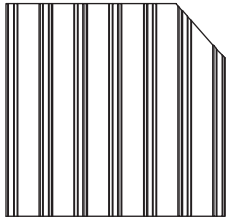
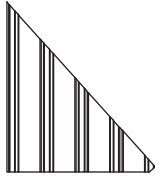
WALL PARTS

 <p>D1 X2</p>	 <p>E1 X2</p>		
 <p>Y X4</p>	 <p>Y1 X4</p>		
 <p>G X4</p>	 <p>H X4</p>	 <p>4# X88</p>	 <p>H1 X4</p>

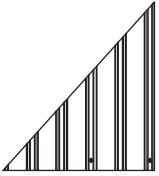
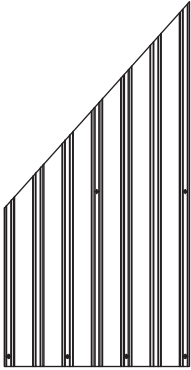
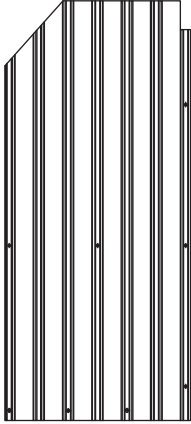
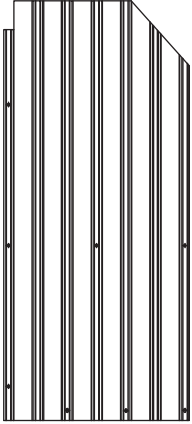
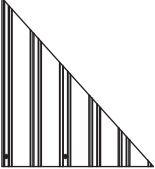
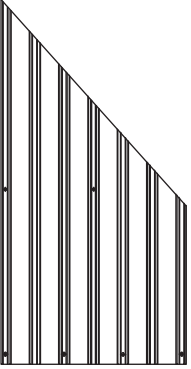
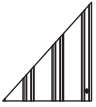
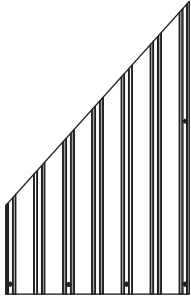
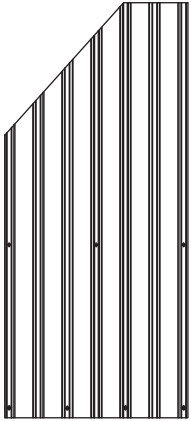
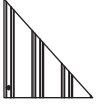
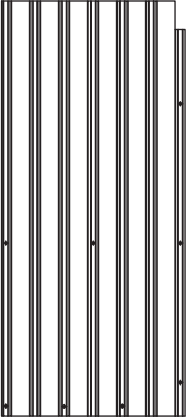
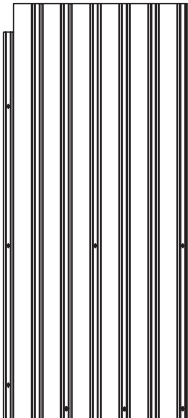
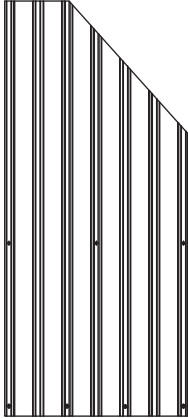
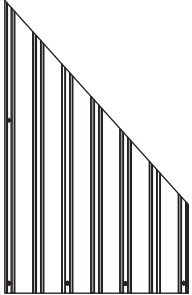
ROOF PARTS

 <p>K X1</p>	 <p>K1 X1</p>	 <p>M X4</p>
 <p>P X2</p>	 <p>R1 X8</p>	 <p>N X4</p>

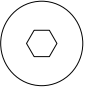
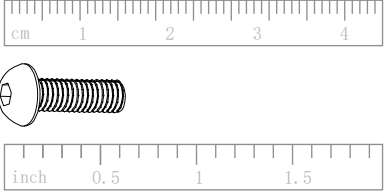
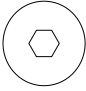
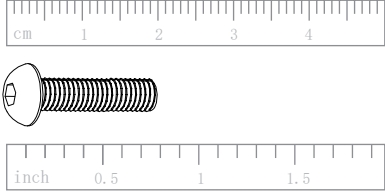
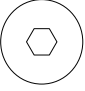
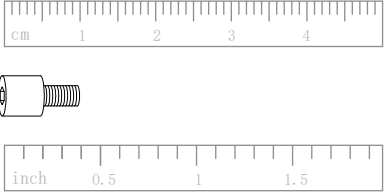

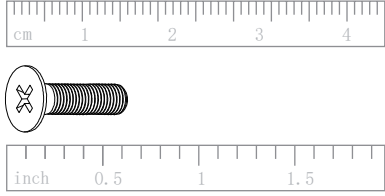

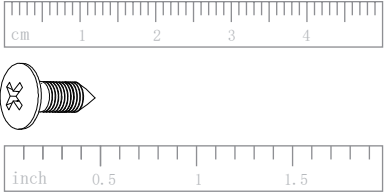
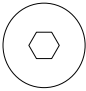
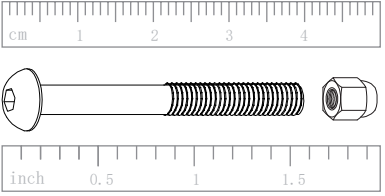
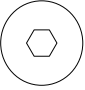
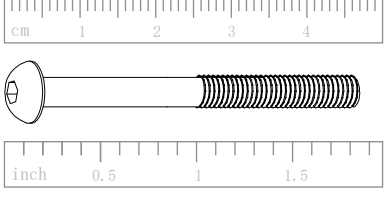
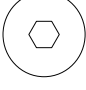
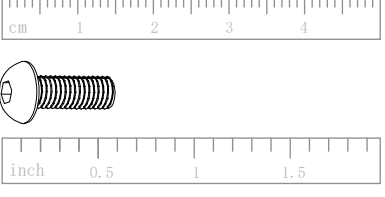
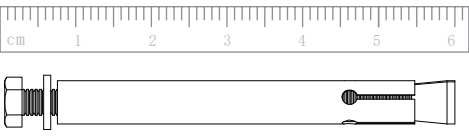
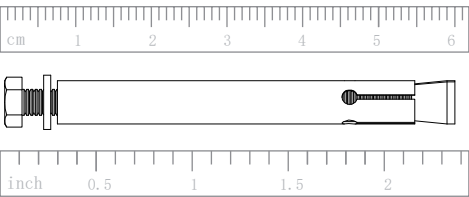
ROOF PARTS

 <p>Q X2</p>	 <p>T1 X2</p>		
 <p>T2 X2</p>	 <p>U1 X4</p>		
 <p>U5 X4</p>	 <p>U6 X4</p>	 <p>U2 X4</p>	
 <p>S X104</p>	 <p>Y2 X1</p>	 <p>V1 X2</p>	 <p>V2 X2</p>
 <p>V3 X2</p>	 <p>V4 X2</p>	 <p>V5 X2</p>	 <p>V6 X2</p>



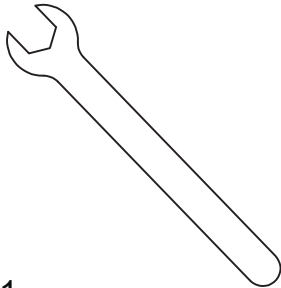
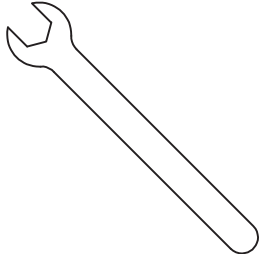
ROOF PARTS

 <p>W1 X2</p>	 <p>W2 X4</p>	 <p>W3 X2</p>	 <p>W4 X2</p>
 <p>W6 X2</p>			
 <p>W5 X2</p>	 <p>X1 X2</p>	 <p>X2 X2</p>	 <p>X3 X2</p>
	 <p>X8 X2</p>		
 <p>X4 X2</p>	 <p>X5 X2</p>	 <p>X6 X2</p>	 <p>X7 X2</p>

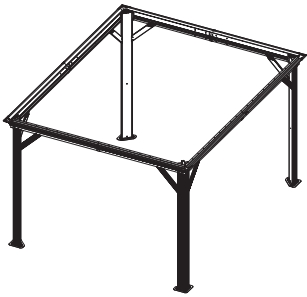
SCREW

  1#(X175) M6*16	  2#(X80) M6*20
  3#(X16) M6*10	  5#(X4) M5*16
  6#(X24) M5*12	  7#(X8) M6*40
  8#(X28) M6*47	  9#(X32) M5*15
  (X12) M6*60	

TOOL

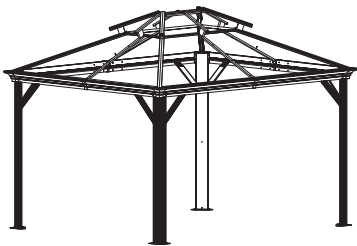
 X1	 X2	 X1	 X1
---	---	--	---

CONTENTS



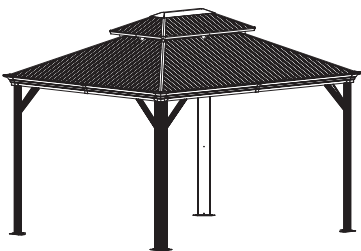
Bottom frame

08-14
(page)



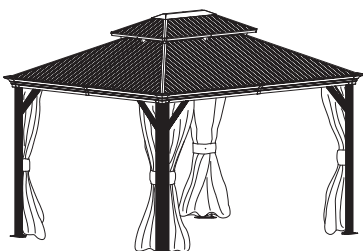
Wall

15-16
(page)



Roof

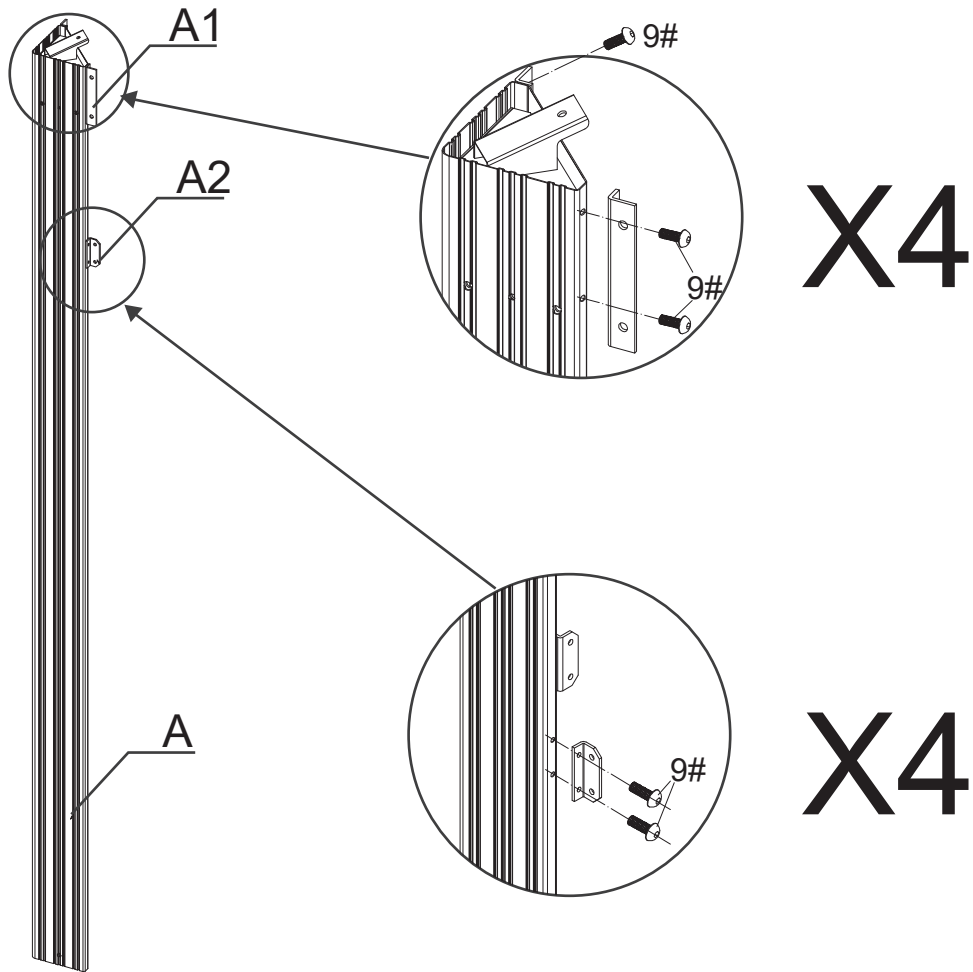
17-21
(page)



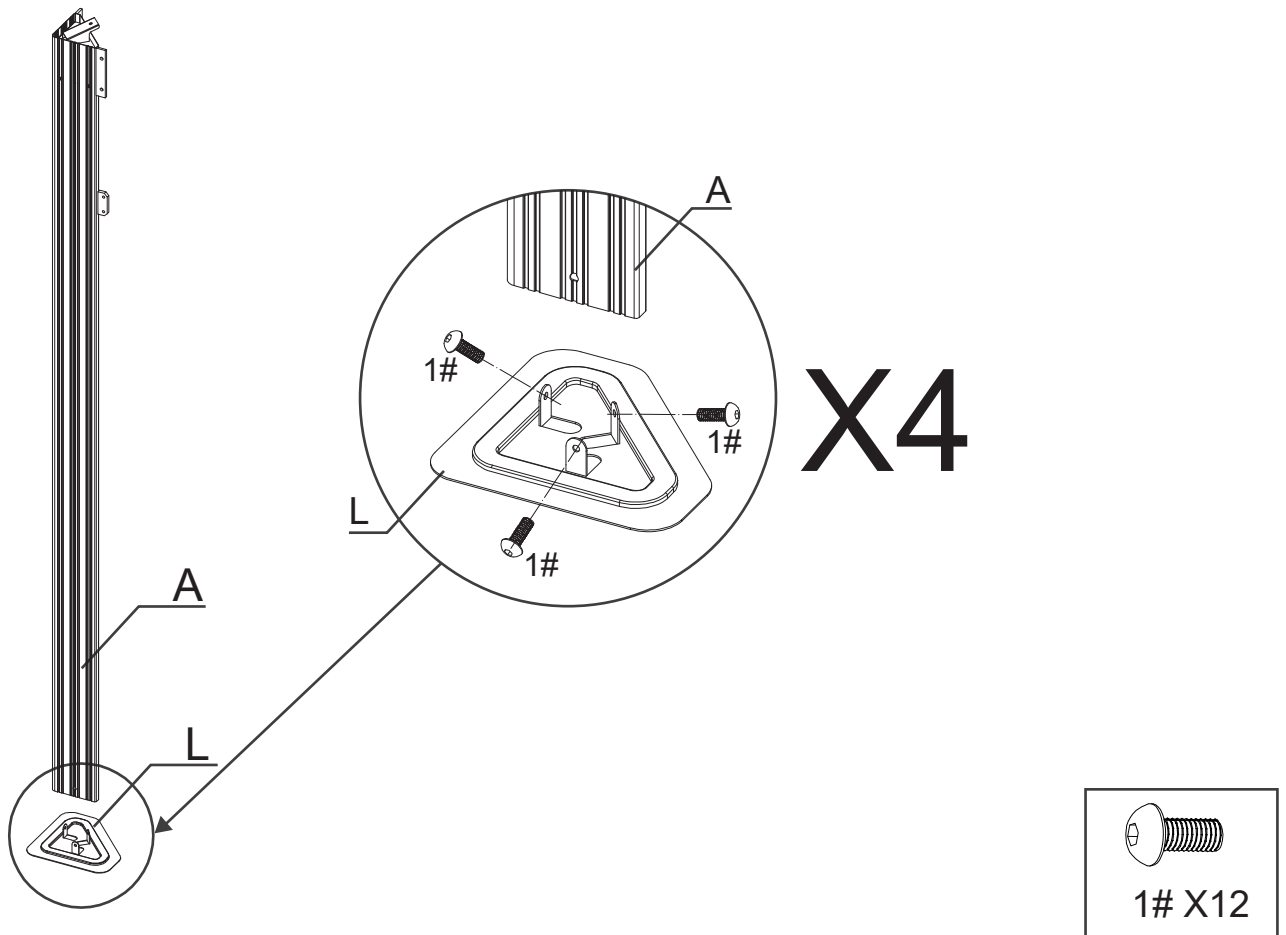
Curtain

22-24
(page)

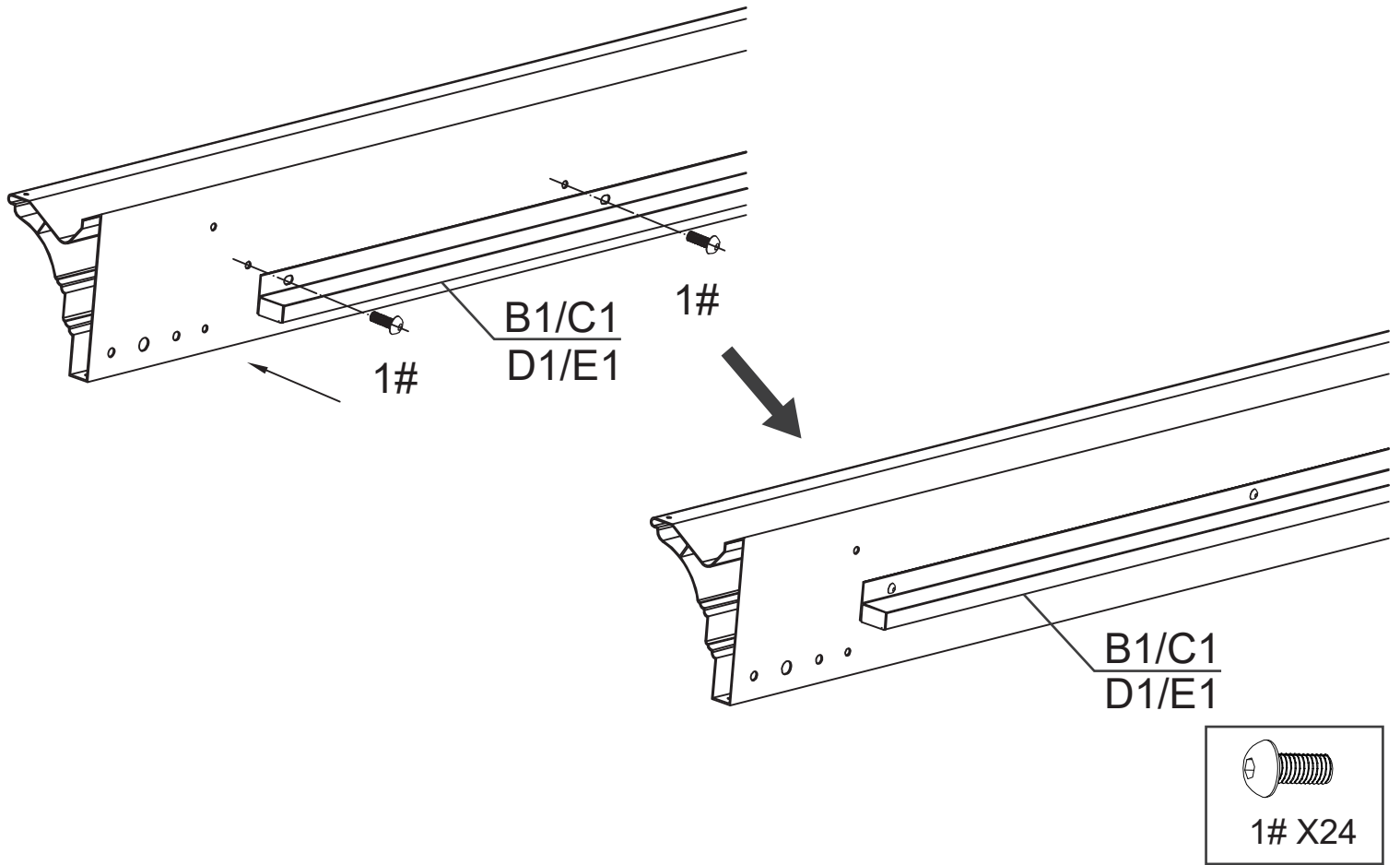
STEP 1



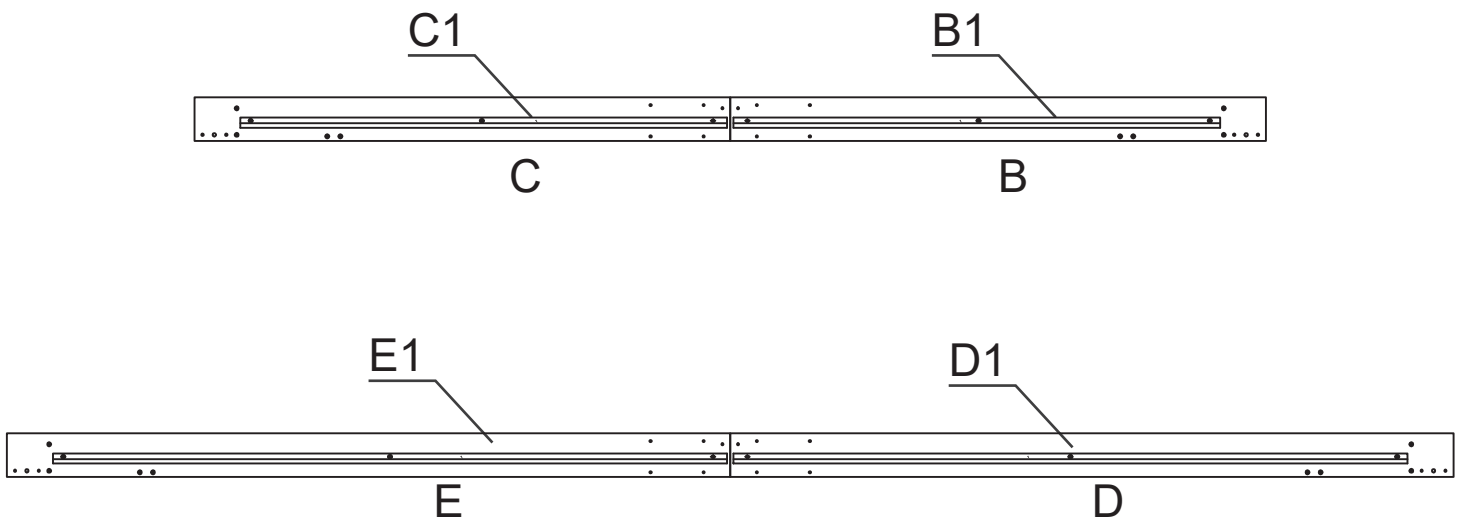
STEP 2



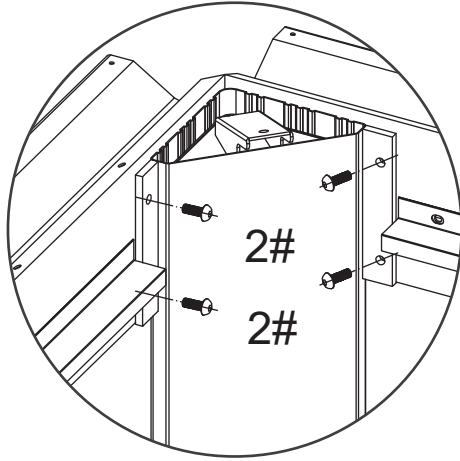
STEP 5



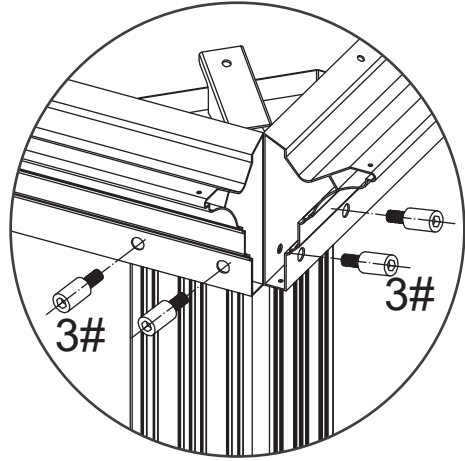
STEP 6



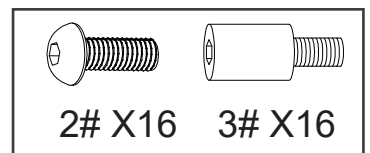
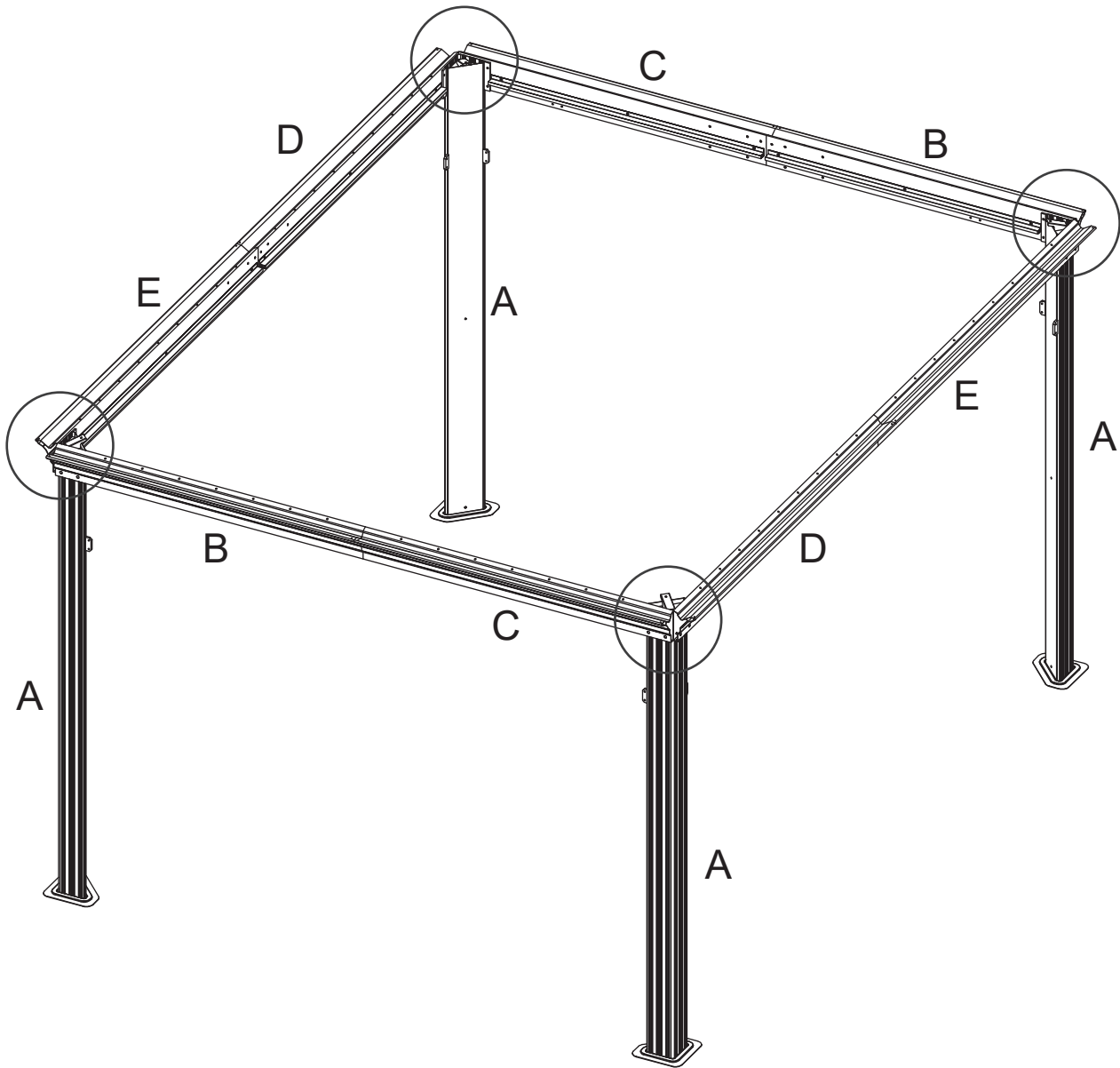
STEP 7



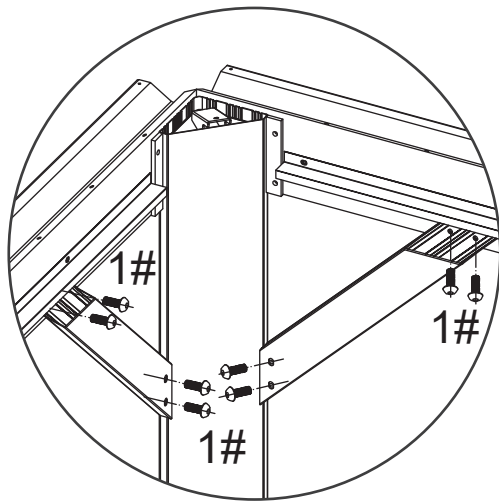
First step



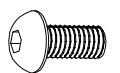
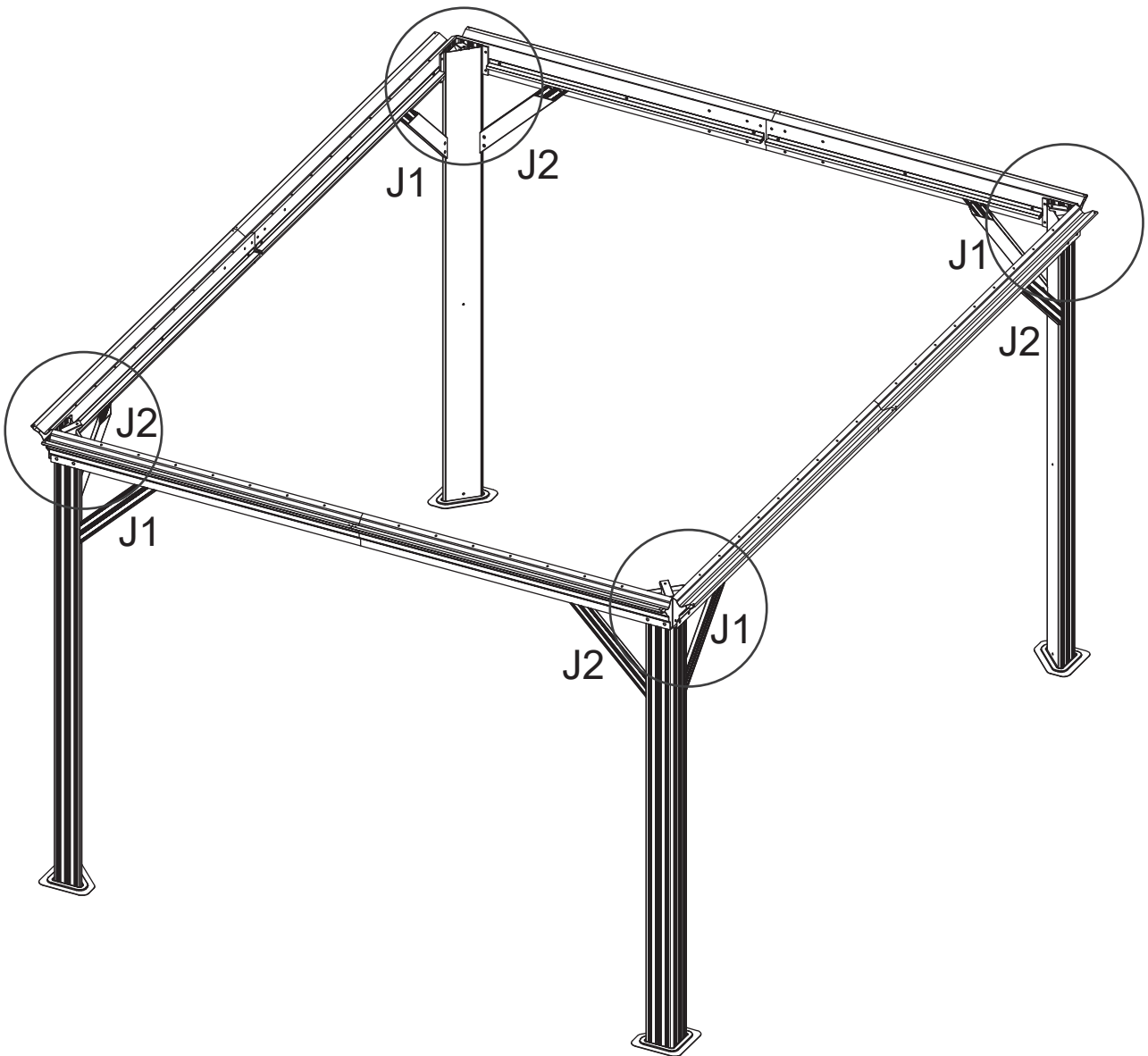
Second step



STEP 8

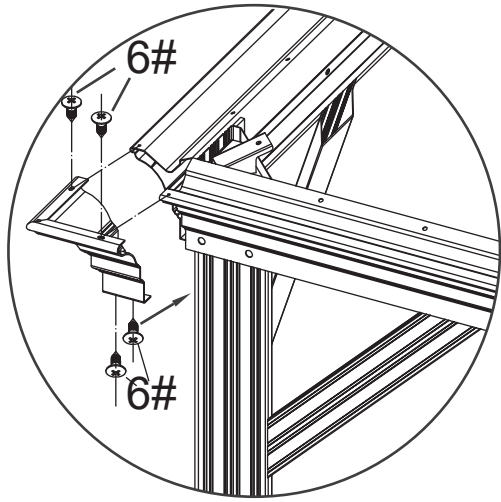


X4

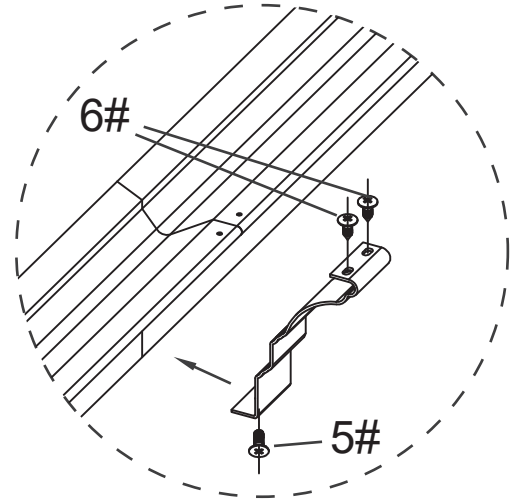


1# X32

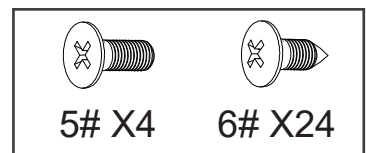
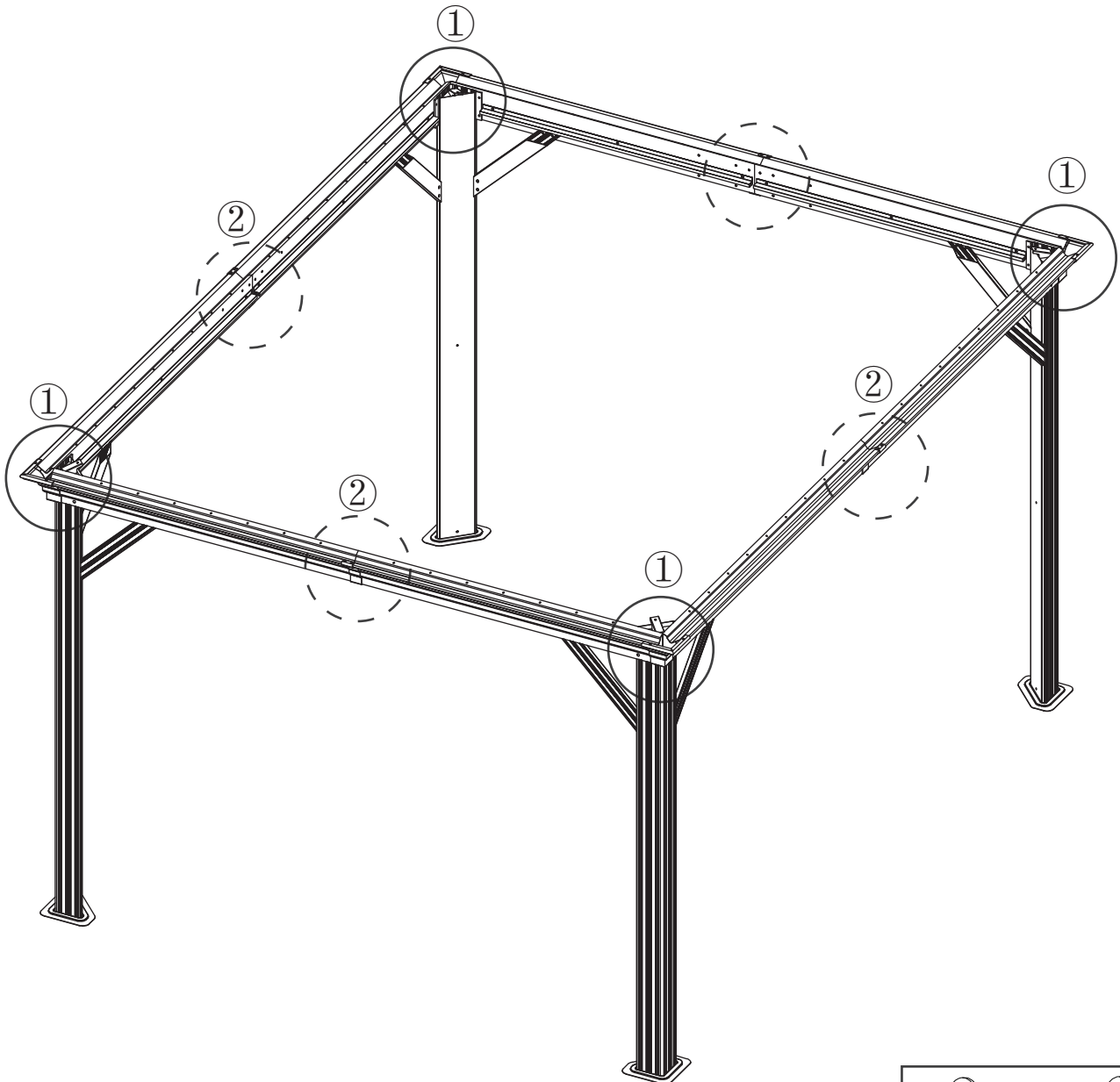
STEP 9



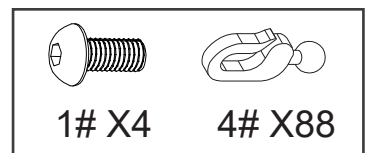
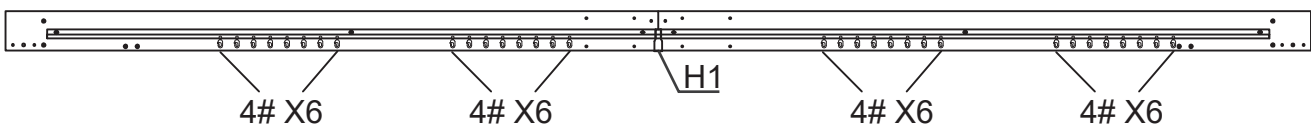
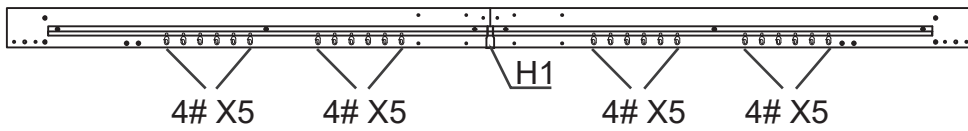
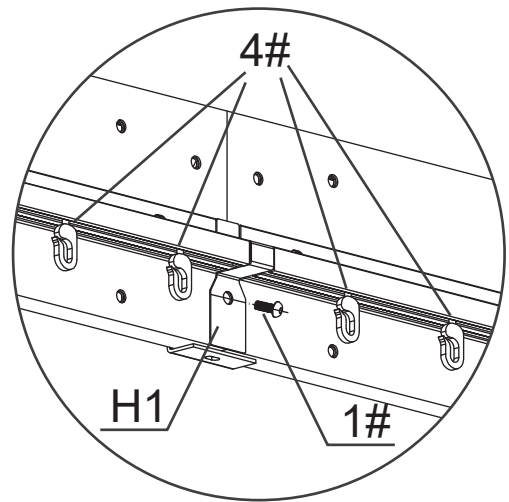
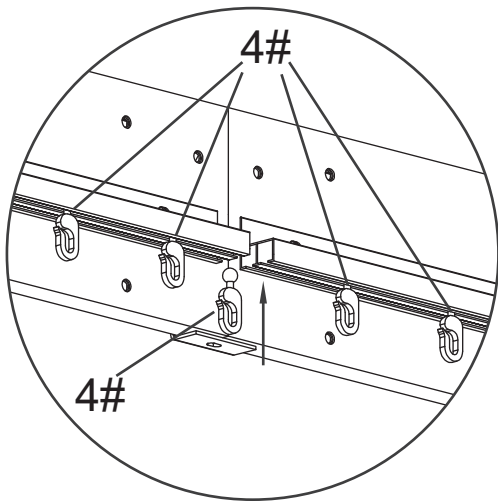
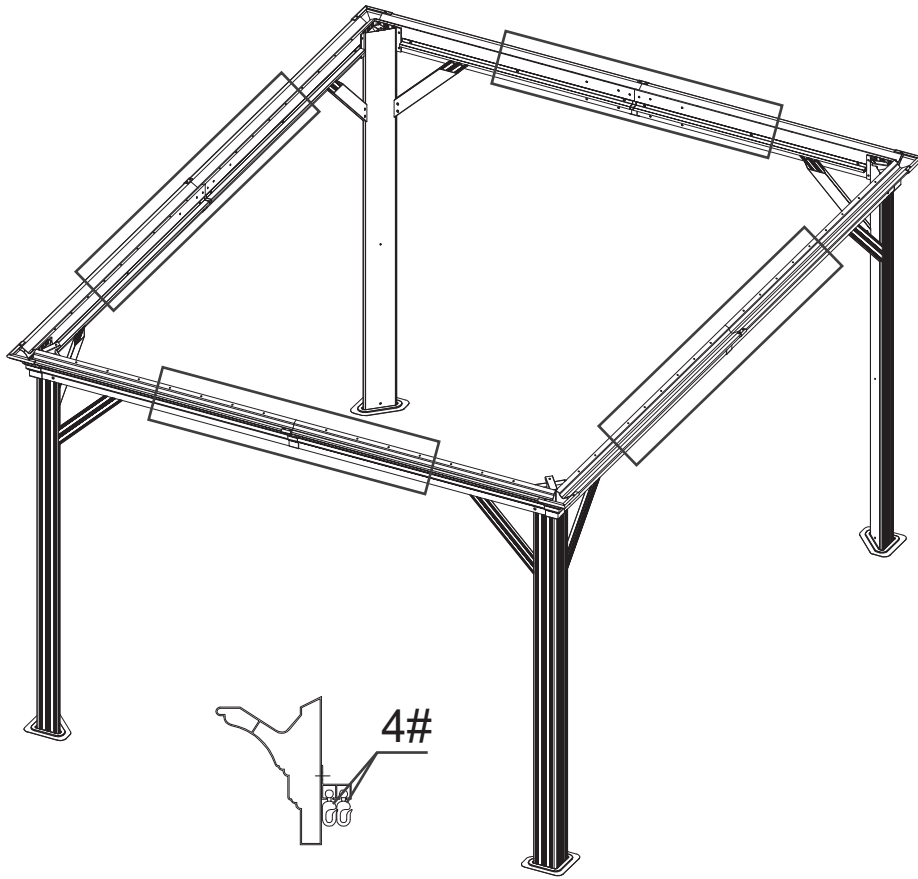
①



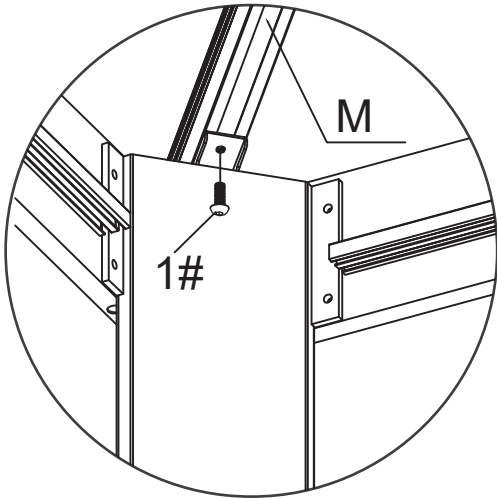
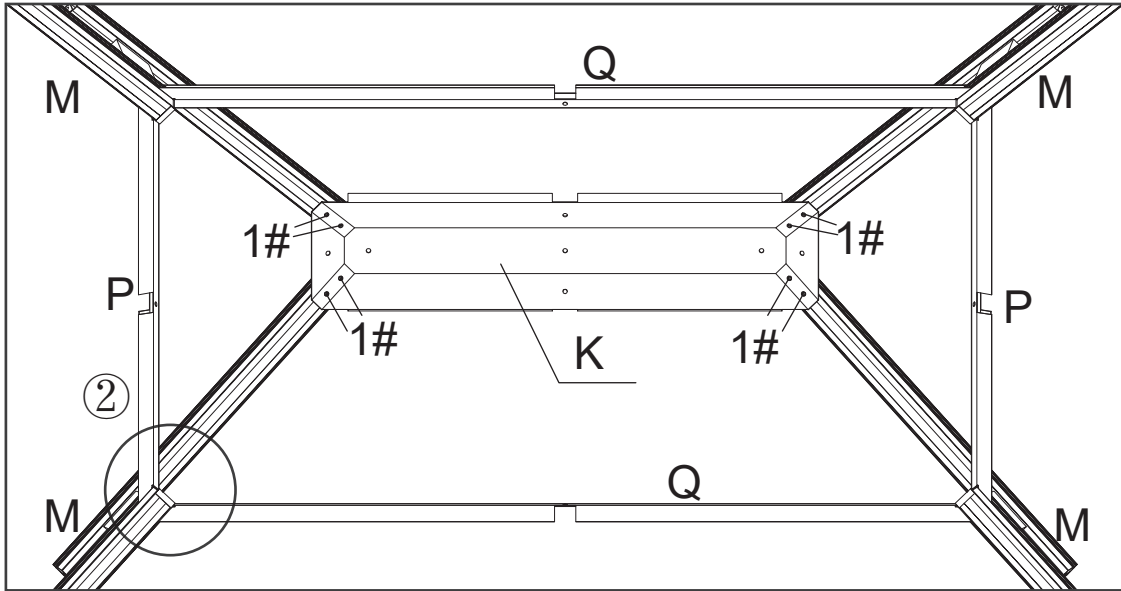
②



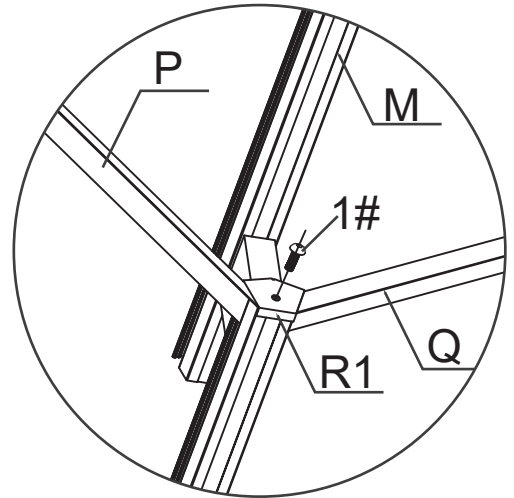
STEP 10



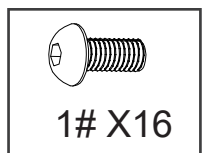
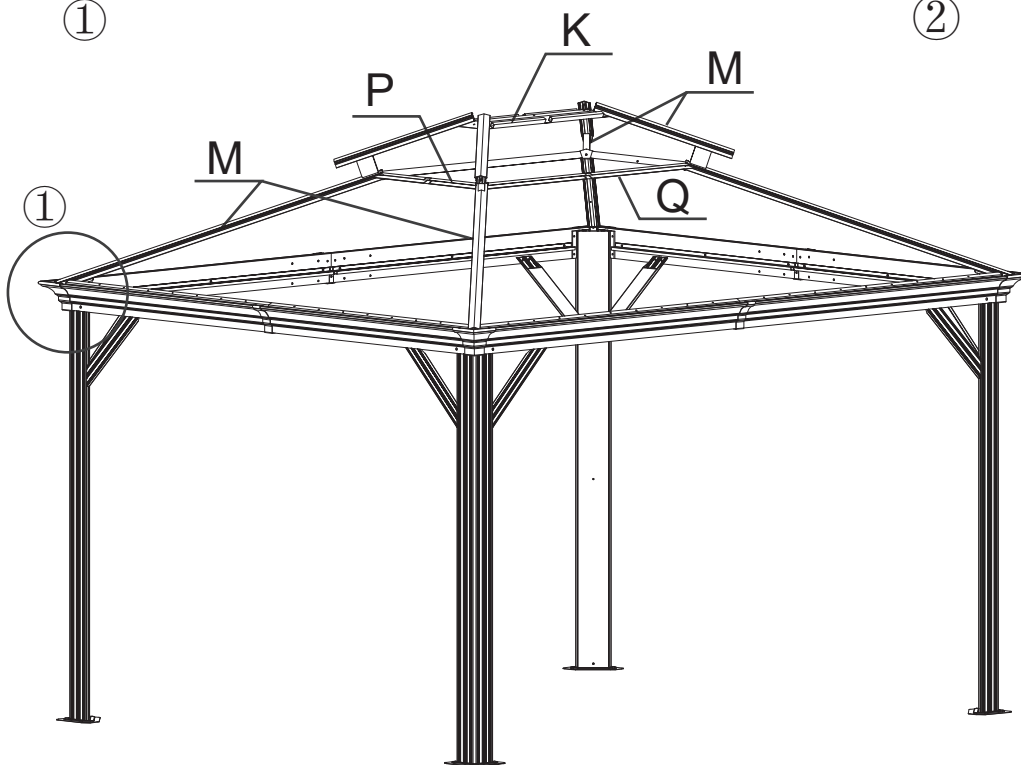
STEP 11



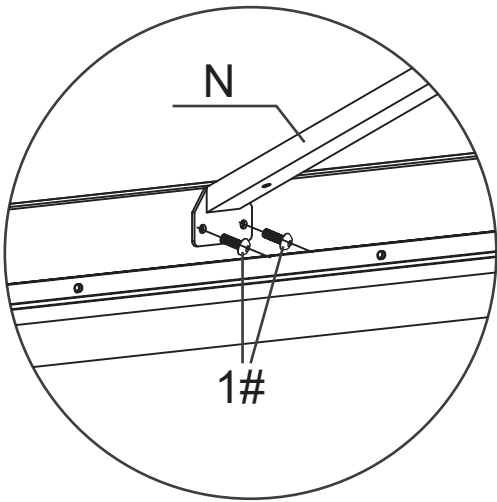
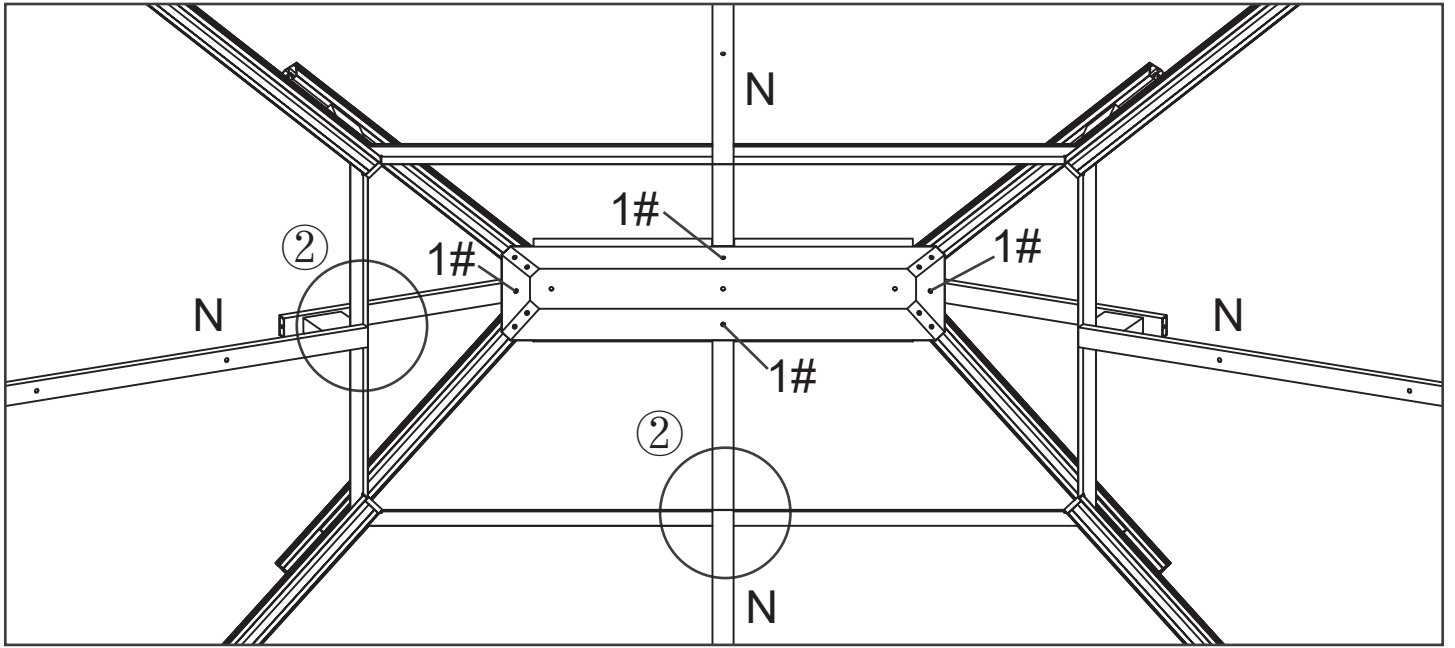
①



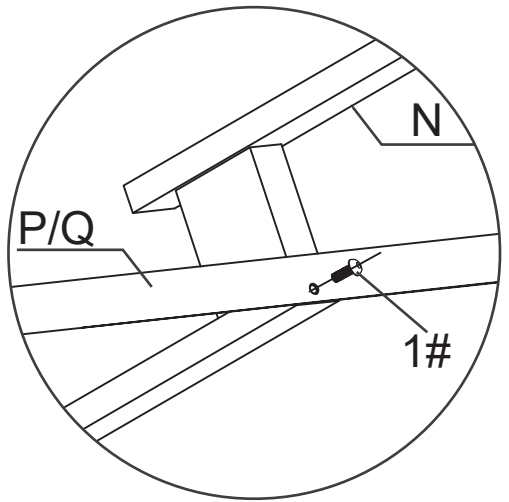
②



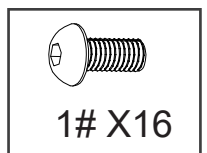
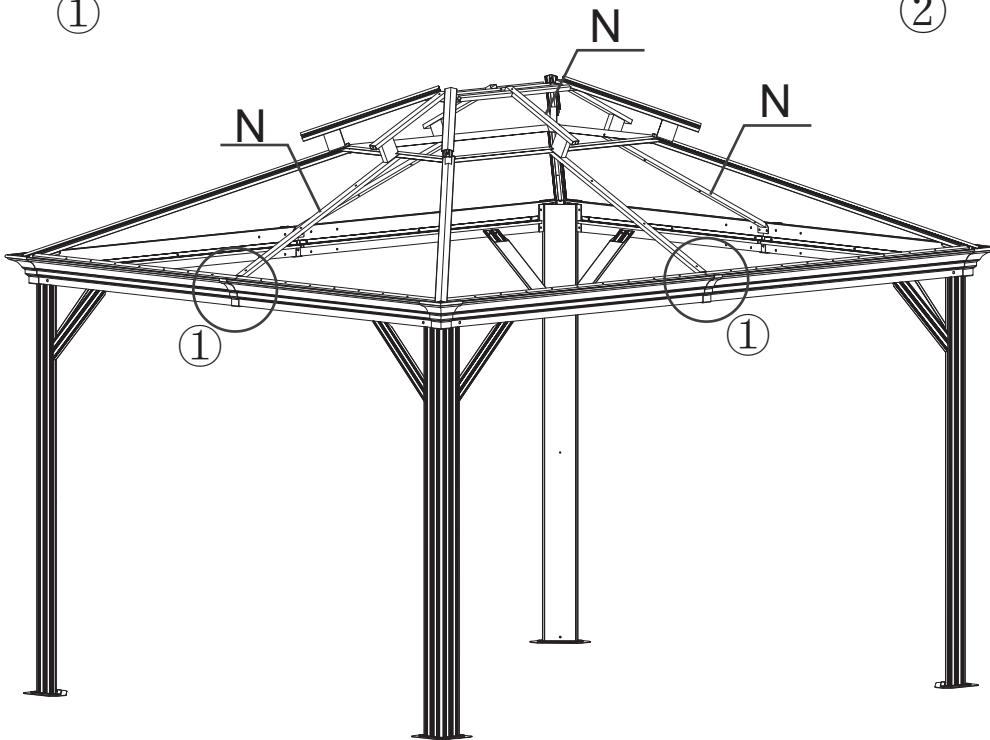
STEP 12



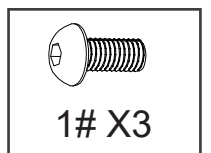
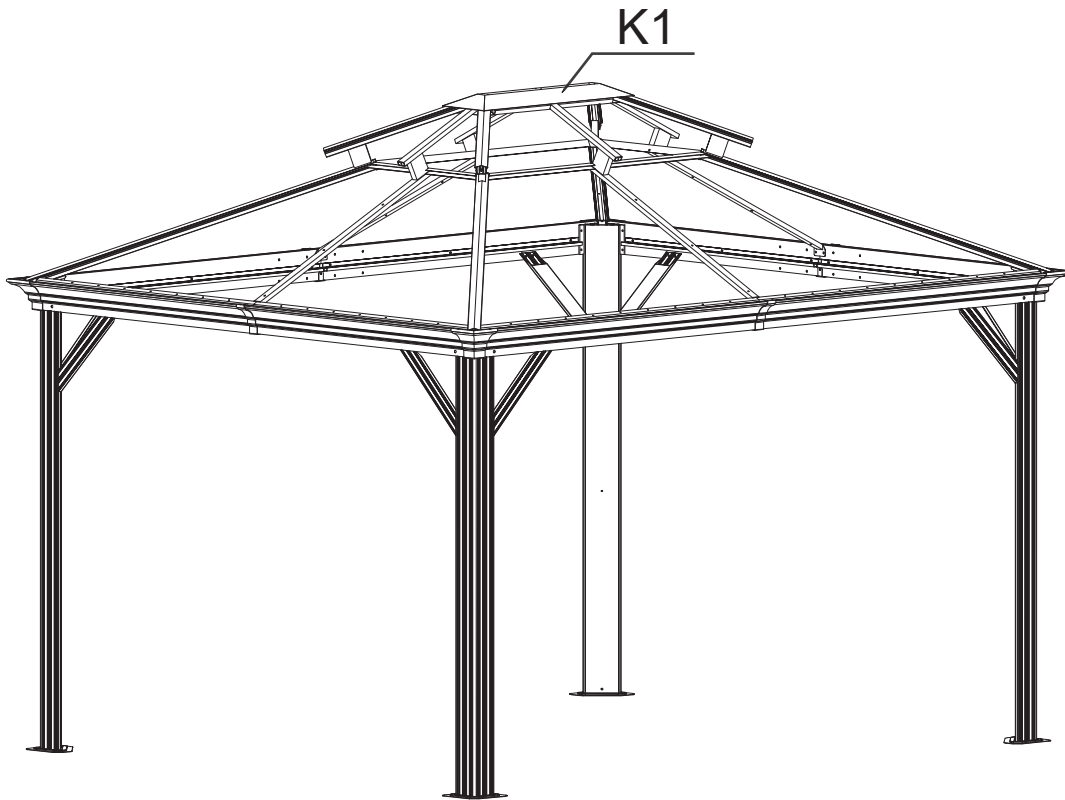
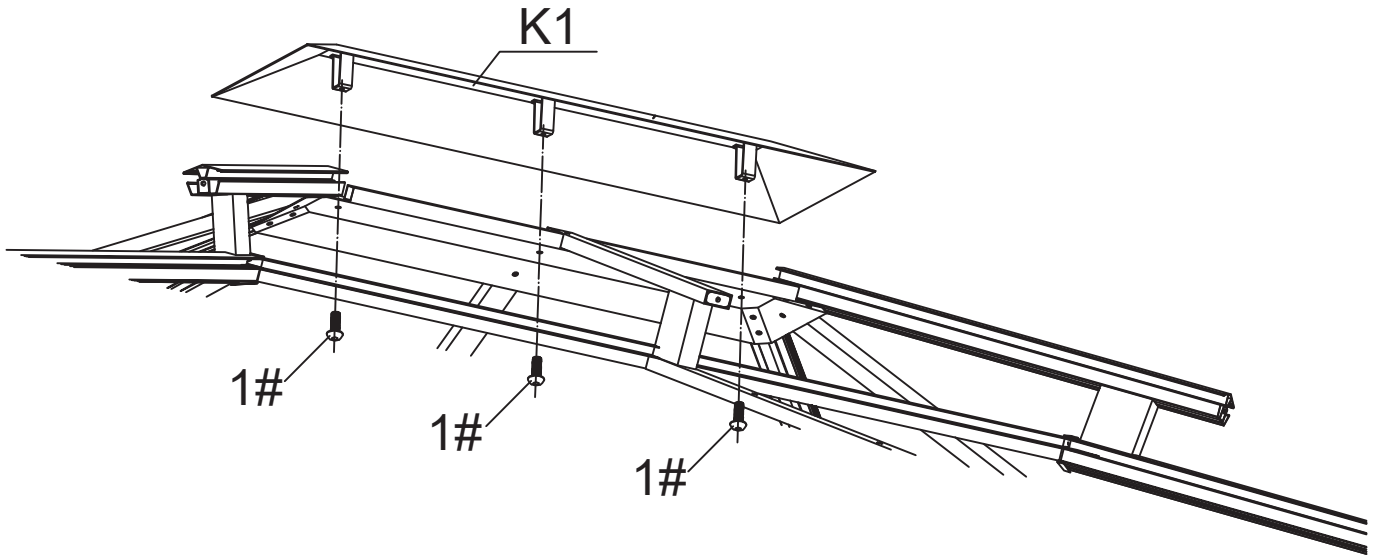
①



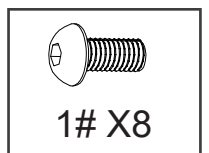
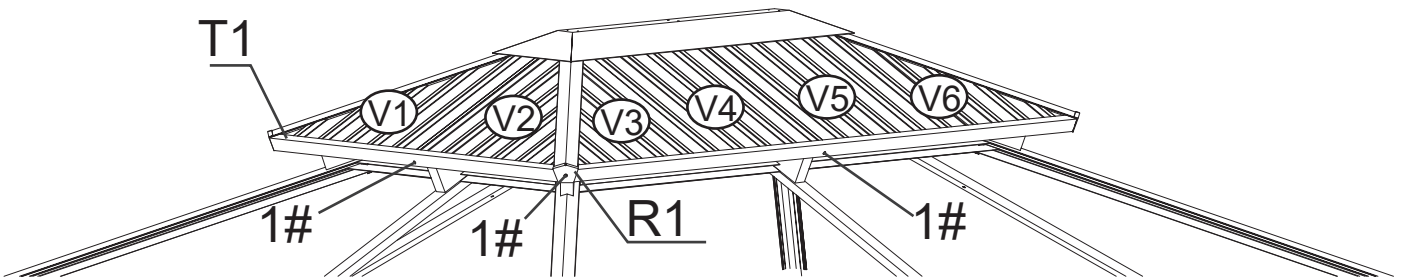
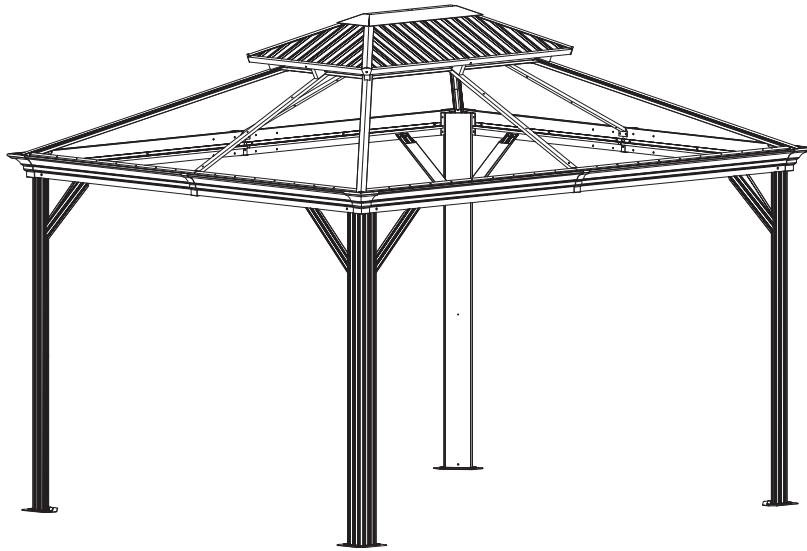
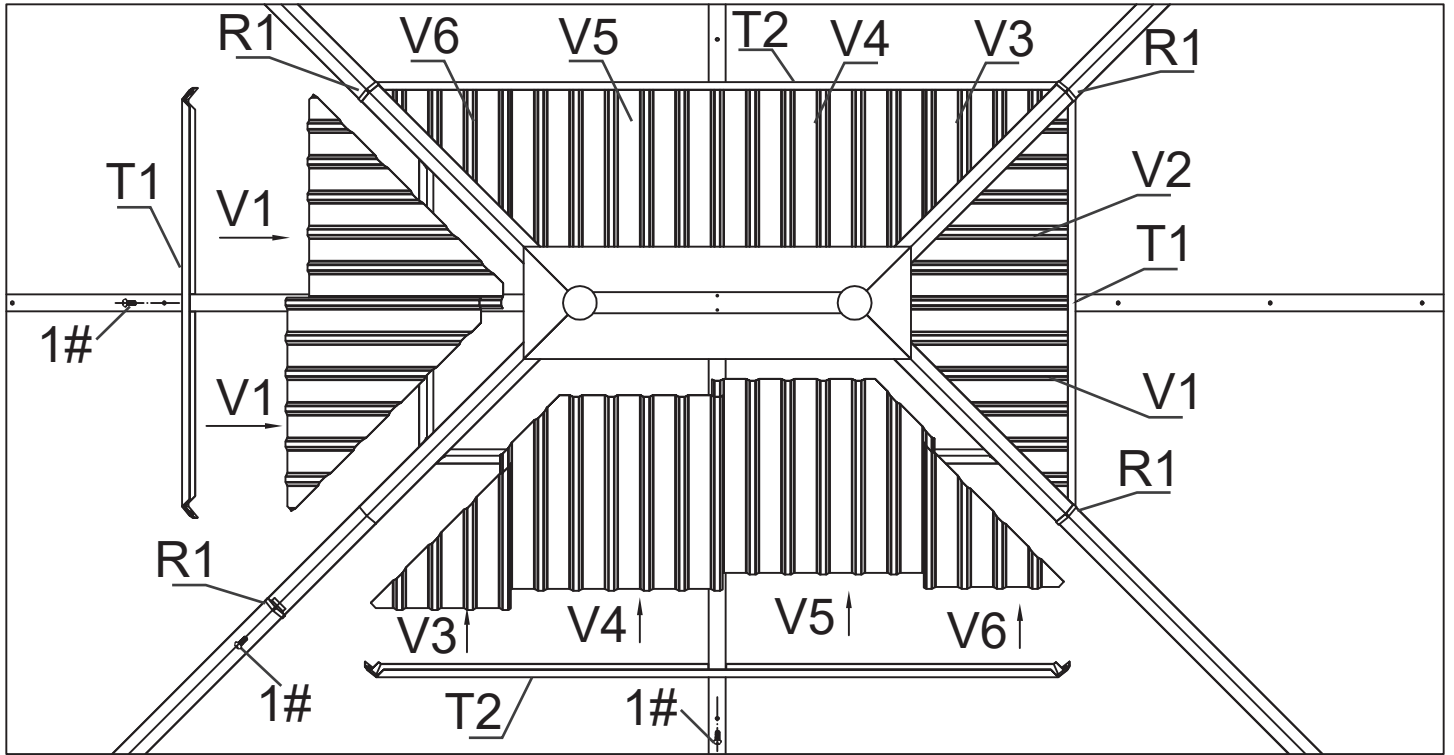
②



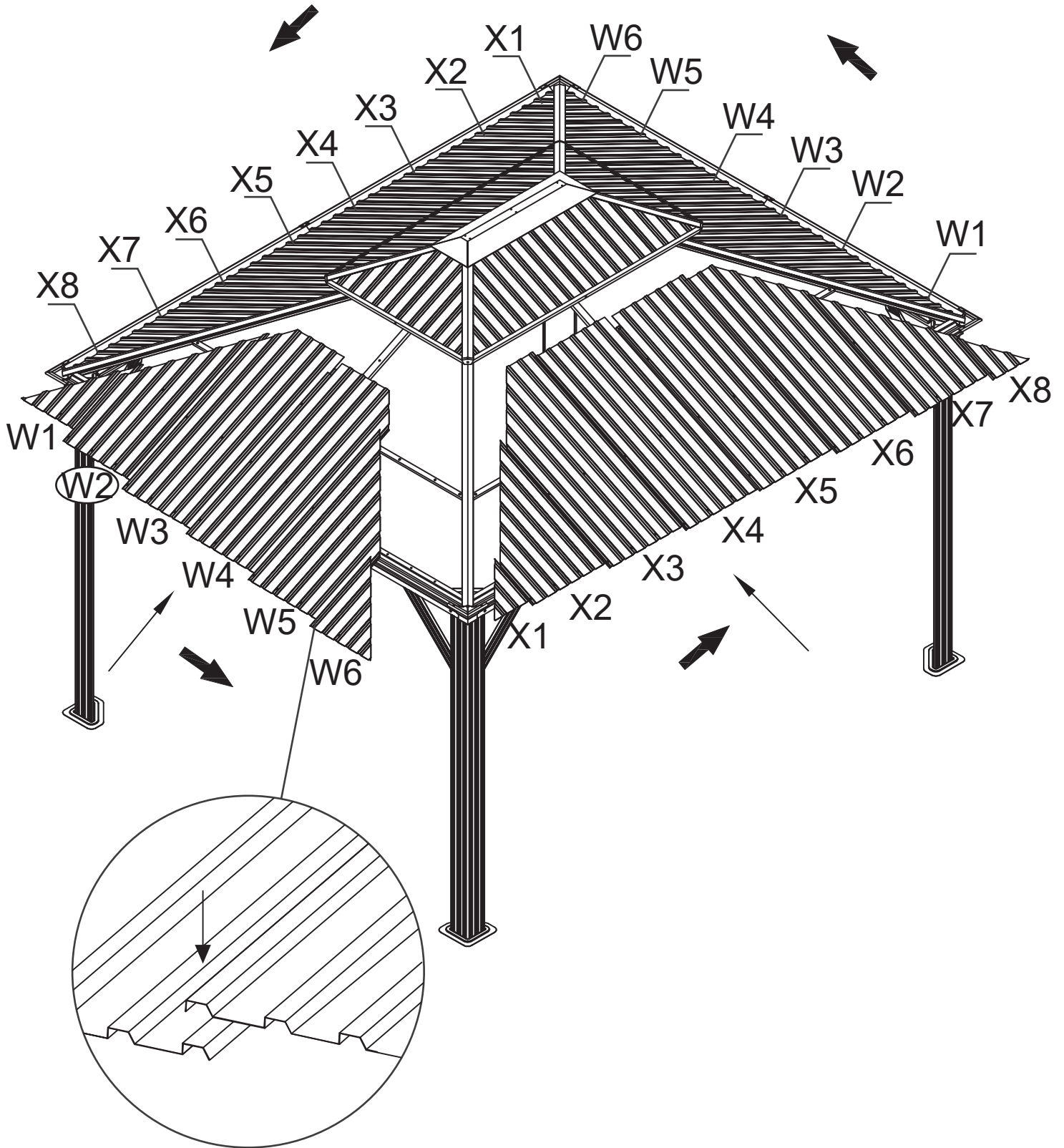
STEP 13



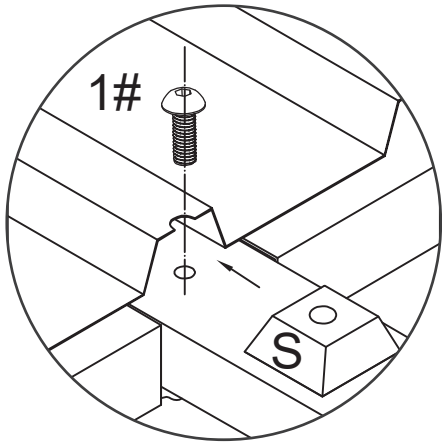
STEP 14



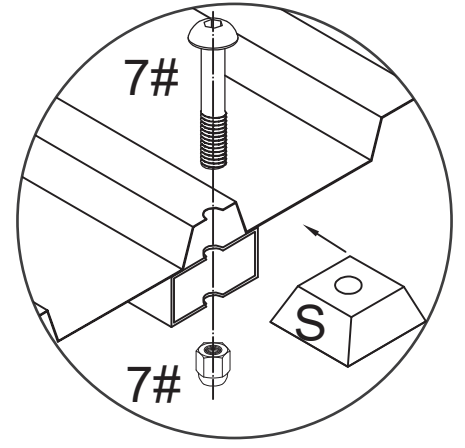
STEP 16



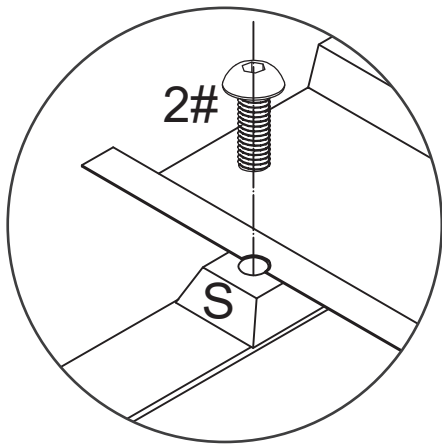
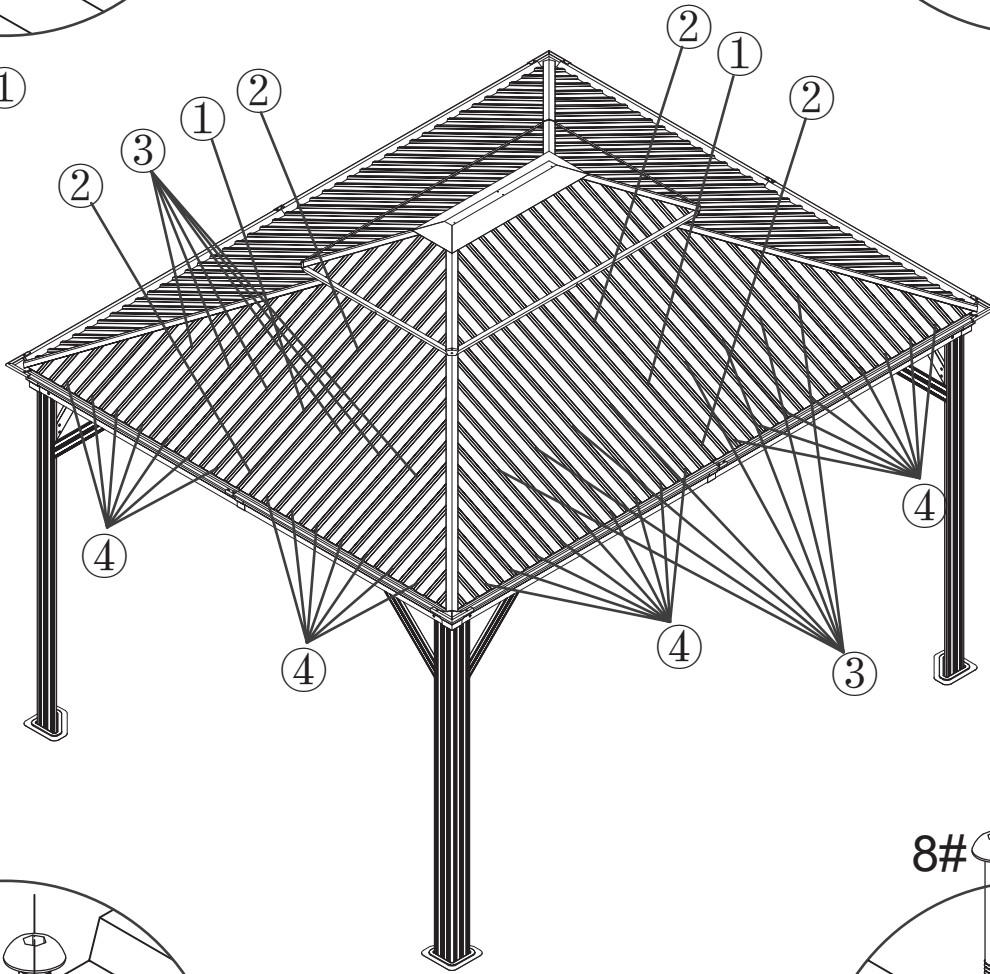
STEP 17



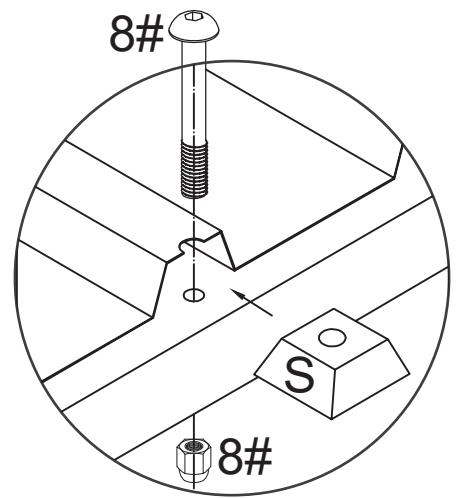
①



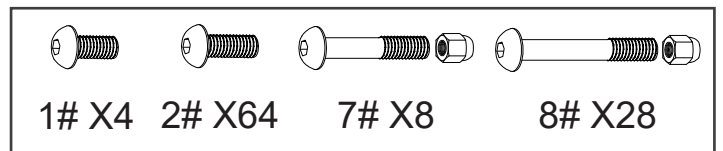
②



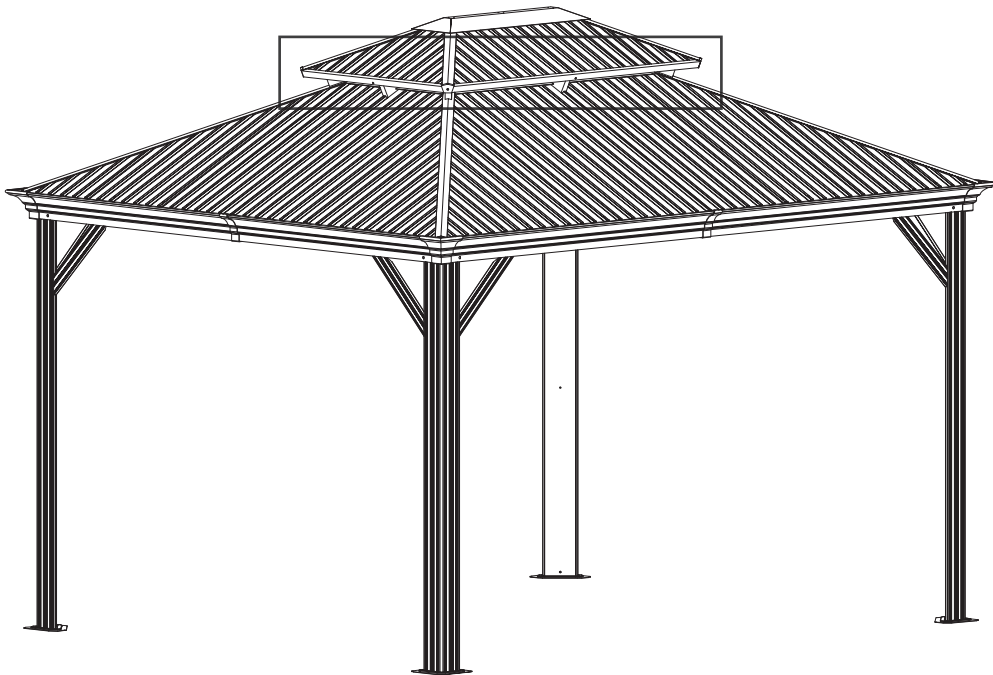
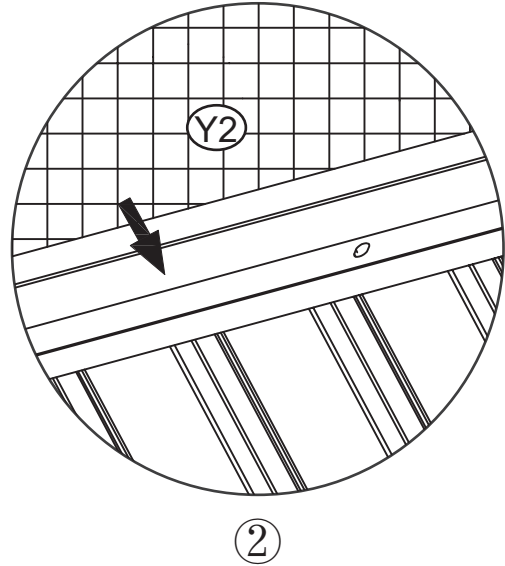
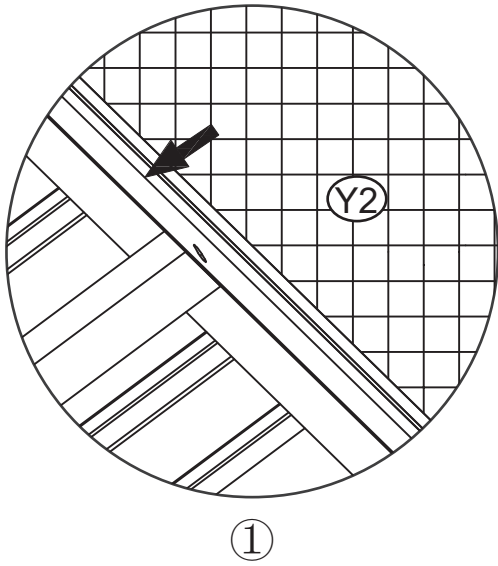
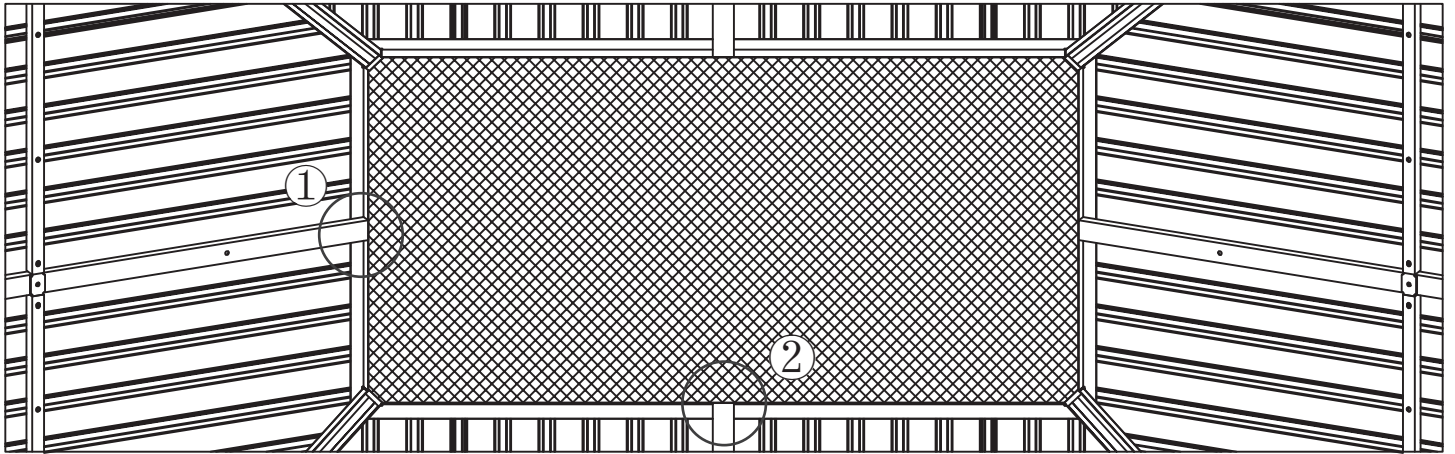
④



③



STEP 18



STEP 19

