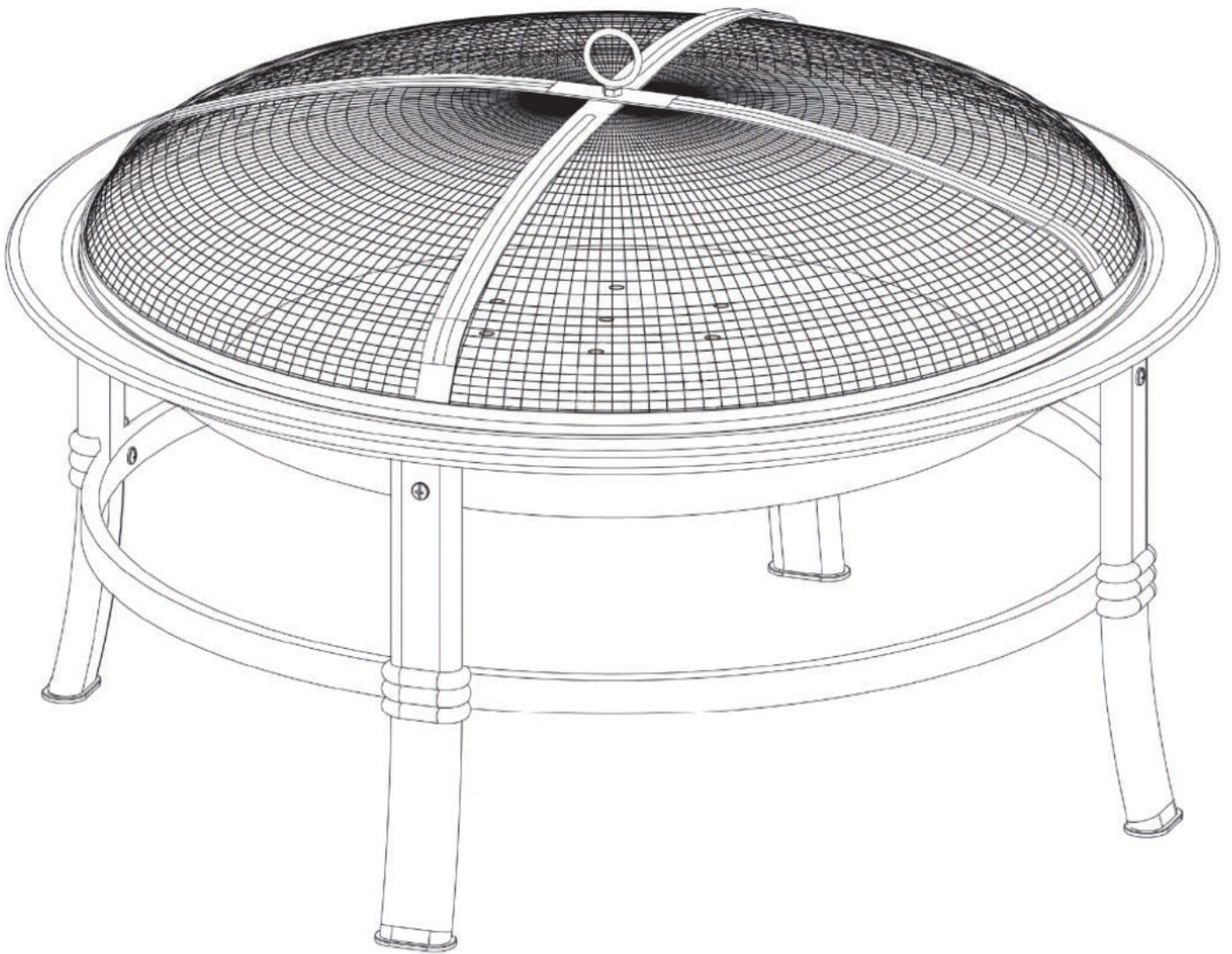


# Outdoor Fire Pit



## User Manual



## WARNING

### FOR YOUR SAFETY:

1. Improper installation, adjustment, alteration, service or maintenance can cause injury or property damage.
2. Read the installation, operation, and maintenance instructions thoroughly before installing or servicing this equipment.
3. Failure to follow these instructions could result in fire or explosion, which could cause property damage, personal injury, or death.
4. This instruction manual contains important information necessary for the proper assembly and safe use of the appliance.
5. Read and follow **all** warnings and instructions before assembling and using the appliance.
6. Follow **all** warnings and instructions when using the appliance.
7. Keep this manual for future reference.



## WARNING

### FOR YOUR SAFETY:

Do NOT store or use gasoline or other flammable liquids or vapors in the vicinity of this or any other appliance.



## DANGER

Never operate this appliance unattended.



## WARNING

### FOR YOUR SAFETY:

For Outdoor Use Only  
(outside any enclosure)

## Table of Contents

Important Safeguards .....	Page 3
Expanded View & Hardware .....	4
Assembly Instructions .....	5
Operating Instructions .....	7
Cleaning and Care .....	7

THIS INSTRUCTION BOOKLET CONTAINS IMPORTANT SAFETY INFORMATION. PLEASE READ AND KEEP FOR FUTURE REFERENCE.

If you are assembling this unit for someone else, give this manual to them to read and save for future reference.

# Important Safeguards

**▲ DANGER:** Failure to follow the dangers, warnings and cautions in this manual may result in serious bodily injury or death, or in a fire or an explosion causing damage to property.

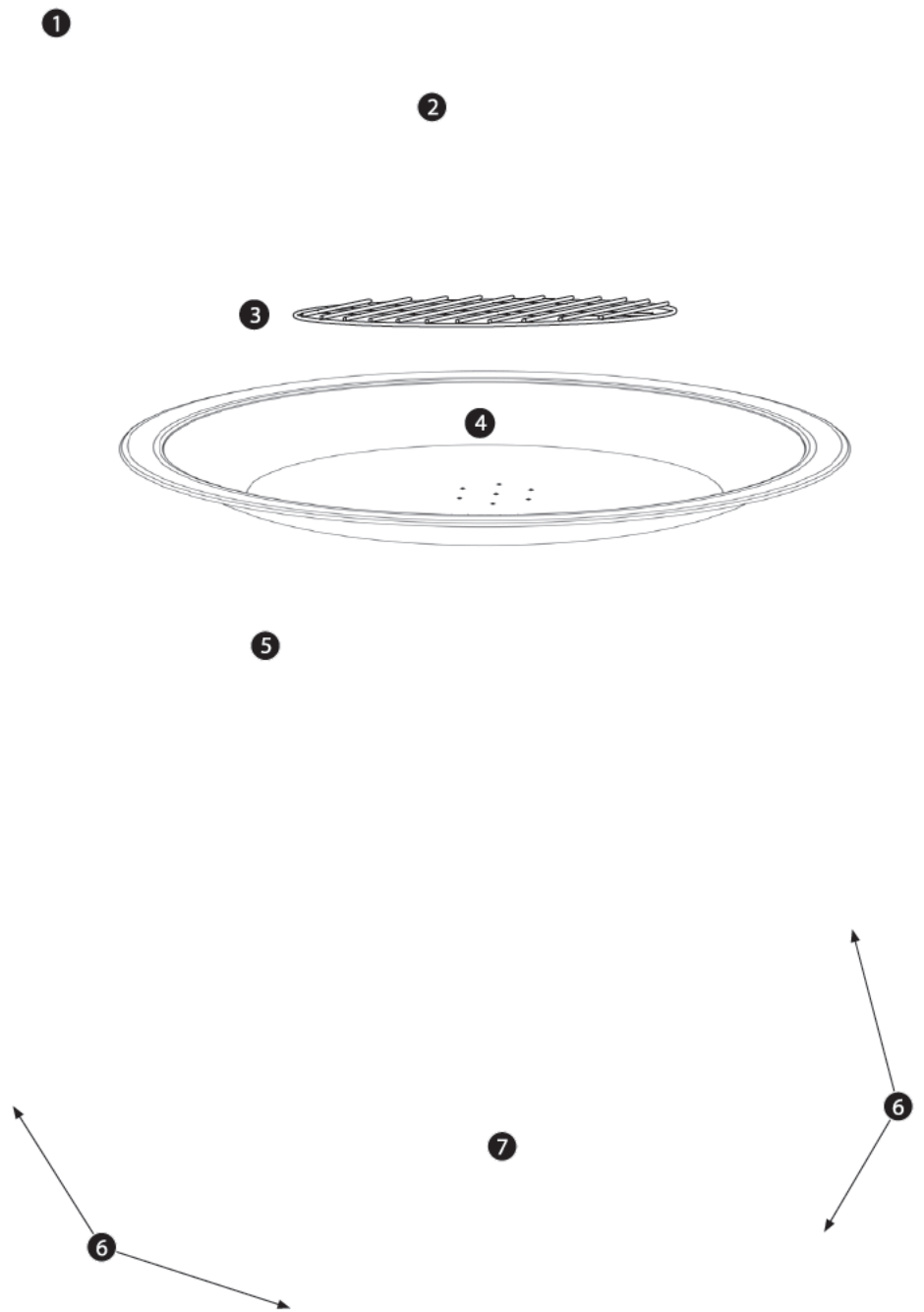
## WARNINGS:

- ▲ This appliance is for outdoor use only, and should NOT be used in a building, garage or any other enclosed area.
- ▲ Do NOT use this outdoor fire pit for indoor heating. TOXIC carbon monoxide fumes can accumulate and cause asphyxiation.
- ▲ This outdoor fire pit is NOT for commercial use.
- ▲ This outdoor fire pit is safety certified for use in the United States and Canada only. Do not modify for use in any other location. Modification will result in a safety hazard and will void the warranty.
- ▲ This outdoor fire pit is NOT to be operated by children.
- ▲ Do NOT operate, light or use this appliance within ten (10) feet (3.05 m) of walls, structures or buildings.
- ▲ Do NOT store or use gasoline, or any other flammable vapors or liquids within twenty-five (25) feet (7.62 m) of this or any other appliance.
- ▲ Do NOT use in an explosive atmosphere. Keep outdoor fire pit area clear and free from combustible materials, gasoline and other flammable liquids.
- ▲ Apartment dwellers: Check with management to learn the requirements and fire codes for using an outdoor fire pit in your apartment complex. If allowed, use outside on the ground floor with a ten (10) foot (3.05 m) clearance from walls or rails. Do not use on or under balconies.
- ▲ Always use in accordance with all applicable local, state and national codes. Contact your local fire department for details on outdoor burning.
- ▲ When using this outdoor fire pit, exercise the same precautions you would with any open fire.
- ▲ This outdoor fire pit is NOT to be used in or on boats or recreational vehicles.
- ▲ Do NOT use this outdoor fire pit under any overhead or near any unprotected combustible constructions. Avoid using near or under overhanging trees and shrubs.
- ▲ Do NOT use this outdoor fire pit without reading the entire Owner's Manual.
- ▲ This outdoor fire pit is designed for use with dry, seasoned hardwood. It will burn hotter, more completely and create less smoke.
- ▲ Do NOT burn charcoal briquettes, lump charcoal, manufactured logs, driftwood, trash, leaves, paper, cardboard, plywood, painted, stained or pressure-treated wood. Avoid using softwoods such as pine or cedar, which can throw sparks.
- ▲ Do NOT use gasoline, kerosene, diesel fuel, lighter fluid or alcohol to light or relight fires.
- ▲ Do NOT alter this outdoor fire pit in any manner. Any alteration will void your warranty.
- ▲ Do NOT use this outdoor fire pit until it is COMPLETELY assembled and all parts are securely fastened and tightened.
- ▲ The use of alcohol, prescription or non-prescription drugs may impair the consumer's ability to properly assemble and/or safely operate this outdoor fire pit.
- ▲ Do NOT use this outdoor fire pit near automobiles, trucks, vans or recreational vehicles.
- ▲ Always use this outdoor fire pit on a hard, level, non-combustible surface such as concrete, rock or stone. An asphalt or blacktop surface may not be acceptable for this purpose. Do NOT use on wooden decks.
- ▲ Do NOT wear flammable or loose clothing when operating this outdoor fire pit.
- ▲ Do NOT use in windy conditions.
- ▲ Do NOT lean over this outdoor fire pit when lighting or while in use.
- ▲ Do NOT use this outdoor fire pit unless spark guard(s) are securely in place.
- ▲ Keep all electrical cords away from a hot fire pit.
- ▲ All surfaces of this outdoor fire pit are hot when in operation. To avoid burns, do NOT touch fire pit until it has completely cooled (about 45 minutes) unless you are wearing protective gear (potholders, gloves, BBQ mittens, hot pads, etc.). Never touch ashes or embers to see if they are hot.
- ▲ Do NOT leave a lit outdoor fire pit unattended, especially around children and pets.
- ▲ Always empty this outdoor fire pit before each use.
- ▲ Do NOT attempt to move or store this outdoor fire pit until all ashes and embers are completely extinguished.
- ▲ Do NOT remove ashes or embers until they are completely and fully extinguished and the outdoor fire pit has completely cooled.
- ▲ Do NOT overload the fire pit. Do NOT add additional firewood until the fire burns down. NOTICE: If any portion of the bowl, lid or spark guard(s) of this outdoor fire pit are glowing red, it is overloaded.
- ▲ Do NOT place a hot spark guard or hot fire pit tools onto combustible surfaces such as grass, wooden deck or furniture.
- ▲ Avoid breathing smoke from the fire and avoid getting it into your eyes.
- ▲ This outdoor fire pit should be thoroughly inspected and cleaned on a regular basis.
- ▲ After a period of storage and/or non-use, check for signs of damage and creosote build-up. Do NOT operate until necessary repairs and/or cleanup are executed.
- ▲ Do NOT use oven cleaner or other abrasive cleaners as they will damage this product.
- ▲ Do NOT clean any part of this outdoor fire pit in a self-cleaning oven as it may damage the finish.
- ▲ Use only RevoAce, Inc. factory-authorized parts. The use of any part that is not factory authorized can be dangerous and will void your warranty.
- ▲ Use heat-resistant gloves or hot pads when touching handles.
- ▲ Use long, sturdy fire pit tools when adding or moving logs.
- ▲ Use protective gloves when assembling this product.
- ▲ Do NOT force parts together as this can result in personal injury or damage to this product.
- ▲ Death, serious injury or damage to property may occur if the above is not followed exactly.


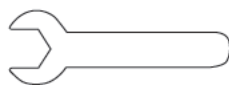
# Parts List

# Expanded View

①	Handle
②	Spark Guard
③	Log Grate
④	Bowl
⑤	Bowl Support
⑥	Leg (4)
⑦	Leg Support



Hardware			
A	Screw	M5x12 Black	4 pcs(+2)
B	Screw	M5x20 Black	4 pcs(+2)
C	Nut	M6 Black	1 pcs

Tools Required for Assembly (Not Included)	
 Phillips screwdriver	1 pcs
 Wrench	1 pcs

# Assembly Instructions

## 1 DO NOT RETURN TO PLACE OF PURCHASE.

For Easiest Assembly:

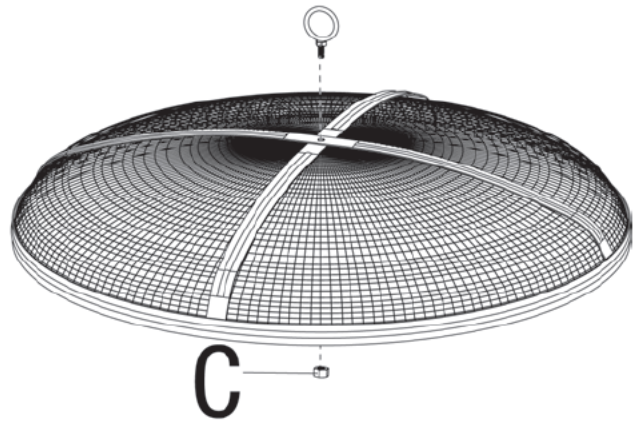
1. Select an area where you will assemble this product. To protect components, choose a smooth surface that's free of cracks or openings.
2. Spread out all parts.
3. Tighten **all** hardware connections by hand first. Then, before completing each step, go back and **fully** tighten **all** hardware. Be careful not to overtighten. That could damage surfaces or strip threads.
4. For best results, complete each step in the order presented.

To complete assembly you will need:

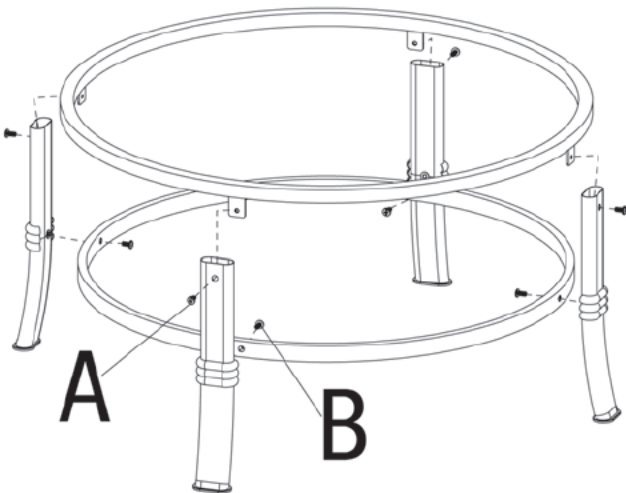
- Approx. 2.2 lbs. - 4.4 lbs. (1-2 kg) of wood (not included).

Typical assembly: approximately 30 minutes.

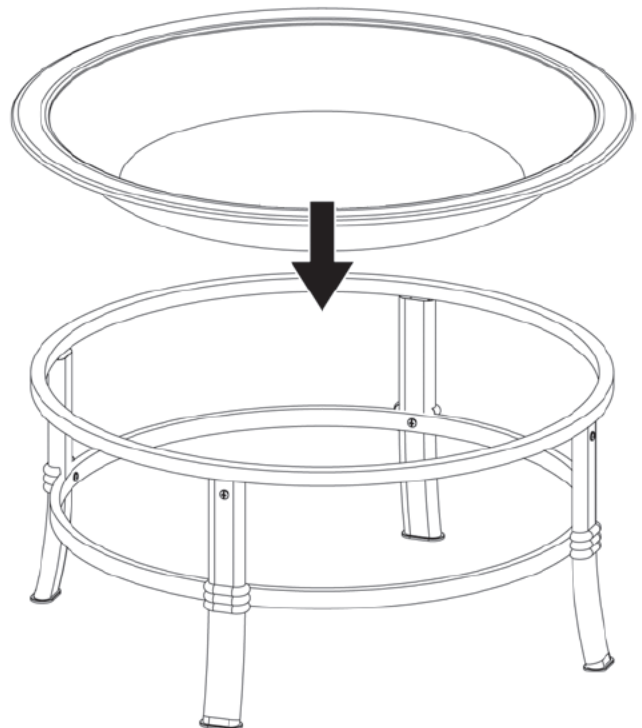
## 2 Attach Handle



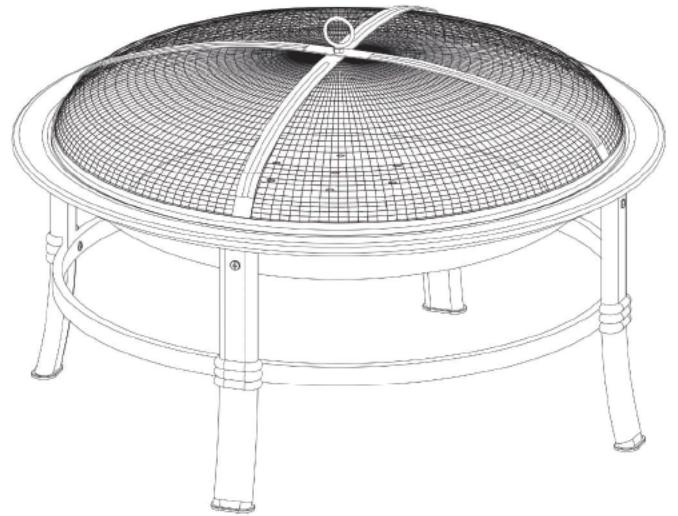
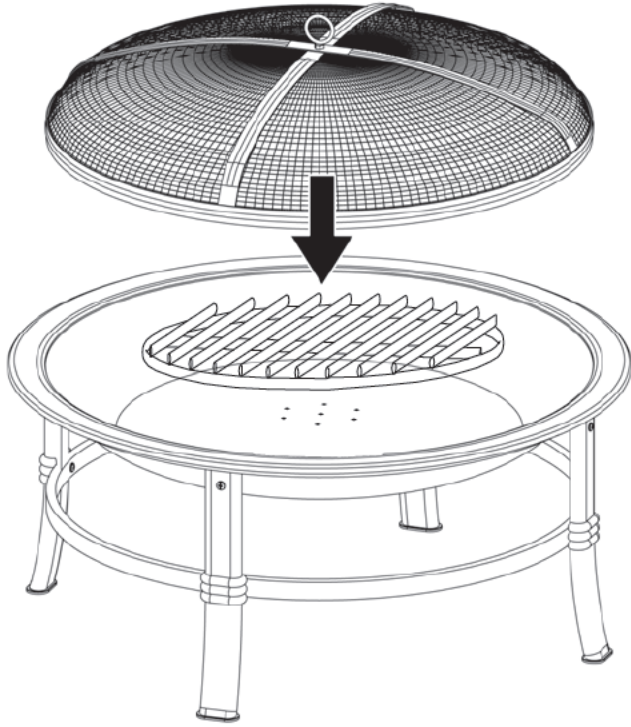
## 3 Attach Leg Support and Bowl Support



## 4 Insert Bottom Bowl



**5** Place Spark Guard



# Operating Instructions

- ⚠ WARNING:** Before using this outdoor fire pit, make sure you read, understand and are following all information provided in “Important Safeguards” on page 2. Failure to follow those instructions can cause death, serious injury or property damage.

## Tending the Fire

You may need to shift and/or add logs for an ideal experience.

- ⚠ CAUTION:** Do not place hot fire pit tools onto combustible surfaces such as grass, wooden decks or furniture.
1. Using heat-resistant gloves and a fire pit tool, carefully remove spark guard.
  2. While using a long-handled fire pit tool, shift coals and logs to allow additional airflow.
- ⚠ CAUTION:** Do not add gasoline, kerosene, diesel fuel, lighter fluid or alcohol to re-light or enhance an existing fire.
3. Wait until glowing embers have developed before adding any additional wood. If additional wood is needed, carefully place wood on top of embers.
  4. Use heat-resistant gloves and a fire pit tool to replace spark guard.

## Extinguishing

1. Allow fire to burn itself out.
2. Do NOT use water to extinguish the fire. This can be dangerous and cause damage.

## Cleaning and Care

- ⚠ CAUTION :**
1. All cleaning and maintenance should be done when appliance is cool (about 45 minutes) and with the fuel supply removed.
  2. DO not clean any part of this appliance in a self-cleaning oven. The extreme heat will damage the finish.

## Inspecting

This outdoor fire pit should be inspected on a regular basis to ensure product safety and longer product life.

- ⚠ CAUTION:** Do not attempt to inspect this outdoor fire pit until the fire is completely out and the fire pit has cooled.
1. Check handles to make sure they are secure.
  2. Check components for any signs of damage or rust.
  3. If damage to any component is detected, do NOT operate until repairs are completed.

## Cleaning

This outdoor fire pit should be cleaned on a regular basis to ensure product safety and longer product life.

Note: After repeated use, a slight discoloration of the finish may occur.

- ⚠ CAUTION:** Do NOT attempt to clean this outdoor fire pit until the fire is COMPLETELY out and the fire pit has cooled.
- ⚠ CAUTION:** Do NOT use oven cleaner or abrasive cleaners as they will damage this product.
- ⚠ CAUTION:** Do NOT clean any part of this outdoor fire pit in a self-cleaning oven as it may damage the finish.

1. Wipe exterior surfaces with a mild dishwashing detergent or baking soda.
2. For stubborn stains, use a citrus-based degreaser and a nylon scrubbing brush.
3. Rinse clean with water.
4. Remove built-up creosote from components with a chimney cleaning product.

Tip: Keeping the outdoor fire pit covered when cooled and not in use will help protect it from the elements.

## Cleaning and Care (continued)

### Storage

- ⚠ CAUTION:** Do not move or store this outdoor fire pit until the fire is completely out and the fire pit has cooled.
1. Once the fire is out, embers are cold and outdoor fire pit is cool to the touch, remove and properly dispose of the ashes.
  2. Store the outdoor fire pit assembled in a cool, dry location away from children and pets.

Dispose of the packaging separated into single type materials. Dispose of cardboard and carton as waste paper and foils via the recyclable material collection service. If you get an exception when using this product, please refer to the list below



Disposing of the packaging