

# Thank you for purchasing

## SERVICE CARD

We strive to make sure each item you got is perfect and ensure all parts and hardware are included in our package. However if you are experiencing a shortage of any parts or hardware, PLEASE do not return the product to any local store directly. Try to contact us, we will do our best to solve your problem and expedite the missing item to you as soon as possible from our local custom er service center.

## Notice



Read this assembly manual carefully and make sure you have all the parts list below before you begin to instau. Keep this assembly manual for future reference.



Protect finishes by placing furniture pieces on a soft carpeted surface during assembly.



Do not place very hot/cold objects on top of any surface. Always use a coaster or mat. Never leave liquids on the surface: Clean immediately with a mild soap and a damp cloth. Never use scouring powder based cleanser. Don't touch the glass surface with a hard/acute object it may cause the glass to shatter.



**DO NOT ASSUME CHILD SAFETY WITH ANY PIECE OF FURNITURE!**

Do not allow children to climb on furniture. Improper use can cause death or serious injury. If you are placing a TV on top use safety straps on your TV to prevent the risk of a toppling television. Furniture straps fastened to a wall can also be used to help ensure safety.

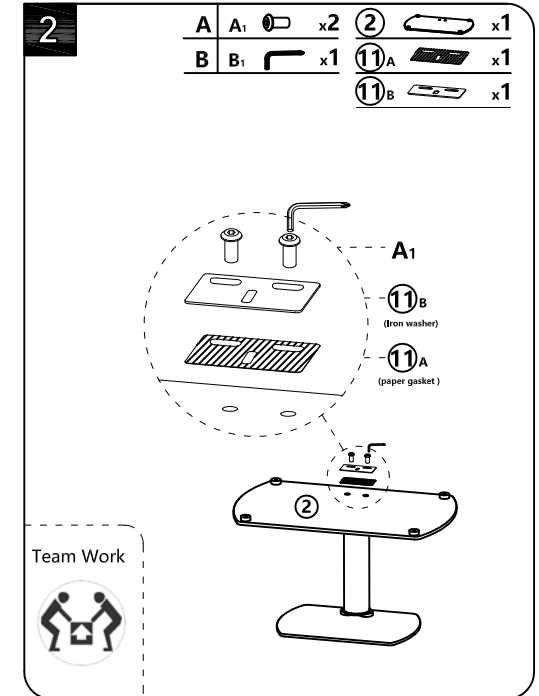
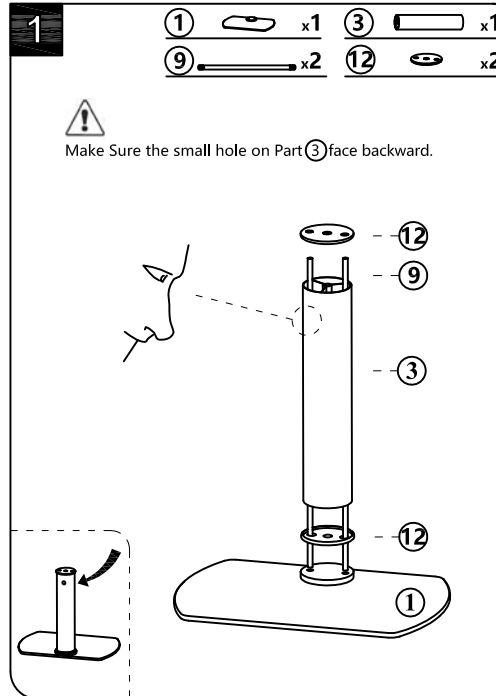
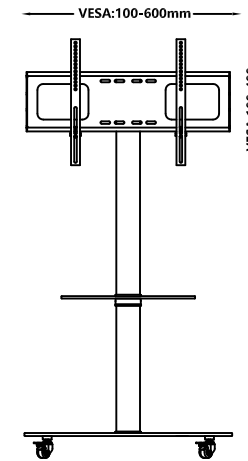
Damaged parts or furniture put together incorrectly can lead to serious injuries. Make sure to follow instructions correctly.

## Part list

① x1	② x1	③ x1	④ x1	⑤ x1
⑥ x2	⑦ x1	⑧ x2	⑨ x2	⑩ x2
⑪ x1	⑪ A X1 (paper gasket)	⑪ B X1 (Iron washer)	⑫ x6	⑬ x2
A	B	C	D	E
F	S			Tools Required(Not included)
	Screws for TV			

Please provide following information when you contact us. Your detail information will help us to bring you a more faster and effective service for you . Appreciate your kindly understanding and patience !

1. Your **Order No.** (Comes from your marketplace dashboard) . **Model No.** (On the left side below) **Series No.** (On the right side below)
2. Marketplace you place the order : Amazon, Walmart, Ebay or Others
3. What's the problem you had and the help you need



**3**

B	B <sub>3</sub>		x1	13		x2
				14		x2

⚠ Front 2 Wheels with brake, back Wheels without brake

⚠ Tighten screw z in anti-clockwise way after leveling the whole base.

**4**

10

**5**

4		x1	5		x1
12		x4	6		x2

D D<sub>1</sub> x2

D D<sub>2</sub> x2

B B<sub>2</sub> x1

⚠ Please don't fully tighten until Step 7 to fix all the screws in the right holes.

⚠ Make Sure the small hole on Part 4 face backward.

**6**

7		x1	
C	C <sub>1</sub>		x2

⚠ Stick C1 on top and bottom center of steel bracket.

Side View

**7**

F	F <sub>1</sub>		x1	C	C <sub>2</sub>		x2
					C <sub>3</sub>		x2
B	B <sub>1</sub>		x1				

⚠ Make Sure fully tighten all screws before putting on your TV.

Side View

**8**

⚠ Variant screws and spacers provided to fit your TV, however not for all brands. Maybe you need to use the original screws comes with your TV or buy the special screws by yourself.

S1		M6	x4	S5		x4
S2		M6	x4	S6		x4
S3		M8	x4			x8
S4		M8	x4	8		x2

Long Screws S5 8 S6    Long Screws S5 8 S6    Long Screws S5 8 S6    Short Screws S5 8

1    2    3

Curved or Recessed TV    Flat Panel TV

**9**

E	E <sub>1</sub>		x2
	E <sub>2</sub>		x2
	E <sub>3</sub>		x2
	E <sub>4</sub>		x2

⚠ Important: Lock your TV before using