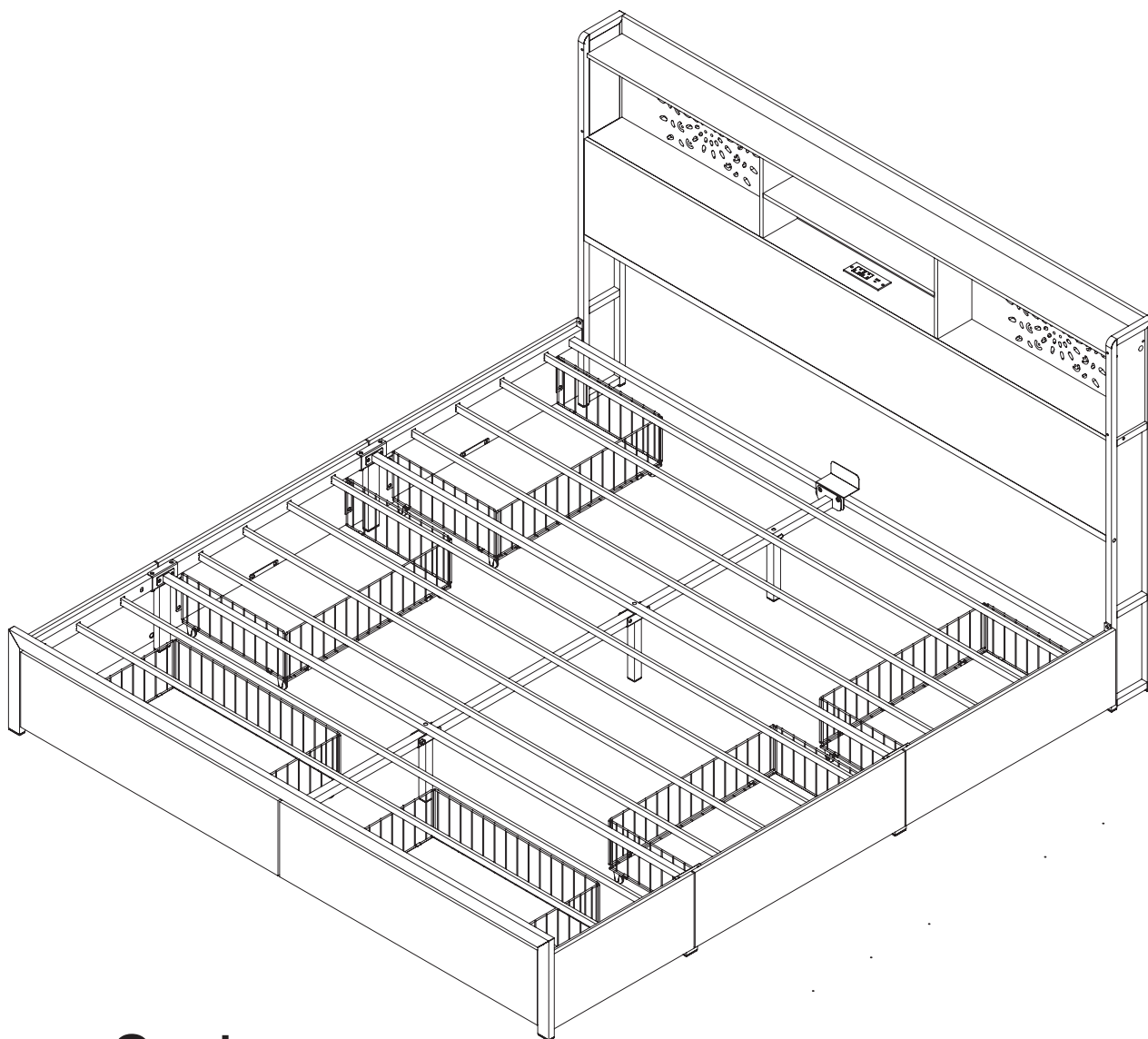

Storage Platform Bed

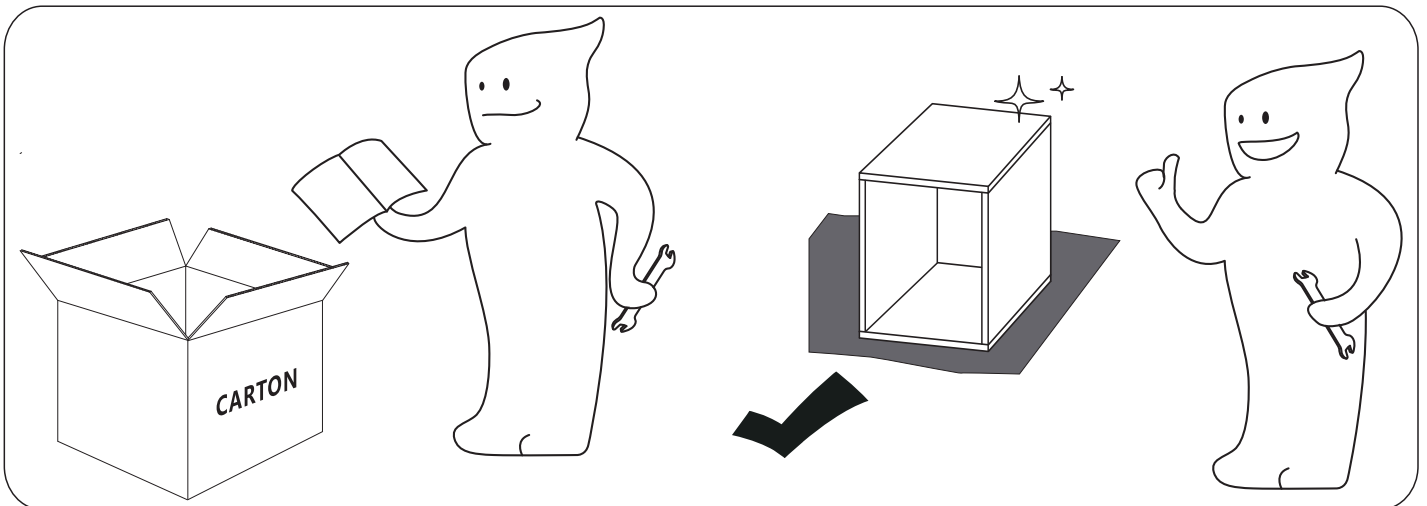
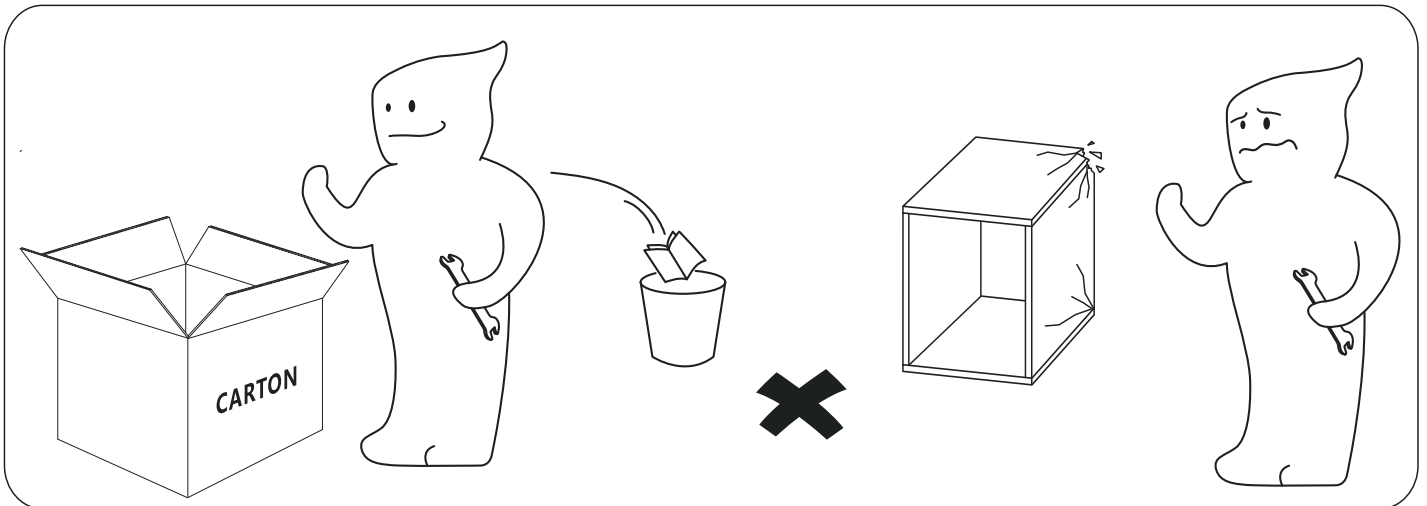


Dear Customers

Thank you for purchasing our product. Please read this instruction manual carefully after receiving this product. It will help you assemble this product quickly, safely and correctly. You can keep this manual for future reference

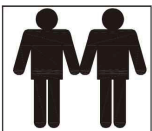
! IMPORTANT

Please follow the instruction manuals and use a pad to protect the product during your assembly.



Note:

1. Should be assembled on flat ground to keep balance.
2. Before completing the installation, do not tighten the screws.



For easier and better assembly, **2** or more adults are required.

NOTICE:

-Please retain these instructions for future reference.

-Please read the instruction sheets completely before assembly. Remove all parts from the carton and ensure all components are included before assembly.

-Assemble the bed on a protected surface to avoid scratching the components of the bed. Be careful not to cross-thread screws. Please use a piece of the cardboard packaging to protect your floor and product.

-Two people are recommended for assembly!

-Don't tighten all screws before you have installed all the parts of the bed.

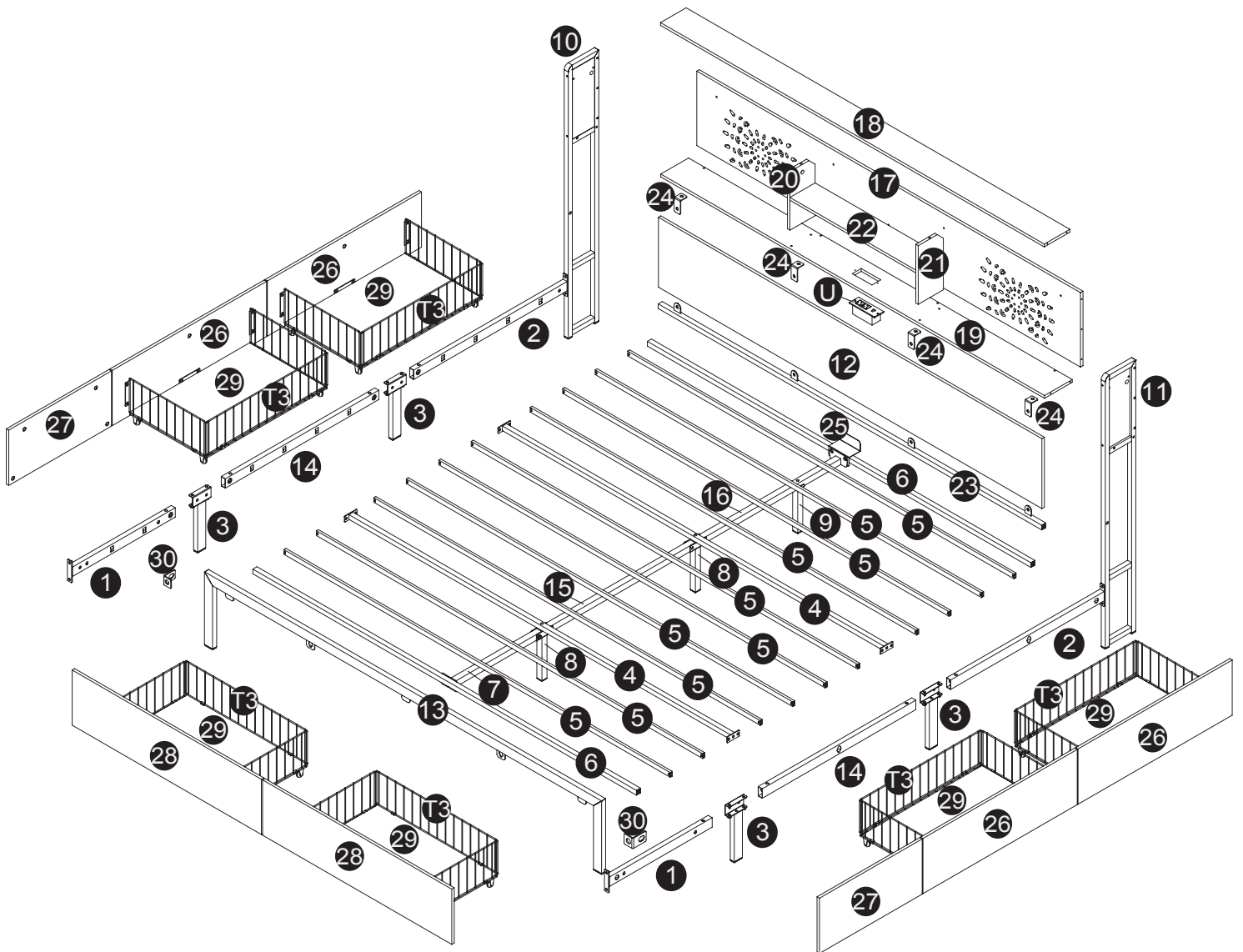
-When you assemble your bed, if you smell a weird smell of the material, please don't worry it's very Normal. What you should do is to air it for 1 or 2 days on your balcony, patio, or near your window. Our bed have been certified by the environment authority. So please don't worry it won't hurt your health, it's completely safe.

NOTICE:

RETURN/DAMAGE CLAIM INSTRUCTIONS:

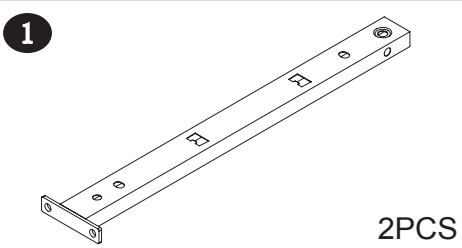
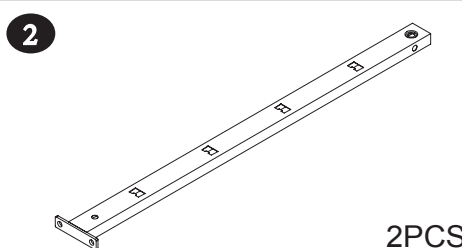
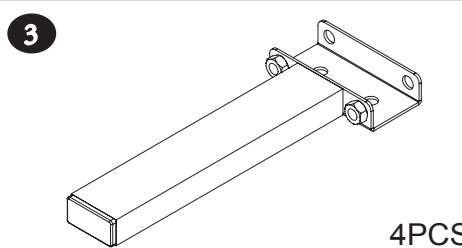
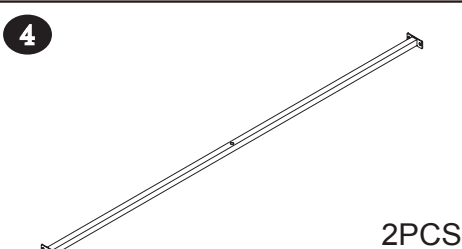
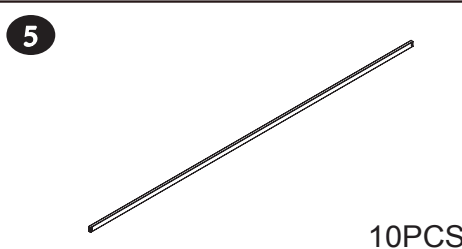
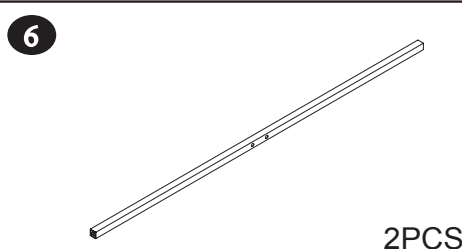
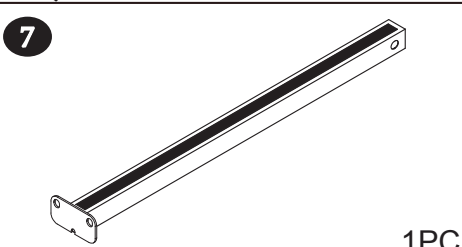
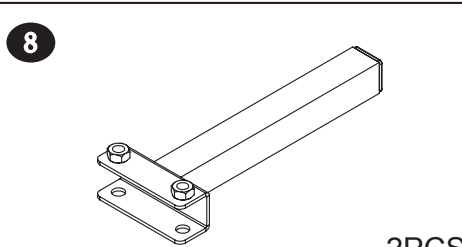
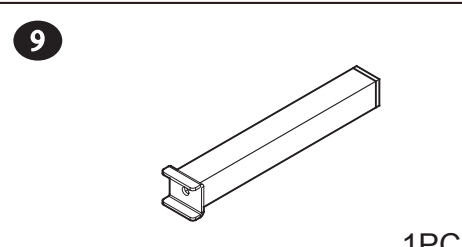
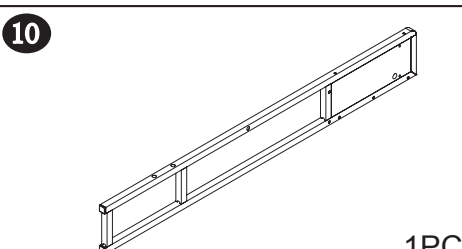
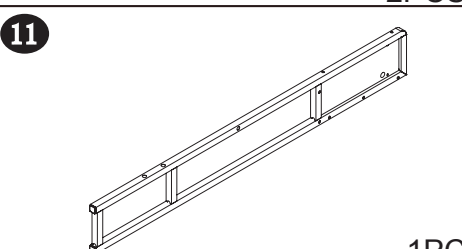
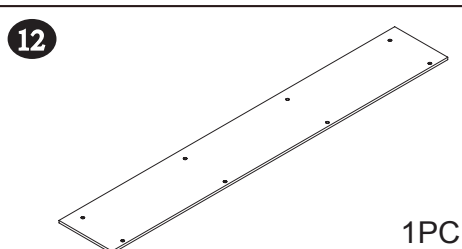
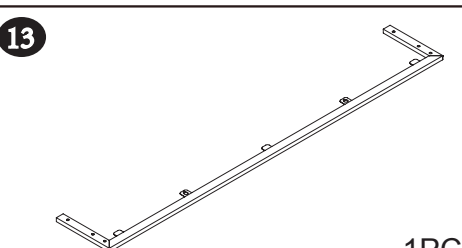
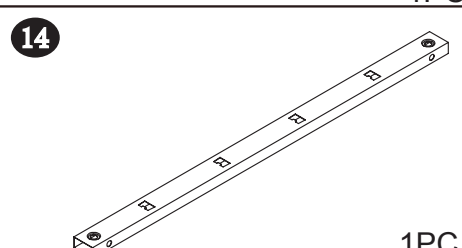
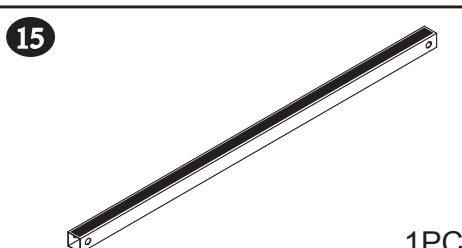
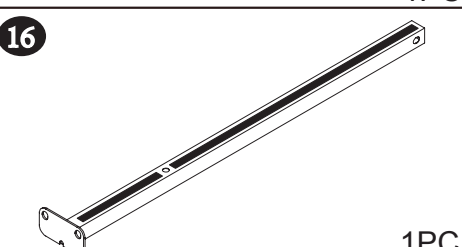
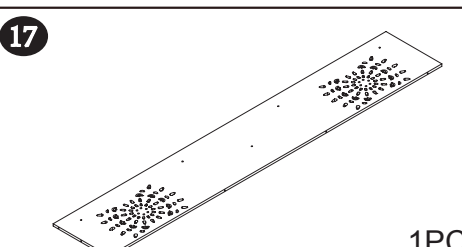
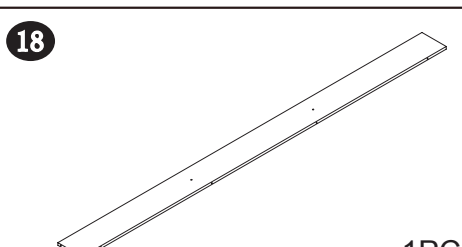
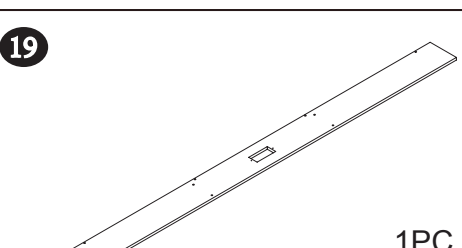
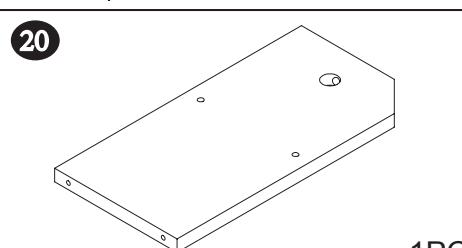
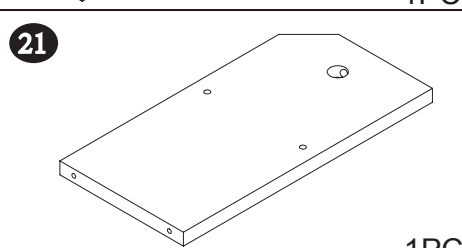
- If the package is damaged, please contact us as soon as possible and attach the damaged photo.
- Return Policy: This item can be returned within 30 days without any reason. If you return this item for personal reasons, you need to bear the freight of returns and order processing fee (0-50% restocking fee based on the invoice price). If the product has quality issues (not caused by humans), we will bear the freight.
- If you need to return the goods, please keep the original box. Please make sure to use the return label provided by us and do not return it without permission. Please do not share a label with multiple boxes.
- If you return the product after 30 days from receiving it, we are afraid that your return application won't be accepted. We appreciate your understanding.
- The warranty product is one year. If this item is damaged within the warranty period we will arrange you the replacement parts free of charge. If the item is damaged for some personal reasons, we could also replace it for you, however you need to bear the transport fees.
- The carved panel at the headboard must be kept dry, and avoid water exposure and do not wipe with a damp towel .**

ASSEMBLY INSTRUCTIONS



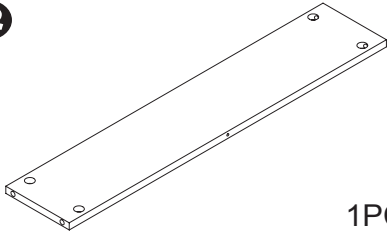
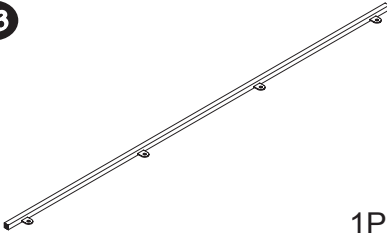
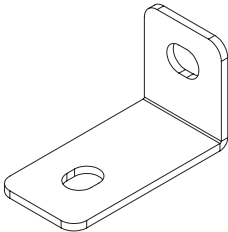
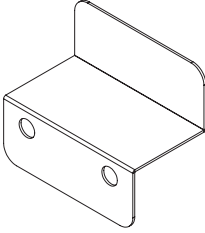
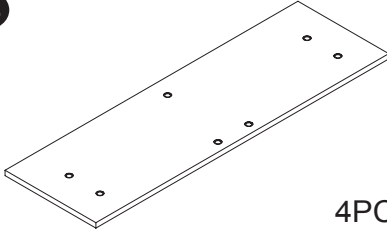
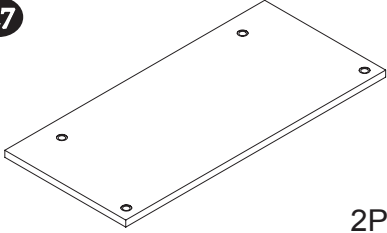
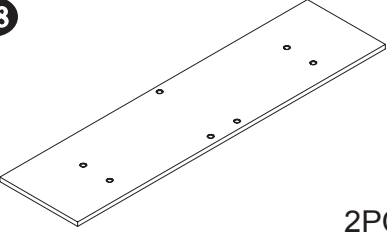
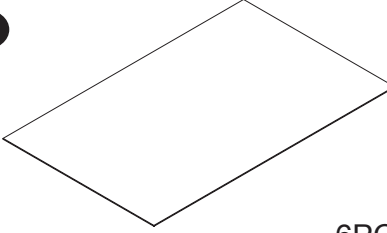
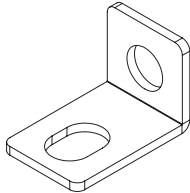
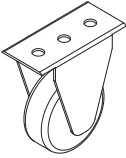
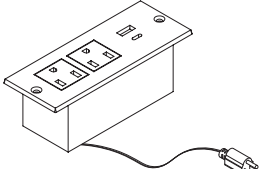

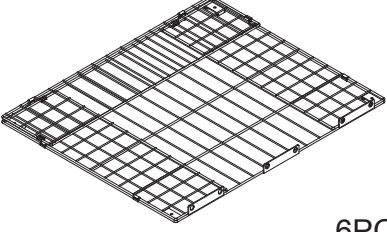
ASSEMBLY INSTRUCTIONS

PARTS LIST

 <p>1</p> <p>2PCS</p>	 <p>2</p> <p>2PCS</p>	 <p>3</p> <p>4PCS</p>
 <p>4</p> <p>2PCS</p>	 <p>5</p> <p>10PCS</p>	 <p>6</p> <p>2PCS</p>
 <p>7</p> <p>1PC</p>	 <p>8</p> <p>2PCS</p>	 <p>9</p> <p>1PC</p>
 <p>10</p> <p>1PC</p>	 <p>11</p> <p>1PC</p>	 <p>12</p> <p>1PC</p>
 <p>13</p> <p>1PC</p>	 <p>14</p> <p>1PC</p>	 <p>15</p> <p>1PC</p>
 <p>16</p> <p>1PC</p>	 <p>17</p> <p>1PC</p>	 <p>18</p> <p>1PC</p>
 <p>19</p> <p>1PC</p>	 <p>20</p> <p>1PC</p>	 <p>21</p> <p>1PC</p>

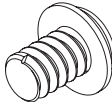
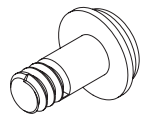
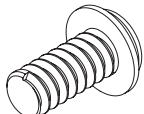
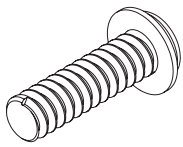
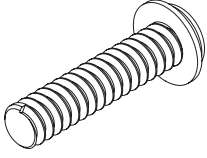
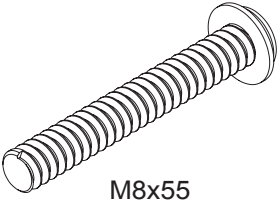
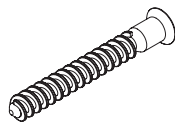

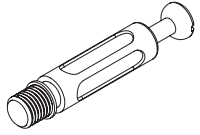
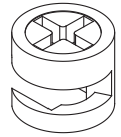
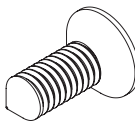
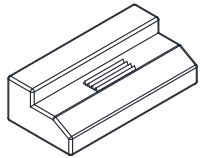
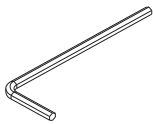
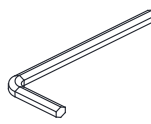
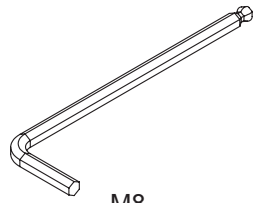
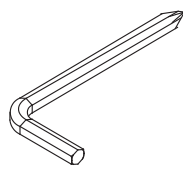
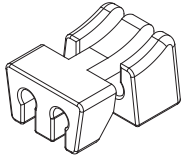
ASSEMBLY INSTRUCTIONS

PARTS LIST

 <p>22</p> <p>1PC</p>	 <p>23</p> <p>1PC</p>	 <p>24</p> <p>4PCS</p>
 <p>25</p> <p>1PC</p>	 <p>26</p> <p>4PCS</p>	 <p>27</p> <p>2PCS</p>
 <p>28</p> <p>2PCS</p>	 <p>29</p> <p>6PCS</p>	 <p>30</p> <p>2PCS</p>
 <p>V</p> <p>24PCS</p>	 <p>U</p> <p>1PC</p>	 <p>K</p> <p>1PC</p>
 <p>T3</p> <p>6PCS</p>		

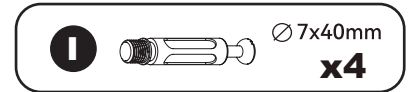
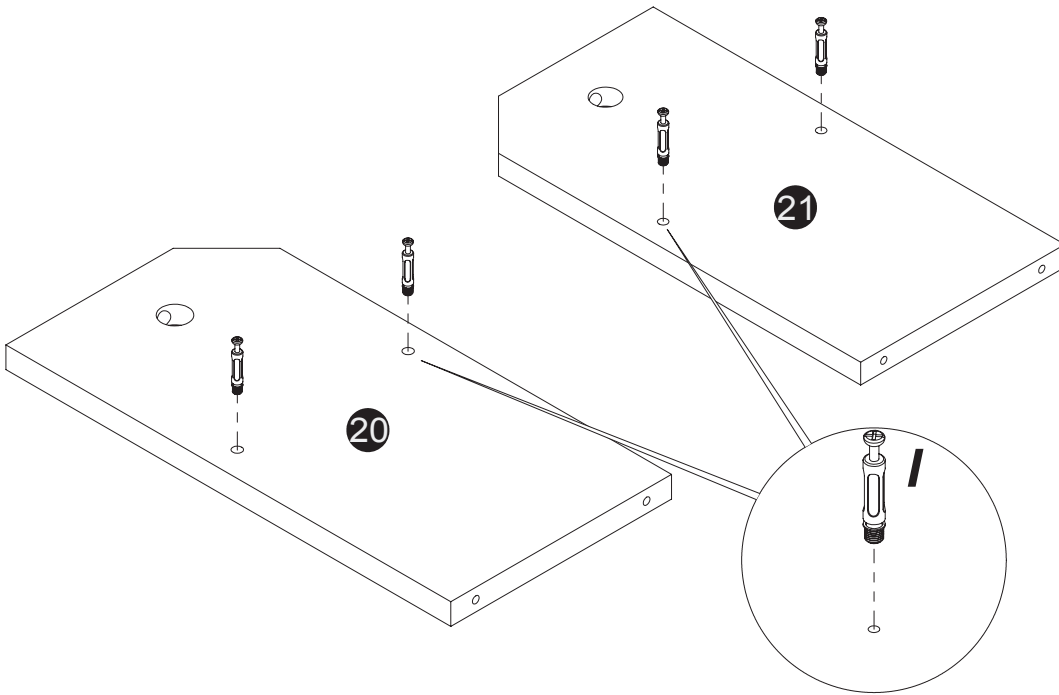
ASSEMBLY INSTRUCTIONS

Hardware List

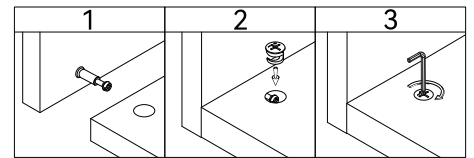
A  M8x12 50PCS	B  M8x14 Colored Zinc 6PCS	C  M8x18 22PCS
D  M8x28 8PCS	E  M8x40 7PCS	F  M8x55 10PCS
G  M5x40 27PCS	H  M4x10 24PCS	I  φ7x40 6PCS
J  φ15x9.5 6PCS	L  ST4.2x12 2PCS	M  20PCS
N  M4 1PC	O  M5 1PC	P  M8 1PC
Q  M8 1PC	W  12PCS	

ASSEMBLY INSTRUCTIONS

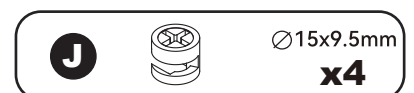
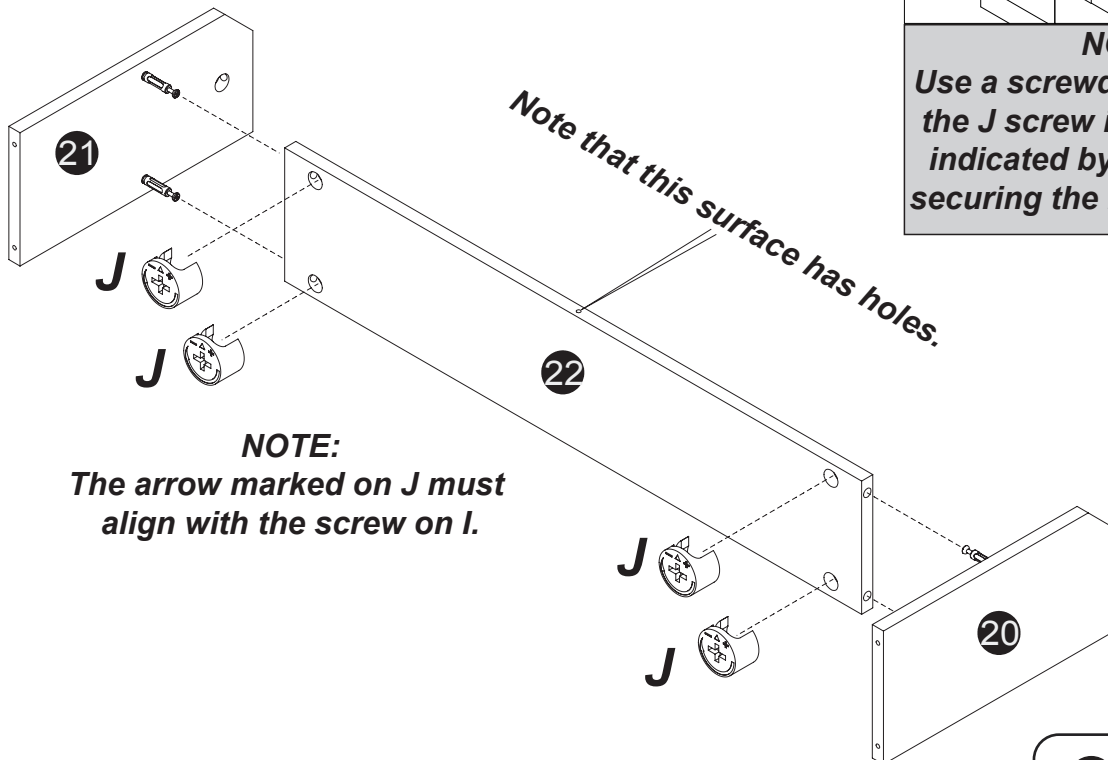
1



2

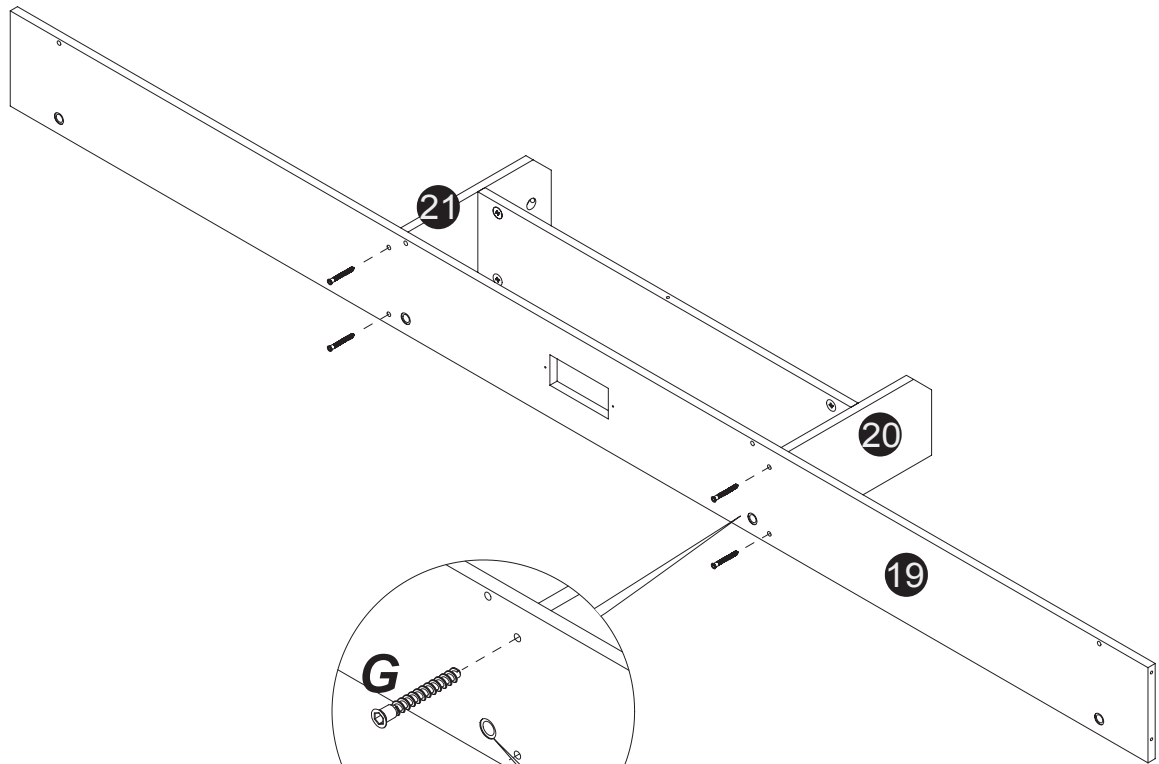


NOTE:
Use a screwdriver to tighten the J screw in the direction indicated by the “+” mark, securing the I screw in place.




ASSEMBLY INSTRUCTIONS

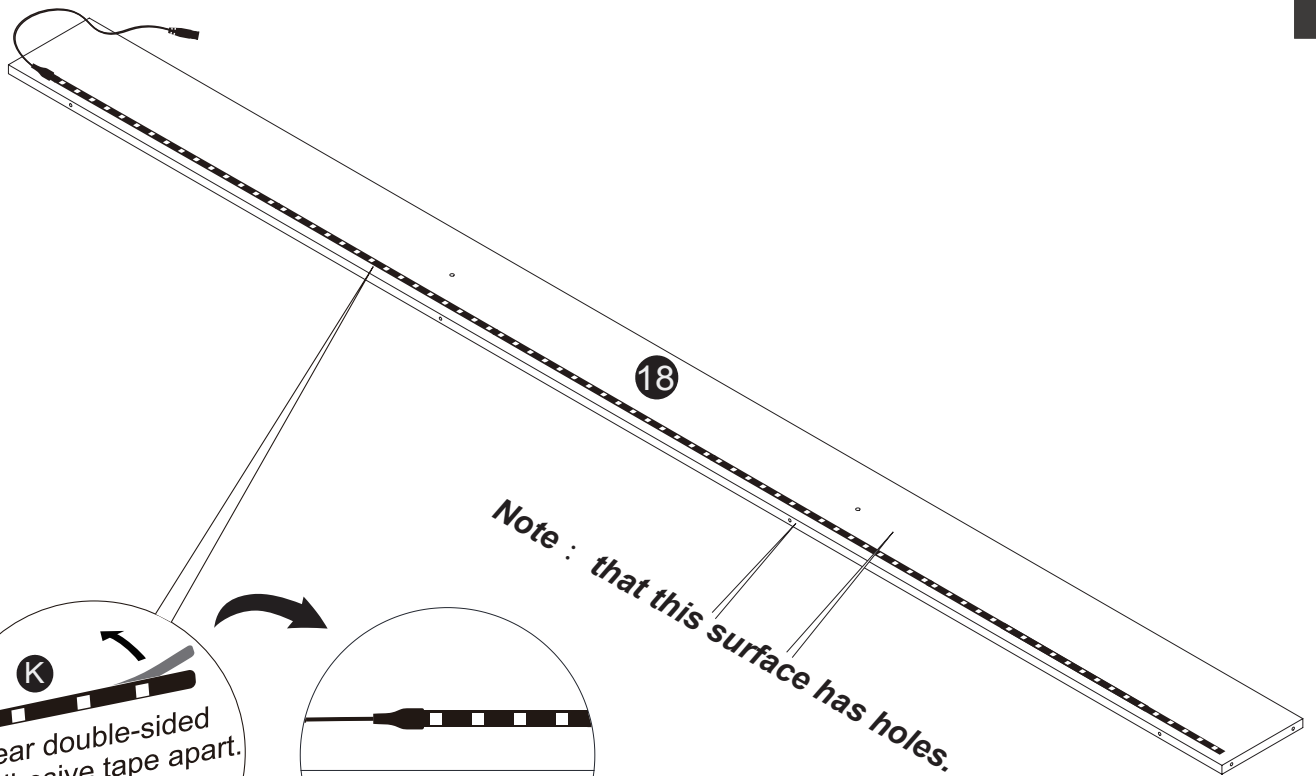
3




Note:
When installing,
the nut should face
downwards.

G  $\varnothing 5 \times 40 \text{mm}$
X4

4



Note : that this surface has holes.

K 
Tear double-sided
adhesive tape apart.

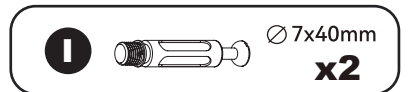
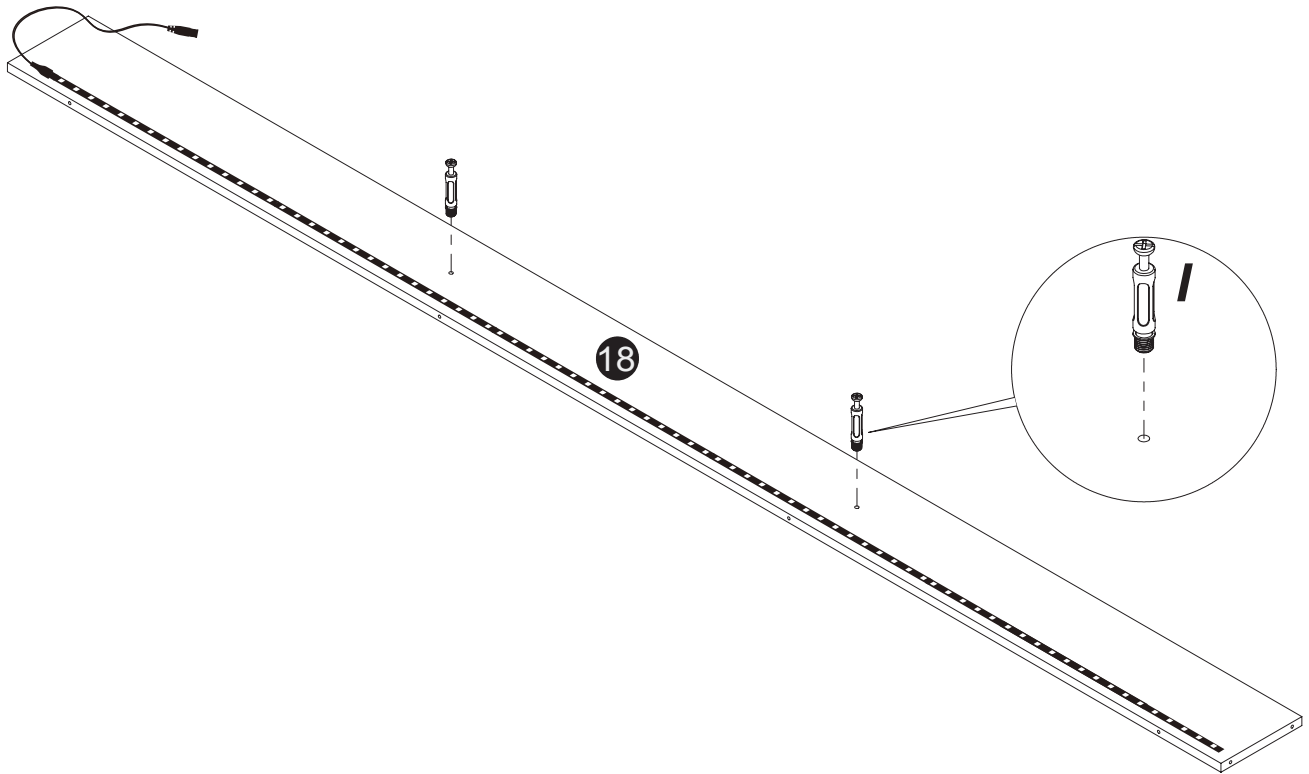
K



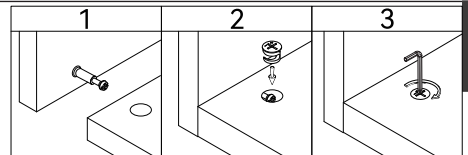
x1

ASSEMBLY INSTRUCTIONS

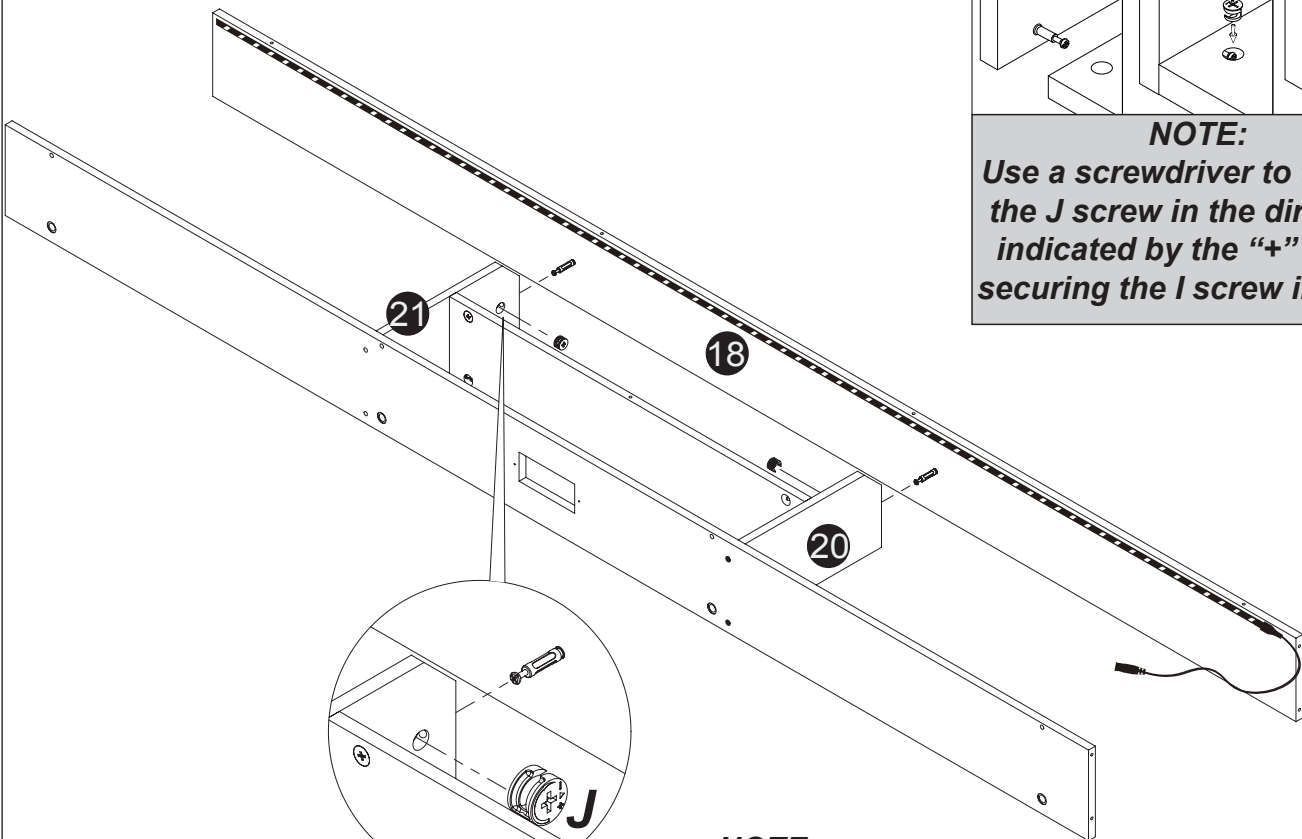
5



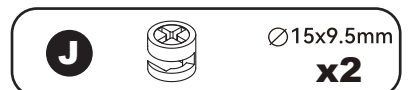
6



NOTE:
Use a screwdriver to tighten the J screw in the direction indicated by the “+” mark, securing the I screw in place.

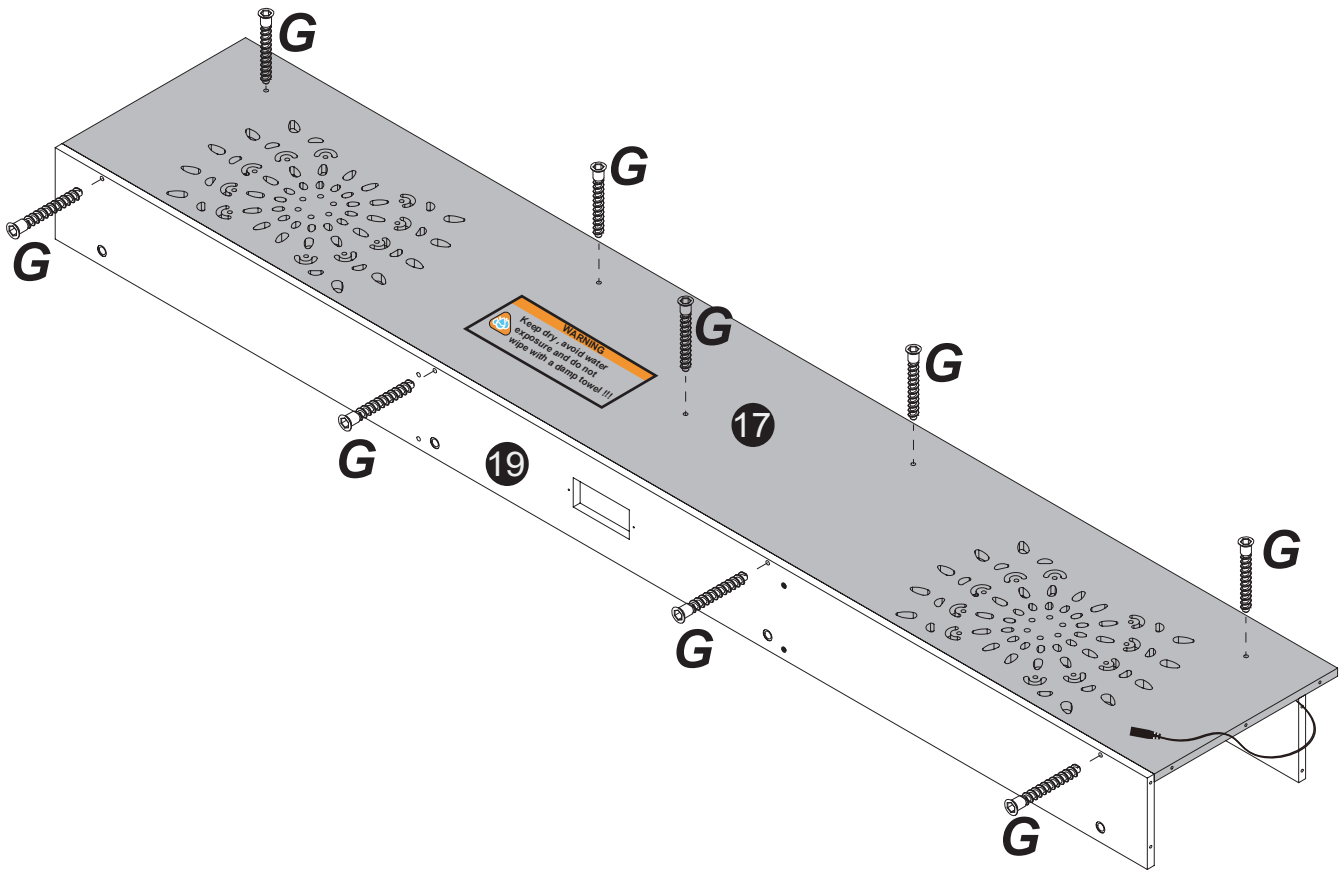



NOTE:
The arrow marked on J must align with the screw on I.



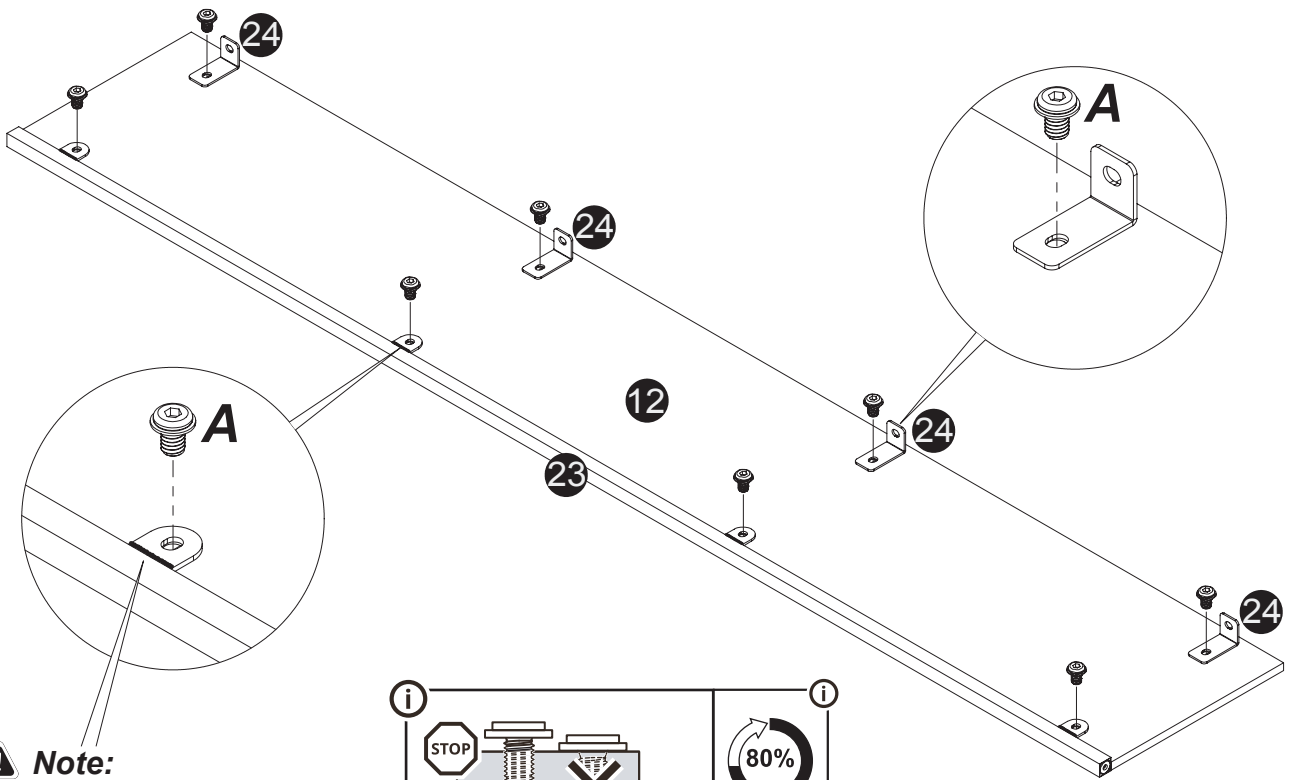
ASSEMBLY INSTRUCTIONS

7


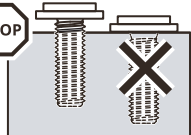



G  Ø5x40mm **x9**



8




⚠ Note:
Please note that
the weld ends are
facing up !!!

i    **X**

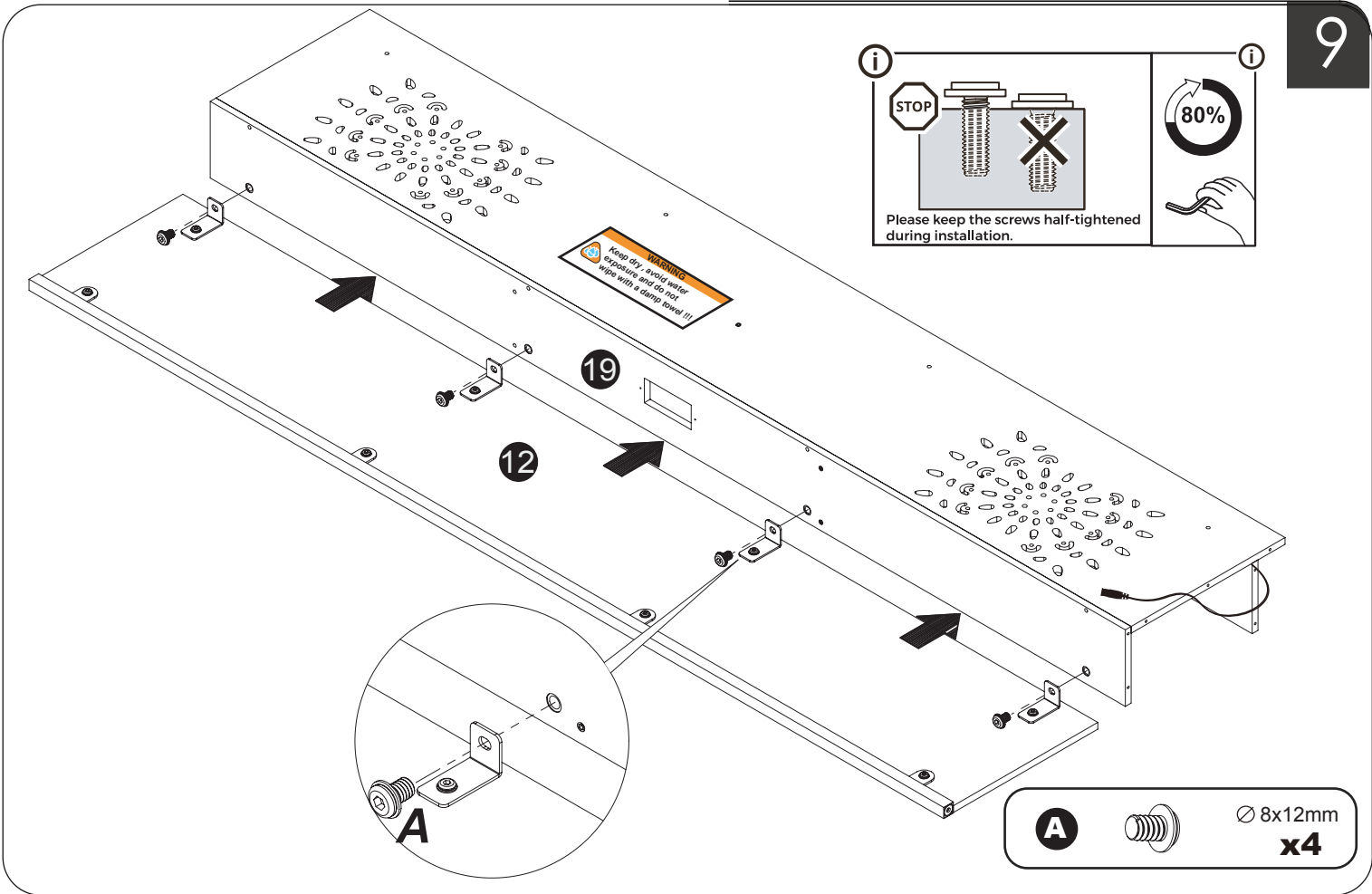
Please keep the screws half-tightened during installation.

i  

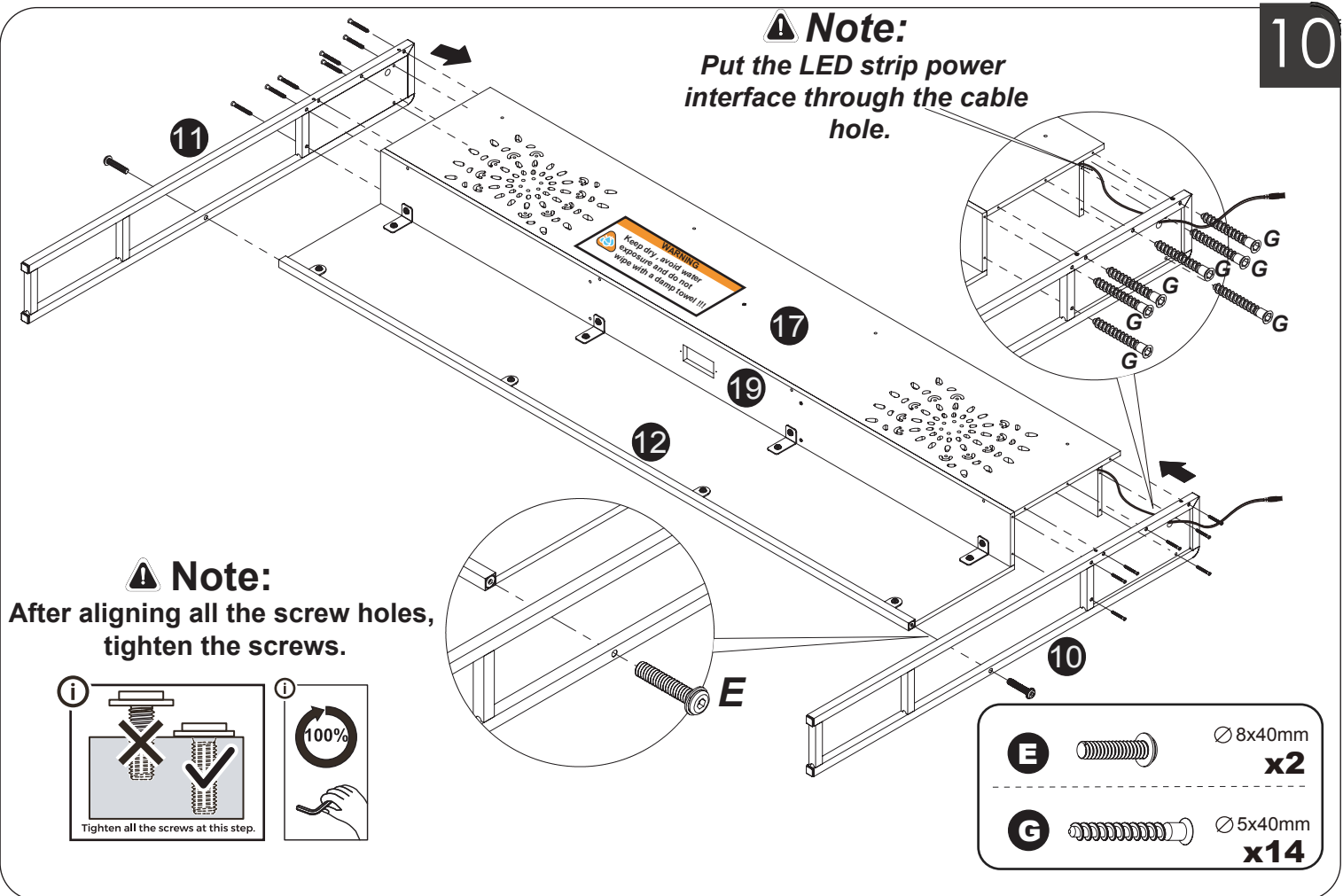
A  Ø8x12mm **x8**

ASSEMBLY INSTRUCTIONS

9

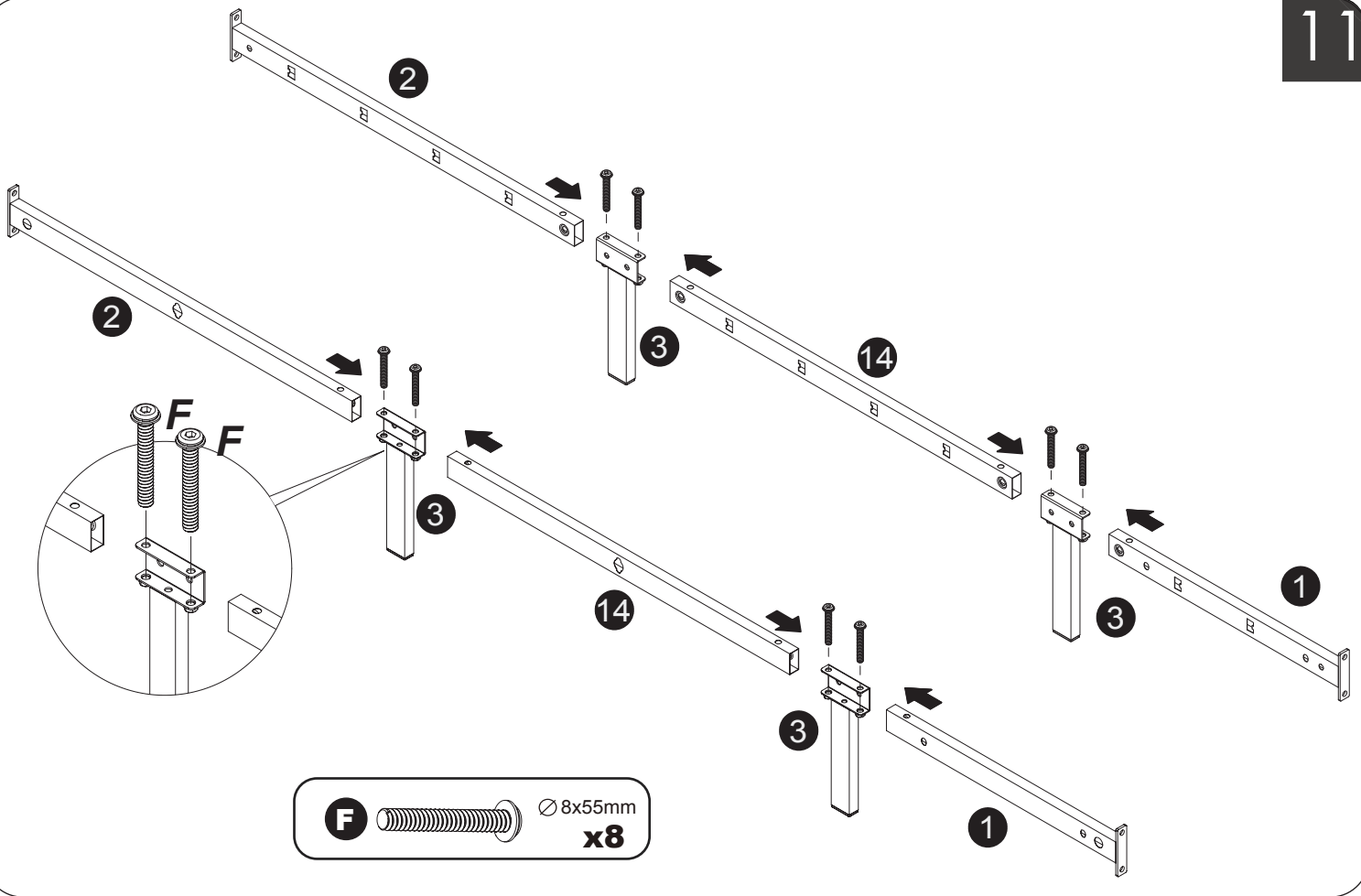


10

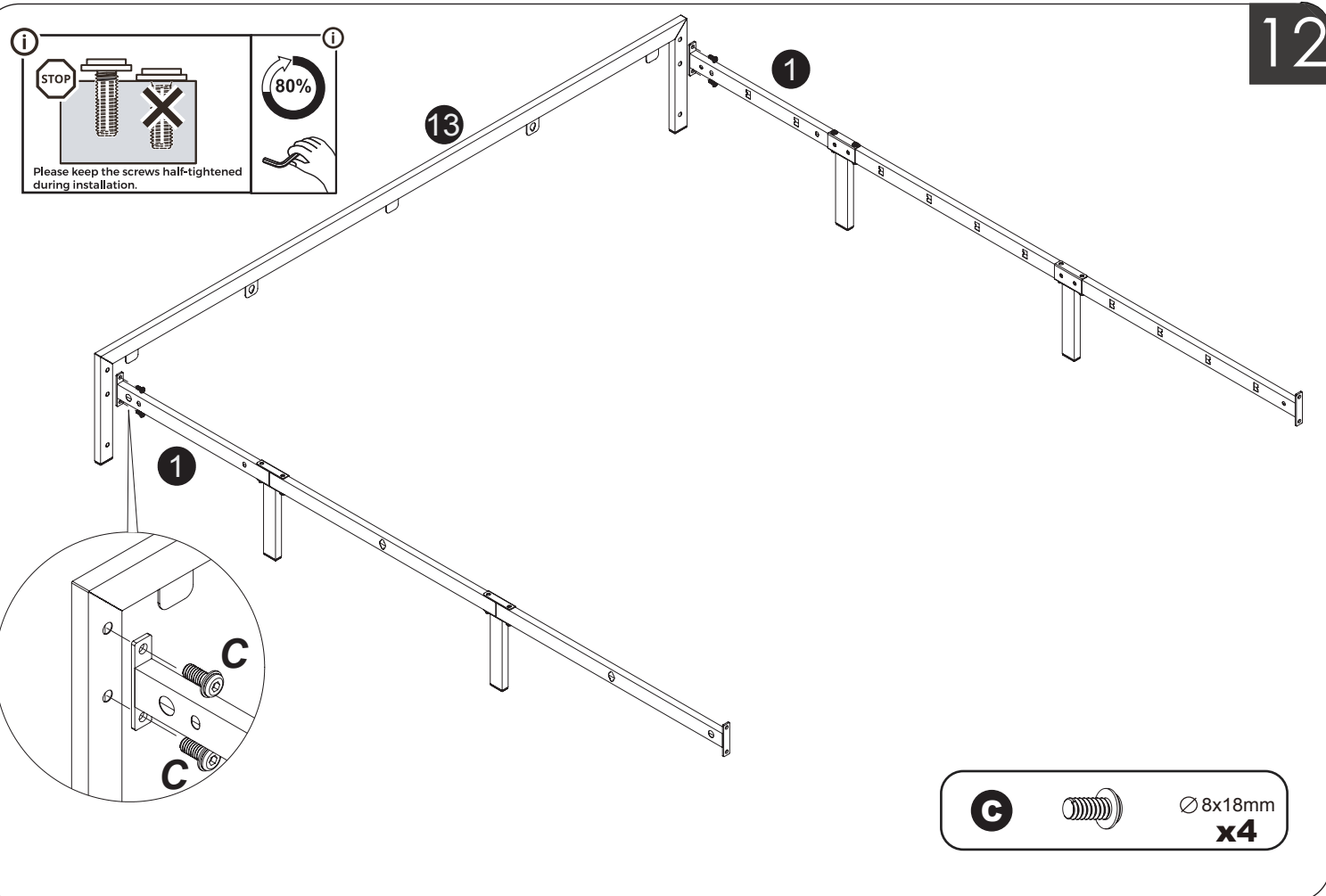


ASSEMBLY INSTRUCTIONS

11

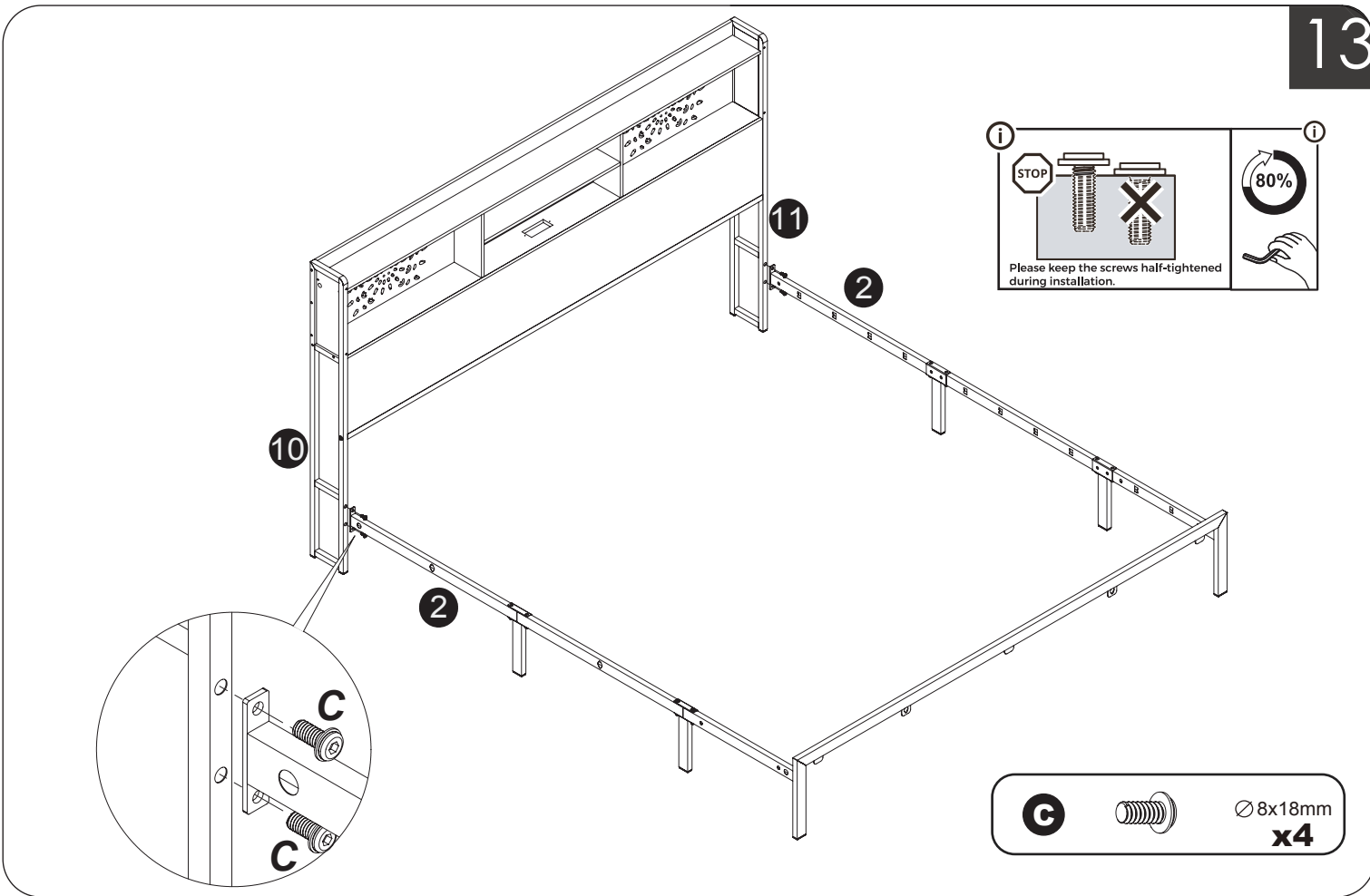


12

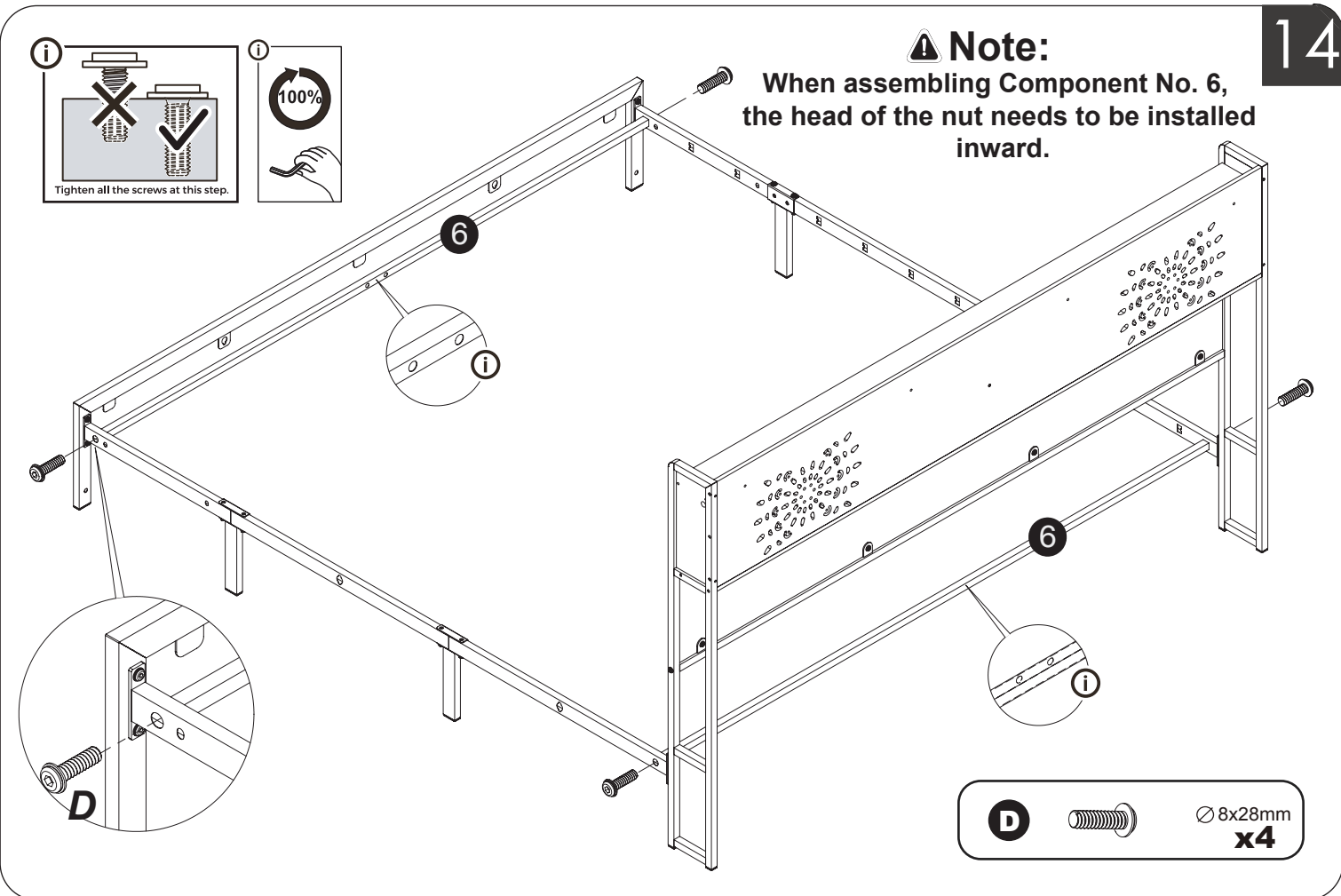


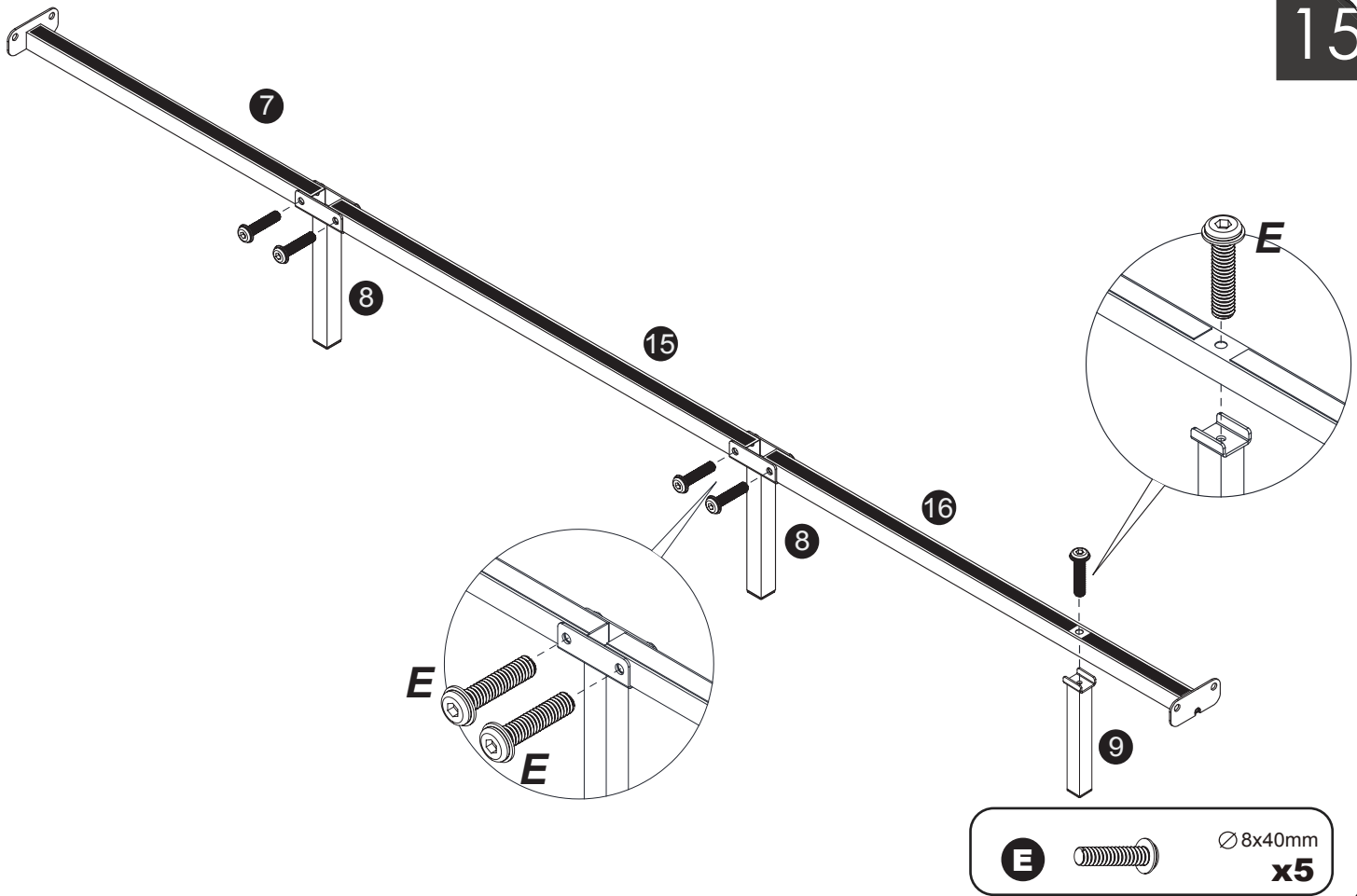
ASSEMBLY INSTRUCTIONS

13

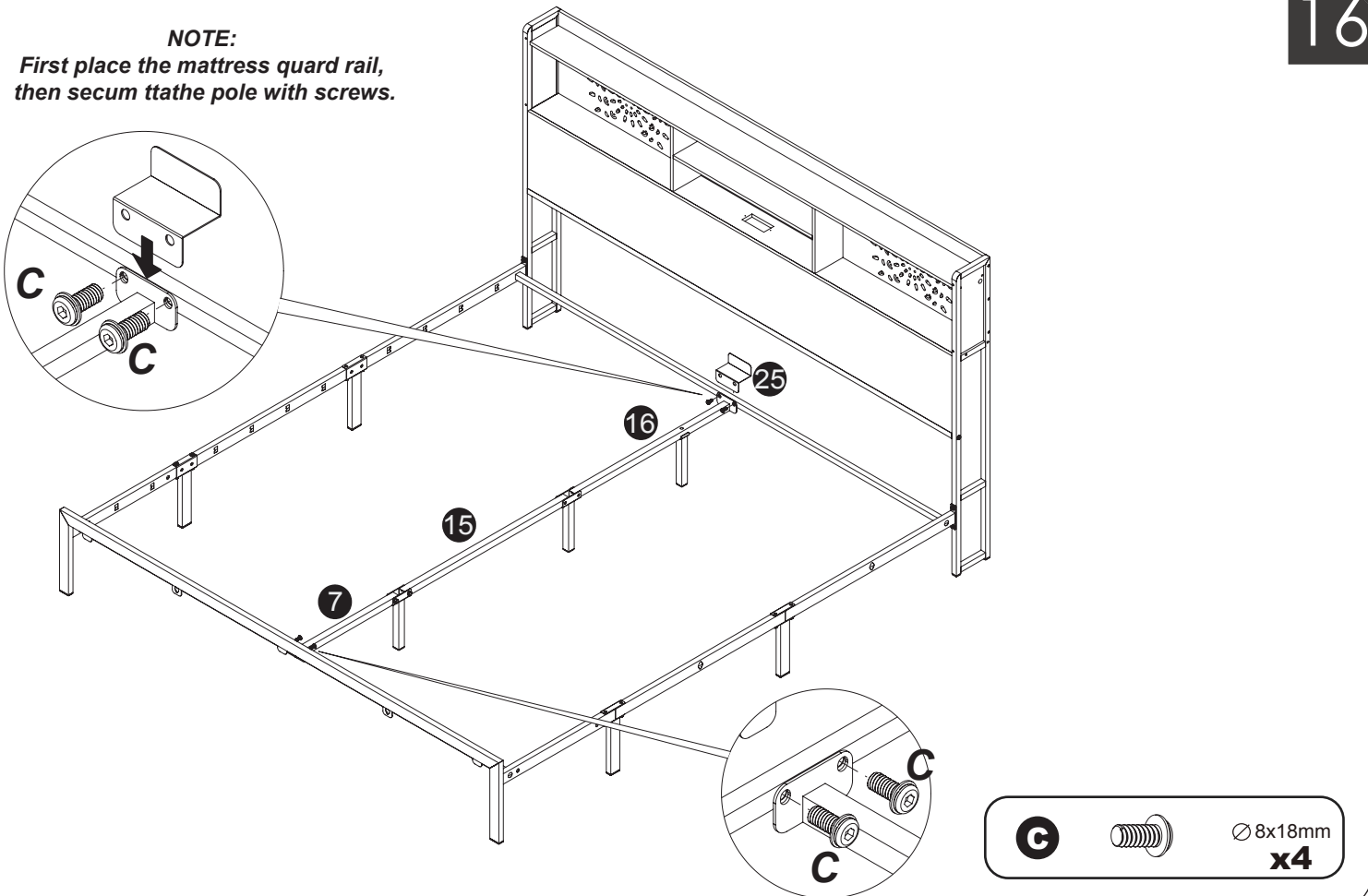


14



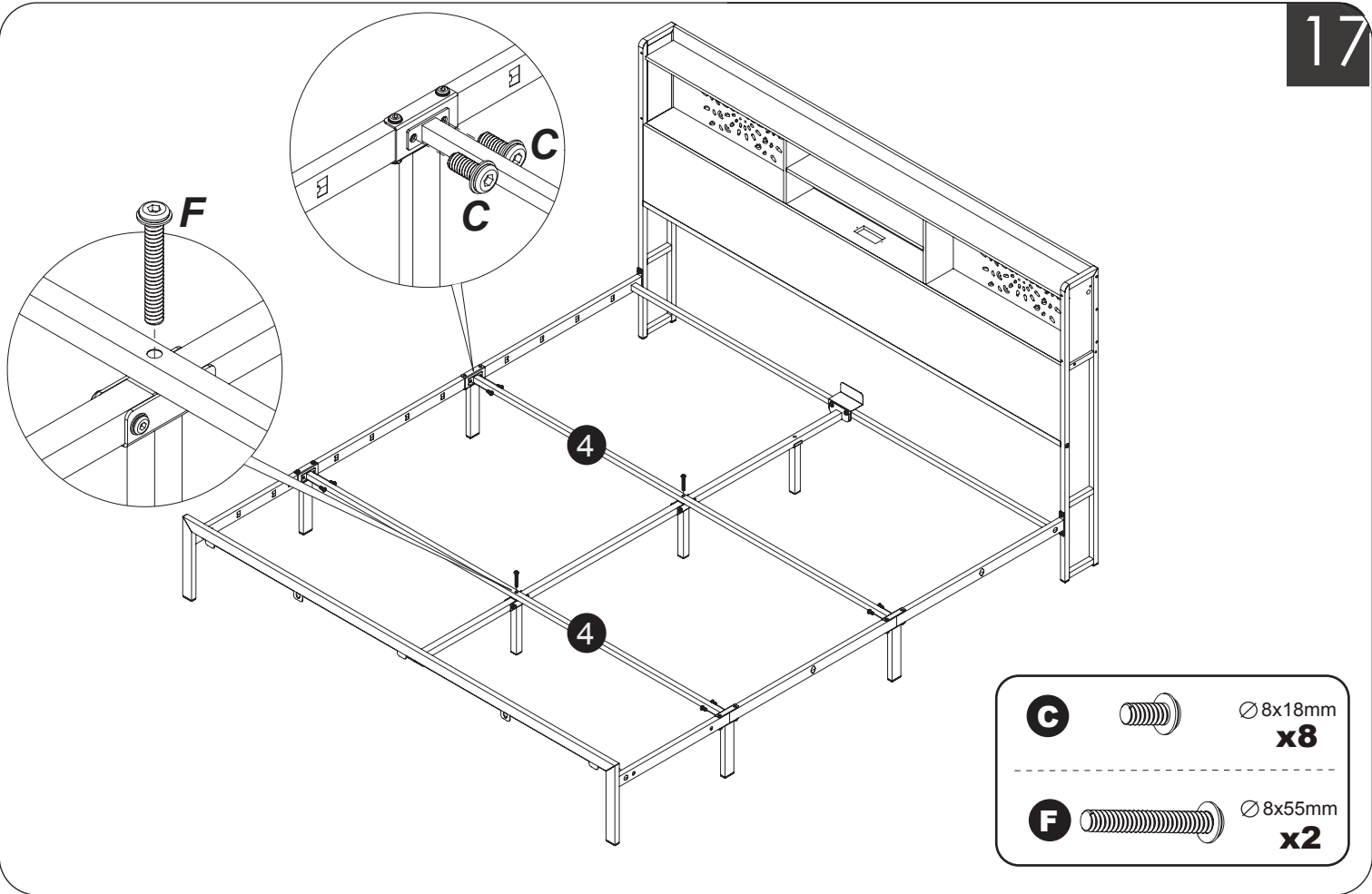


NOTE:
First place the mattress guard rail,
then secure the pole with screws.

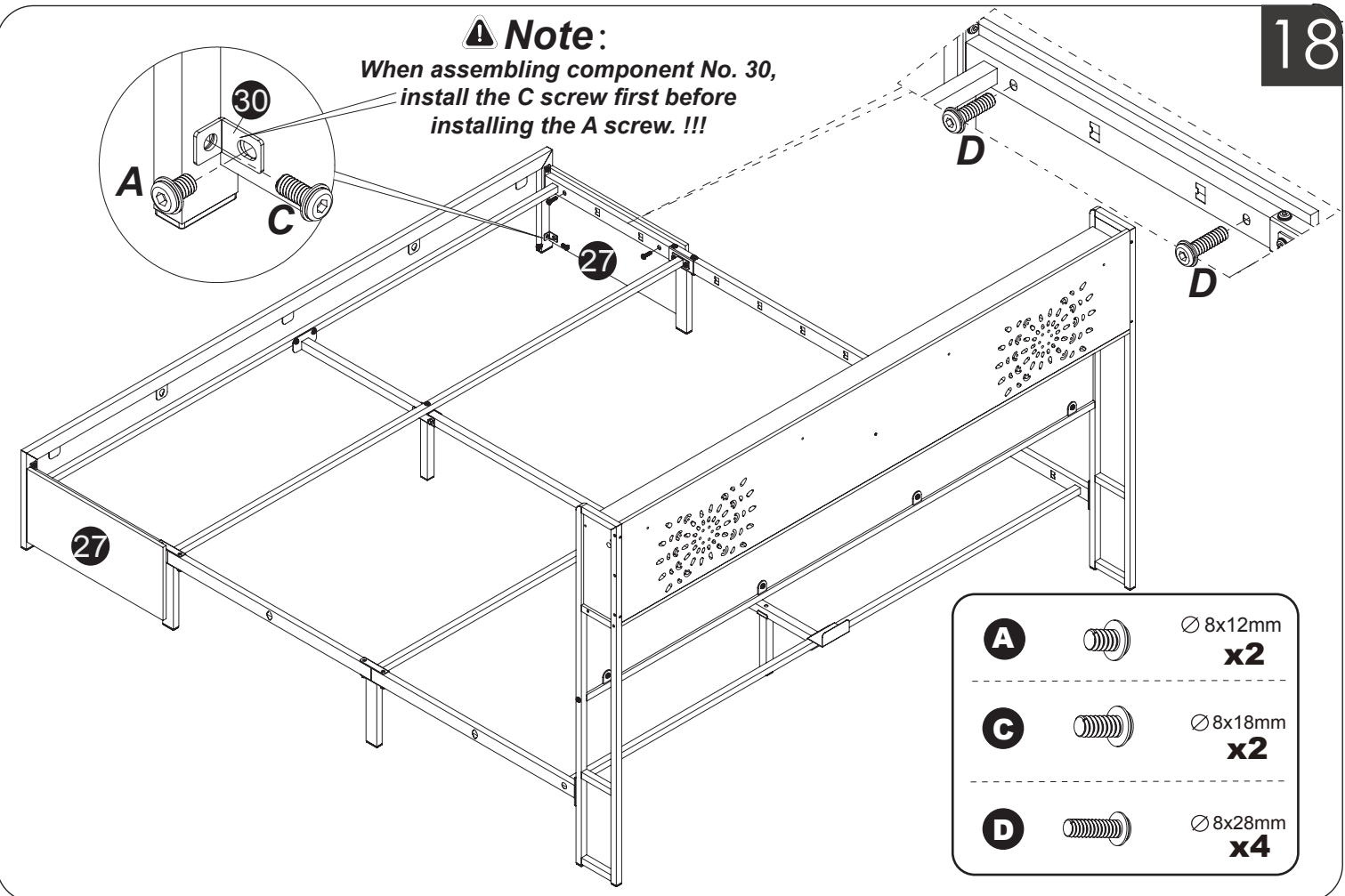


ASSEMBLY INSTRUCTIONS

17



18



Step b

Step a

5

insert

5

5

M

5x10

Step a

Step b

Note:
Make sure to push to the bottom, you can use a hard object to hit it smoothly.

L $\varnothing 4.2 \times 12 \text{mm}$ **x2**

M **x20**

X6

T3

T3

T3

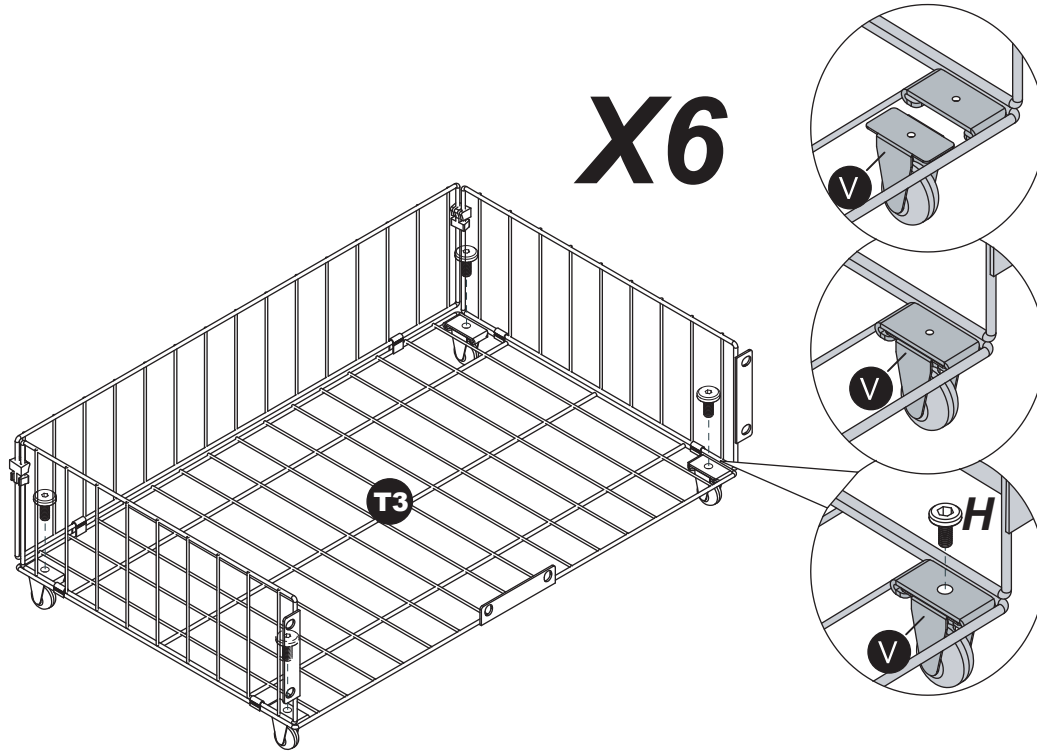
Note:
First, insert the metal rods on both sides of the drawer into the slots on either side of the latch. Then press the latch upward to fully engage the metal rods.

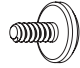
W

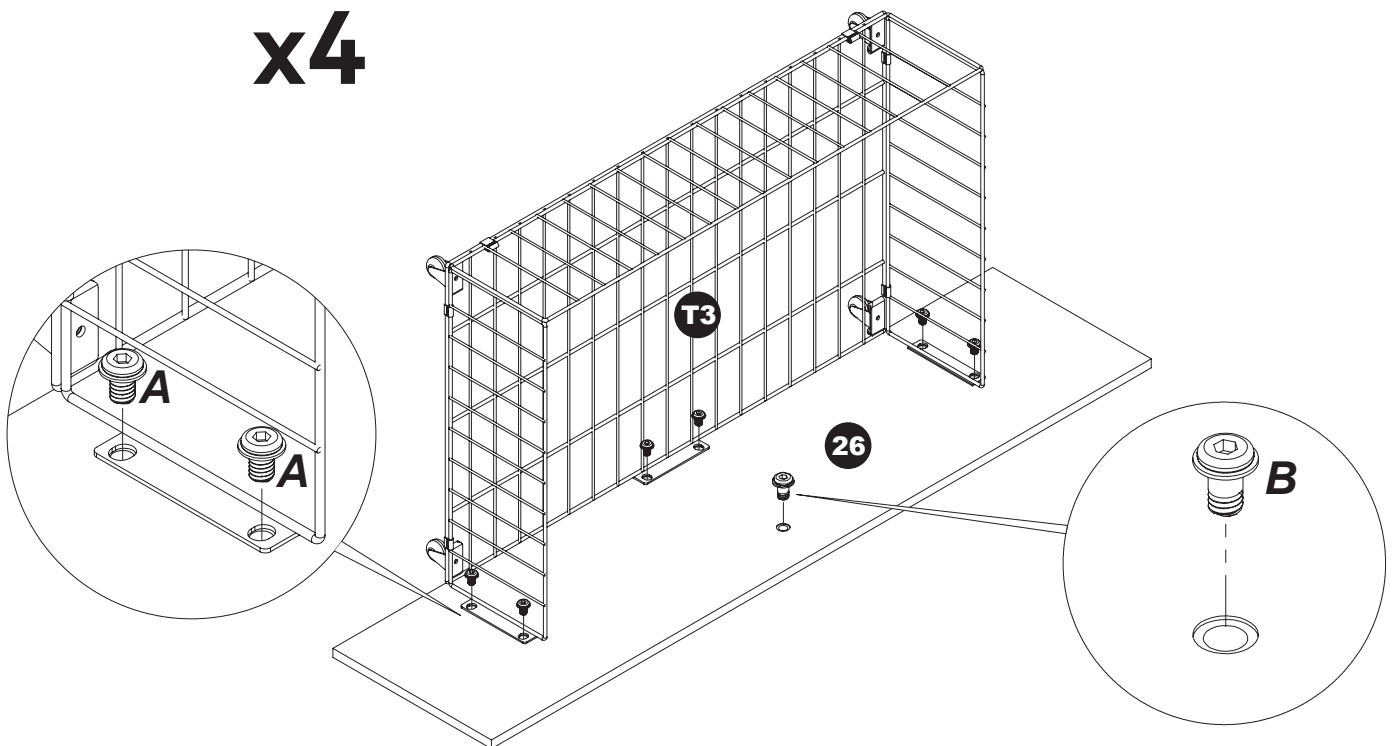
W

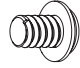
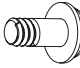
W

W **X12**

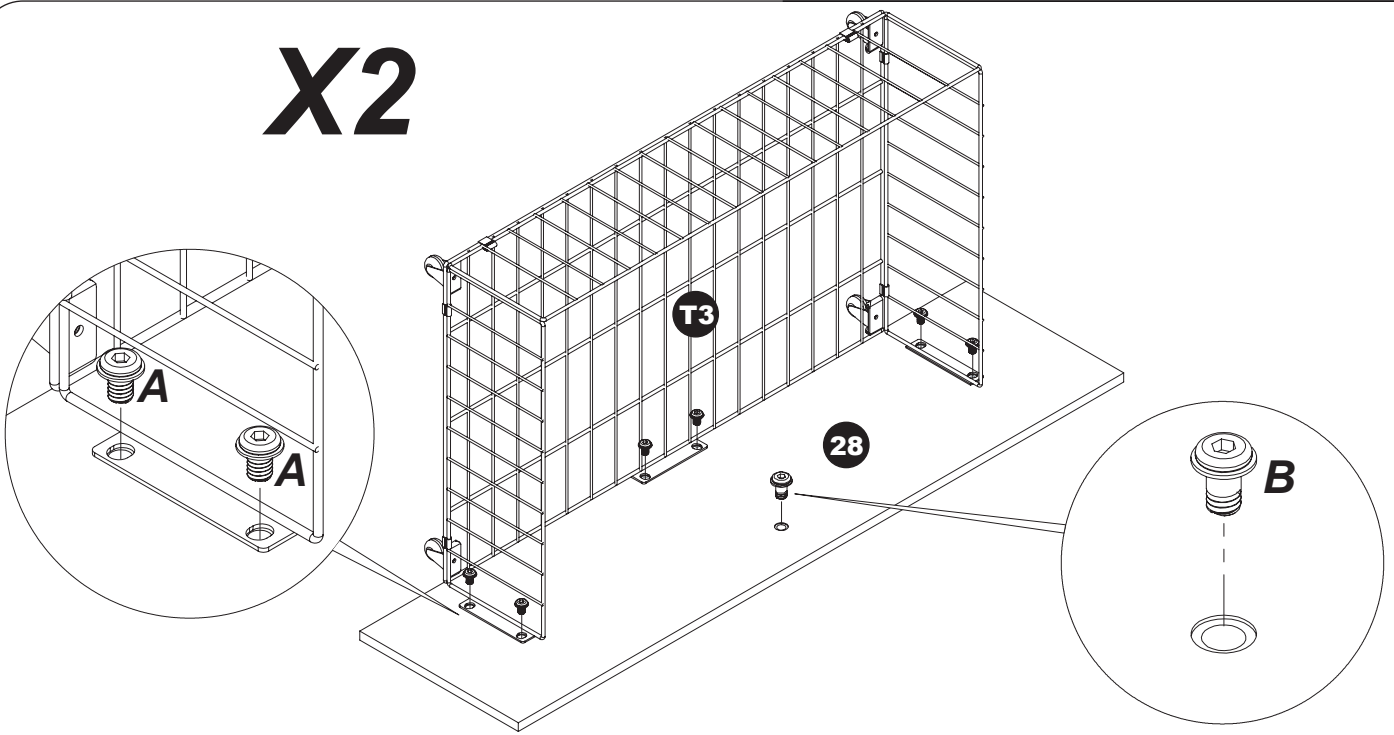


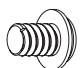

H		∅4x10mm X24
----------	---	-----------------------

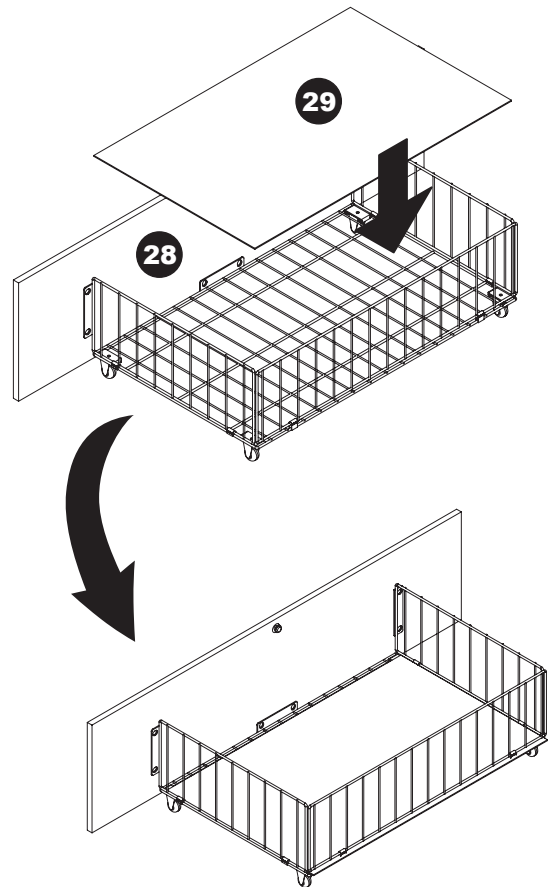
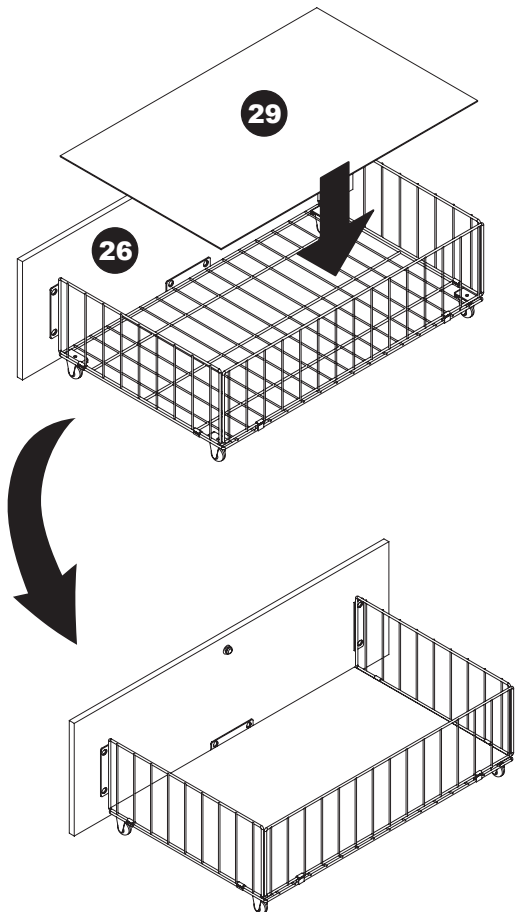


A		∅8x12mm x24
B		∅8x14mm x4 Colored Zinc

X2

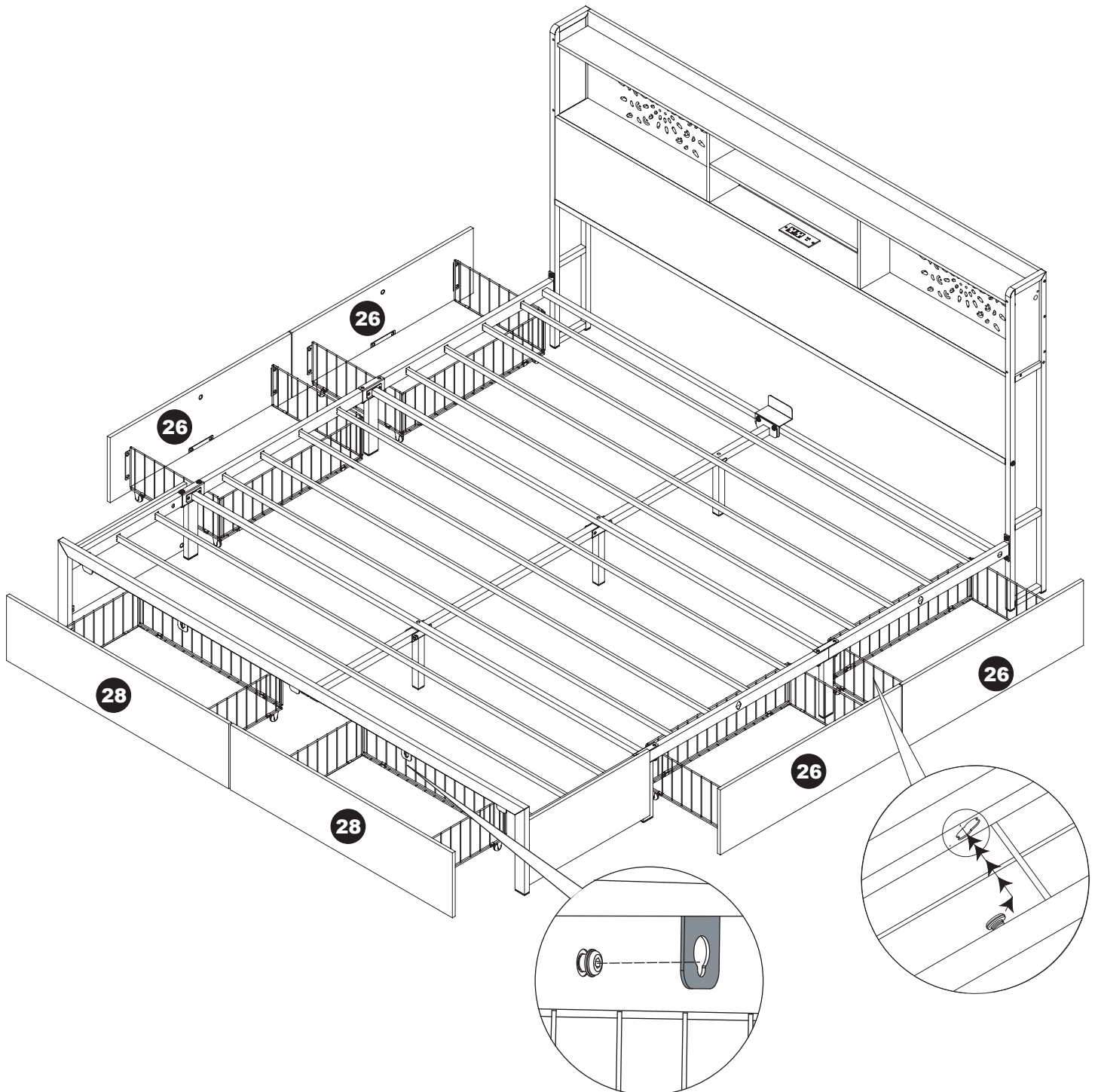


- | | | |
|----------|--|--------------------------------------|
| A |  | ∅8x12mm
x12 |
| B |  | ∅8x14mm
Colored Zinc
x2 |

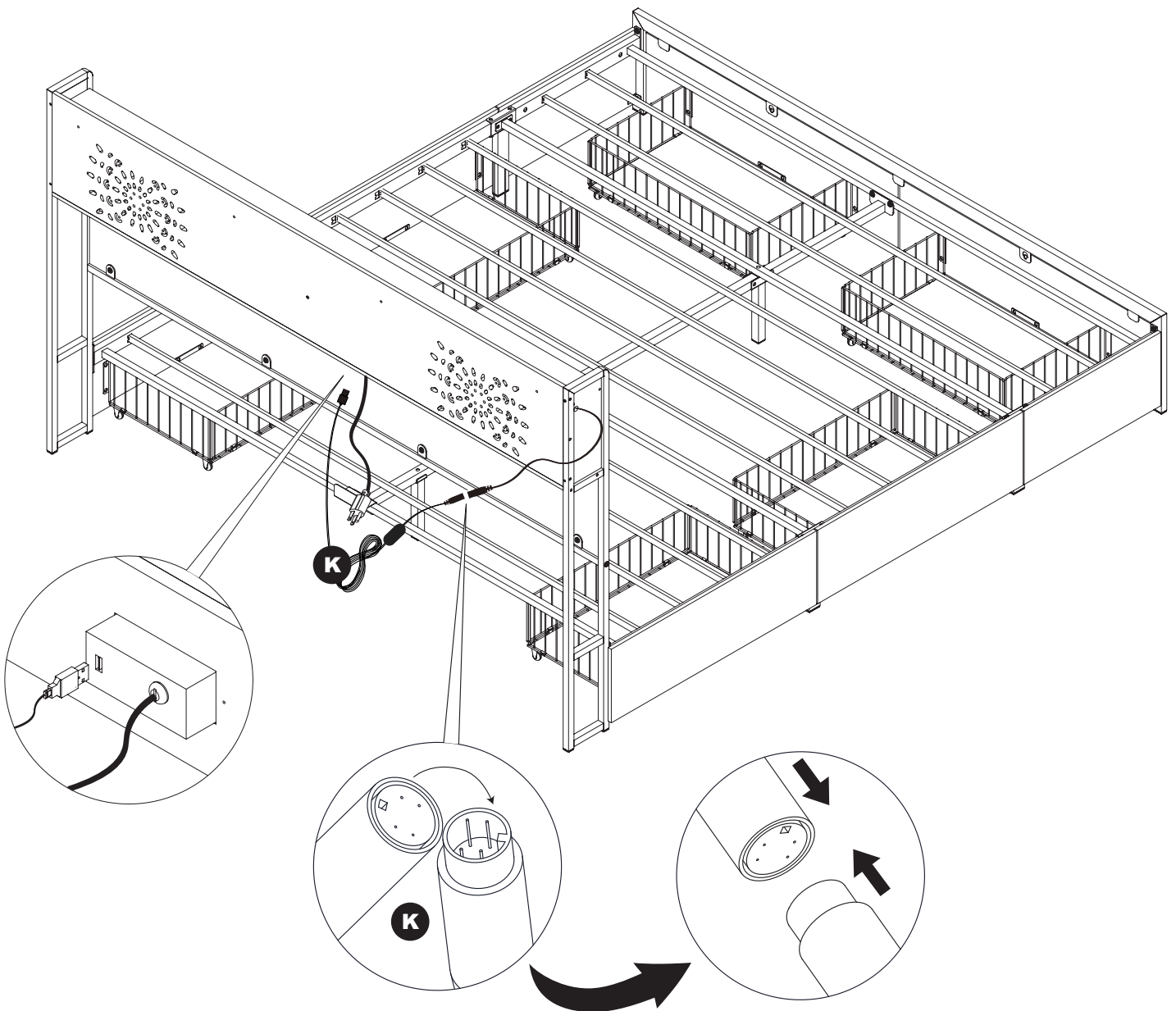


**NOTE:**

- Gently lift the drawer, align the screw with the gourd-shaped hole, and then snap it in.
- Drawer No. 26 is on the sides of the bed, and Drawer No. 28 is at the end of the bed.

**Installing the Bed Drawer:**

Carefully lift the drawer from the bottom with your hand to provide proper support. Align the hooks on the drawer with the notches on the bed frame. Once aligned, gently push the hooks into the notches on the bed side until they are securely locked in place. Ensure the drawer is stable and properly connected before releasing it.

**Note :**

Please ensure that both the circular connector and the USB connector are connected .