

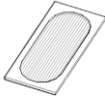










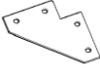




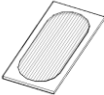
Assembly Instructions

Please read this before you proceed

A		Backplane1	1pc
B		Backplane2	1pc
C		Left Door	1pc
D		Side panel	2pcs
E		Top	1pc
F		Adjustable shelf	2pcs
G		Bottom	1pc
H		Foot	2pcs

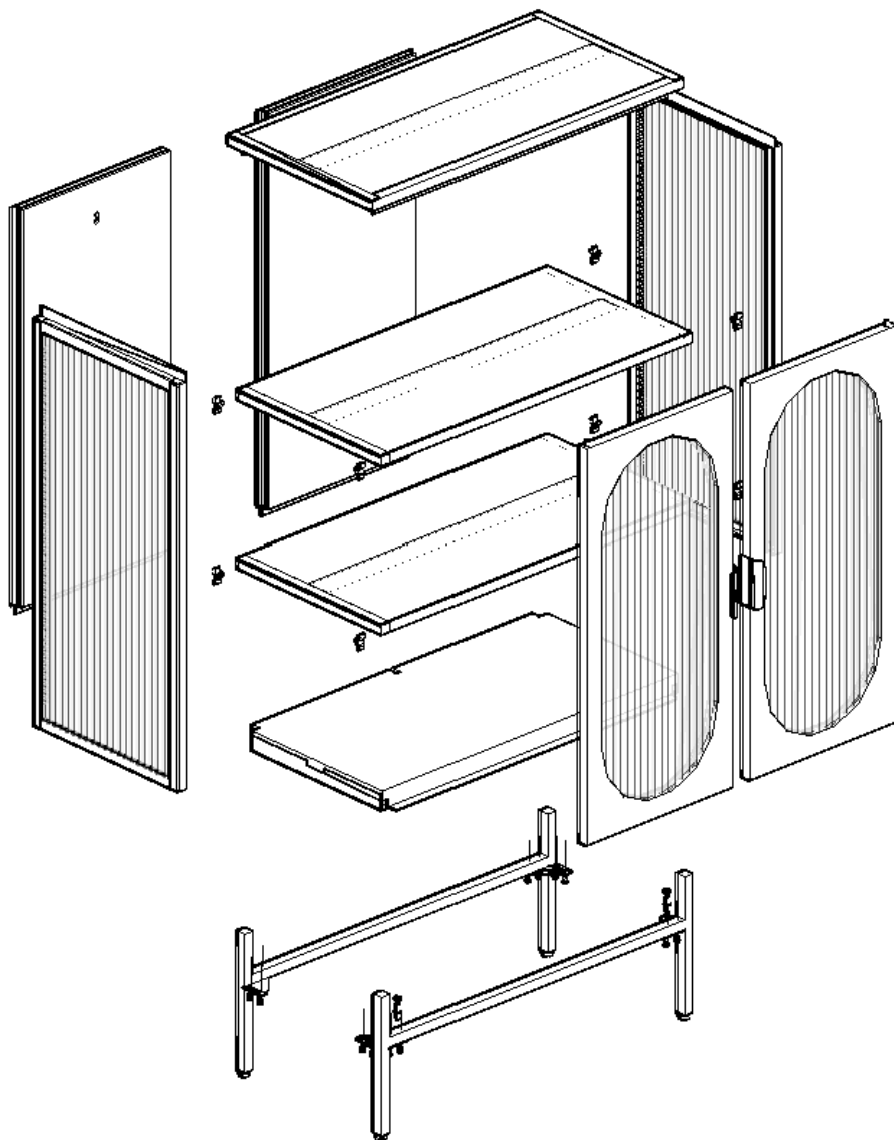
Assembly Instructions

Please read this before you proceed

I		Pin	2pcs
J		Washer	2pcs
K		Handle screw	4pcs
L		Foot fixers	4pcs
M		Expansion screw	2pcs
N		Hanging film	8pcs
O		Self-tapping screw	36pcs
P		Handle	2pcs
Q		Right Door	1pc

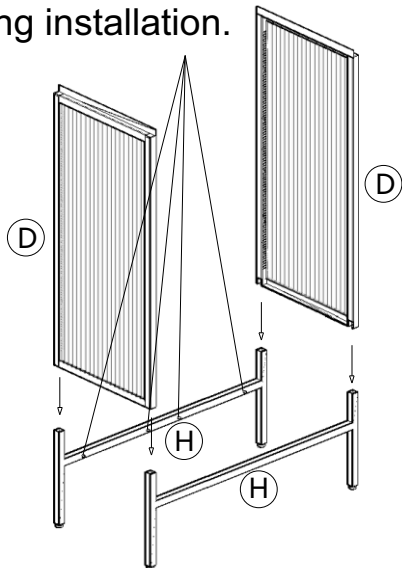
Assembly Instructions

Explosion view



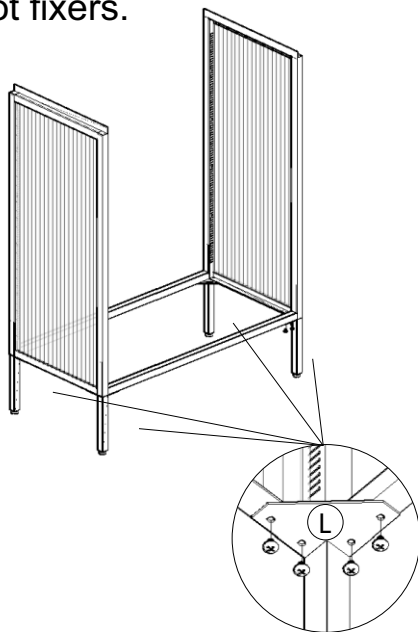
Assembly Instructions

- 1 Make sure that the foot screw holes are placed in the inside during installation.



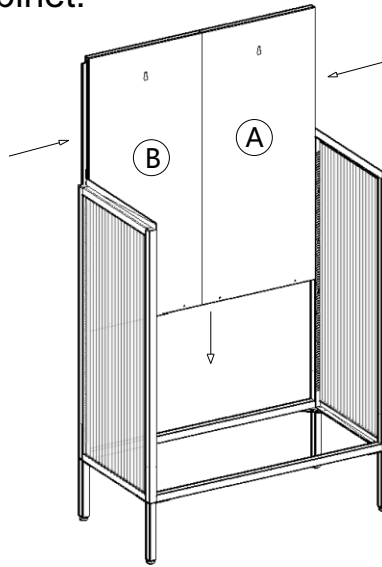
Insert the side panel at the foot.

- 2 Install four foot fixers.

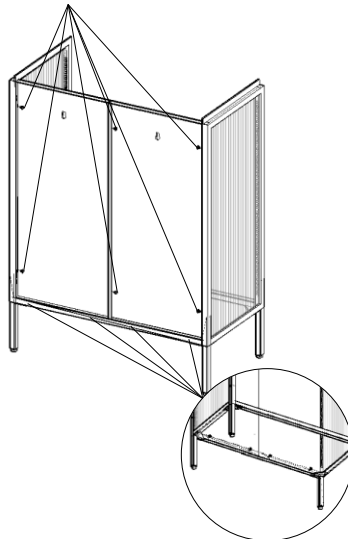


Assembly Instructions

- 3** After combining backplane 1 and backplane 2, install it into the cabinet.



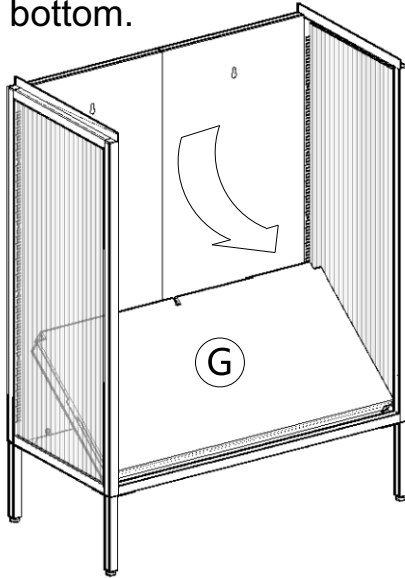
- 4** Connect the six screws on the backplane.



Connect the four screws below.

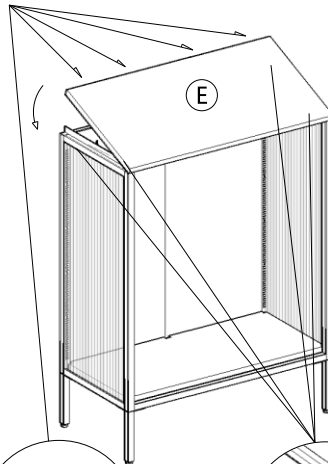
Assembly Instructions

- 5** Install the bottom.

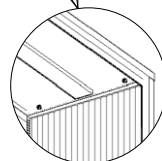
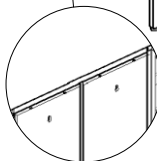


Insert it diagonally and then flatten it.

- 6** Install the top.

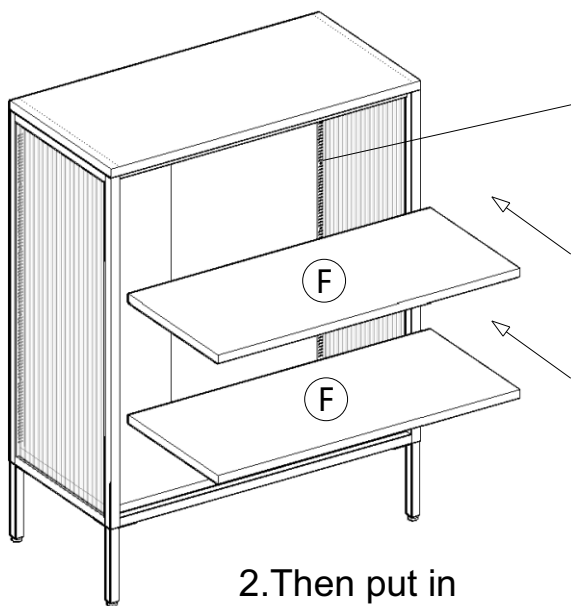


Connect the inner screw of the top and the back screw.

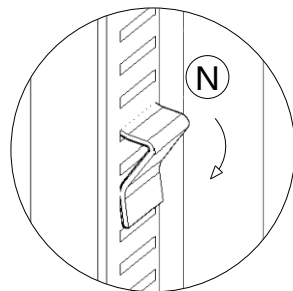
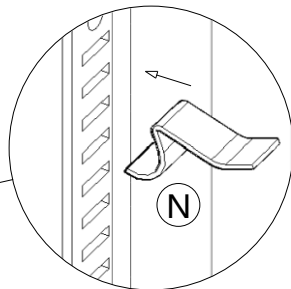


Assembly Instructions

7



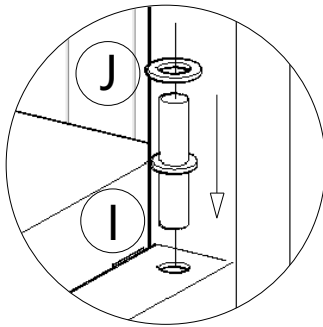
2. Then put in the adjustable shelf.



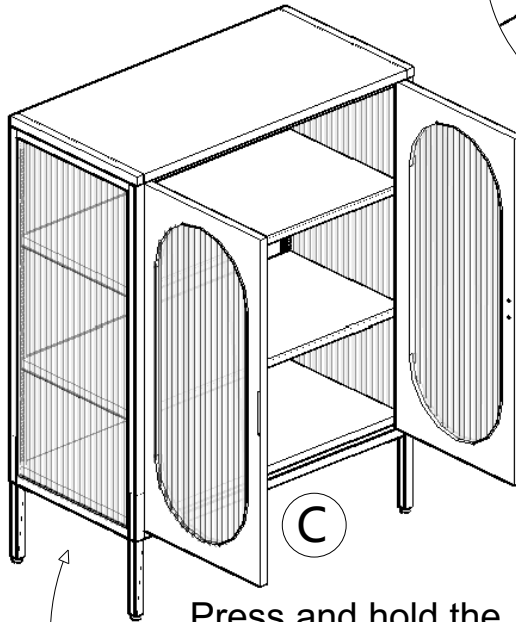
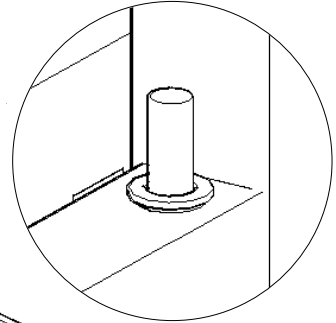
1. Horizontal insertion and vertical placement.

Assembly Instructions

8

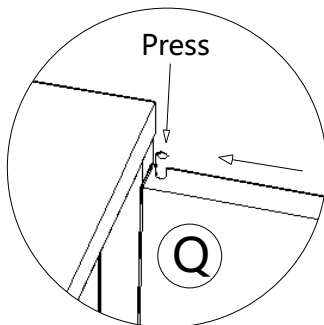


Install the pin under the cabinet

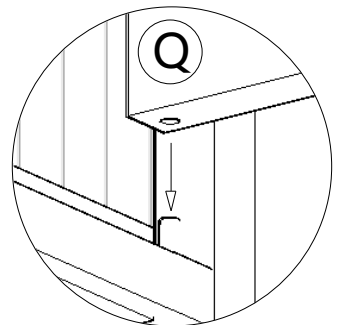


Take the right door as an example.

Q



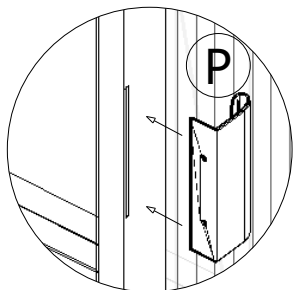
Press and hold the upper spring pin and place the cabinet door to put the spring pin in place to complete the installation.



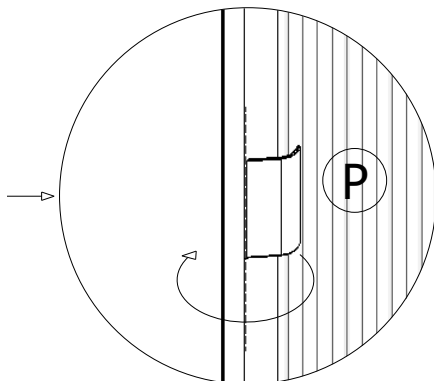
Insert the bottom hole of the cabinet door into the pin

Assembly Instructions

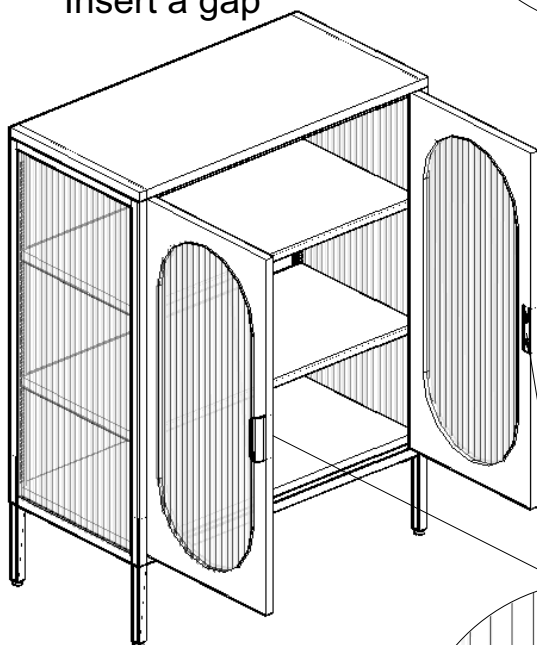
9



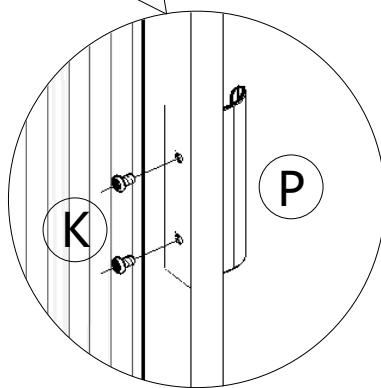
Insert a gap



Rotate 90°

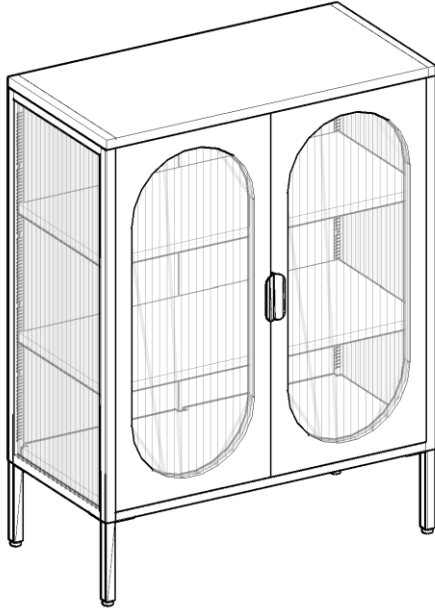


Use the handle screws to install the handle.

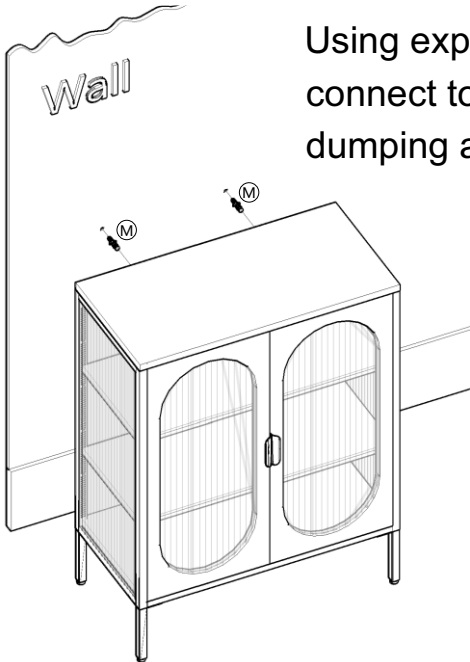


Assembly Instructions

10 Finish



11



Using expansion screws to connect to the wall can prevent dumping and make it stronger.