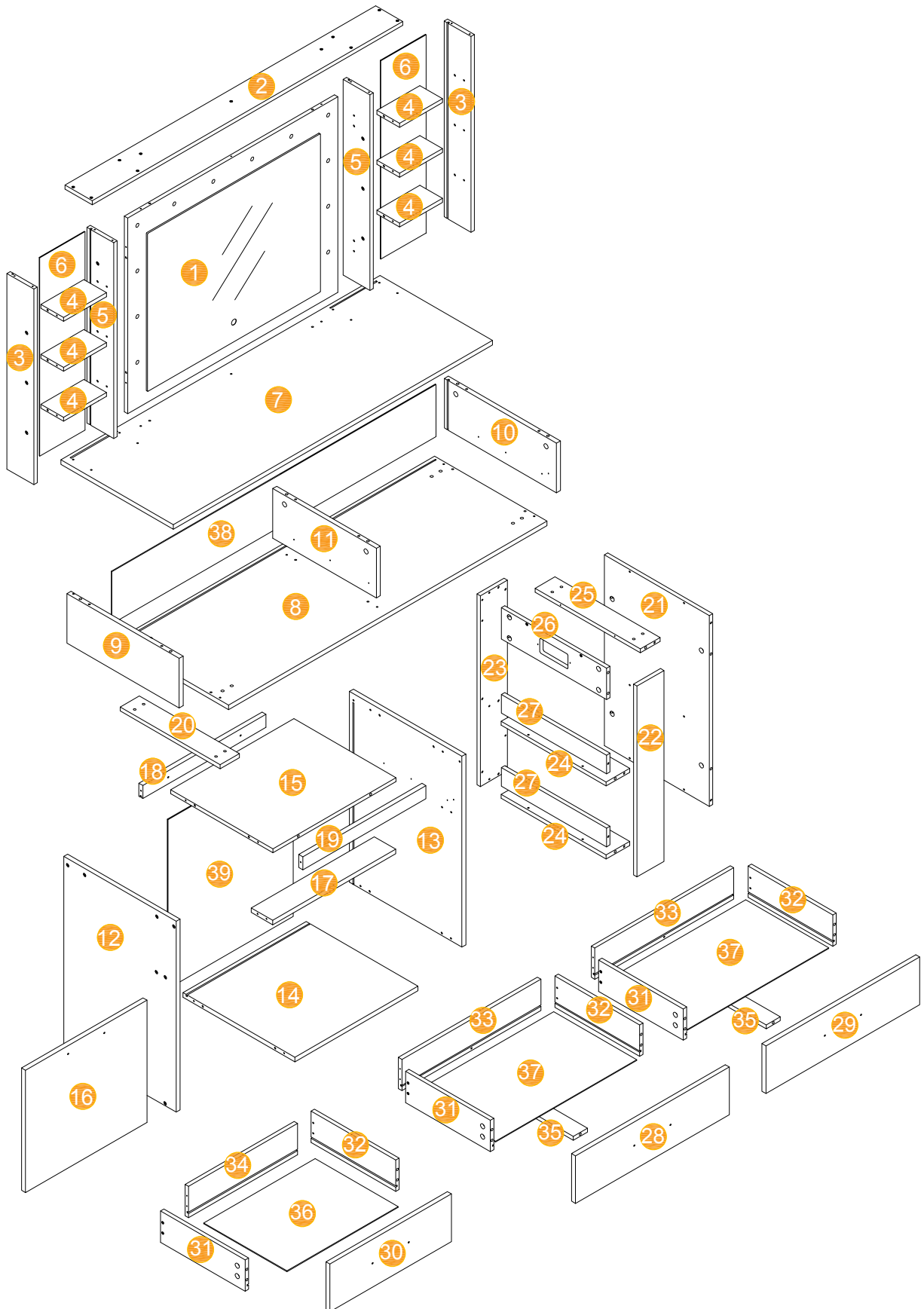


ASSEMBLY & INSTRUCTION MANUAL



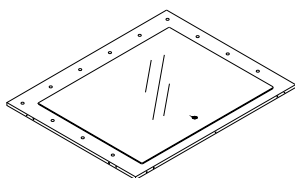
TECHNICAL EXPLODED VIEW DIAGRAM



PANEL COMPONENTS INVENTORY

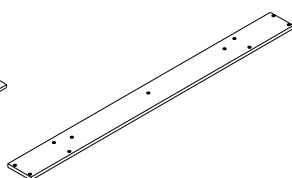
PLEASE MAKE SURE ALL THE PARTS ARE INCLUDED.

1



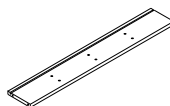
Front Panel*1

2



Top Panel*1

3



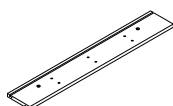
Top Vertical Panel-Outside*2

4



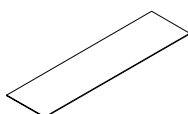
Top Shelf *6

5



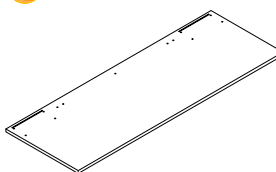
Top Vertical Panel-Inside*2

6



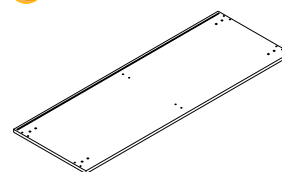
Top-Back Panel*2

7



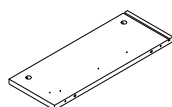
Surface Panel*1

8



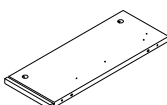
Bottom Panel*1

9



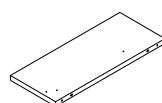
Left Horizontal Panel *1

10



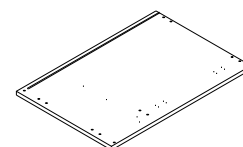
Right Horizontal Panel *1

11



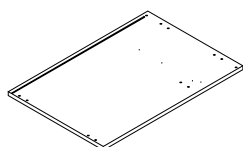
Middle Horizontal Panel *1

12



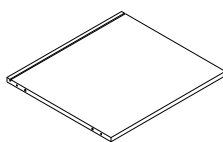
Left Vertical Panel *1

13



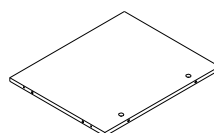
Right Vertical Panel *1

14



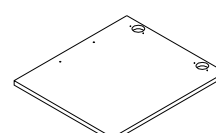
Small Bottom Panel *1

15



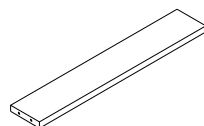
Small Top Panel *1

16



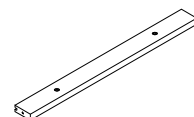
Door Panel *1

17



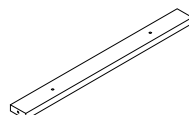
Intermediate Stretcher*1

18



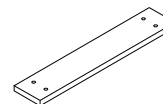
Back Stretcher *1

19



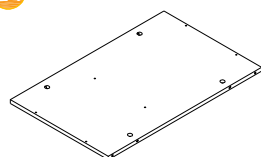
Front Stretcher *1

20



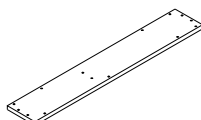
Support Bar *1

21



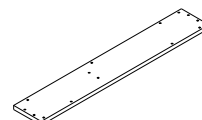
Right Connection Plate *1

22



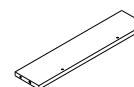
Front Connection Plate *1

23



Back Connection Plate *1

24

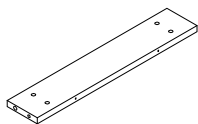


Bottom Connection Plate *2

PANEL COMPONENTS INVENTORY

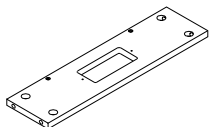
PLEASE MAKE SURE ALL THE PARTS ARE INCLUDED.

25



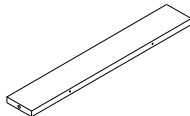
Top Connection Plate *1

26



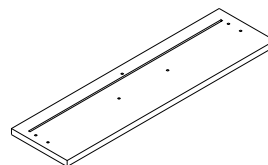
Socket Connection Plate *1

27



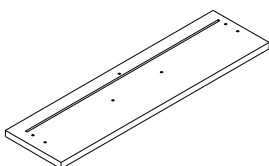
Shelf Shield*2

28



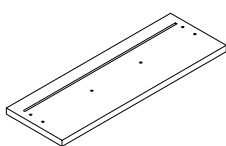
Left Drawer Front *1

29



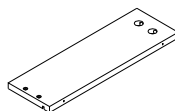
Right Drawer Front *1

30



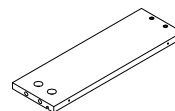
Under Drawer Front *1

31



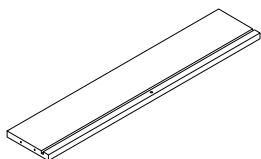
Drawer Left Side Panel*3

32



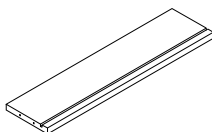
Drawer Right Side Panel*3

33



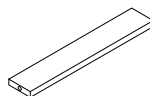
Top Drawer Back*2

34



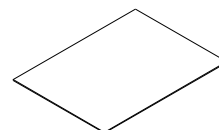
Under Drawer Back*1

35



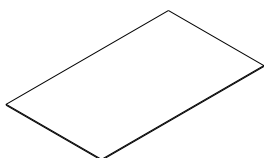
Drawer Bottom Support *2

36



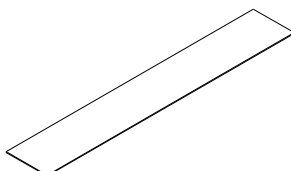
Under Drawer Bottom Plate*1

37



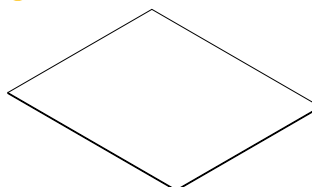
Top Drawer Bottom Plate*2

38



Middle-Back Panel*1

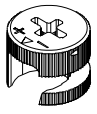
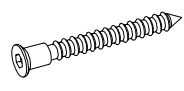
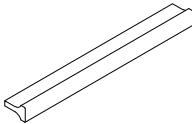
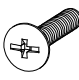


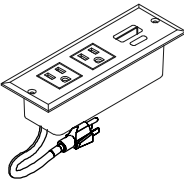
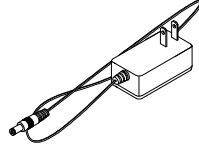
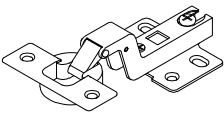
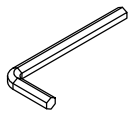





39



Under-Back Panel*1

HARDWARE COMPONENTS INVENTORY

PLEASE MAKE SURE ALL THE PARTS ARE INCLUDED.

<p>A</p>  <p>Large Hidden Cam*36(+2)</p>	<p>B</p>  <p>Cam Screw *36(+2)</p>	<p>C</p>  <p>Wood Dowel 6X30mm*54(+2)</p>	<p>D</p>  <p>Flat Head Screw M4X30 *26(+2)</p>	<p>E</p>  <p>Hex Head Screw M5X46 *62(+2)</p>	
<p>F</p>  <p>Flat Head Screw M3.5X14 *50(+3)</p>	<p>G</p>  <p>Handle*4</p>	<p>H</p>  <p>Hex Head Screw M4X18 *8(+1)</p>	<p>I</p>  <p>I1 Strap*2</p>  <p>I2 Flat Washers*4</p>  <p>I3 Flat Head Screw M4X16 *2</p>  <p>I4 Wall Plug *2</p>  <p>I5 Flat Head Screw M4X35 *2</p>		
<p>J</p> <p>J1</p>  <p>Back Connector*18(+2)</p> <p>J2</p>  <p>Back Flat Head M3.5X16 *18(+2)</p>		<p>K</p>  <p>American Style Socket*1</p>	<p>L</p>  <p>Adapter *1</p>	<p>M</p>  <p>Door hinge *2</p>	<p>N</p>  <p>Perfect Sticker*46(+4)</p>
<p>O</p>  <p>L-Wrench*1</p>	<p>P</p>  <p>Screwdriver*1</p>	<p>Q</p>  <p>Hex Head Screw M6X20mm *8(+1)</p>	<p>R</p>  <p>R1 Light Bulb*12</p>  <p>R2 Nut*12(+1)</p>  <p>R3 Connecting device*12(+2)</p>		
<p>CR</p>  <p>Cabinet Right*3</p>	<p>DR</p>  <p>Drawer Right*3</p>	<p>CL</p>  <p>Cabinet Left *3</p>	<p>DL</p>  <p>Drawer Left *3</p>	<p>S</p>  <p>L Bracket Corner*2</p>	

BEFORE YOU GET STARTED, A FEW POINTERS:



Having a friend to help makes assembly extra-easy



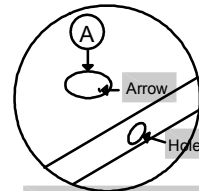
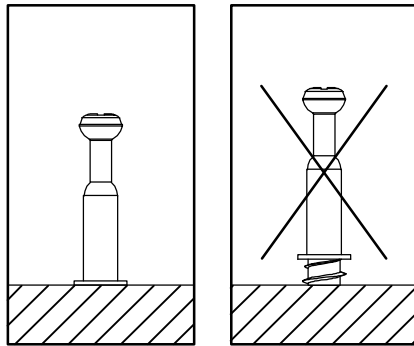
Mind the important safety information

ASSEMBLY INSTRUCTIONS

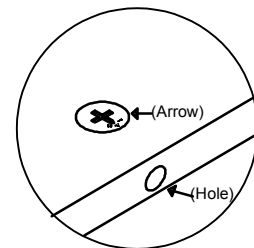
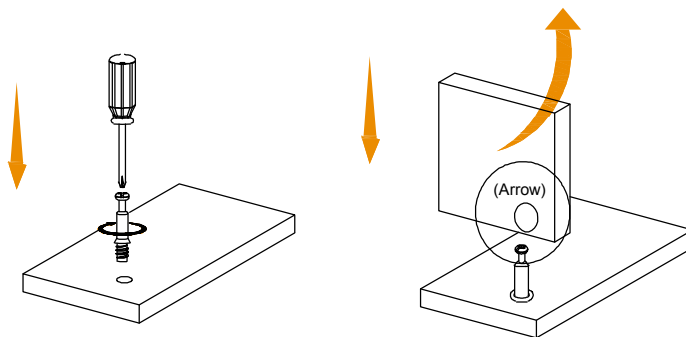
Important:

1. Before assembly, arrange all panel components and hardware fittings in sequential order and verify quantity counts.
2. If WOOD DOWEL joints exhibit loose fit, apply wood adhesive (customer-supplied) to enhance fastener bond strength.
3. Please install HIDDEN CAM and CAM SCREW according to the installation method shown in the diagram below.

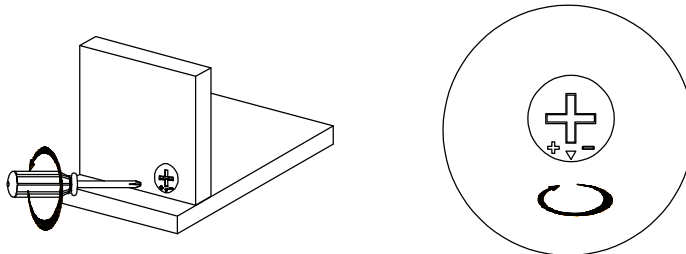
Torsionally tighten CAM SCREW until threads are no longer visible



The arrow in the HIDDEN CAM must point toward the hole in the edge of the board.



The arrow in the HIDDEN CAM must point toward the hole in the edge of the board

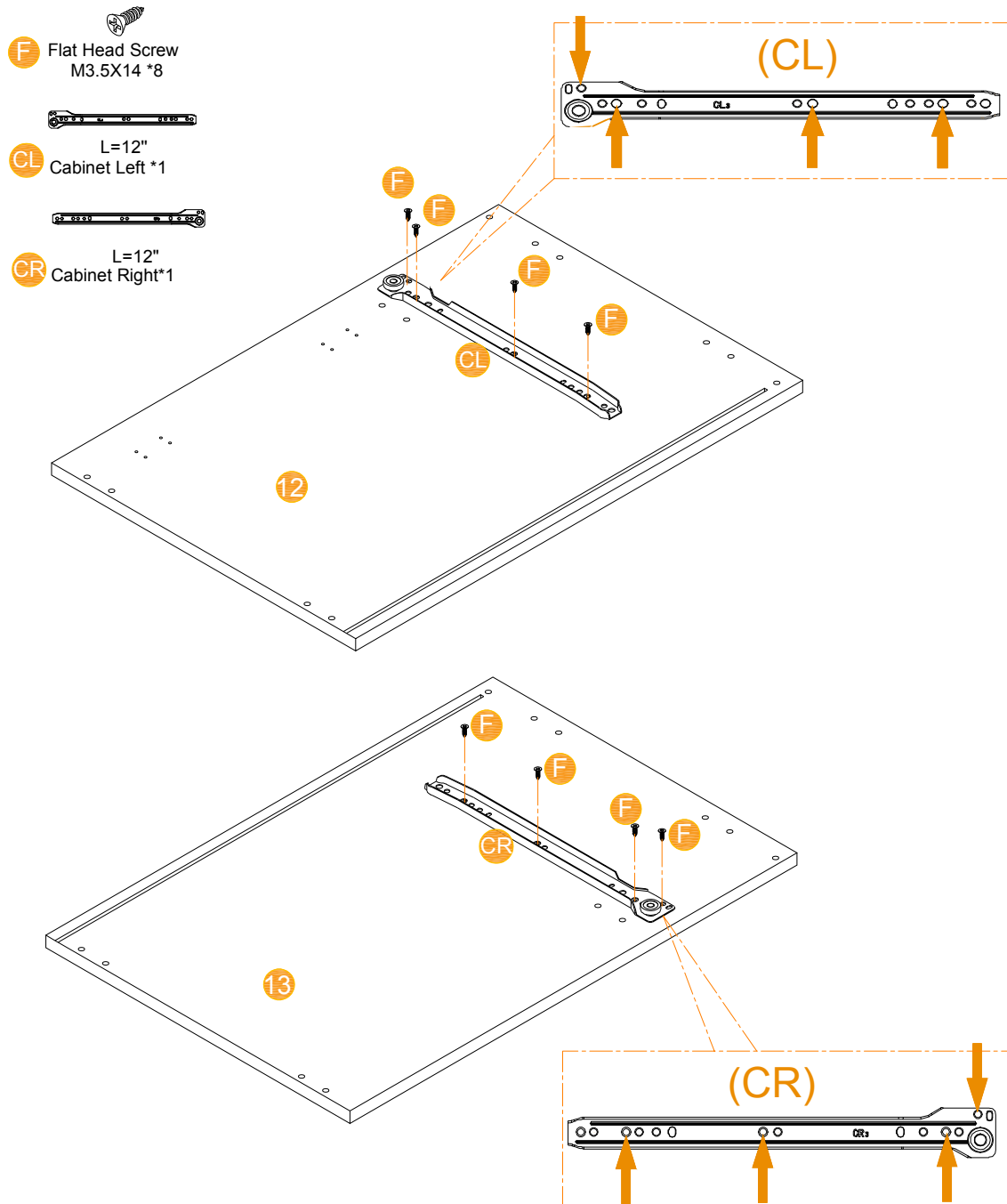


ASSEMBLY INSTRUCTIONS

STEP 1 Install rails CL and CR onto the Left Vertical Panel (Panel #12) and Right Vertical Panel (Panel #13) respectively.

Notes:

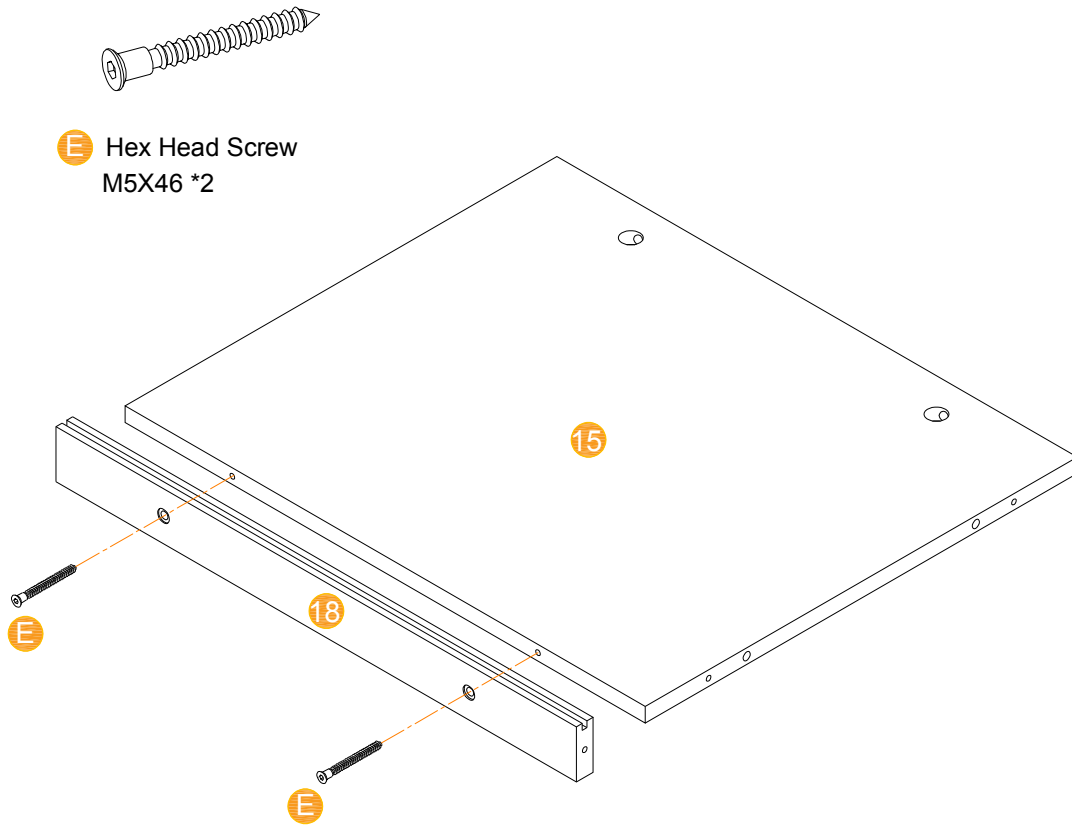
Orient the roller-equipped ends of rails CL/CR toward the non-grooved sides of panels, aligning mounting holes as illustrated



ASSEMBLY INSTRUCTIONS

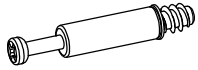
STEP 2 Install Back Stretcher (Panel #18) with Small Top Panel (Panel #15).

Notes: Groove on the panel #18 direction is correct .

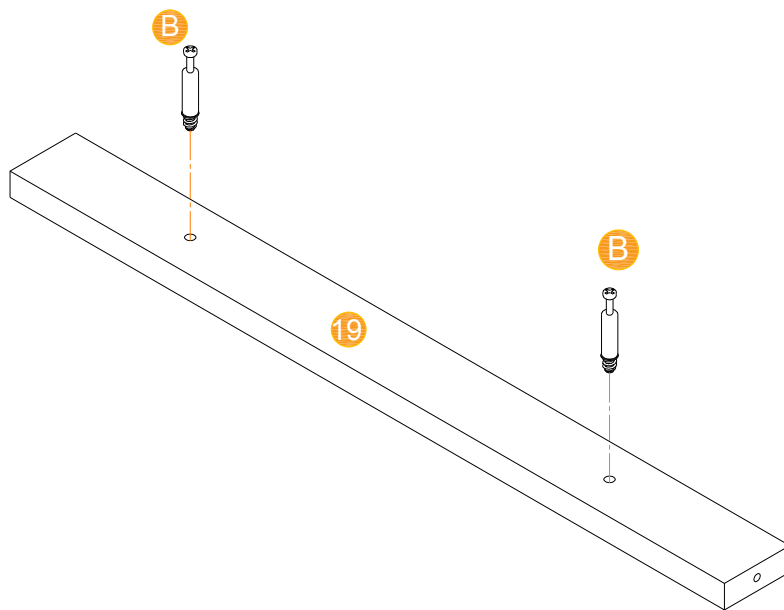


ASSEMBLY INSTRUCTIONS

STEP 3 Install four CAM SCREWS on Front Stretcher (#19).



B Cam Screw*2

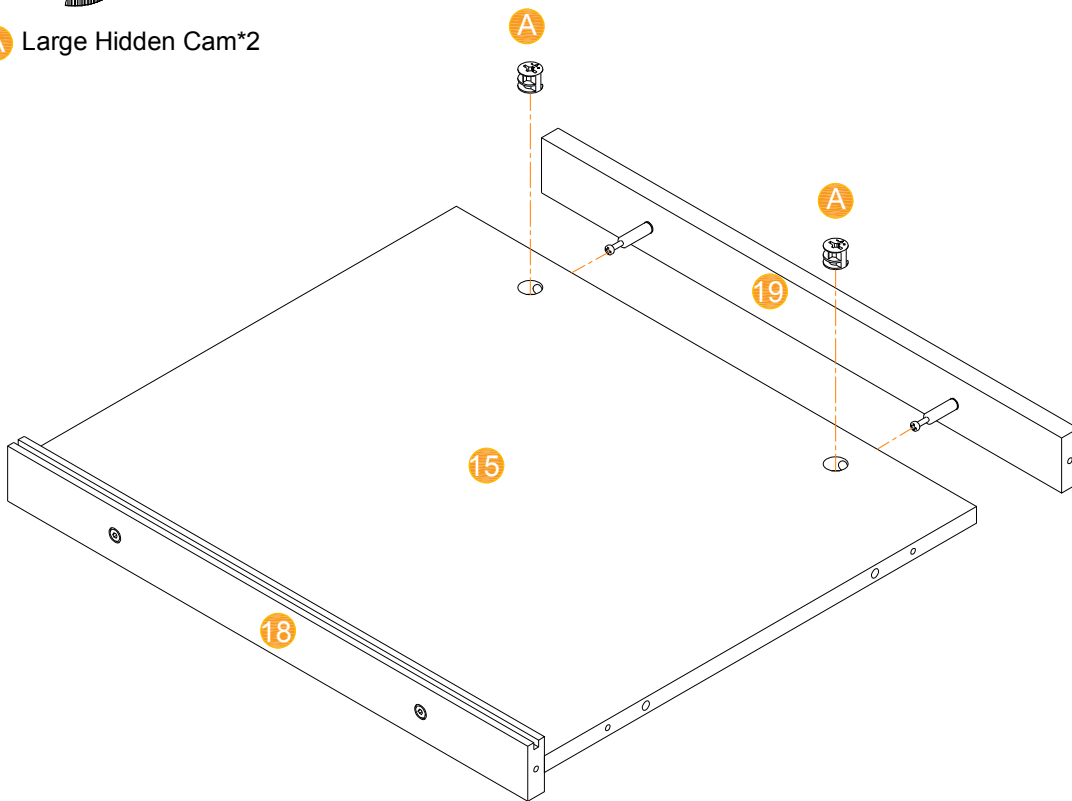


ASSEMBLY INSTRUCTIONS

STEP 4 Secure Front Stretcher #19 to Small Top Panel #15.



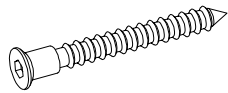
A Large Hidden Cam*2



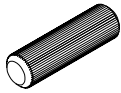
ASSEMBLY INSTRUCTIONS

STEP 5 Insert two WOOD DOWELS at Small Top Panel #15. and then Secure the Right Vertical Panel #13 with Small Top Panel #15, and Front Stretcher #19, Back Stretcher #18.

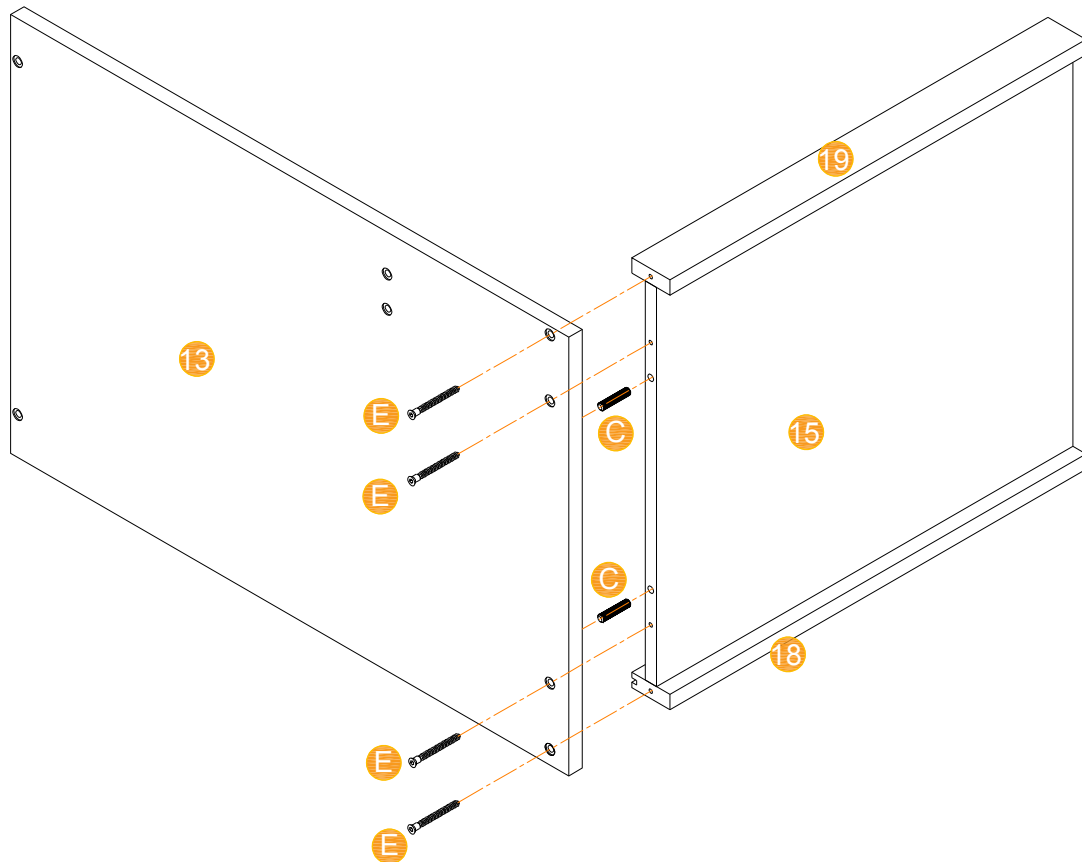
Note: Ensure Panel #13's groove aligns with Panel #18's groove orientation.



E Hex Head Screw
M5X46 *4



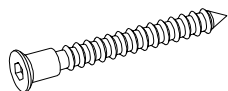
G Wood Dowel
6X30mm*2



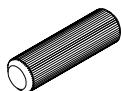
ASSEMBLY INSTRUCTIONS

STEP 6 Insert two WOOD DOWELS at Small Bottom Panel #14. and then Secure Panel #14 with Panel #13.

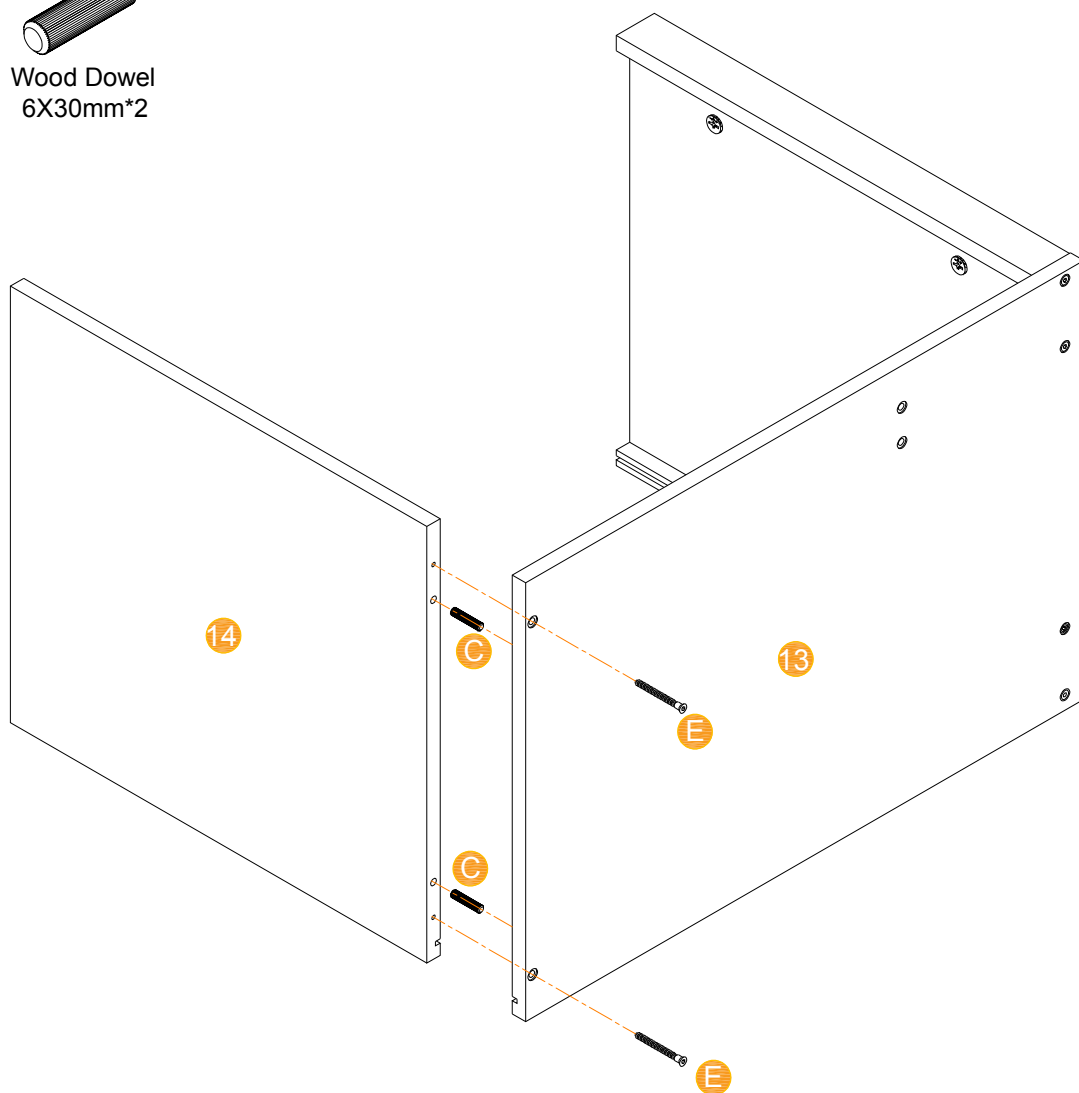
Note: Ensure Panel #13's groove aligns with Panel #14's groove orientation.



E Hex Head Screw
M5X46 *2

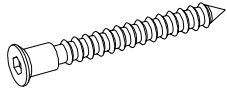


C Wood Dowel
6X30mm*2

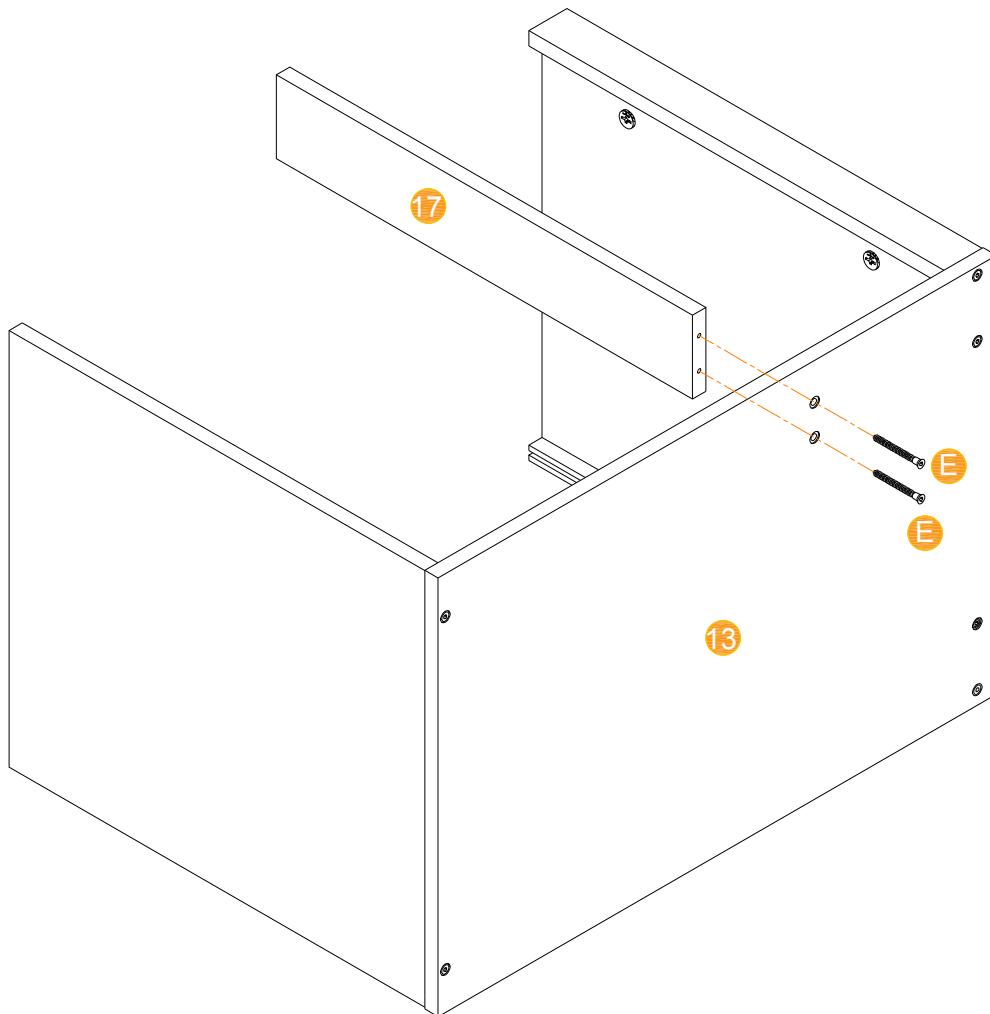


ASSEMBLY INSTRUCTIONS

STEP 7 Secure Intermediate Stretcher #17 with Panel #13.

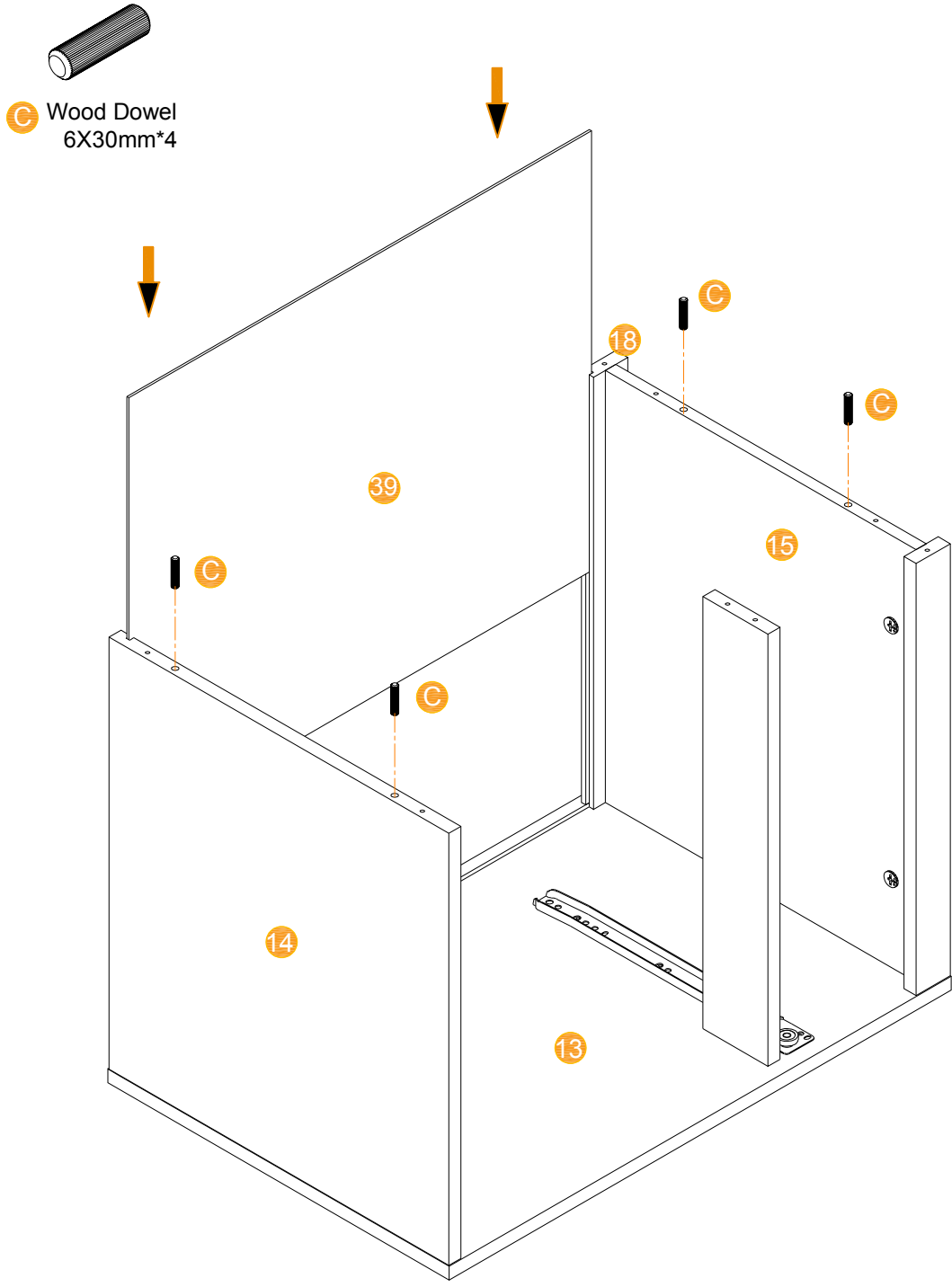


E Hex Head Screw
M5X46 *2



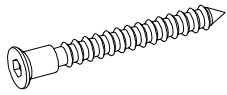
ASSEMBLY INSTRUCTIONS

STEP 8 Insert Under-Back Panel (#39) into groove channel. and then Insert two WOOD DOWELS at Panel #14 & Panel #15

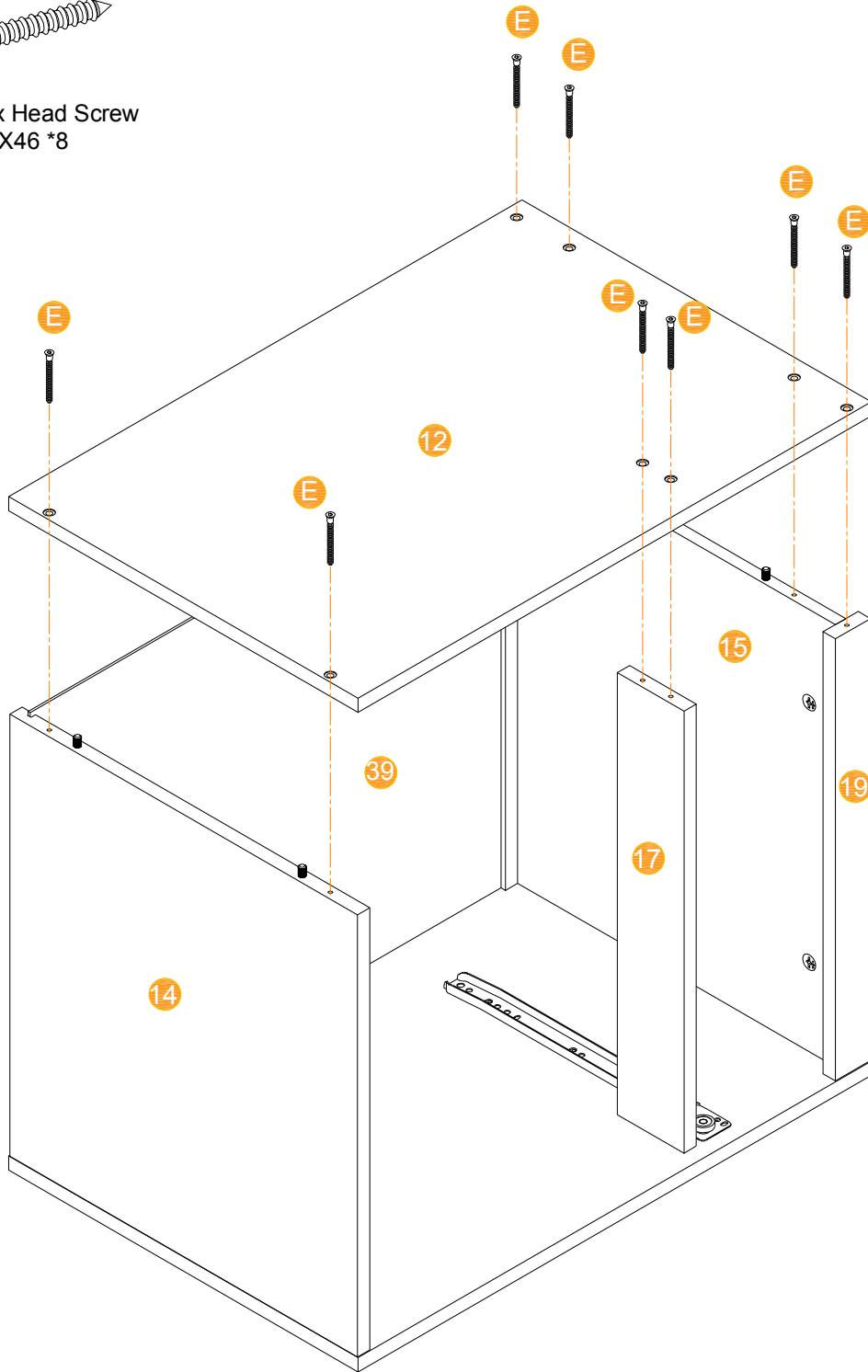


ASSEMBLY INSTRUCTIONS

STEP 9 Mount Left Vertical Panel (#12) onto assembly, securing with eight self-tapping screw



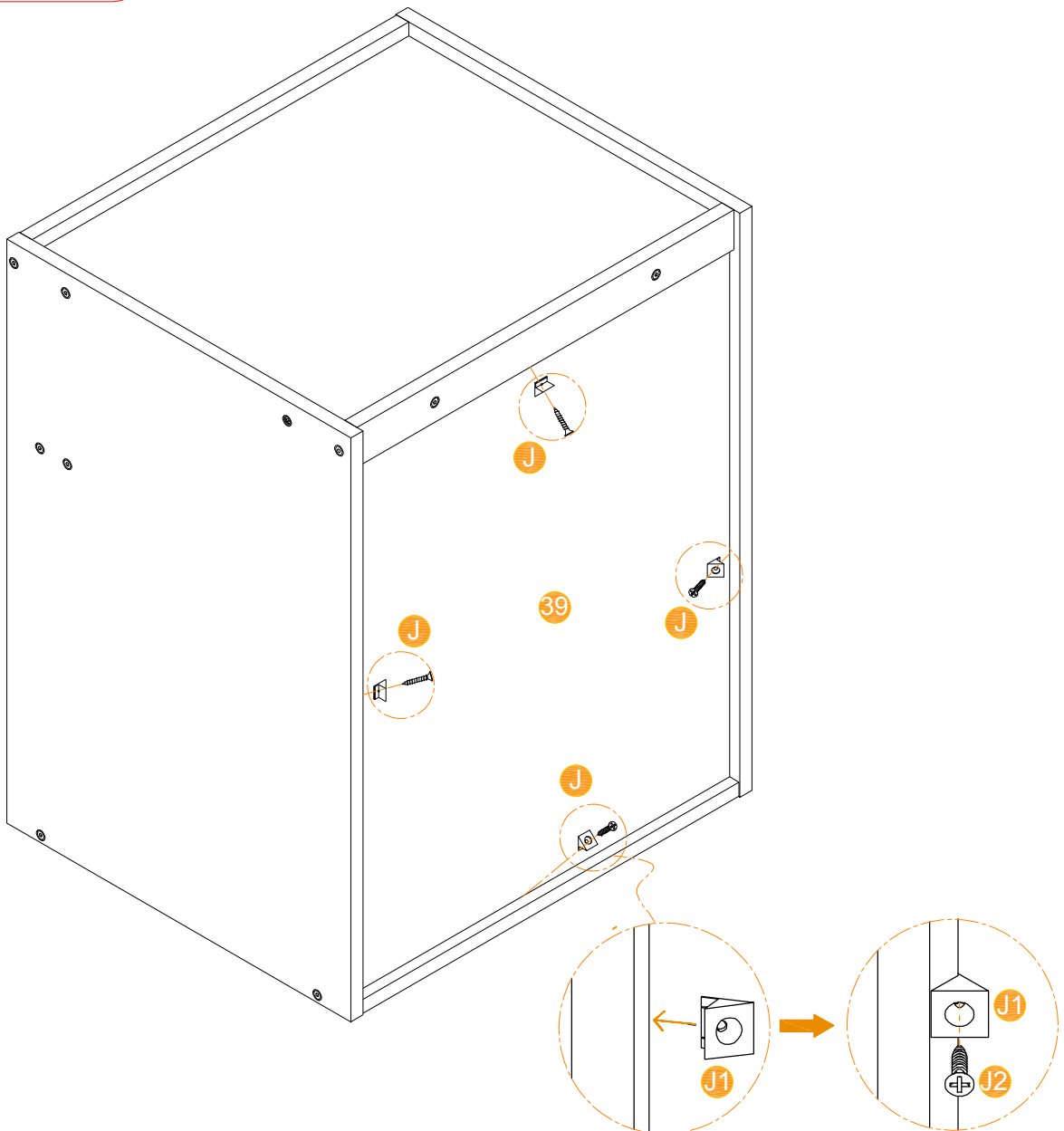
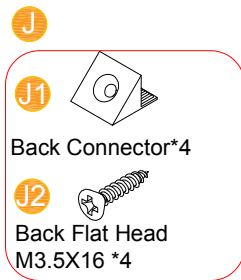
E Hex Head Screw
M5X46 *8



ASSEMBLY INSTRUCTIONS

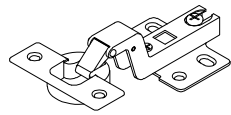
STEP 10 Attach back panel connectors.

Note: Insert BACK CONNECTOR into rear panel slots per illustration.



ASSEMBLY INSTRUCTIONS

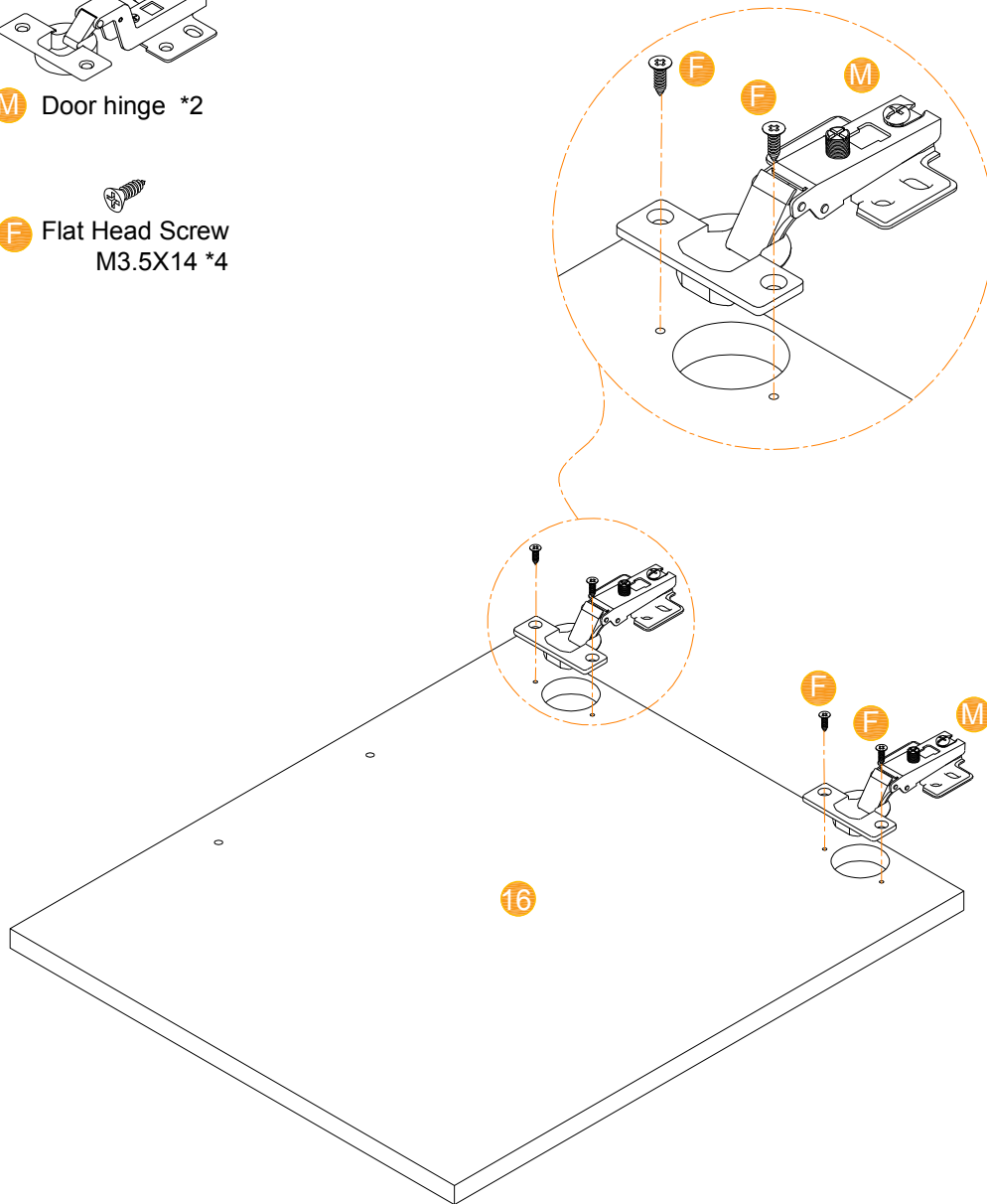
STEP 11 Intall the Door hinge to Door Panel #16.



M Door hinge *2



F Flat Head Screw
M3.5X14 *4

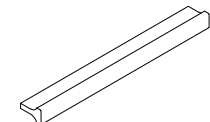


ASSEMBLY INSTRUCTIONS

STEP 12 Secure the Door Panel #16 on Panel #12, and then attach Handle .

Note: Adjust the door balance according to the instructions (if necessary).

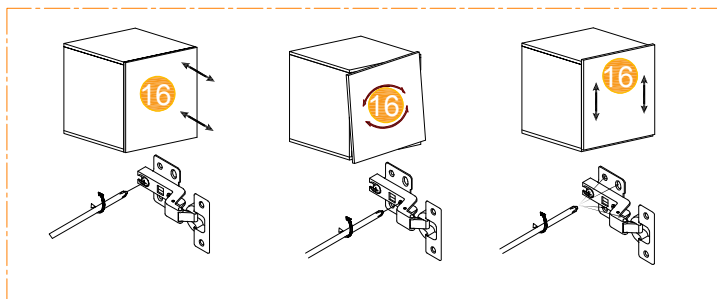
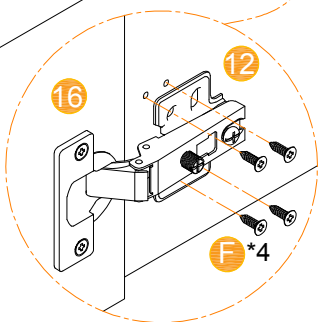
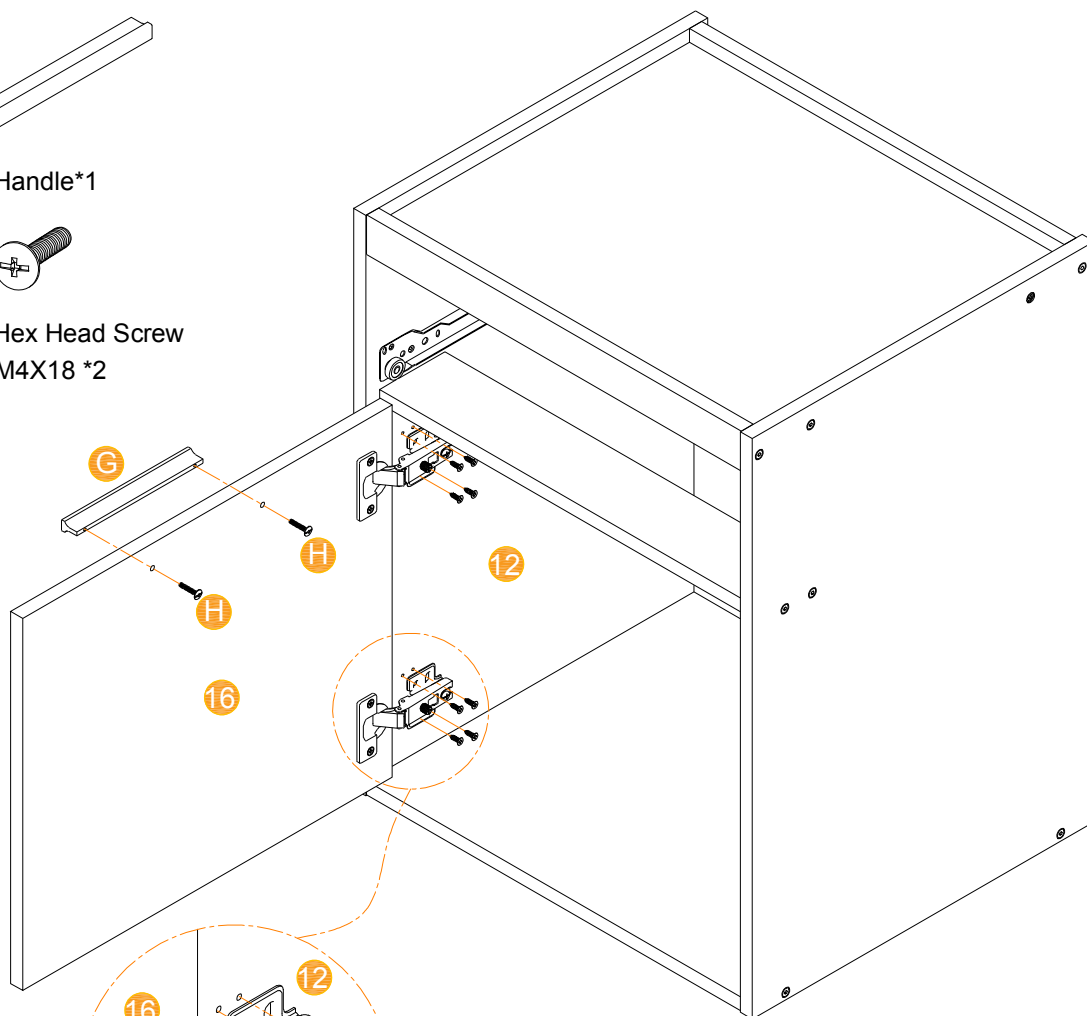
F Flat Head Screw
M3.5X14 *8



G Handle*1



H Hex Head Screw
M4X18 *2

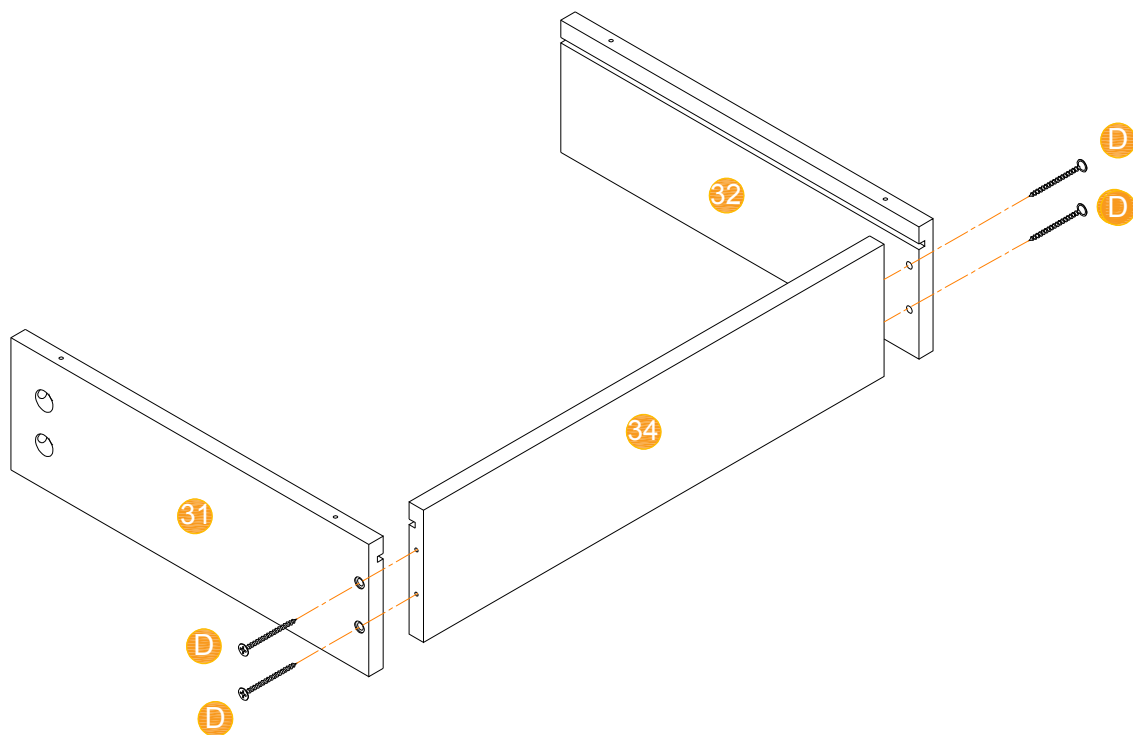


ASSEMBLY INSTRUCTIONS

STEP 13 Assemble Drawer Left Side Panel (#31) and Drawer Right side Panel (#32) to Under Drawer Back (Panel #34) with four self-tapping screws.

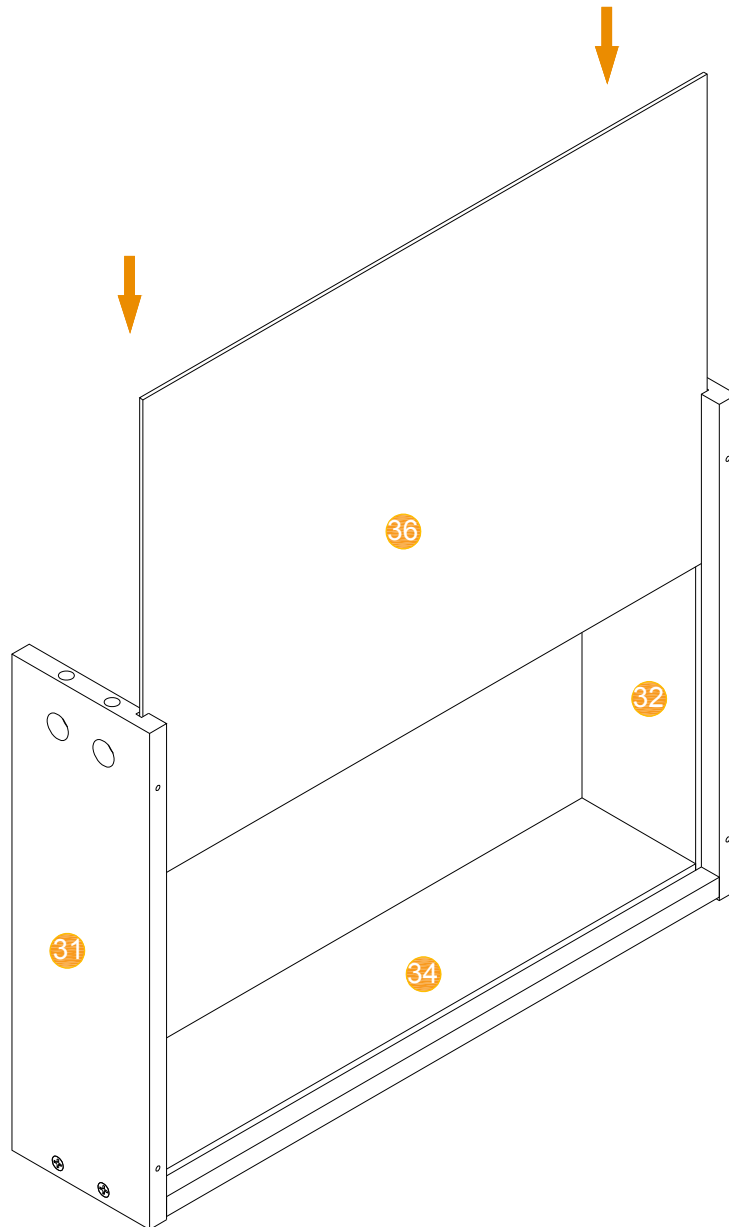


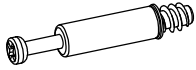
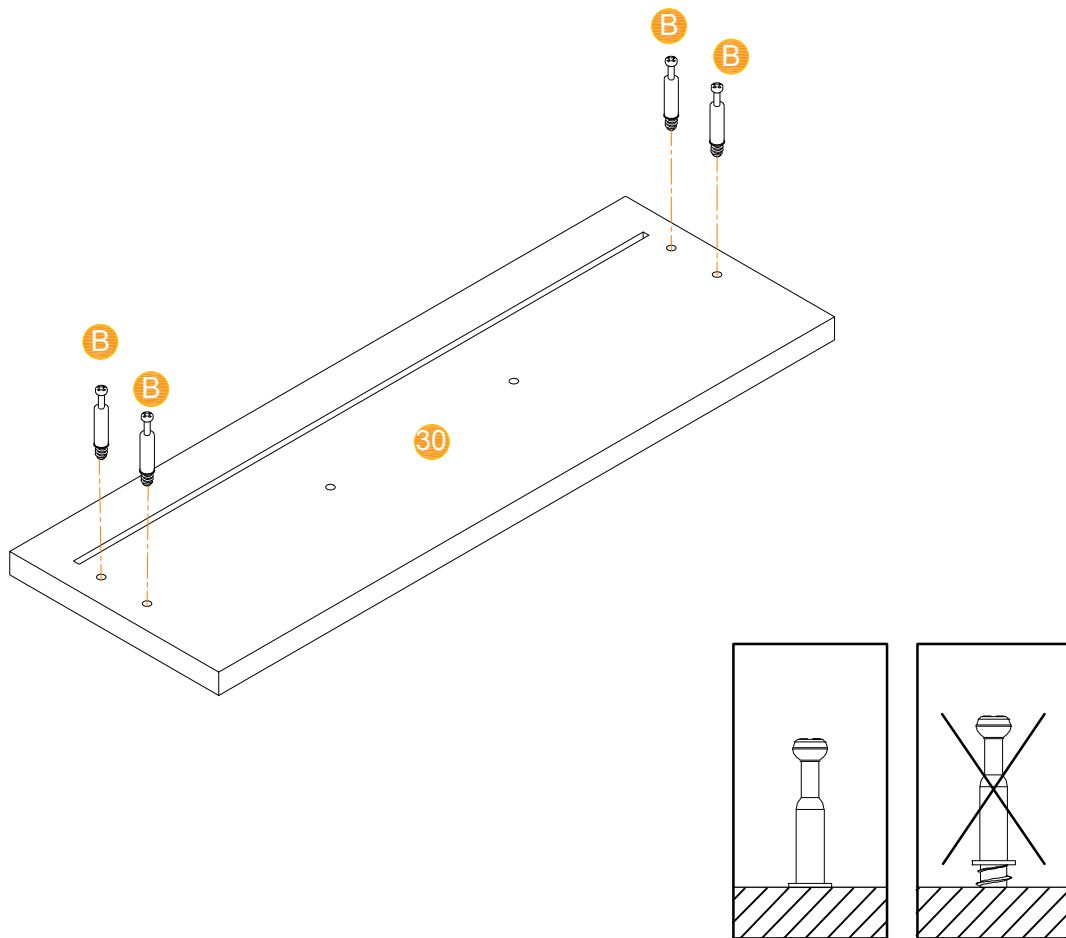
D Flat Head Screw
M4X30 *4



ASSEMBLY INSTRUCTIONS

STEP 14 Insert Under Drawer Bottom Plate (Panel #36) into groove channels.



ASSEMBLY INSTRUCTIONS**STEP 15** Secure four CAM SCREWS per Under Drawer Front (#30)**B** Cam Screw*4

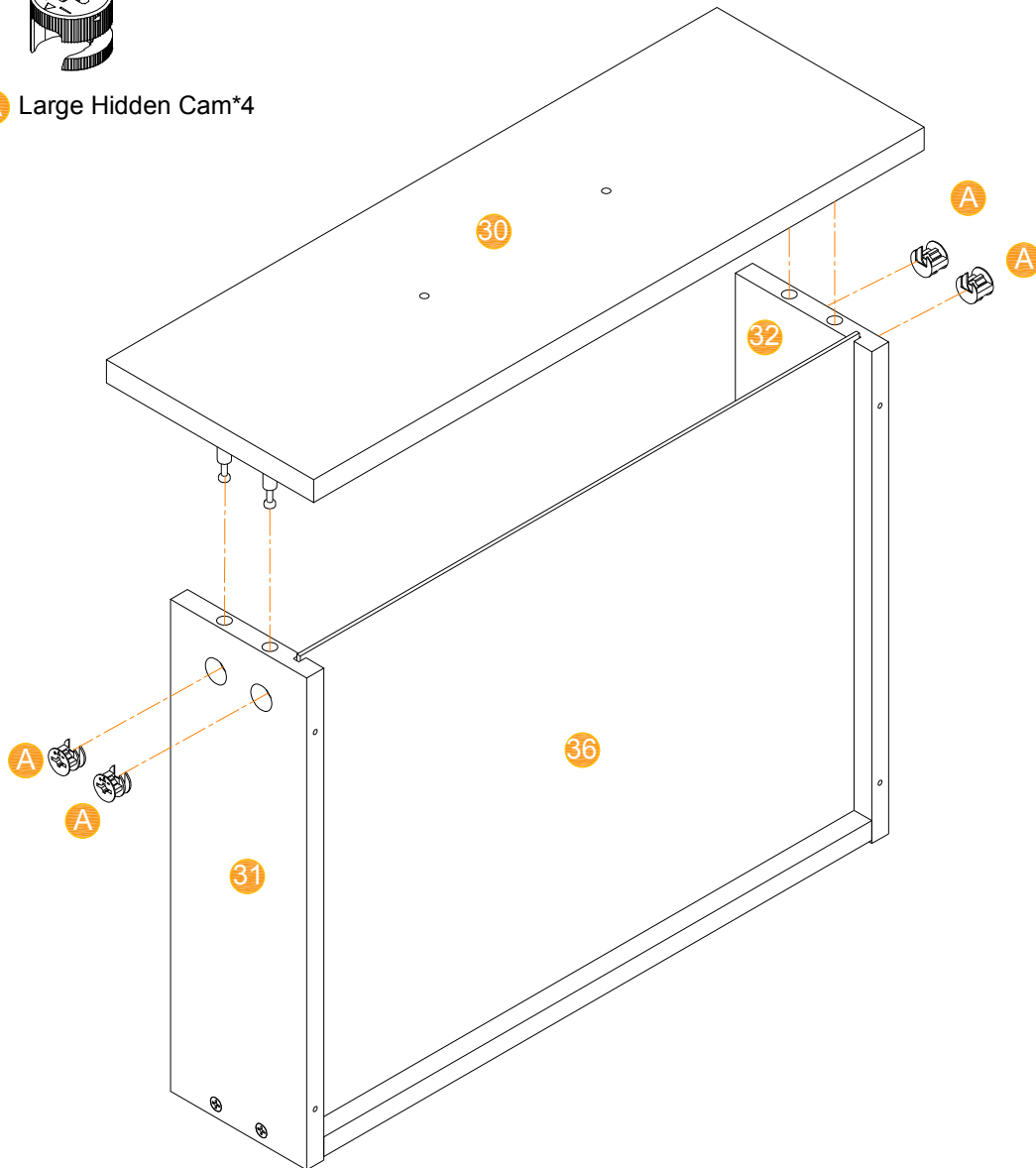
ASSEMBLY INSTRUCTIONS

STEP 16 Assemble Drawer Left Side Panel (#31) and Drawer Right side Panel (#32) to Under Drawer Front (#30)

Note: Engage Panel #30's channel with Panel #36



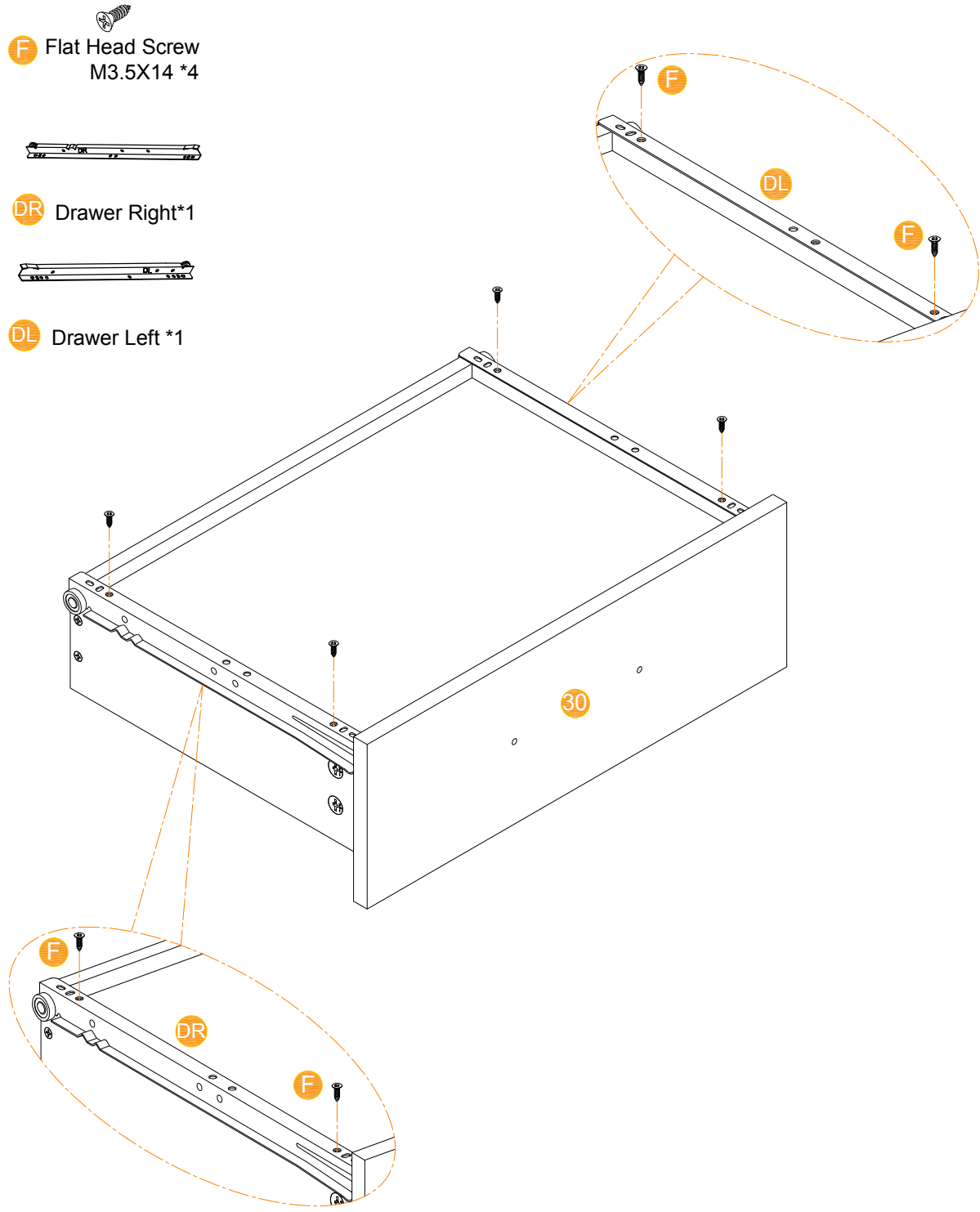
A Large Hidden Cam*4



ASSEMBLY INSTRUCTIONS

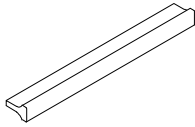
STEP 17 Invert drawer (back facing upward), install rails DL/DR.

Note: Align roller ends toward drawer back, matching hole patterns as shown.



ASSEMBLY INSTRUCTIONS

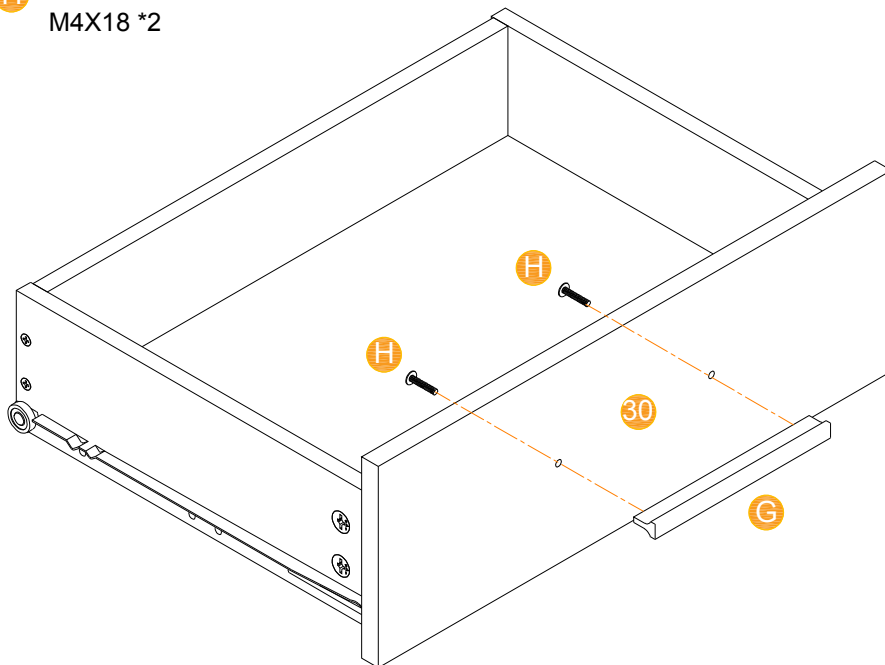
STEP 18 Attach handle



G Handle*1



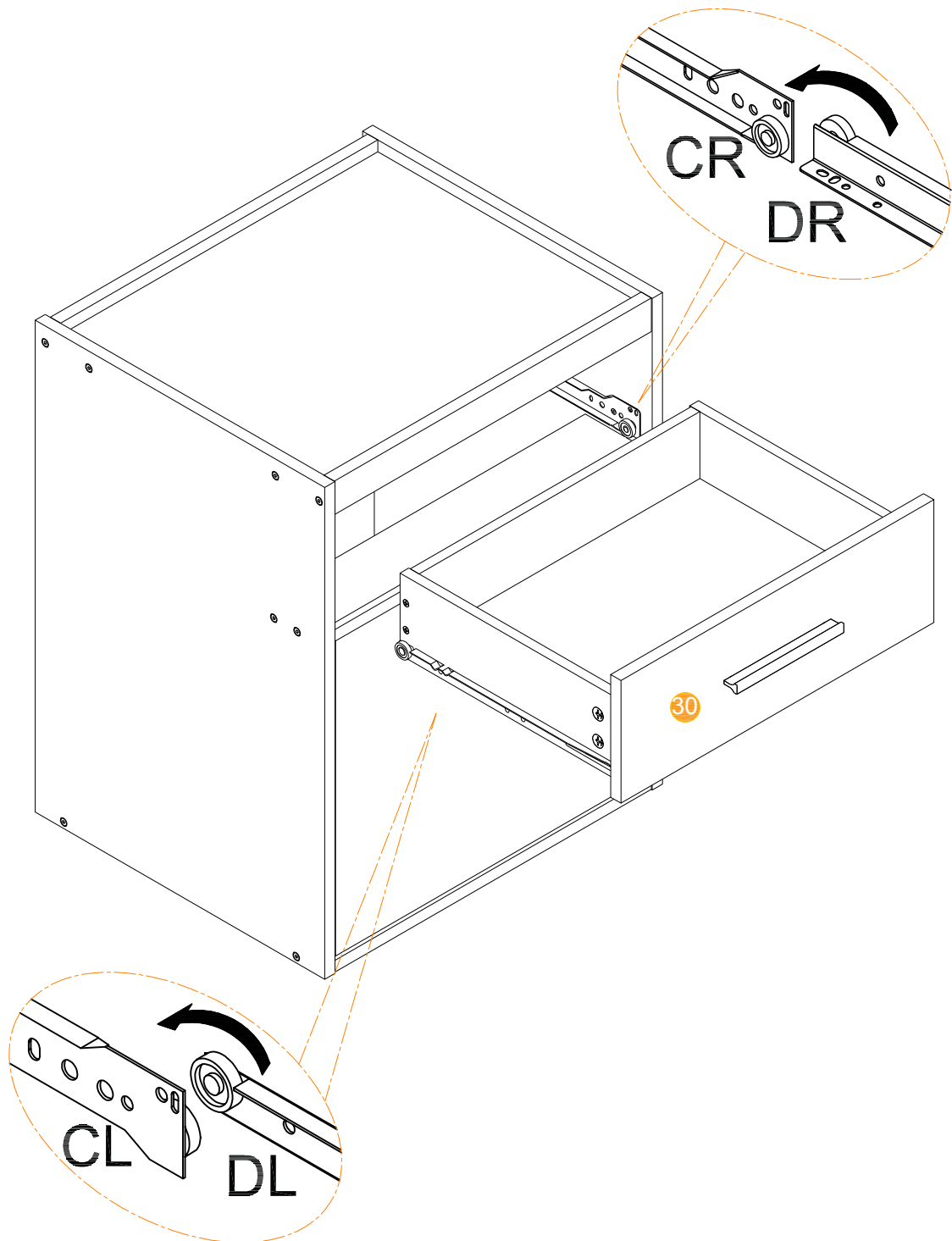
H Hex Head Screw
M4X18 *2



ASSEMBLY INSTRUCTIONS

STEP 19 Install drawers into cabinet.

Note: Horizontally engage drawer rails DL/DR with cabinet rails CL/CR per diagram.



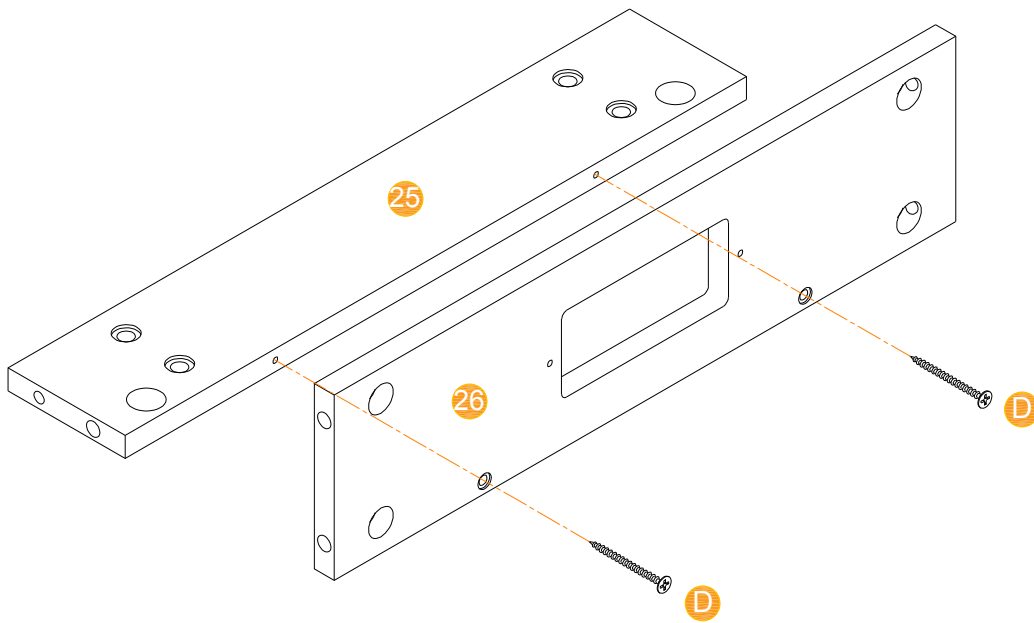
ASSEMBLY INSTRUCTIONS

STEP 20 Install Top Connection Plate (#25) on Socket Connection Plate (#26) with self-tapping screws.

Note: Hole direction on Panel #25 as shown



D Flat Head Screw
M4X30 *2

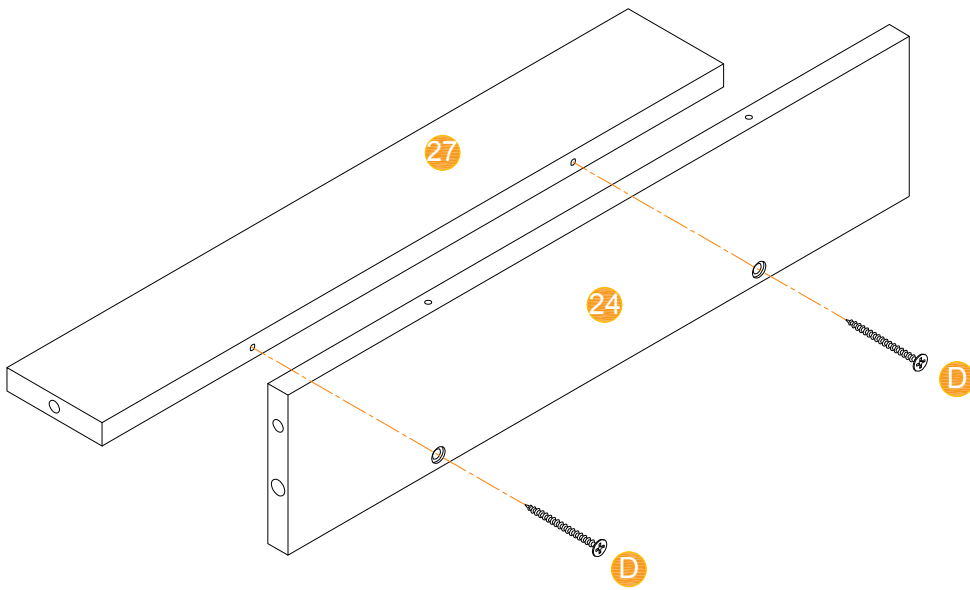


ASSEMBLY INSTRUCTIONS

STEP 21 Install Bottom Connection Plate (#24) on Shelf Shield (#27) with self-tapping screws.



D Flat Head Screw
M4X30 *4



X2

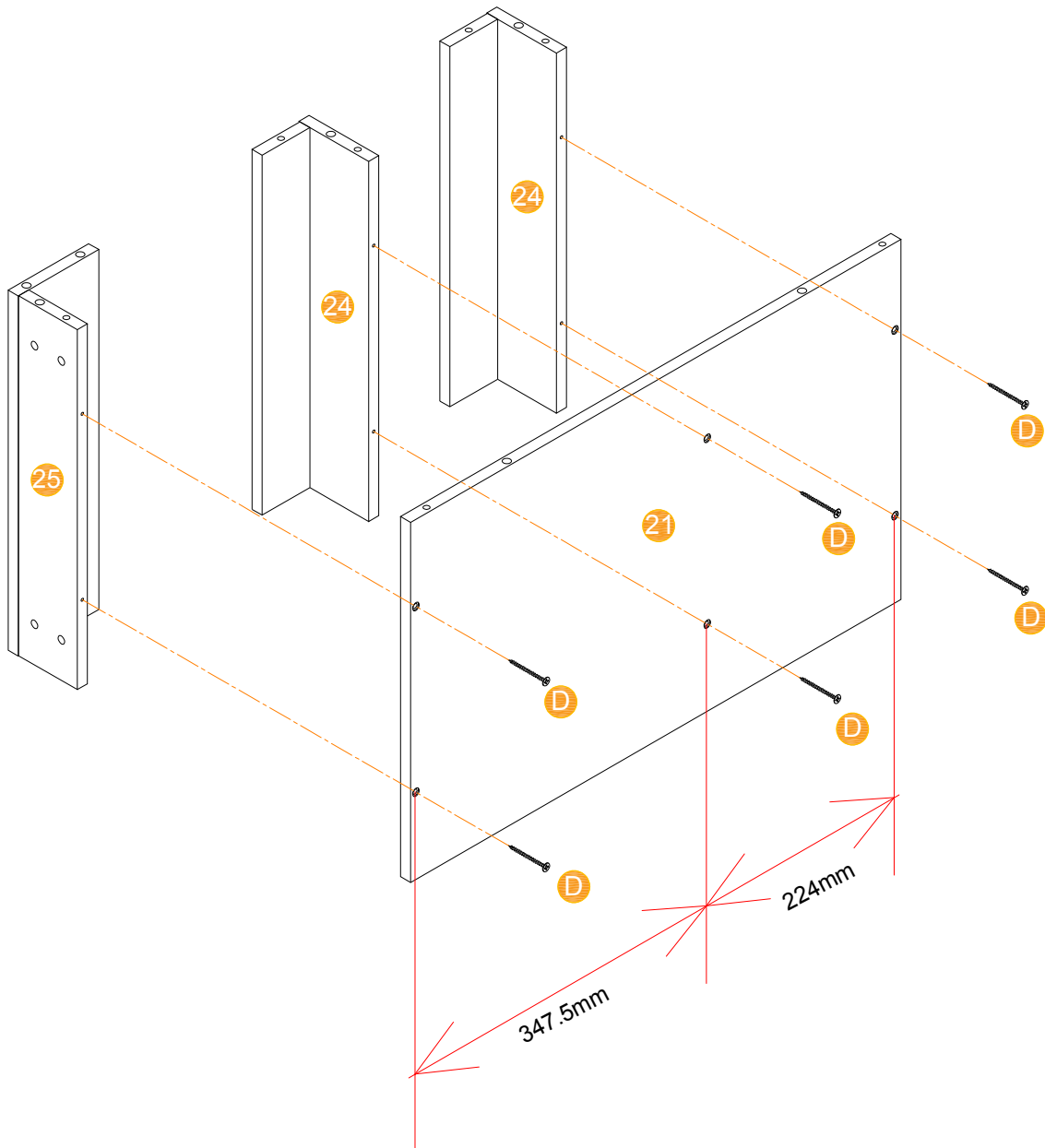
ASSEMBLY INSTRUCTIONS

STEP 22 Install Right Connection Plate(#21) with self-tapping screws..

Note:Hole direction on Panel #21 as shown

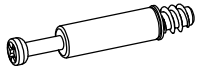


D Flat Head Screw
M4X30 *6

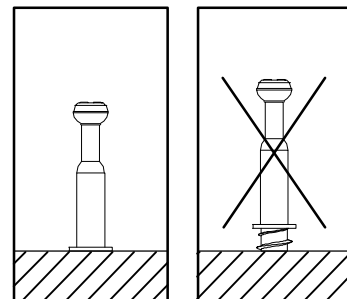
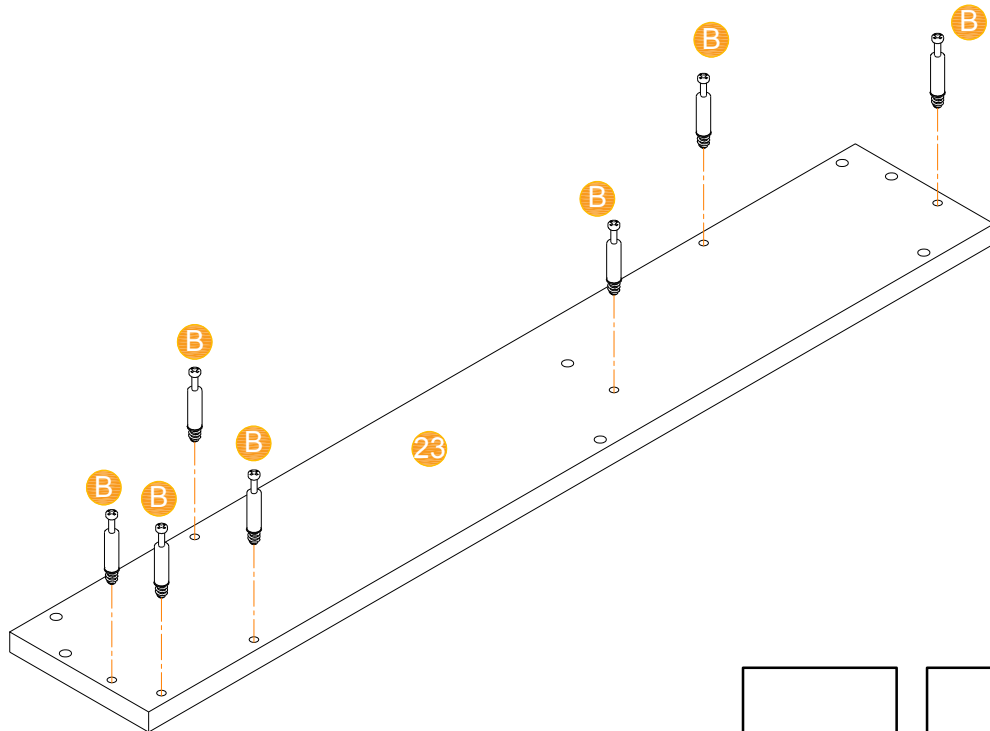


ASSEMBLY INSTRUCTIONS

STEP 23 Secure seven CAM SCREWS per Back Connection Plate (#23)

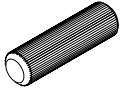



B Cam Screw*7

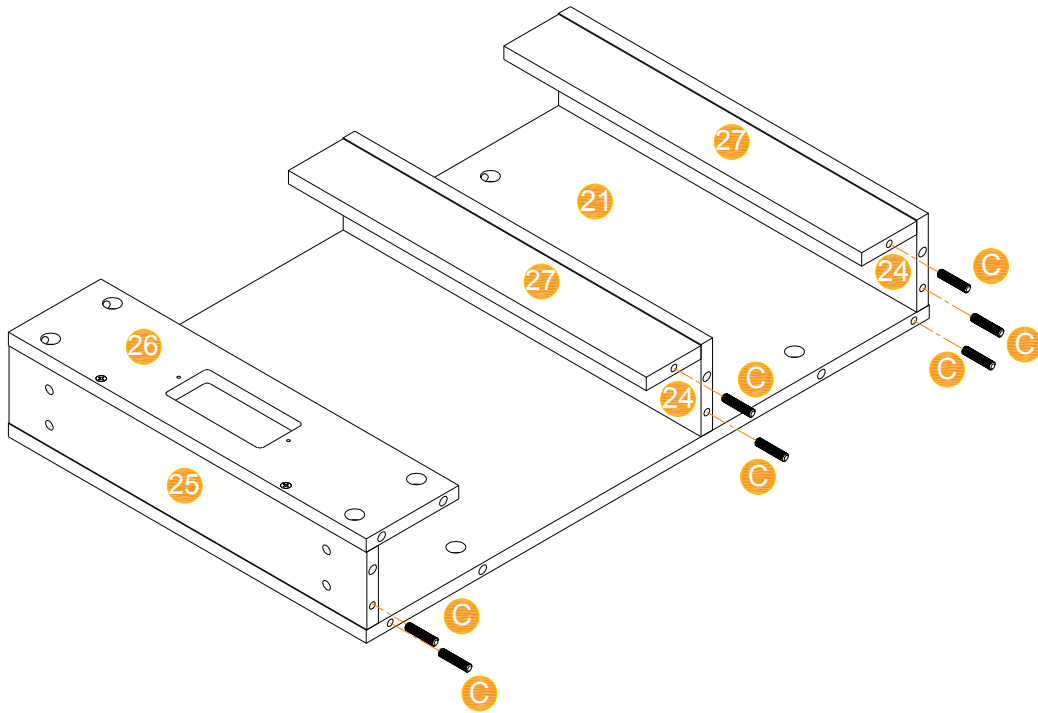


ASSEMBLY INSTRUCTIONS

STEP 24 Insert seven WOOD DOWELS at Panel #21,24,25,27 as show



 Wood Dowel
6X30mm*7

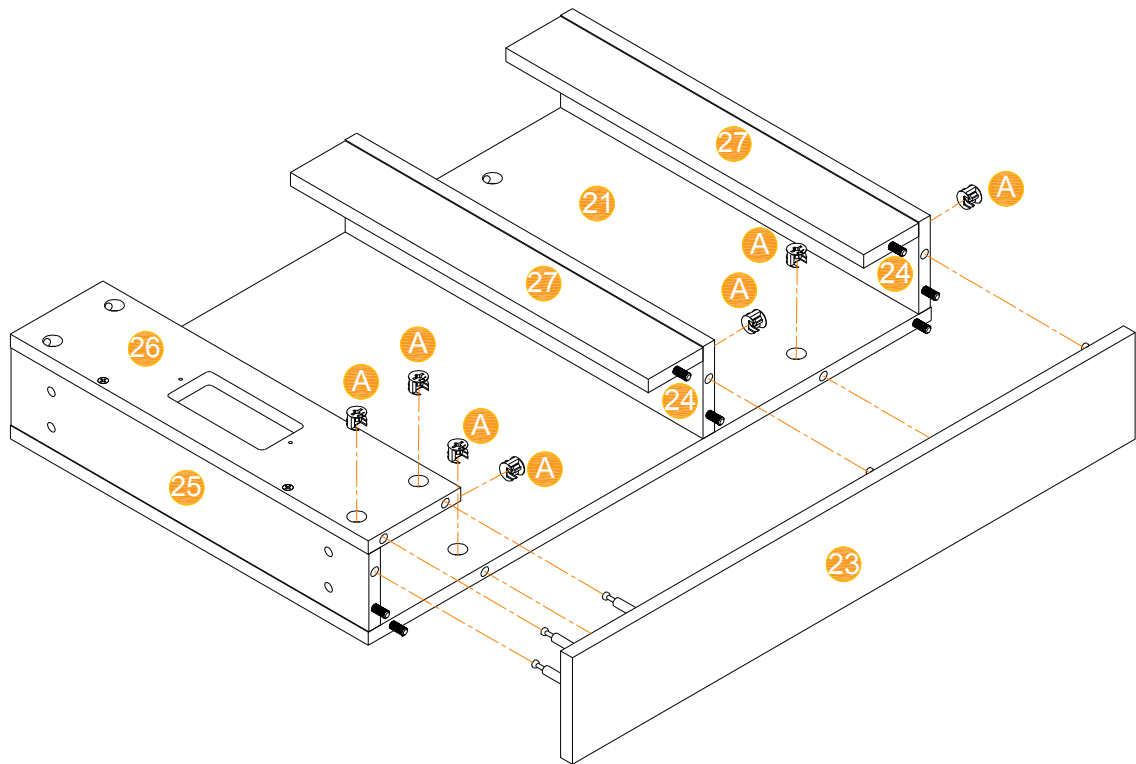


ASSEMBLY INSTRUCTIONS

STEP 25 Assemble Panel #23 as show

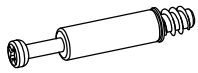


A Large Hidden Cam*7

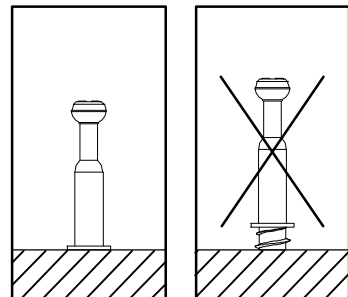
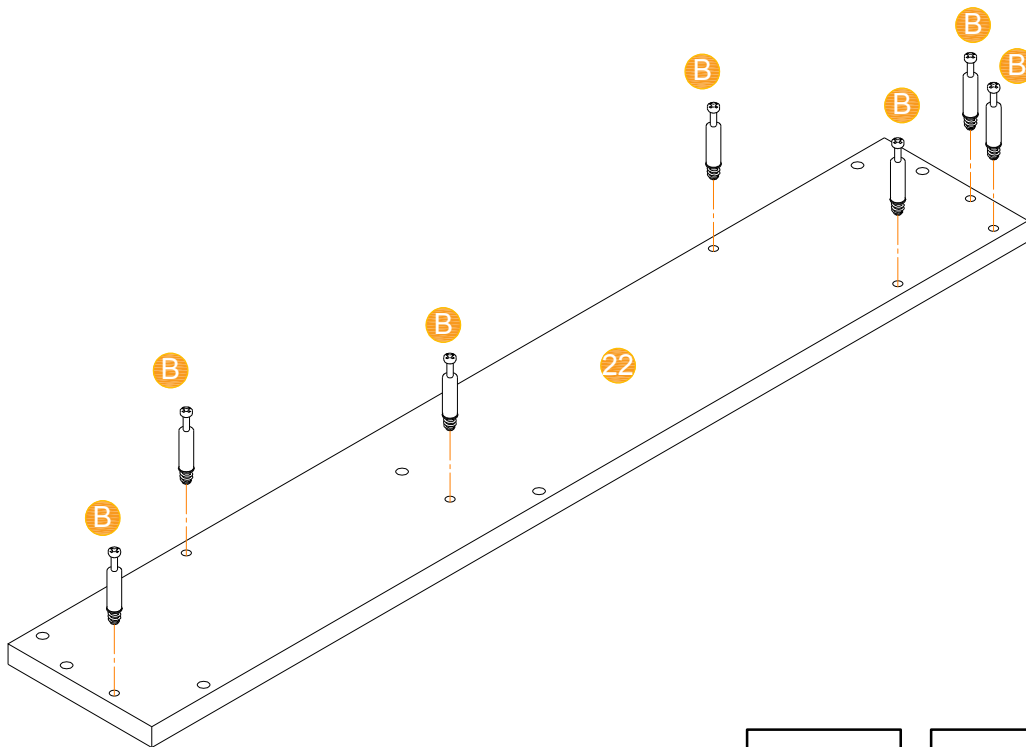


ASSEMBLY INSTRUCTIONS

STEP 26 Secure seven CAM SCREWS per Front Connection Plate (#22)

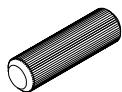


B Cam Screw*7

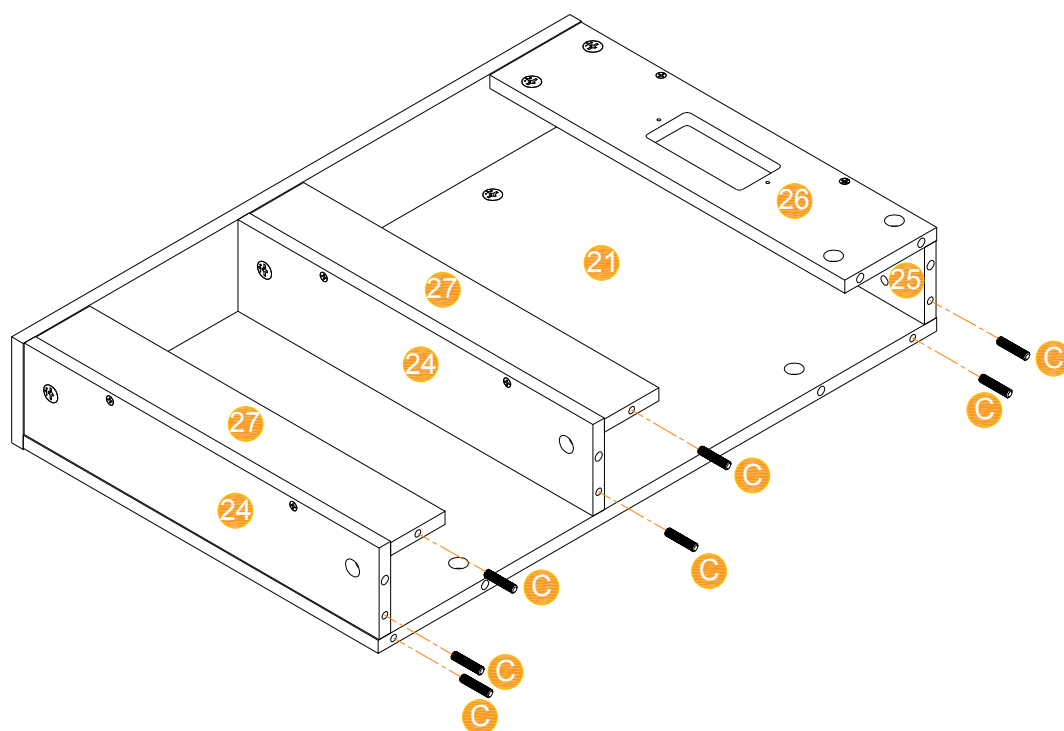


ASSEMBLY INSTRUCTIONS

STEP 27 Insert seven WOOD DOWELS at Panel #21,24,25,27 as show



C Wood Dowel
6X30mm*7

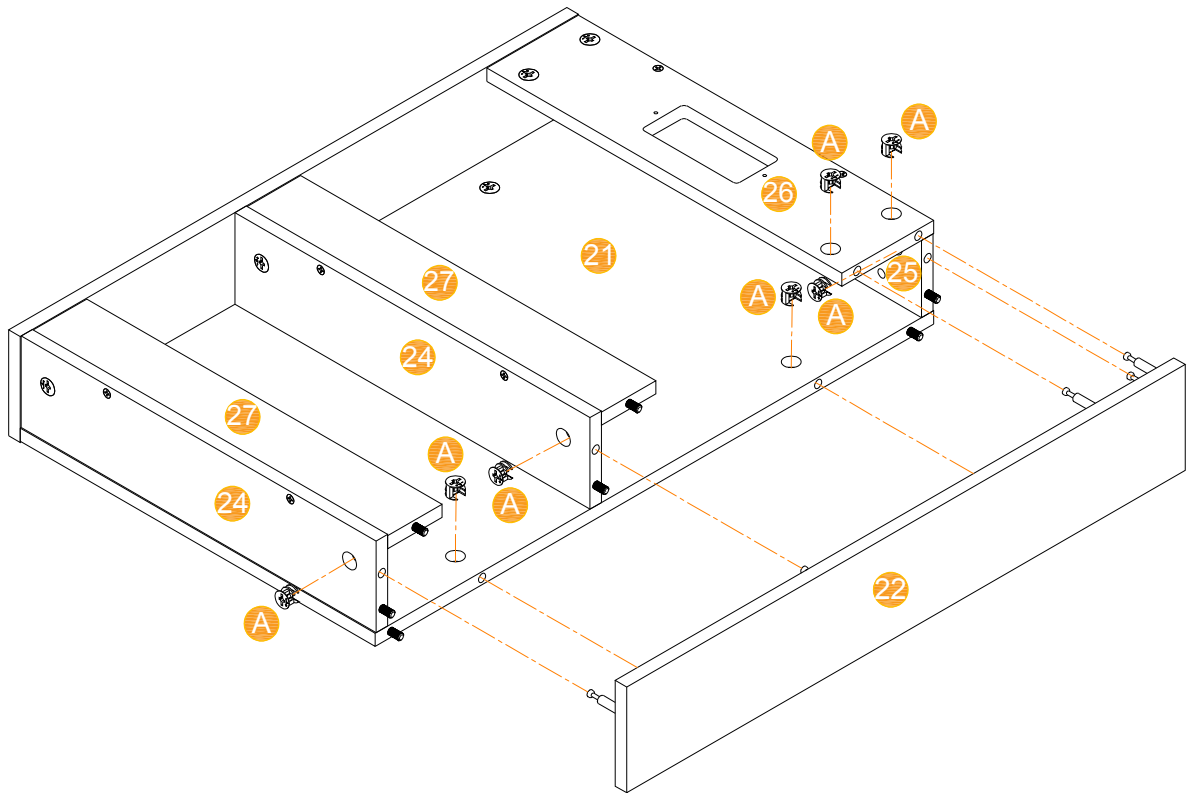


ASSEMBLY INSTRUCTIONS

STEP 28 Insert two WOOD DOWELS at Panel #21,24,25. and then assemble Panel #22 as show



A Large Hidden Cam*7

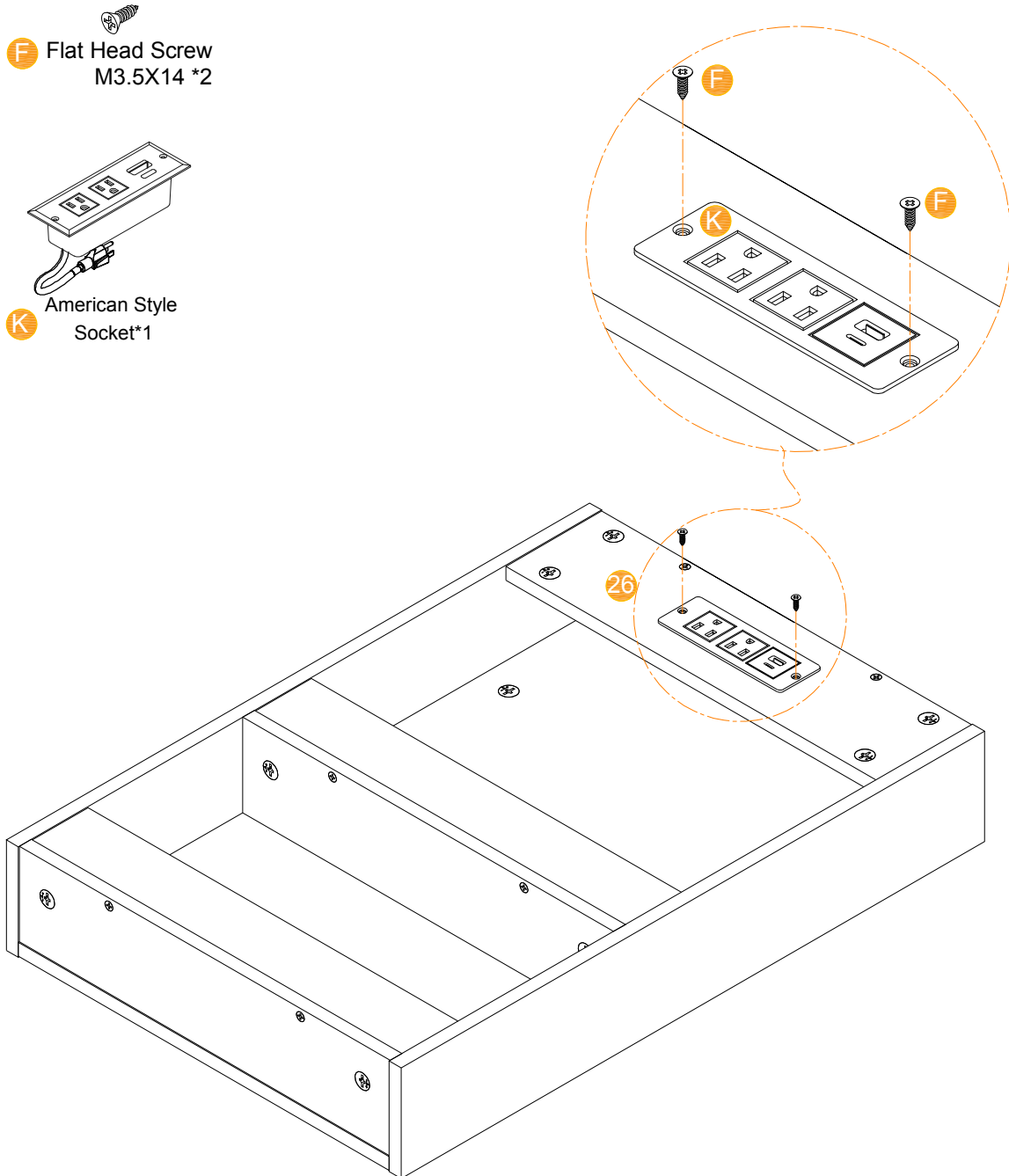


ASSEMBLY INSTRUCTIONS

STEP 29 Install electrical socket components.

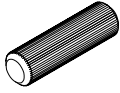
F Flat Head Screw
M3.5X14 *2

K American Style
Socket*1

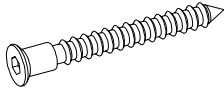


ASSEMBLY INSTRUCTIONS

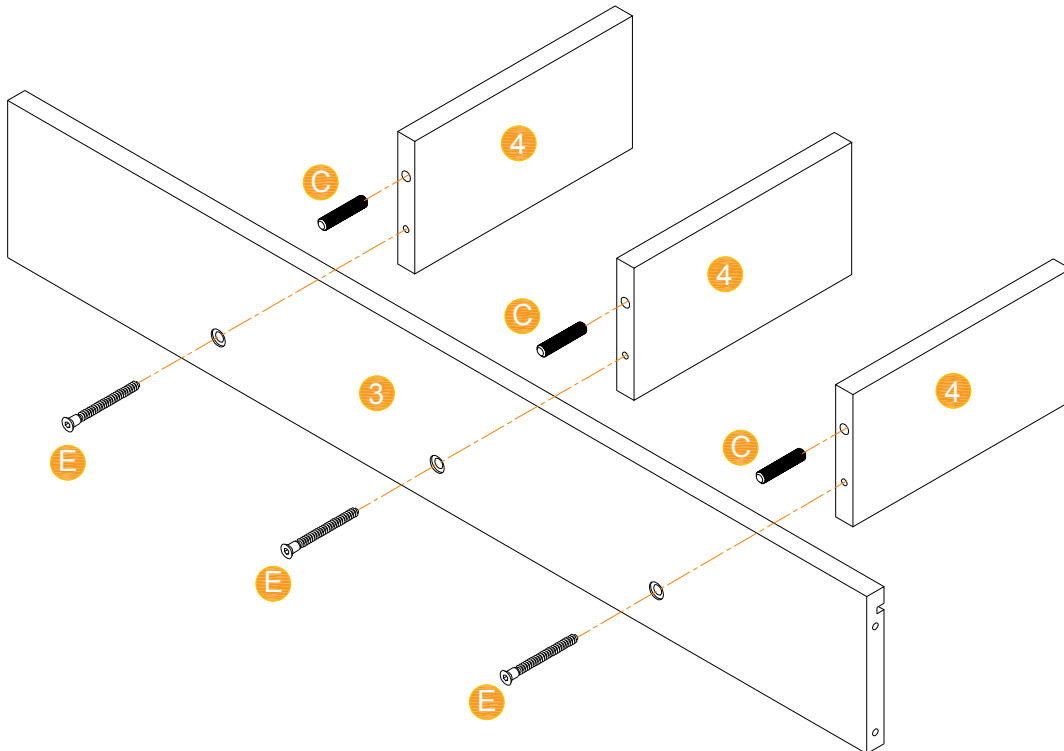
STEP 30 Insert two WOOD DOWELS at Top Shelf (#4). and then assemble Top Vertical Panel-Outside(#3) as show



C Wood Dowel
6X30mm*6



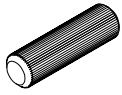
E Hex Head Screw
M5X46 *6



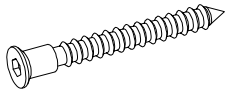
X2

ASSEMBLY INSTRUCTIONS

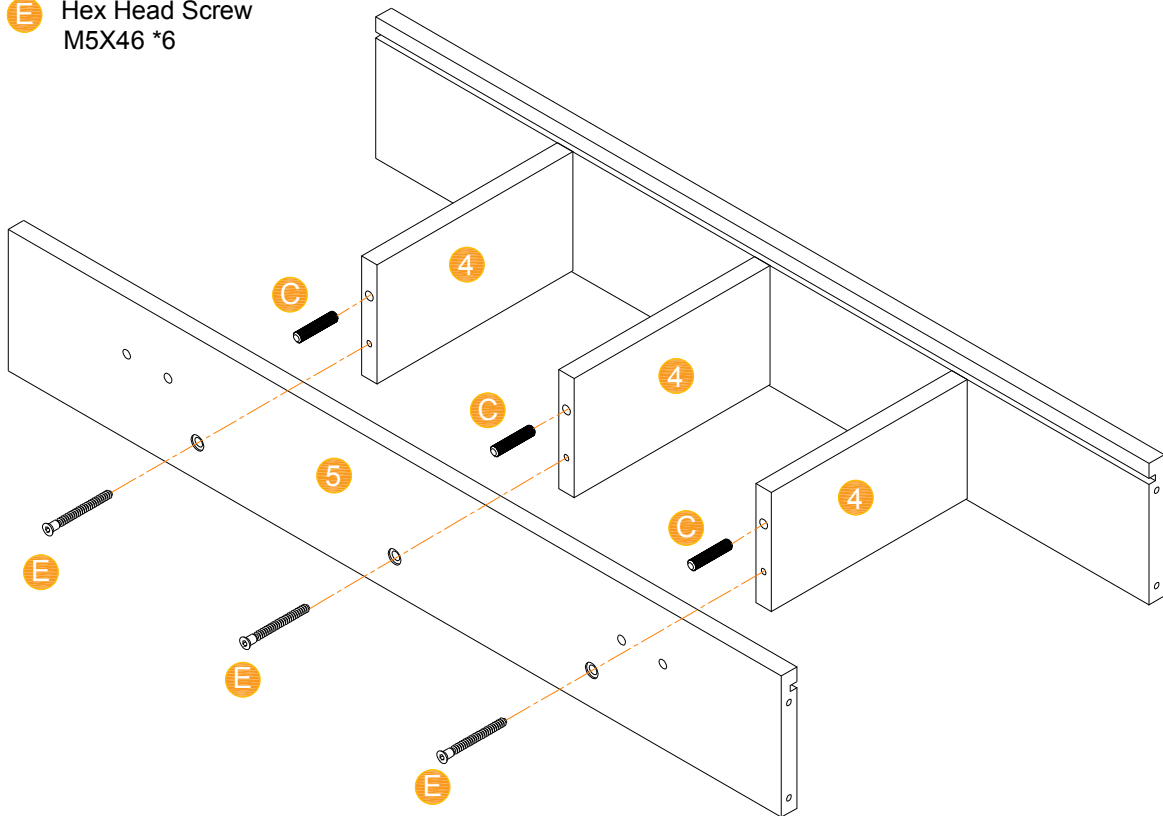
STEP 31 Insert two WOOD DOWELS at Top Shelf (#4). and then assemble Top Vertical Panel-Inside(#5) as show



C Wood Dowel
6X30mm*6



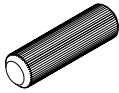
E Hex Head Screw
M5X46 *6



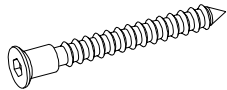
X2

ASSEMBLY INSTRUCTIONS

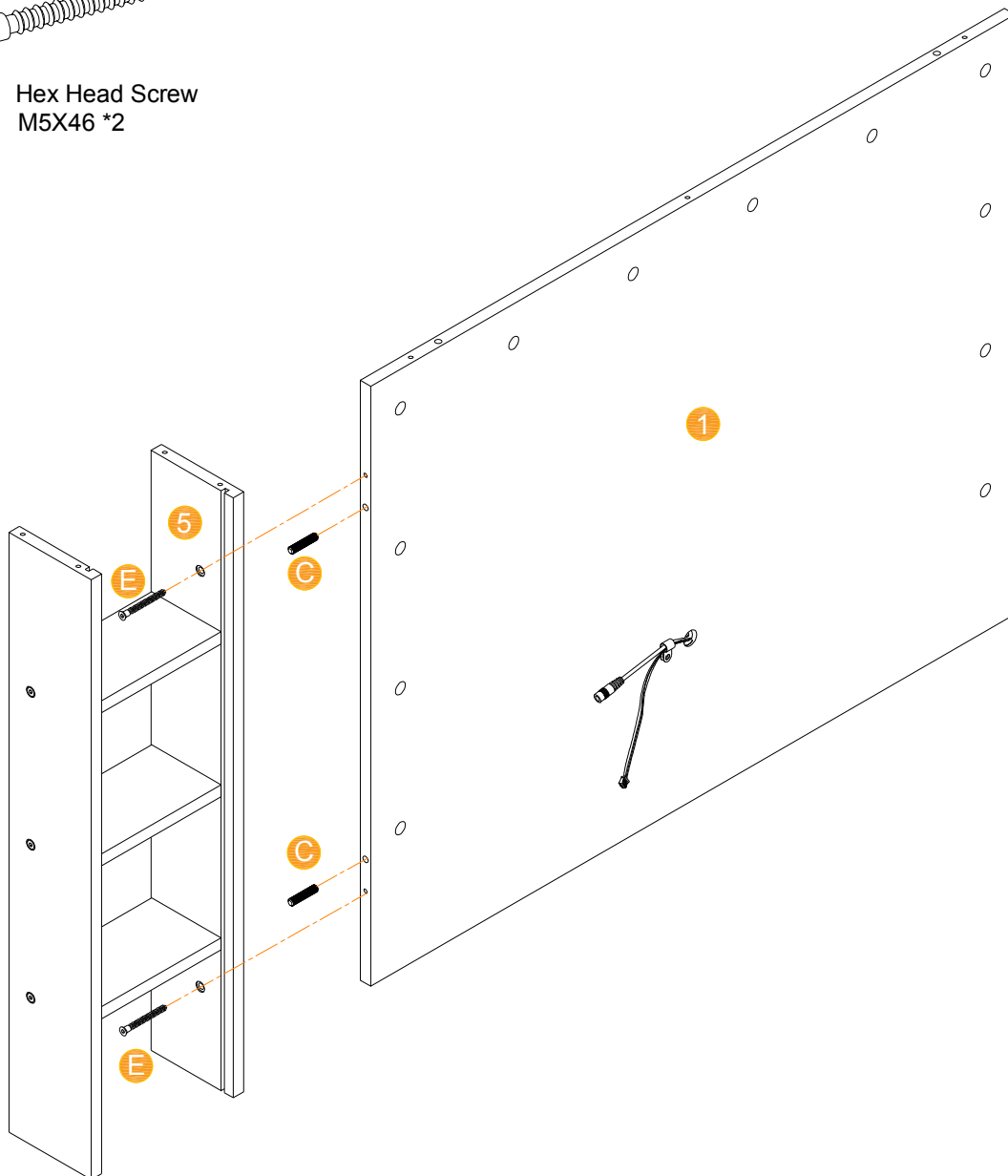
STEP 32 Insert two WOOD DOWELS at Front Panel (#1), and then assemble as show



C Wood Dowel
6X30mm*2

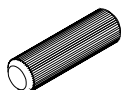


E Hex Head Screw
M5X46 *2

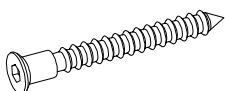


ASSEMBLY INSTRUCTIONS

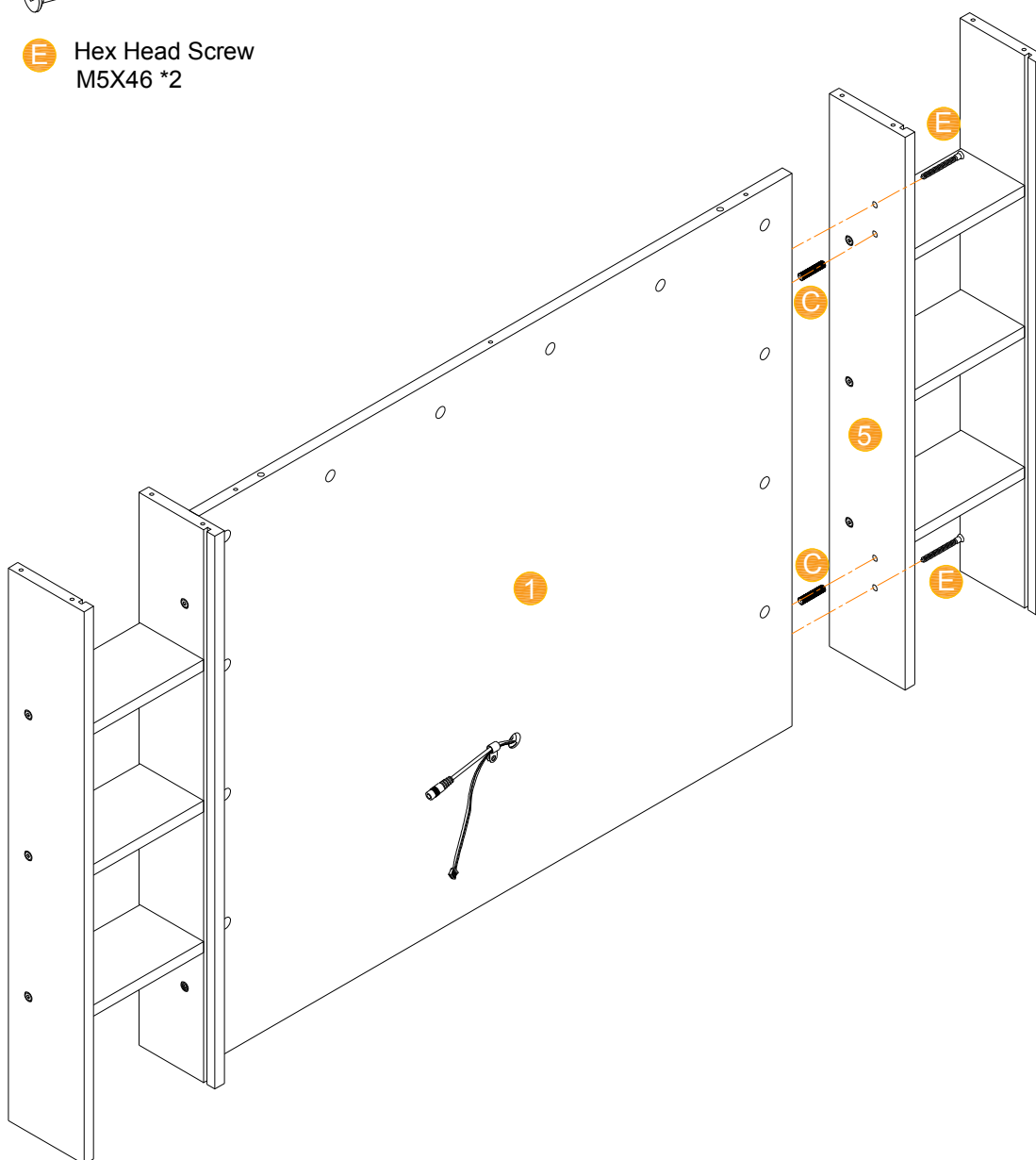
STEP 33 Insert two WOOD DOWELS at Front Panel (#1). and then assemble as show



C Wood Dowel
6X30mm*2

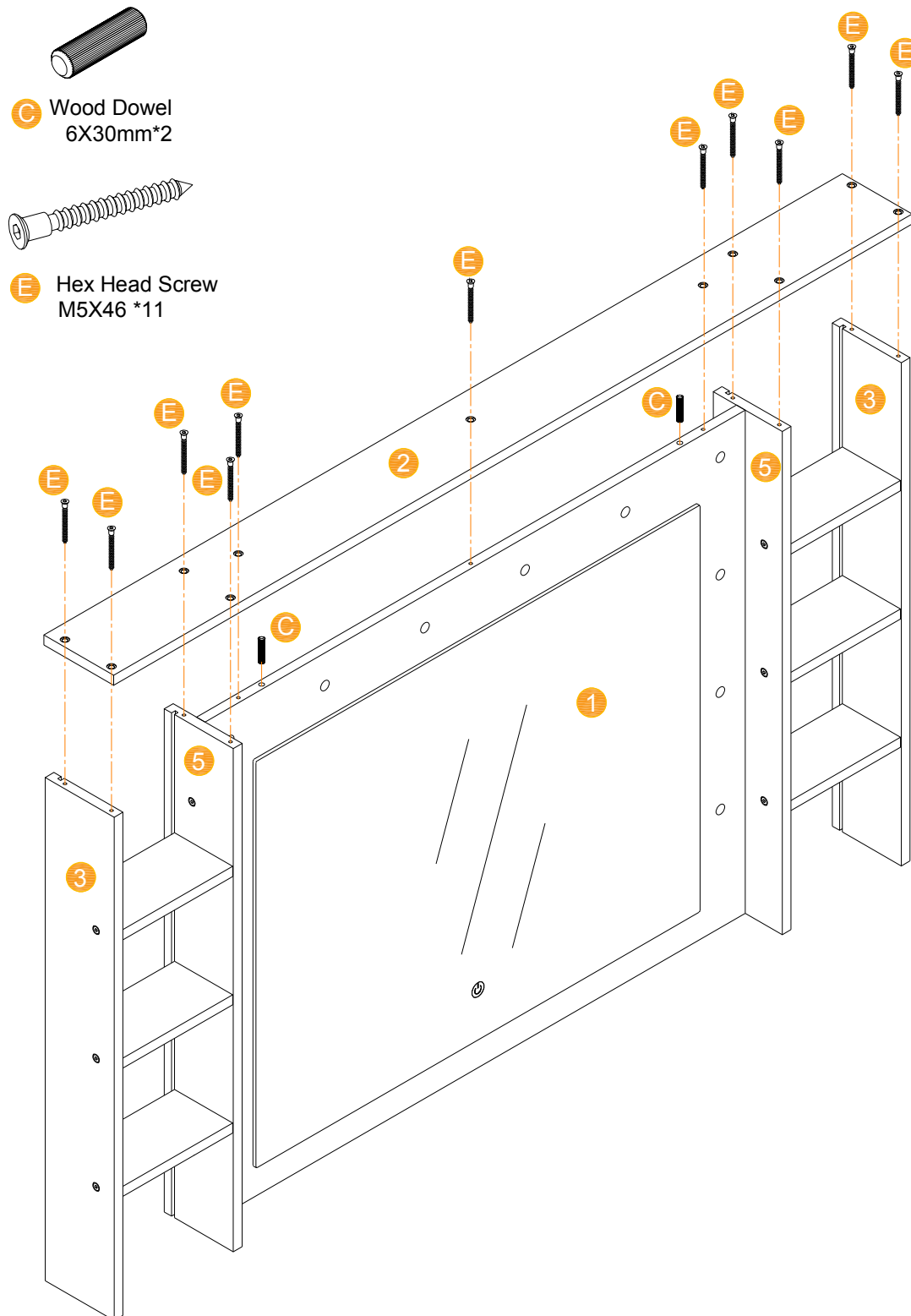


E Hex Head Screw
M5X46 *2



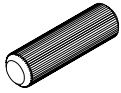
ASSEMBLY INSTRUCTIONS

STEP 34 Insert two WOOD DOWELS at Front Panel (#1). and then assemble Top Panel (#2)

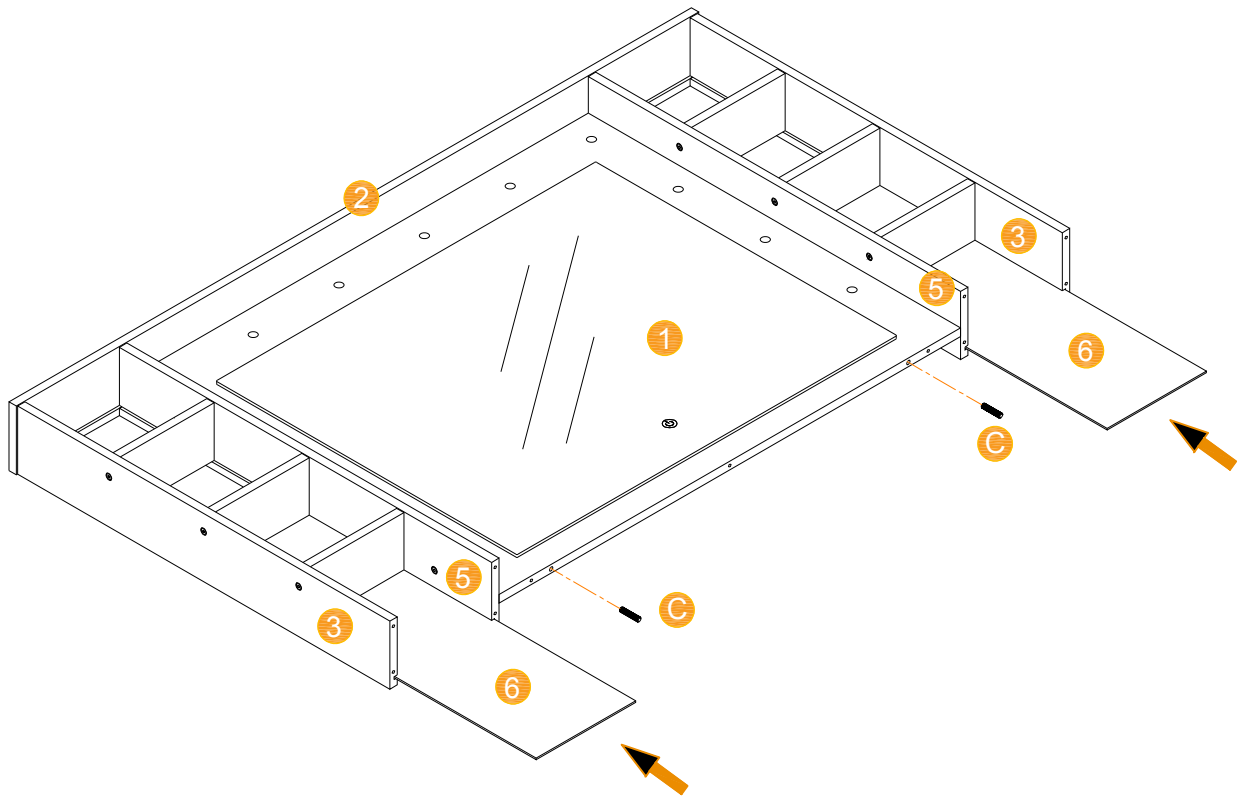


ASSEMBLY INSTRUCTIONS

STEP 35 Insert Top-Back Panel (#6) into groove channel. and then Insert two WOOD DOWELS at Panel #1

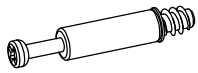


C Wood Dowel
6X30mm*2

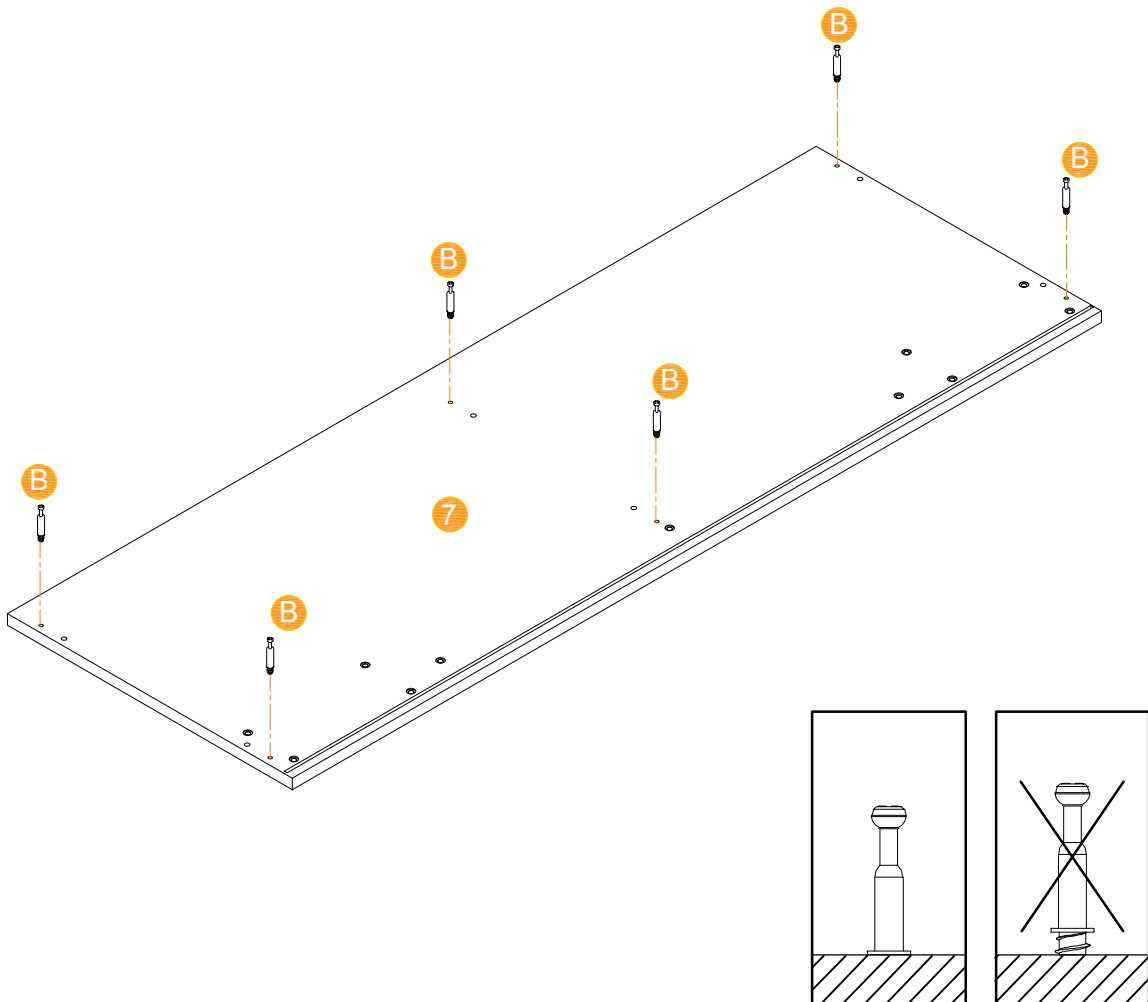


ASSEMBLY INSTRUCTIONS

STEP 36 Secure seven CAM SCREWS per Surface Panel(#7)

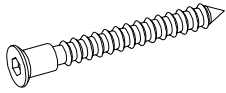


B Cam Screw*6

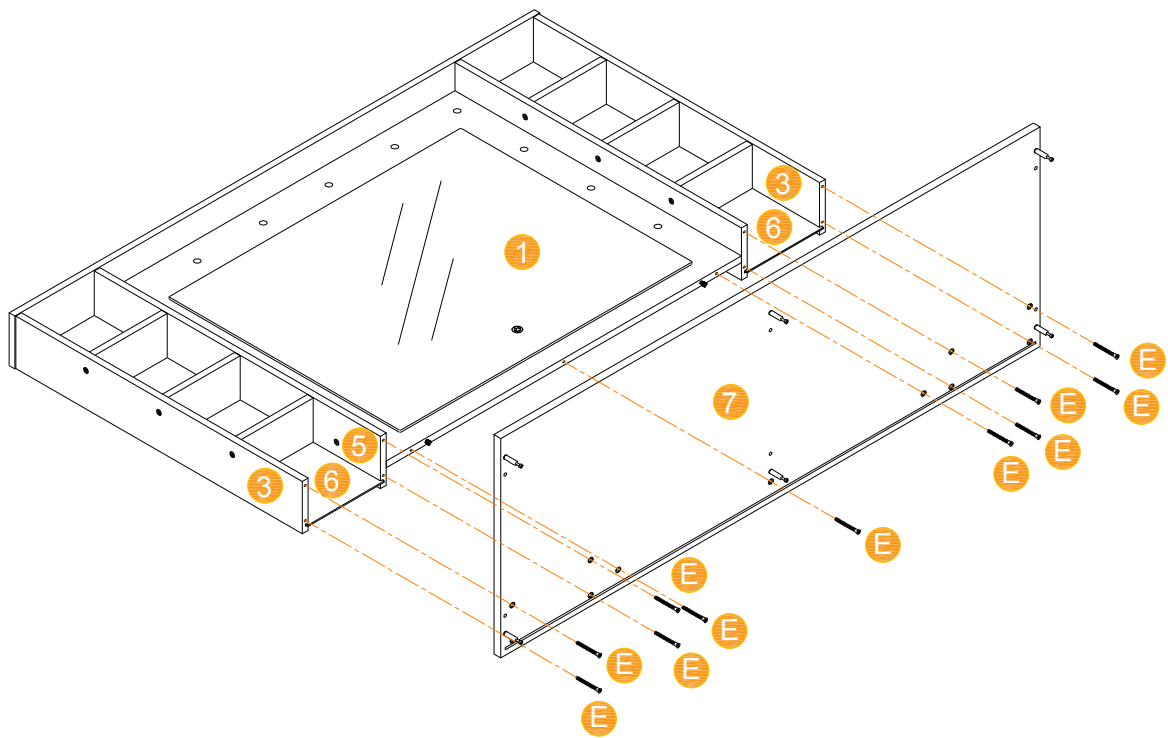


ASSEMBLY INSTRUCTIONS

STEP 37 Secure Surface Panel(#7)



E Hex Head Screw
M5X46 *11




ASSEMBLY INSTRUCTIONS


STEP 38 Install rails CL and CR onto the Left Horizontal Panel (Panel #9) and Right Horizontal Panel (Panel #11) respectively.

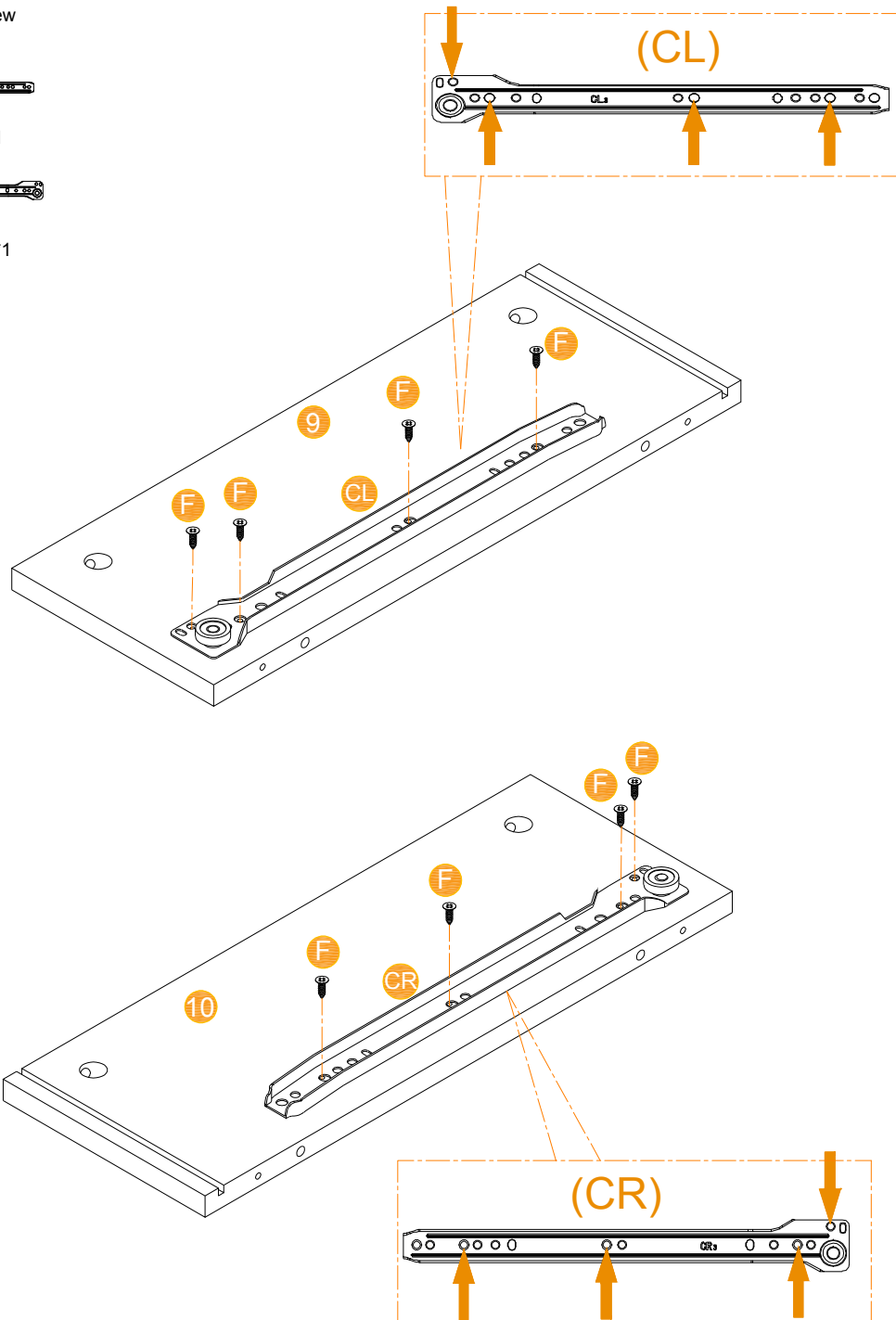
Notes:

Orient the roller-equipped ends of rails CL/CR toward the non-grooved sides of panels, aligning mounting holes as illustrated


F Flat Head Screw
M3.5X14 *8


CL L=12"
Cabinet Left *1


CR L=12"
Cabinet Right*1

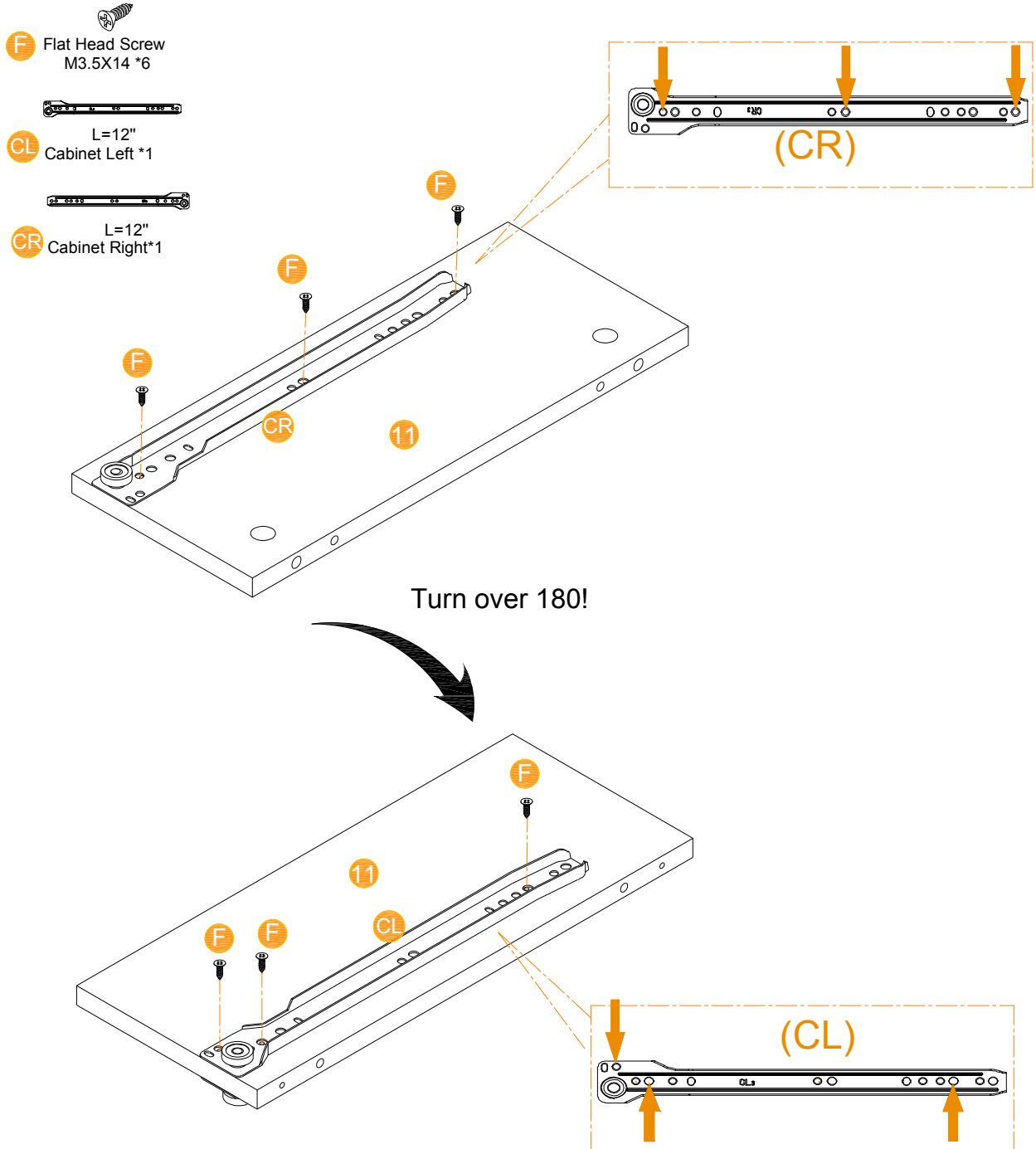


ASSEMBLY INSTRUCTIONS

STEP 39 Install rails CL and CR onto the Middle Horizontal Panel (Panel #11) both sides respectively.

Notes:

Orient the roller-equipped ends of rails CL/CR toward the non-grooved sides of panels, aligning mounting holes as illustrated

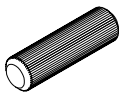


ASSEMBLY INSTRUCTIONS

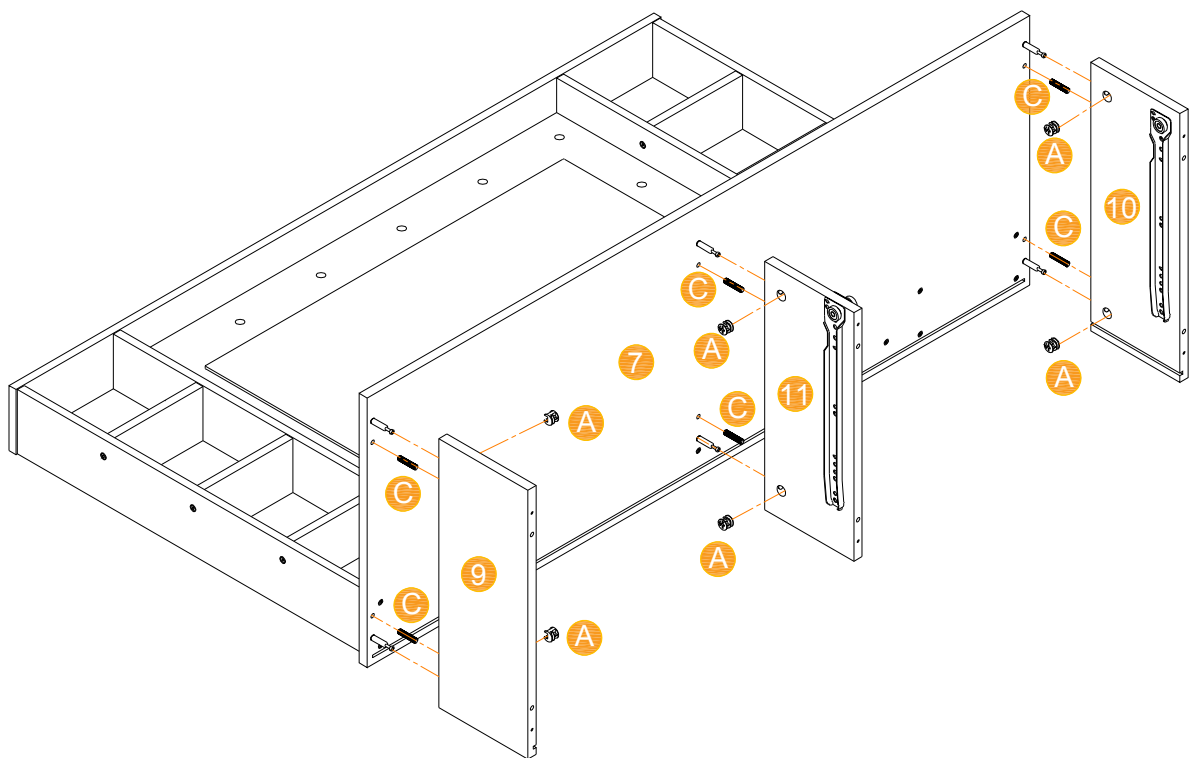
STEP 40 Assemble Panel (#9) ,Panel (#10), Panel (#11) as show



A Large Hidden Cam*6

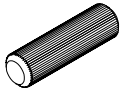


C Wood Dowel
6X30mm*6

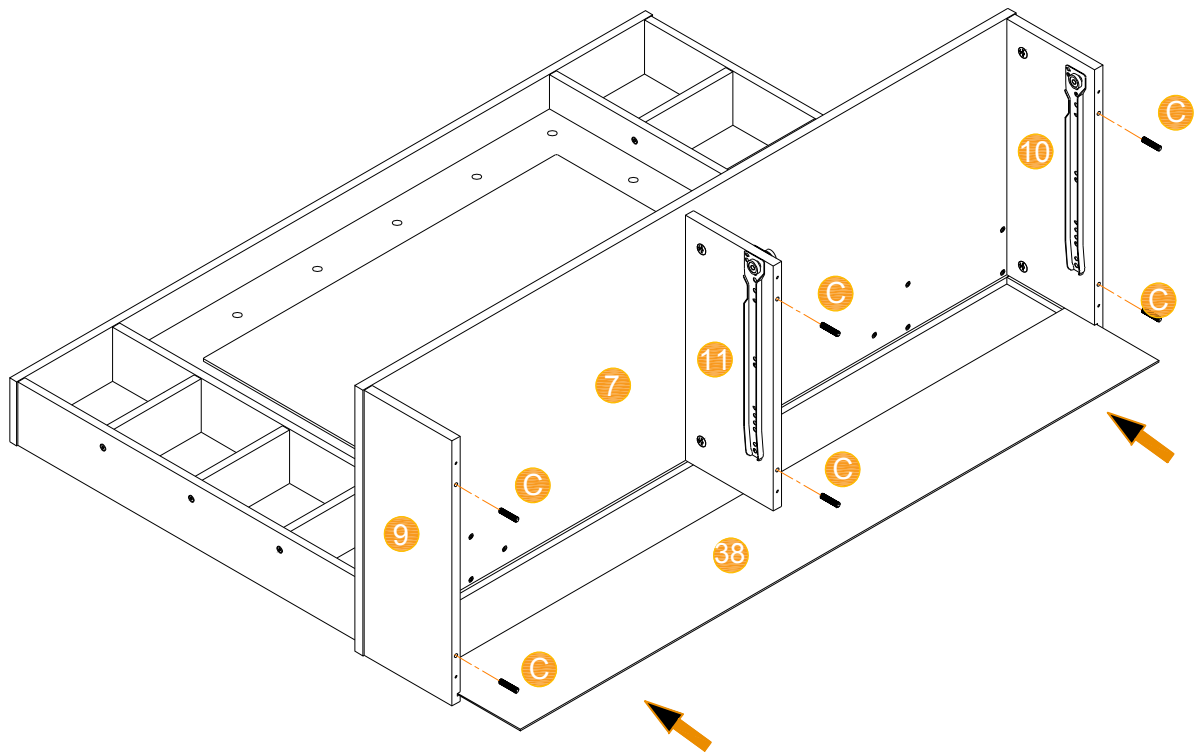


ASSEMBLY INSTRUCTIONS

STEP 41 Insert Middle-Back Panel (#38) into groove channel. and then Insert two WOOD DOWELS at Panel #9, #10, #11 as show.

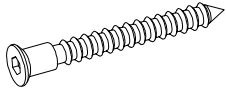


C Wood Dowel
6X30mm*6

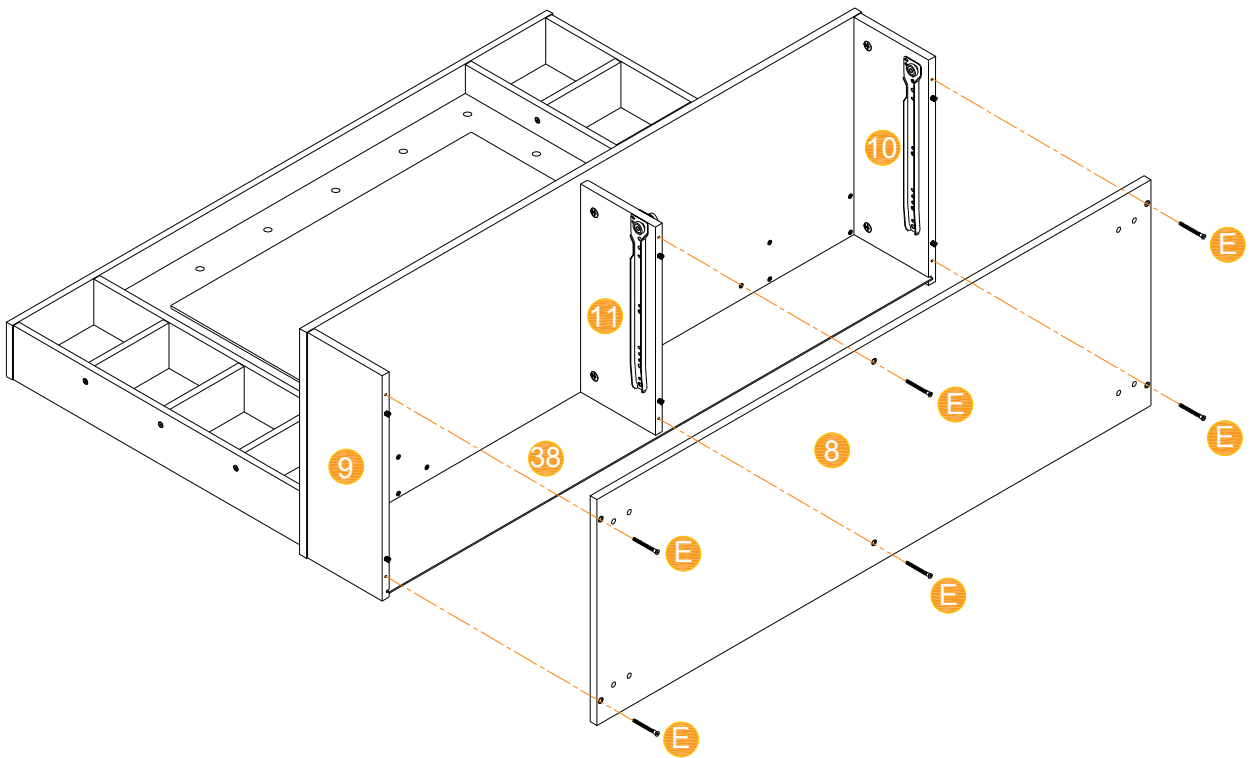


ASSEMBLY INSTRUCTIONS

STEP 42 Secure Bottom Panel (#8)



E Hex Head Screw
M5X46 *6




ASSEMBLY INSTRUCTIONS

STEP 43 Secure Support Bar (#20) and assemble Right sheft as show

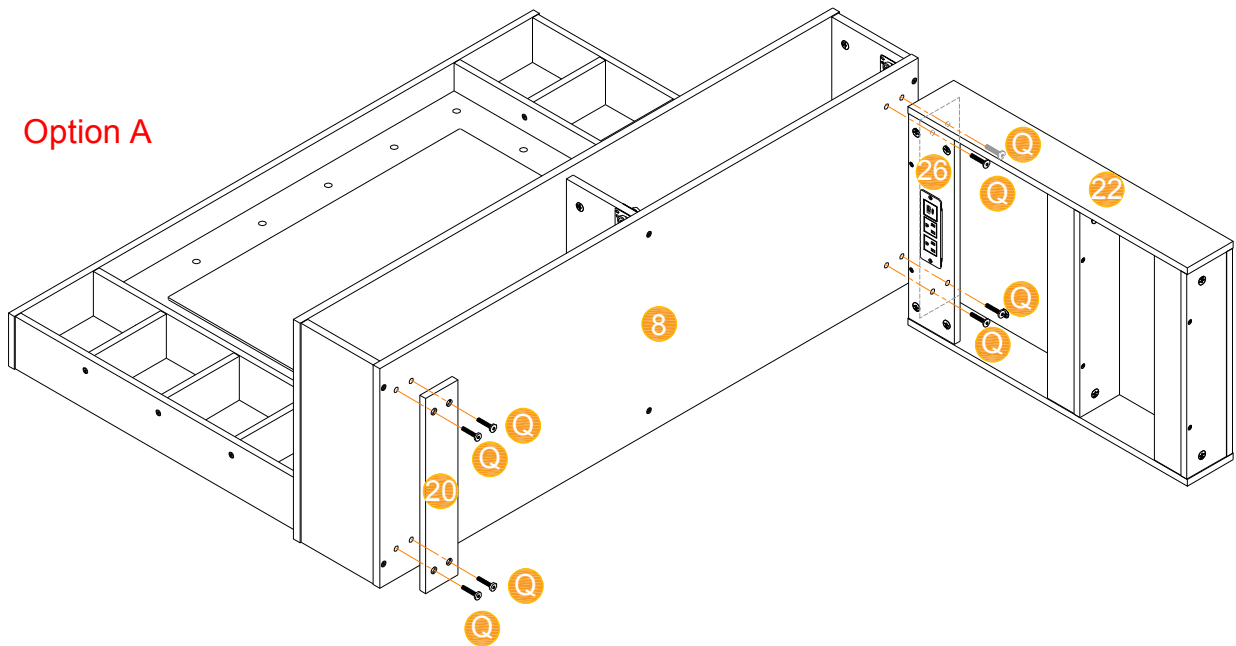
Notes:

The leg frame assembly can be assembled on the left or right side as you wish (Option A or Option B), According to your needs, choose one of the following two installation methods to install. Thank you!

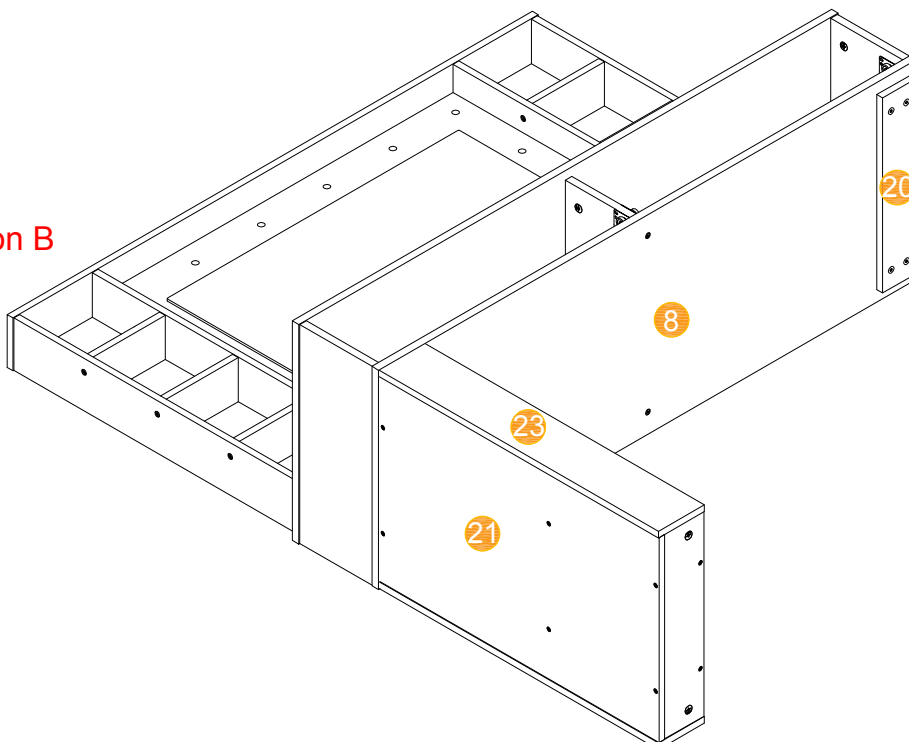


 Hex Head Screw
M6X20mm *8

Option A



Option B

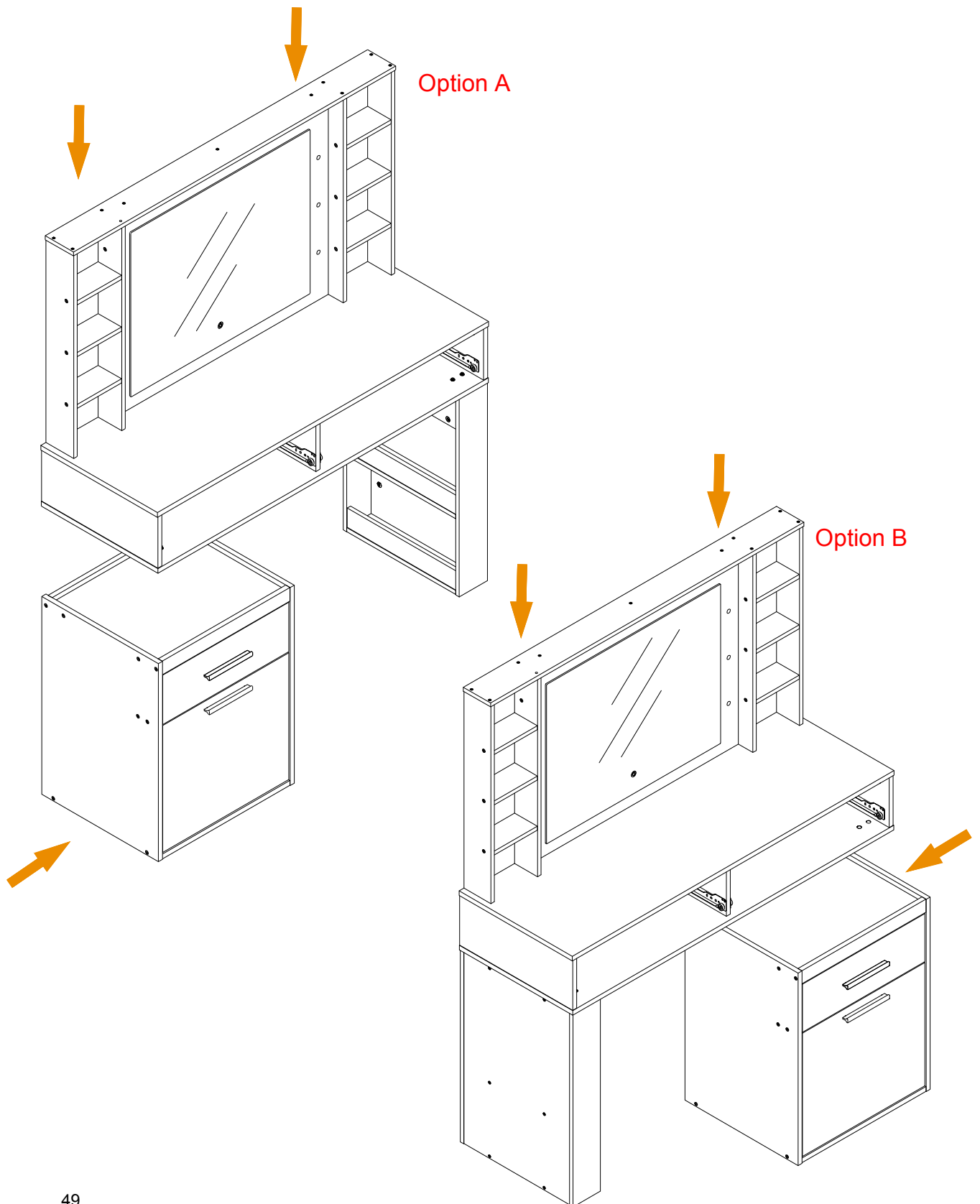


ASSEMBLY INSTRUCTIONS

STEP 44 Install the cluster with drawers

Notes:

You can adjust the position of the drawer leg assembly to your desired position (see next step).



ASSEMBLY INSTRUCTIONS

STEP 45 Adjust the position of the drawer cabinet to your desired position and then fix as instruction.



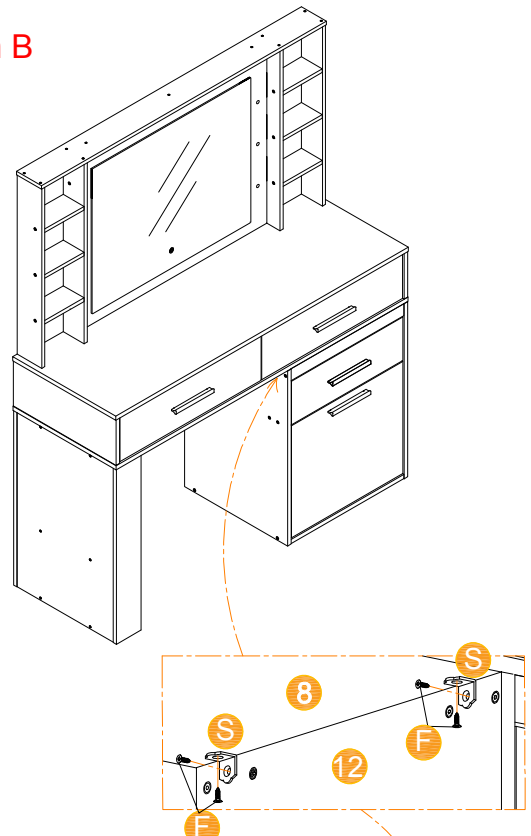
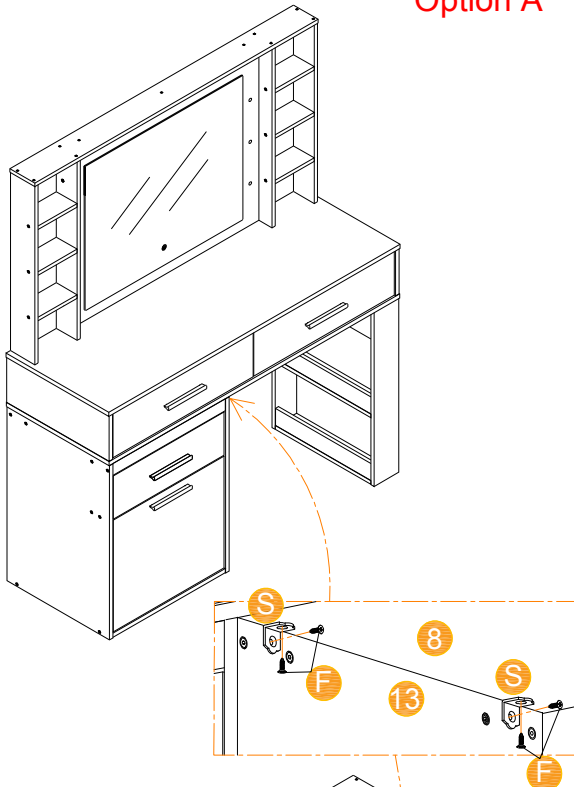
F Flat Head Screw M3.5X14 *2



S L Bracket Corner*2

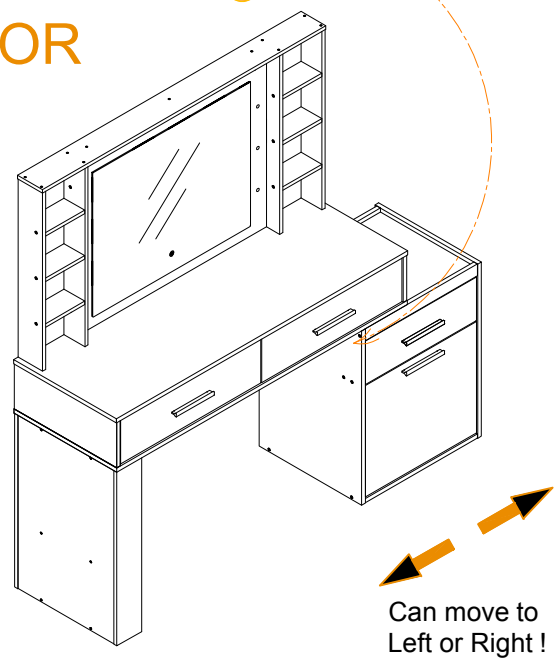
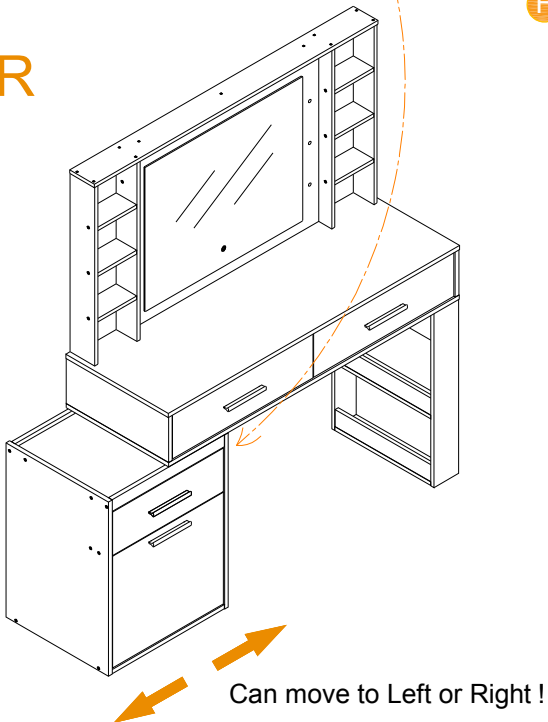
Option A

Option B



OR

OR



ASSEMBLY INSTRUCTIONS

STEP 46 Attach back panel connectors.

Note: Insert BACK CONNECTOR into rear panel slots per illustration.

J

J1

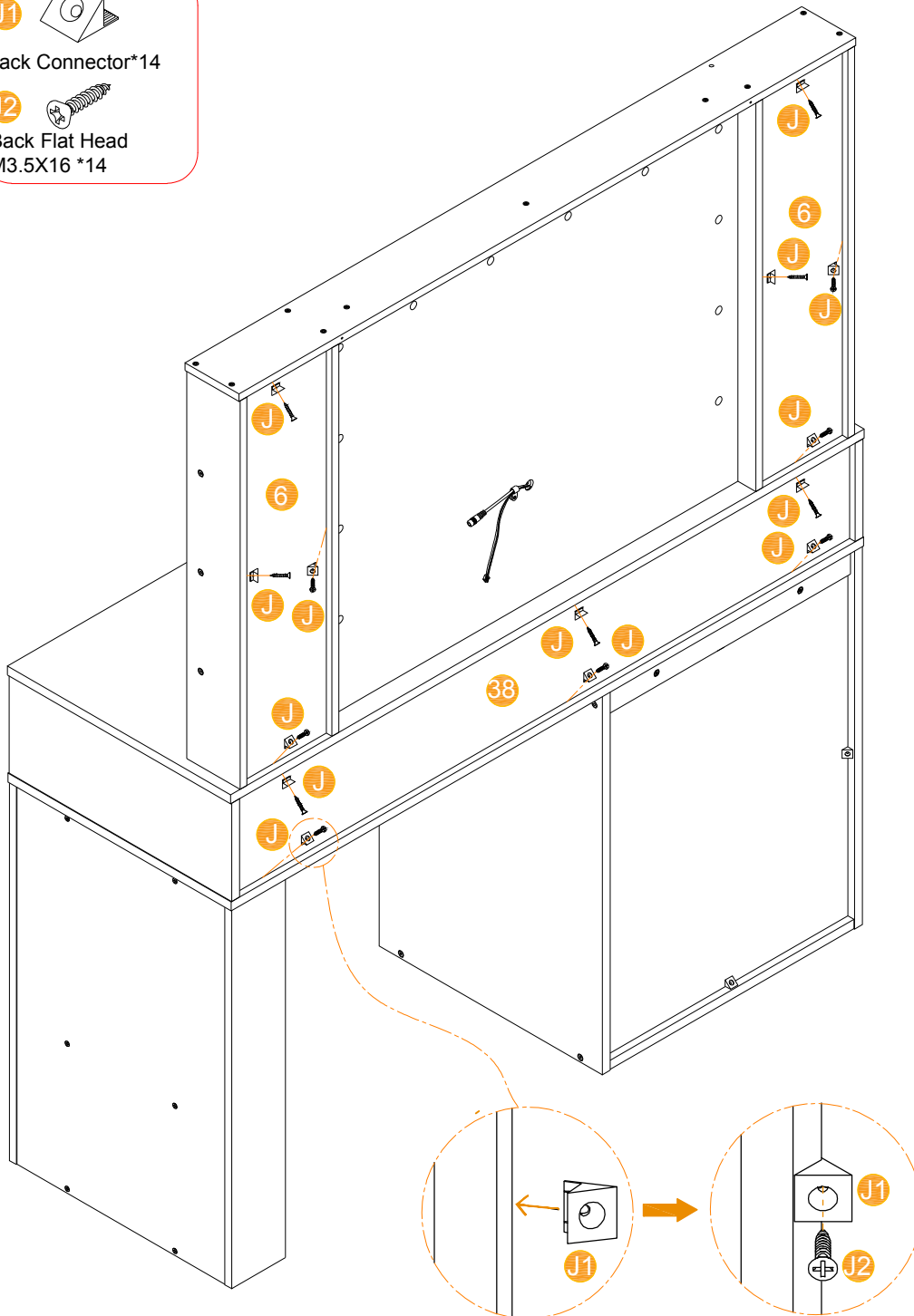


Back Connector*14

J2

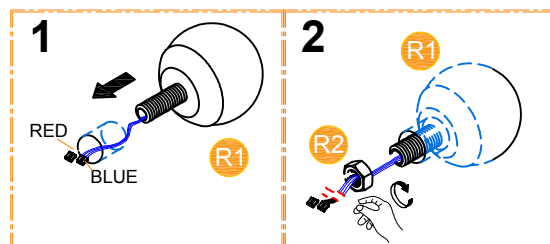
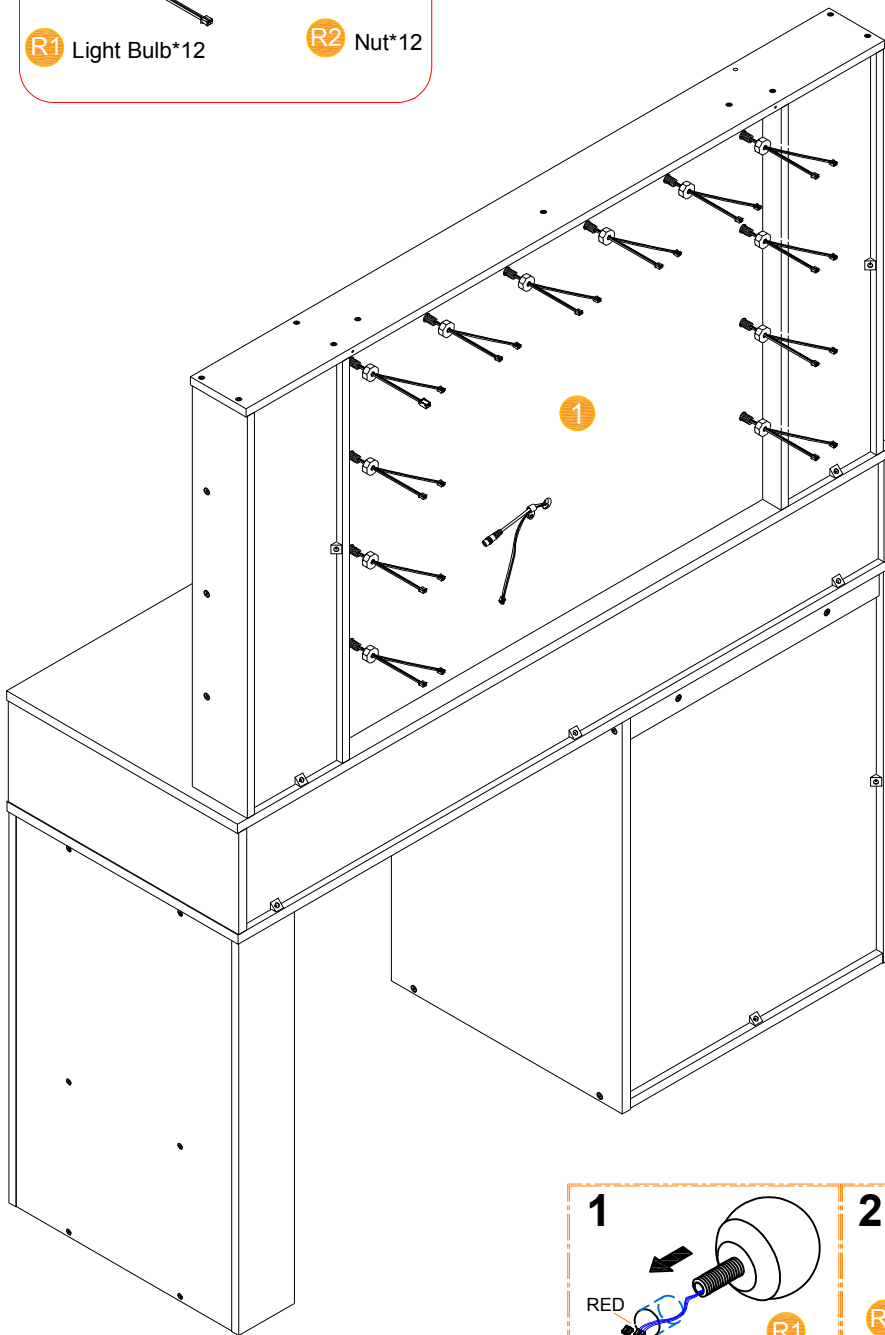
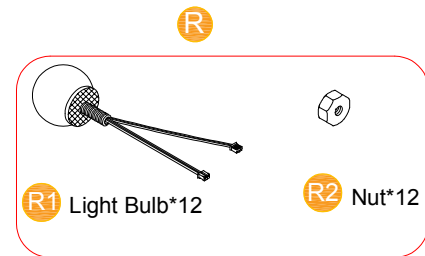


Back Flat Head
M3.5X16 *14



ASSEMBLY INSTRUCTIONS

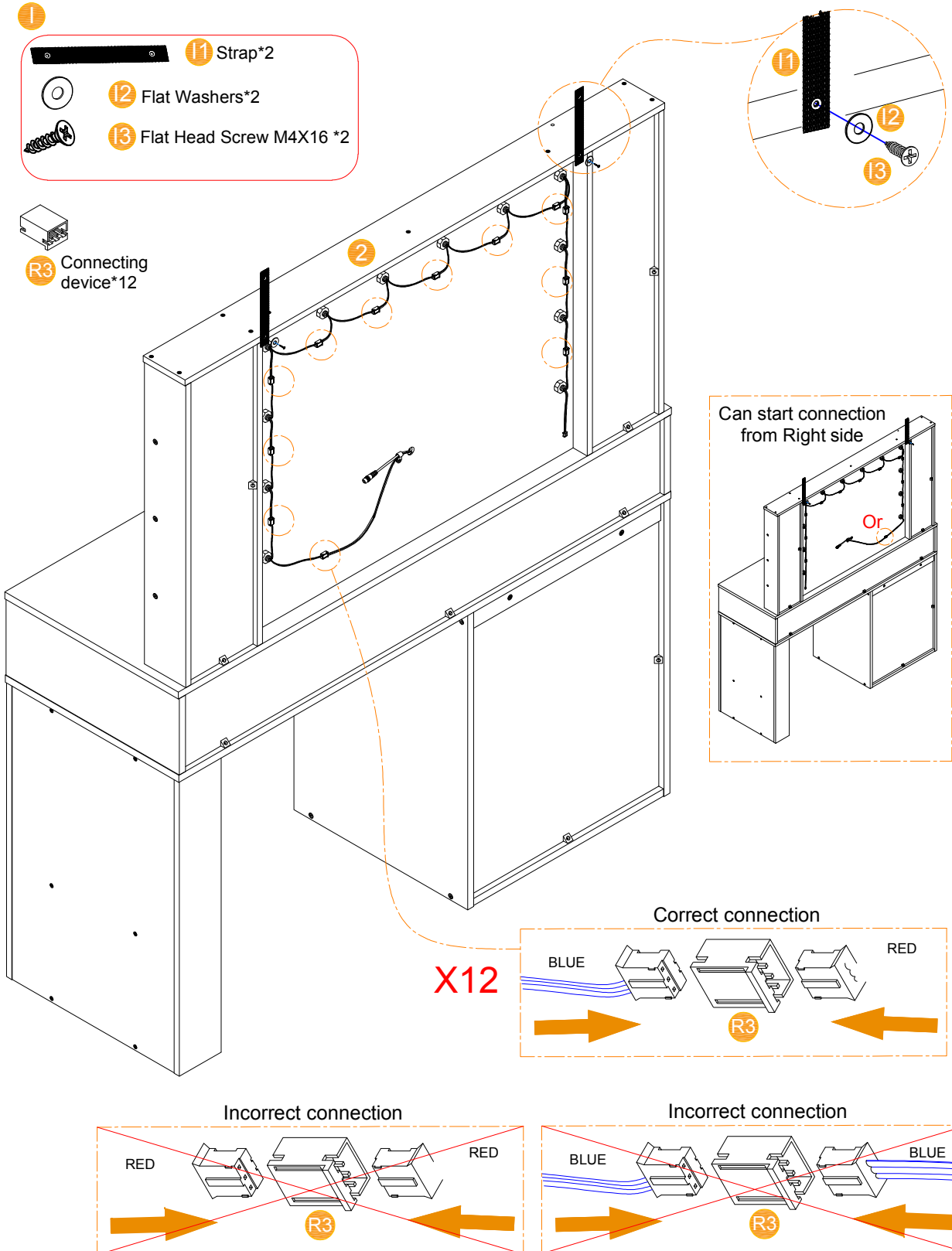
STEP 47 Install Light Bulb at the panel (#1), Use the Nut to fix Light Bulb



ASSEMBLY INSTRUCTIONS

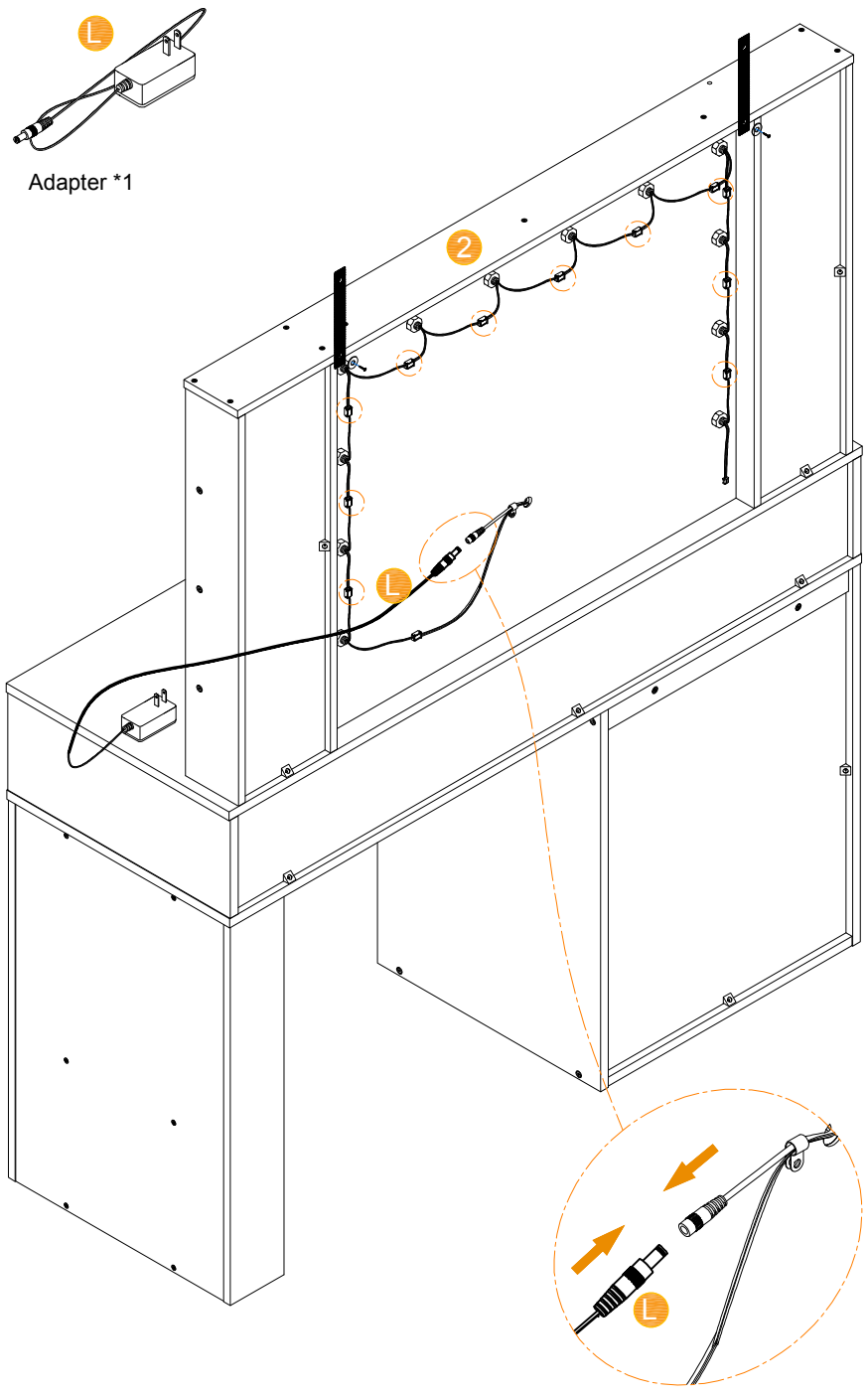
STEP 48 Connection Linght Buld and then Install Strap as show

Note: Connect two different colored wires together at every position.



ASSEMBLY INSTRUCTIONS

STEP 49 Install Adapter.

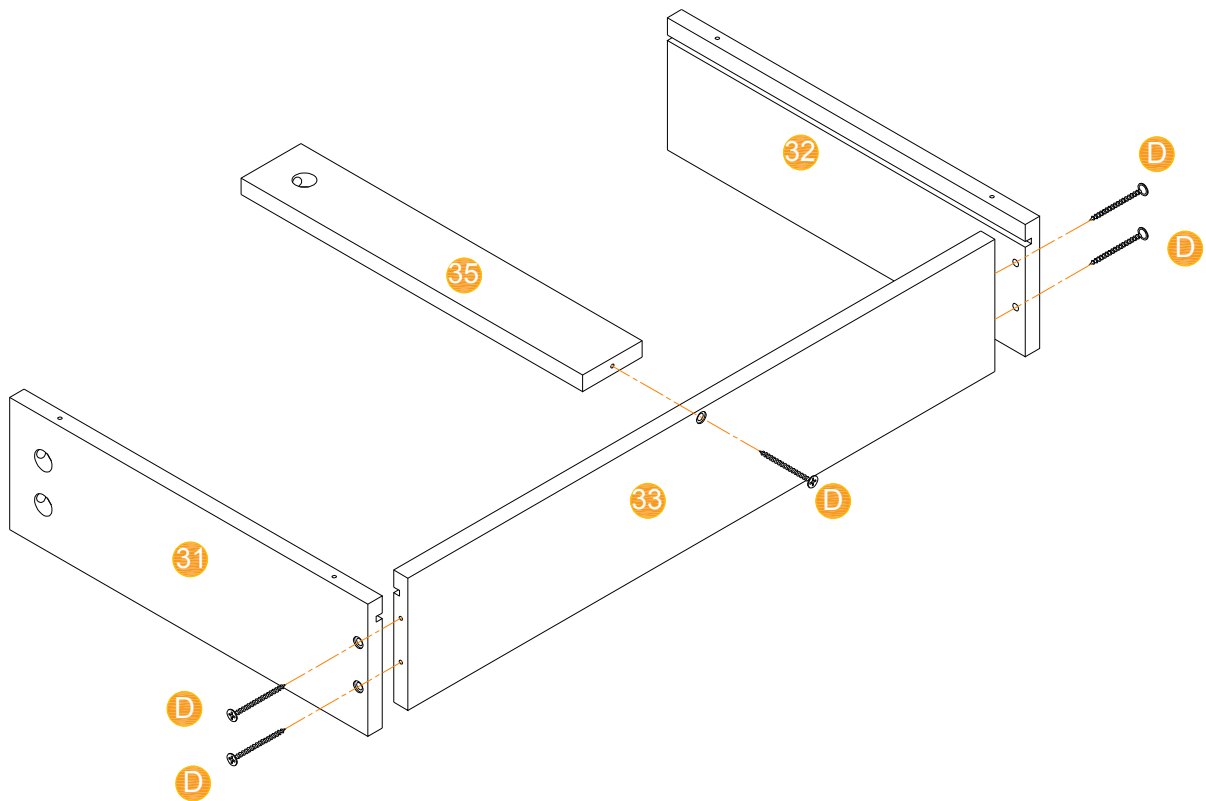


ASSEMBLY INSTRUCTIONS

STEP 50 Assemble Drawer Left Side Panel (#31), Drawer Right side Panel (#32) and Drawer Bottom Support (#35) to Drawer Back (Panel #33) with five self-tapping screws.



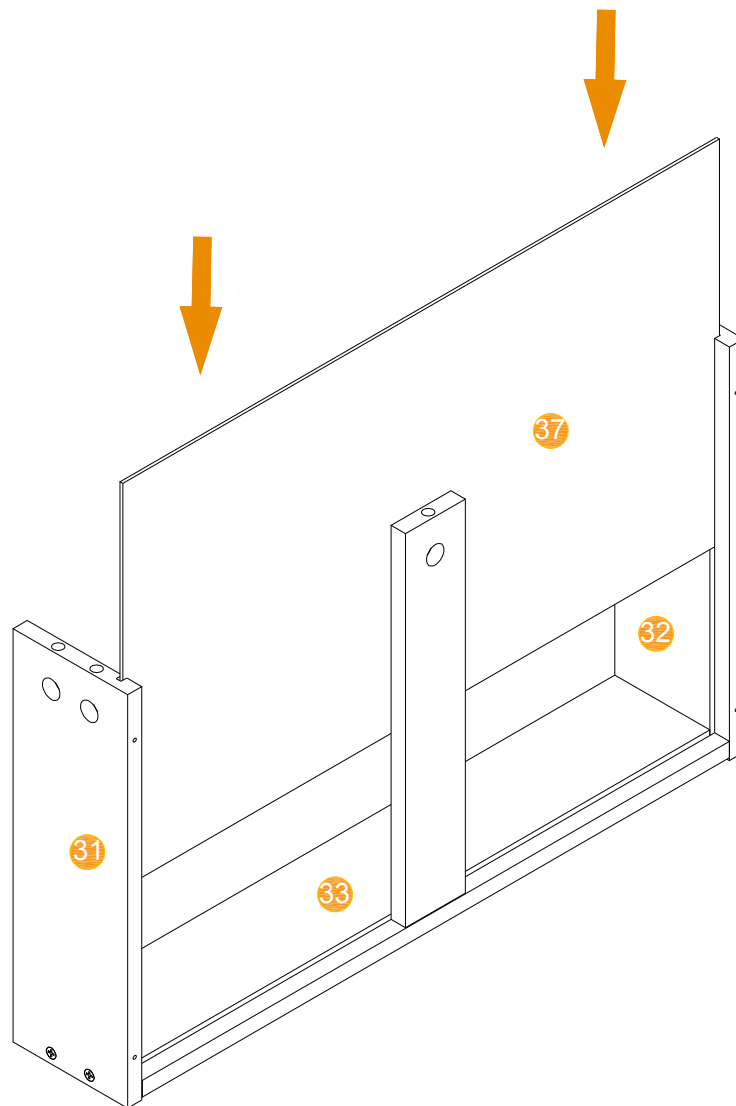
D Flat Head Screw
M4X30 *10



X2

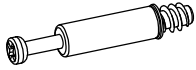
ASSEMBLY INSTRUCTIONS

- STEP 51** Insert Drawer Bottom Plate (Panel #37) into groove channels.

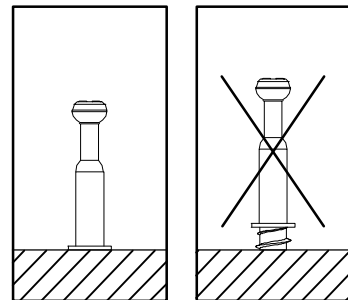
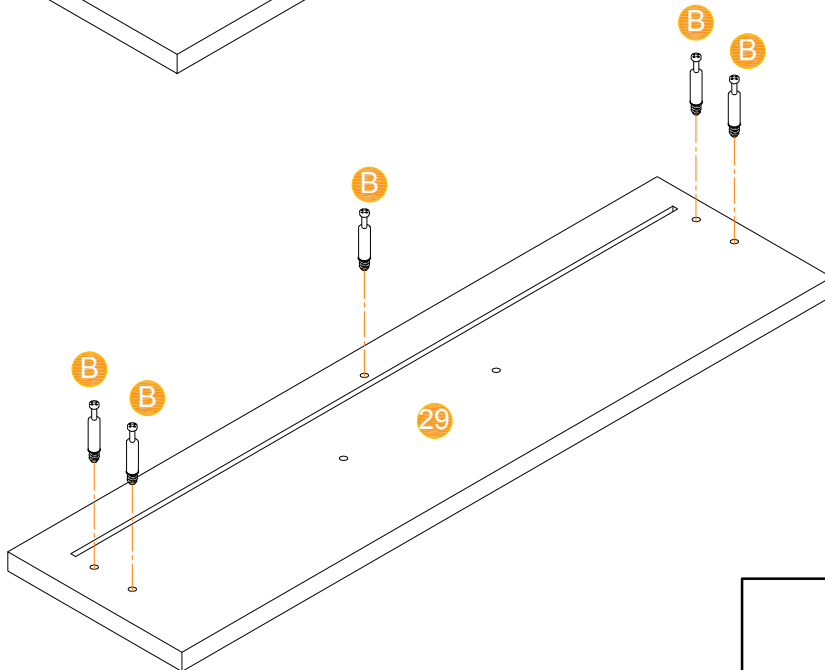
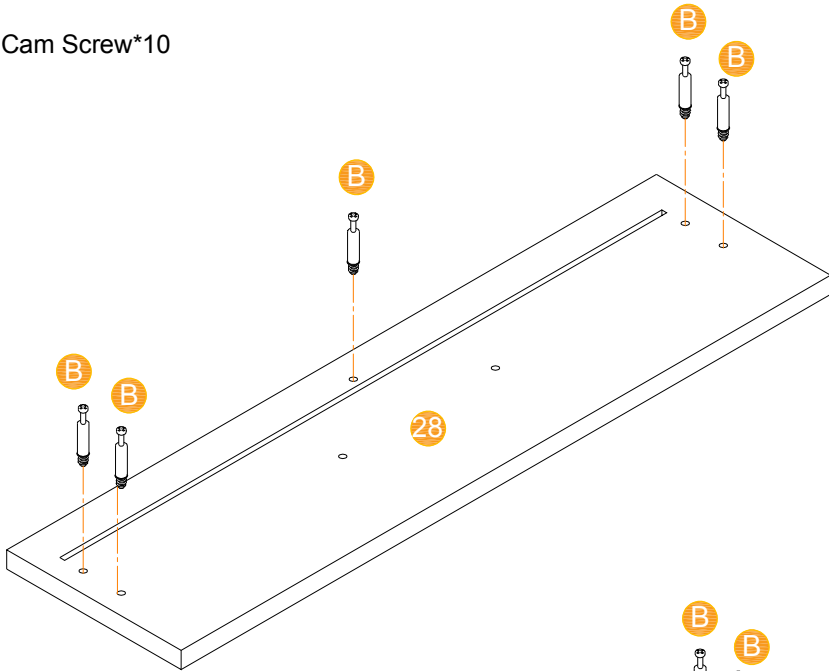
**X2**

ASSEMBLY INSTRUCTIONS

STEP 52 Secure four CAM SCREWS per Left Drawer Front (#28) and Right Drawer Front (#29)



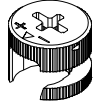
B Cam Screw*10



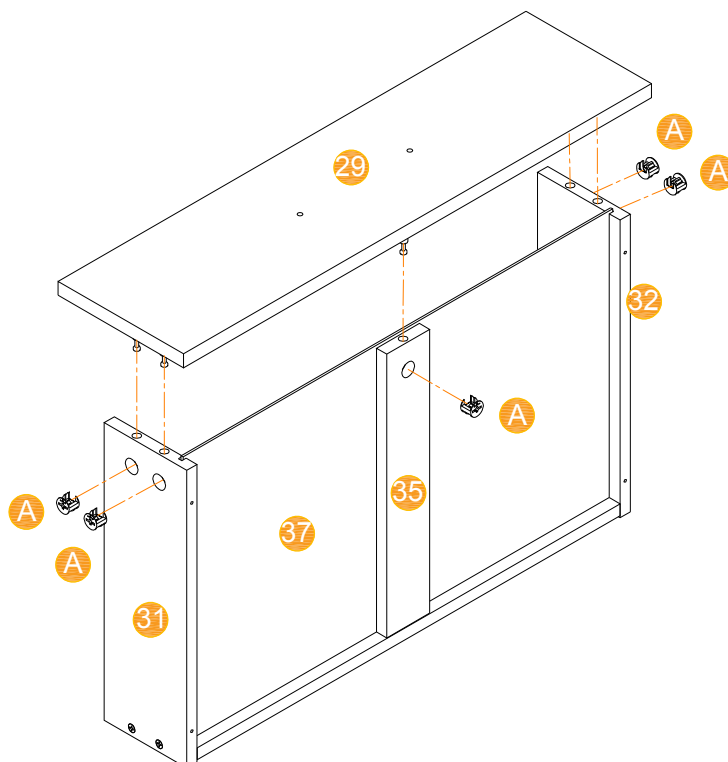
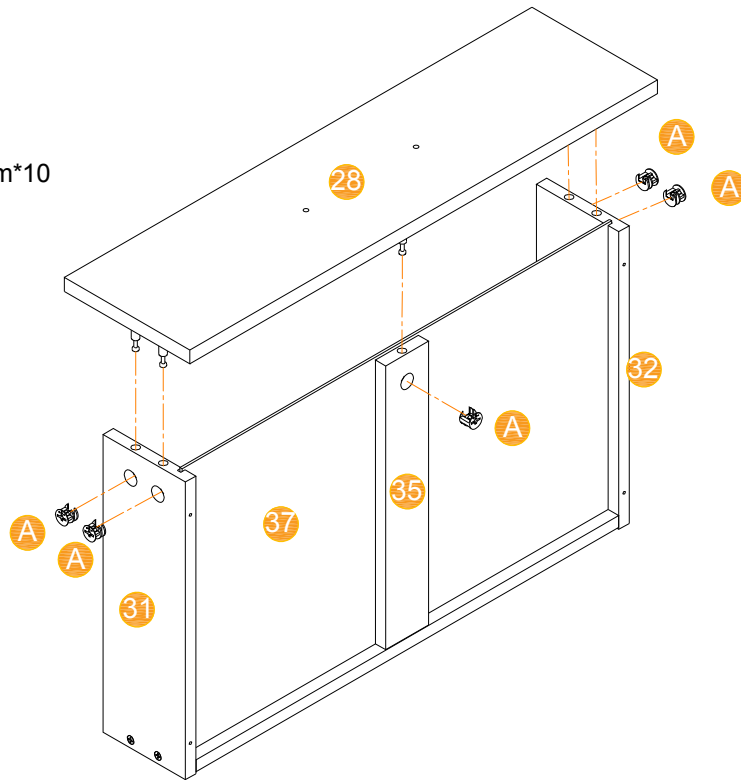
ASSEMBLY INSTRUCTIONS

STEP 53 Secure Front Stretcher #19 to Small Top Panel #15.

Note: Engage Panel #28's and Panel #29's channel with Panel #37



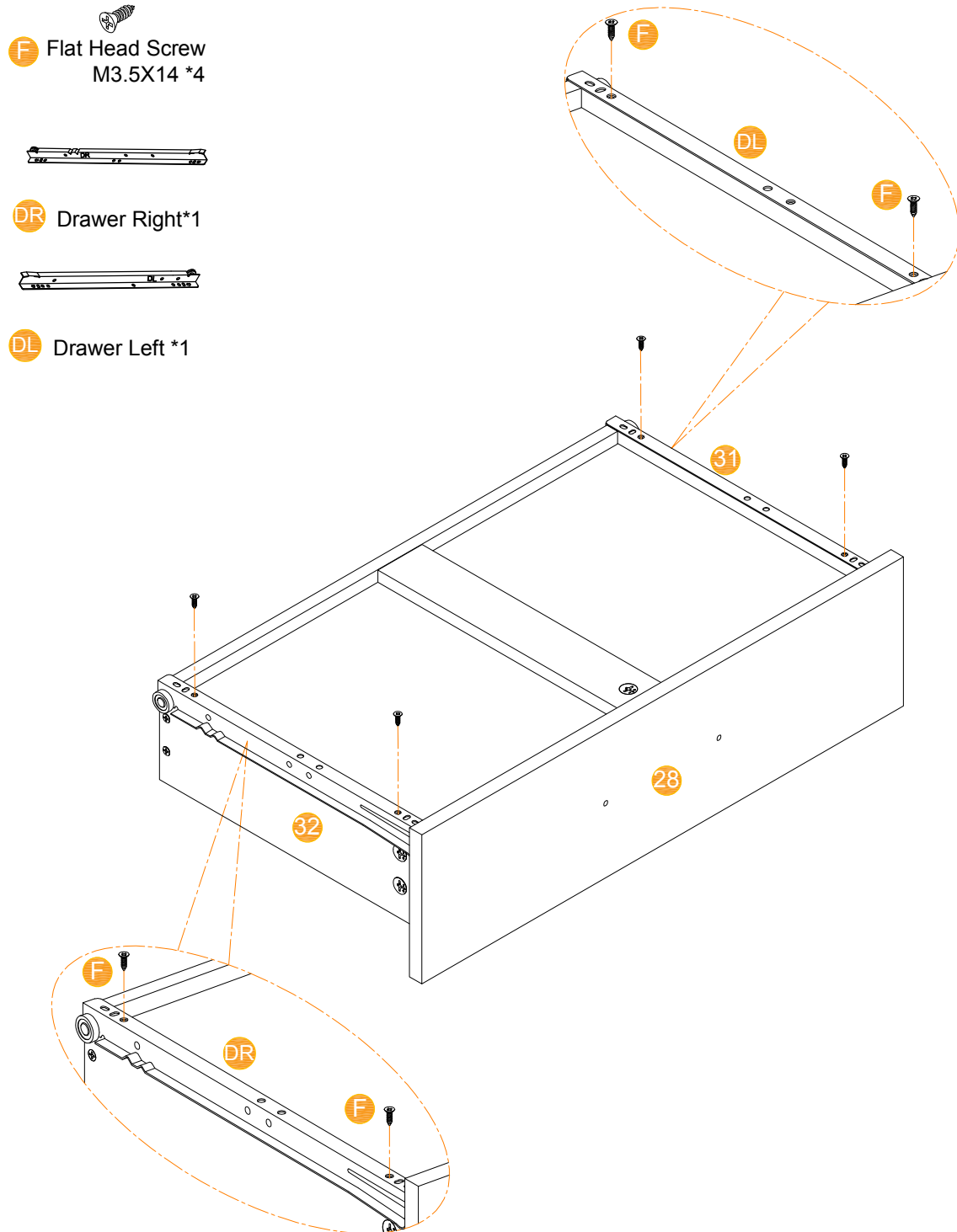
A Large Hidden Cam*10



ASSEMBLY INSTRUCTIONS

STEP 54 Invert drawer (back facing upward), install rails DL/DR.

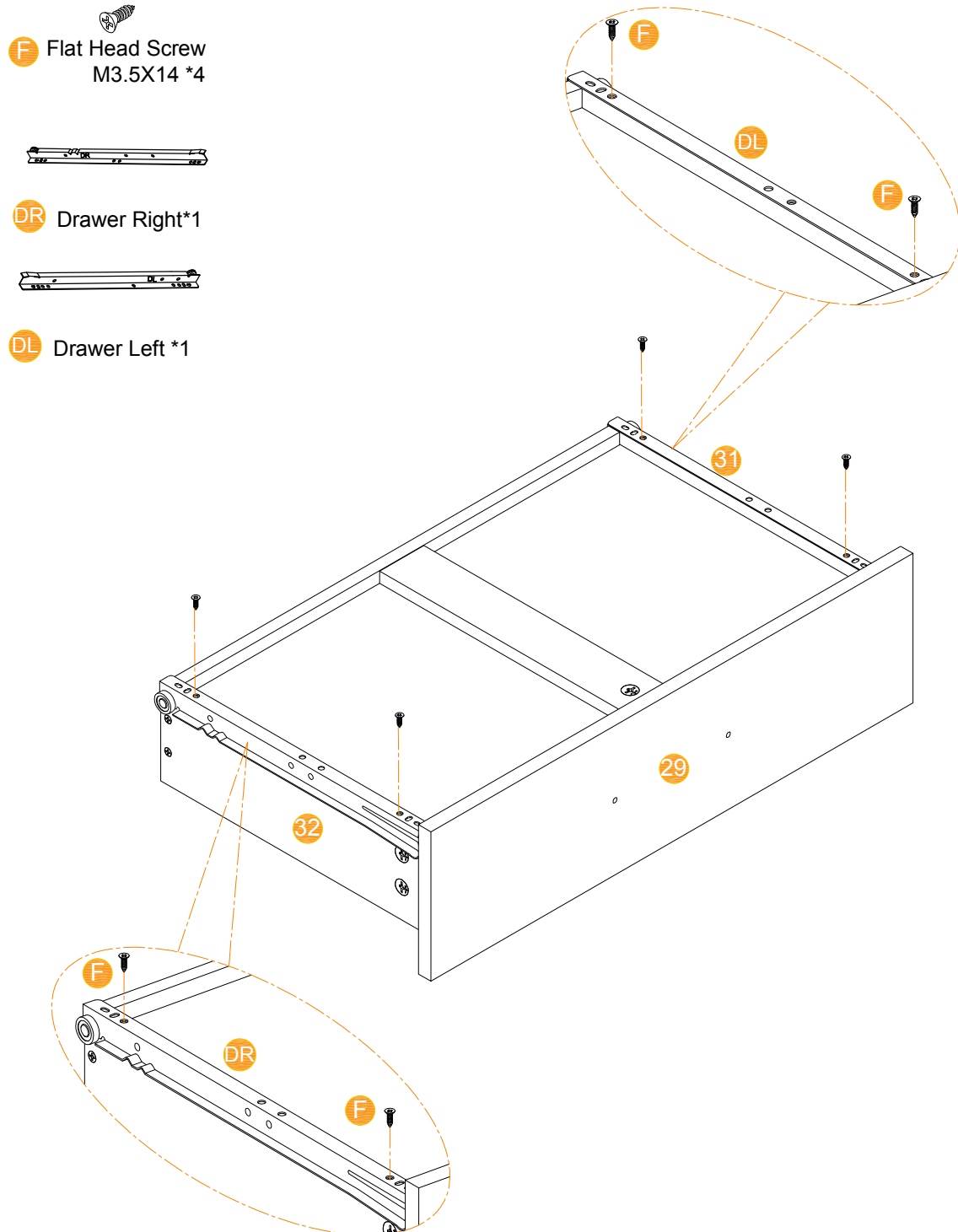
Note: Align roller ends toward drawer back, matching hole patterns as shown.



ASSEMBLY INSTRUCTIONS

STEP 55 Invert drawer (back facing upward), install rails DL/DR.

Note: Align roller ends toward drawer back, matching hole patterns as shown.



F Flat Head Screw
M3.5X14 *4



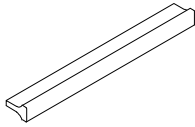
DR Drawer Right*1



DL Drawer Left *1

ASSEMBLY INSTRUCTIONS

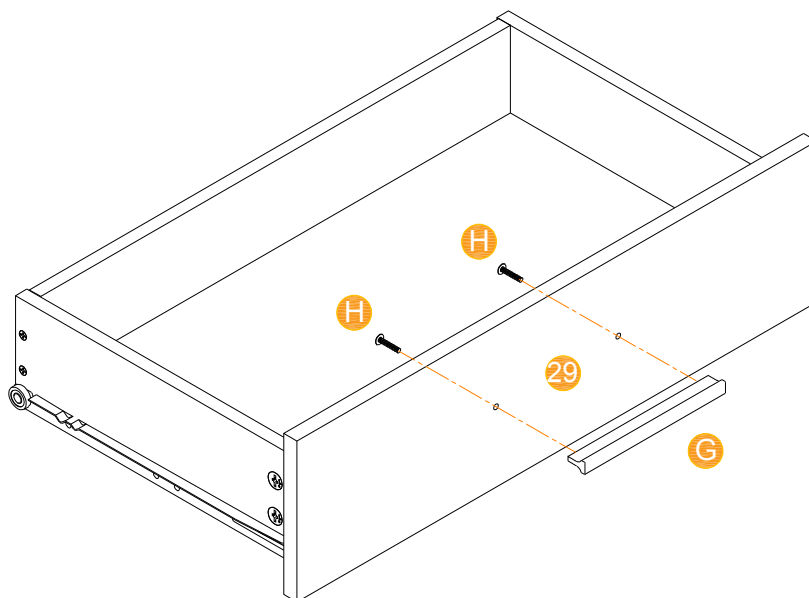
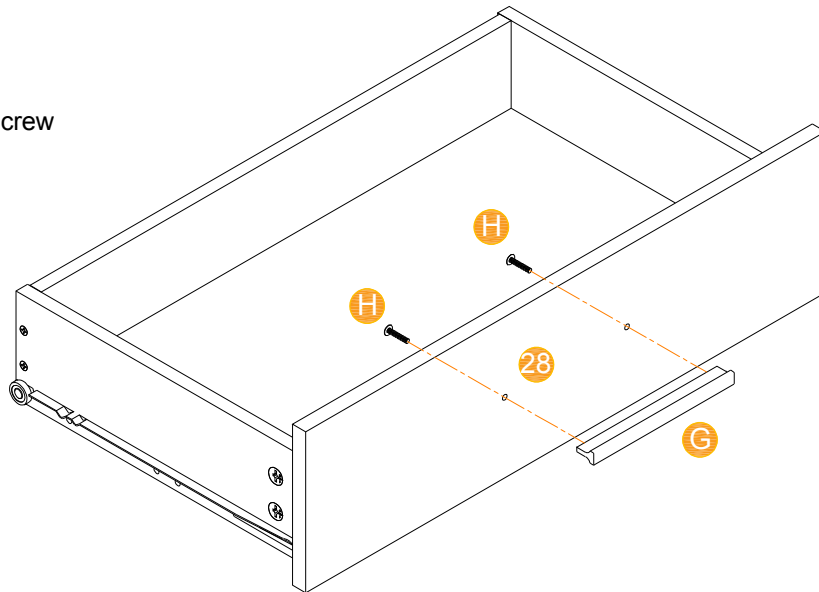
STEP 56 Attach handle



G Handle*2

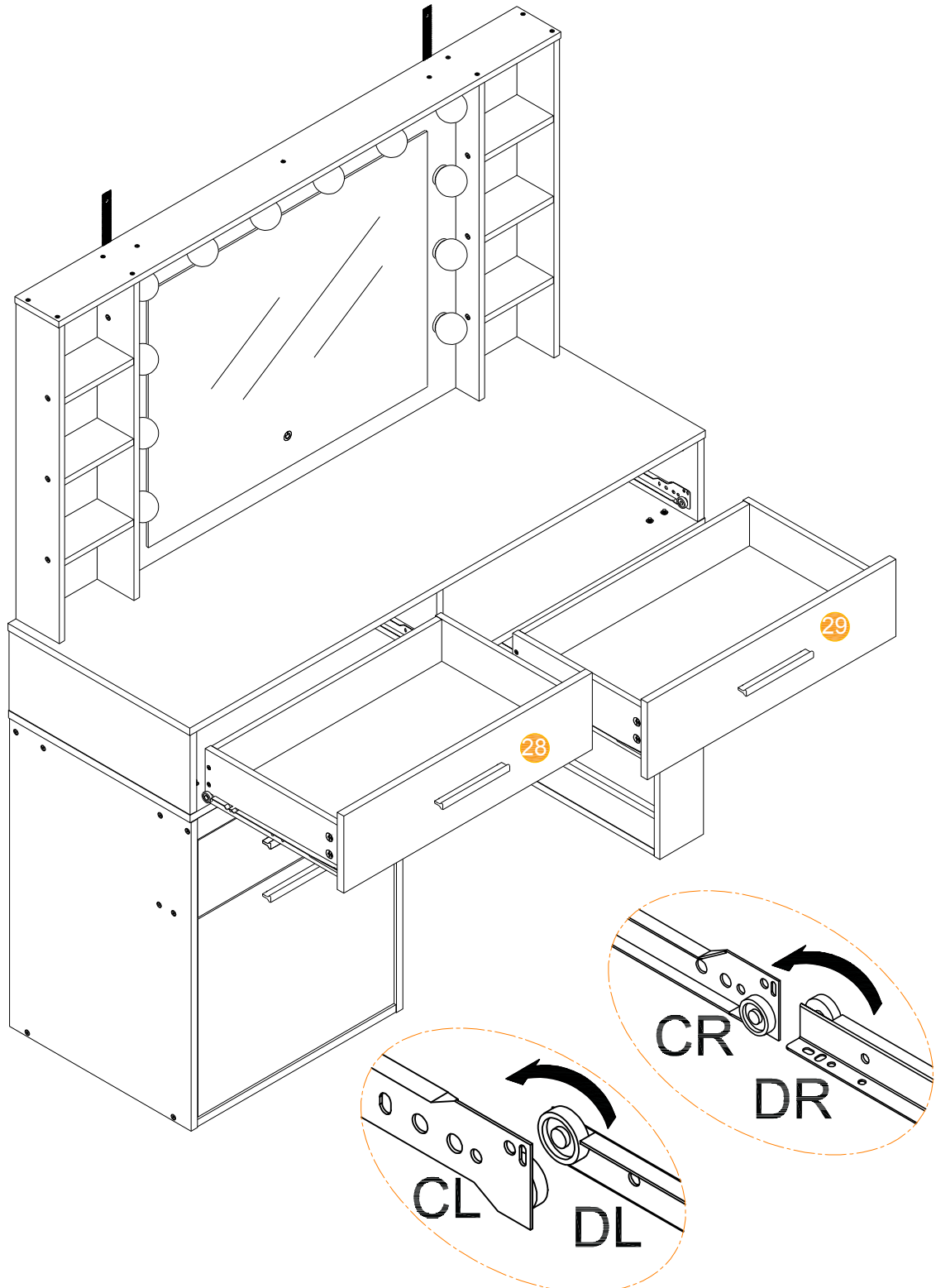


H Hex Head Screw
M4X18 *4



ASSEMBLY INSTRUCTIONS**STEP 57** Install drawers into cabinet.

Note: Horizontally engage drawer rails DL/DR with cabinet rails CL/CR per diagram.

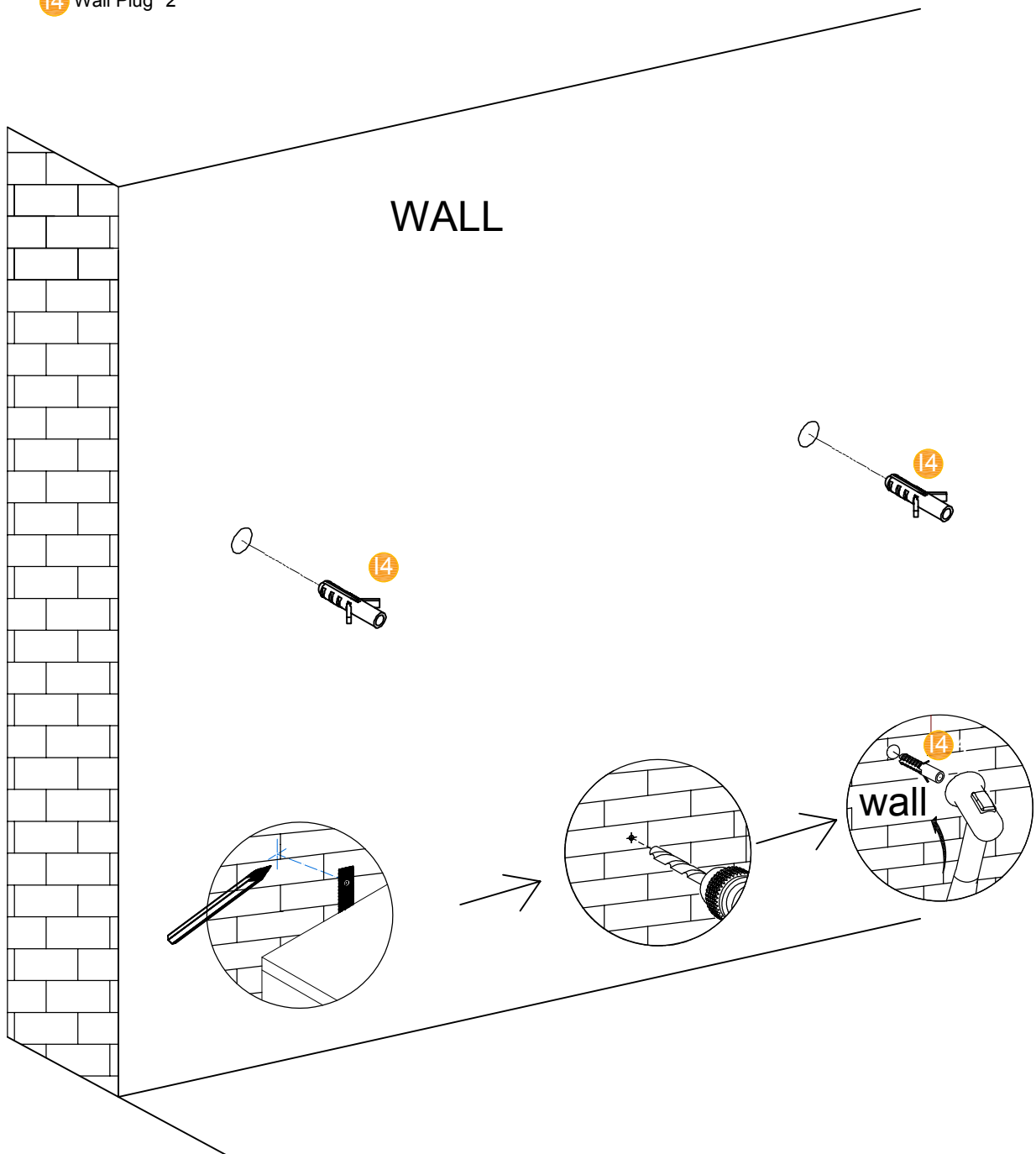


ASSEMBLY INSTRUCTIONS

STEP 58 Determine the location of the anti-overturning on the wall and then mark the position and then Drill the hole and then fixed the wall plug (14) on the wall

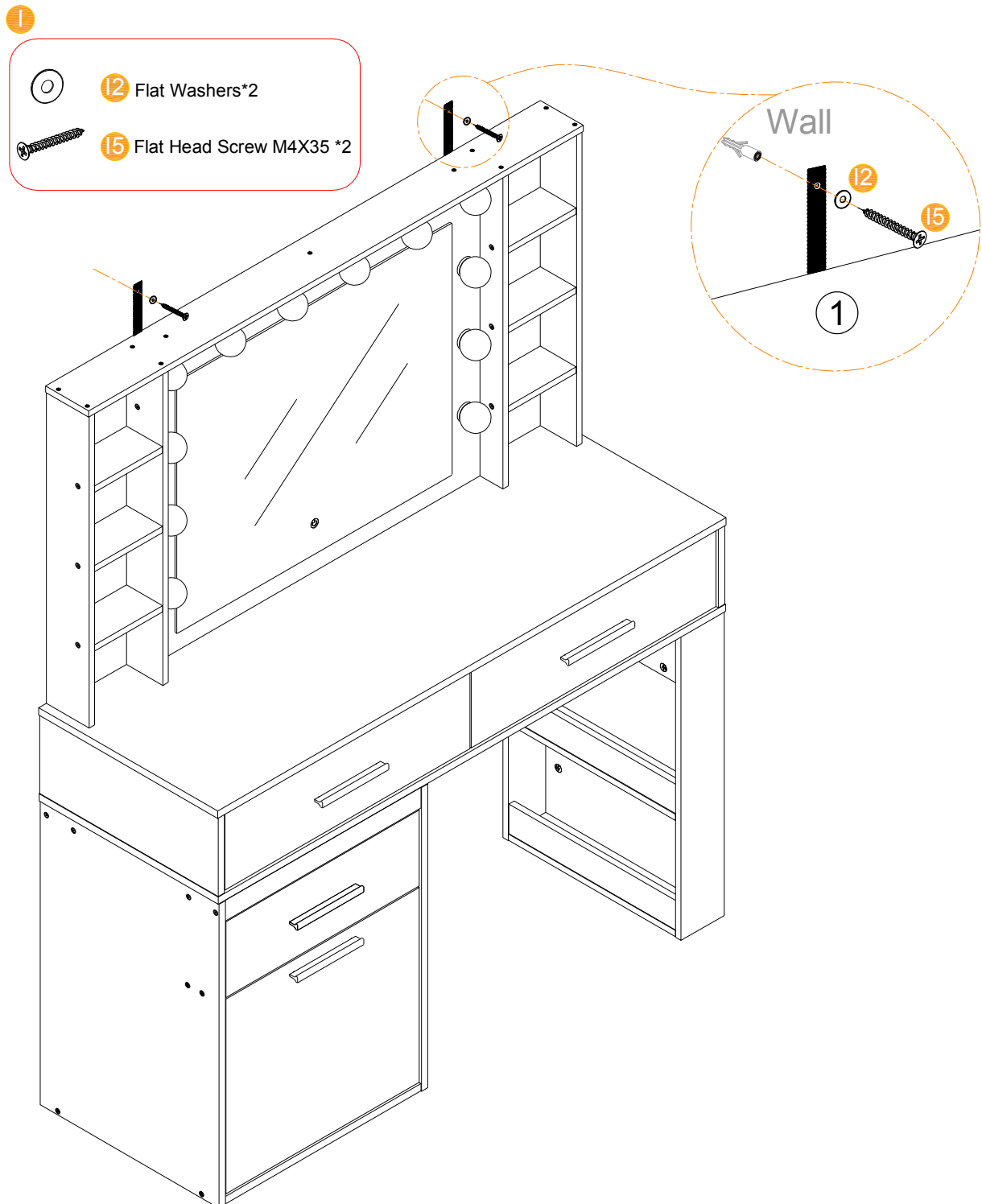


14 Wall Plug *2



ASSEMBLY INSTRUCTIONS

STEP 59 Use screw (15) to fix the (12) and Strap (11) on the wall.

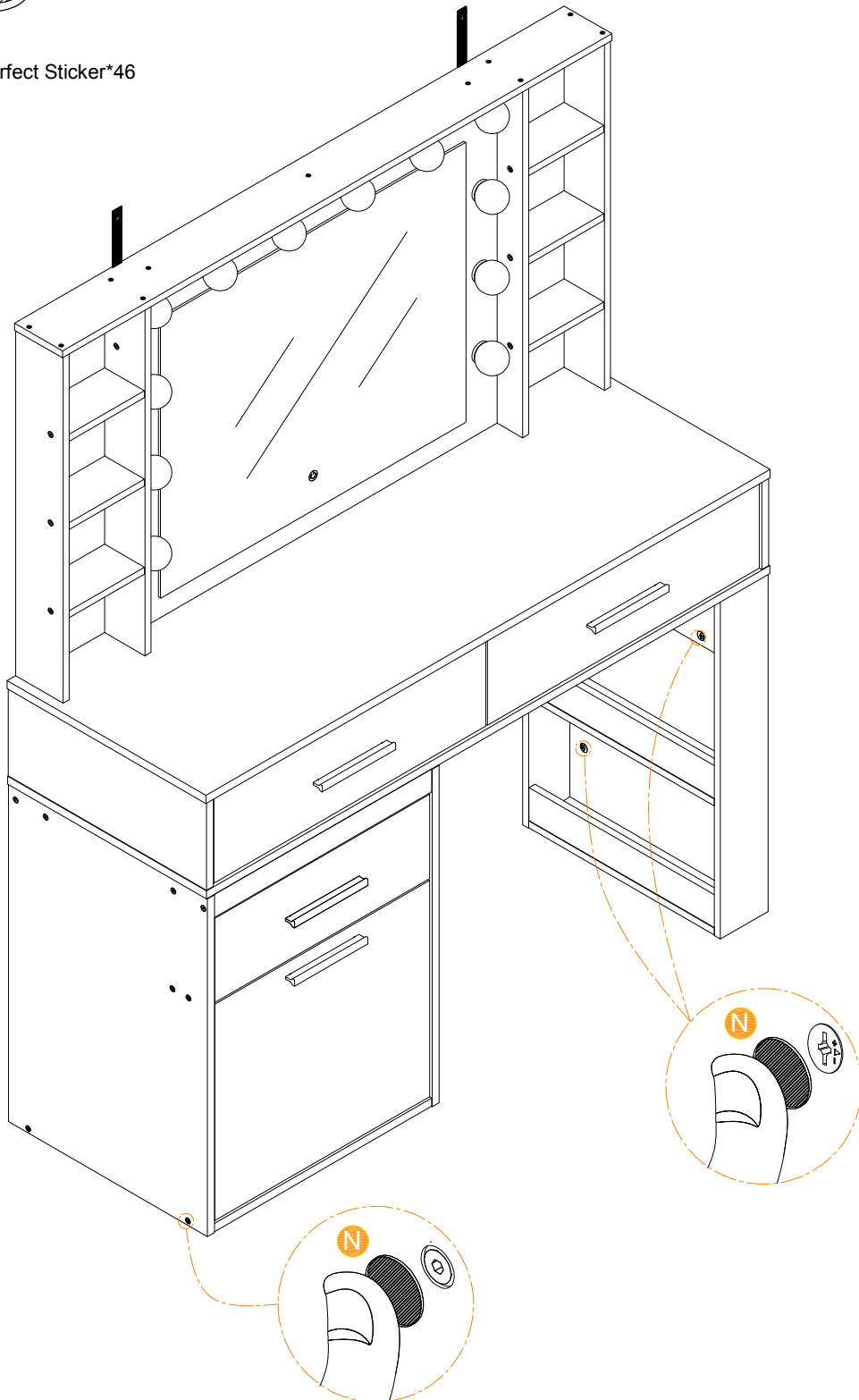


ASSEMBLY INSTRUCTIONS

STEP 60 Use Perfect Sticker (N) to cover the Camlock's holes and Screw holes on the outside !

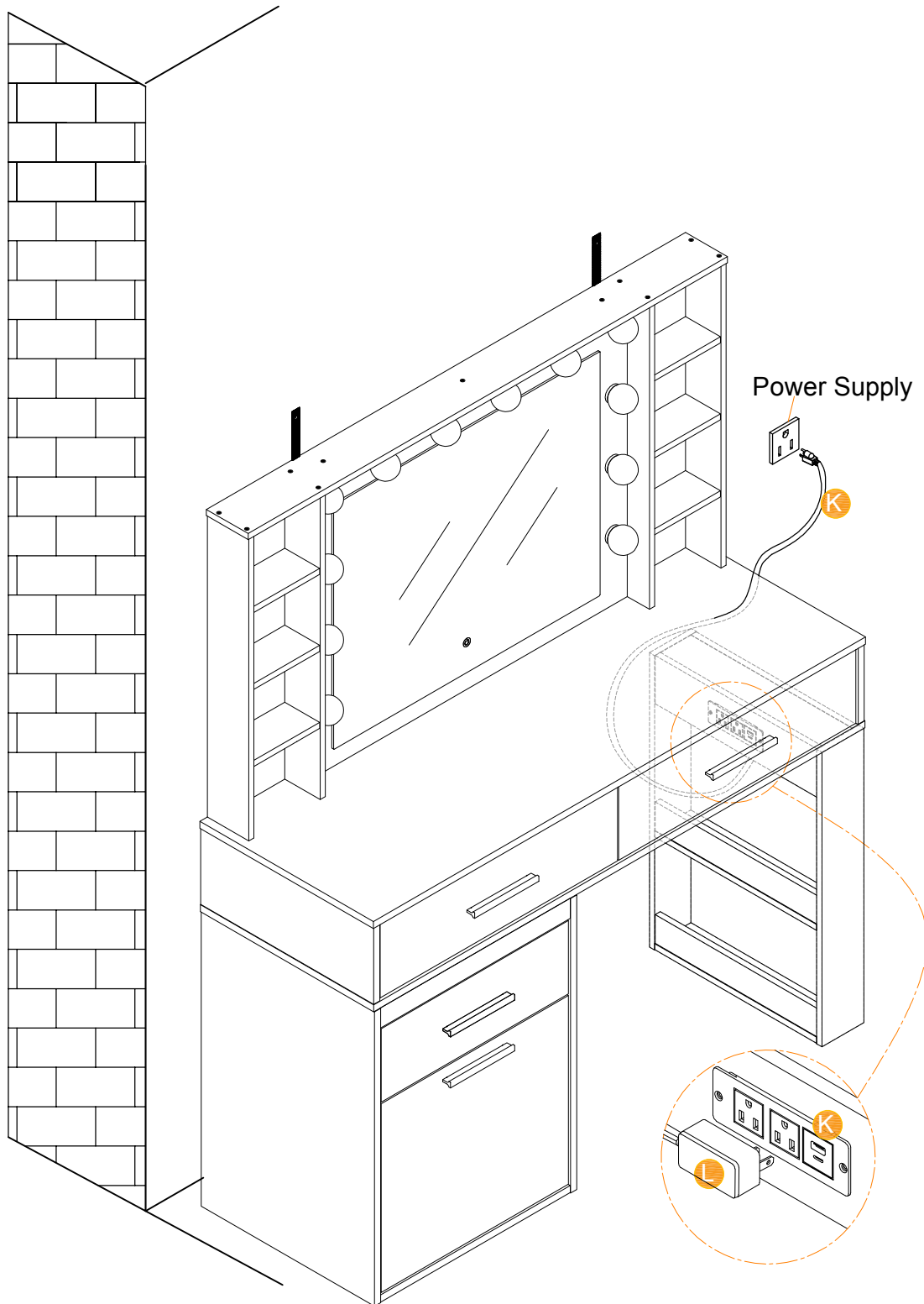


N Perfect Sticker*46



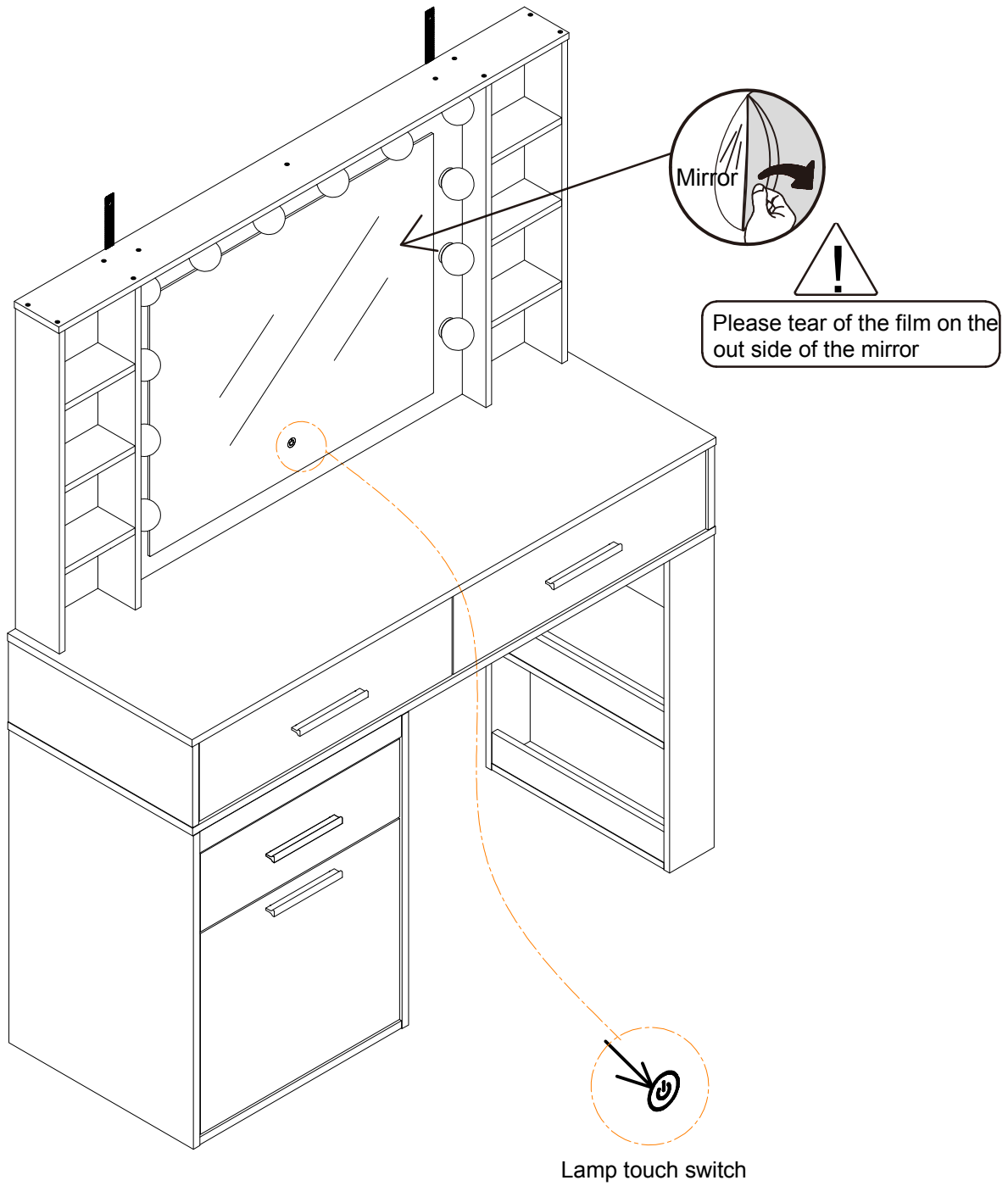
ASSEMBLY INSTRUCTIONS

STEP 61 Connect Power Supply



ASSEMBLY INSTRUCTIONS

STEP 62 Tear of the film on the out side of the mirror before use.



LIMITED WARRANTY

We promise to repair or replace any product that is found to be defective in material or workmanship within one year from the date of original purchase, as long as you, the original purchaser, still own it. This is your sole and exclusive remedy under this warranty, subject to the provisions outlined below.

EXCLUSIONS

This warranty does not apply to, and no other warranty applies to:

- Normal wear and tear, which is to be expected over the course of ownership.
- Misuse, abuse, or excessive use of the product.
- Modifications or attachments to the product that are not approved.
- Products that were not installed, used, or maintained in accordance with the product instructions and warnings.
- Products used for rental purposes or unauthorized retail activities.

Product Usage: Normal use is defined as equivalent to a single shift, forty-hour (40) workweek. If the product is used in a manner exceeding this, the applicable warranty period will be proportionately reduced.

RETURN POLICY

We offer a 30-day return policy, meaning that all products purchased may be returned to us within that timeframe. You must contact us via email or customer service phone number within 30 days of receiving the product(s), and they must be returned to us without any undue delays.

CONDITIONS:

- Returned products must be in the same condition as received and returned in their original packaging.
- If the product is not faulty (i.e., if you change your mind or are unhappy with the product for another reason), you are responsible for the cost of return shipping. You must ensure the package arrives safely to us, so we recommend using a courier service that offers tracking.

LIMITED WARRANTY

- If the product is faulty when received, please contact us, and we will assist you with the return, covering the shipping costs in this case.
- We reserve the right to offer partial refunds for returned products that are not in unused condition, are damaged, or have missing parts not due to our error.

HOW RETURNS WORK

To request a return, please attach a copy of your invoice as proof of purchase, along with the reason for the return.

We will provide the return address for the product as soon as possible. Once the returned product is received and inspected, we will provide a specific resolution.

If the return is approved, the refund amount will be automatically credited to your original payment method.

MAINTENANCE INSTRUCTIONS



Dust and clean up spills immediately using a clean, non-colored, lint-free cloth.



For indoor use only. Do not place the furniture outside.



Do not place hot items directly on the furniture surface without using a protective barrier.



Do not place furniture near heating or cooling vents (keep at least 3 feet away)



Do not place furniture in direct sunlight.