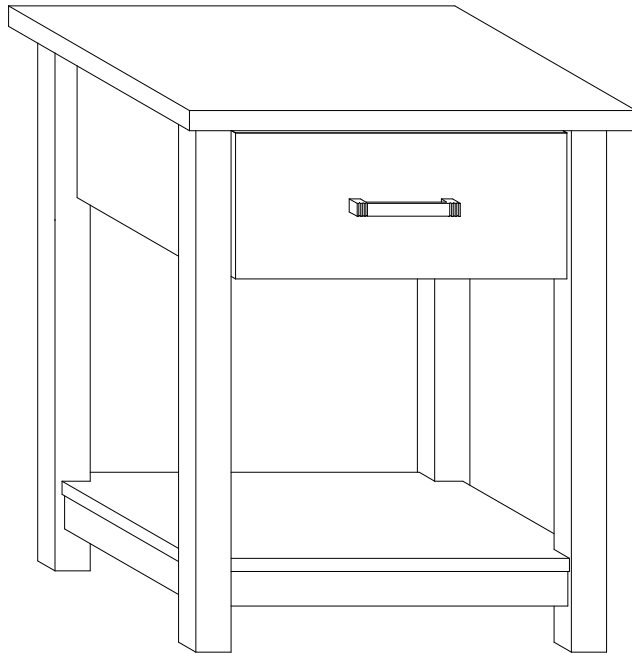
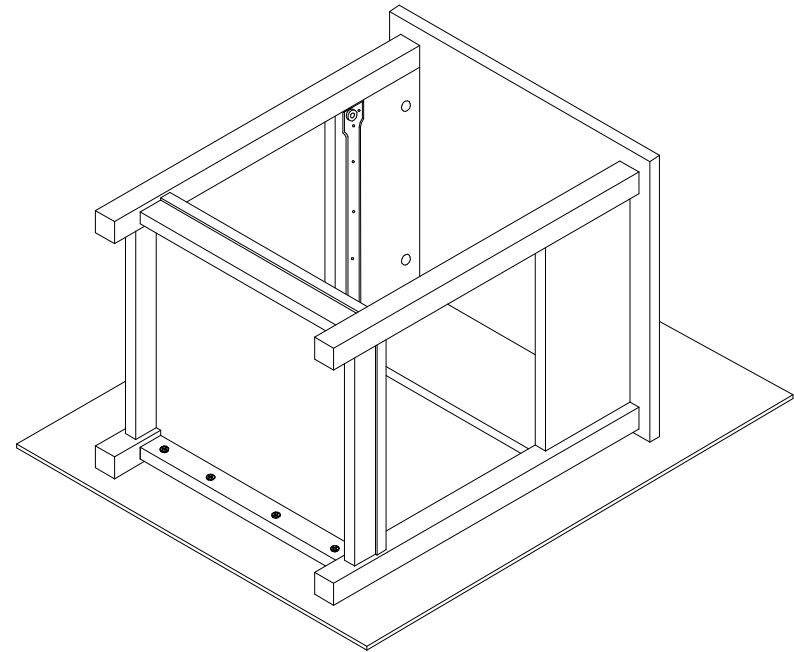
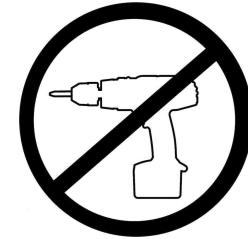
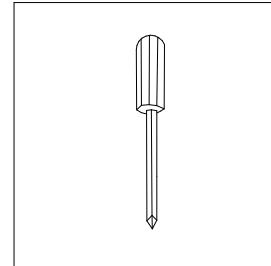


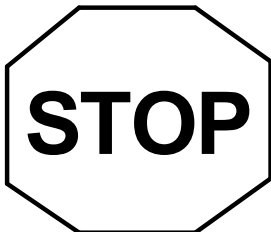
NIGHT STAND

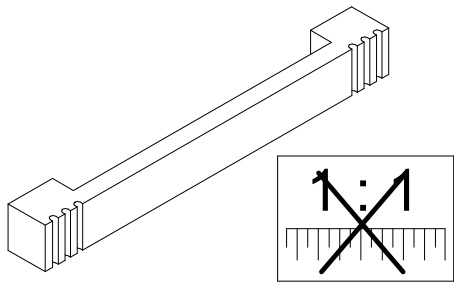


Required Tools : Screwdriver & Hammer



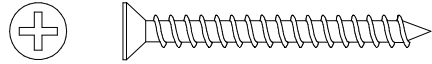
Please place on the carton while installing to prevent damage or scratches.





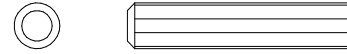
A **1PC**

Plastic Handle



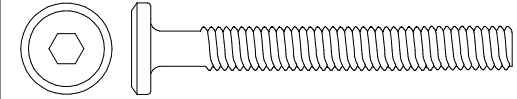
B **2PCS**

Handle Screw
M4 X 40mm



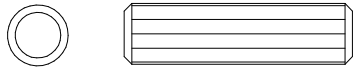
C **6PCS**

Wood Dowel
M6 X 30mm



D **2PCS**

JCBC Bolt
M6 X 50mm



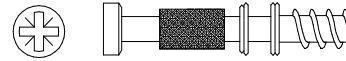
E **2PCS**

Wood Dowel
M8 X 30mm



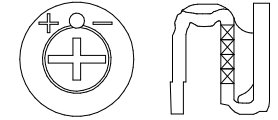
F **1PC**

Allen Key



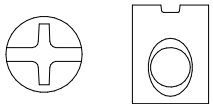
G **20PCS**

Cam Screw



H **20PCS**

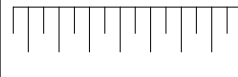
Cam Lock



I **2PCS**

Barrel Nut

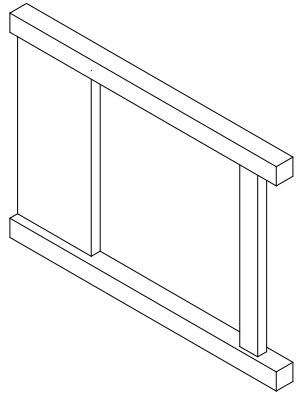
1 : 1



ASSEMBLY INSTRUCTION (PART & HARDWARE LIST)

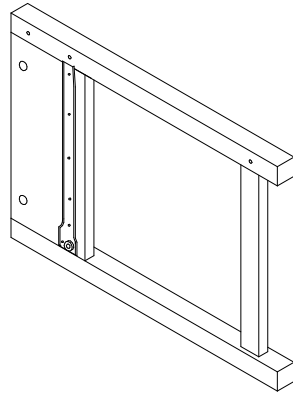
NIGHT STAND

1G



SIDE PANEL (R)

2G



SIDE PANEL (L)

3G

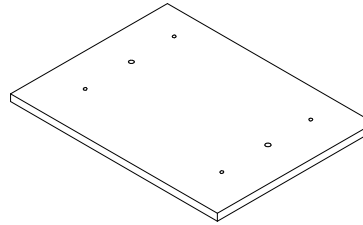
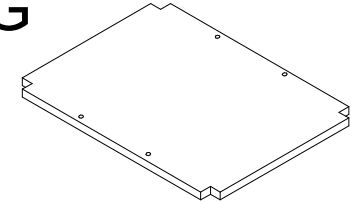


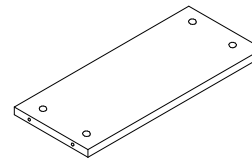
TABLE TOP

4G



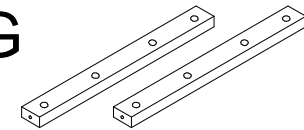
BOTTOM

5G



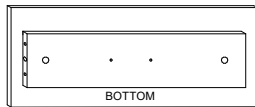
BACK PANEL

6G



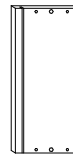
FRONT & BACK PANEL
(2PCS)

7G



DRAWER TOP

8G



DRAWER SIDE PANEL
R

9G



DRAWER SIDE PANEL
L

10G



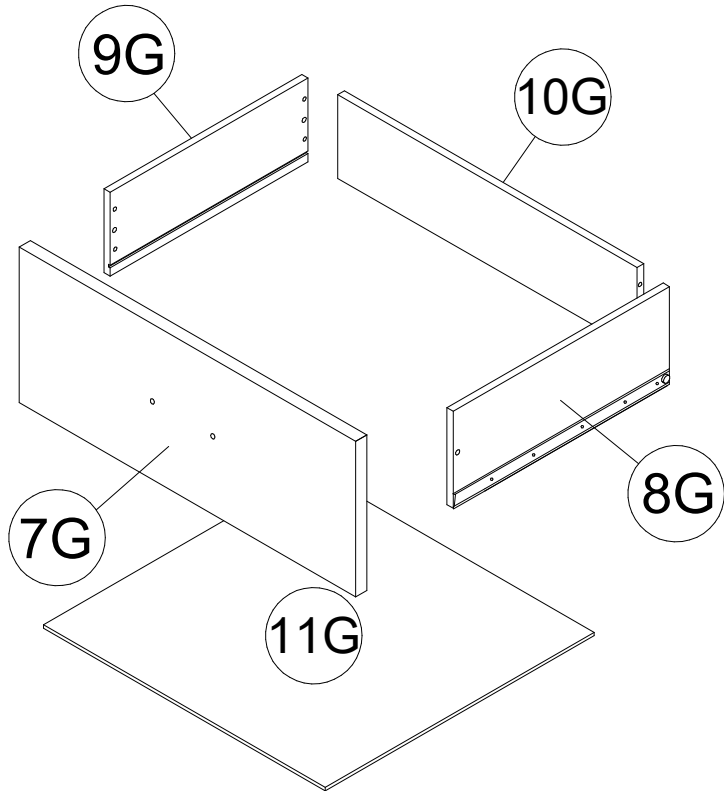
DRAWER BACK PANEL

11G

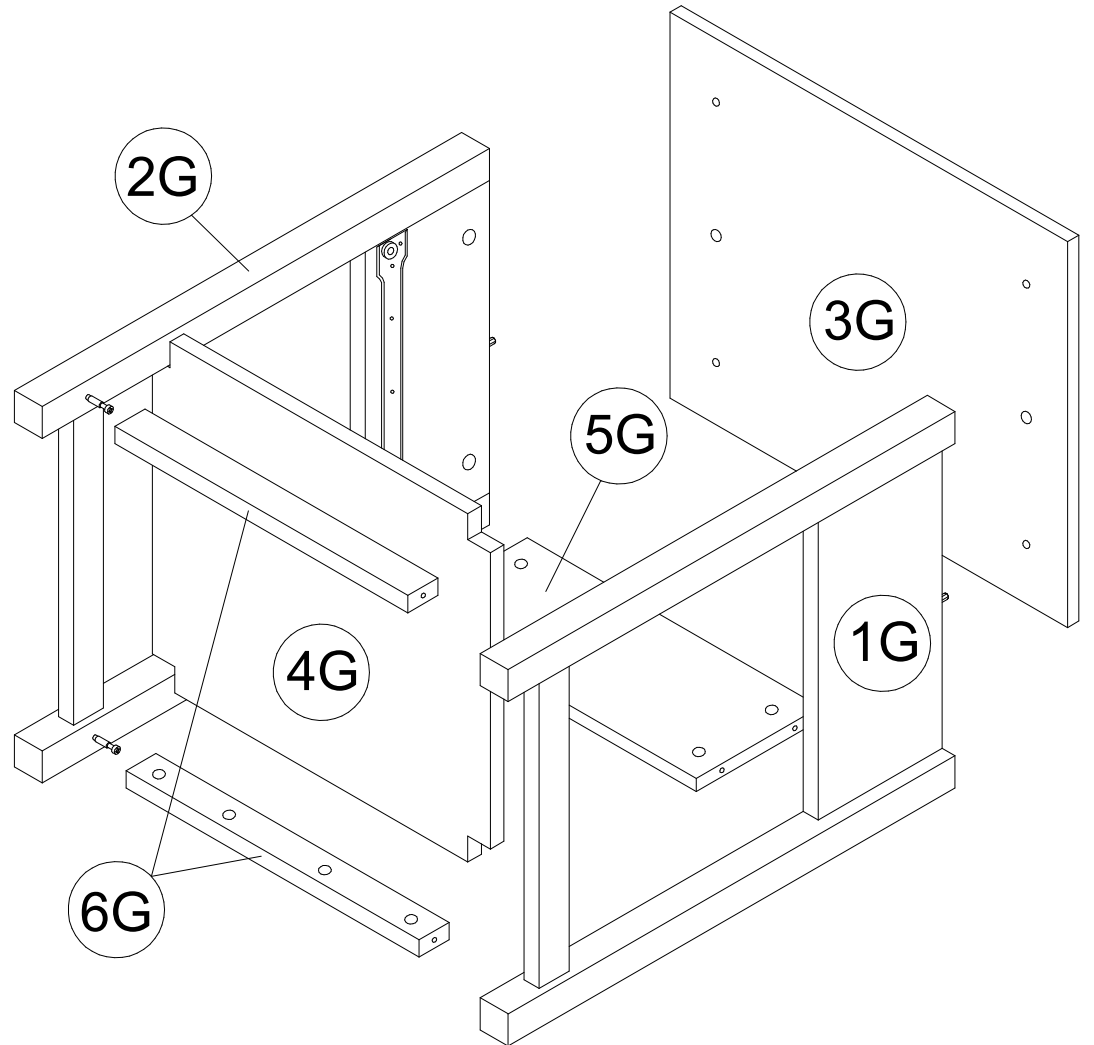


DRAWER PANEL

NIGHT STAND




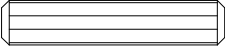
1X Drawer

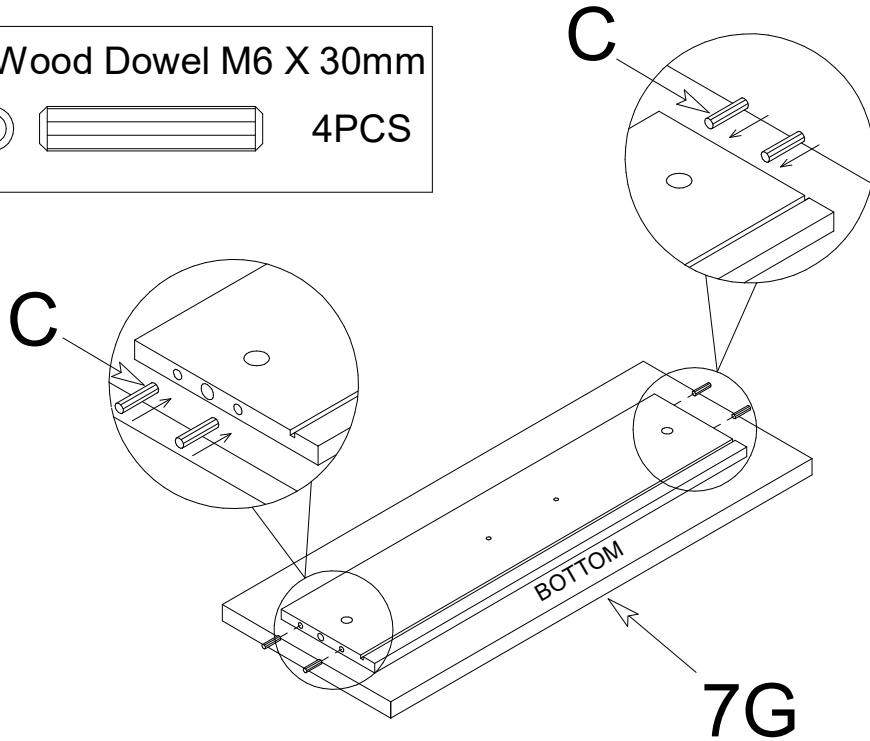


ASSEMBLY INSTRUCTION NIGHT STAND

STEP 1.

1X Drawer

C-Wood Dowel M6 X 30mm
  4PCS


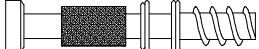


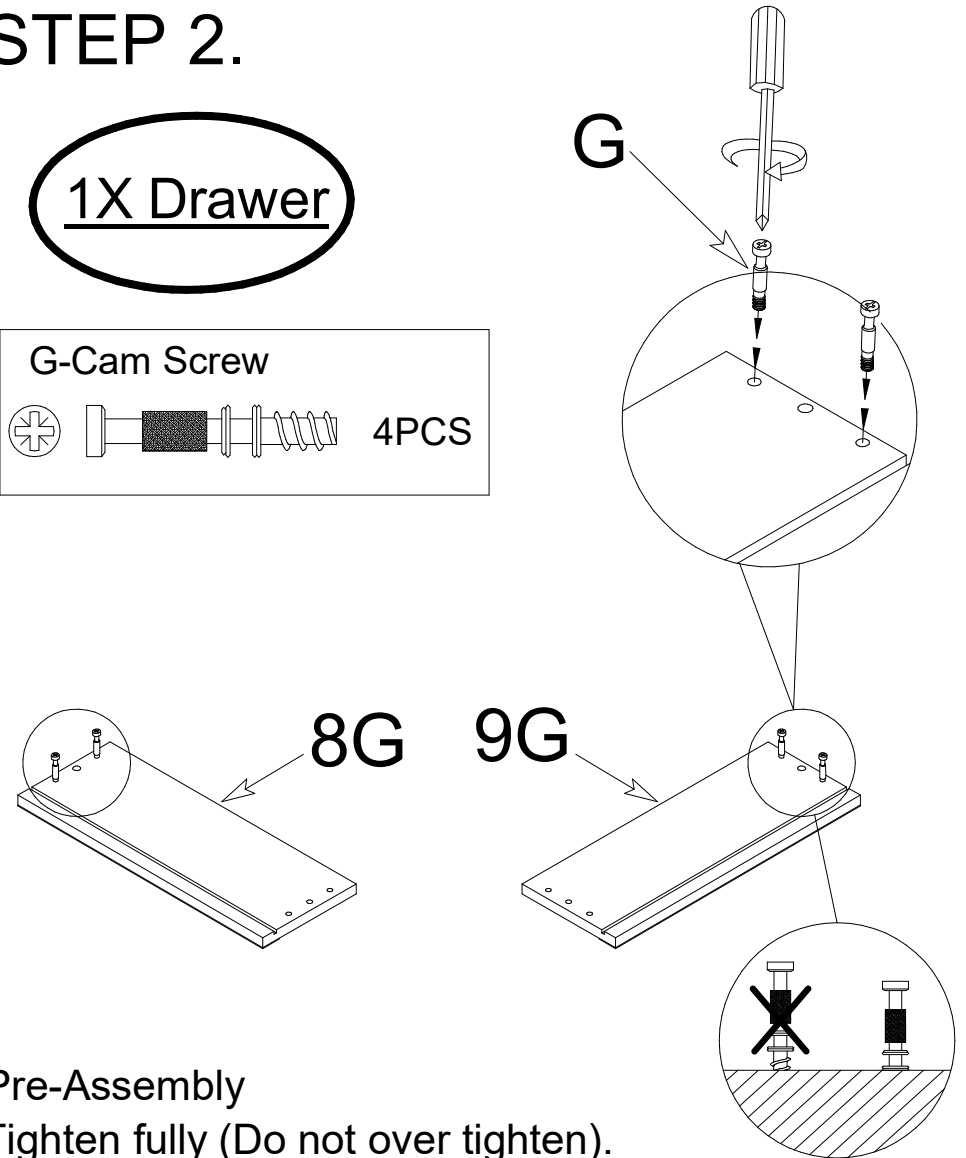
Pre-Assembly

Insert wood dowel in predrilled hole.

STEP 2.

1X Drawer

G-Cam Screw
  4PCS



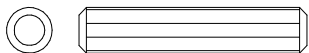
Pre-Assembly

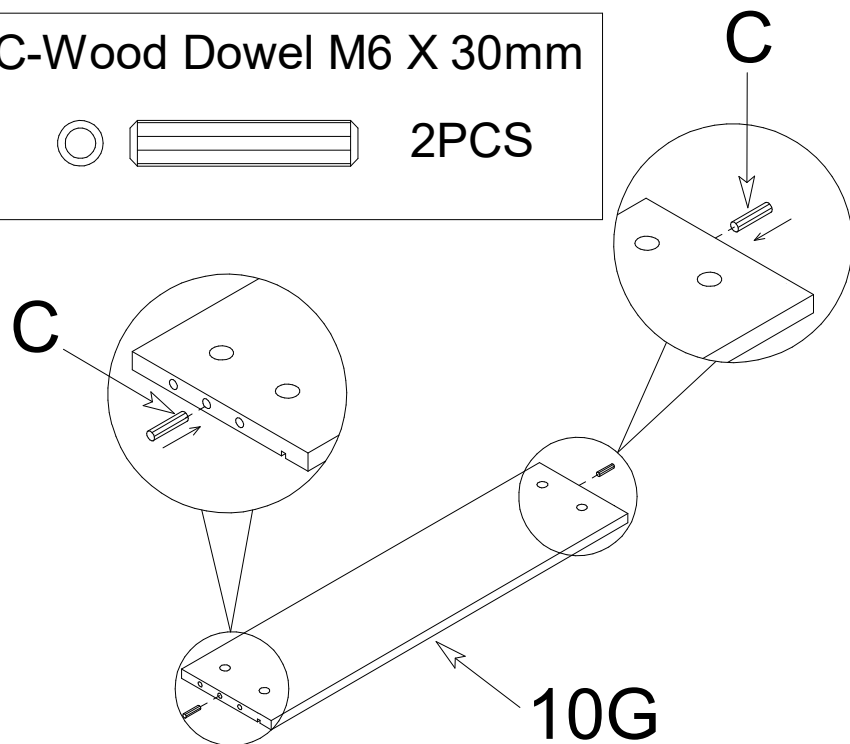
Tighten fully (Do not over tighten).

ASSEMBLY INSTRUCTION NIGHT STAND

STEP 3.

1X Drawer

C-Wood Dowel M6 X 30mm
 2PCS

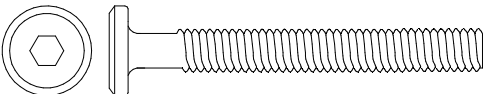
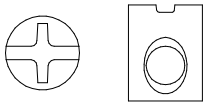



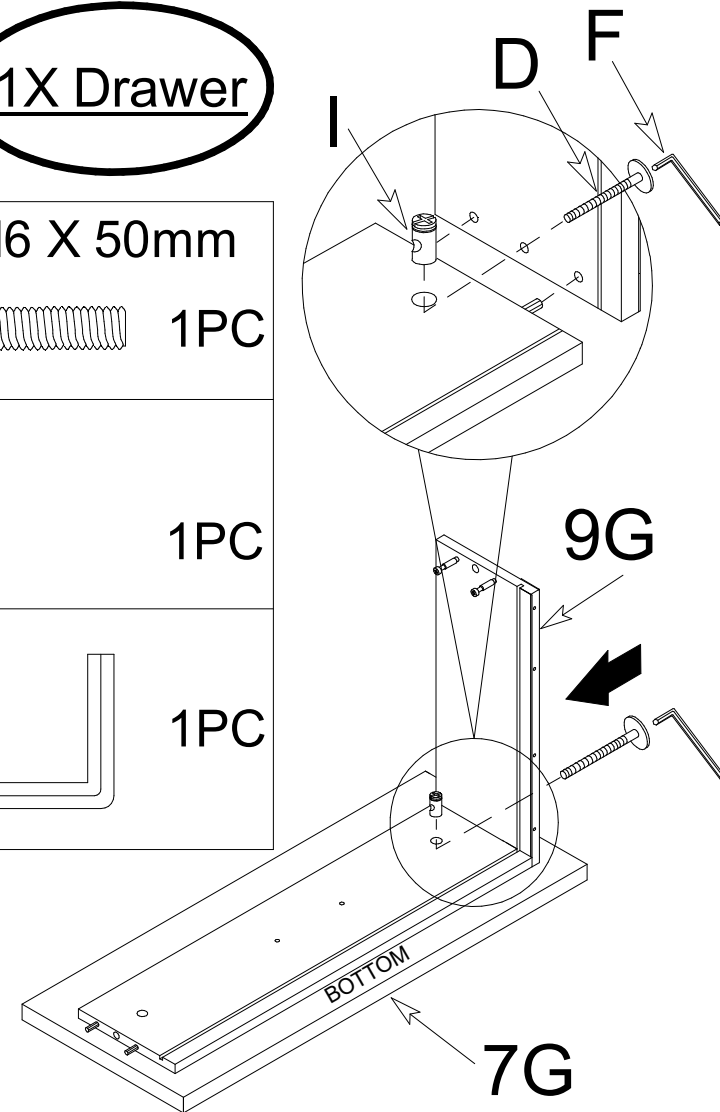
Pre-Assembly
 Insert wood dowel in predrilled hole.

STEP 4.

1X Drawer

9G

- | |
|--|
| D-JCBC Bolt M6 X 50mm
 1PC |
| I-Barrel Nut
 1PC |
| F-Allen Key
 1PC |



Tighten fully. (Do not over tighten).

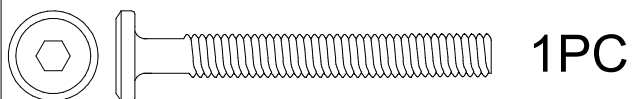
ASSEMBLY INSTRUCTION NIGHT STAND

STEP 5.

1X Drawer

8G

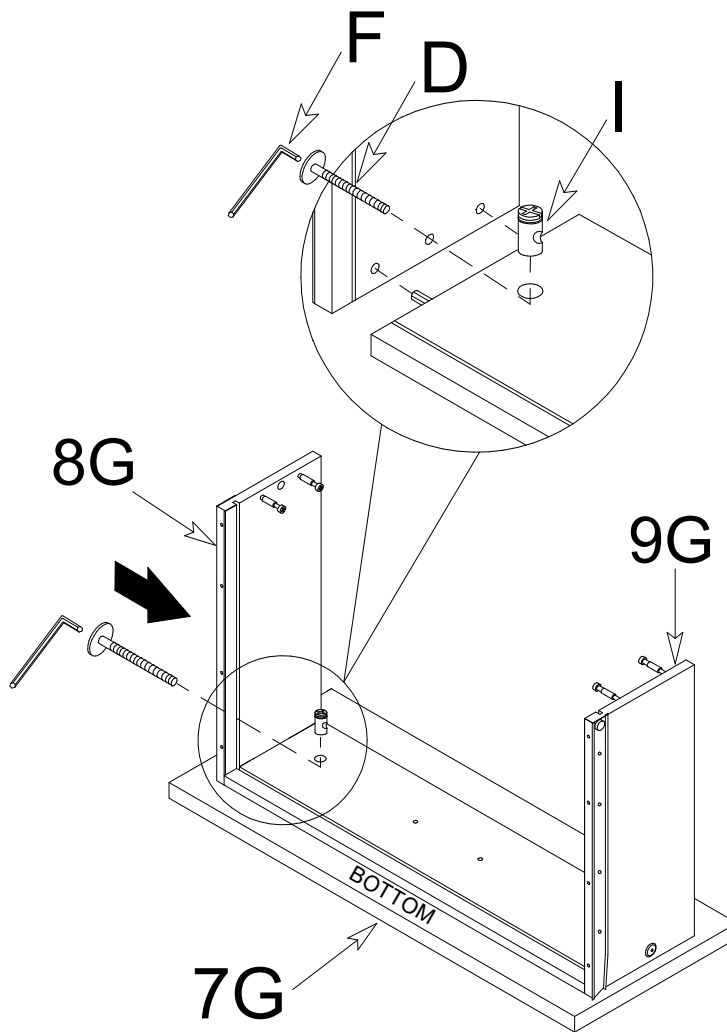
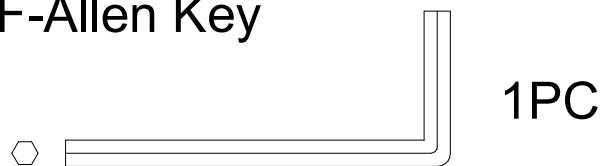
D-JCBC Bolt M6 X 50mm



I-Barrel Nut



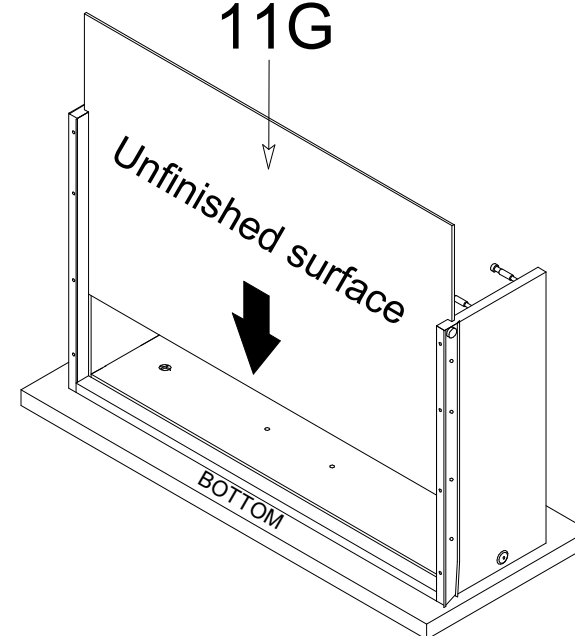
F-Allen Key



STEP 6.

1X Drawer

11G

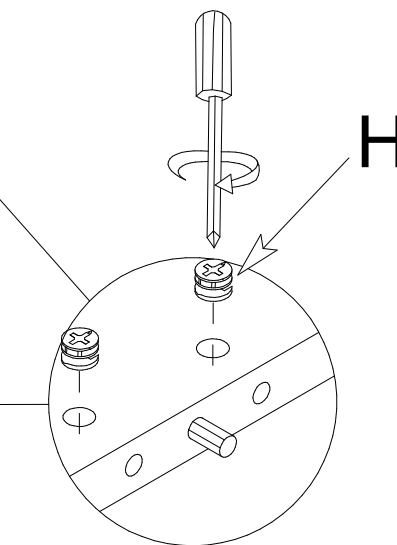
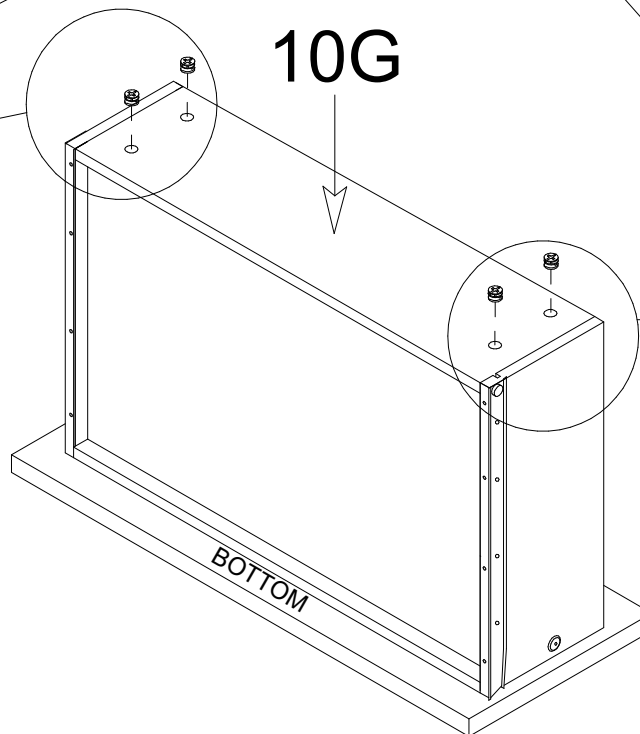
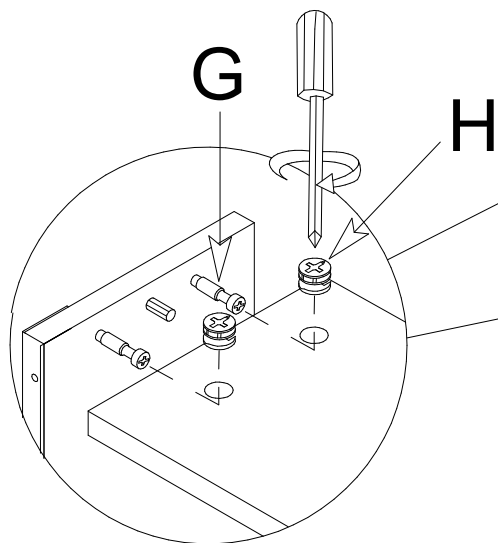
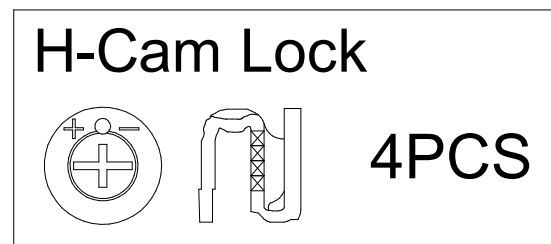
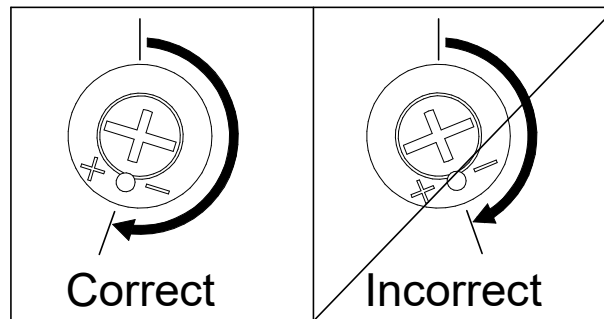


Tighten fully. (Do not over tighten).

ASSEMBLY INSTRUCTION NIGHT STAND

STEP 7.

Tighten fully. (Do not over tighten).



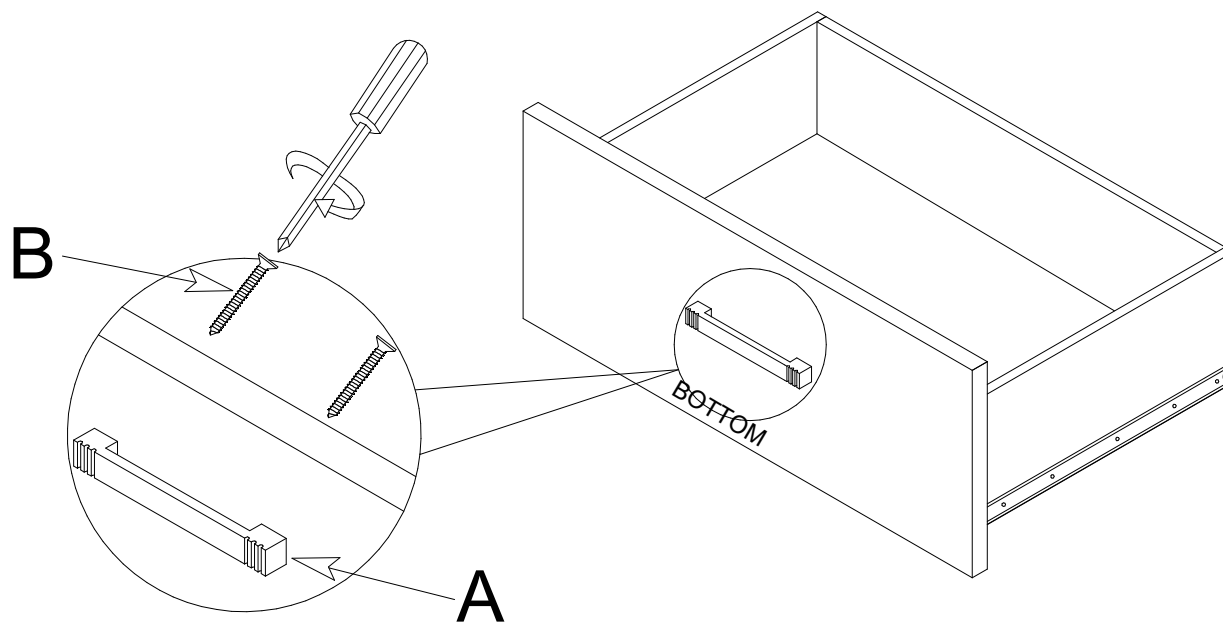
1X Drawer

Proper orientation
of Cam Lock (H).
1/2 turn to fully lock.

ASSEMBLY INSTRUCTION NIGHT STAND

STEP 8.

1X Drawer



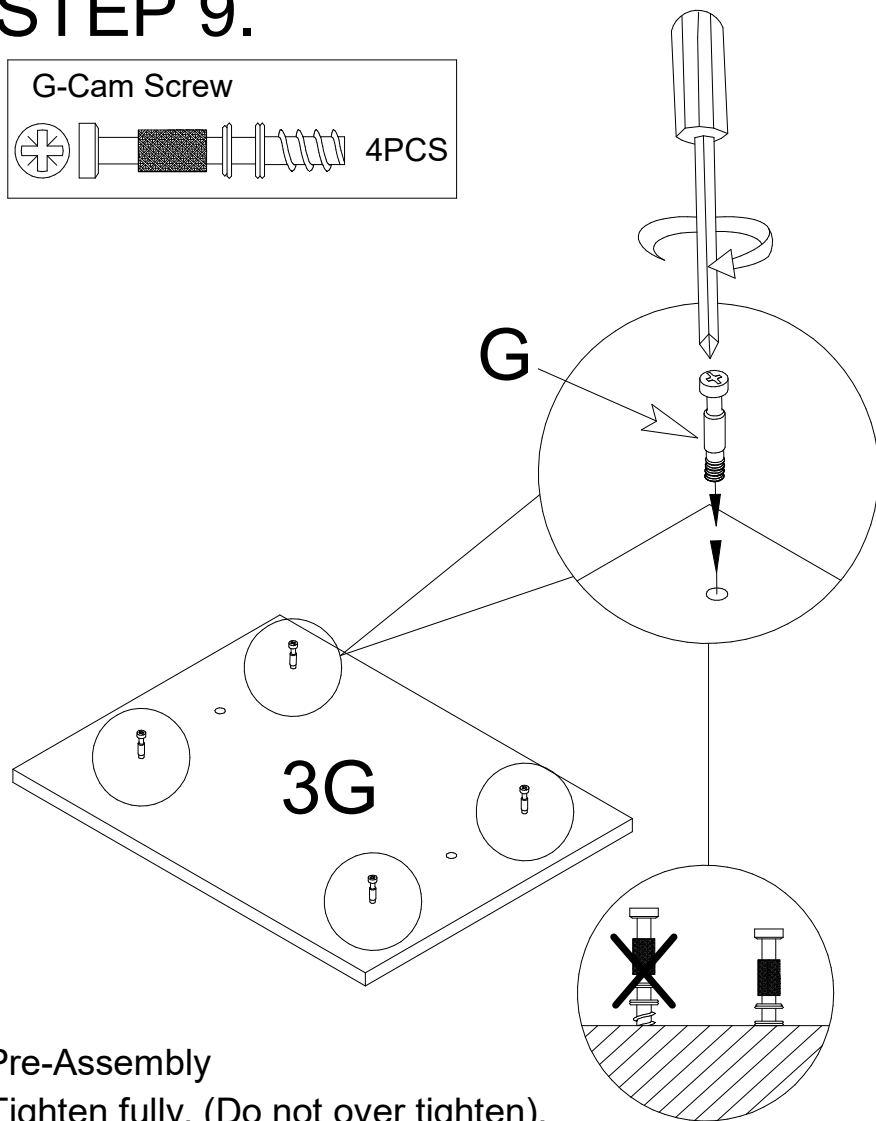
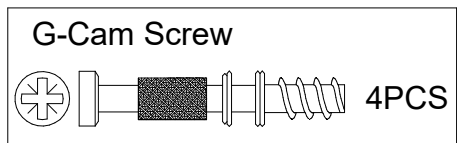
Attach handle using handle screw (B).

A-Plastic Handle		
	1PC	
B-Handle Screw M4 X 40mm		
		2PCS

ASSEMBLY INSTRUCTION

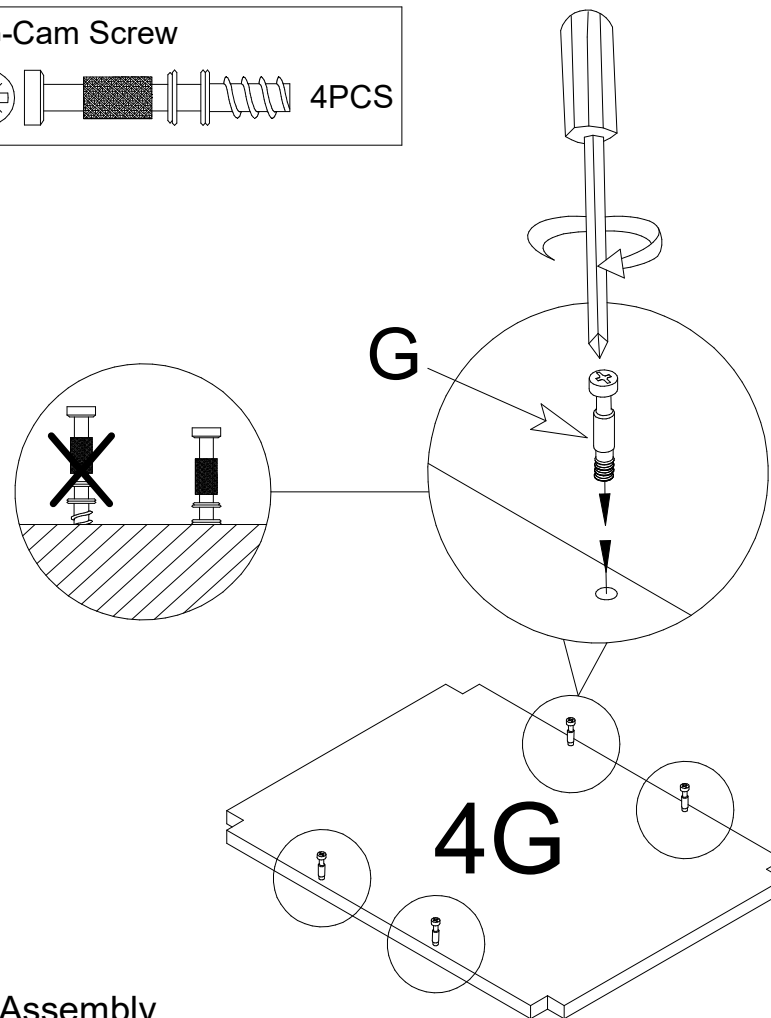
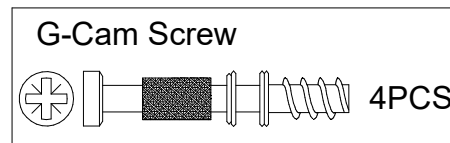
NIGHT STAND

STEP 9.



Pre-Assembly
Tighten fully. (Do not over tighten).

STEP 10.



Pre-Assembly
Tighten fully. (Do not over tighten).

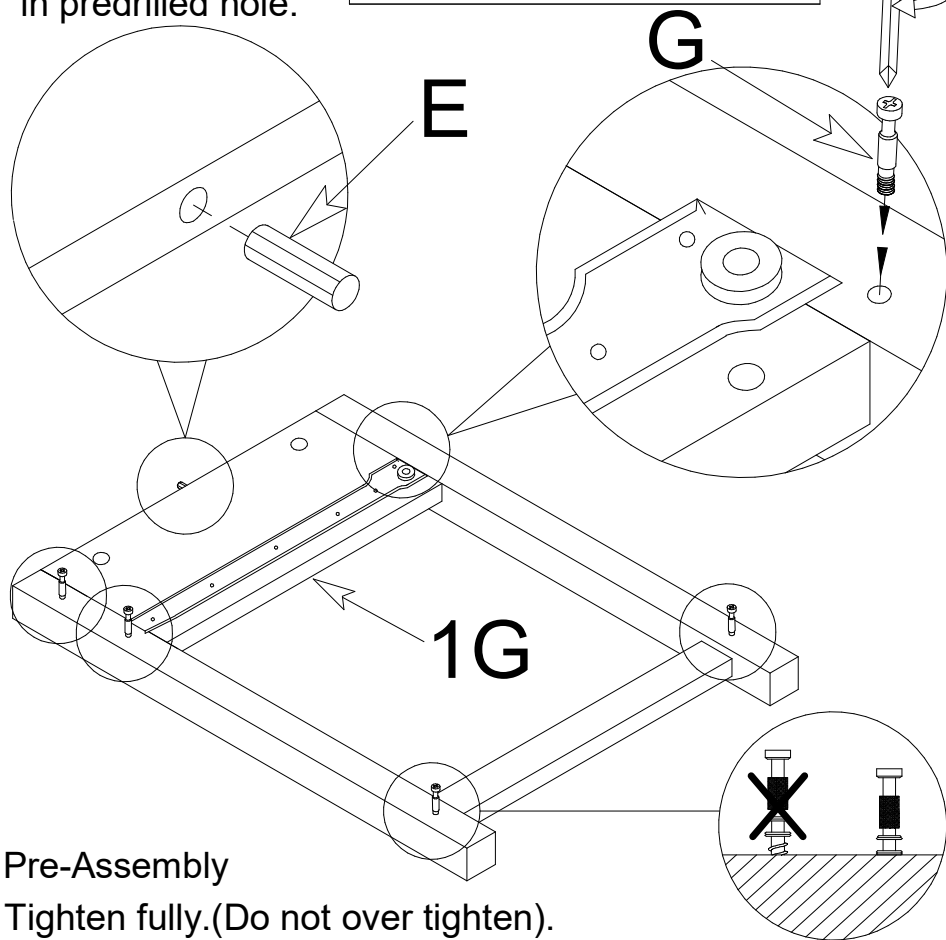
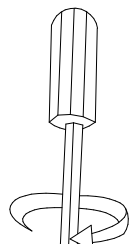
ASSEMBLY INSTRUCTION NIGHT STAND

STEP 11.

G-Cam Screw
4PCS

E-Wood Dowel M8 X 30
1PC

Insert wood dowel
in predrilled hole.

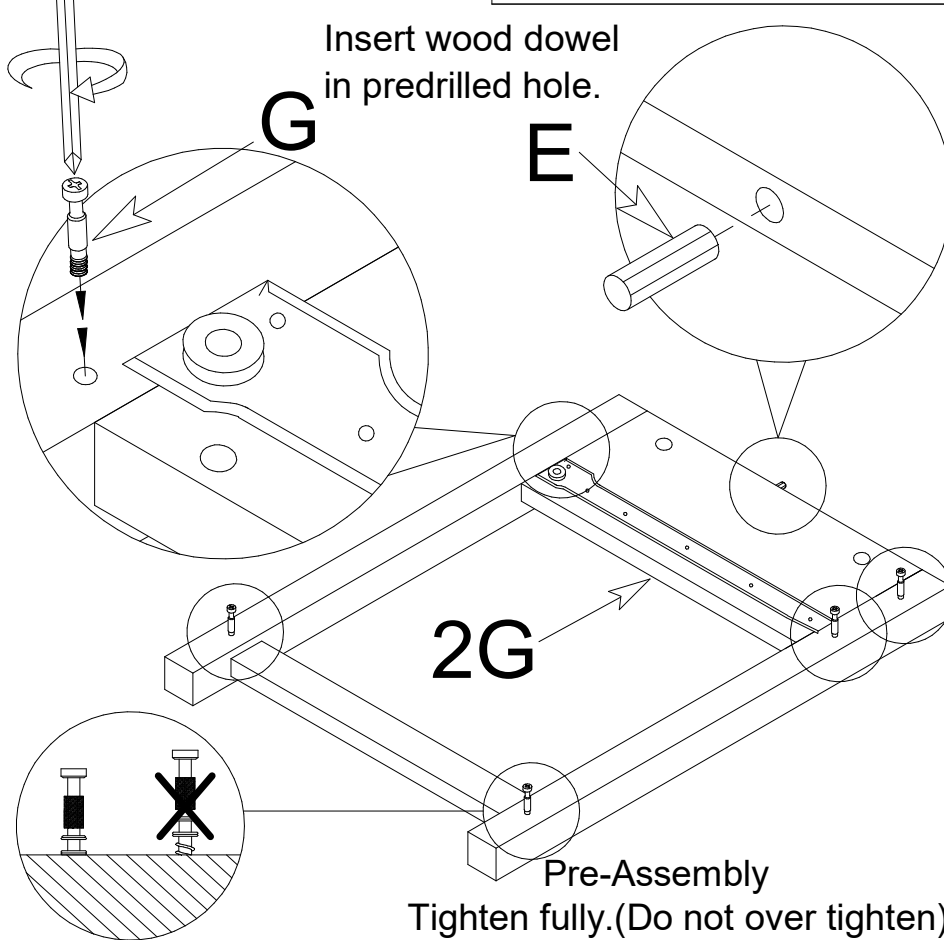
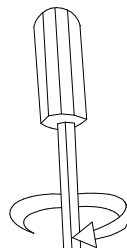


STEP 12.

G-Cam Screw
4PCS

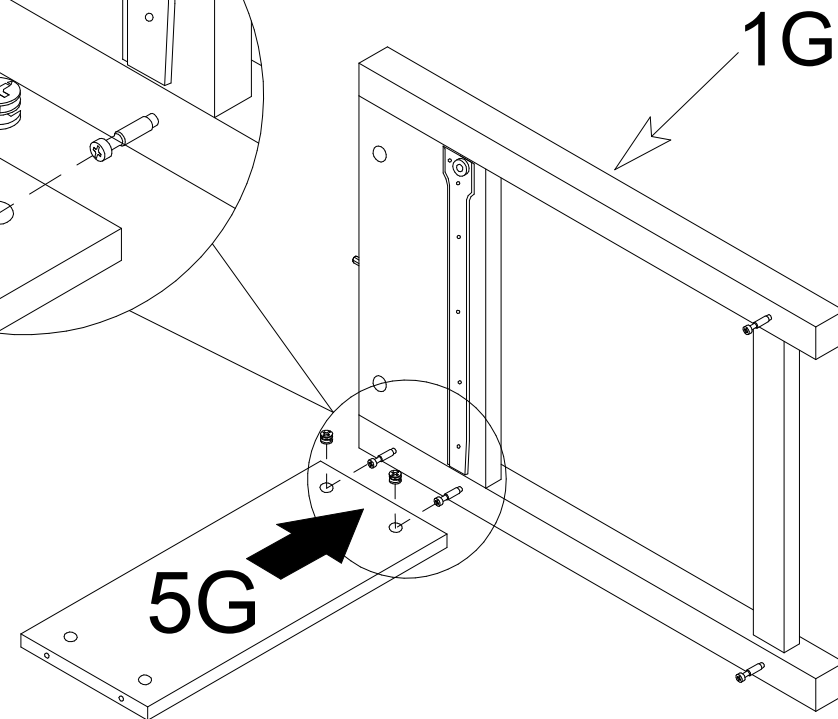
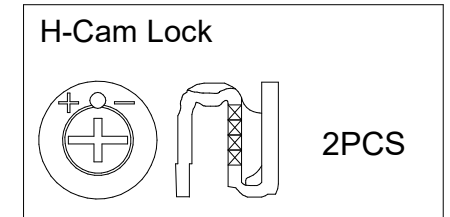
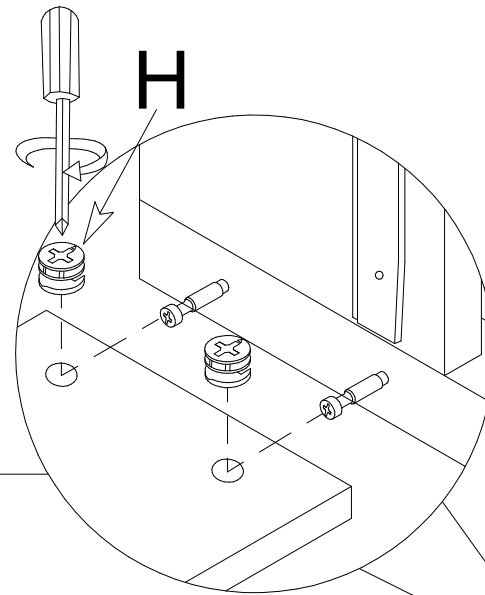
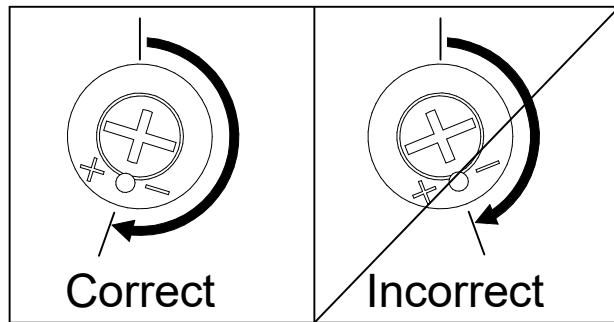
E-Wood Dowel M8 X 30
1PC

Insert wood dowel
in predrilled hole.



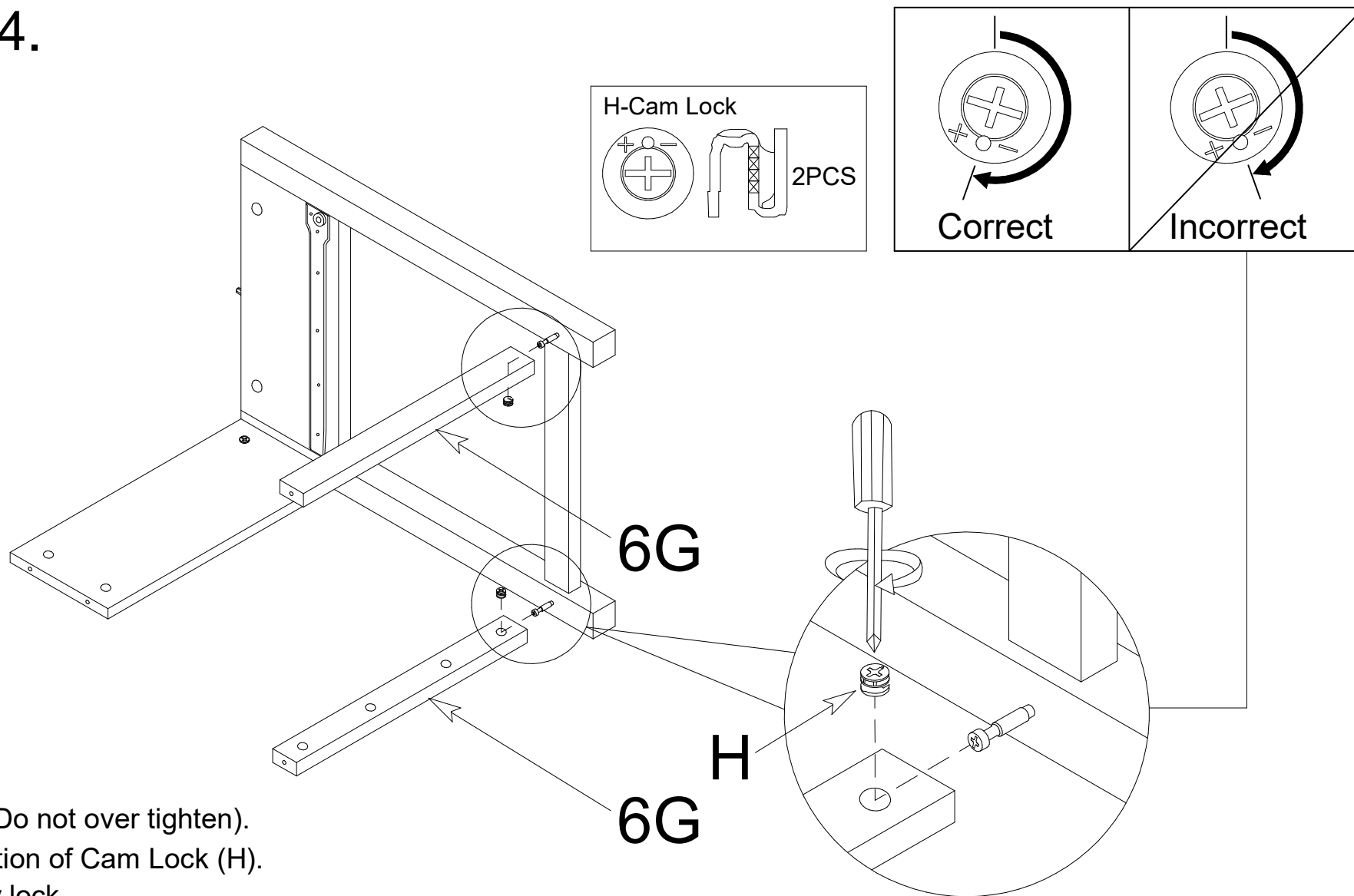
ASSEMBLY INSTRUCTION NIGHT STAND

STEP 13.



ASSEMBLY INSTRUCTION NIGHT STAND

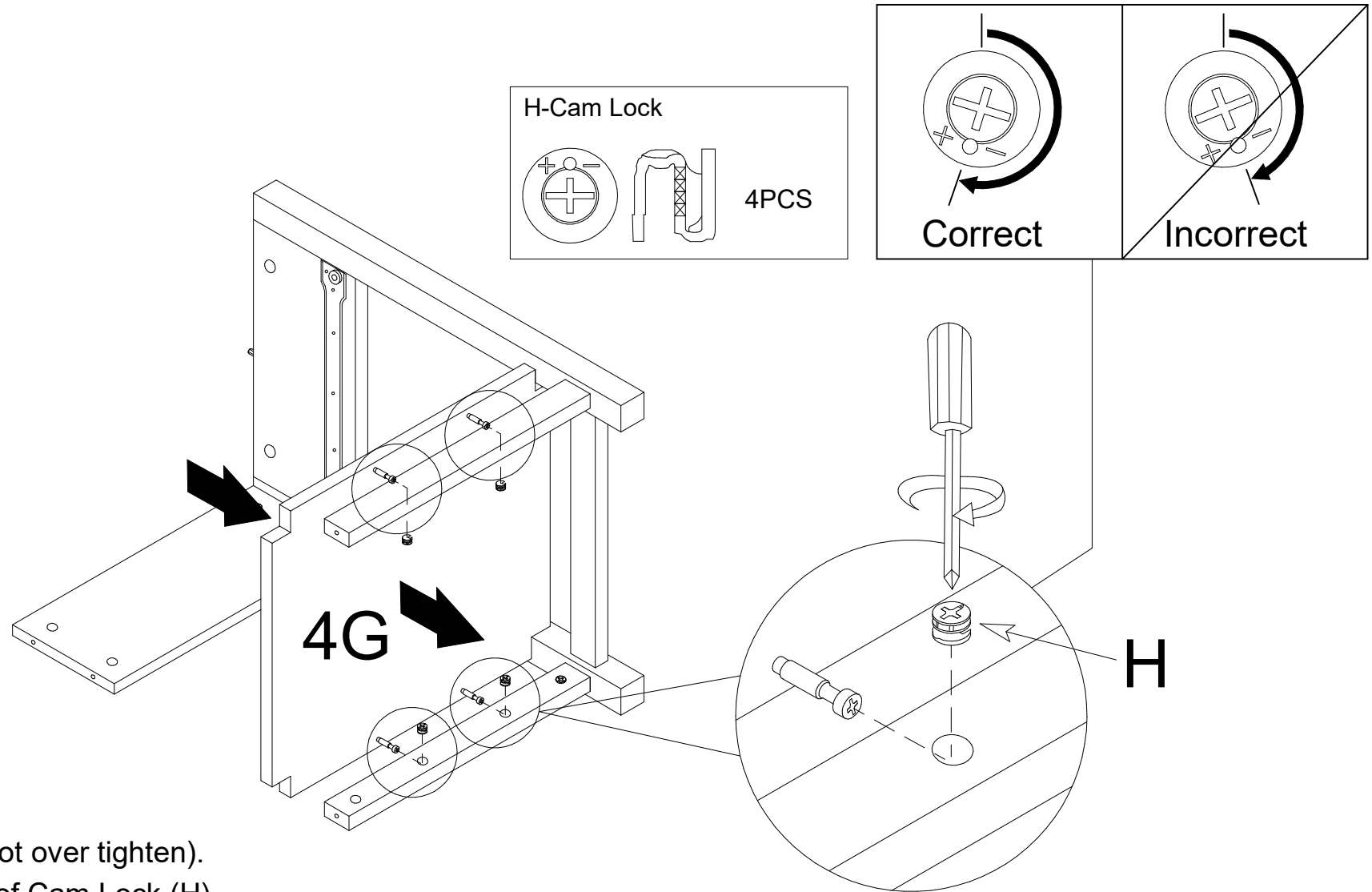
STEP 14.



Tighten fully. (Do not over tighten).
Proper orientation of Cam Lock (H).
1/2 turn to fully lock.

ASSEMBLY INSTRUCTION NIGHT STAND

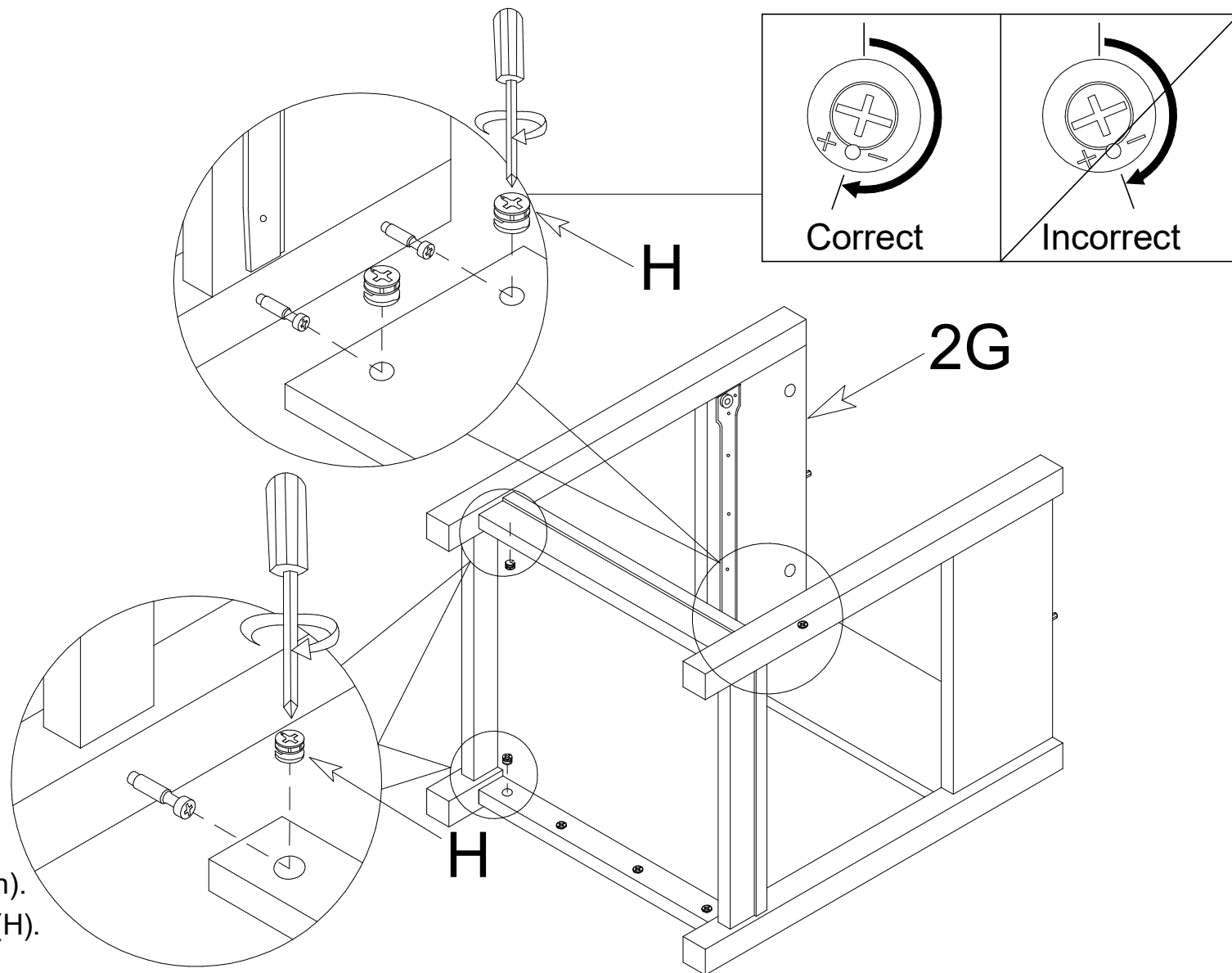
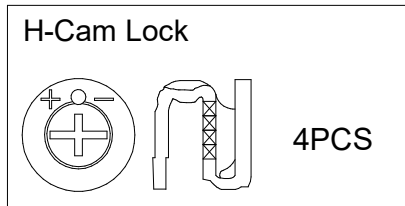
STEP 15.



Tighten fully. (Do not over tighten).
Proper orientation of Cam Lock (H).
1/2 turn to fully lock.

ASSEMBLY INSTRUCTION NIGHT STAND

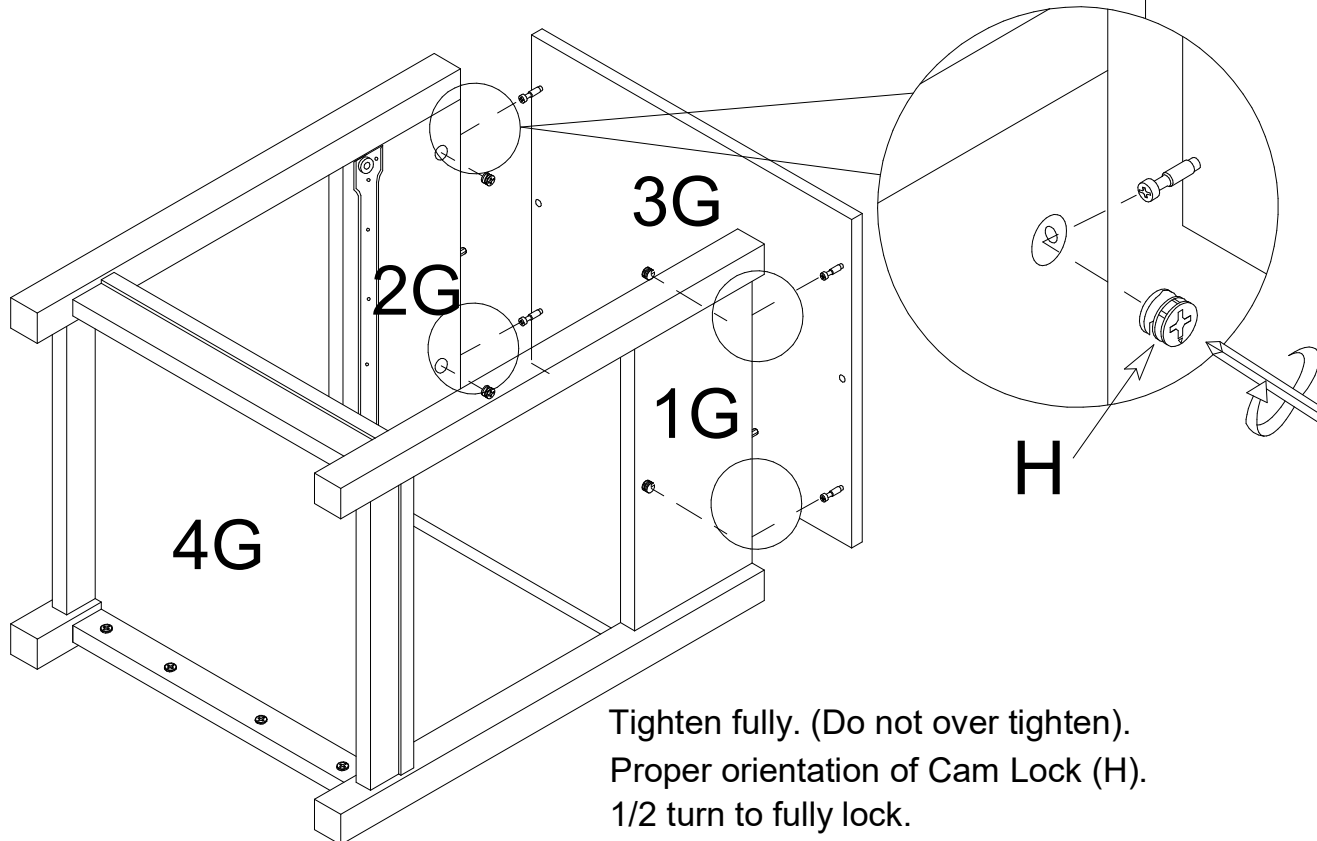
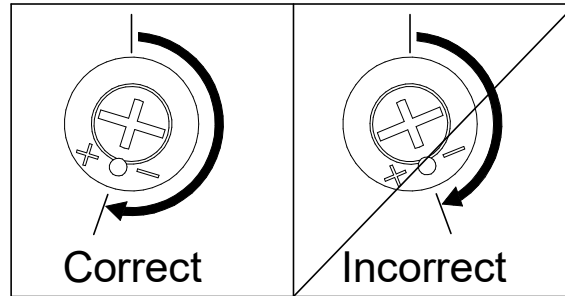
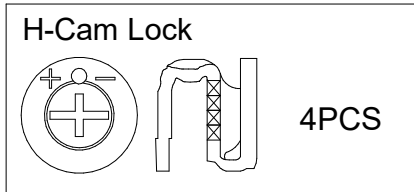
STEP 16.



Tighten fully. (Do not over tighten).
Proper orientation of Cam Lock (H).
1/2 turn to fully lock.

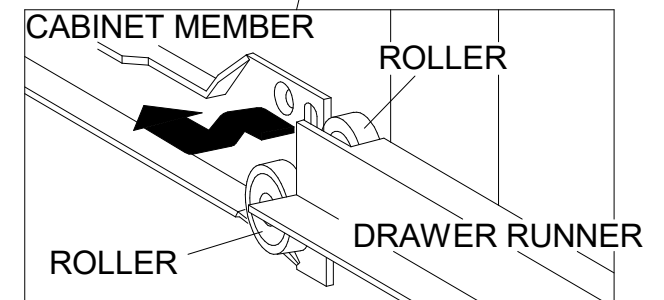
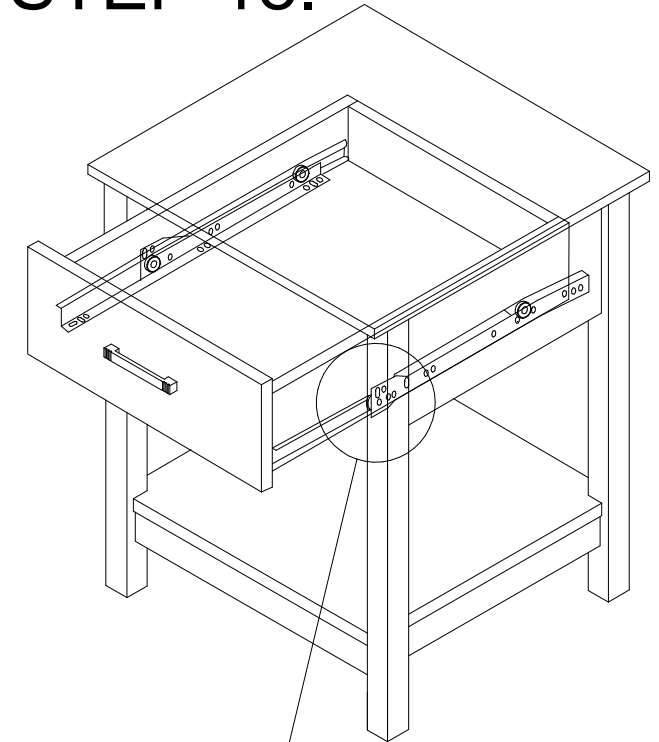
ASSEMBLY INSTRUCTION NIGHT STAND

STEP 17.



Tighten fully. (Do not over tighten).
Proper orientation of Cam Lock (H).
1/2 turn to fully lock.

STEP 18.



Put in drawer on the track.