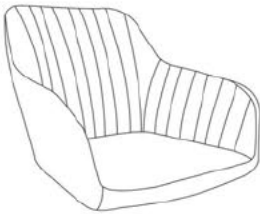

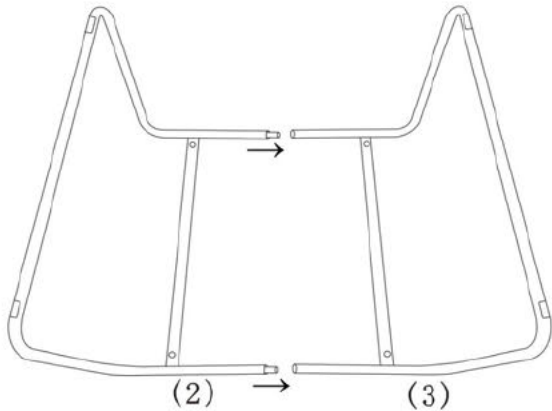
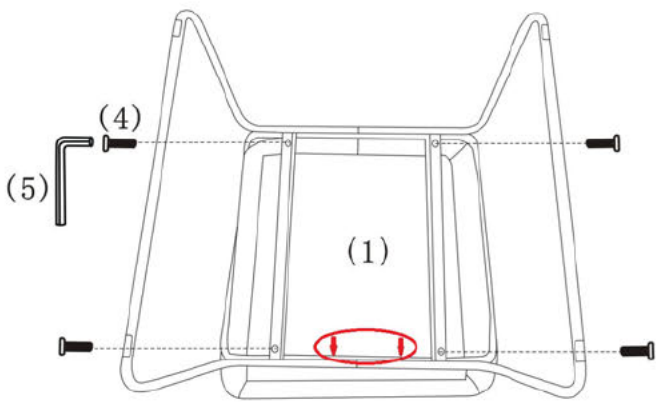





# ASSEMBLY INSTRUCTIONS

<p>(1) X1</p> 	<p>(4) X4</p> 	<p>①</p> 	<p>②</p> 
<p>(2) X1</p> 	<p>(5) X1</p> 	<p>③</p> 	
<p>(3) X1</p> 