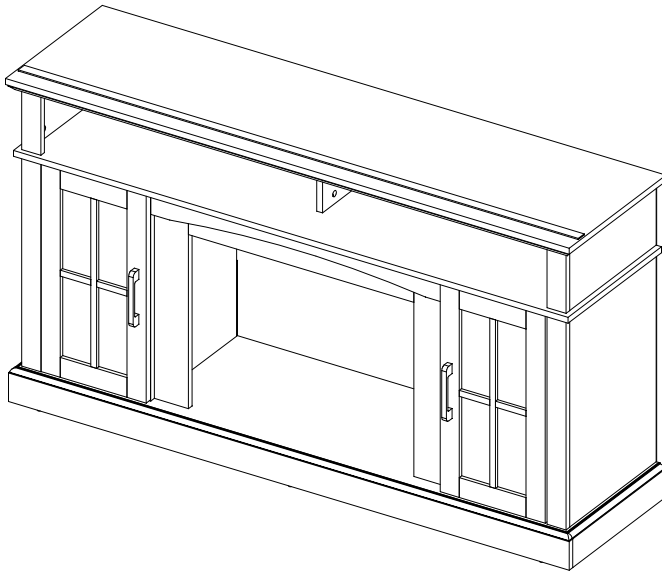


ASSEMBLY INSTRUCTION

58" TV stand

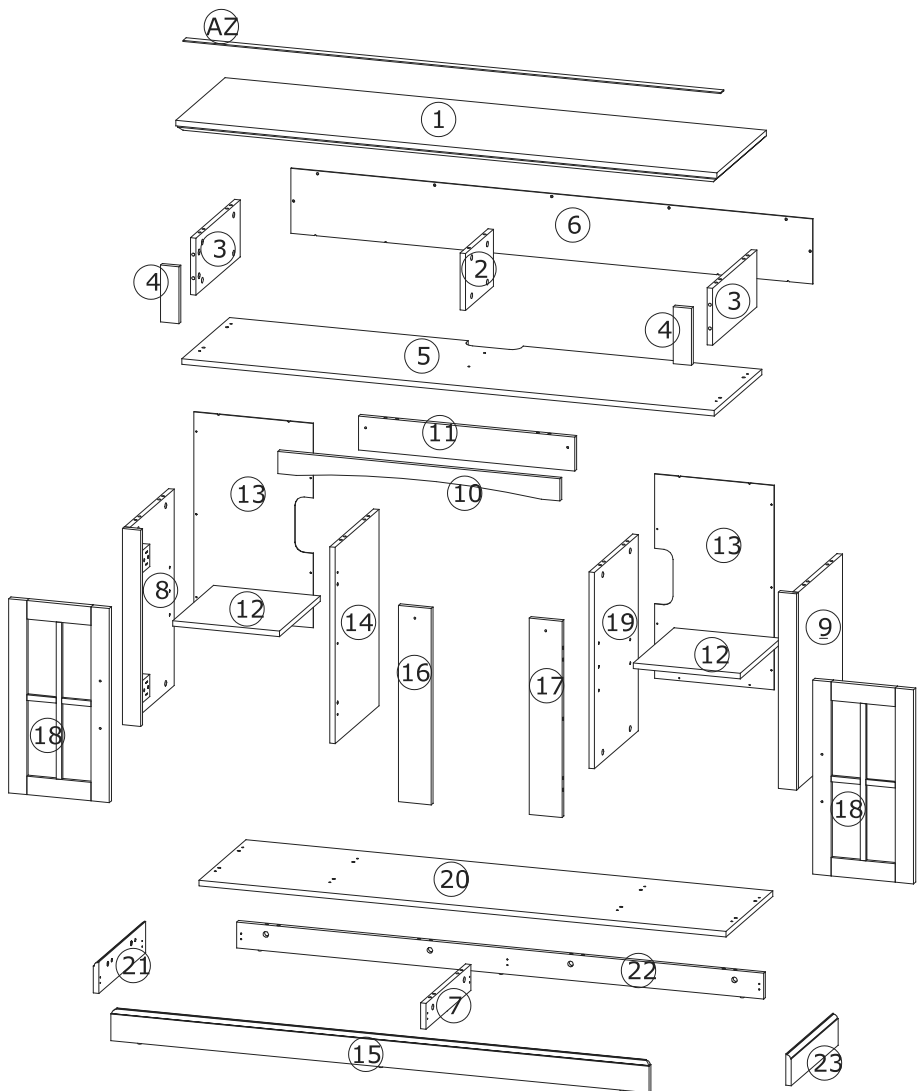


THIS INSTRUCTION BOOKLET IS IMPORTANT. PLEASE READ CAREFULLY.
AND KEEP FOR FUTURE REFERENCE.



Before You Start



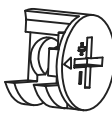




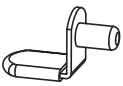


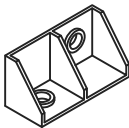

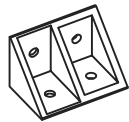



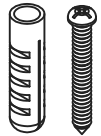

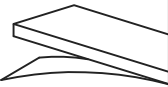
- ⚠ Please read all instructions carefully.
- ⚠ Retain instructions for future reference.
- ⚠ Separate and count all parts and hardware.
- ⚠ Read through each step carefully and follow the proper order.
- ⚠ We recommend that, where possible, all items are assembled near to the area in which they will be placed in use, to avoid moving the product unnecessarily once assembled.
- ⚠ Always place the product on a flat, steady and stable surface.
- ⚠ Keep all small parts and packaging materials for this product away from babies and children as they potentially pose a serious choking hazard.





PACKAGE CONTENT

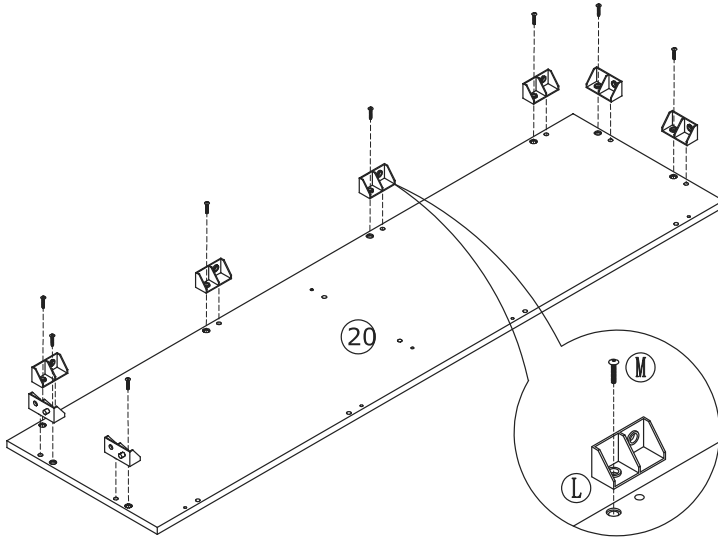
CODR	DESCRIPTION	QTY
1	Countertop Board	1
2	Middle Partition	1
3	Upper Lateral Plate	2
4	Top Vertical	2
5	Laminates	1
6	Upper Back Panel	1
7	Middle Leg	1
8	Lower Left Side Plate	1
9	Lower Right Side Plate	1
10	Lintel Strip	1
11	Center Bar	1
12	Storage Shelf	2
13	Lower Back Panel	2
14	Left Middle Plate	1
15	Forefoot Strip	1
16	Left Frame Plate	1
17	Right Frame Plate	1

18	Cabinet Door	2
19	Right Middle Plate	1
20	Bottom Plate	1
21	Left Leg	1
22	Back Leg	1
23	Right Leg	1

<p>(A)</p>  <p>x 46+1</p>	<p>(B)</p> <p>Ø8x30mm</p>  <p>x 36+1</p>	<p>(C)</p> <p>Ø15</p>  <p>x 46+1</p>	<p>(D)</p> <p>Ø3.9x15mm Black</p>  <p>x 24+1</p>
<p>(E)</p>  <p>x 4</p>	<p>(F)</p>  <p>x 2</p>	<p>(H)</p> <p>Ø5/32" x 22mm</p>  <p>x 4</p>	<p>(I)</p>  <p>x 8</p>
<p>(J)</p> <p>Ø3.5x16mm</p>  <p>x 27+1</p>	<p>(K)</p> <p>Ø3.9x15mm Silvery</p>  <p>x 24+1</p>	<p>(L)</p> <p>58*29*29</p>  <p>x 8</p>	<p>(M)</p> <p>Ø1/4" x 15mm</p>  <p>x 16</p>
<p>(N)</p> <p>32*19*19mm</p>  <p>x 6</p>	<p>(O)</p> <p>Ø3.9x25mm</p>  <p>x 8</p>	<p>(P)</p>  <p>x 46</p>	<p>(Q)</p>  <p>x 2+4</p>
<p>(R)</p> <p>32*19*19mm</p>  <p>x 2+2</p>	<p>(Y)</p>  <p>x 2</p>	<p>(AZ)</p>  <p>x 1</p>	

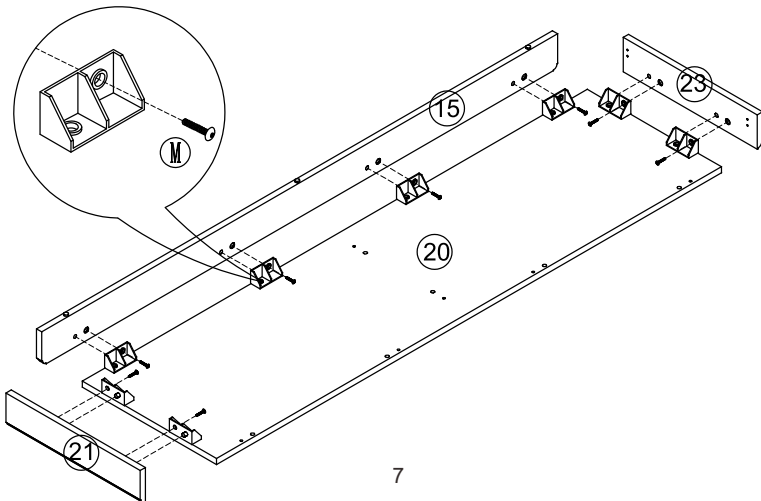
Step 1

L		8
M		8





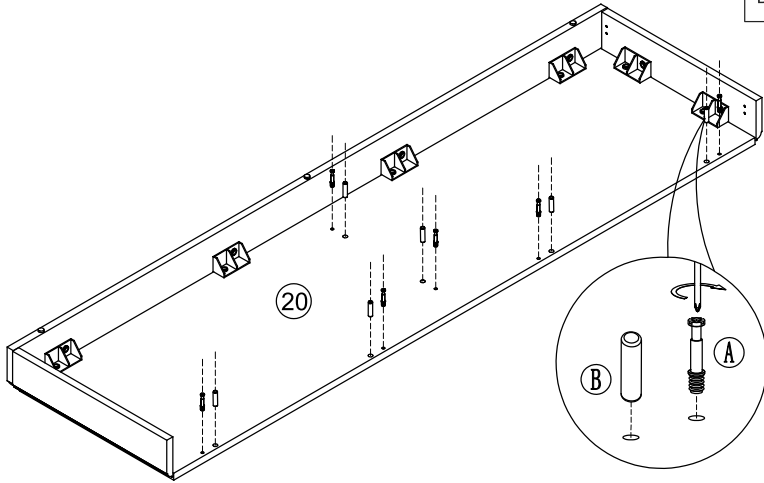
Step 2

M		8
---	---	---




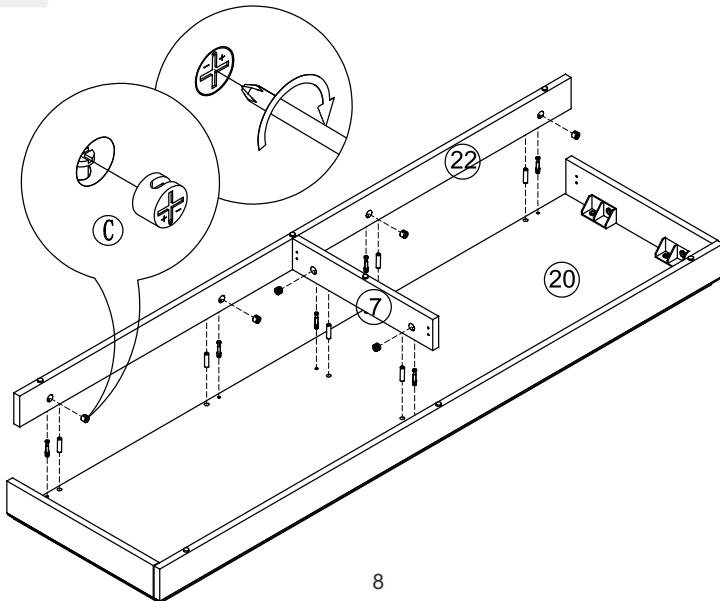
Step 3

A		6
B		6

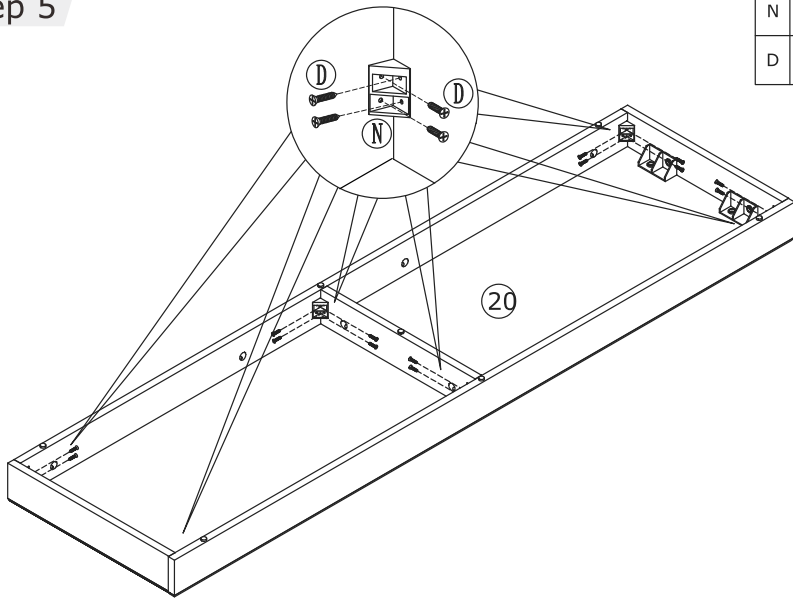


Step 4

C		6
---	---	---

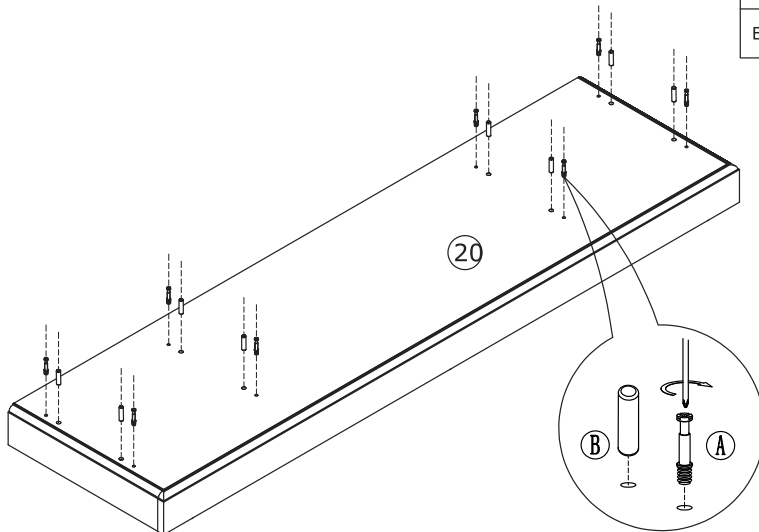


Step 5




N		6
D		24

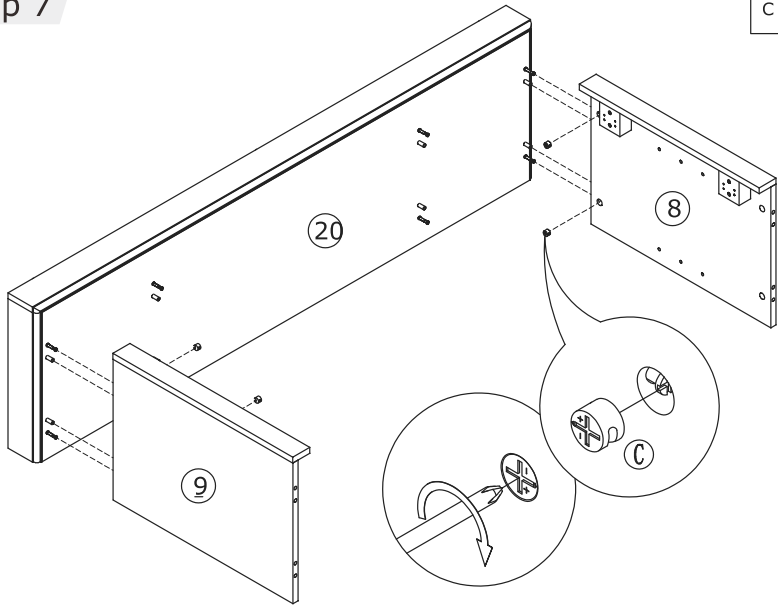
Step 6



A		8
B		8

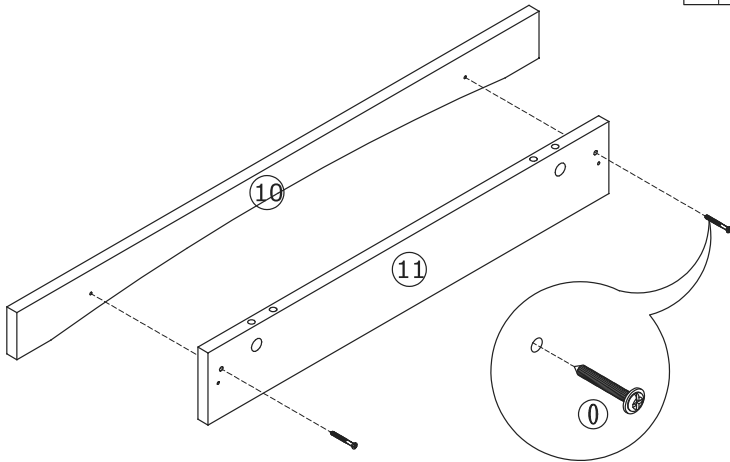
Step 7

C		4
---	--	---

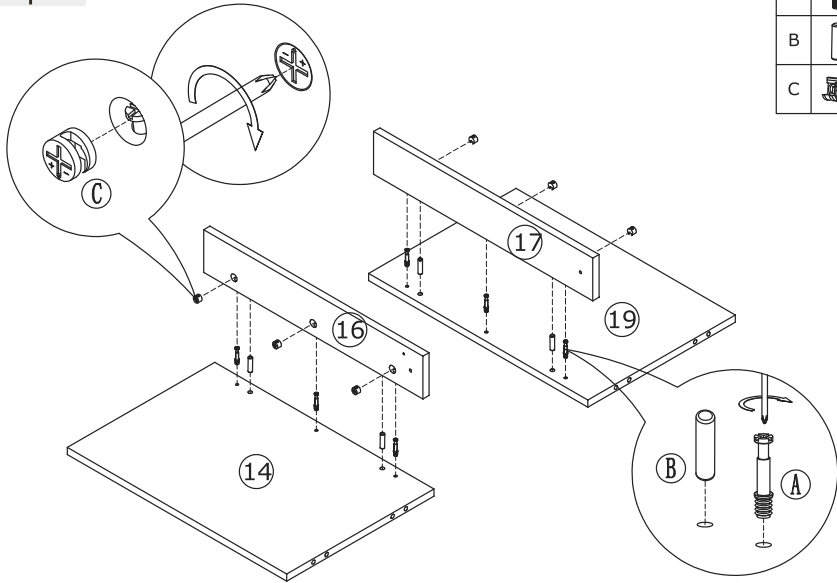


Step 8

O		2
---	---	---

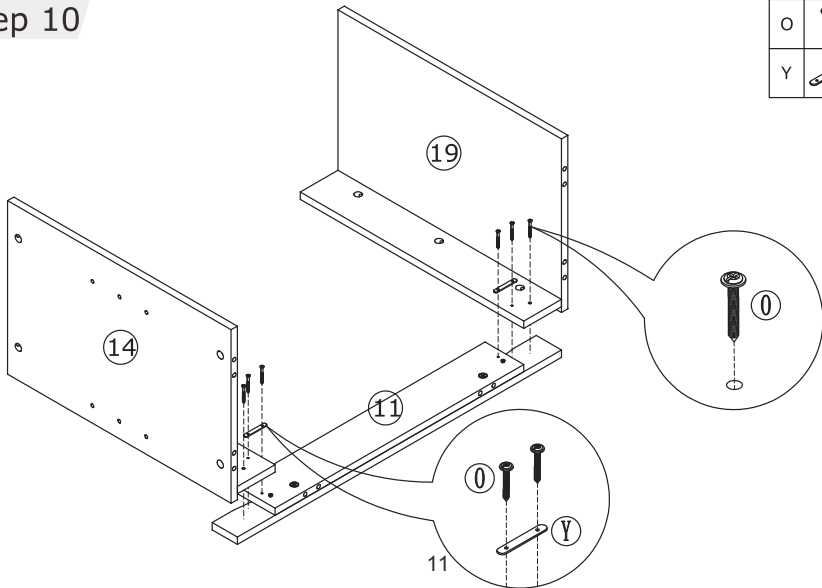


Step 9




A		6
B		4
C		6

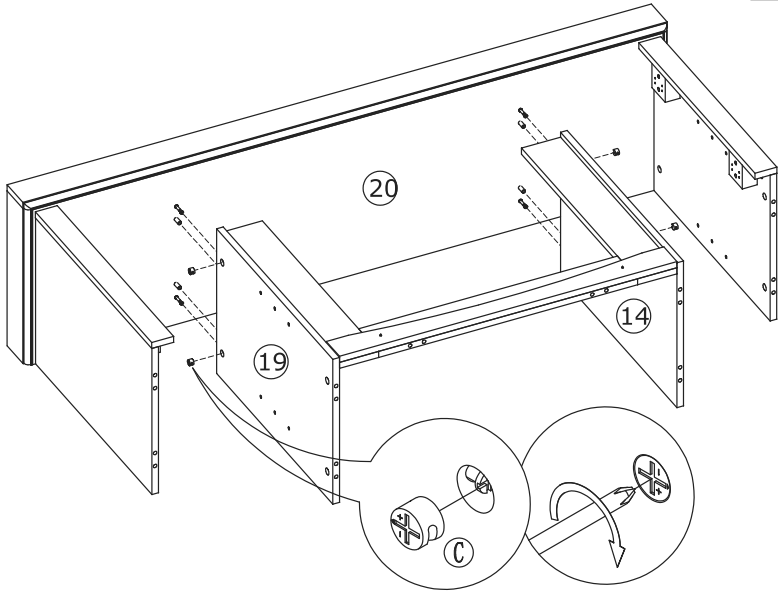
Step 10




O		6
Y		2

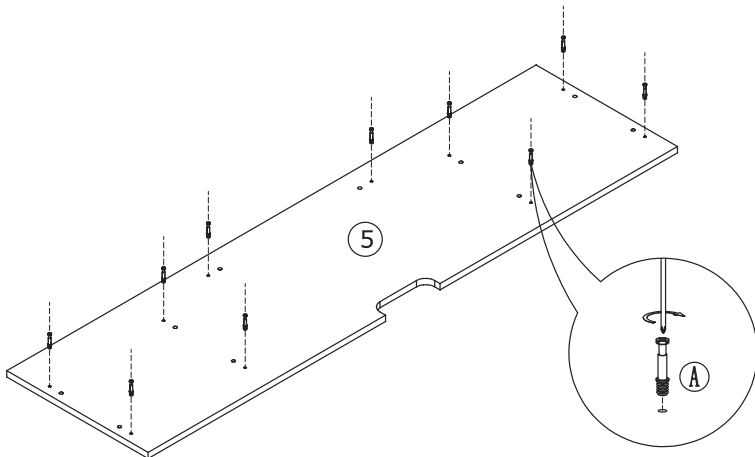
Step 11

C		4
---	--	---





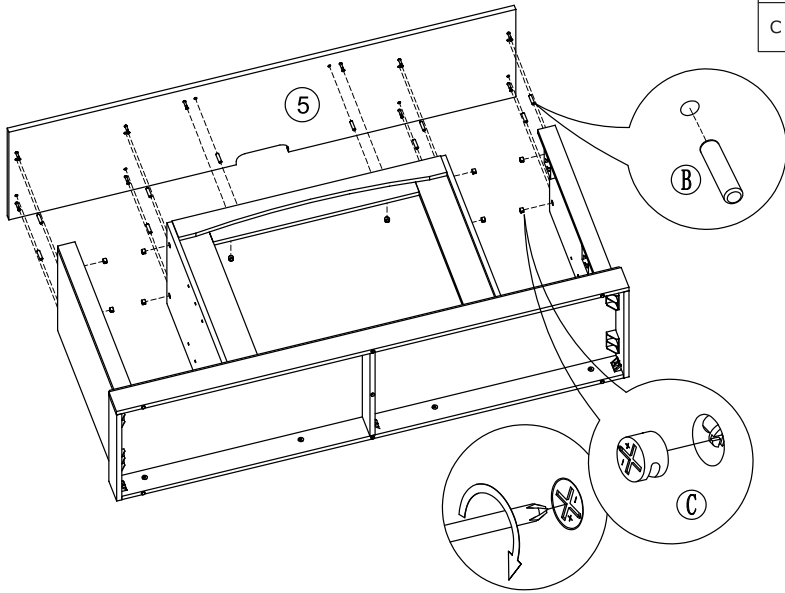
Step 12

A		10
---	---	----





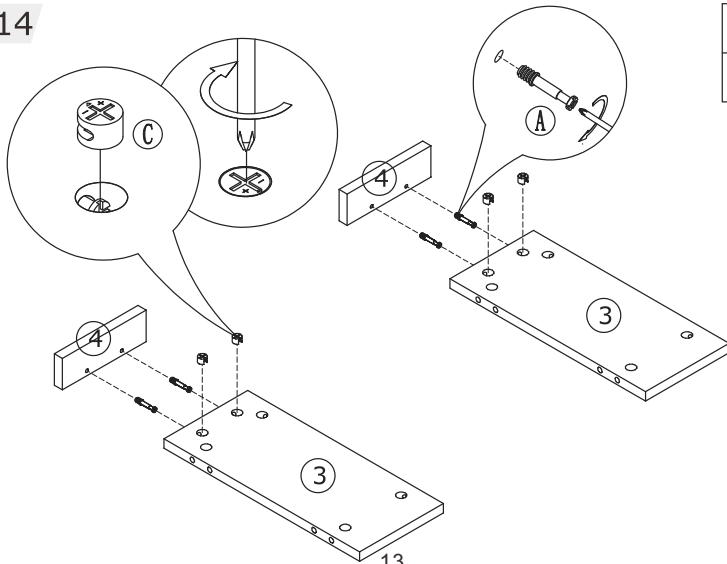
Step 13

B		10
C		10

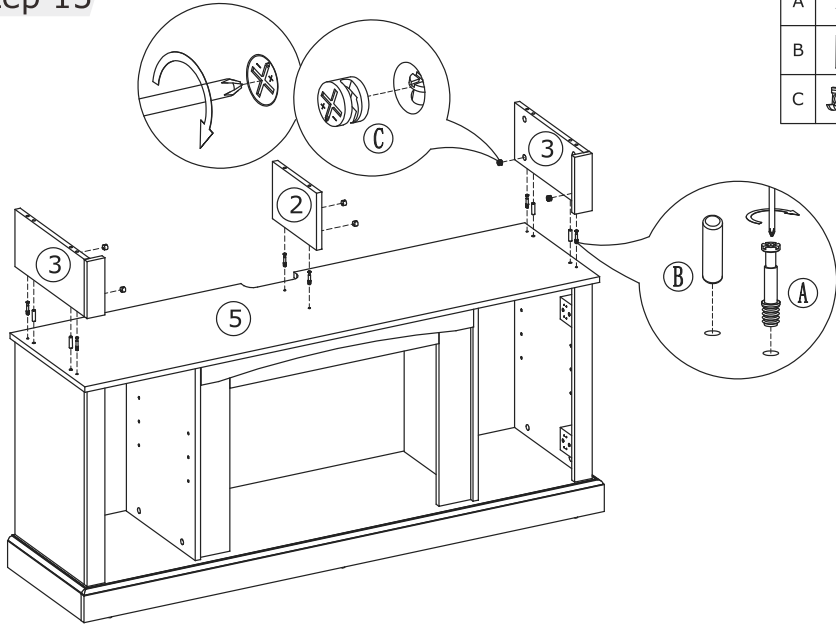


Step 14

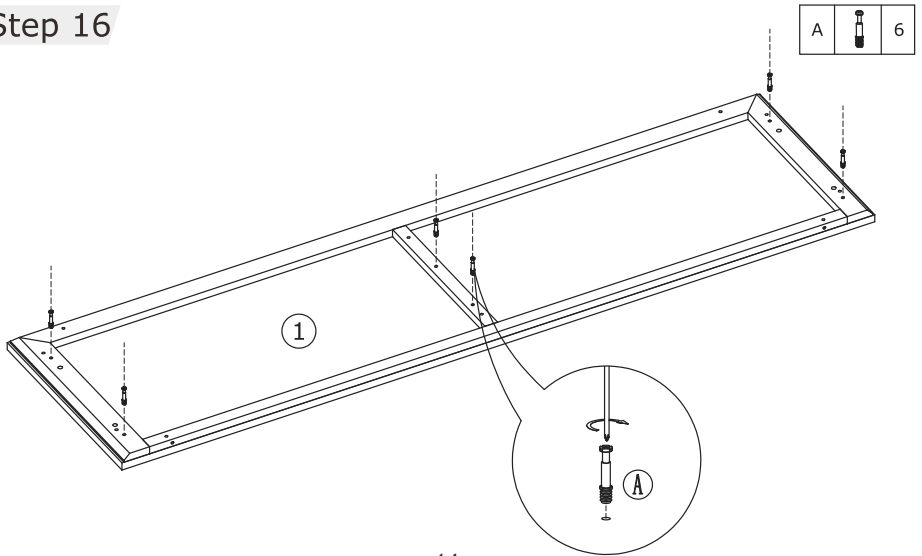
A		4
C		4





Step 15

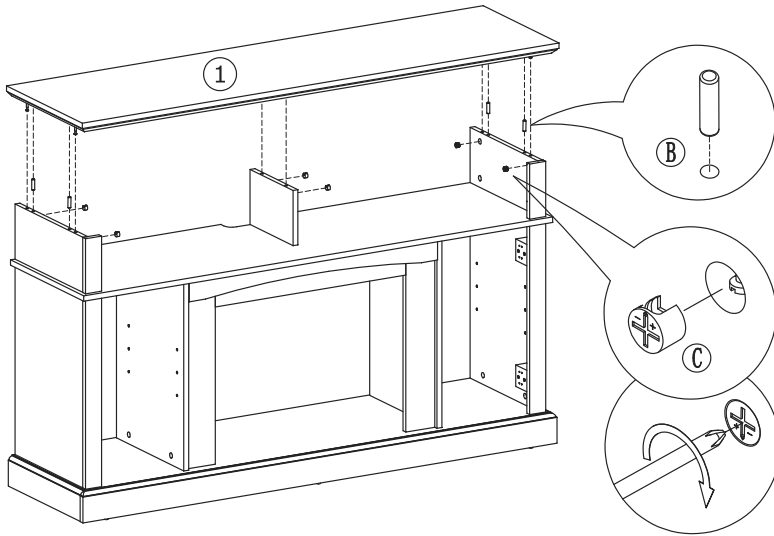


Step 16





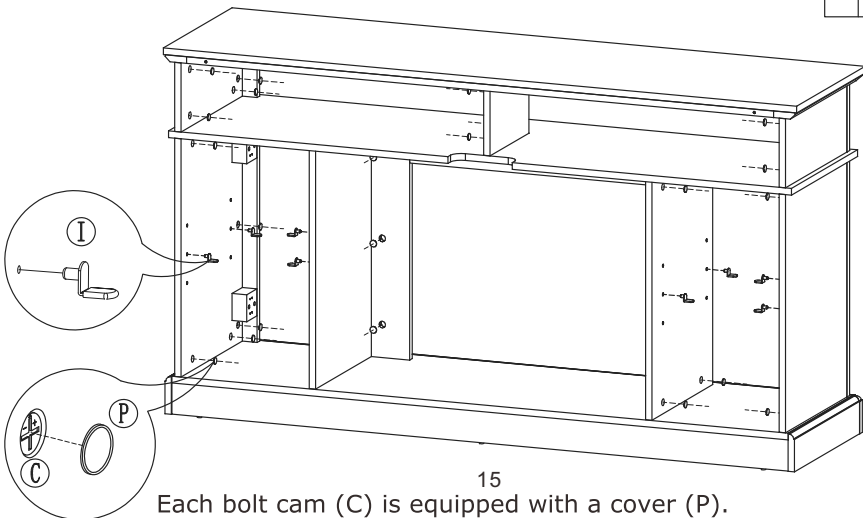
Step 17

B		4
C		6

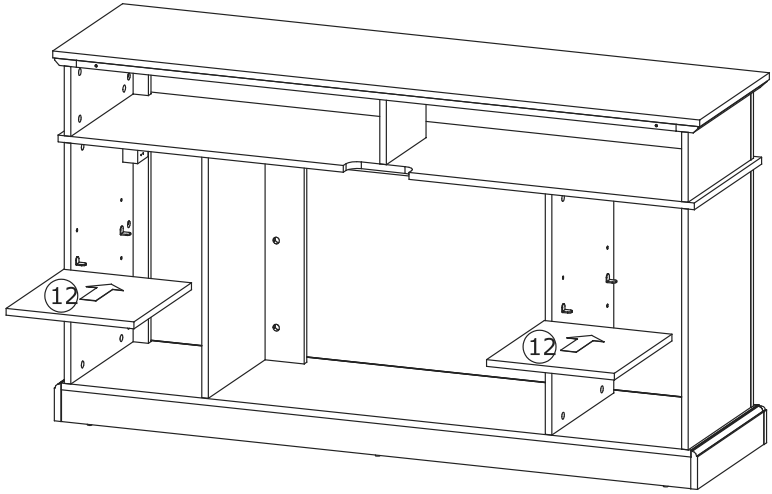


Step 18

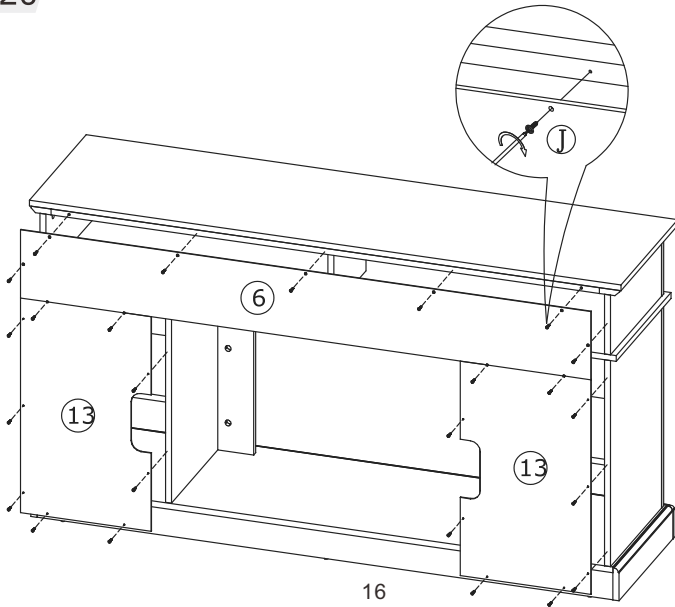
I		8
P		46







Step 19

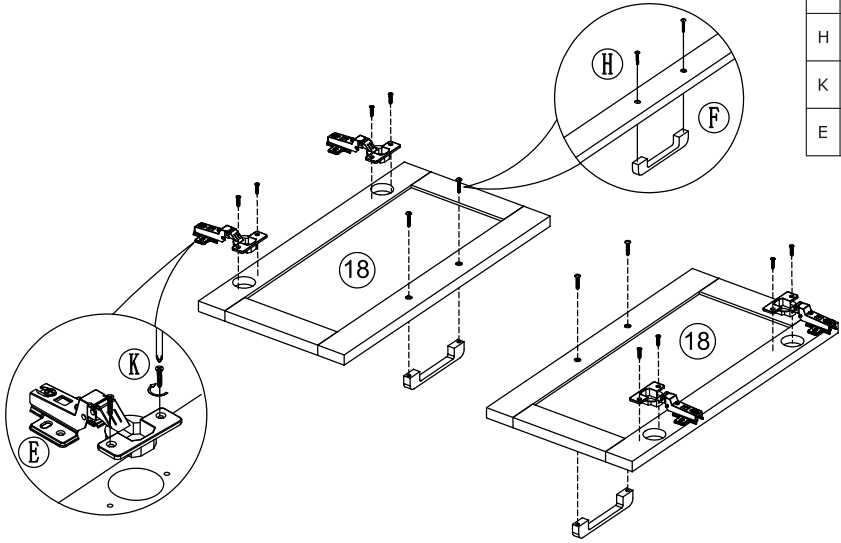


Step 20



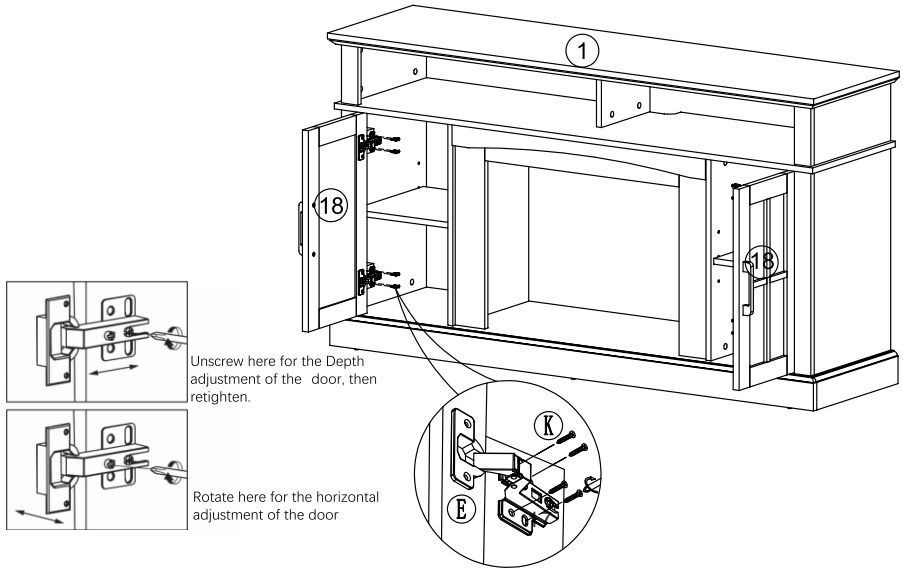
Step 21

F		2
H		4
K		8
E		4




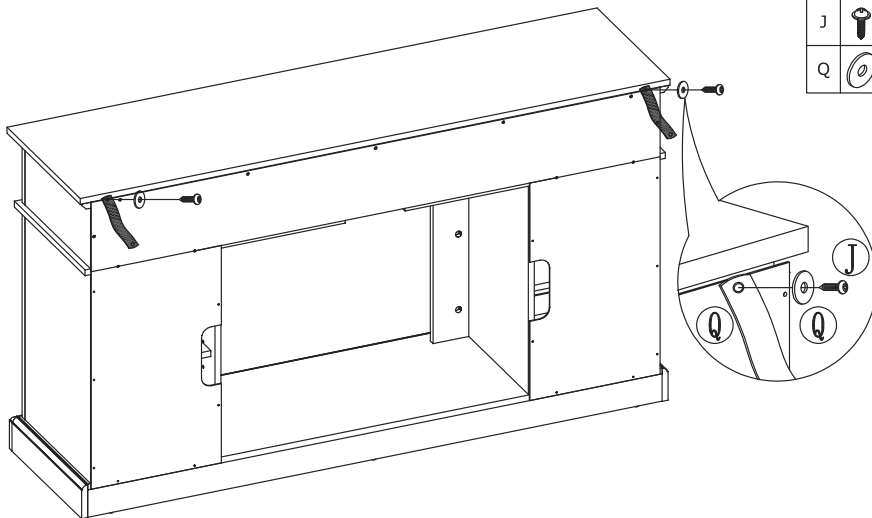
Step 22

K		16
---	---	----





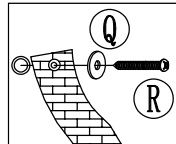
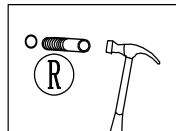
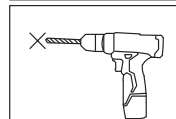
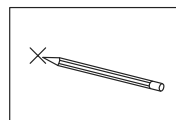
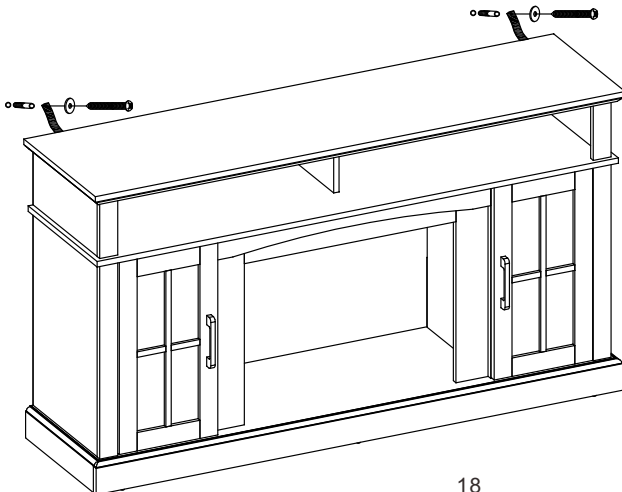
Step 23

Q		2
J		2
Q		2



Step 24

R		2
Q		2



Step 25

