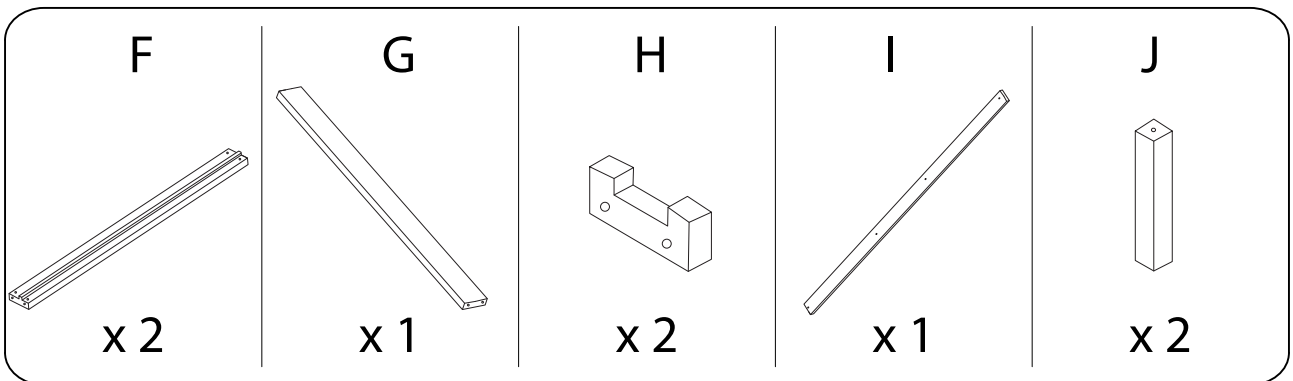
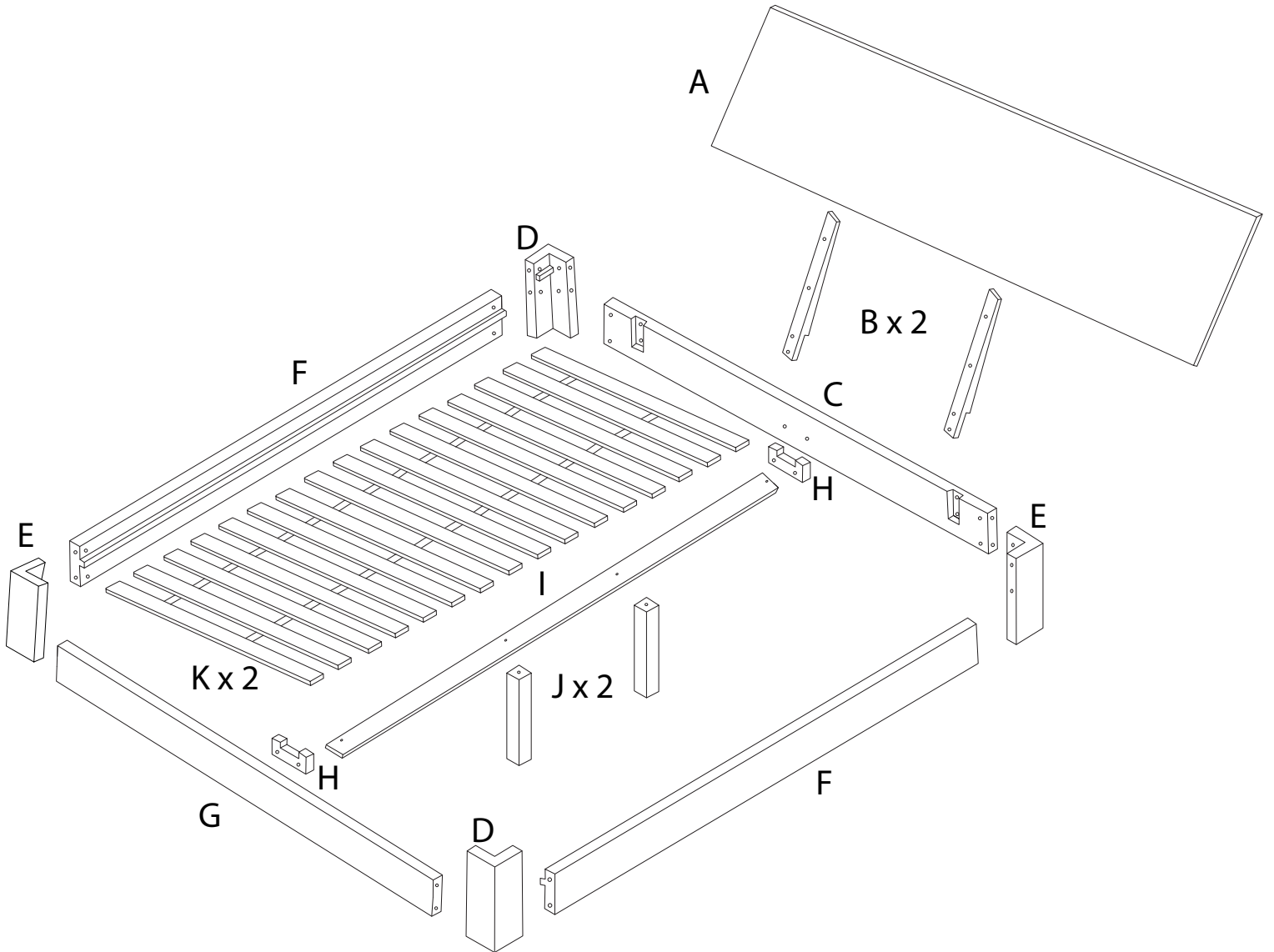
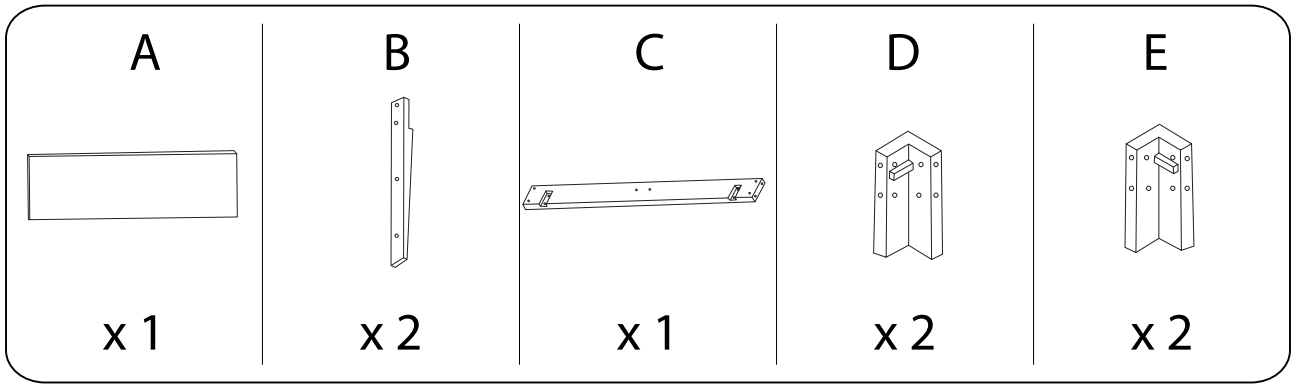
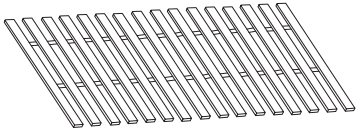


Assembly instructions for step 1/7:

- Tools:** A circle containing a screwdriver and an L-shaped Allen key. A power drill is shown with a diagonal line through it, indicating it should not be used.
- Warning:** A triangle with an exclamation mark.
- Time:** A clock icon with the text "45'" below it, indicating the estimated assembly time.
- Personnel:** A stick figure icon with the number "1" below it, indicating that one person is required for assembly.

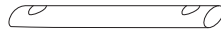


K



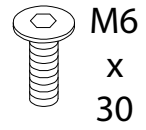
x 2

L



x 16

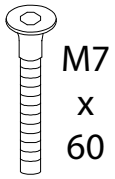
M



M6
x
30

x 40

N



M7
x
60

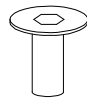
x 2

O



x 1

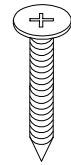
P



M8
x
20

x 4

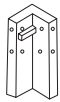
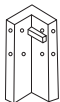
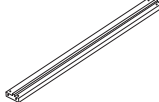


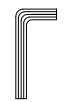
Q

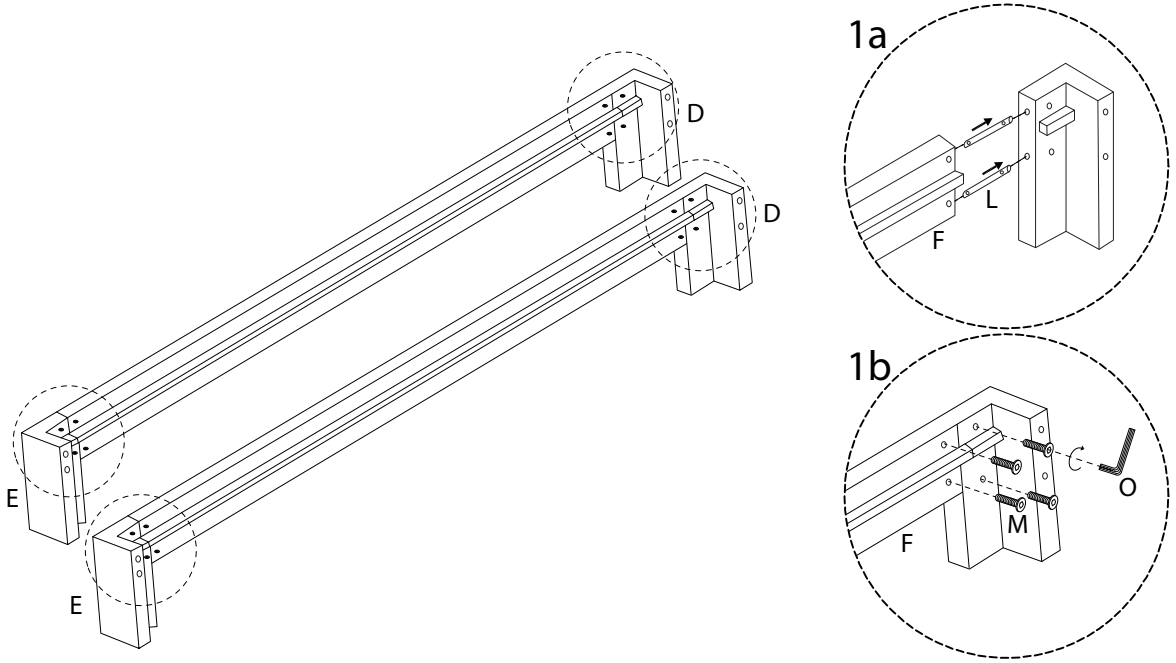


M3.5
x
30

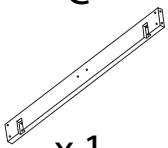
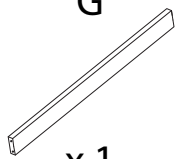
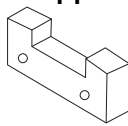
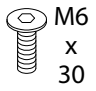
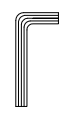
x 16

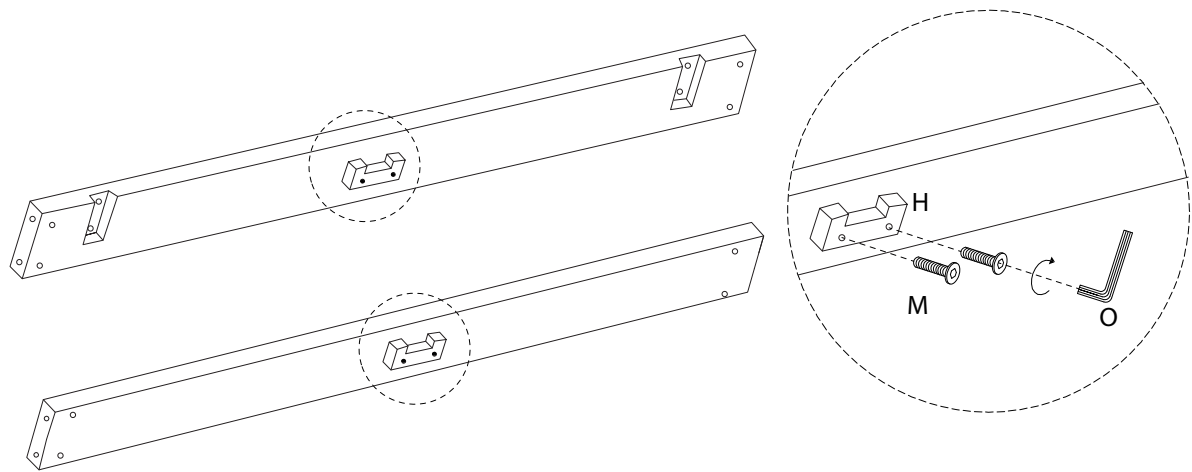
1

D  x2	E  x2	F  x2	L  x8	M  x16	O  x1
---	---	---	--	--	---

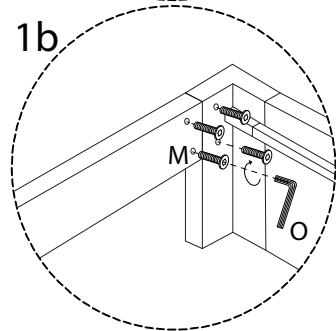
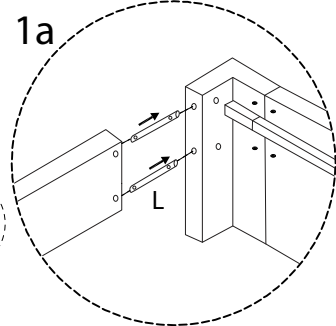
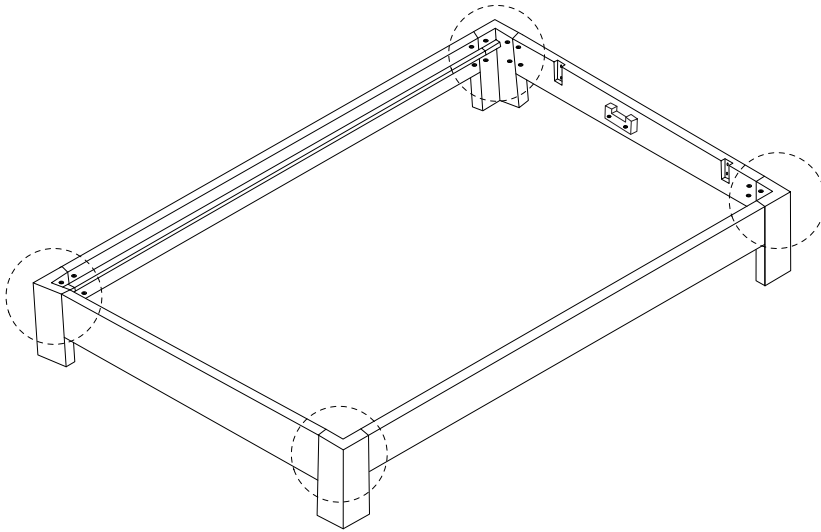
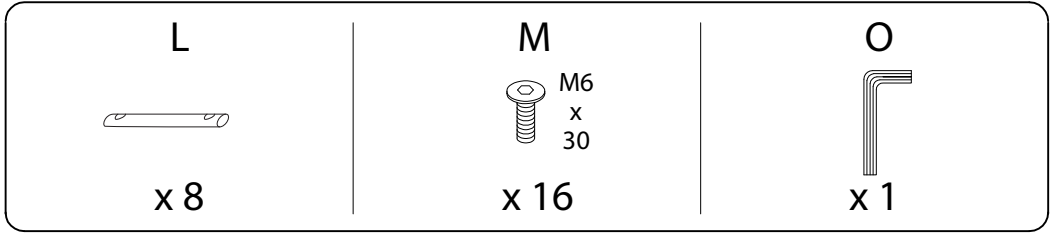


2

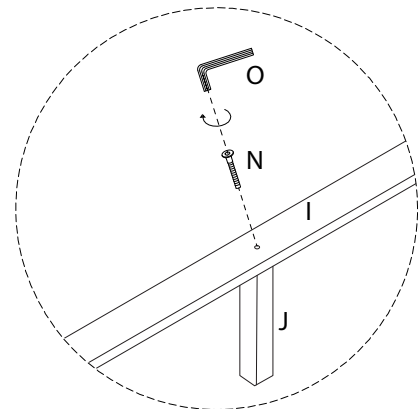
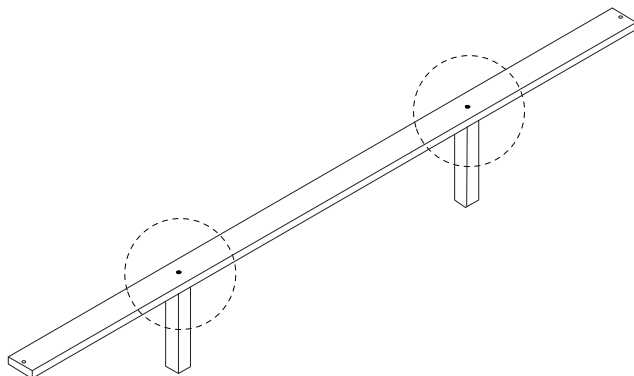
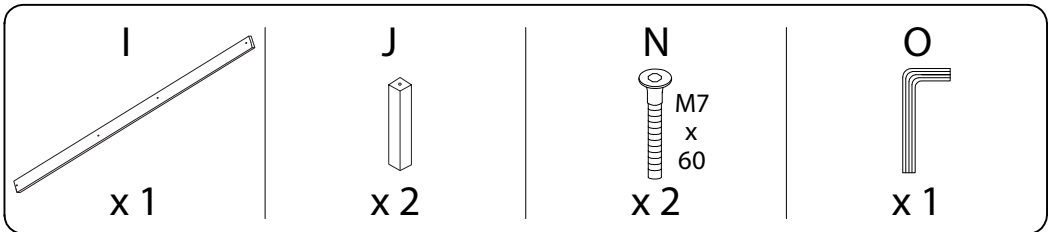
C  x1	G  x1	H  x2	M  x4	O  x1
---	---	---	---	---



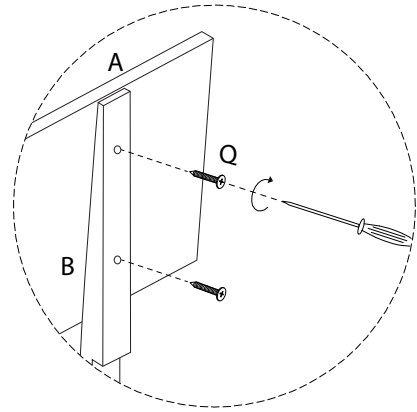
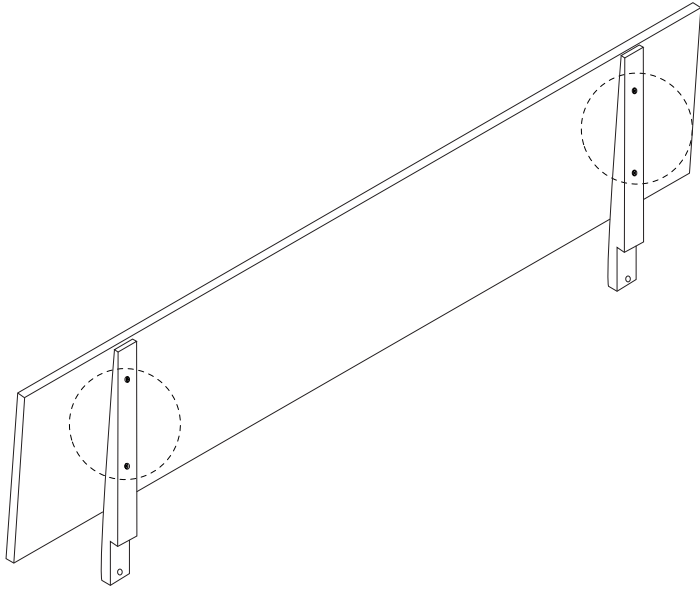
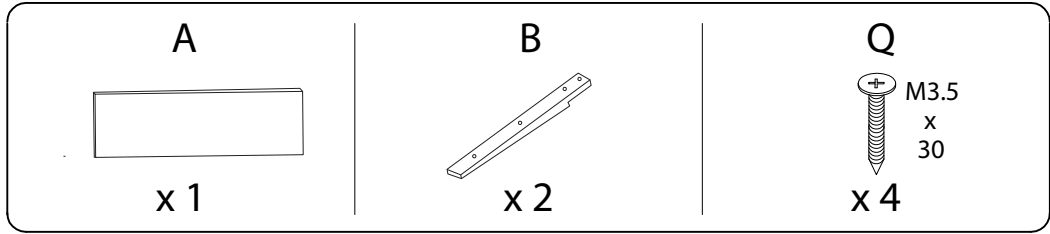
3



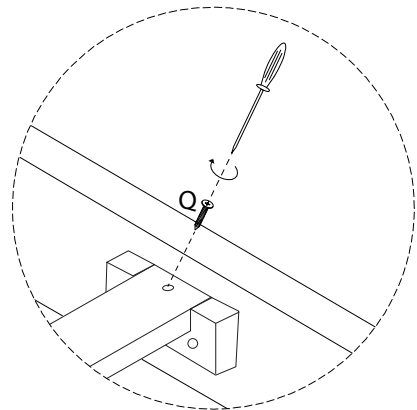
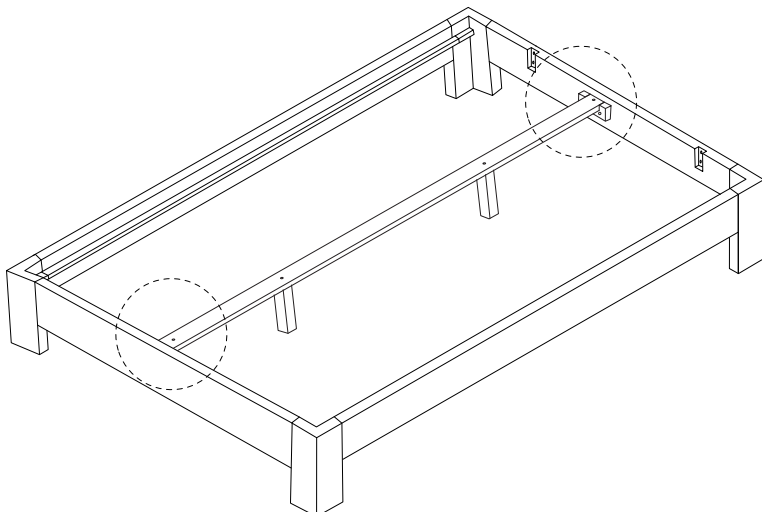
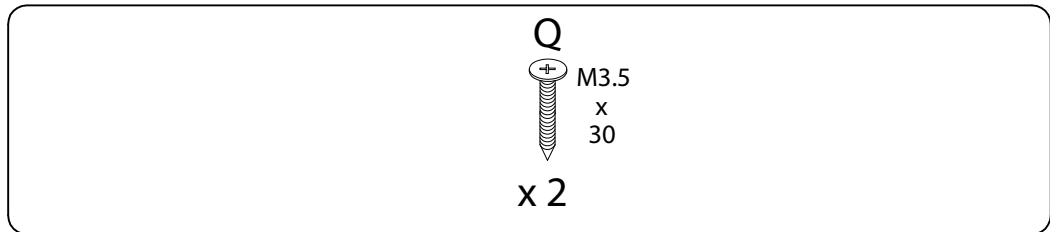
4



5



6



7

M

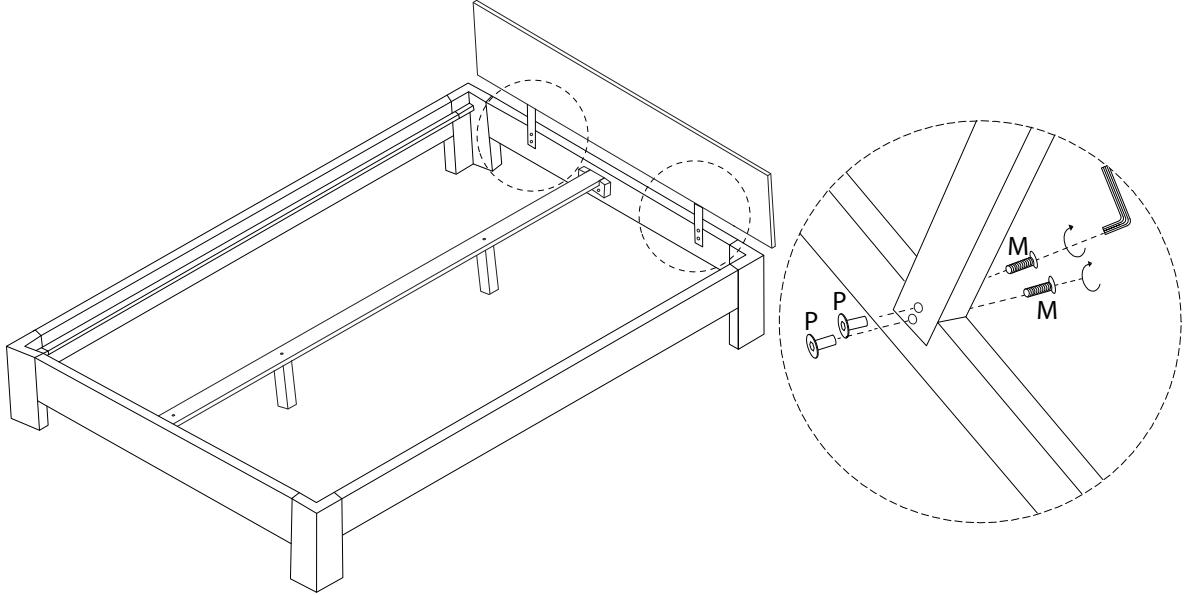


x 4

P

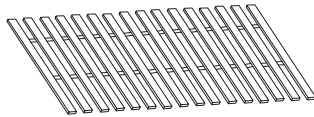


x 4



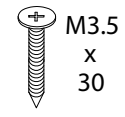
8

K



x 2

Q



x 12

