



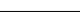






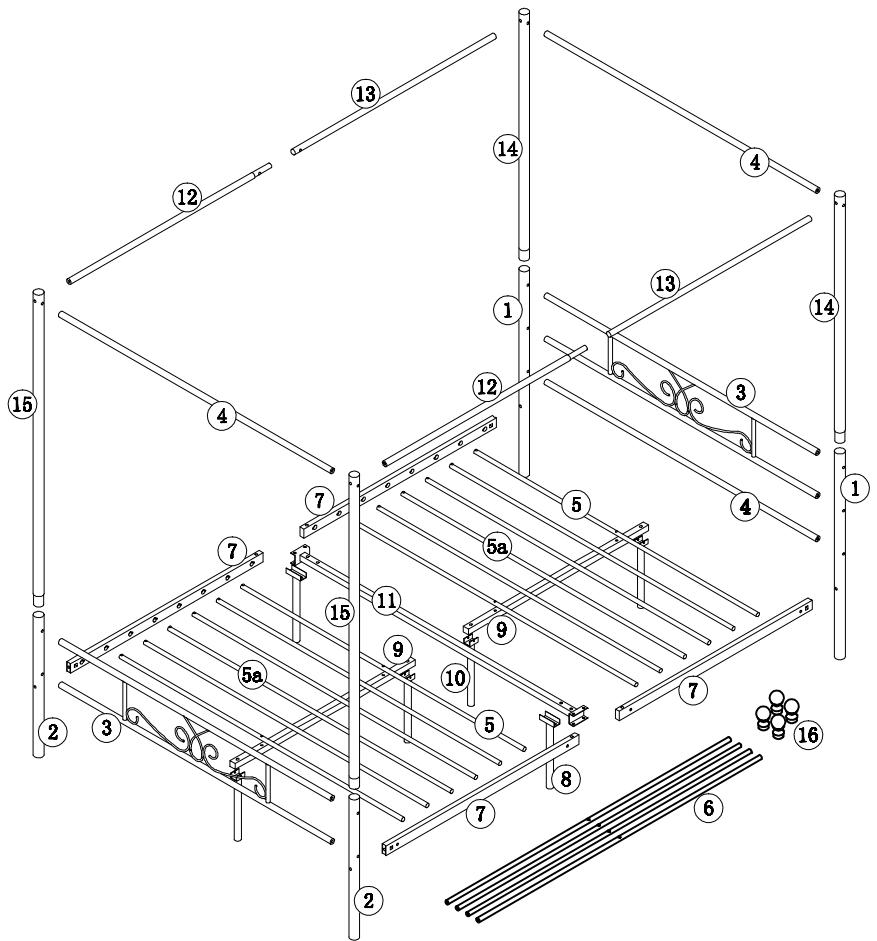
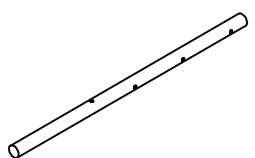
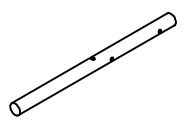
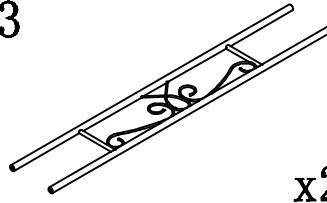
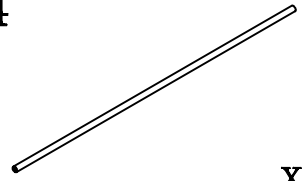
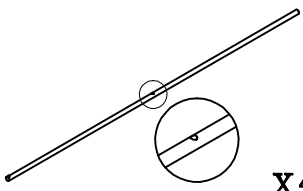
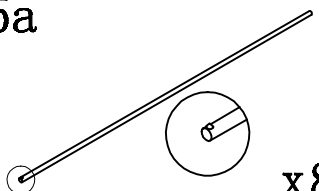
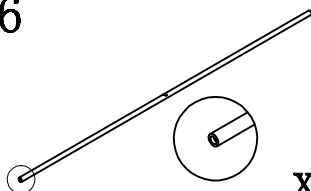
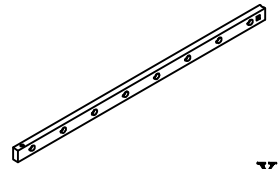
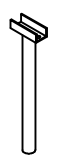
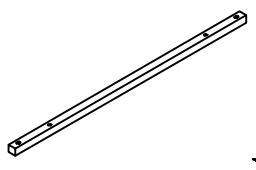
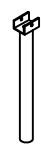
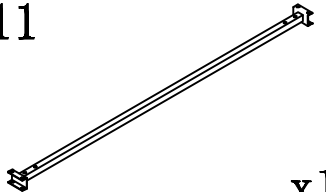
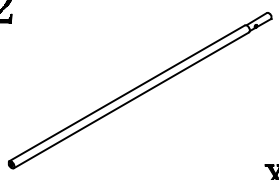
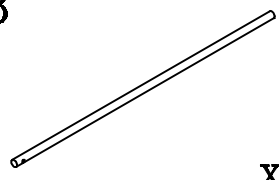
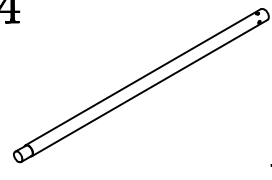
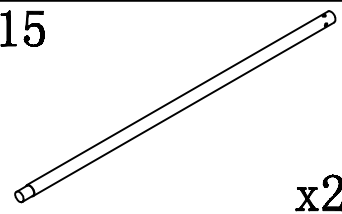
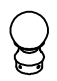


Size: 83*61.4*77.5in/211*156*197cm

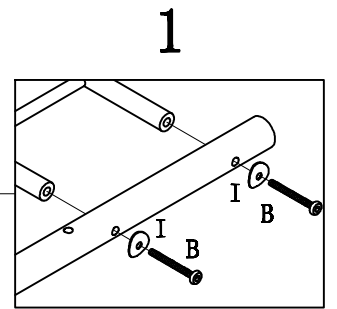
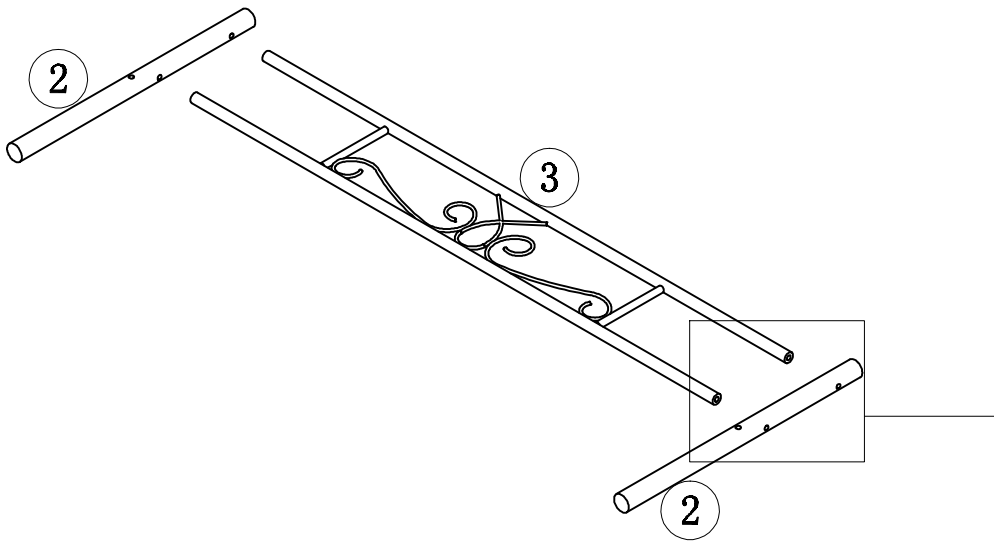
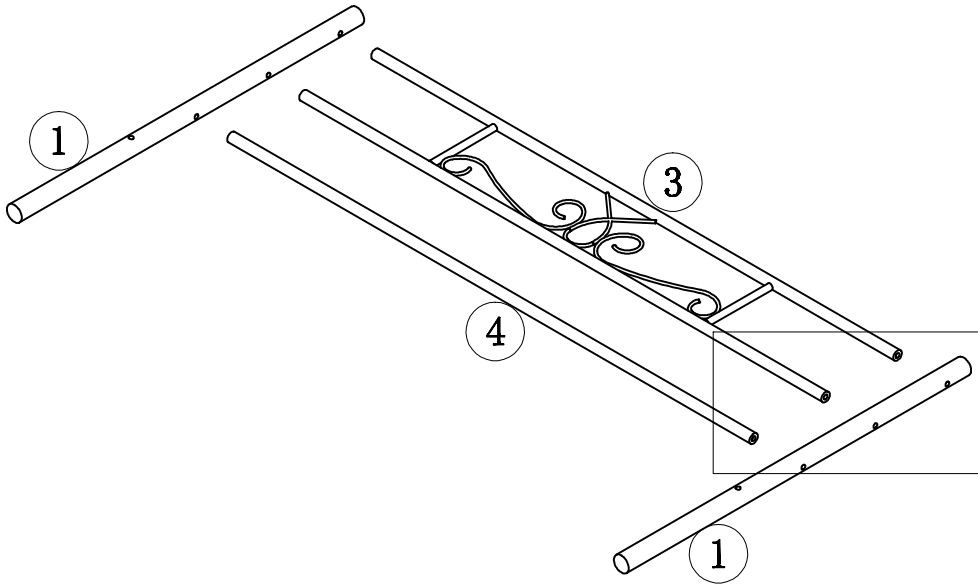
Notice: It's suggested to use the spring mattress on this bed frame. As for the sponge or latex mattress are so soft that will incur uneven stress which may hurt the bed frame and yoursafety.



A		M8x70mm	x4
B		M6x60mm	x22
C		M6x50mm	x8
D		M6x35mm	x4
E		M6x20mm	x8
F		M6x15mm	x2
G			x4
H		M6	x12
I		M6	x26
J			x1
K			x1



1		x2
2		x2
3		x2
4		x3
5		x4
5a		x8
6		x4
7		x4
8		x2
9		x2
10		x4
11		x1
12		x2
13		x2
14		x2
15		x2
16		x4

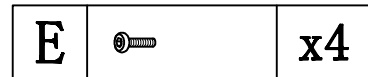
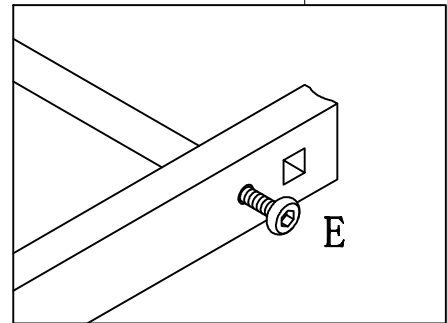
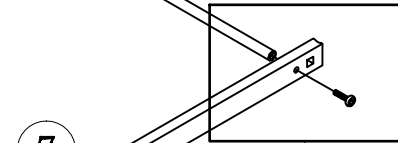
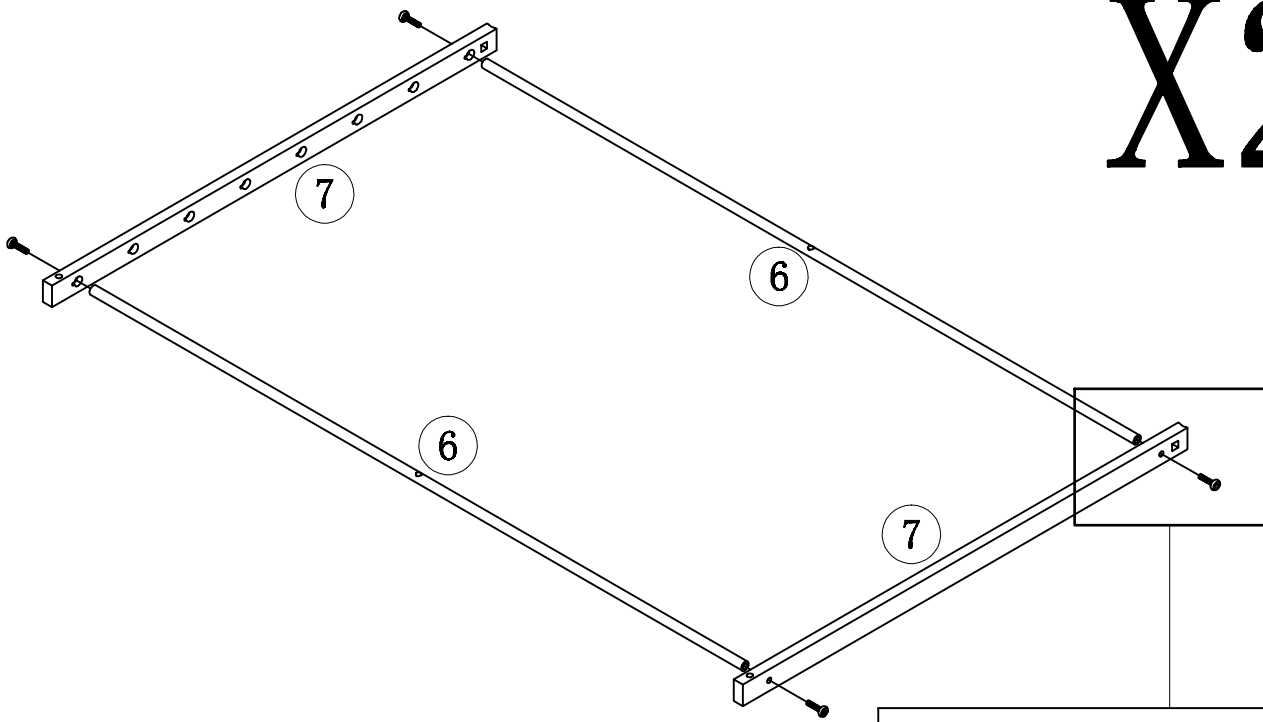
STEP 1



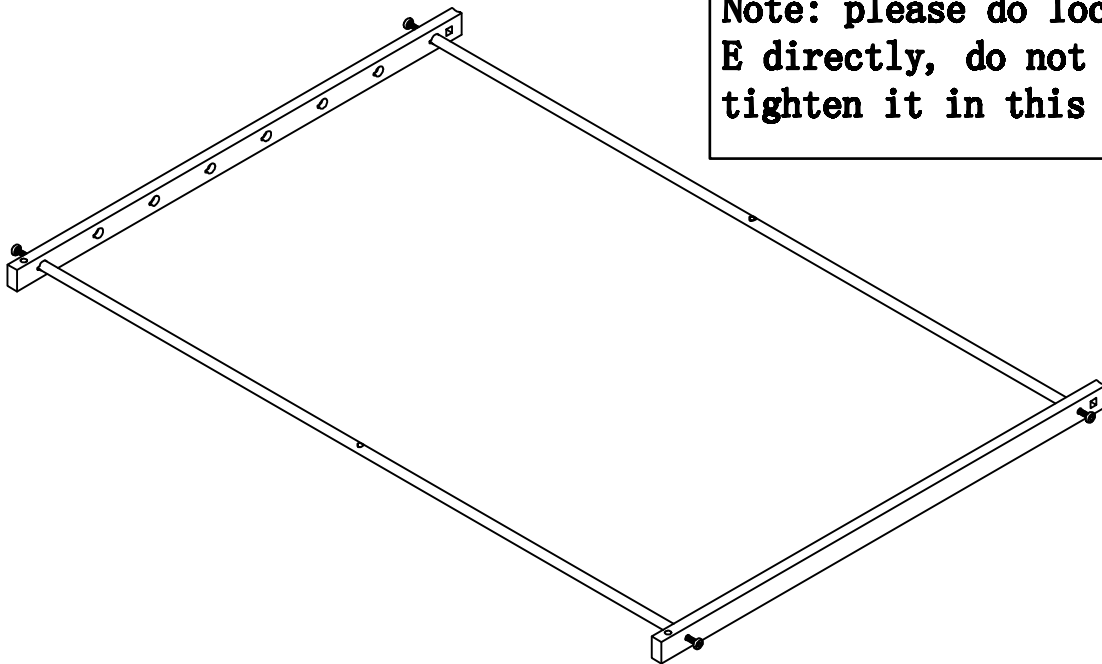
B		x10
I		x10

STEP 2

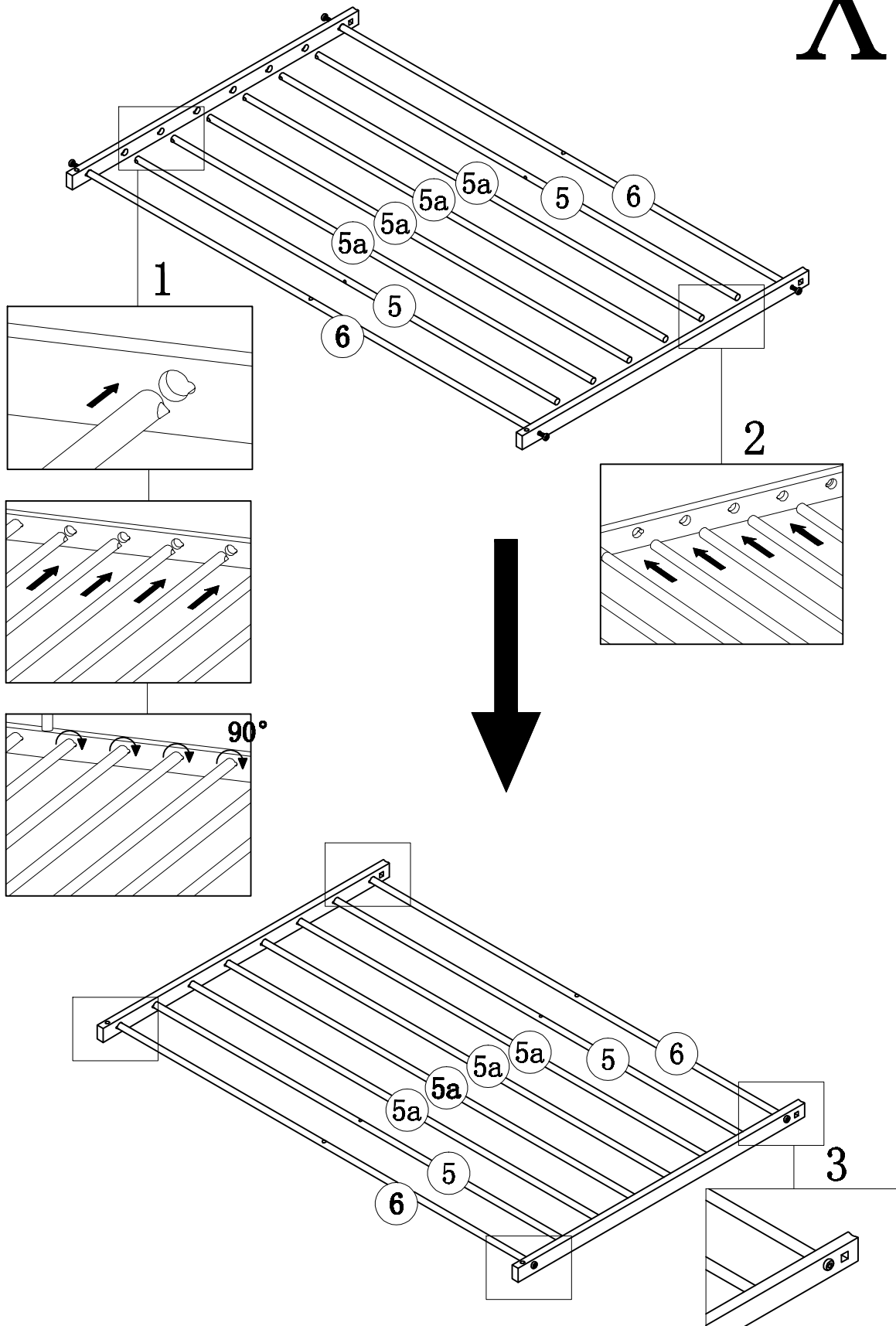
X2



Note: please do lock the screw E directly, do not need to tighten it in this step.

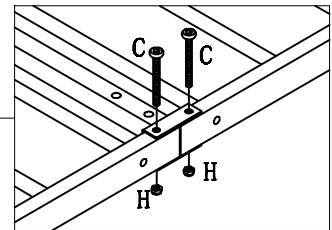
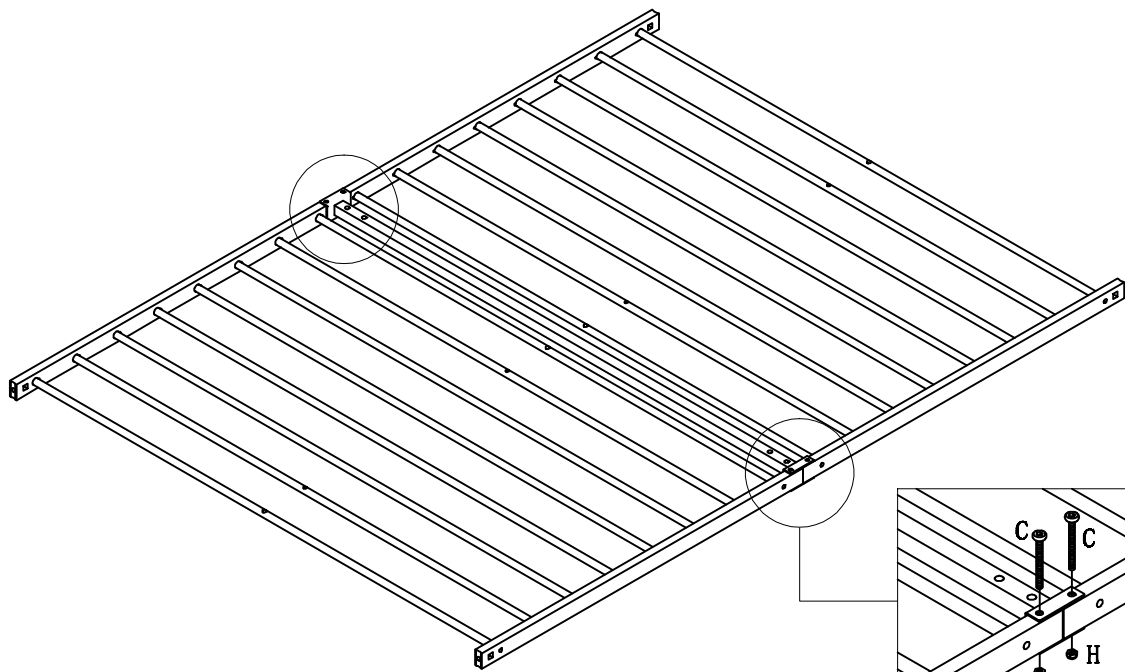
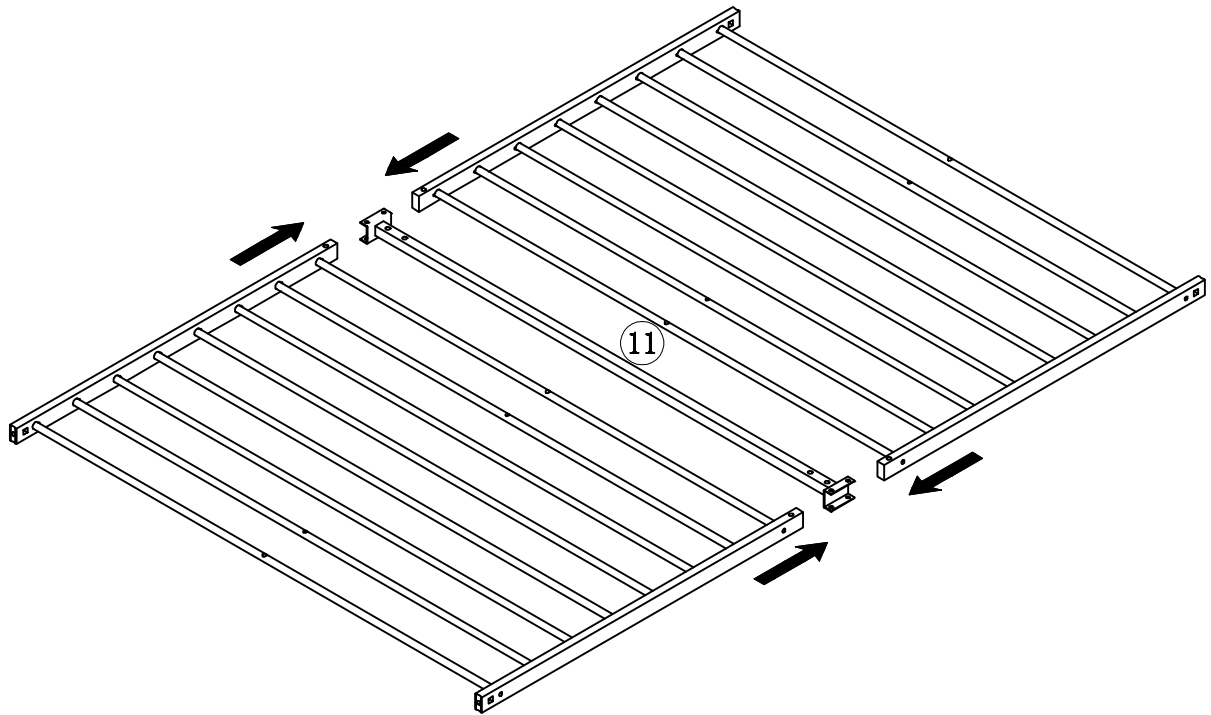




X2



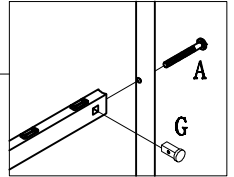
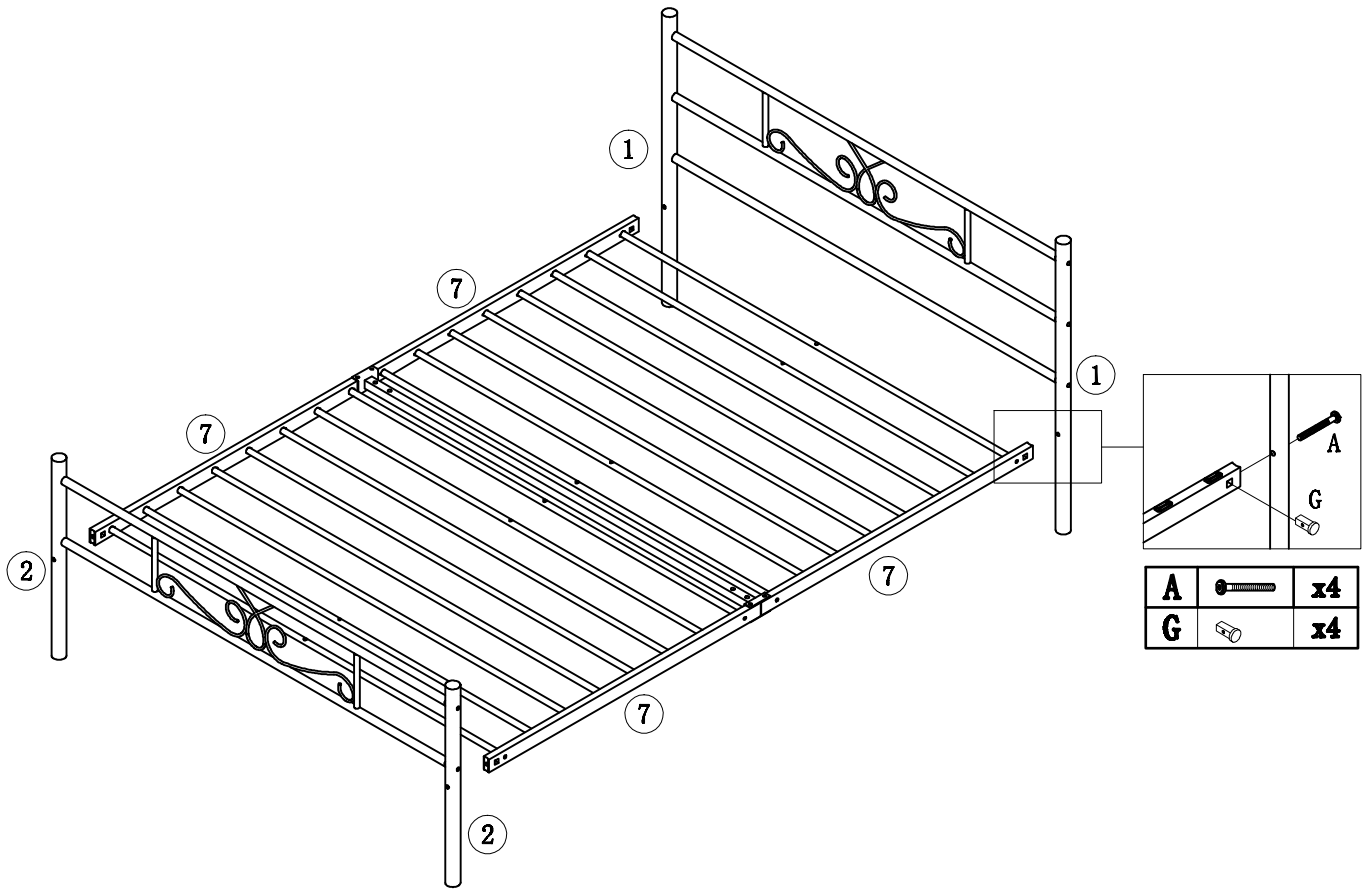
Tighten the screw E after assembling part 5 and part 5a.

STEP 4



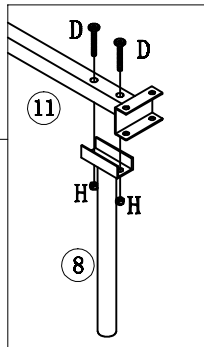
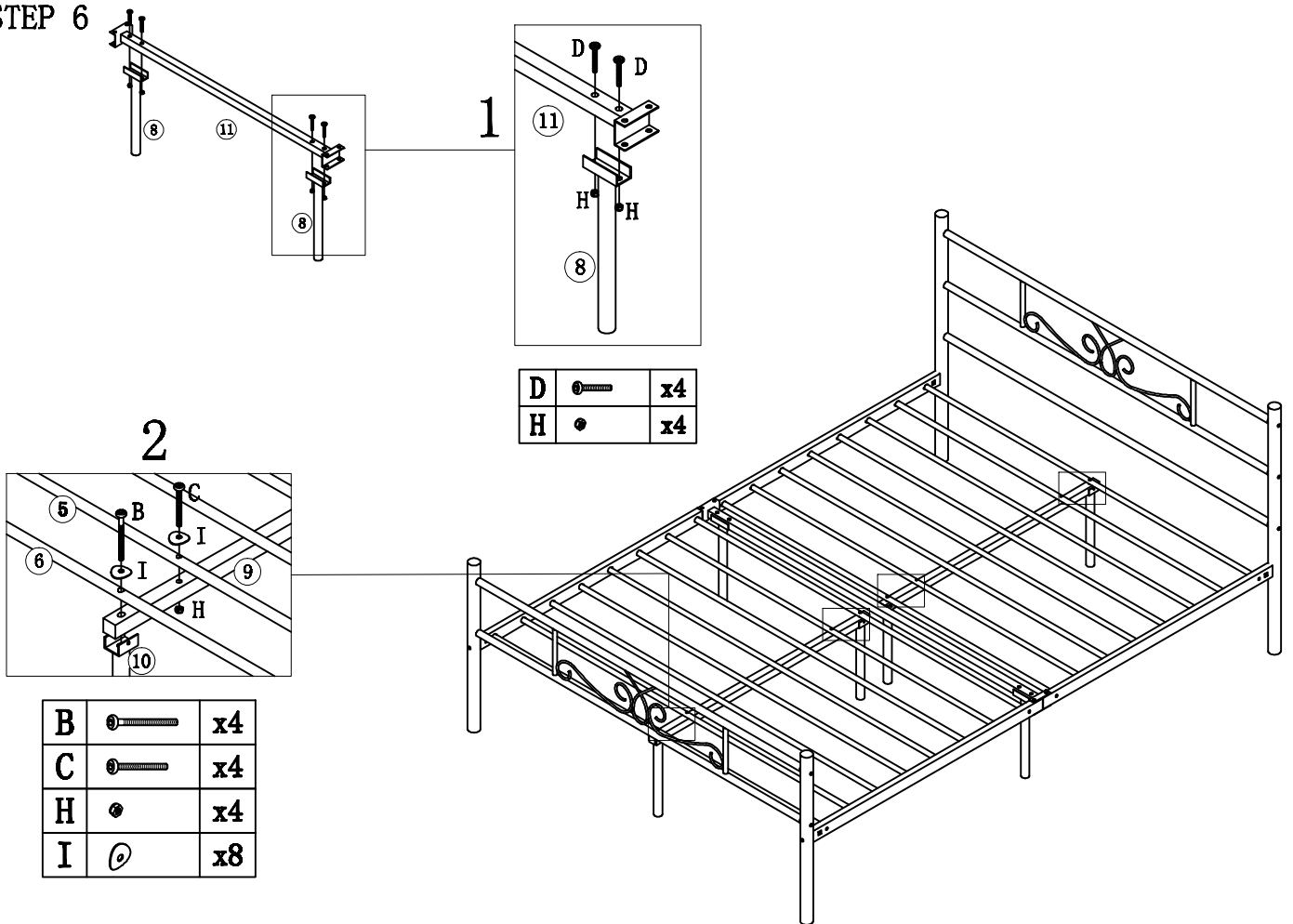
C		x4
H		x4

STEP 5

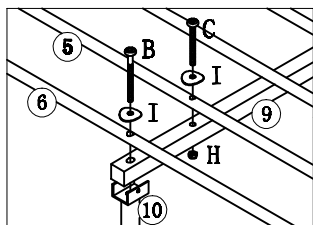


A		x4
G		x4

STEP 6

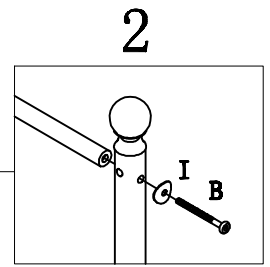
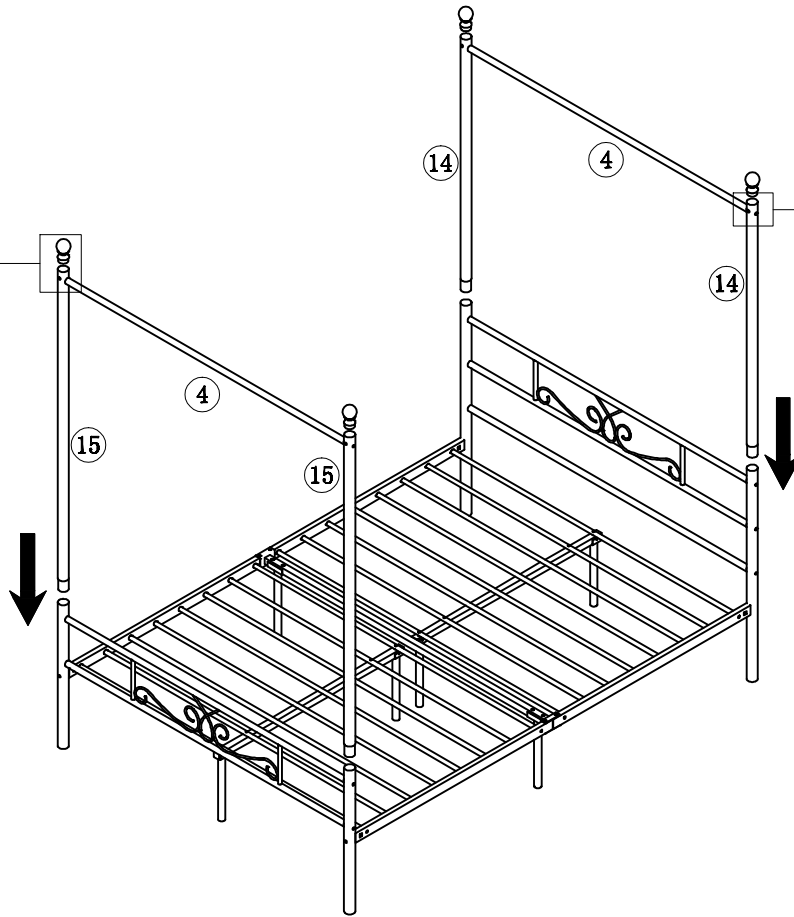
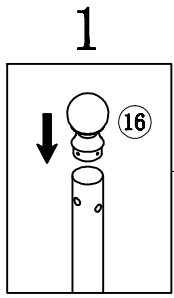


D		x4
H		x4



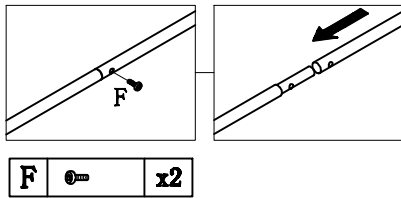
B		x4
C		x4
H		x4
I		x8

STEP 7

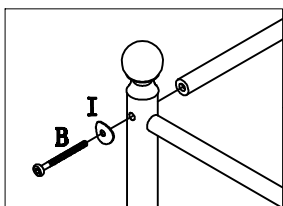


B		x4
I		x4

STEP 8



F		x2
---	--	----



B		x4
I		x4

