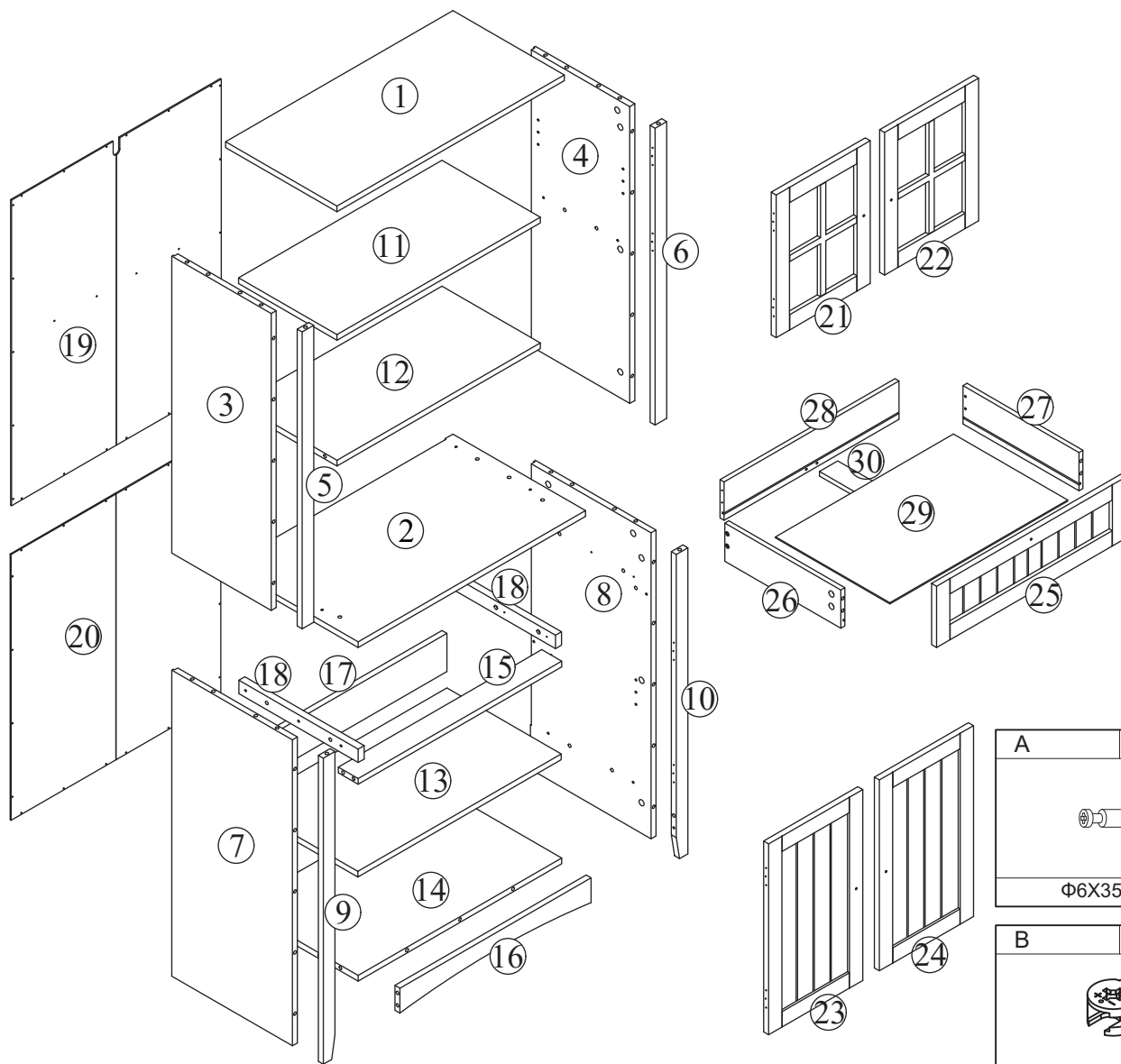
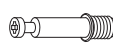




READ AND SAVE THIS INSTRUCTIONS FOR FUTURE USE


ASSEMBLY & INSTRUCTION MANUAL





A	x 42
	
Φ6X35mm	


B	x 42
	
Φ15X9mm	


C	x 42
	
Φ8x30mm	


D	x 4
	
Φ8x20mm	


E	x 4
	
M4x45mm	


F	x 6
	
M4x30mm	


G	x 60
	
M3.5X14mm	


H	x 4
	
Φ3X12mm	


I	x 4
	
Φ3x14mm	

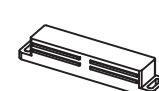
J	x 46
	
M3x12mm	


K	x 6
	
M4X25mm	

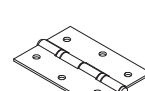
L	x 5
	
M4x16mm	

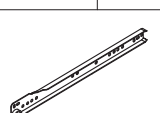
M	x 5
	

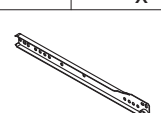
N	x 8
	

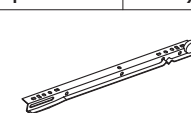
O	x 2
	

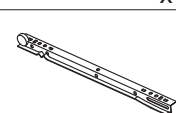
P	x 4
	

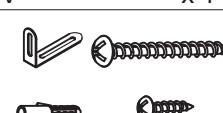
Q	x 8
	

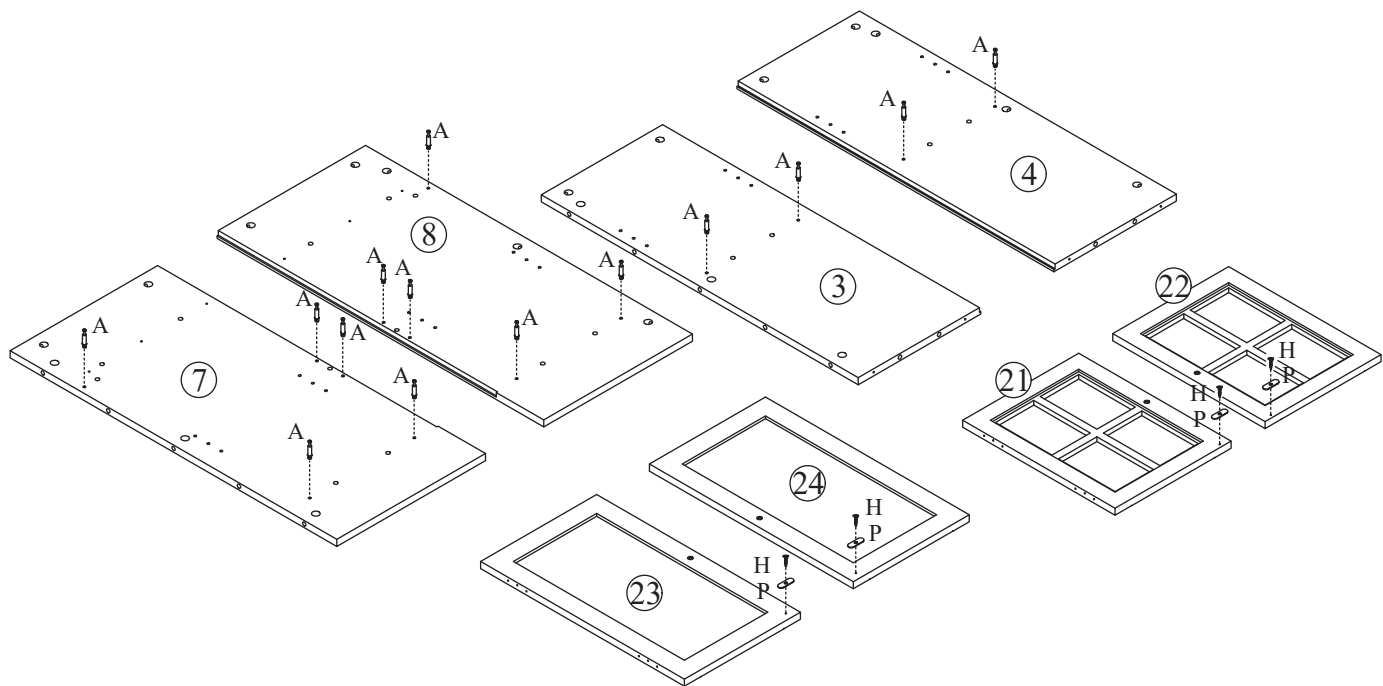
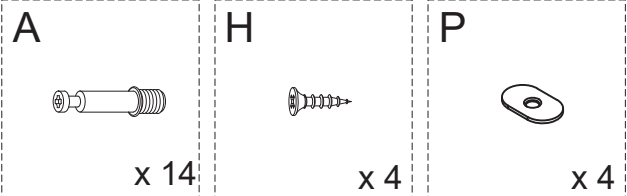
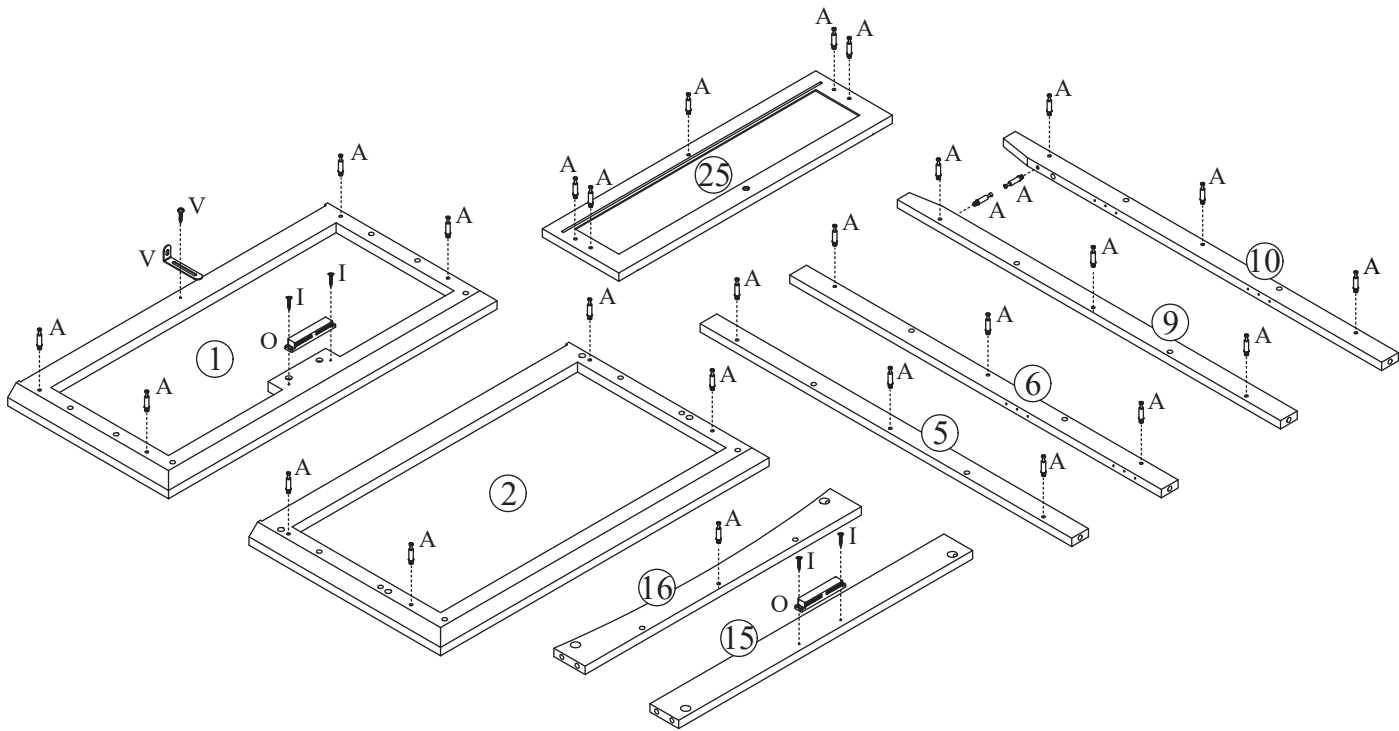
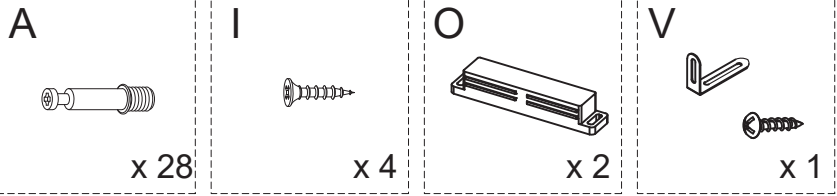
R	x 1
	


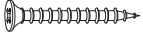


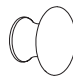
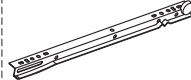
S	x 1
	

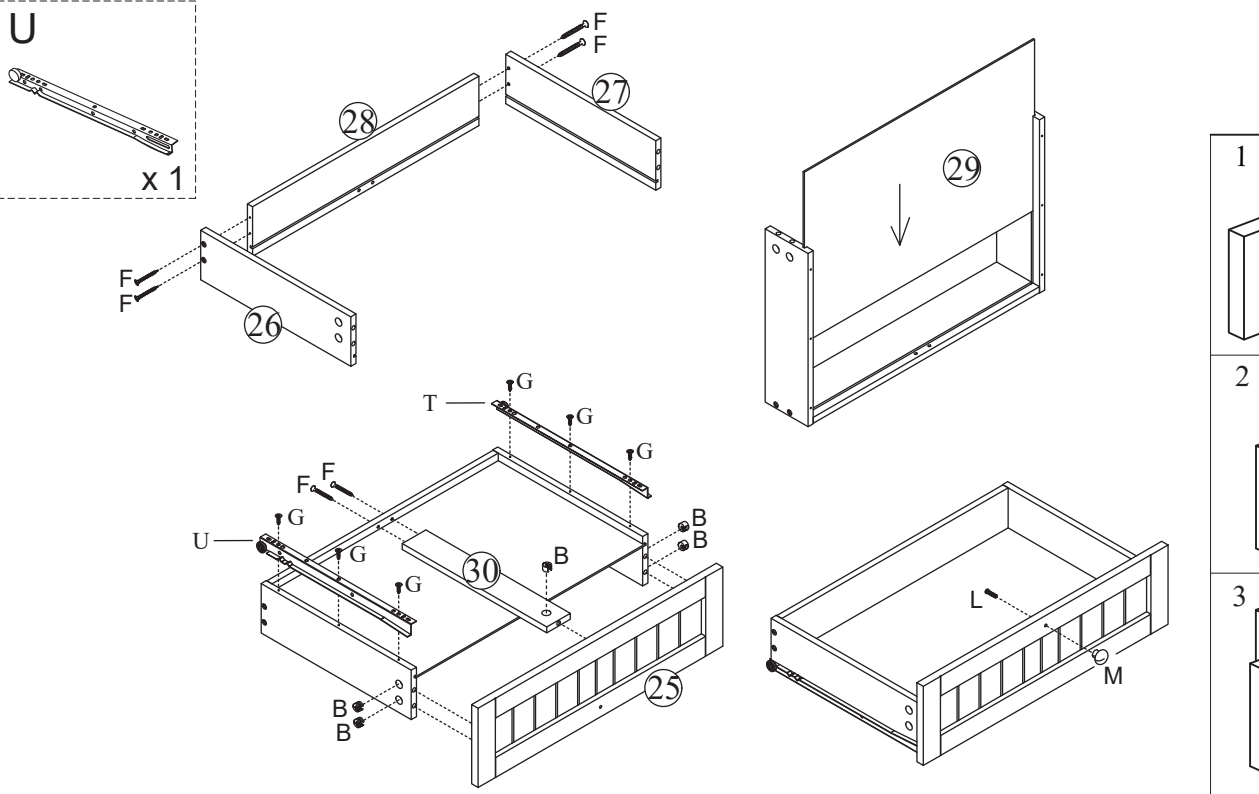
T	x 1
	



U	x 1
	

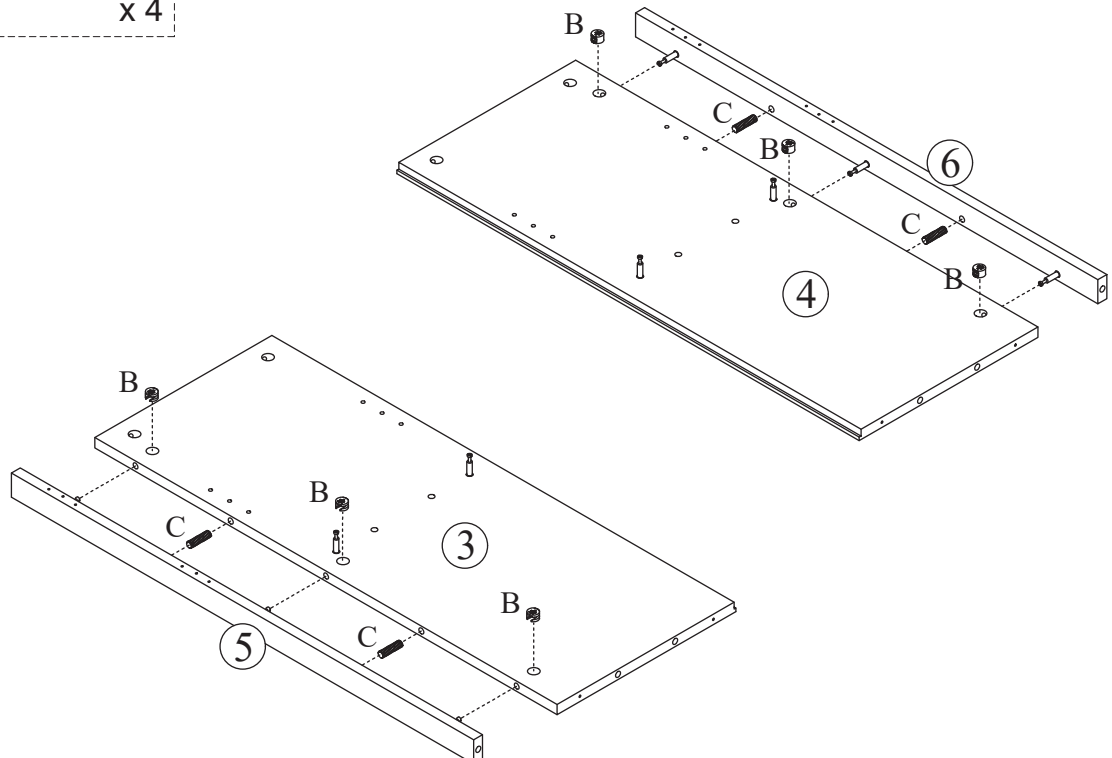
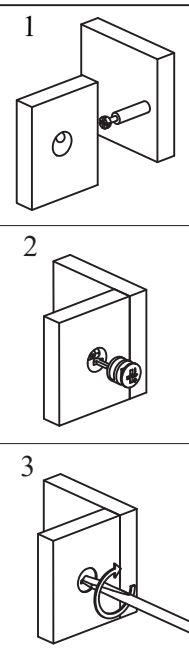
V	x 1
	

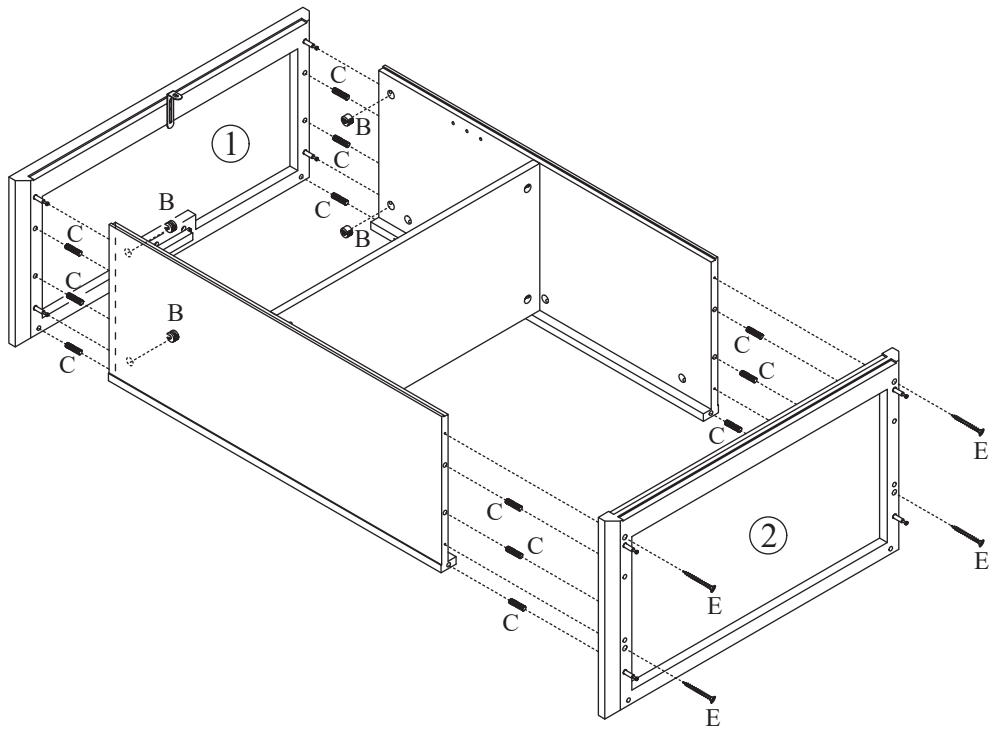
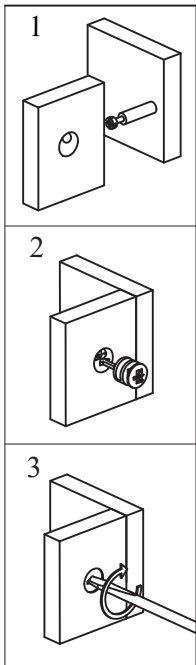
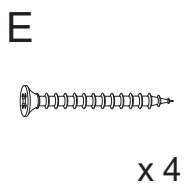
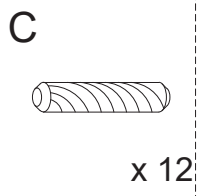
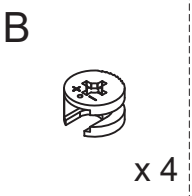
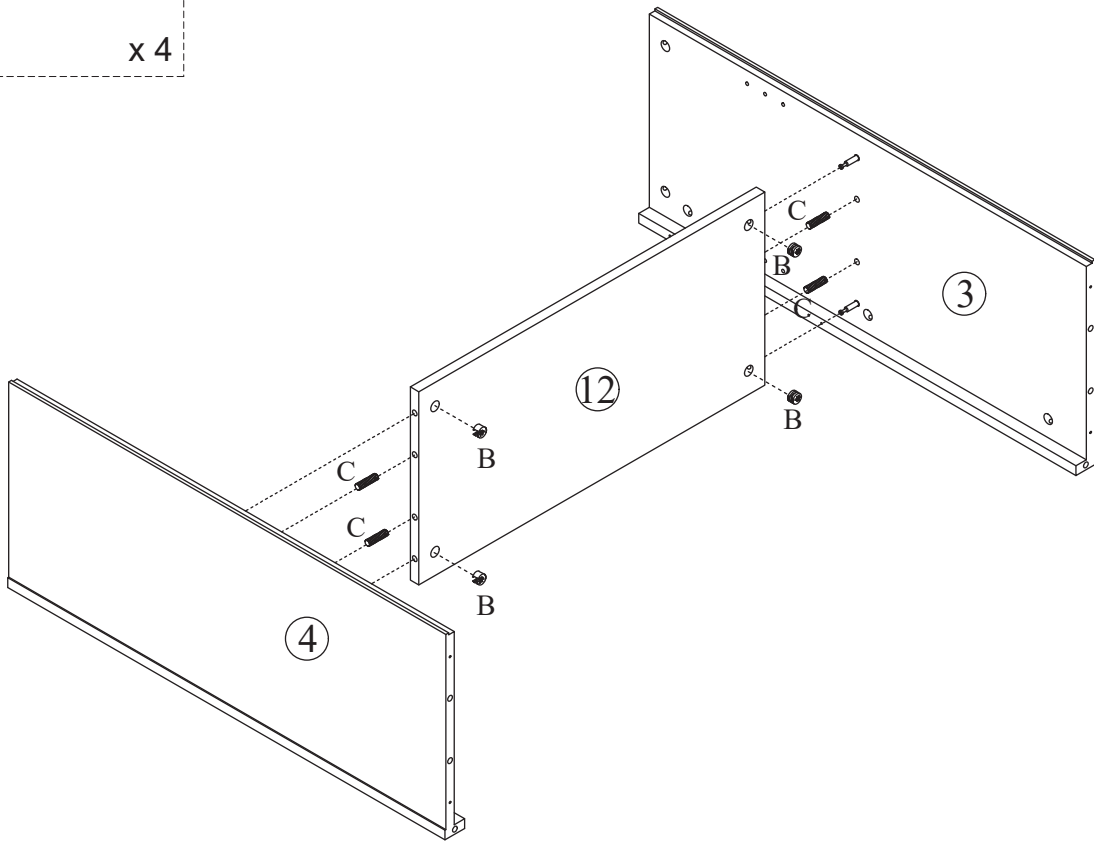
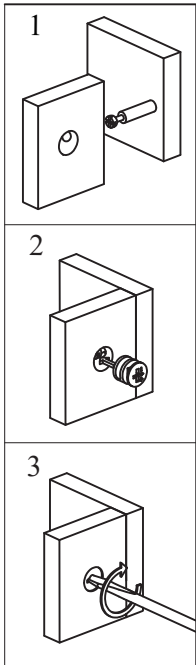
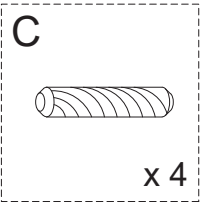
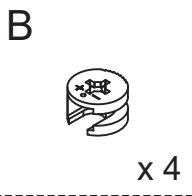


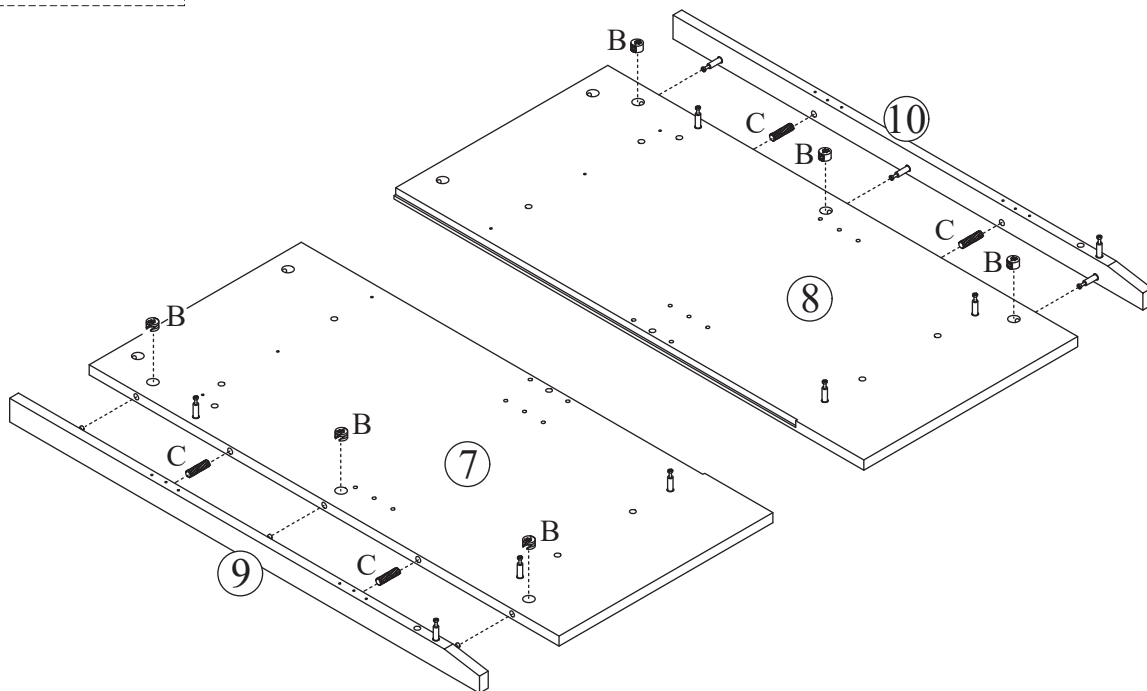
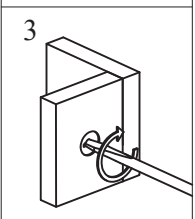
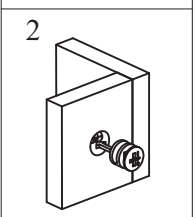
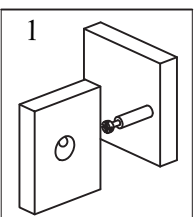
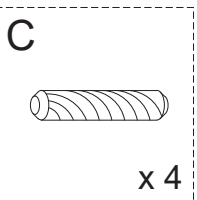
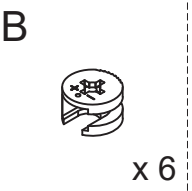
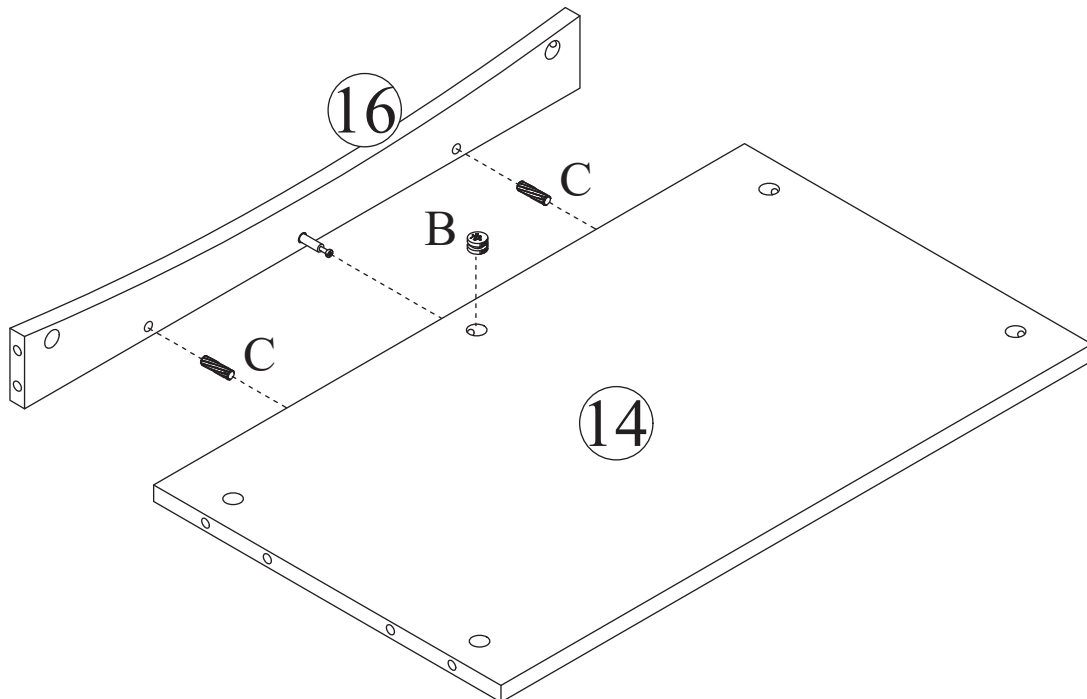
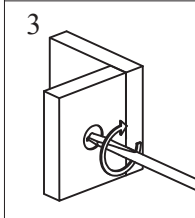
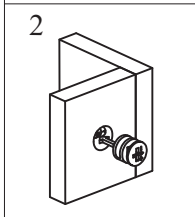
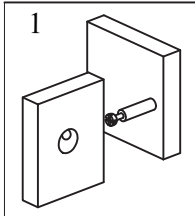
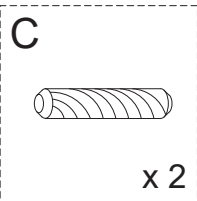
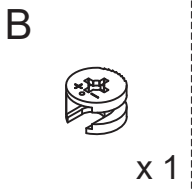
- B**

 x 5
- F**

 x 6
- G**

 x 6
- L**

 x 1
- M**

 x 1
- T**

 x 1

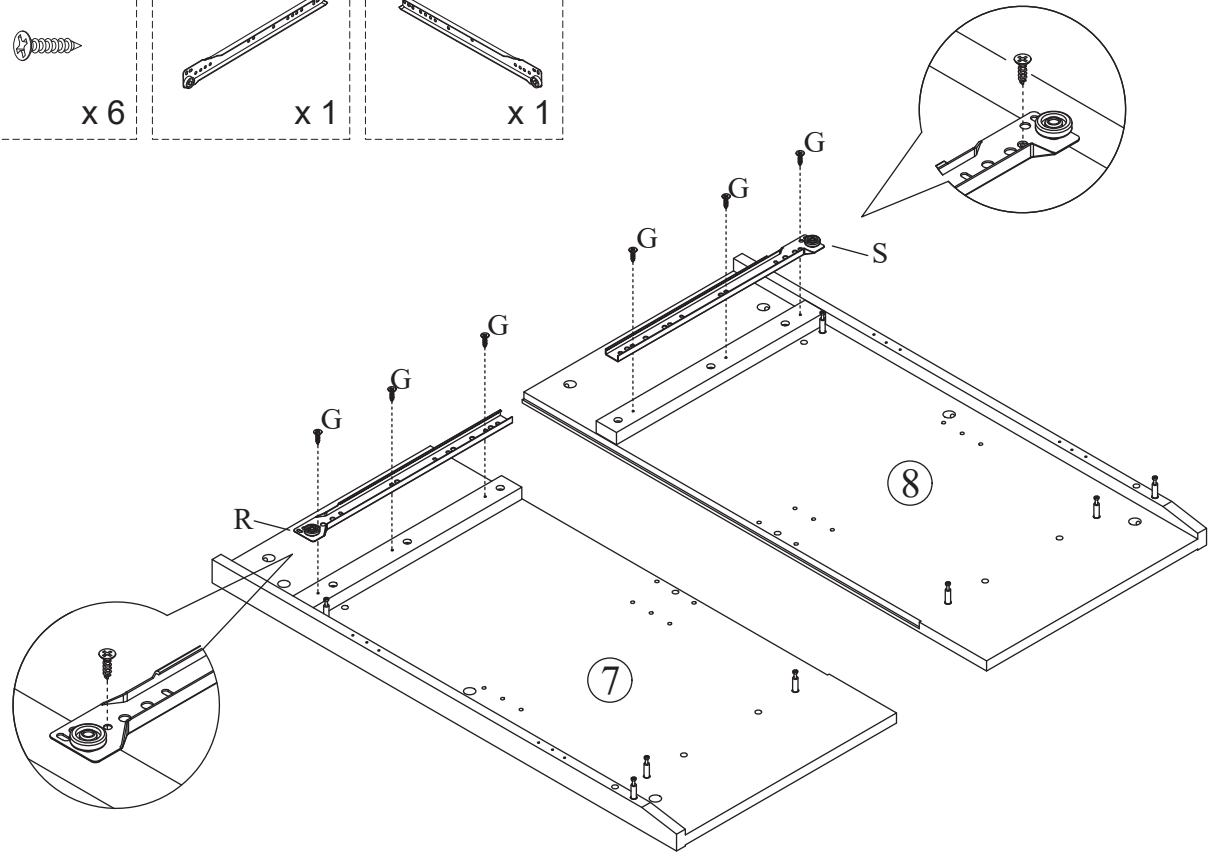
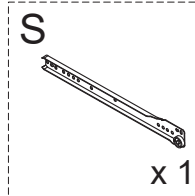
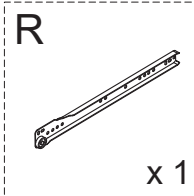
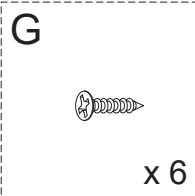
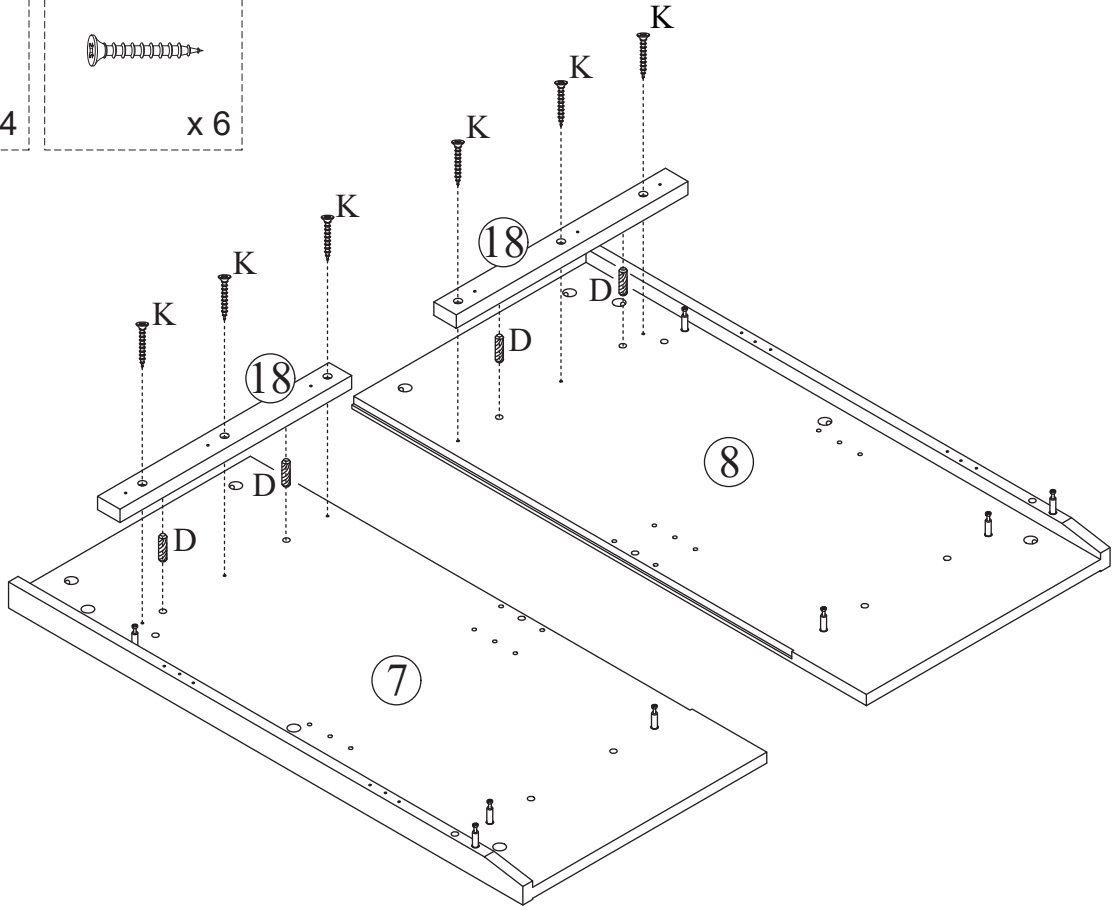
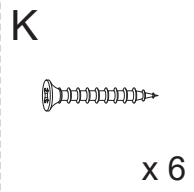
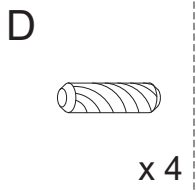


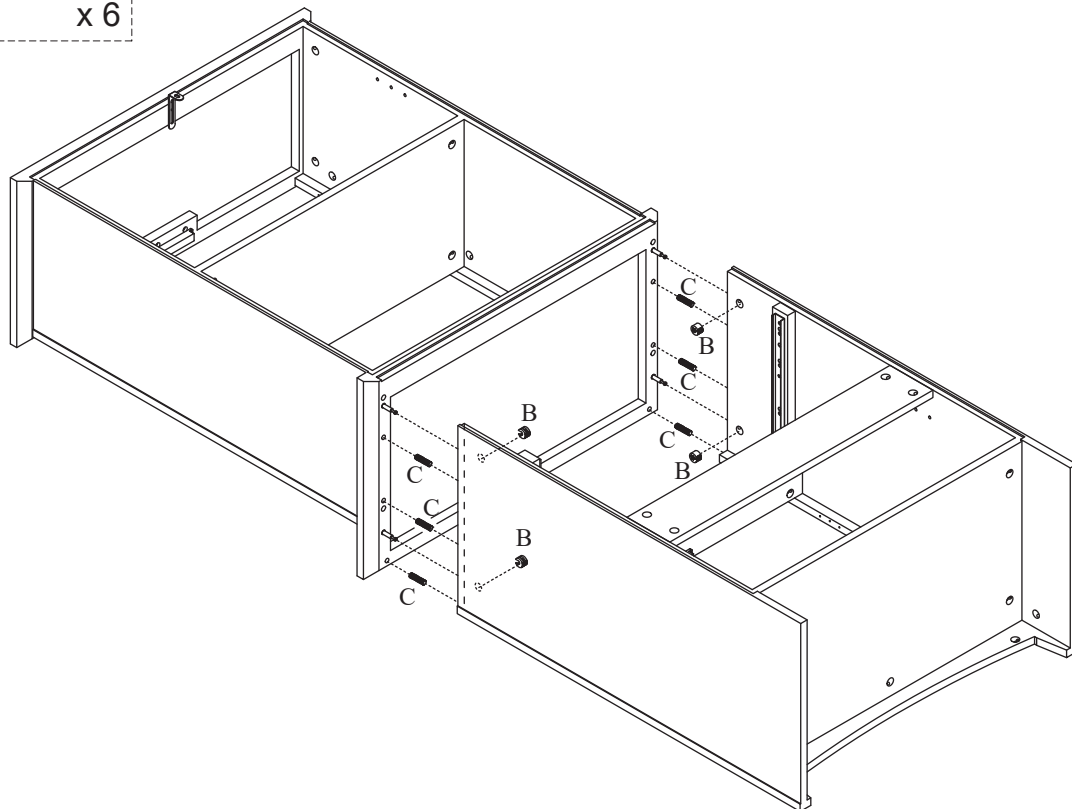
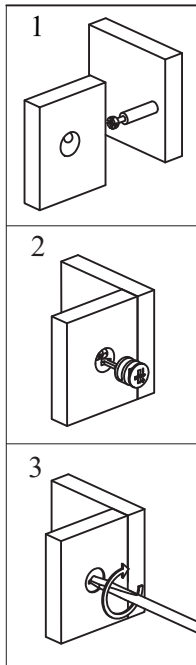
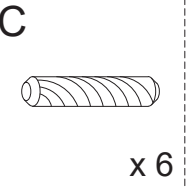
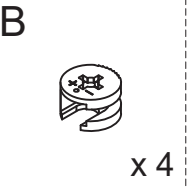
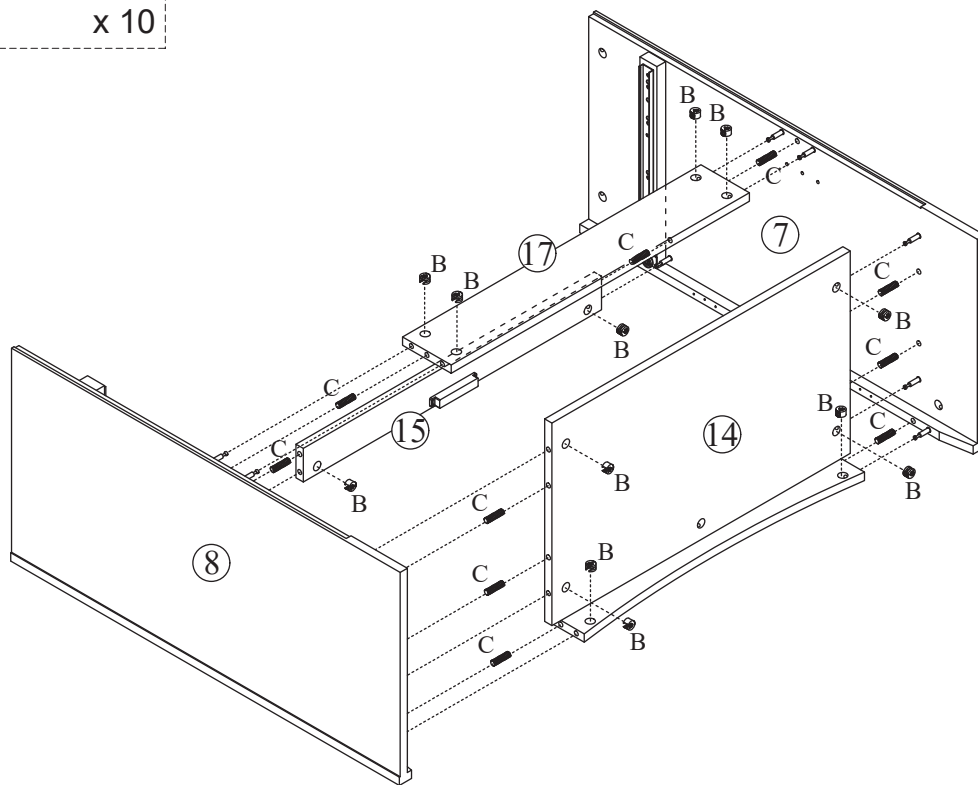
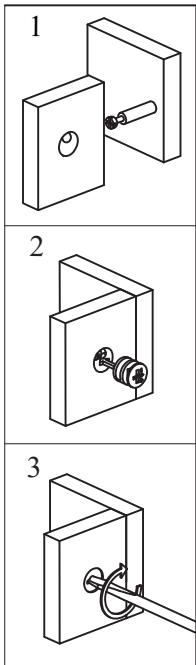
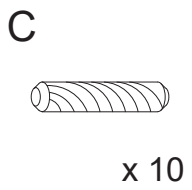
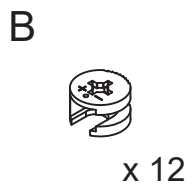
- B**

 x 6
- C**

 x 4







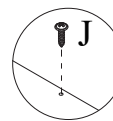
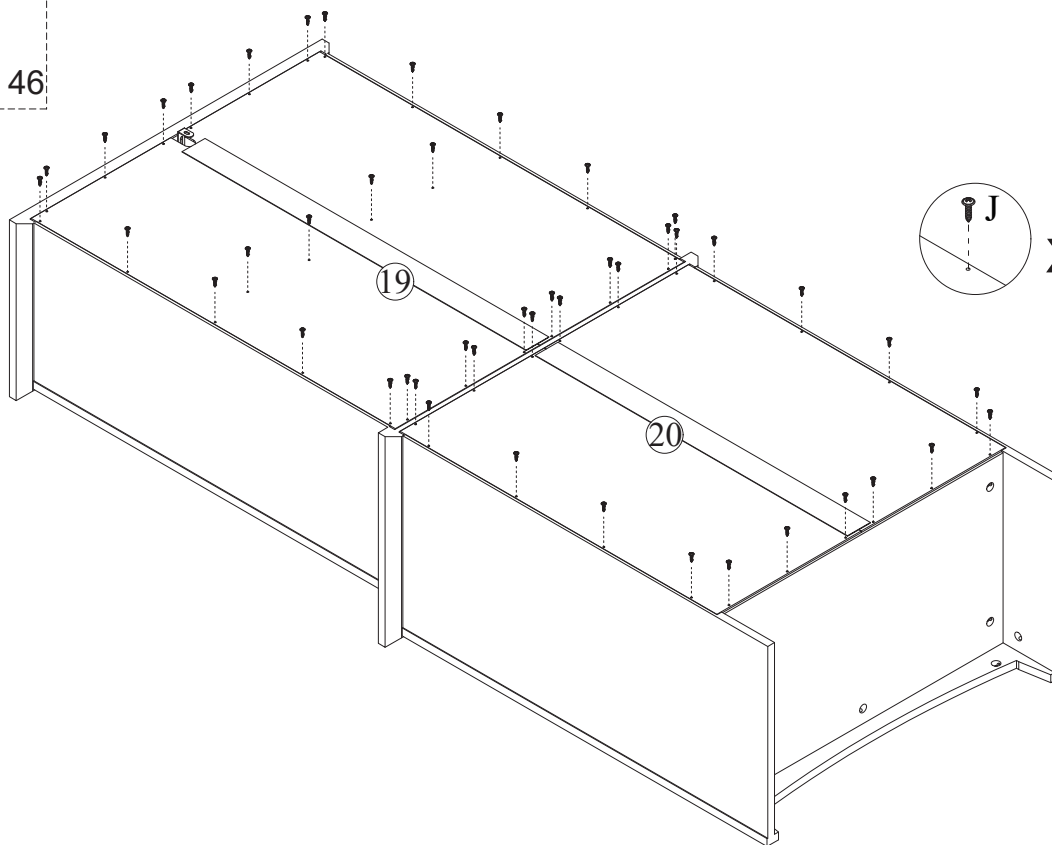




J



x 46



x 46

G



x 48

L



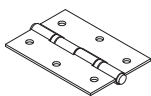
x 4

M

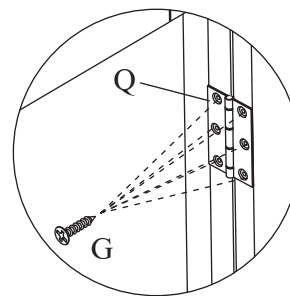
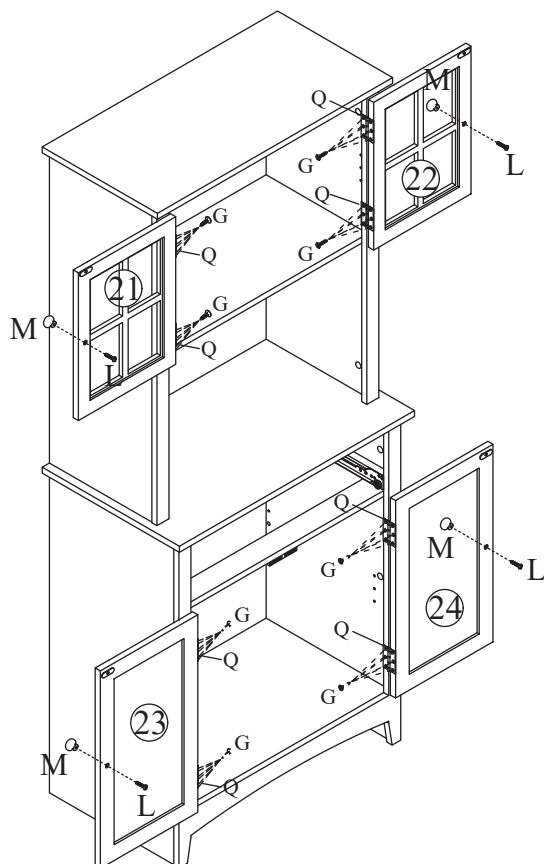


x 4

Q



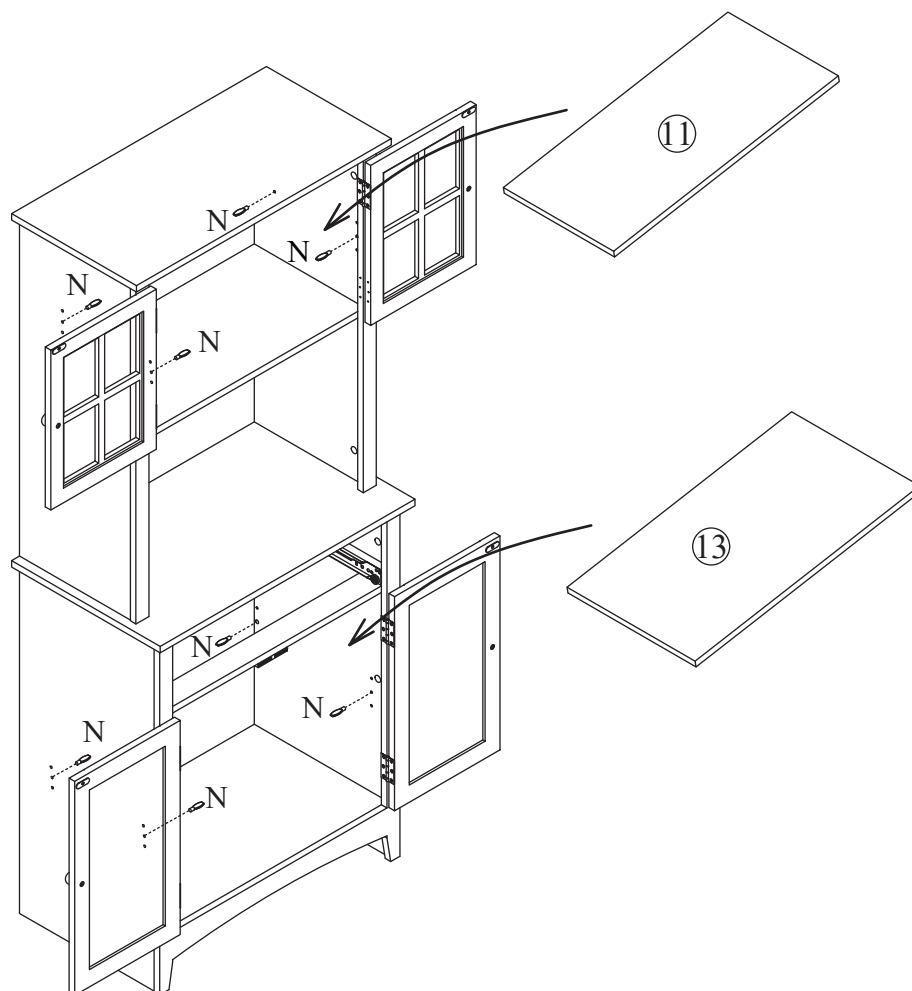
x 8



N



x 8



V



x 1

