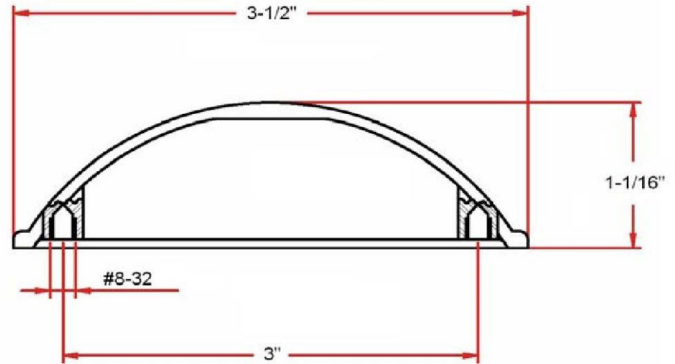


West Side Cup Pull 10-Pack  
Satin Nickel



**SPECIFICATIONS**

|                                |                  |
|--------------------------------|------------------|
| MATERIAL CONSTRUCTION:         | Zinc             |
| MOUNTING HARDWARE INCLUDED:    | Yes              |
| TOOLS NEEDED FOR INSTALLATION: | Screwdriver      |
| ASSEMBLED DIMENSIONS:          | 1.06" H x 3.5" L |
| CENTER TO CENTER:              | 3"               |
| LEVER/PULL LENGTH:             | 3.5"             |
| PROJECTION:                    | 1.06"            |
| KNOB DIAMETER:                 | N/A              |
| ASSEMBLED WEIGHT:              | 1.2 lbs.         |

WARRANTY: 1-Year limited warranty  
 LEGAL FOR SALE IN CALIFORNIA: Yes



TYPE:  
 JOB:  
 ORDER CODE:  
 APPROVALS: