

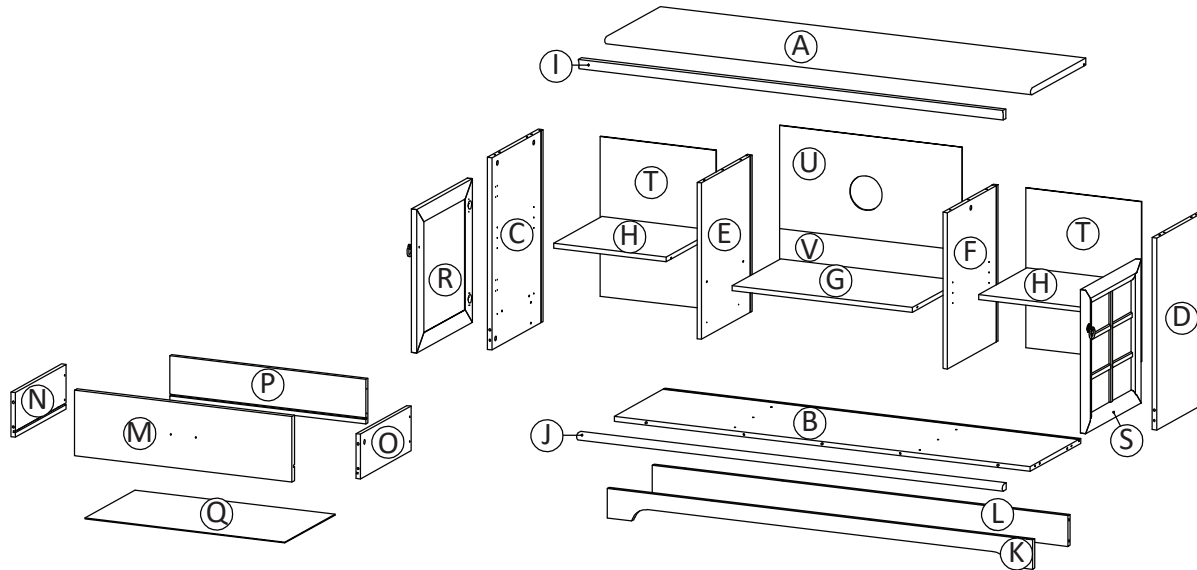
## CARE AND MAINTENANCE

Always use felt pads under all articles to prevent discoloration or softening of the lacquer. Plastic and rubber bases on items can discolor wood. Wipe up spills immediately and avoid common hazards such as hot dishes, harsh solvents and abrasives. Cleaning should be done with a soft lint free cotton cloth dampened with water or furniture polish. On highly used surfaces we recommend applying a quality paste wax which should be used on a regular basis to provide additional protection from scratches and spills. How often you apply the wax depends on how much wear the furniture receives.

## NOTICE

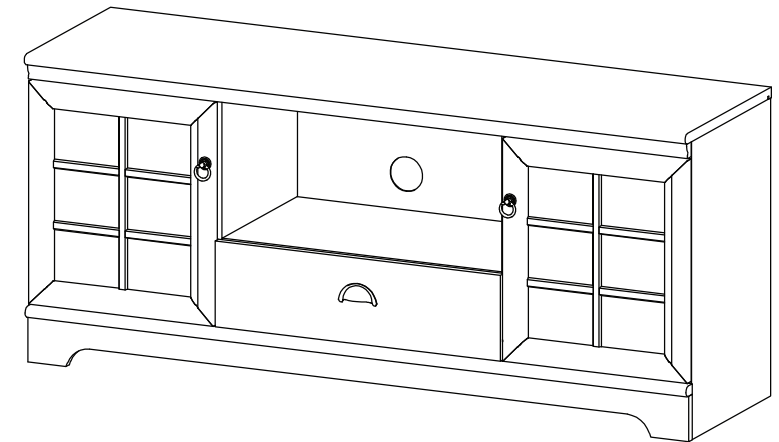
- \* Please make sure that you have all parts indicated before you begin assembly of this item
- \* This item should be assembled on a soft surface to prevent scratching the finish during assembly
- \* This item may require periodic tightening

## Part List and Hardware List



HW1x22 ∅ 6 x 35 mm	HW2x20 ∅ 15 mm	HW3x2 ∅ 15 mm	HW4x34 ∅ 8 x 30 mm	HW5x2 ∅ 6 x 30 mm	HW6x4 M 7 x 50 mm
HW7x1 L 4	HW8x4	HW9x2 M 4 x 17 mm	HW10x20 M 3.5 x 15.5 mm	HW11x20 9 x 14 x 10 mm	HW12x4 M 3.5 x 20 mm
HW13x1 300 mm	HW14x4 M 6 x 10.5 mm	HW15x6 M 3.5 x 13 mm	HW16x4 M 8 x 39 mm	HW17x2	HW18x1
HW19x4 M 4 x 20 mm	HW20x8 ∅ 5 x 15 mm	HW21x4	HW22x24 M 4.5 x 12.5 mm	HW23x2	HW24x2 ∅ 8 mm
HW25x6 ∅ 15 mm	HW26x8				

Product Dimensions: 54.8"W x 15.4"D x 24"H



**WARNING :**  
WEIGHT CAPACITY: 57 LBS.  
DO NOT STAND ON TV STAND

# Part List & HW for Multi-Box Items

Piece	Description	Qty	Carton Call
A	Top Board	1	1 of 2
B	Bottom Board	1	1 of 2
C	Side Board Left	1	2 of 2
D	Side Board Right	1	2 of 2
E	Centre Board Left	1	2 of 2
F	Centre Board Right	1	2 of 2
G	Fixed Shelf	1	2 of 2
H	Adjustable Shelf	2	1 of 2
I	Front Skirt	1	1 of 2
J	Bottom Skirt 1	1	1 of 2
K	Bottom Skirt 2	1	1 of 2
L	Bottom Skirt 3	1	1 of 2
M	Front Drawer	1	1 of 2
N	Side Drawer Left	1	1 of 2
O	Side Drawer Right	1	1 of 2
P	Back Drawer	1	1 of 2
Q	Bottom Drawer	1	1 of 2
R	Frame Door Left	1	2 of 2
S	Frame Door Right	1	2 of 2
T	Back Board 1	2	1 of 2
U	Back Board 2	1	1 of 2
V	Back Board 3	1	1 of 2

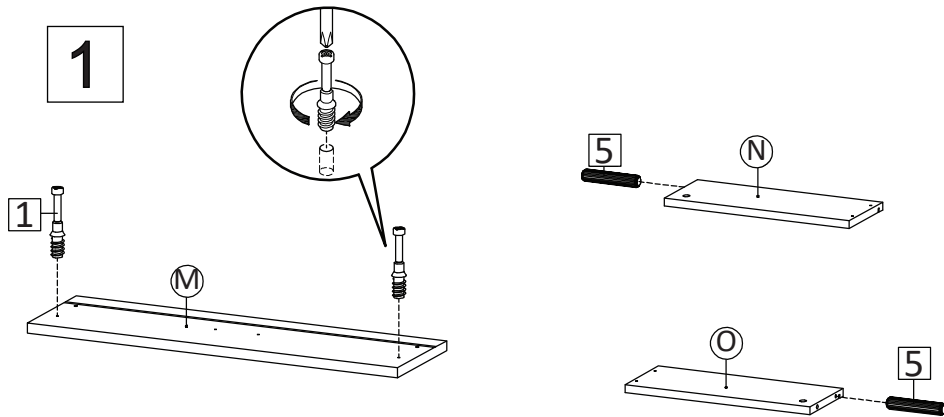
Piece	Description	Qty	Carton Call
HW1	Cambolt	22	2 of 2
HW2	CamLock Big	20	2 of 2
HW3	CamLock Small	2	2 of 2
HW4	Dowel Big	34	2 of 2
HW5	Dowel Small	2	2 of 2
HW6	Screw M 7 x 50 mm	4	2 of 2
HW7	Allen Key	1	2 of 2
HW8	Mini Block	4	2 of 2
HW9	Screw M 4 x 17 mm	2	2 of 2
HW10	Screw M 3.5 x 15.5 mm	20	2 of 2
HW11	Wedge	20	2 of 2
HW12	Screw M 3.5 x 20 mm	4	2 of 2
HW13	Roll 300 mm	1	2 of 2
HW14	Screw M 6 x 10.5 mm	4	2 of 2
HW15	Screw M 3.5 x 13 mm	6	2 of 2
HW16	Screw M 8 x 39 mm	4	2 of 2
HW17	Handle Classic	2	2 of 2
HW18	Handle	1	2 of 2
HW19	Screw M 4 x 20 mm	4	2 of 2
HW20	Shelf Pin	8	2 of 2
HW21	Hinge	4	2 of 2
HW22	Screw M 4.5 x 12.5 mm	24	2 of 2
HW23	Back Panel Holder	2	2 of 2
HW24	Bumper	3	2 of 2
HW25	Screw Cup	3	2 of 2
HW26	Foam Pad	8	2 of 2

## PREPARATION

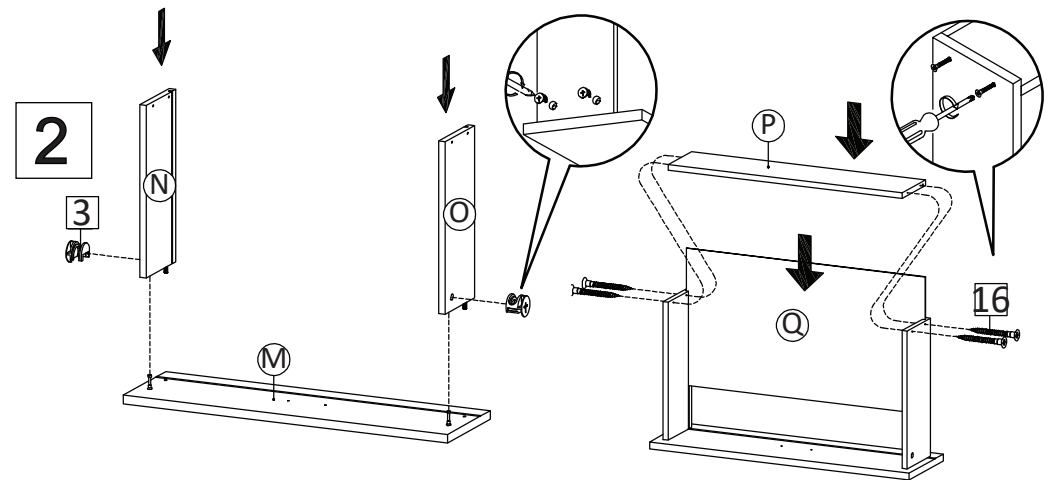
Before beginning assembly of product, make sure all parts are present. Compare parts with package contents list and hardware contents list.

If any part is missing or damaged, do not attempt to assemble the product.

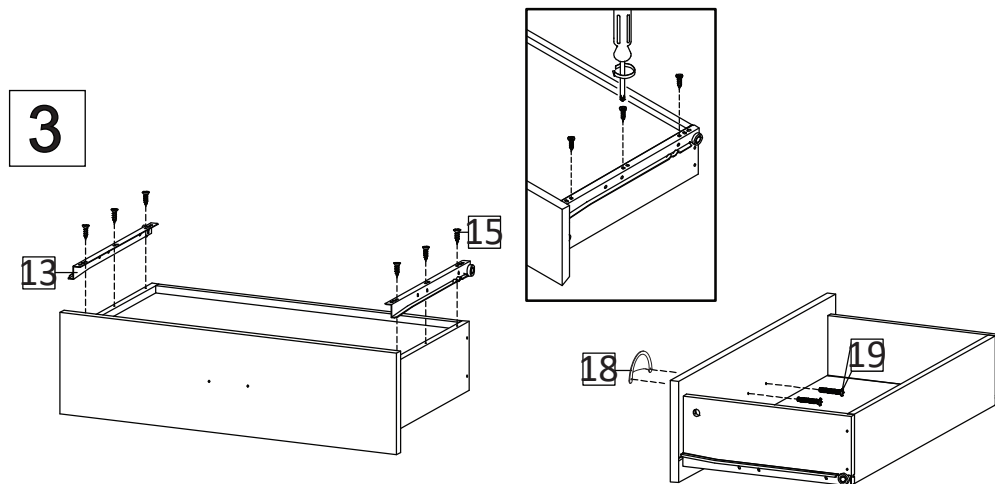
Estimated Assembly Time: 60 minutes.



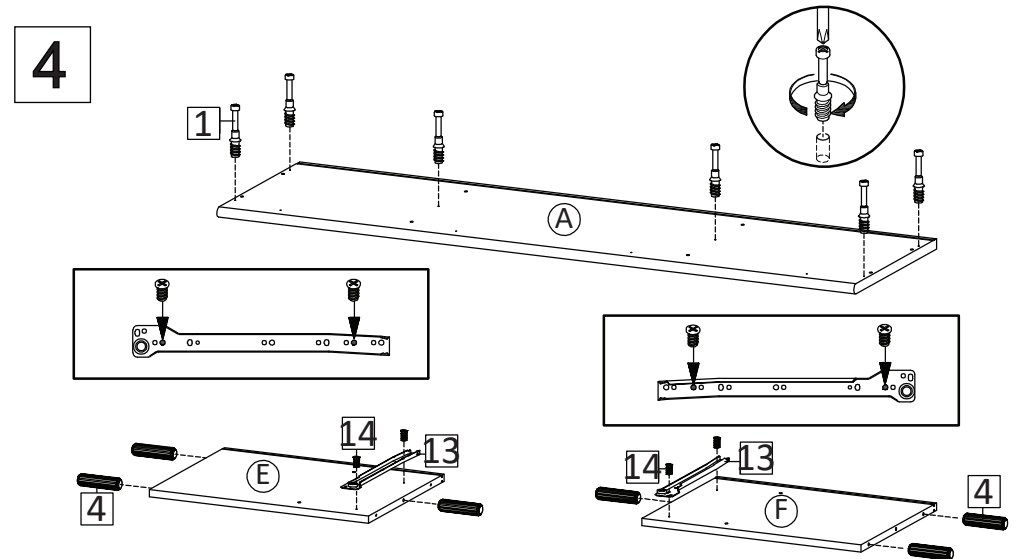
Insert Cambolt (HW1) into Front Drawer (M)  
Insert Dowel Small (HW5) into Side Drawers ( N & O )



Combine Side Drawers ( N & O ) into Camlock (HW3) using Insert Cambolt (HW1) into Camlock (HW2), tighten Camlock (HW2) using screwdriver.  
Insert Bottom Drawer ( Q ) , then put Back Drawer ( P ) and secure with Screw (HW16)

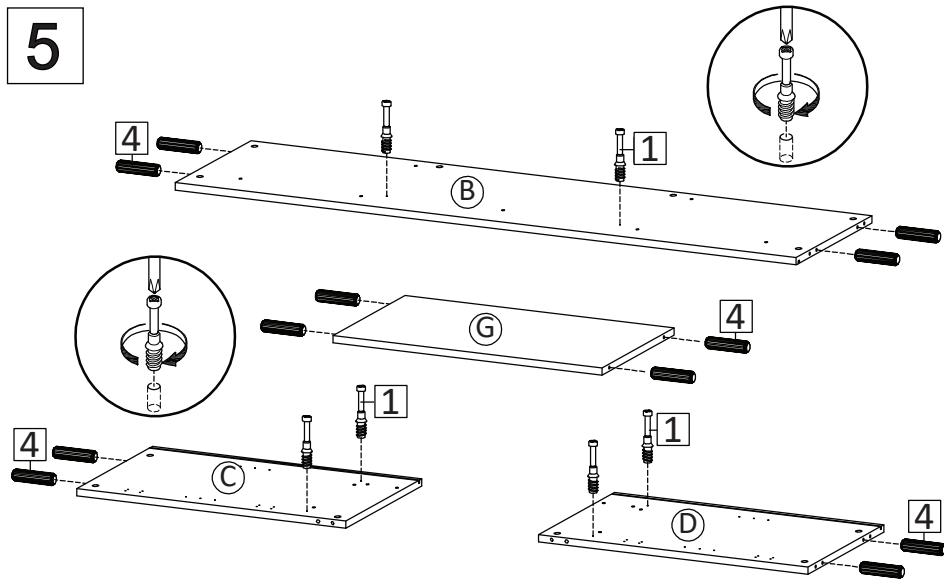


Bring the Drawer from Step 2 upside down, install the metal runner (HW13) into position as shown in picture, secure with screws (HW15)  
Use Screw M 4x20 mm (HW19) to attach Handle (HW18) to the Front Drawer as above image.



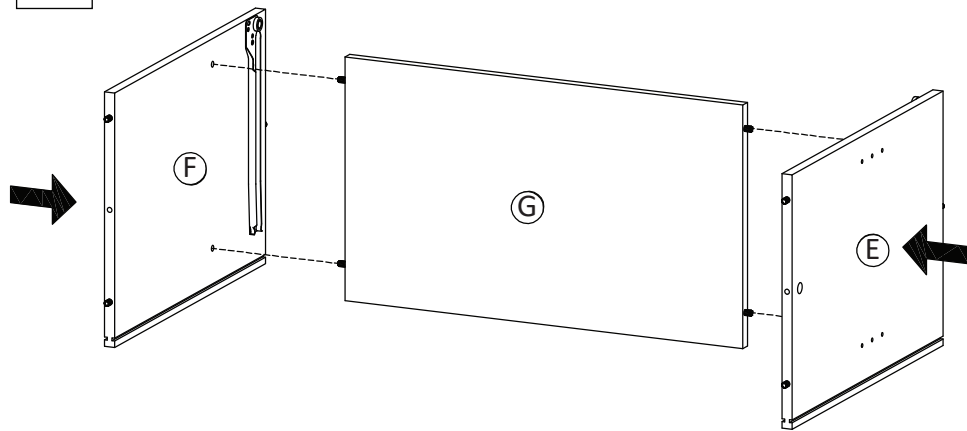
Insert Cambolt (HW1) into Top Board (A)  
Insert Dowel Big (HW4) into Center Board Left ( E ) and Center Board Right (F).  
Continue with securing part of the metal runner (HW13) into position as the above image, using screw M6x10,5mm (HW14)

5



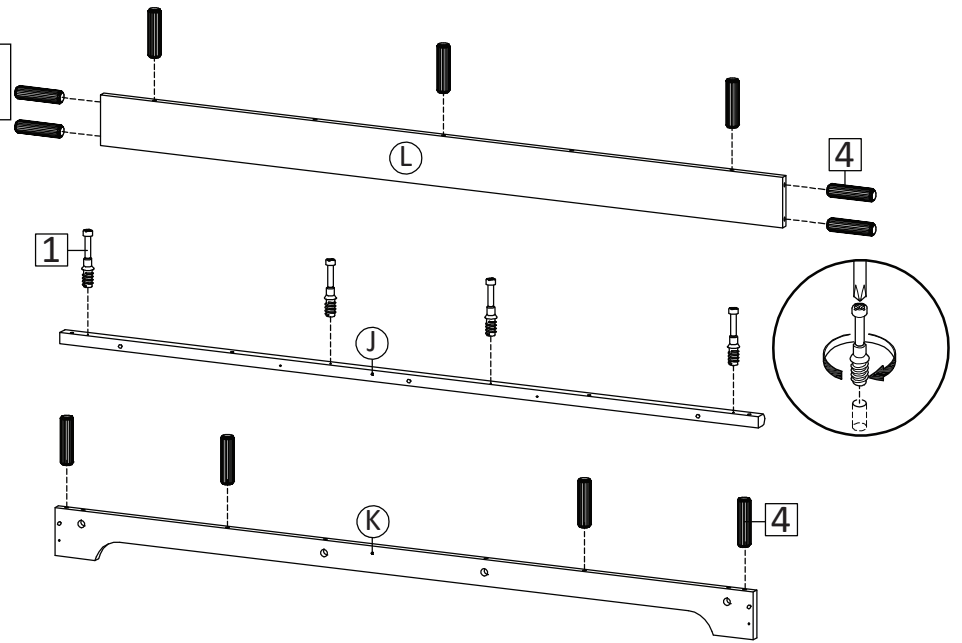
Insert Dowel Big (HW4) and Cambolt (HW1) into Bottom Board (B), Fixed Shelf (G), Side Board Left (C) and Side Board Right (D).  
Insert Cambolt (HW1) into into Bottom Board (B), Side Board Left (C) and Side Board Right (D).

7



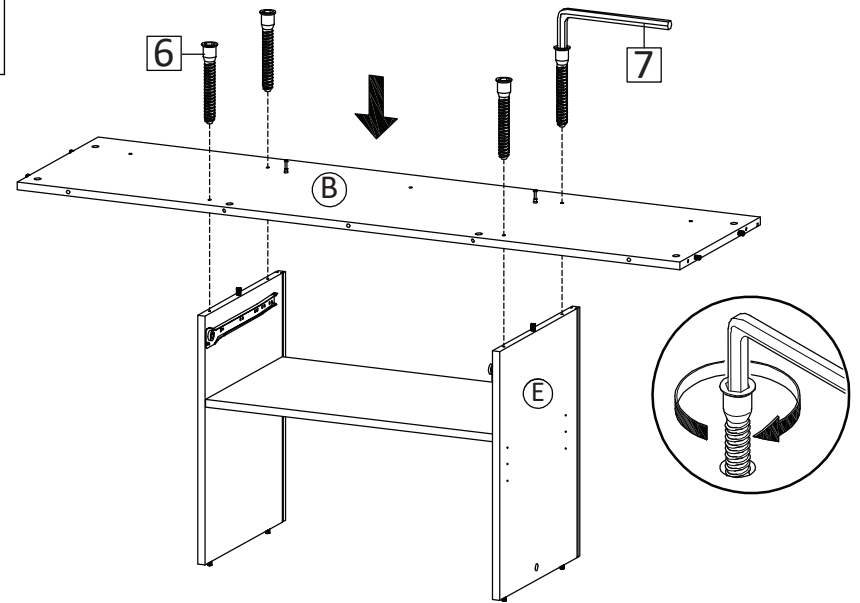
Combine Fixed Shelf (G) , Center Board Left ( E ) and Center Board Right (F)

6

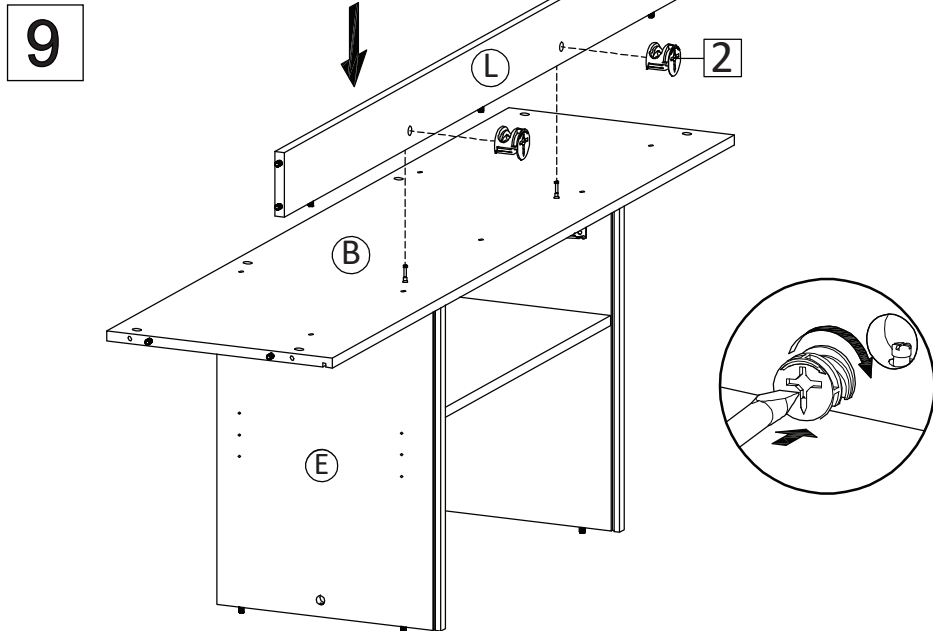


Insert Dowel Big (HW4) into Bottom Skirt 2 (K) and Bottom Skirt 3 (L).  
Insert Cambolt (HW1) into into Bottom Skirt 1 (J)

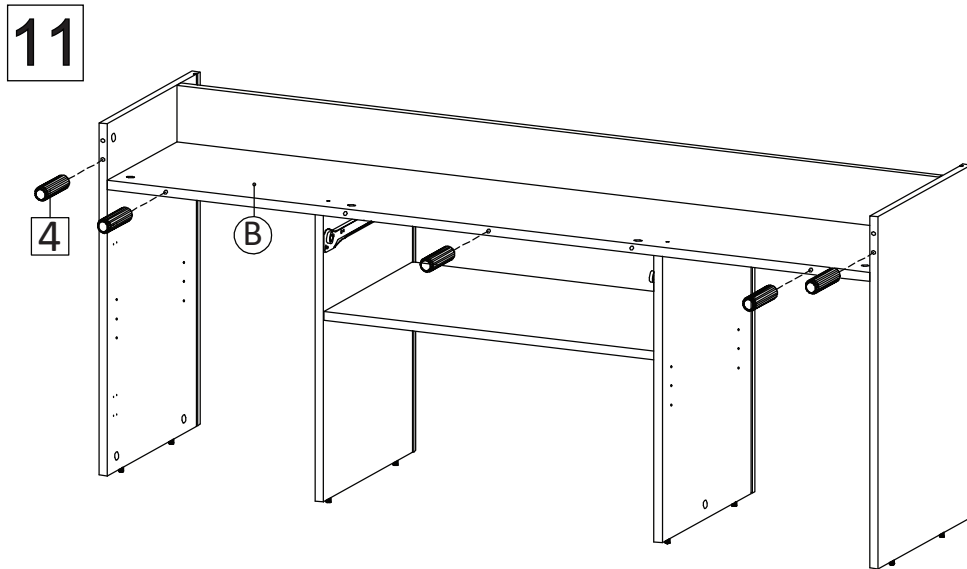
8



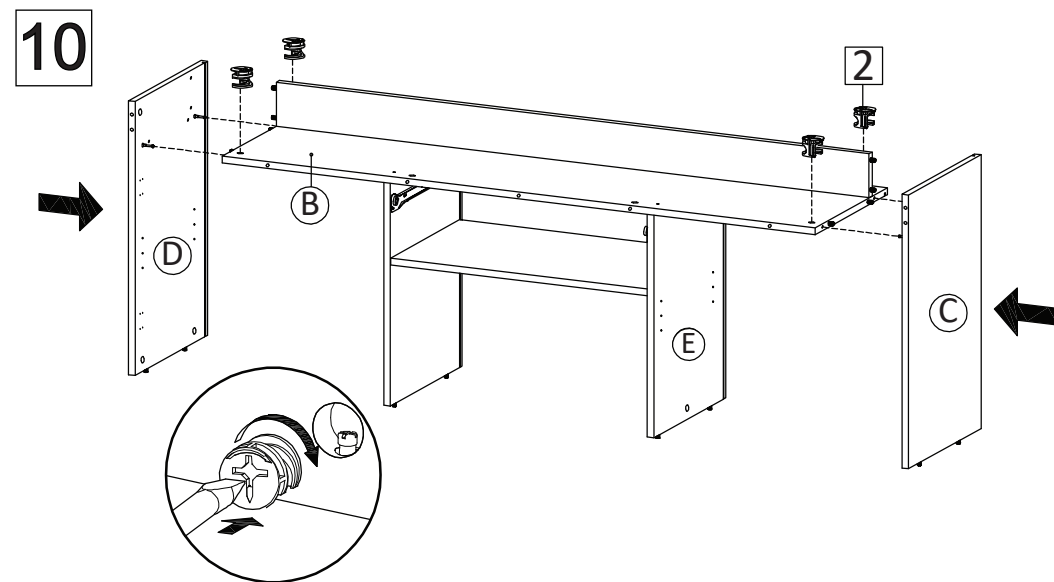
Combine step 7 and Bottom Board (B) by using Screw M7x50 (HW6) and Allen Key (HW7).



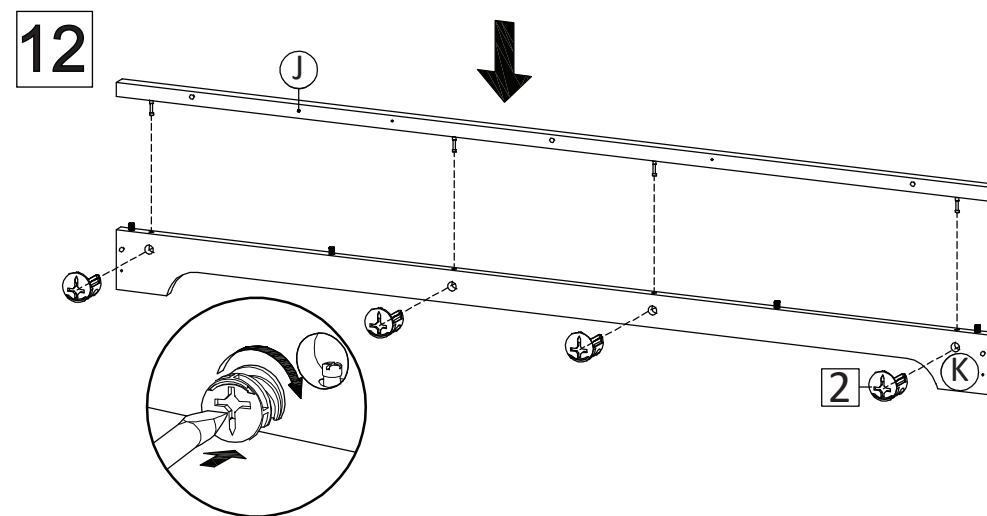
Attach Bottom Skirt 2 (L) into Step 8 ,  
insert Camlock Big (HW2) then tighten Camlock (HW2) using screwdriver



Insert Dowel Big (HW4) into provided holes as show in the figure

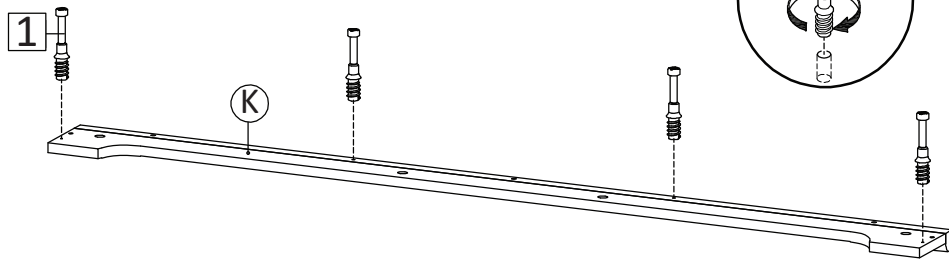


Combine Step 9 with Side Board Left ( C ) and Side Board Right ( D).  
Insert Camlock Big (HW2) then tighten Camlock (HW2) using screwdriver



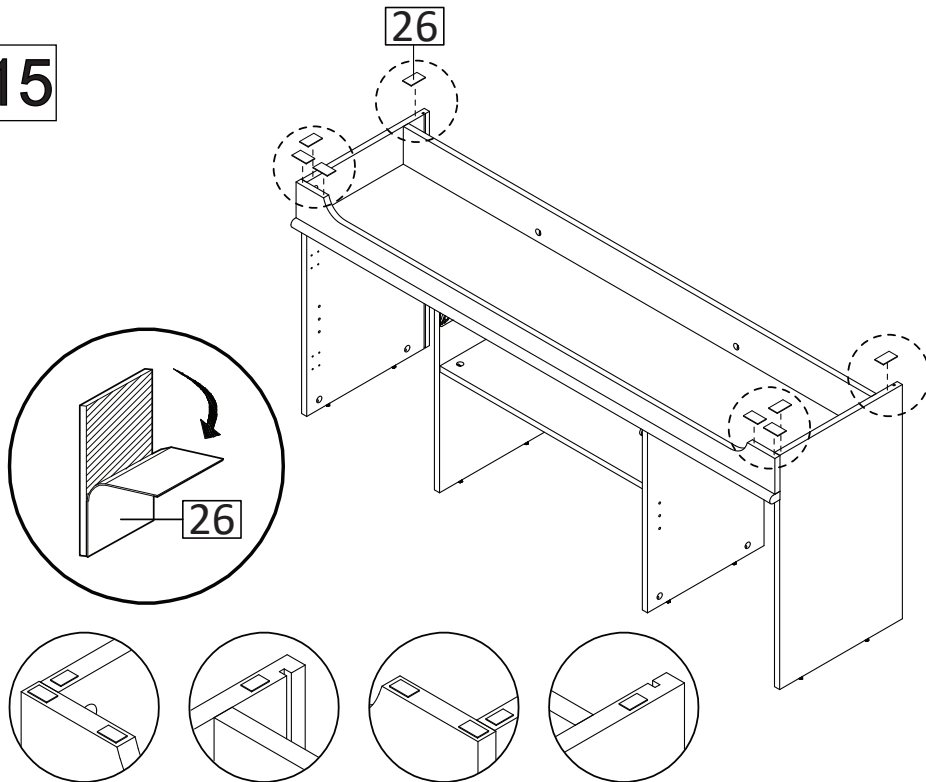
Put Bottom Skirt 1 (J) and Bottom Skirt 2 (K) together,  
by using Camlock Big (HW2) then tighten Camlock (HW2) using screwdriver

13



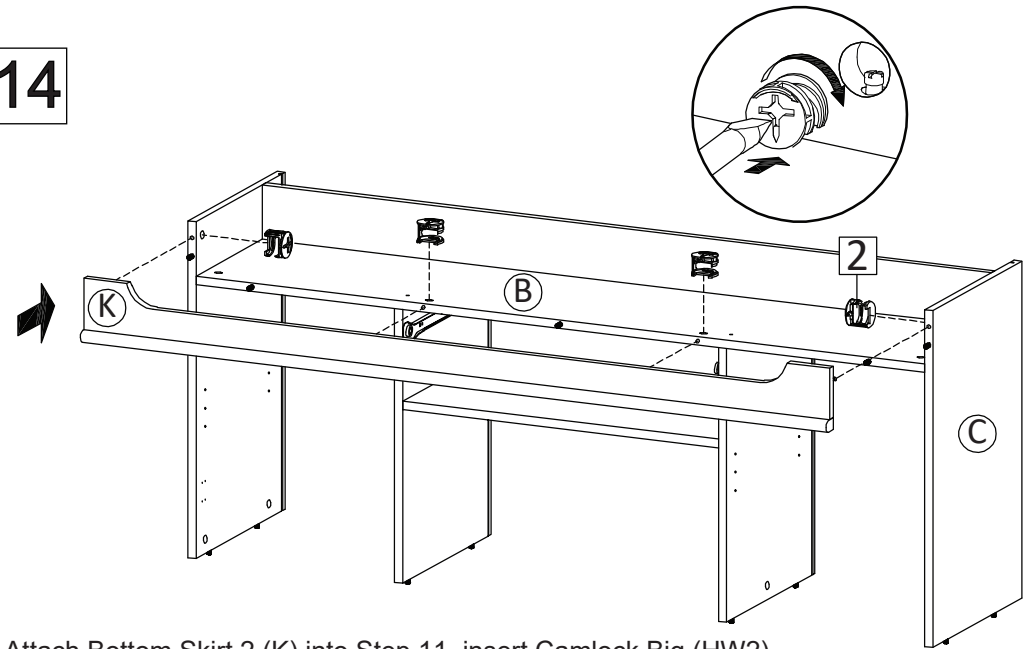
Insert Cambolt (HW2) into Bottom Skirt 2 (K) from Step 12

15



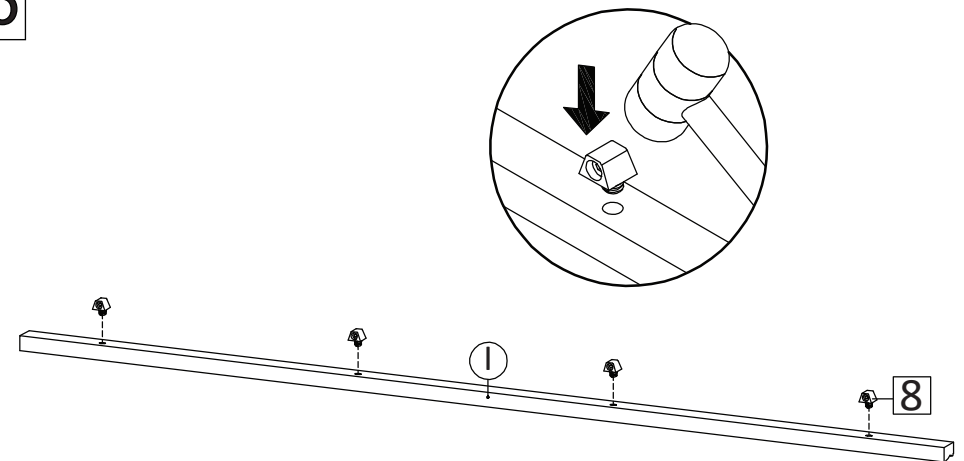
Peel off the back paper from Foam Pad (HW26), then attach to the surface of the bottom skirts which will in contact with floor. See figures for your easier reference.

14



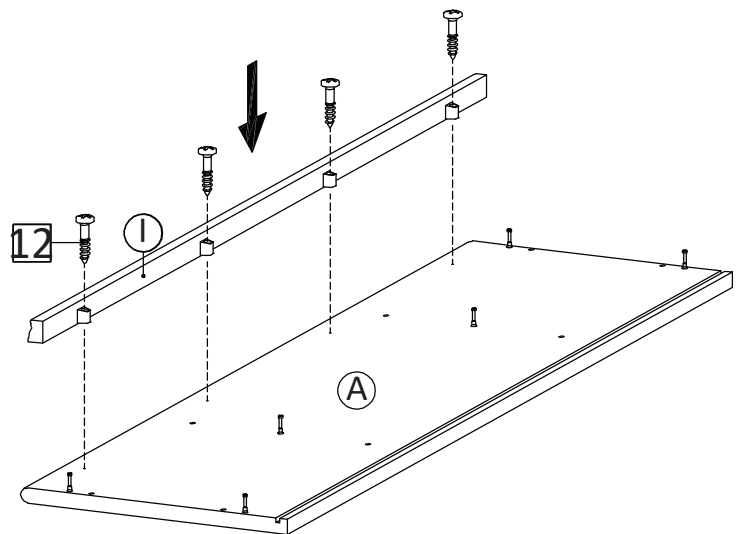
Attach Bottom Skirt 2 (K) into Step 11, insert Camlock Big (HW2) then tighten Camlock (HW2) using screwdriver

16



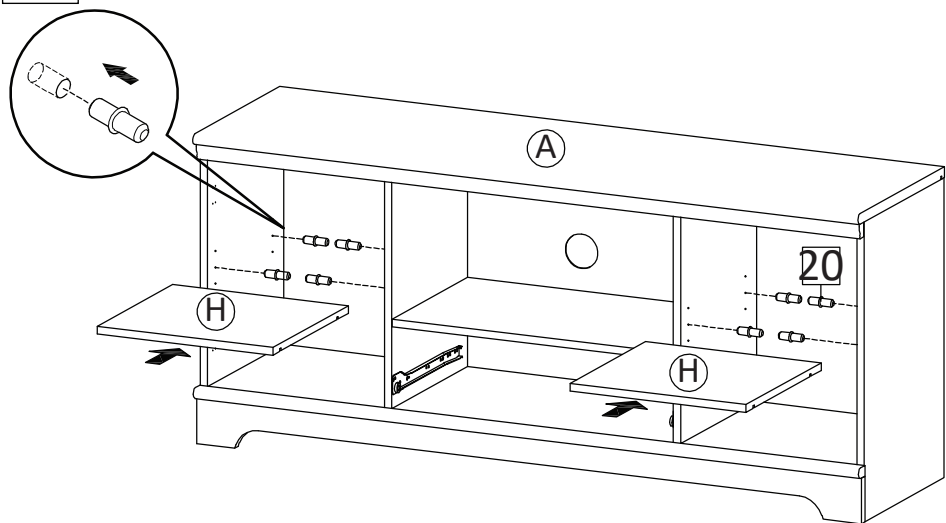
Attach Mini Block (HW8) to Front Skirt (I) , gently use nylon hammer if needed.

17



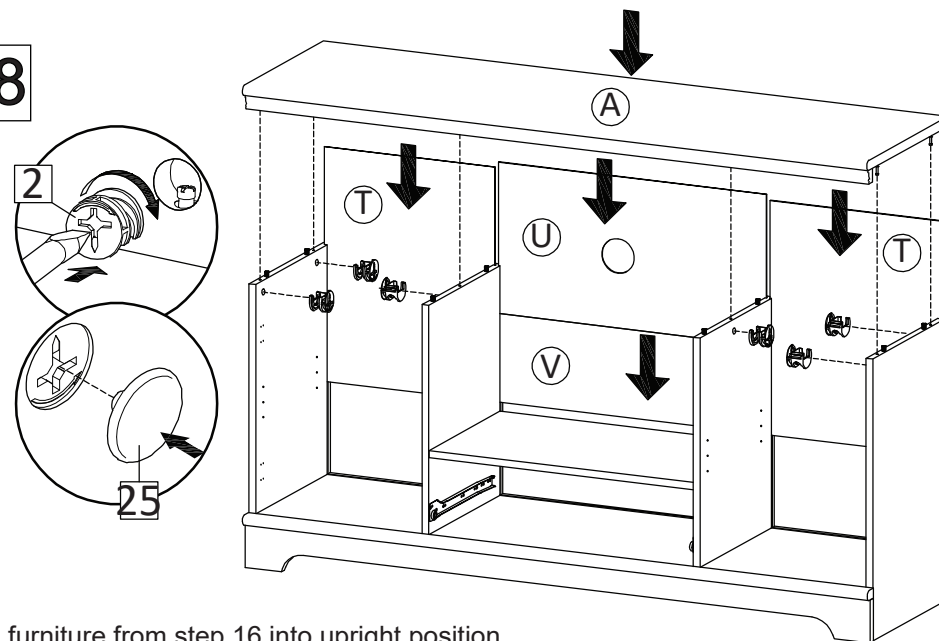
Bring Front Skirt from step 16 and attach into Top Board (A) , secure with Screw M3.5x20 (HW12) using screw driver

19



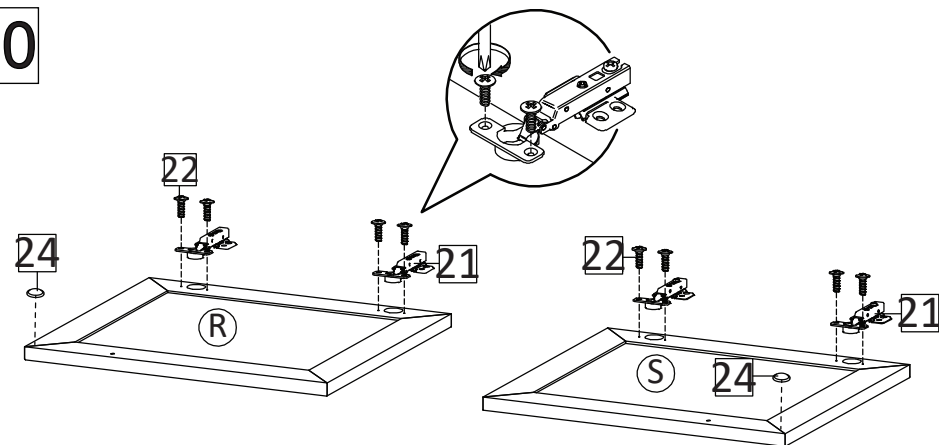
Insert Shelf Pin (HW20) into desired hole level. Then place Adjustable Shelf ( H )

18



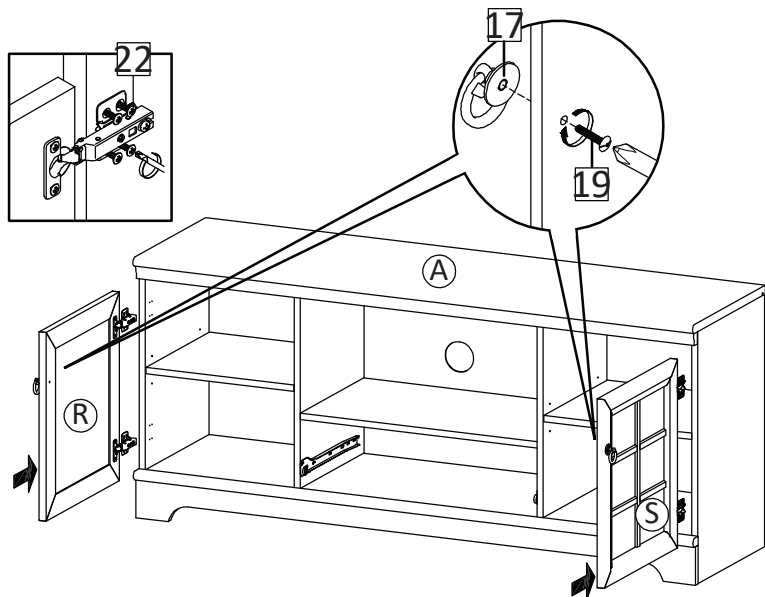
Bring furniture from step 16 into upright position. Insert Back Board 1 (T) into position at left and right. Insert Back Board 2 ( U ) into position at center, then followed by inserting Back Board 3 (V) at upper of Back Board 2 (U) Bring Top Board from step 17 , insert Camlock Big (HW2) then tighten Camlock (HW2) using screwdriver

20



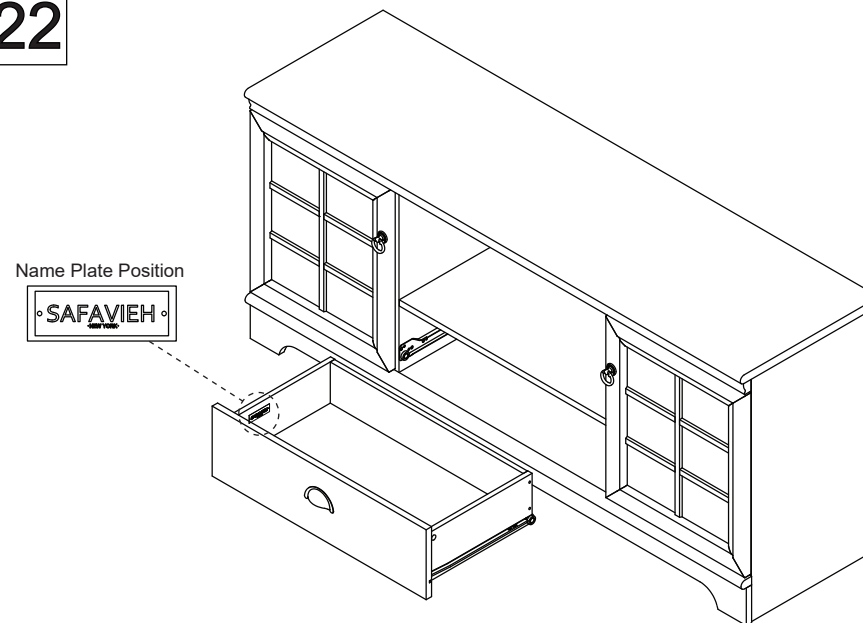
Install Hinge (HW21) into Frame Door Left ( R ) and Frame Door Right ( S ) using Screw 4.5x12.5 (HW22) , tightened with Screwdriver. Stick Bumper into position as shown by the figure

21



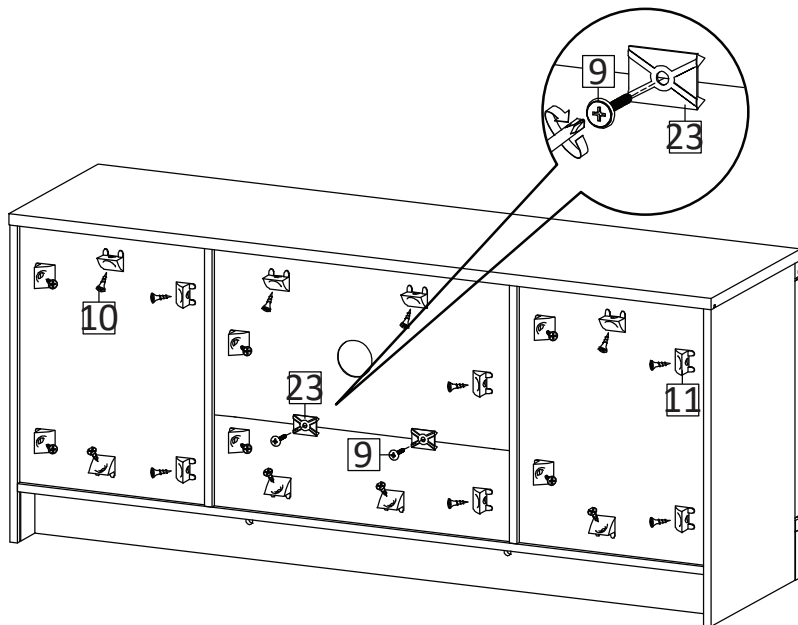
Install Frame Door Left (R ) and secure the hinge into Side Panel Left of the furniture, by using Screw 4.5x12.5 (HW22) , tightened with Screwdriver. Repeat the step with Frame Door Right (S).

22



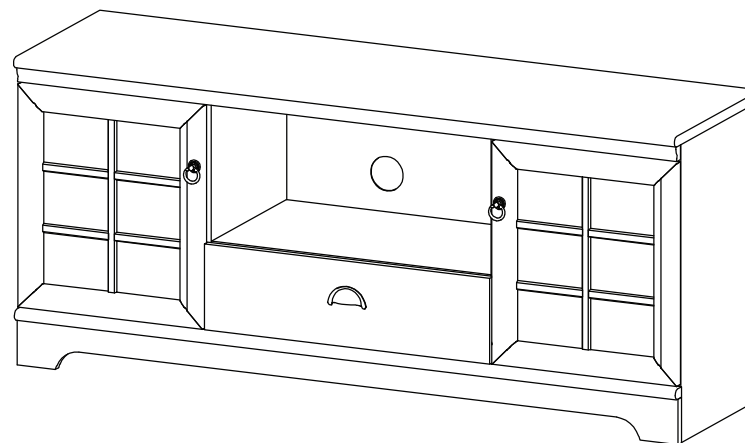
Insert the Drawer into furniture.

23



Use Wedge (HW11), Screw M 3.5 x15.5 (HW10) to tighten the back of media stand by using screwdriver.  
Use Back Panel Holder (HW23) and Screw M4 x 17 (HW9) to combine together upper and lower backboard.

24



Assembly is completed.