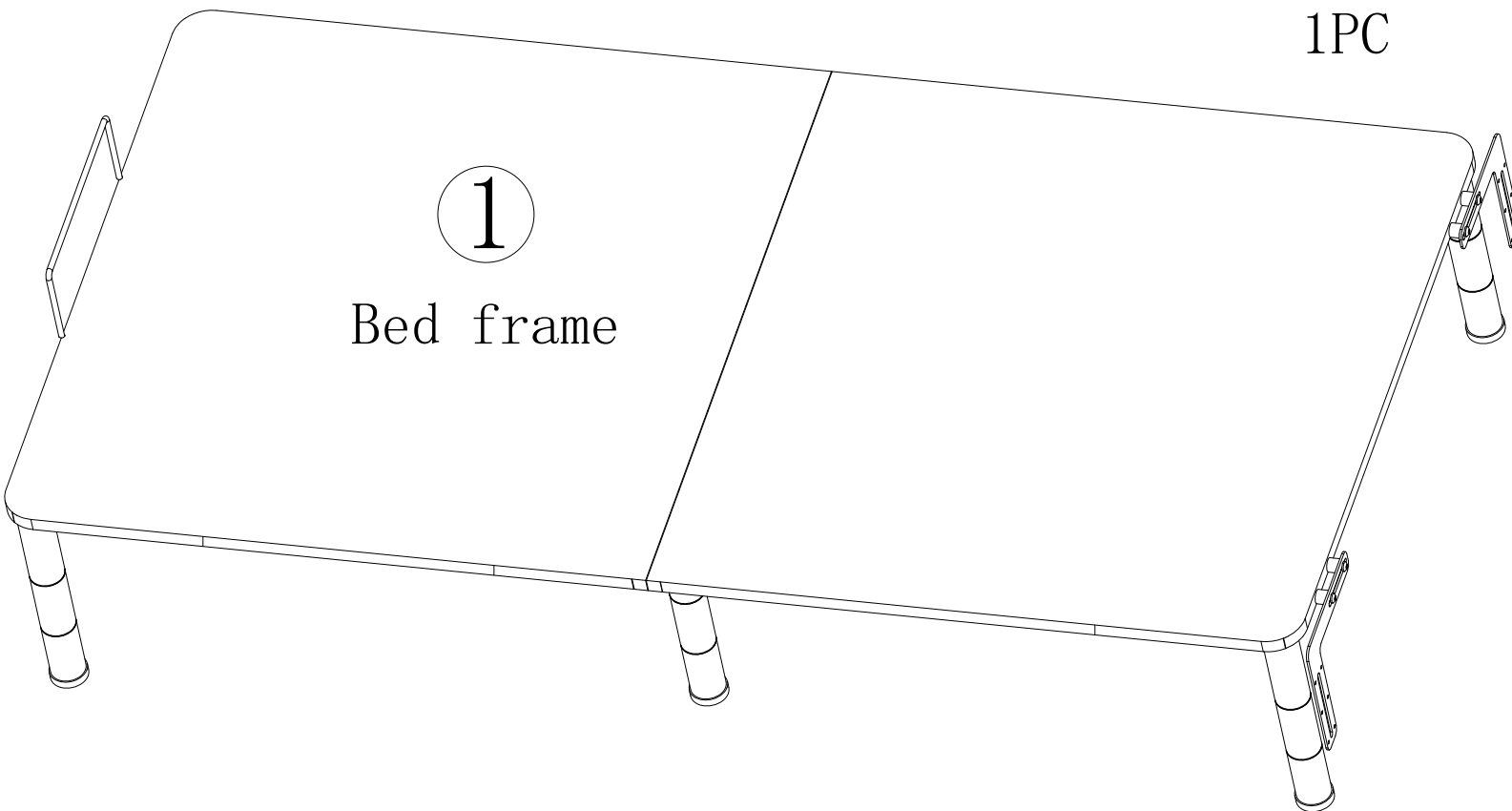
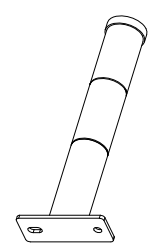
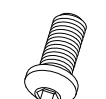
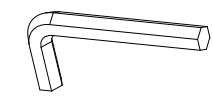
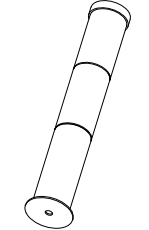
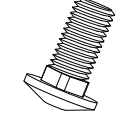


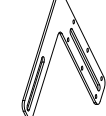
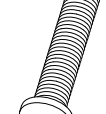
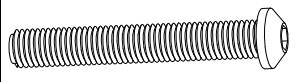
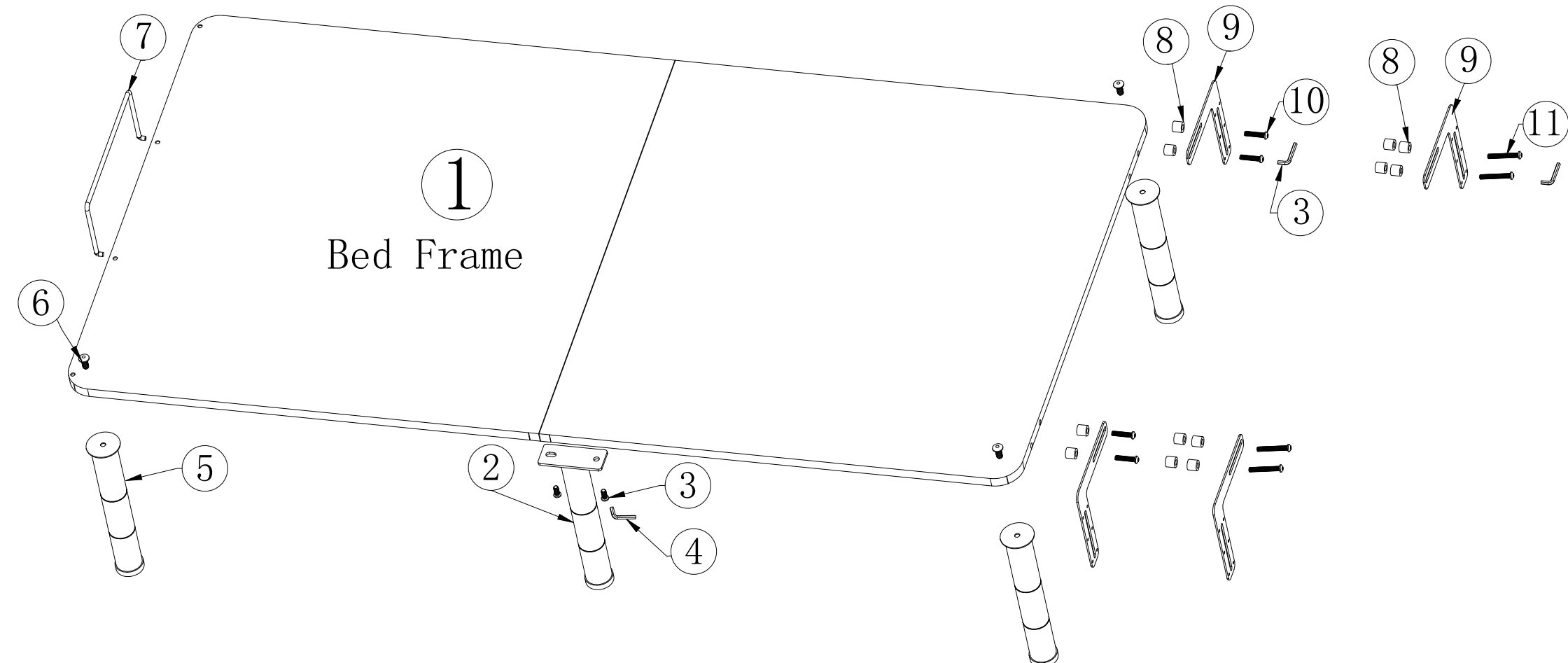


ITEM NO	PARTS LIST	QTY
		1PC
②		Center Leg 2PCS
③		Bolt:M8*20 4PCS
④		Wrench:M5 1PC
⑤		Corner Leg 4PCS
⑥		Bolt:M10*20 4PCS
⑦		Mattress Guard TwinXL *1PC Full/Queen*2PCS
⑧		Spacer 12PCS
⑨		Headboard Bracket 2PCS
⑩		Bolt:M8*40 4PCS
⑪		Bolt:M8*60 4PCS



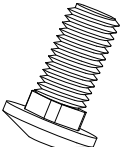
UPSable Metal Bed Frame (Twin/Twin XL/Full/Queen) Installation Guide:  
Please see attached Part list:

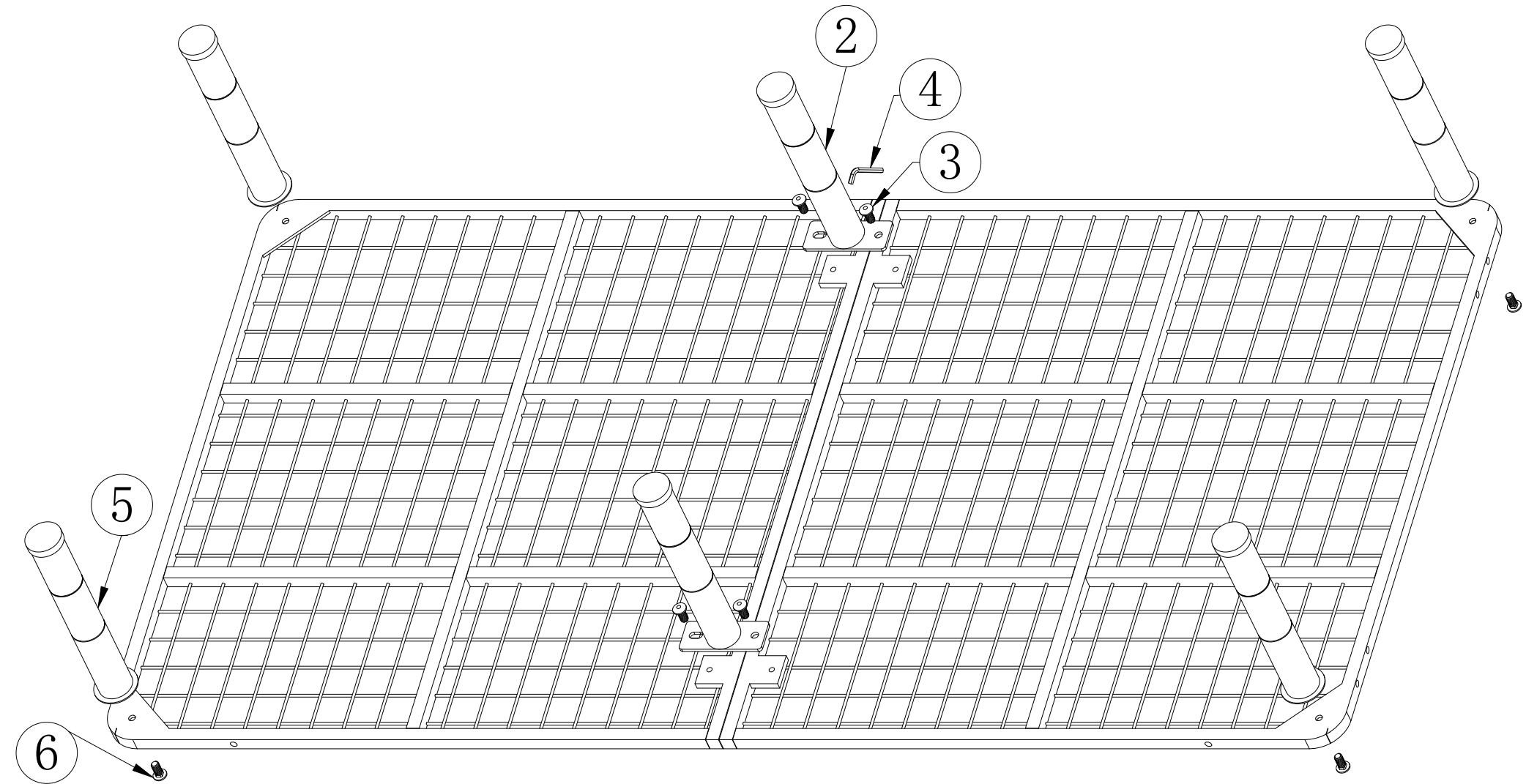
1. Install Two Center Legs (2):

Please screwed and tighten up two center legs with two bolts (3), with Allen Key Wrench (4), see image attached.

2. Install Four Corner Legs (5):

Please screwed and tighten up the four corner legs (5) with four bolts (6) on each corner with Allen Key Wrench (4), see image attached.

ITEM NO	PARTS LIST		QTY
②		Center Leg	2PCS
③		Bolt:M8*20	4PCS
④		Wrench:M5	1PC
⑤		Corner Leg	4PCS
⑥		Bolt:M10*20	4PCS



3. Install Retainer Bar (7)

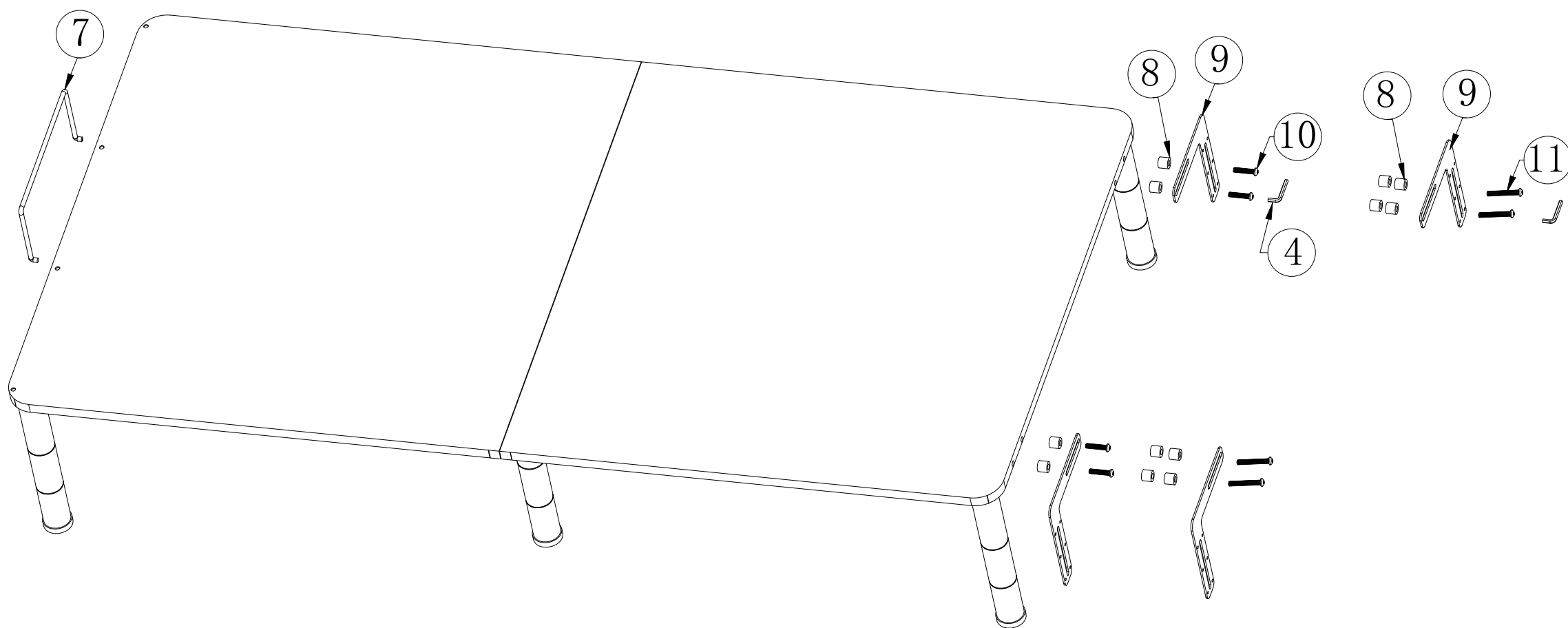
Insert the retainer bar (7) into the holes located at the foot of the base.


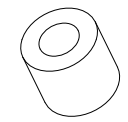
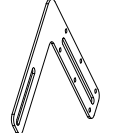
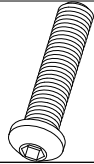
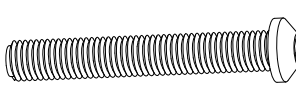
(Twin/Twin XL \*1PC; Full/Queen\*2PCS)

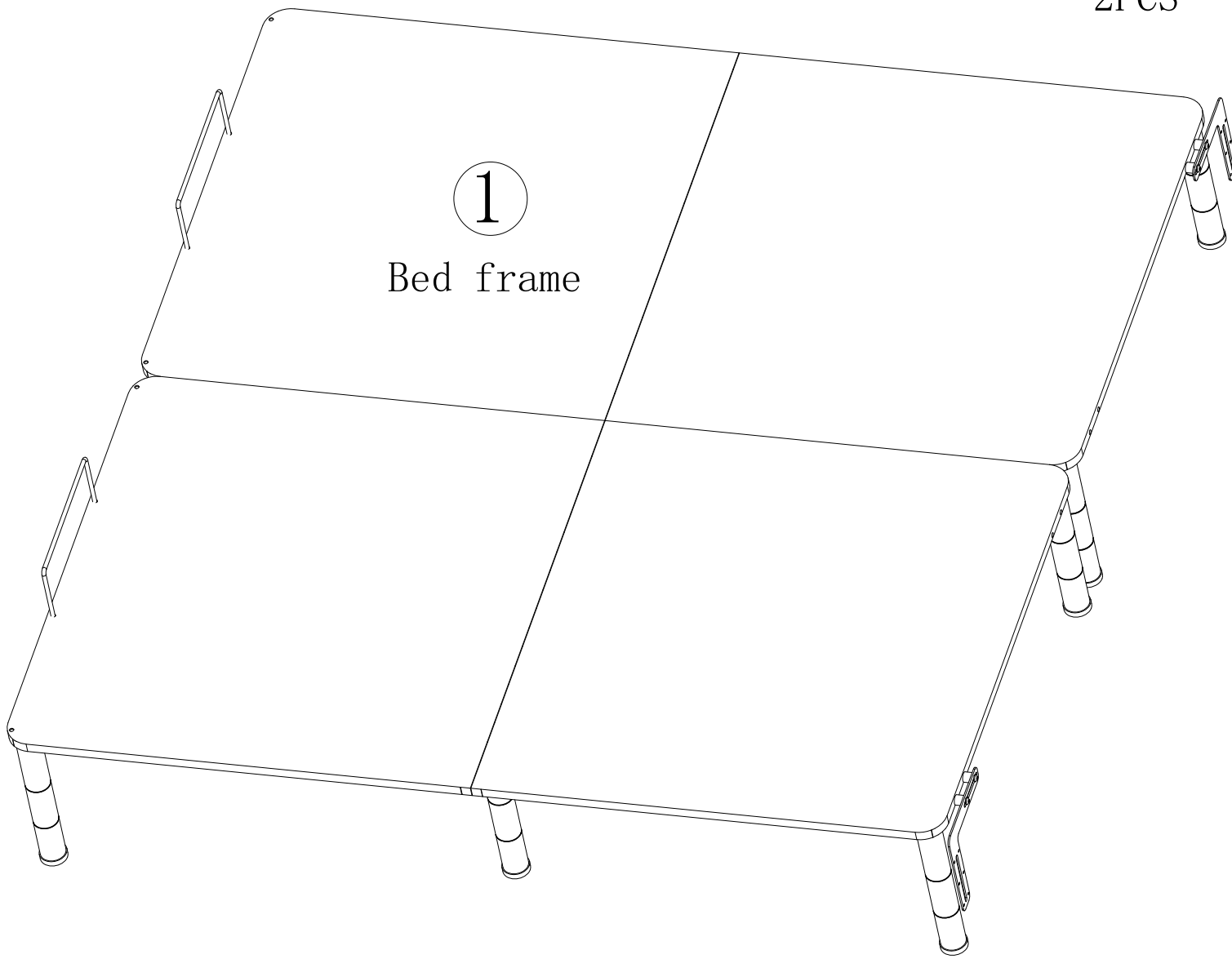
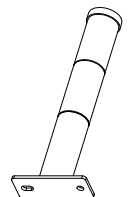


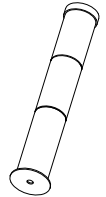
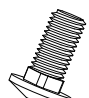

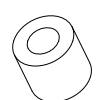
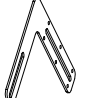
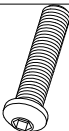
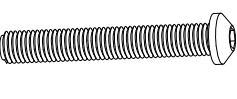
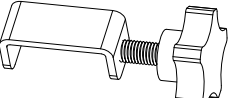
4. Install headboard bracket (9)

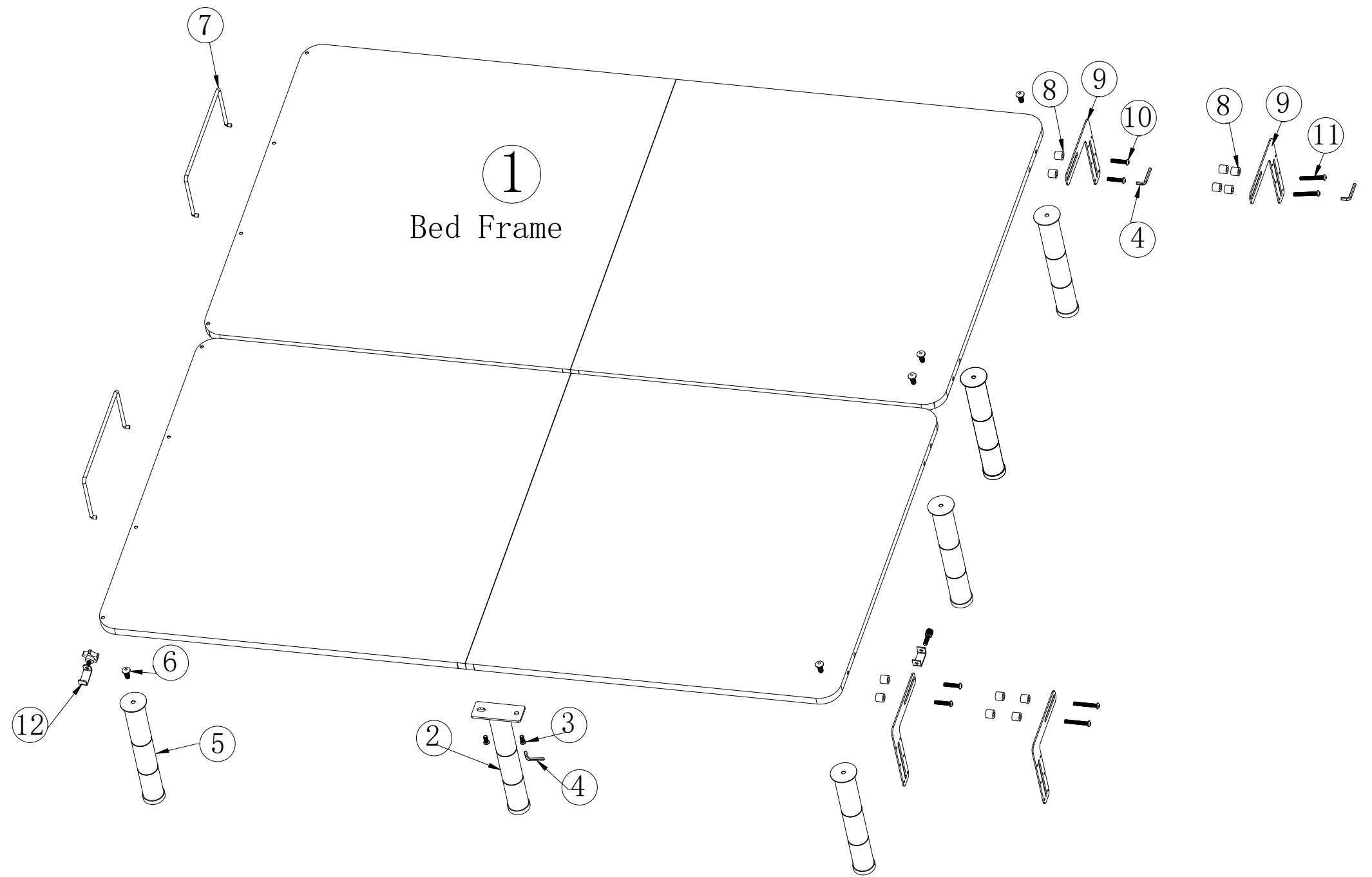
Insert the two bolts (10) into headboard bracket (9) and two spacers (8), then screwed and tighten up them with bed frame on head side of the base with Allen Key Wrench (4), same steps apply to both left and right, see image attached.

Notes: If you want to keep a distance between bed frame and head board, please use bolt (11) insert into headboard bracket (9) and spacers (8), then screwed and tighten up them with bed frame on head side of the base with Allen Key Wrench (4), same steps apply to both left and right, see image attached.



ITEM NO	PARTS LIST		QTY
7		Mattress Guard	TwinXL *1PC Full/Queen*2PCS
8		Spacer	12PCS
9		Headboard Bracket	2PCS
10		Bolt:M8*40	4PCS
11		Bolt:M8*60	4PCS

ITEM NO	PARTS LIST	QTY
	 <p>① Bed frame</p>	2PCS
②	 <p>Center Leg</p>	4PCS
③	 <p>Bolt:M8*20</p>	8PCS
④	 <p>Wrench:M5</p>	1PC
⑤	 <p>Corner Leg</p>	8PCS
⑥	 <p>Bolt:M10*20</p>	8PCS
⑦	 <p>Mattress Guard</p>	Full/Queey *2
⑧	 <p>Spacer</p>	4PCS
⑨	 <p>Headboard Bracket</p>	2PCS
⑩	 <p>Bolt:M8*40</p>	4PCS
⑪	 <p>Bolt:M8*60</p>	4PCS
⑫	 <p>Connector Bracket</p>	2SETS



UPSable Metal Bed Frame (King) Installation Guide:  
Please see attached Part list:

1. Please use the two base of Connector Bracket (12) to combine two Twin XL bases into a King base, see image attached.

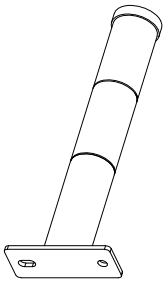
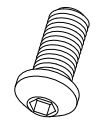
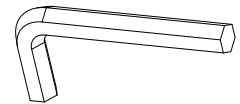
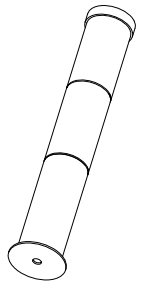
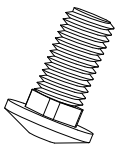
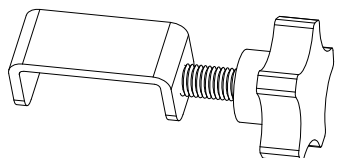
Note: There are two sets Connector Bracket, one for head side, one for foot side.

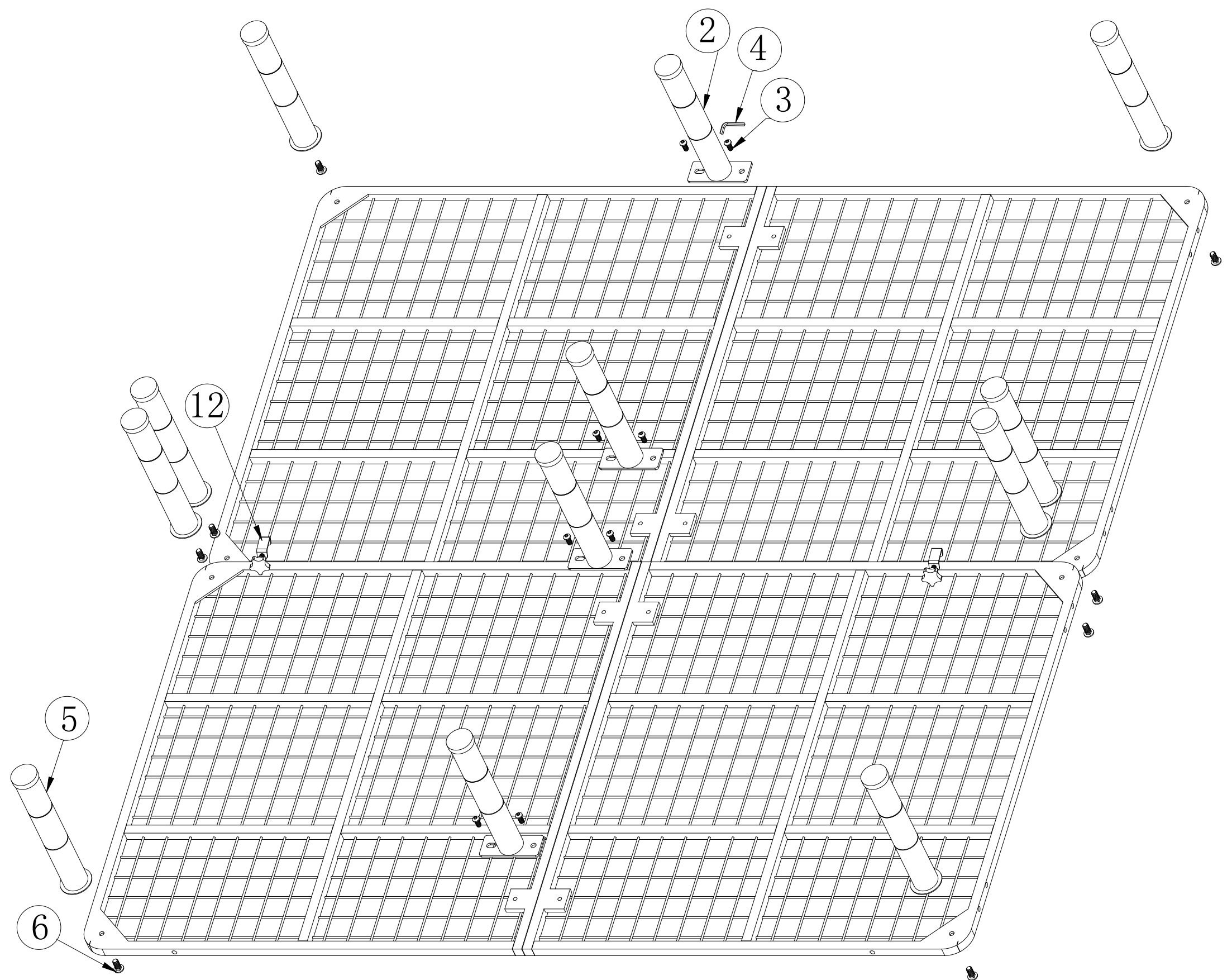
2. Install Four Center Legs (2):

Please screwed and tighten up four center legs (2) with four bolts (3), with Allen Key Wrench (4), see image attached.

3. Install Eight Corner Legs (5):

Please screwed and tighten up the eight corner legs (5) with eight bolts (6) on each corner with Allen Key Wrench (4), see image attached.

ITEM NO	PARTS LIST		QTY
②		Center Leg	4PCS
③		Bolt: M8*20	8PCS
④		Wrench: M5	1PC
⑤		Corner Leg	8PCS
⑥		Bolt: M10*20	8PCS
⑫		Connector Bracket	2PCS



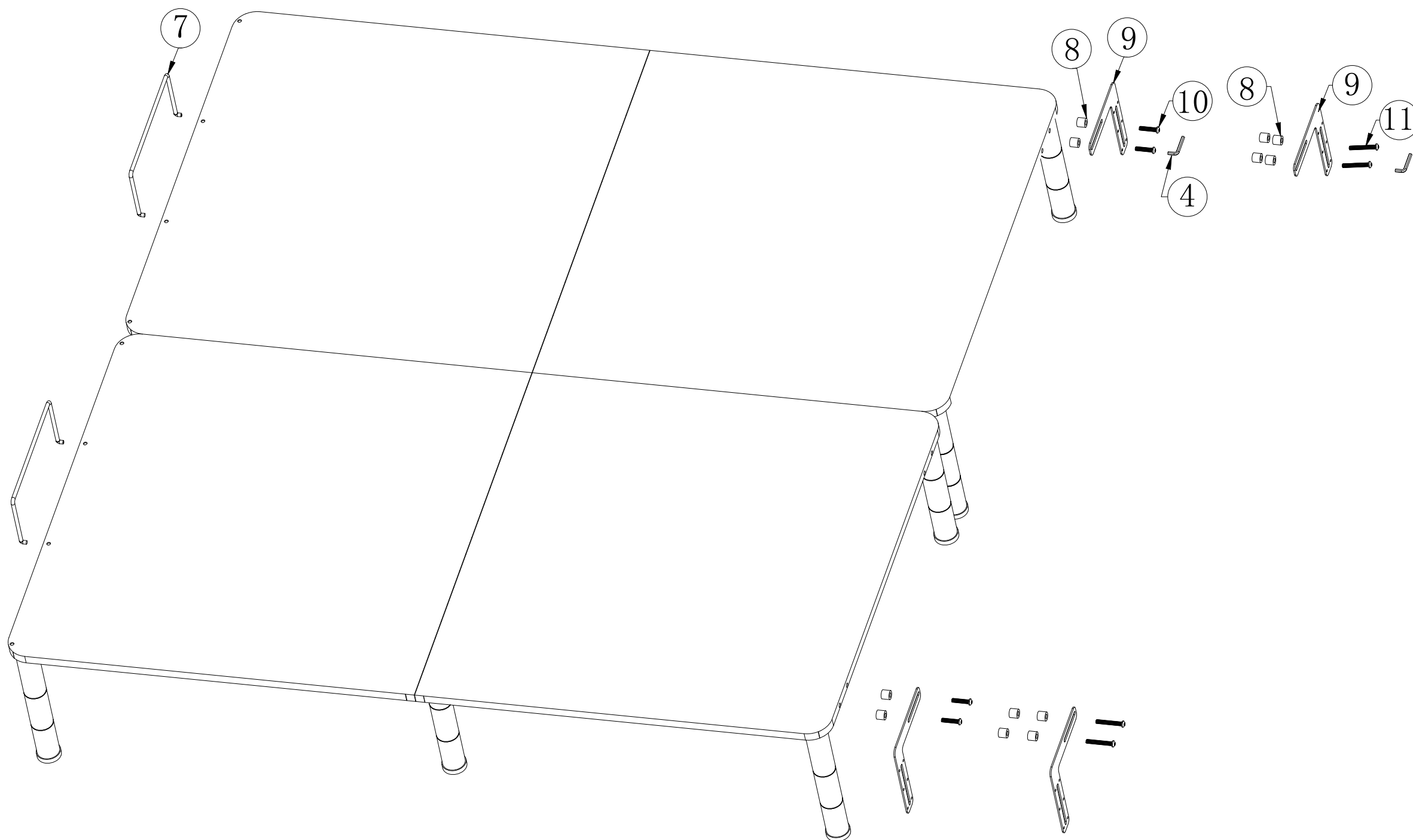
4. Install Retainer Bar (7)


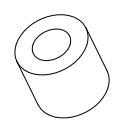
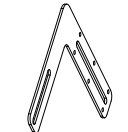
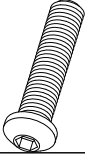
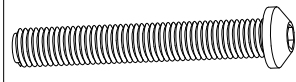
Insert the two retainer bars (7) into the holes located at the foot of the base.

5. Install headboard bracket(9)

Insert the two bolts (10) into headboard bracket (9) and two spacers (8), then screwed and tighten up them with bed frame on head side of the base with Allen Key Wrench (4), same steps apply to both left and right, see image attached.

Notes: If you want to keep a distance between bed frame and head board, please use bolt (11) insert into headboard bracket (9) and spacers (8), then screwed and tighten up them with bed frame on head side of the base with Allen Key Wrench (4), same steps apply to both left and right, see image attached.



ITEM NO	PARTS LIST		QTY
⑦		Mattress Guard	King*2PCS
⑧		Spacer	4PCS
⑨		Headboard Bracket	2PCS
⑩		Bolt:M8*40	4PCS
⑪		Bolt:M8*60	4PCS