

Charging Nightstand

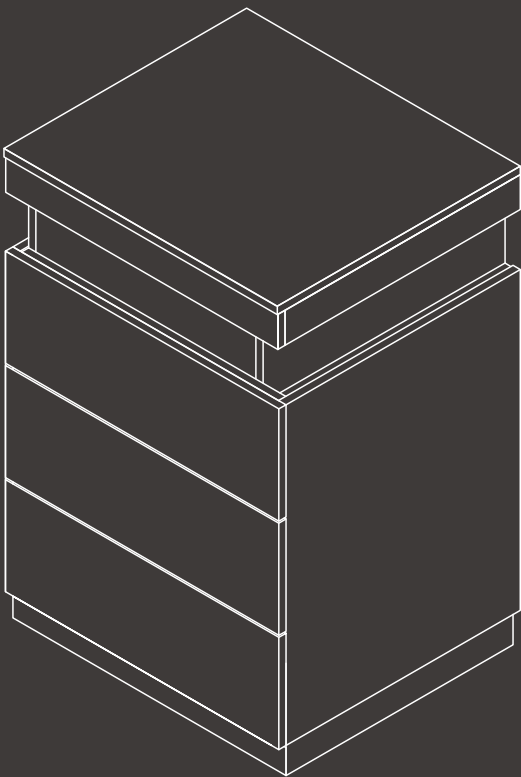
Instruction Manual

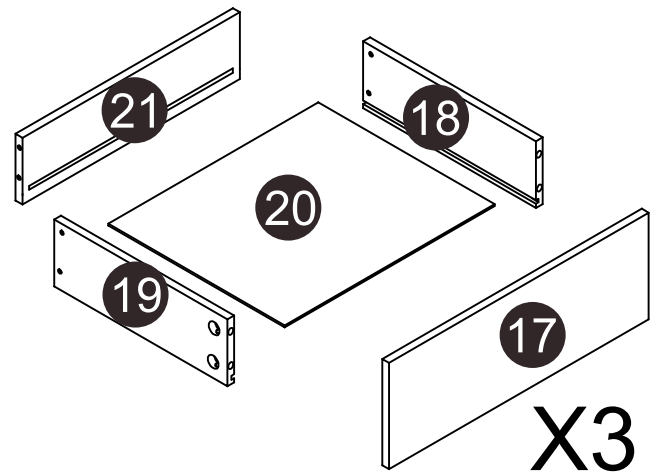
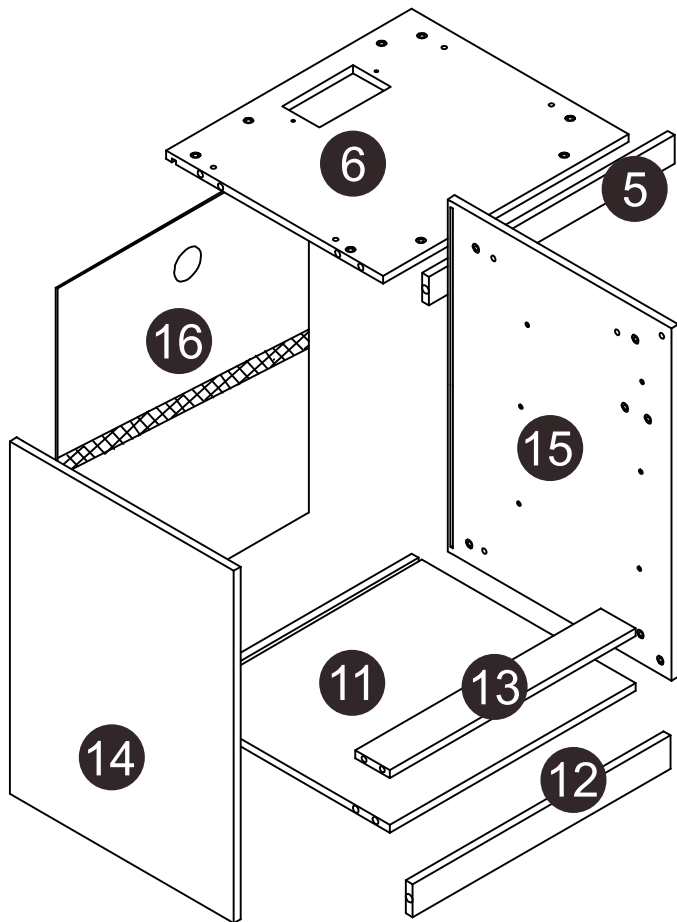
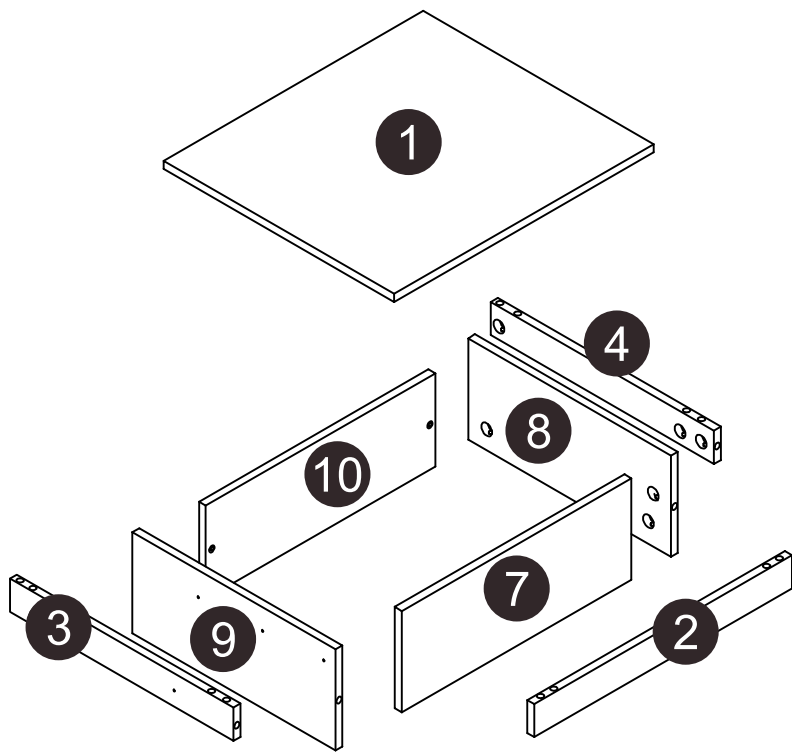
Mesita de noche con cargador

Manual de instrucciones

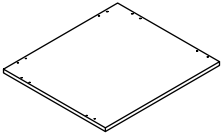
Table de Chevet de Chargement

Manuel d'Instruction





1 X1



2 X1



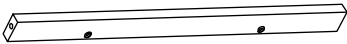
3 X1



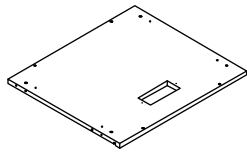
4 X1



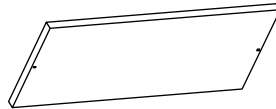
5 X1



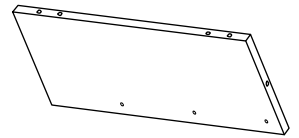
6 X1



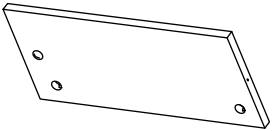
7 X1



8 X1



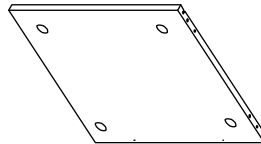
9 X1



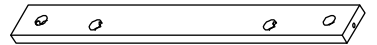
10 X1



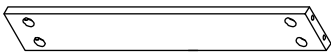
11 X1



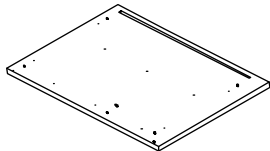
12 X1



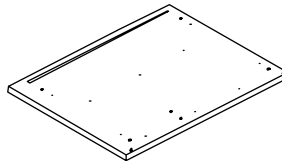
13 X1



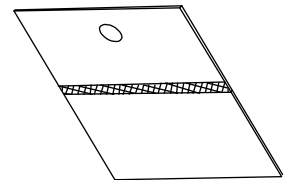
14 X1



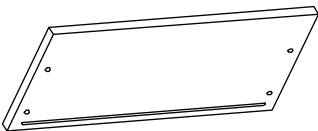
15 X1



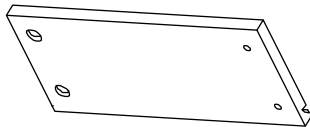
16 X1



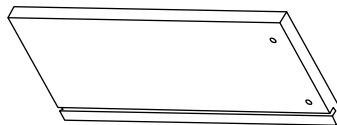
17 X3



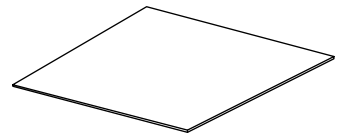
18 X3



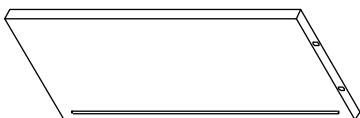
19 X3



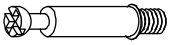
20 X3



21 X3



A X44



M6*35 mm

B X44



Ø15*9.5 mm

C X20



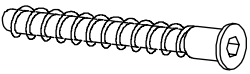
Ø6*30 mm

D x44



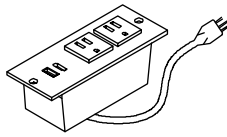
3.5*12 mm

E X6



M4*50 mm

F X1



G X8



H X8



3*15 mm

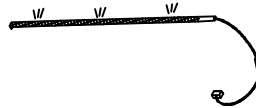
I X2



J X2



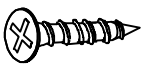
K X1



L X6



M X12

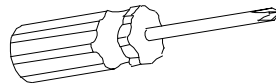


4*30 mm

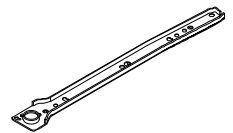
N X1



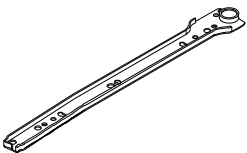
O X1



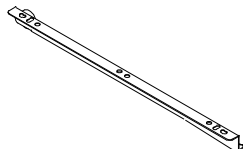
CL X3



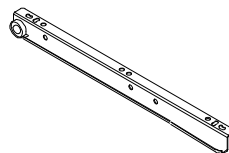
CR X3



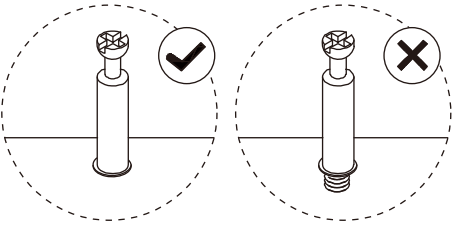
DL X3

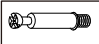




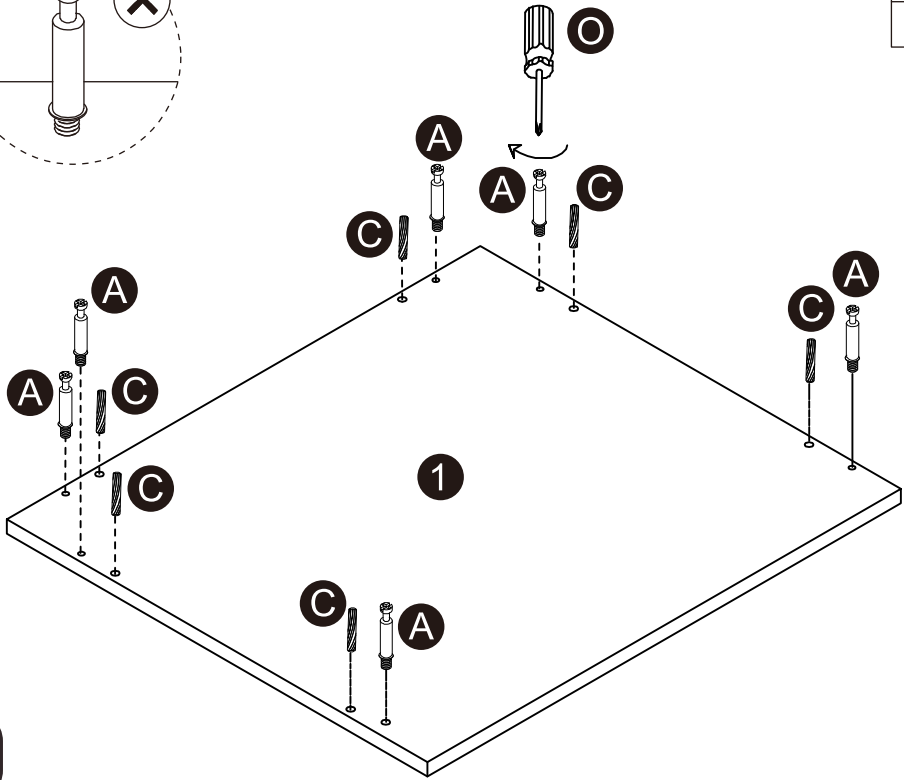
DR X3



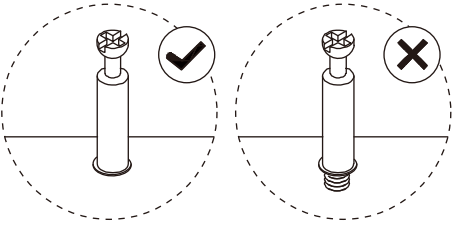
STEP 1

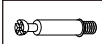



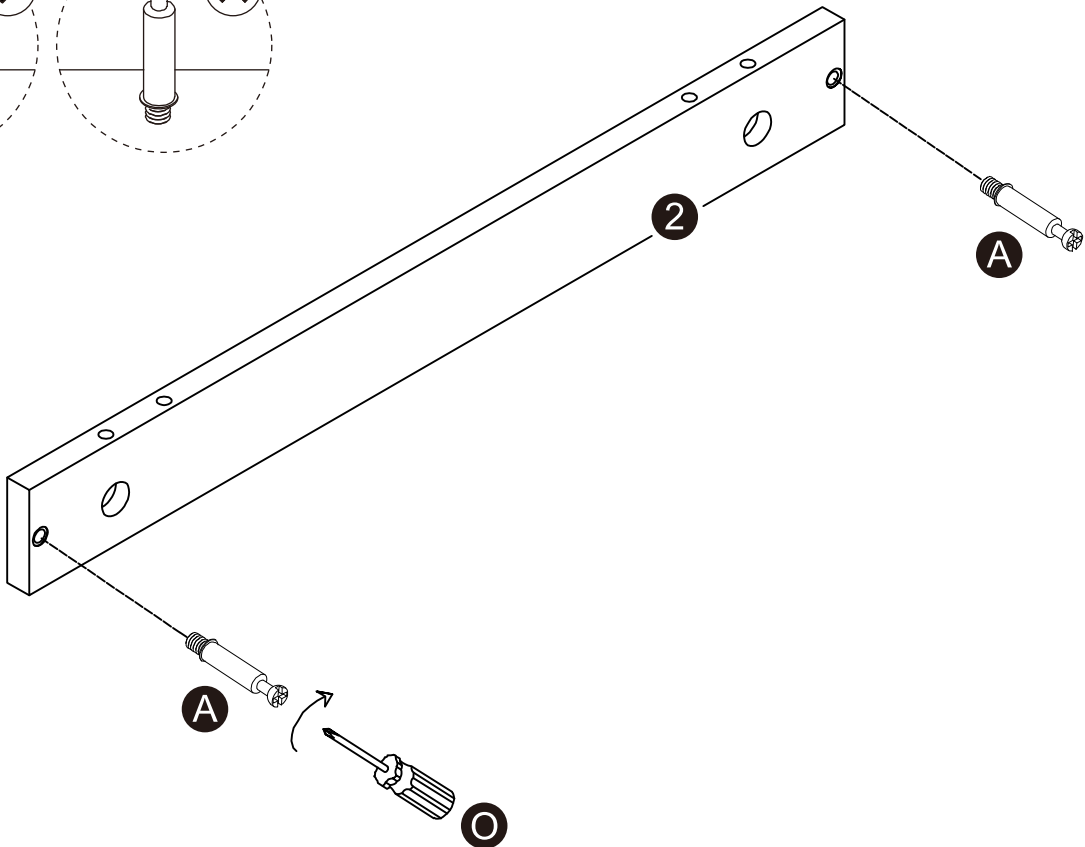
 M6*35 mm	 Ø6*30 mm	
A x6	C x6	O x1



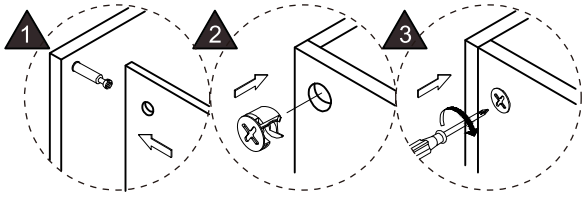
STEP 2


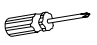


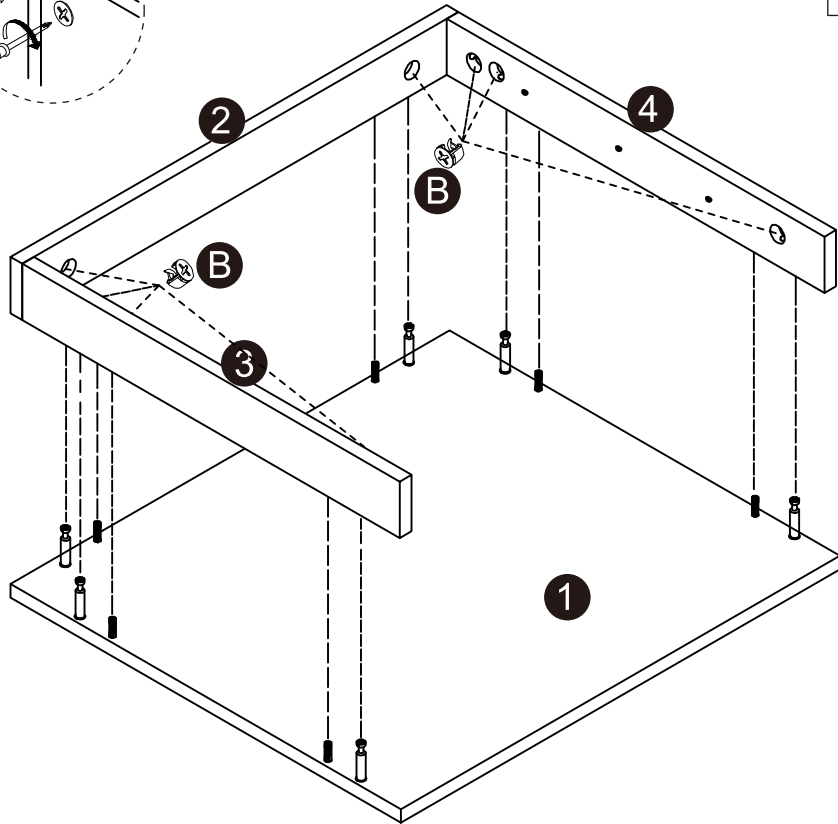
 M6*35 mm	
A x2	O x1



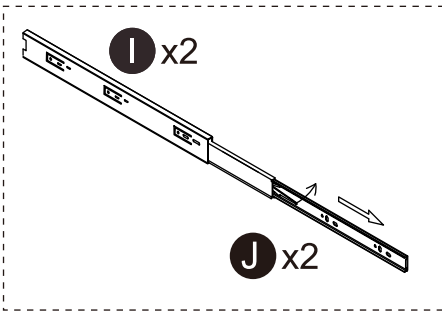
STEP 3





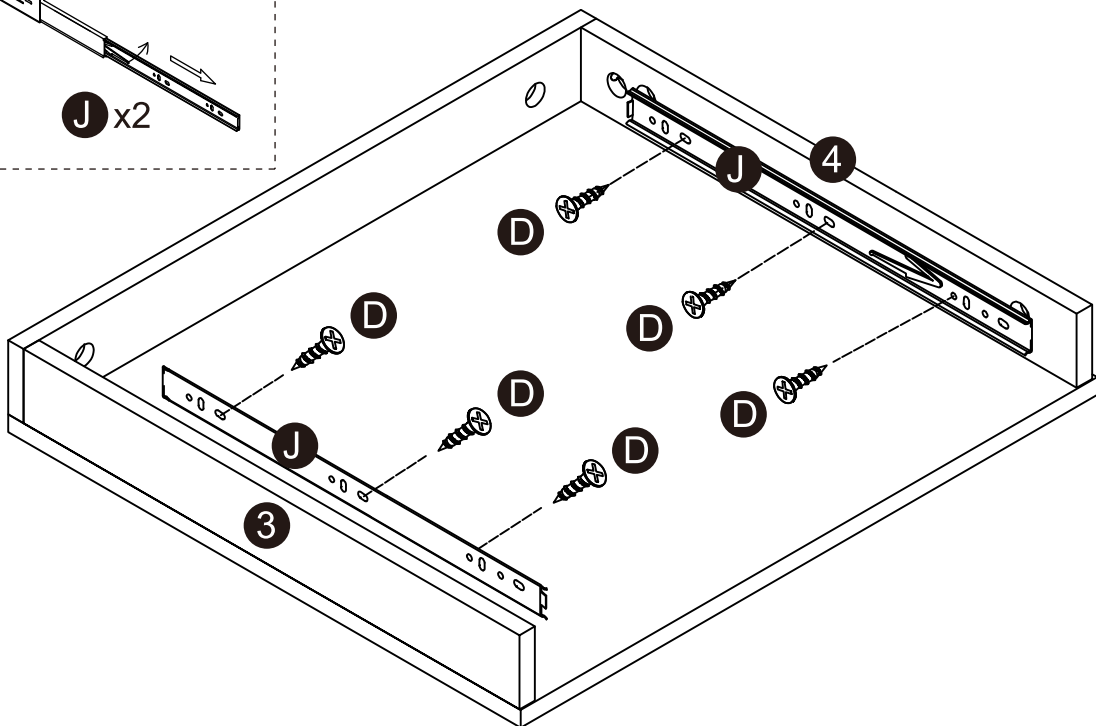
 Ø15*9.5 mm	
B x8	O x1



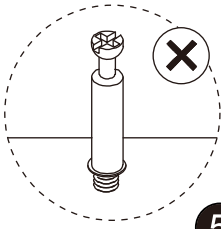
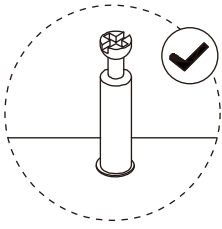
STEP 4

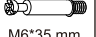



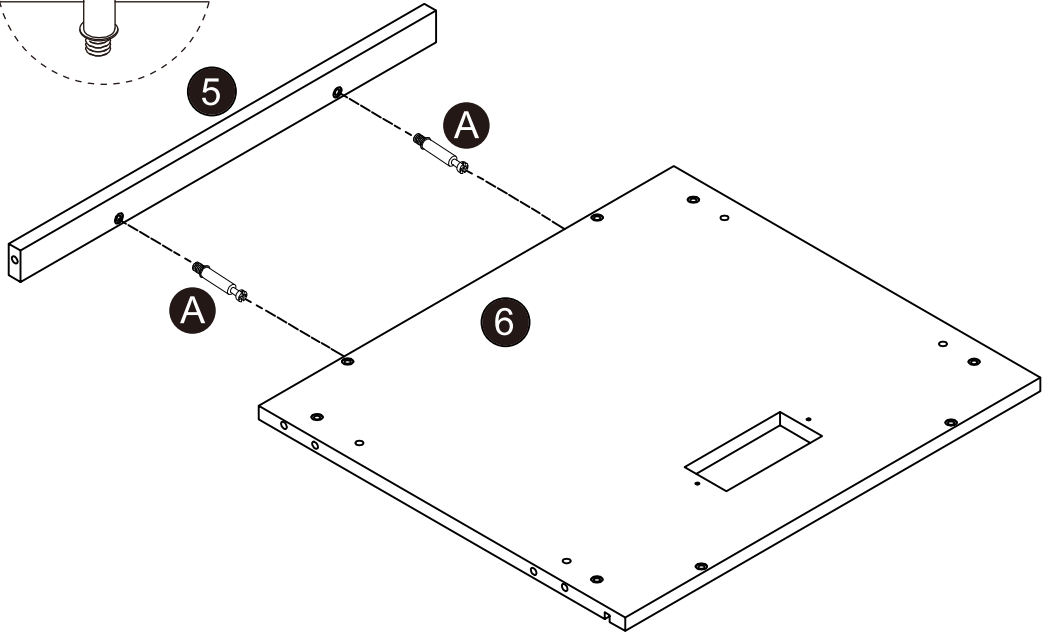
 3.5*12 mm	
J x2	D x6
	O x1



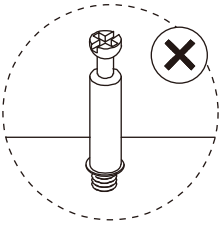
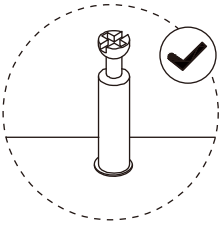
STEP 5



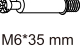
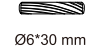



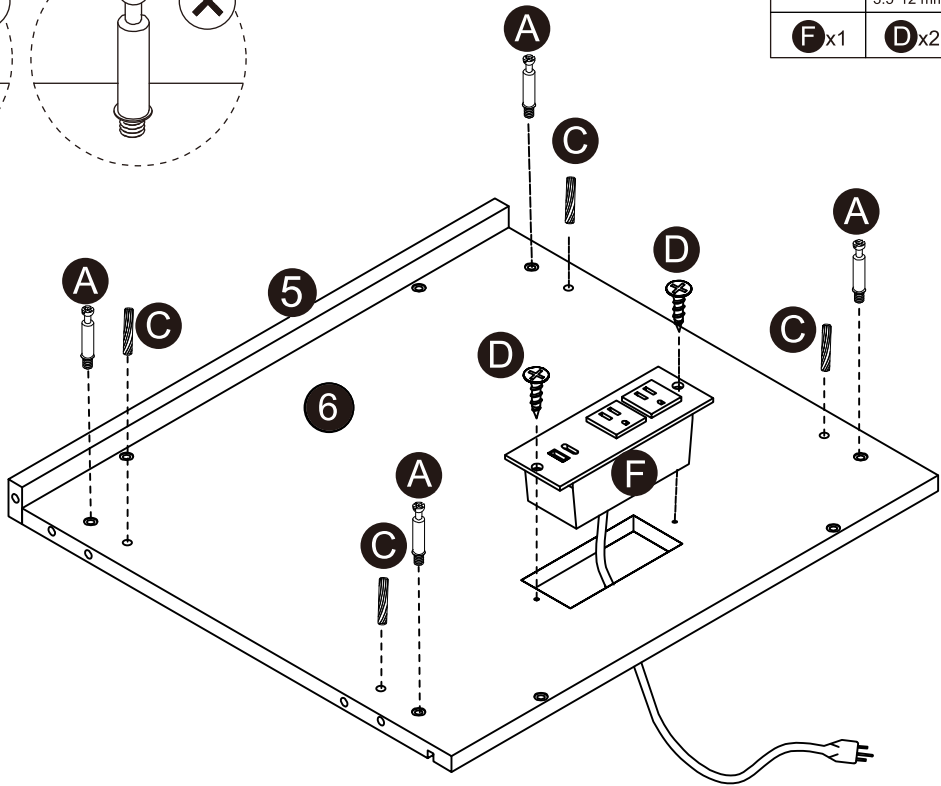
 M6*35 mm	
A x2	O x1



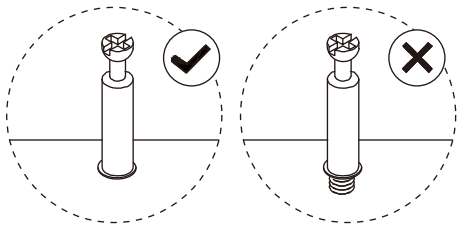
STEP 6

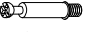



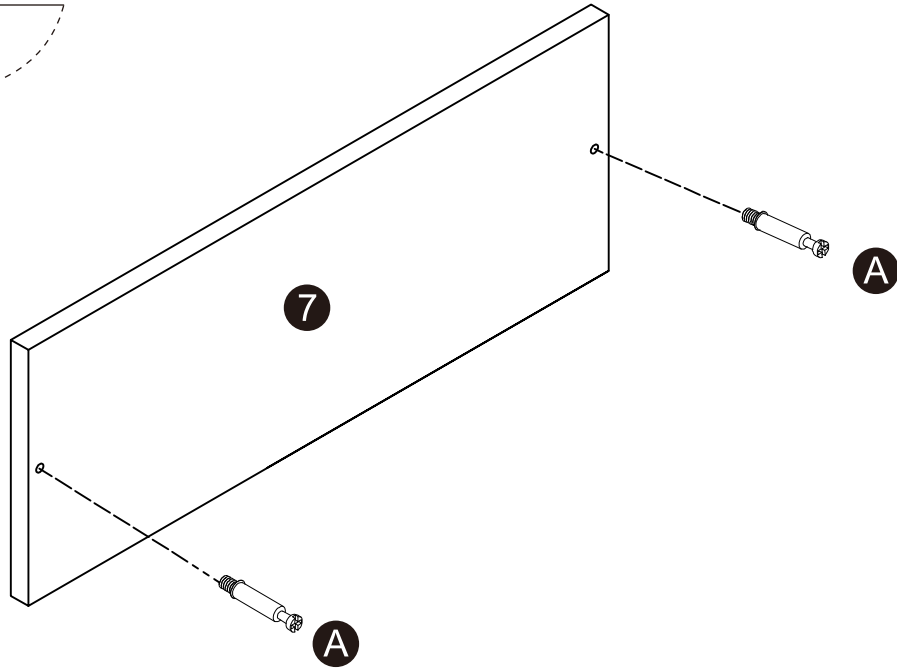
	 3.5*12 mm	 M6*35 mm	 Ø6*30 mm	
F x1	D x2	A x4	C x4	O x1



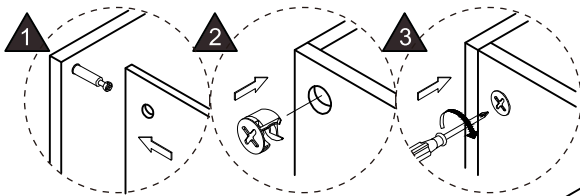
STEP 7





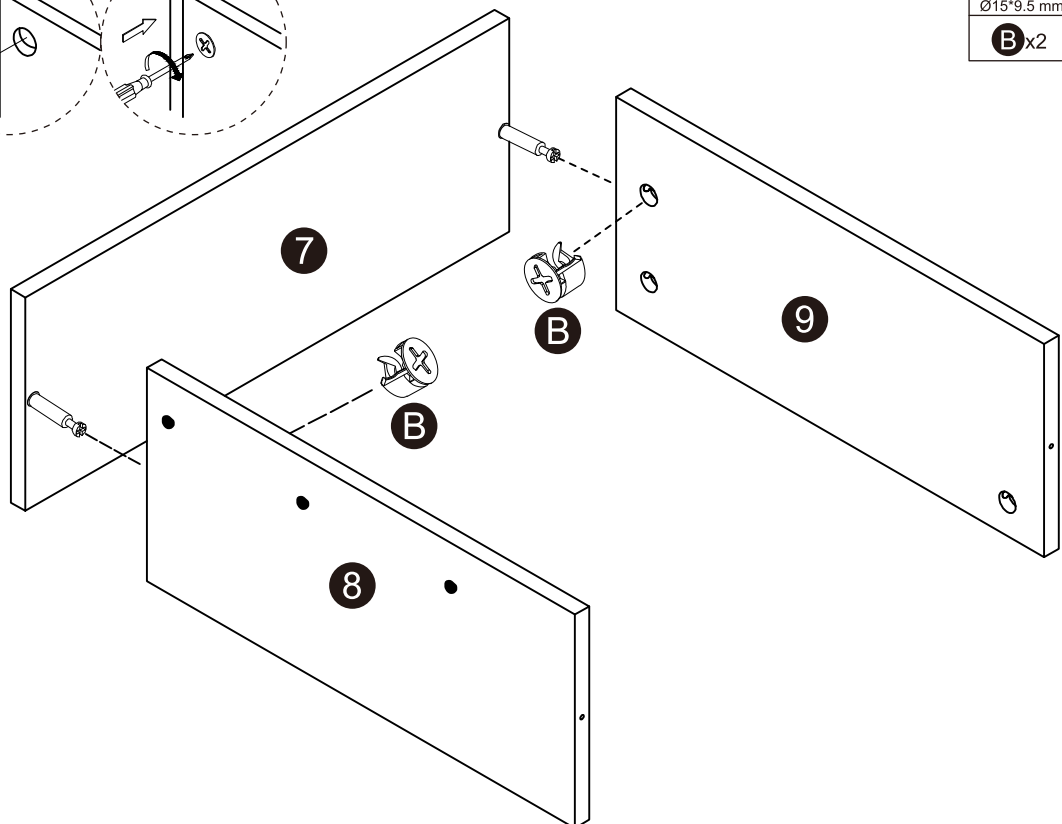
 M6*35 mm	
A x2	O x1



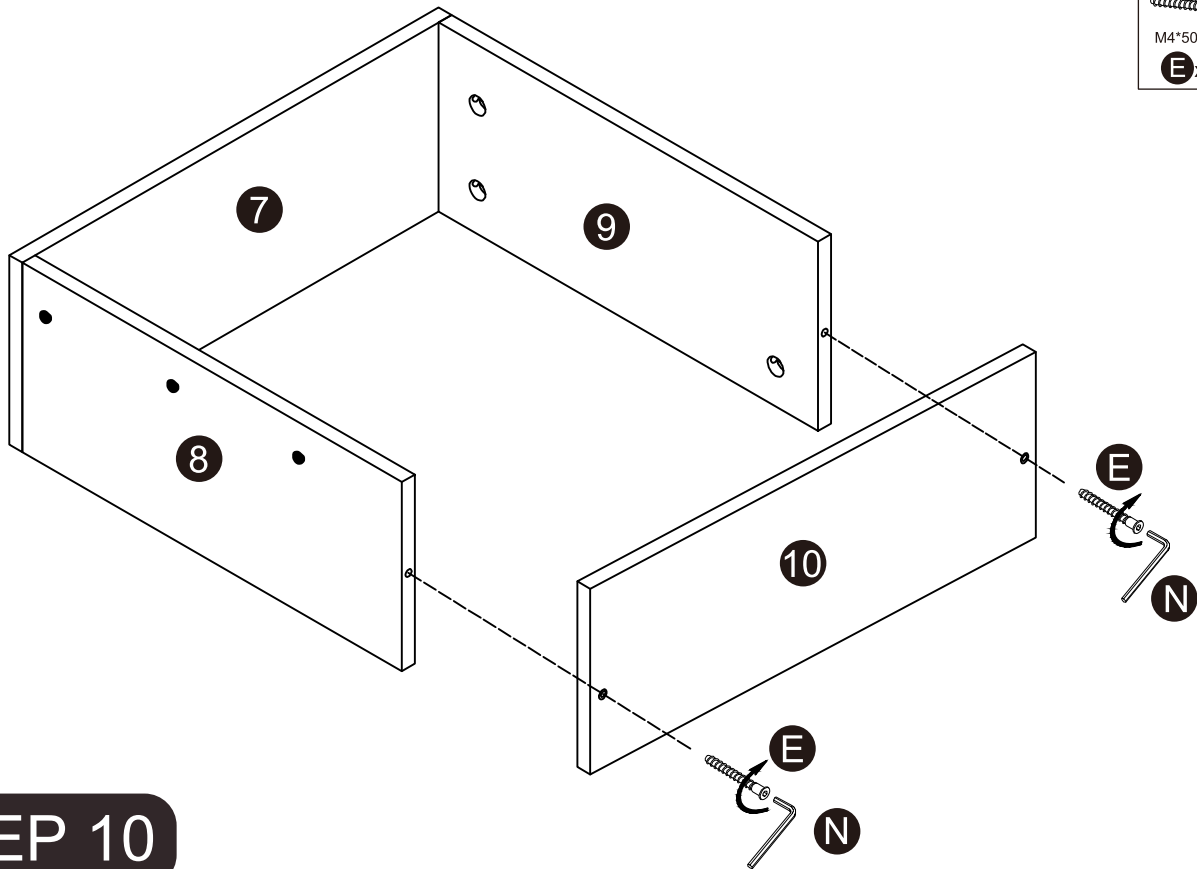
STEP 8



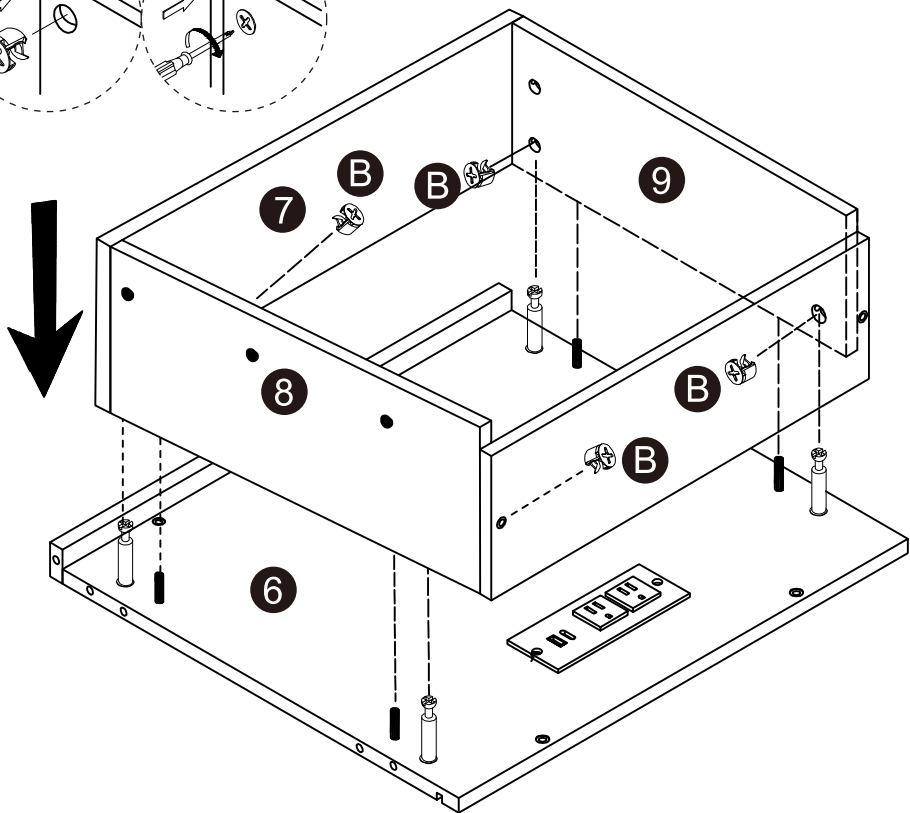
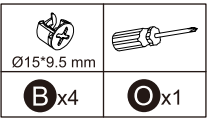
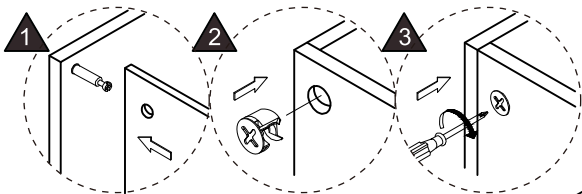
 Ø15*9.5 mm	
B x2	O x1



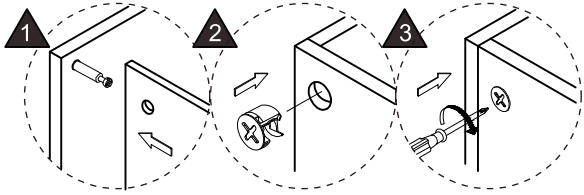
STEP 9

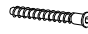





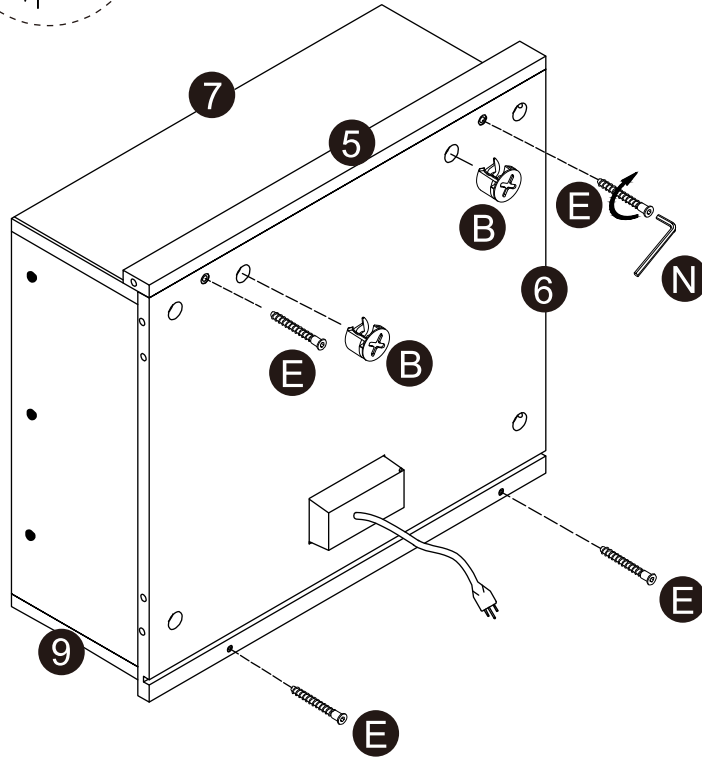
STEP 10



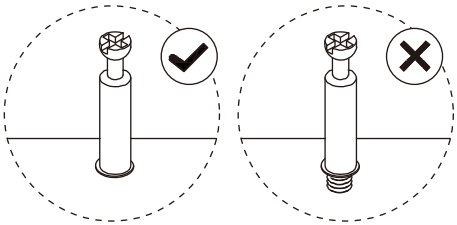
STEP 11

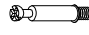



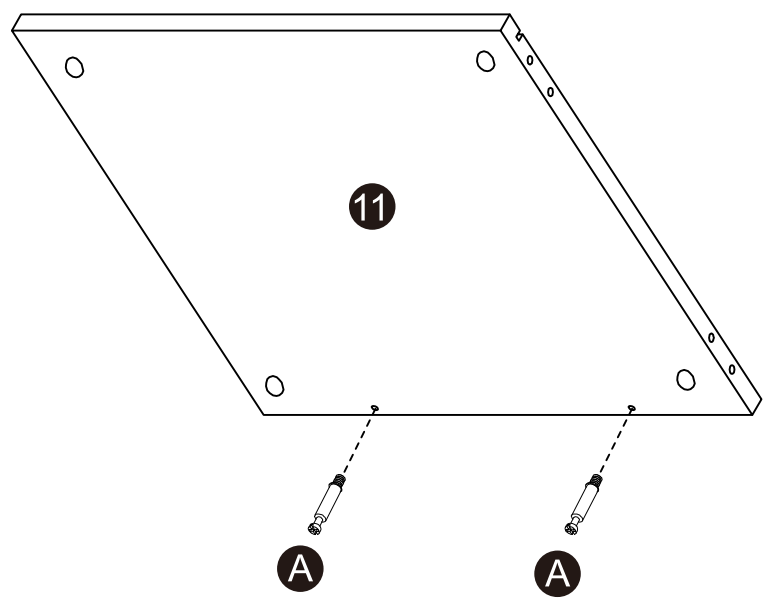
 M4*50 mm		 Ø15*9.5 mm	
E x4	N x1	B x2	O x1



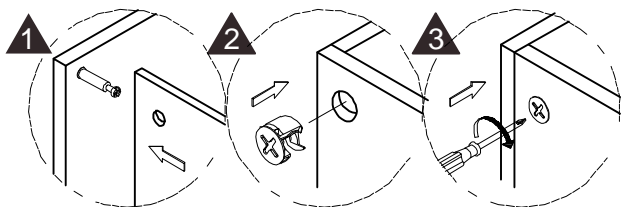
STEP 12





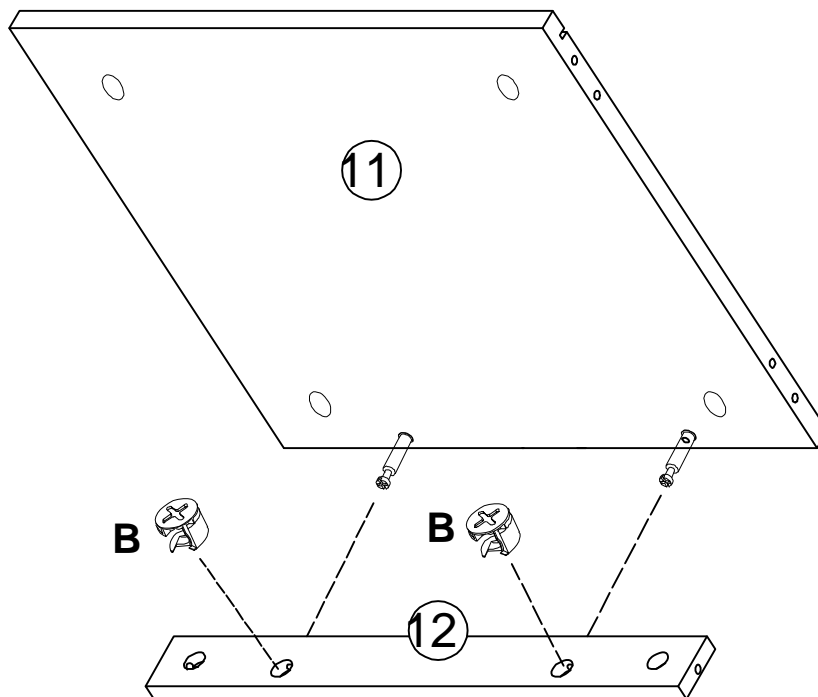
 M6*35 mm	
A x2	O x1



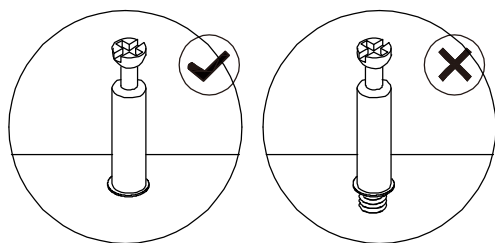
STEP 13


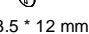
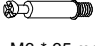




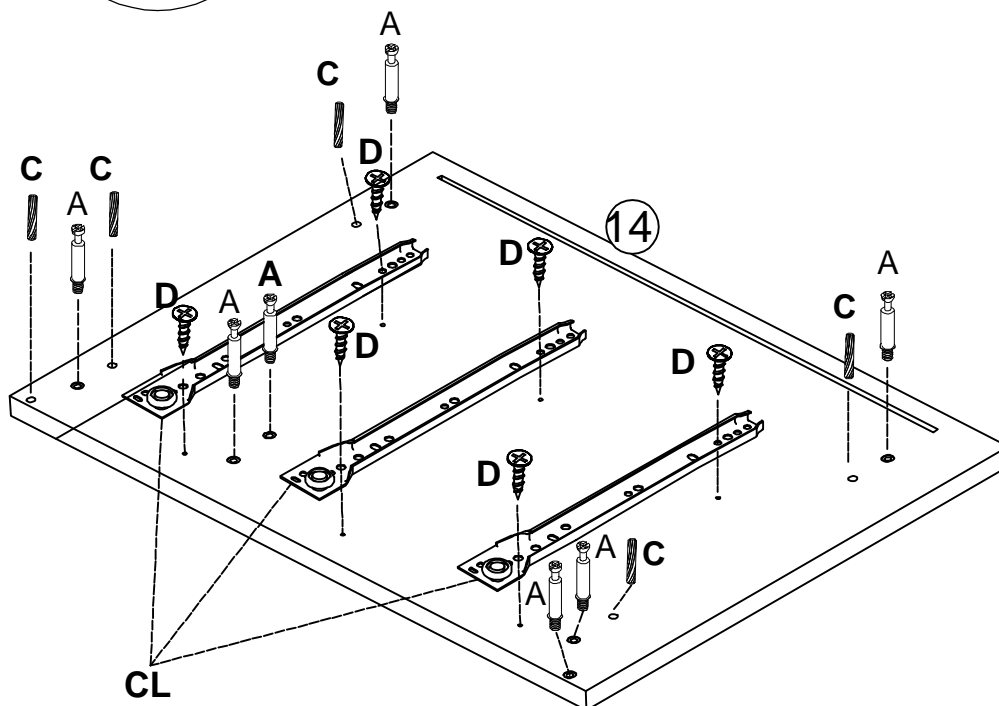
 Ø15 * 9.5 mm	
B x 2	O x 1



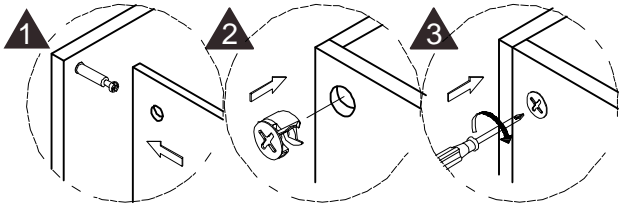
STEP 14



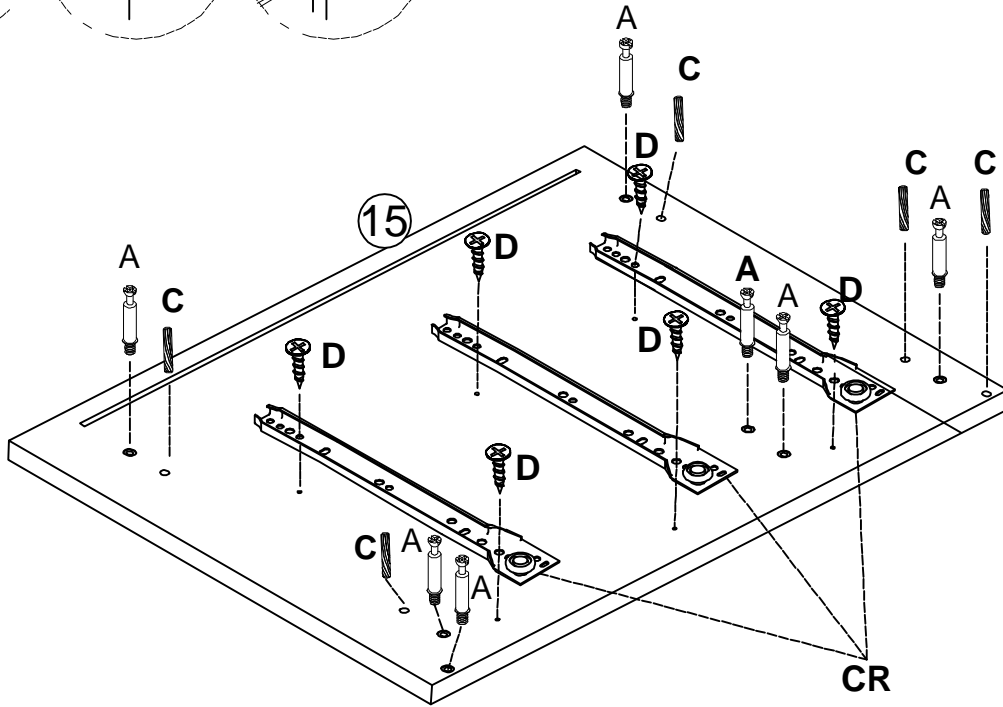
				
CL x 3	3.5 * 12 mm D x 6	M6 * 35 mm A x 7	Ø6* 30 mm C x 5	O x 1



STEP 15

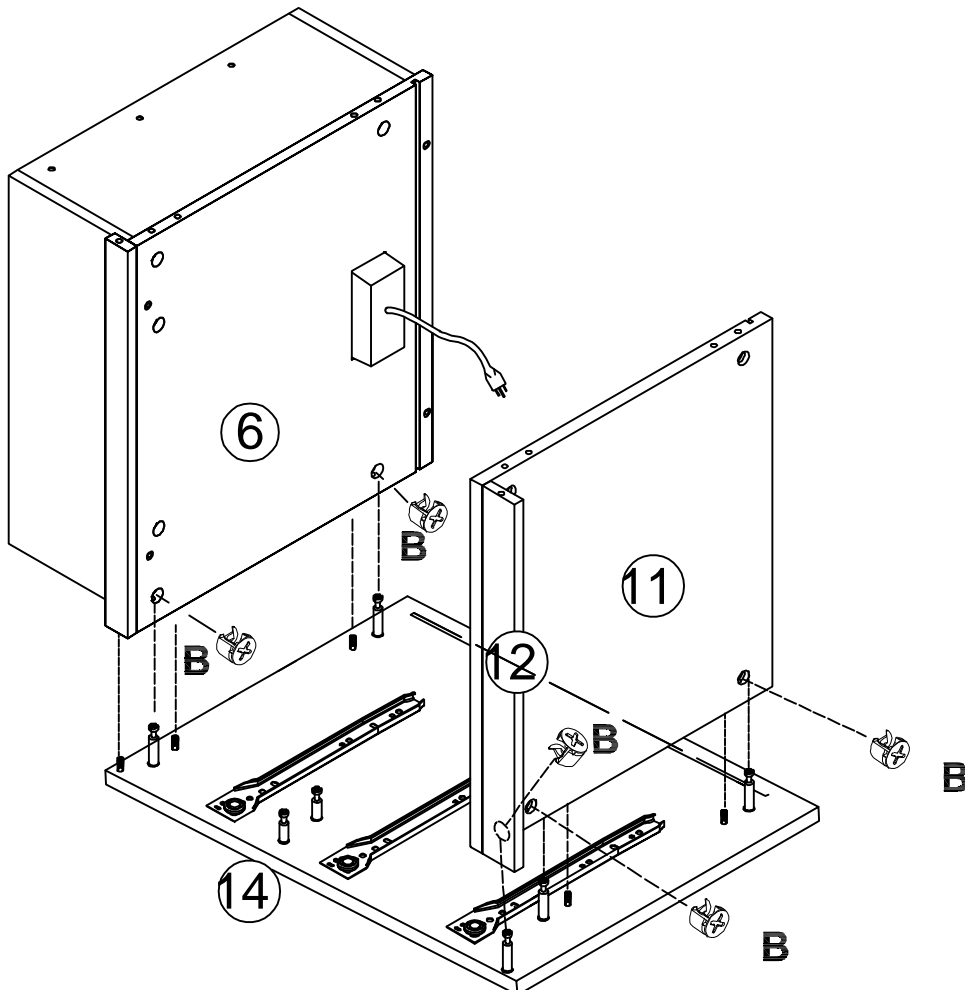


CR x 3	3.5 * 12 mm	M6 * 35 mm	Ø6* 30 mm	O x 1





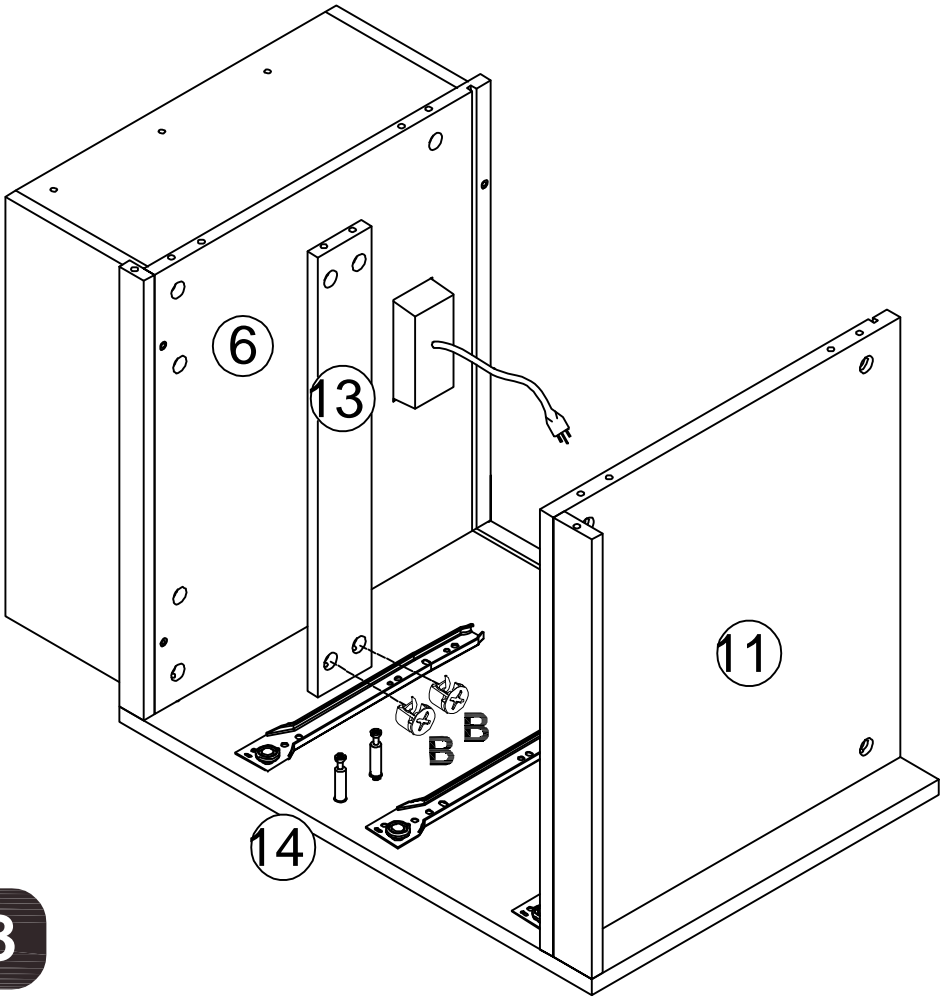
STEP 16

Ø15 * 9.5 mm	O x 1
B x 5	

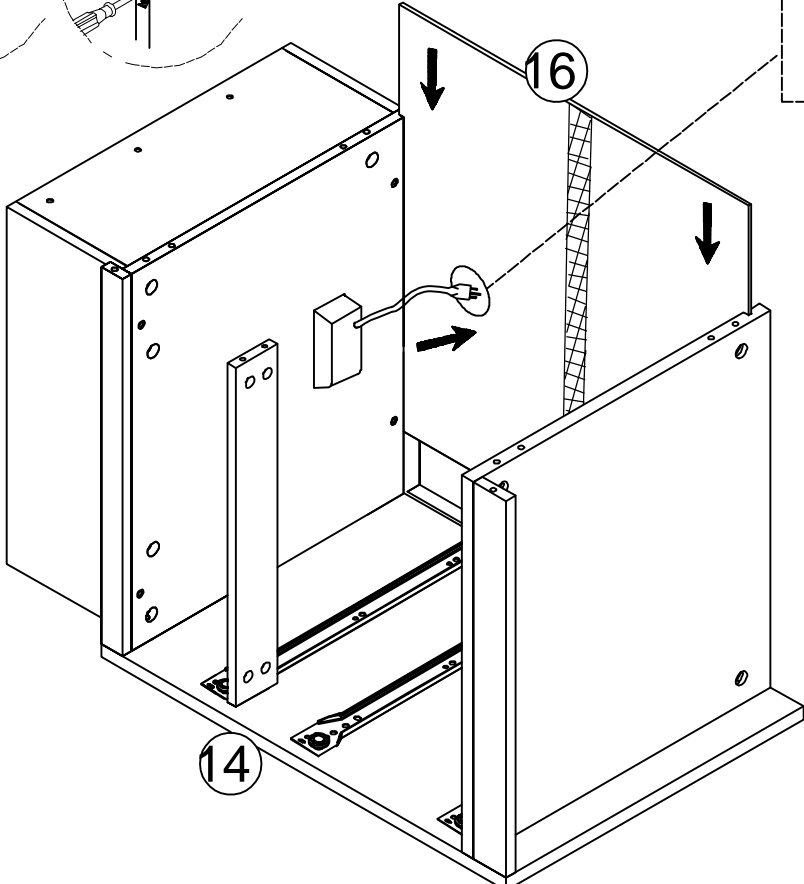
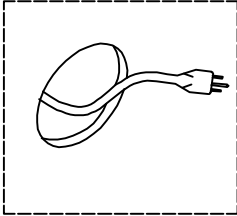
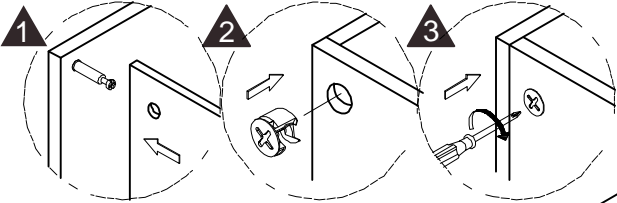


STEP 17

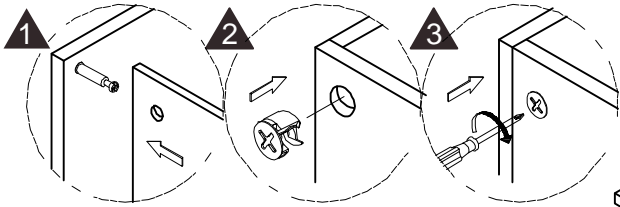
 Ø15 * 9.5 mm	
B x 2	O x 1





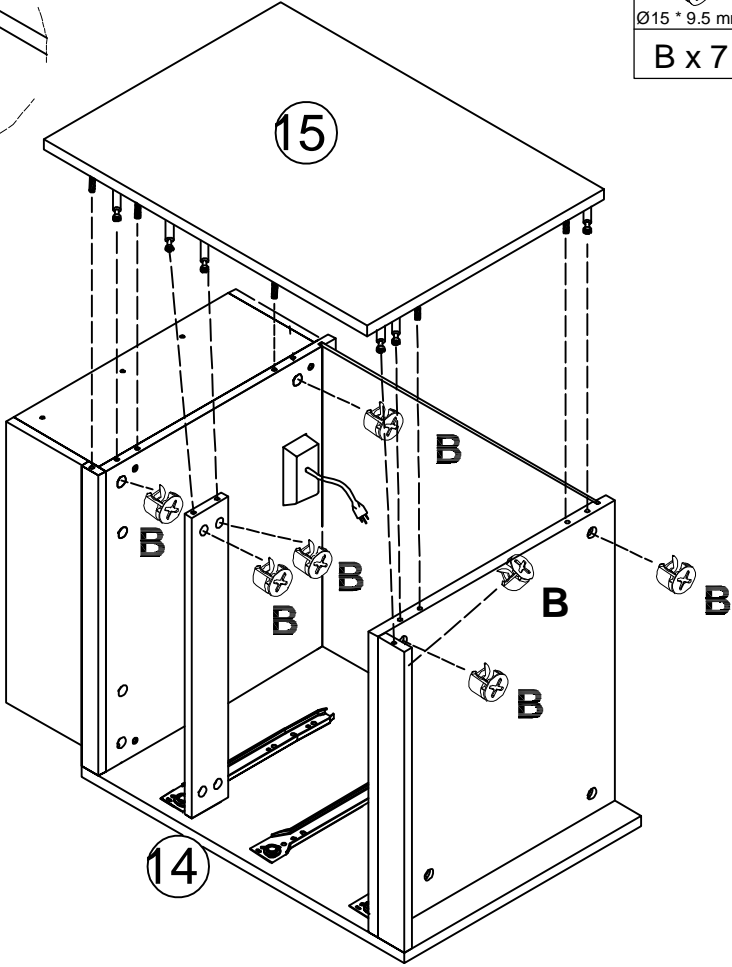
STEP 18




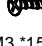
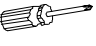
STEP 19

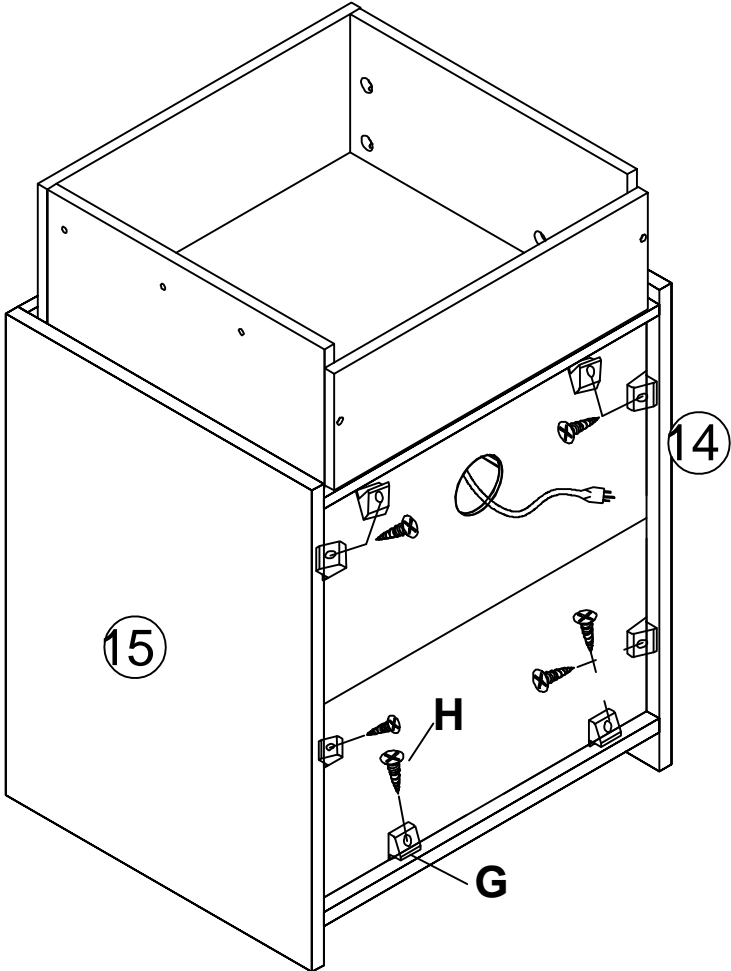


	
Ø15 * 9.5 mm	
B x 7	O x 1

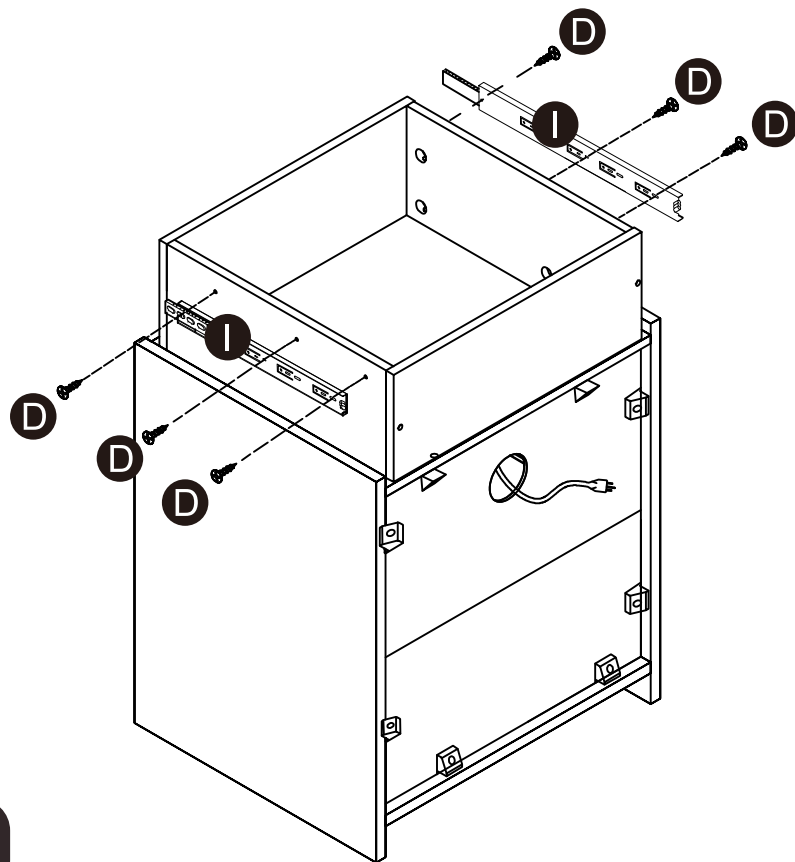





STEP 20

		
	M3 * 15 mm	
G x 8	H x 8	O x 1

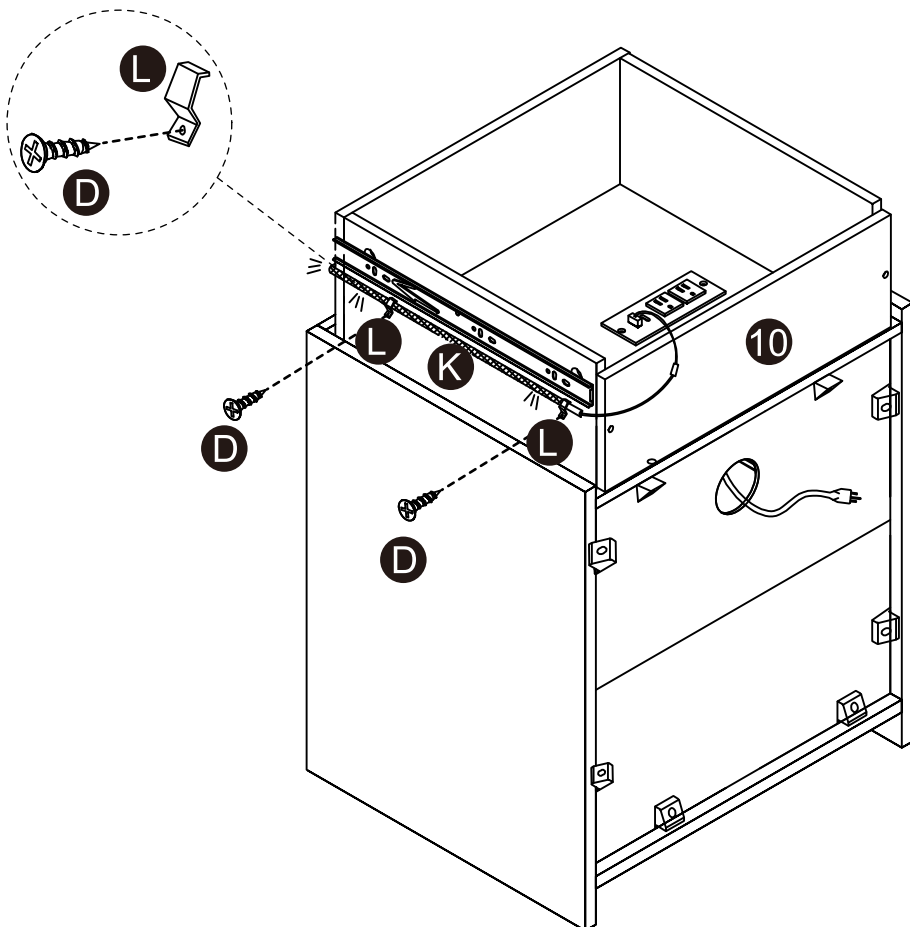


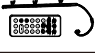



STEP 21



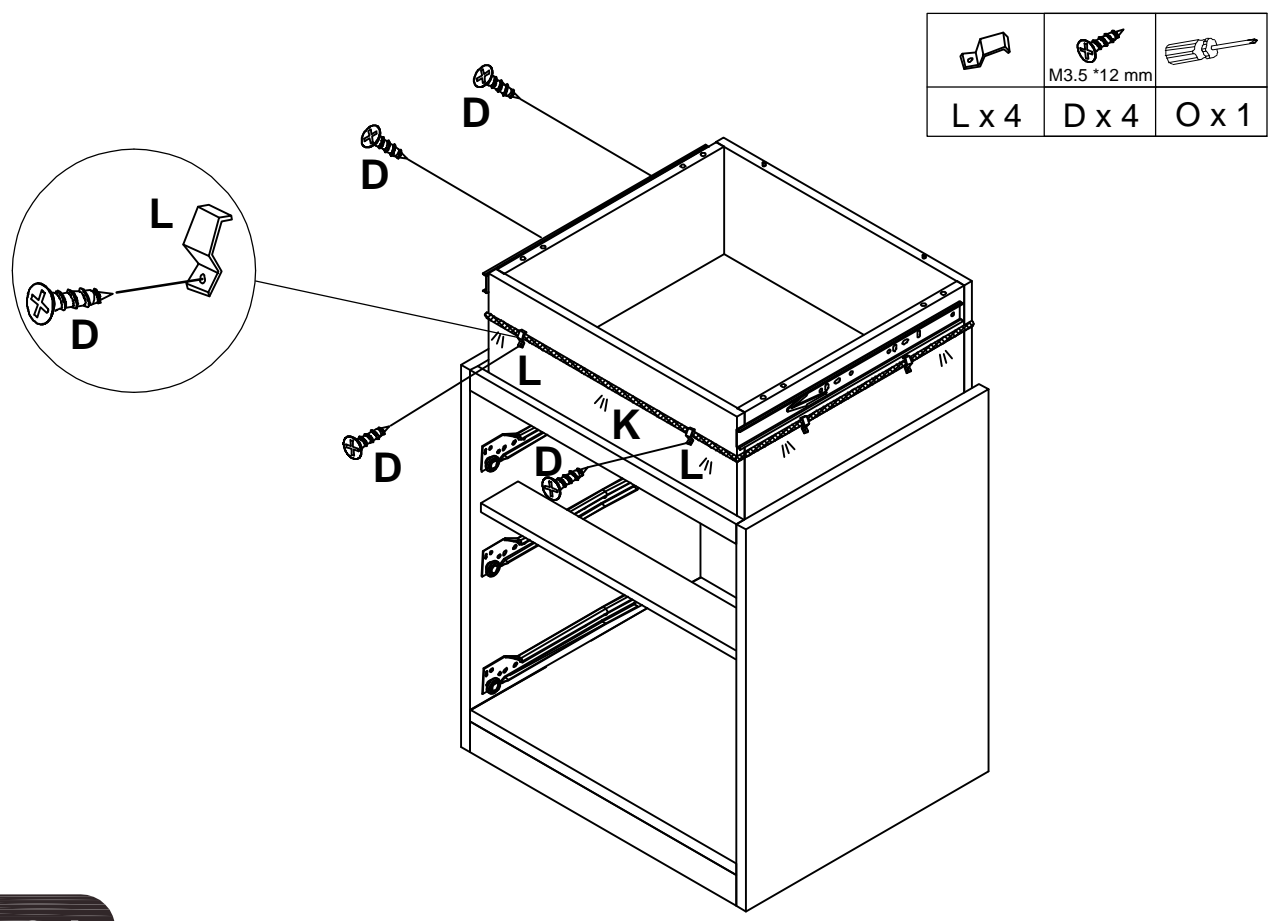
	 3.5*12 mm	
I x2	D x6	O x1



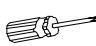
STEP 22



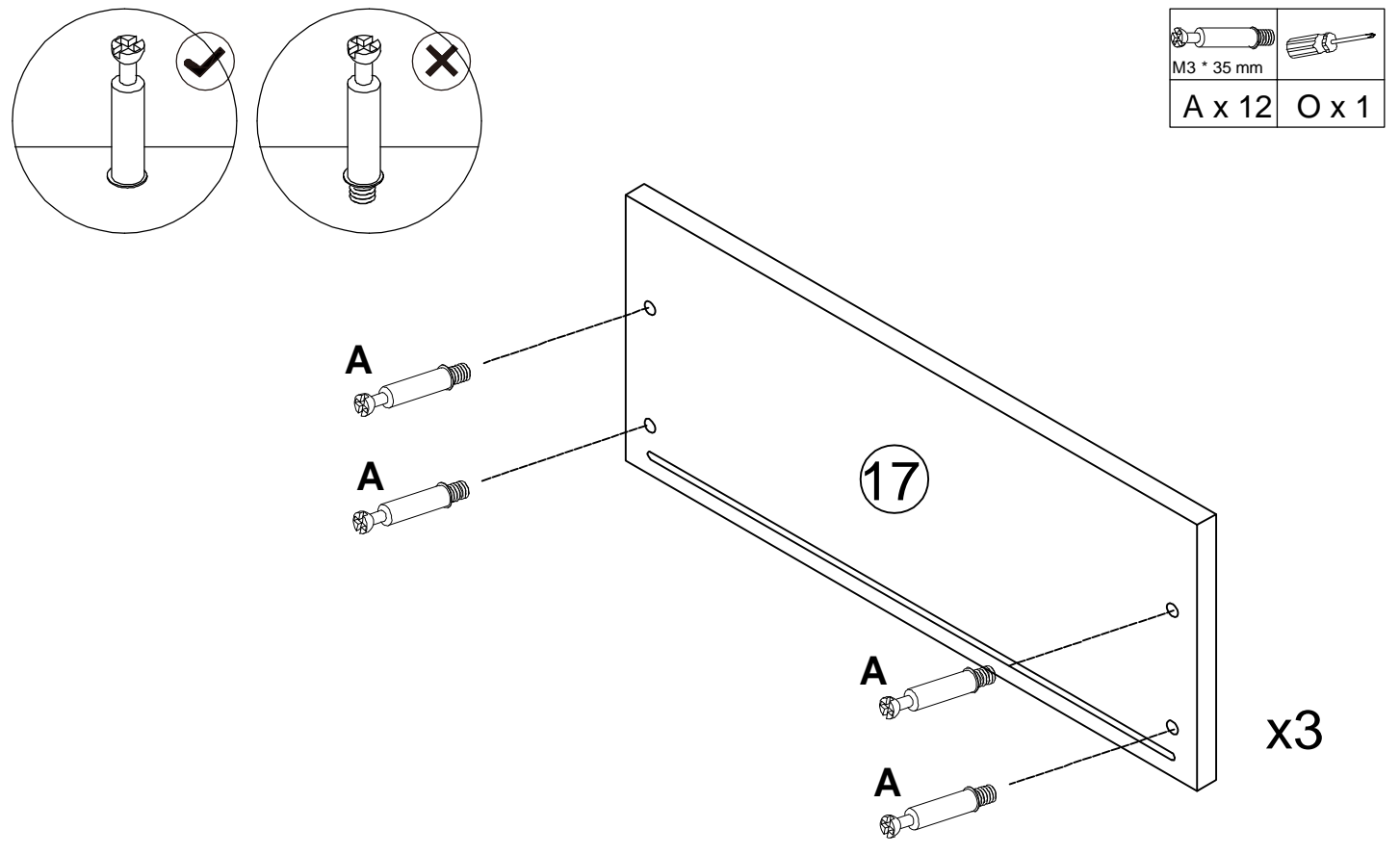
		 3.5*12 mm	
K x1	L x2	D x2	O x1

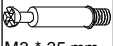
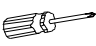
STEP 23



		
L x 4	M3.5 * 12 mm D x 4	O x 1

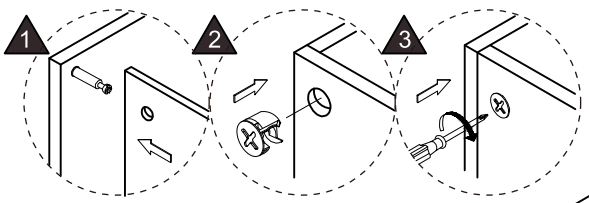
STEP 24


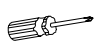


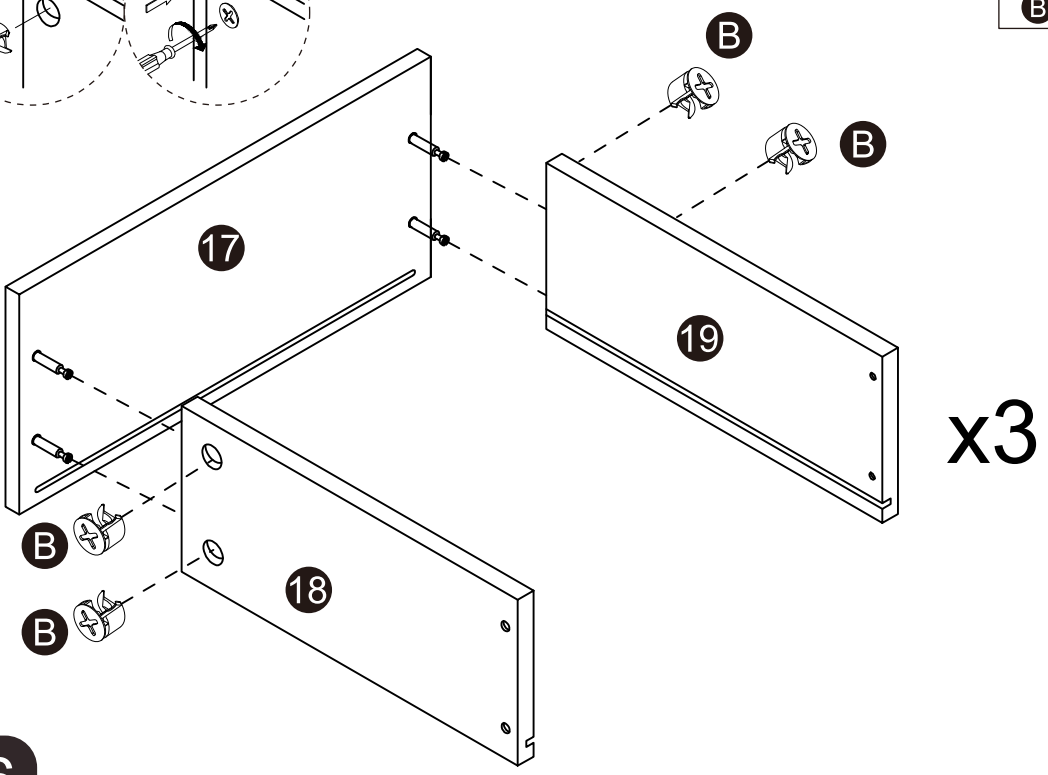
	
M3 * 35 mm A x 12	O x 1

x3

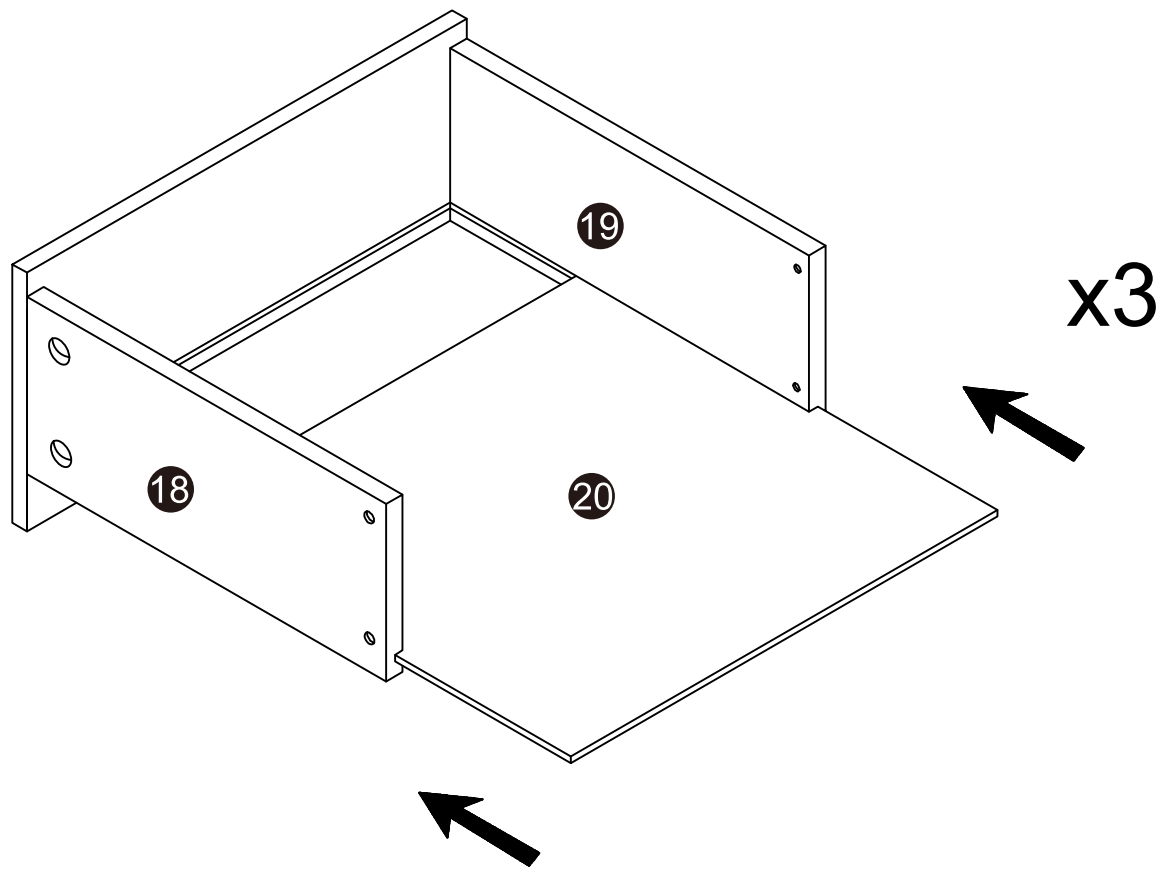
STEP 25



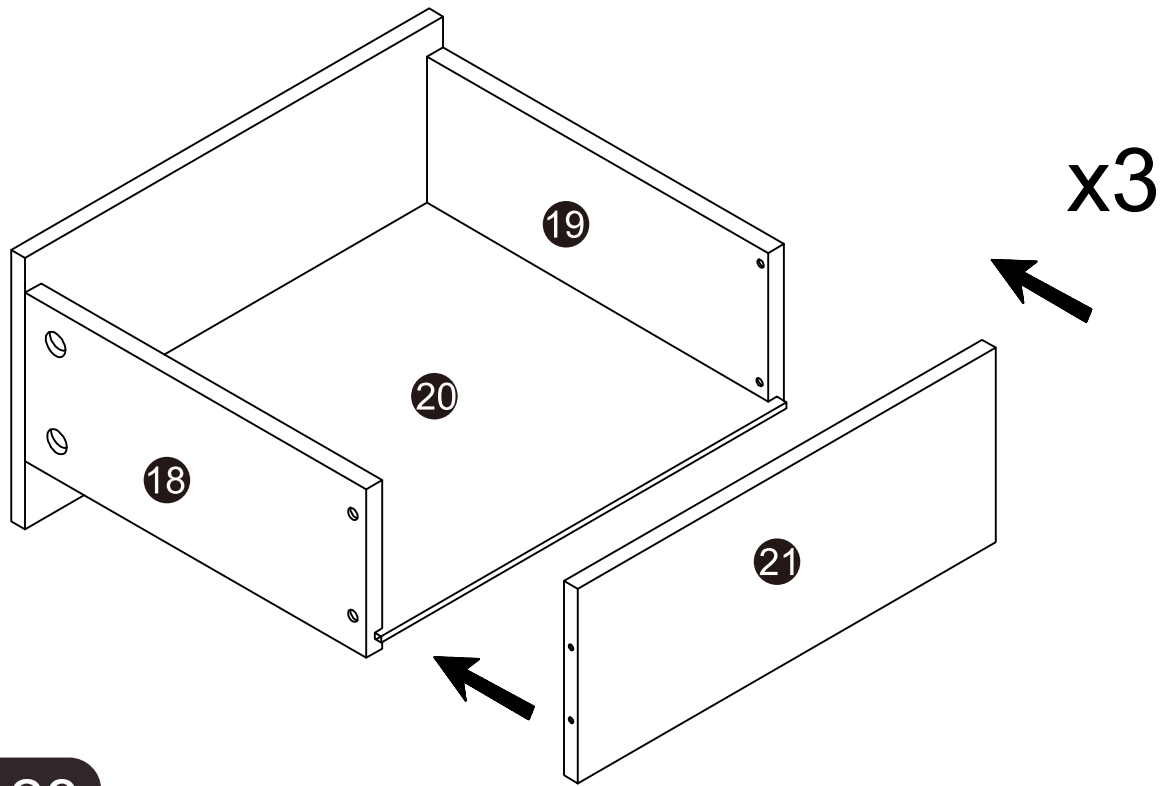
 Ø15*9.5 mm	
B x12	O x1



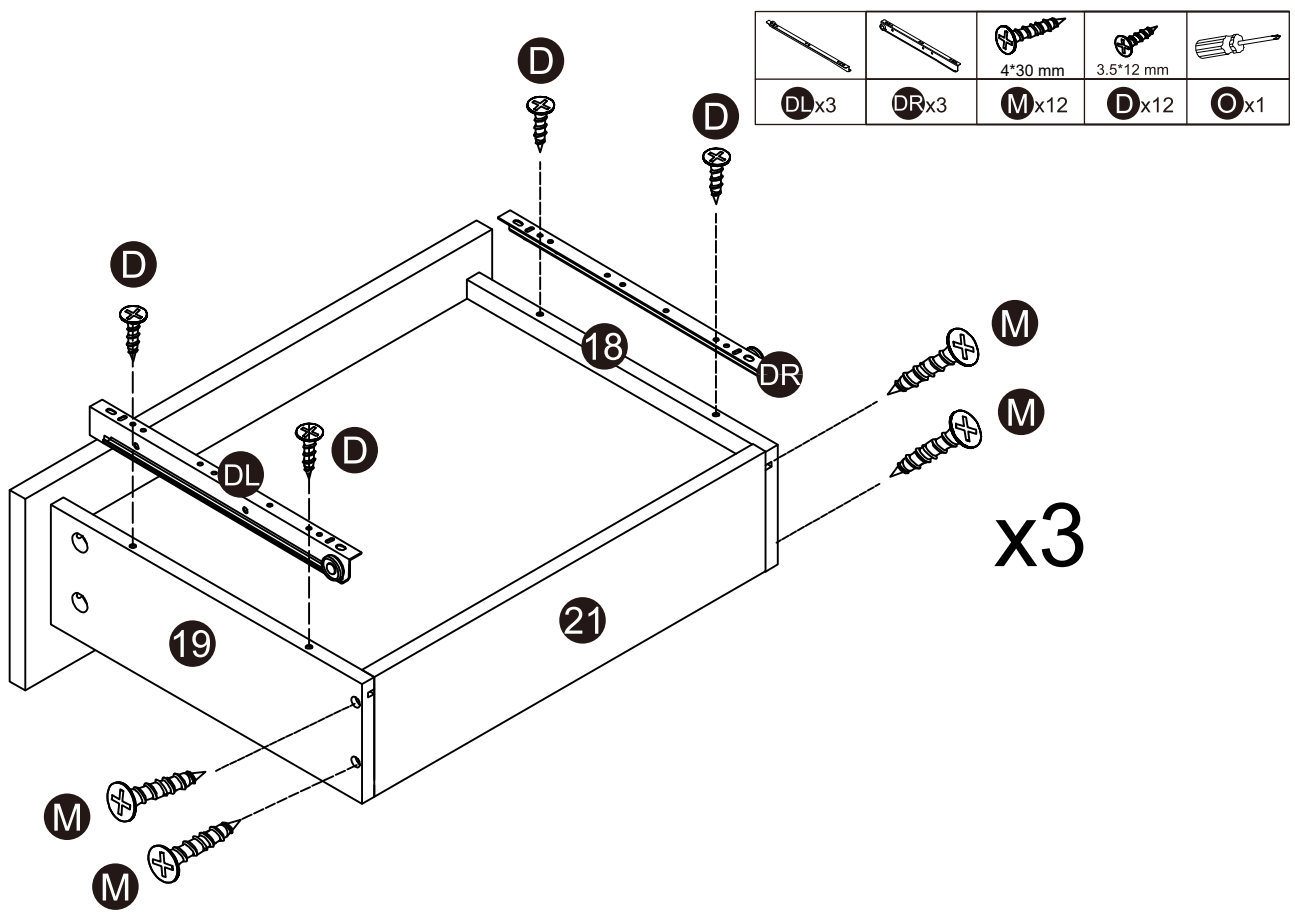
STEP 26



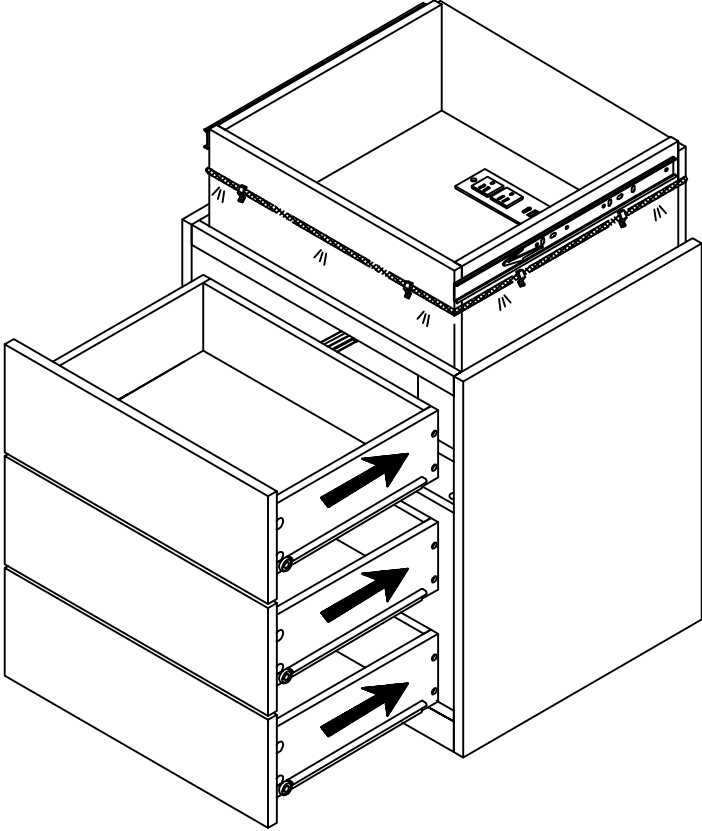
STEP 27



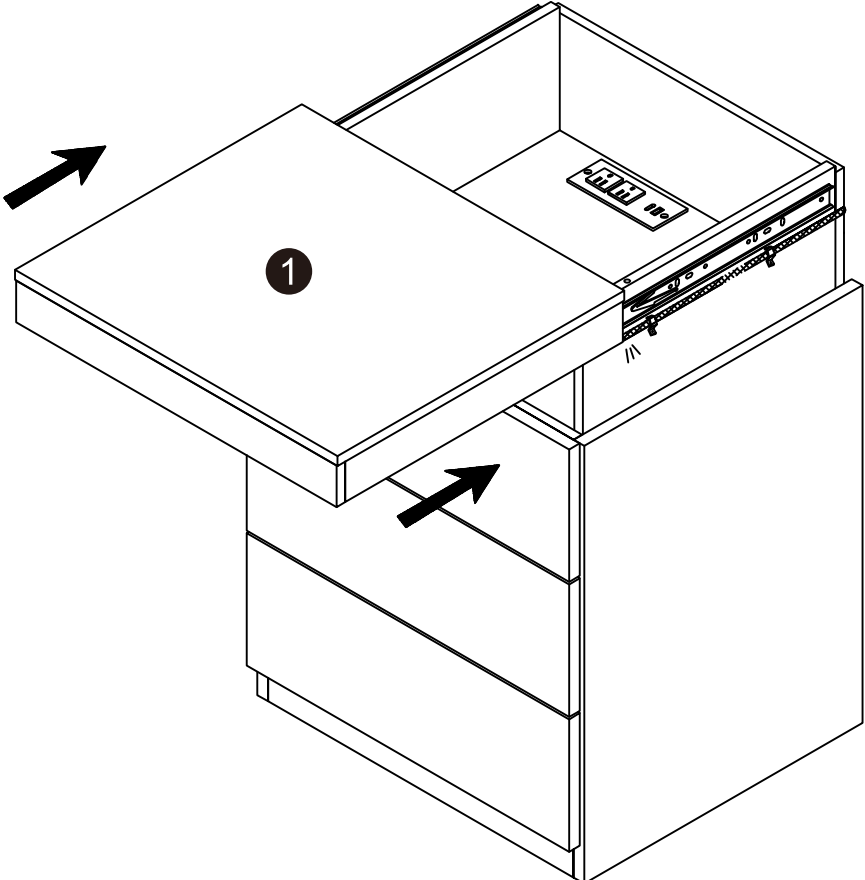
STEP 28



STEP 29



STEP 30



STEP 31

