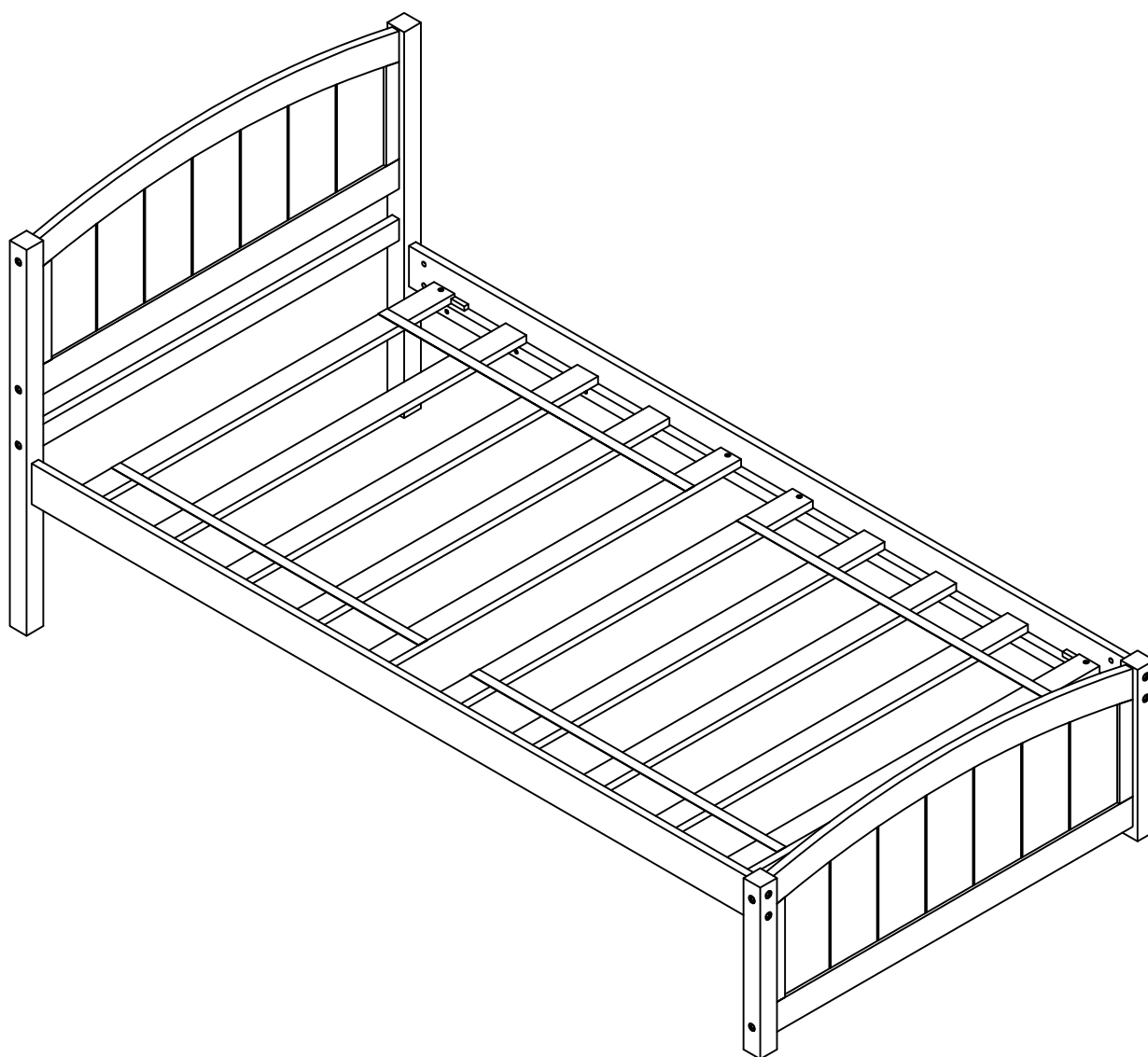
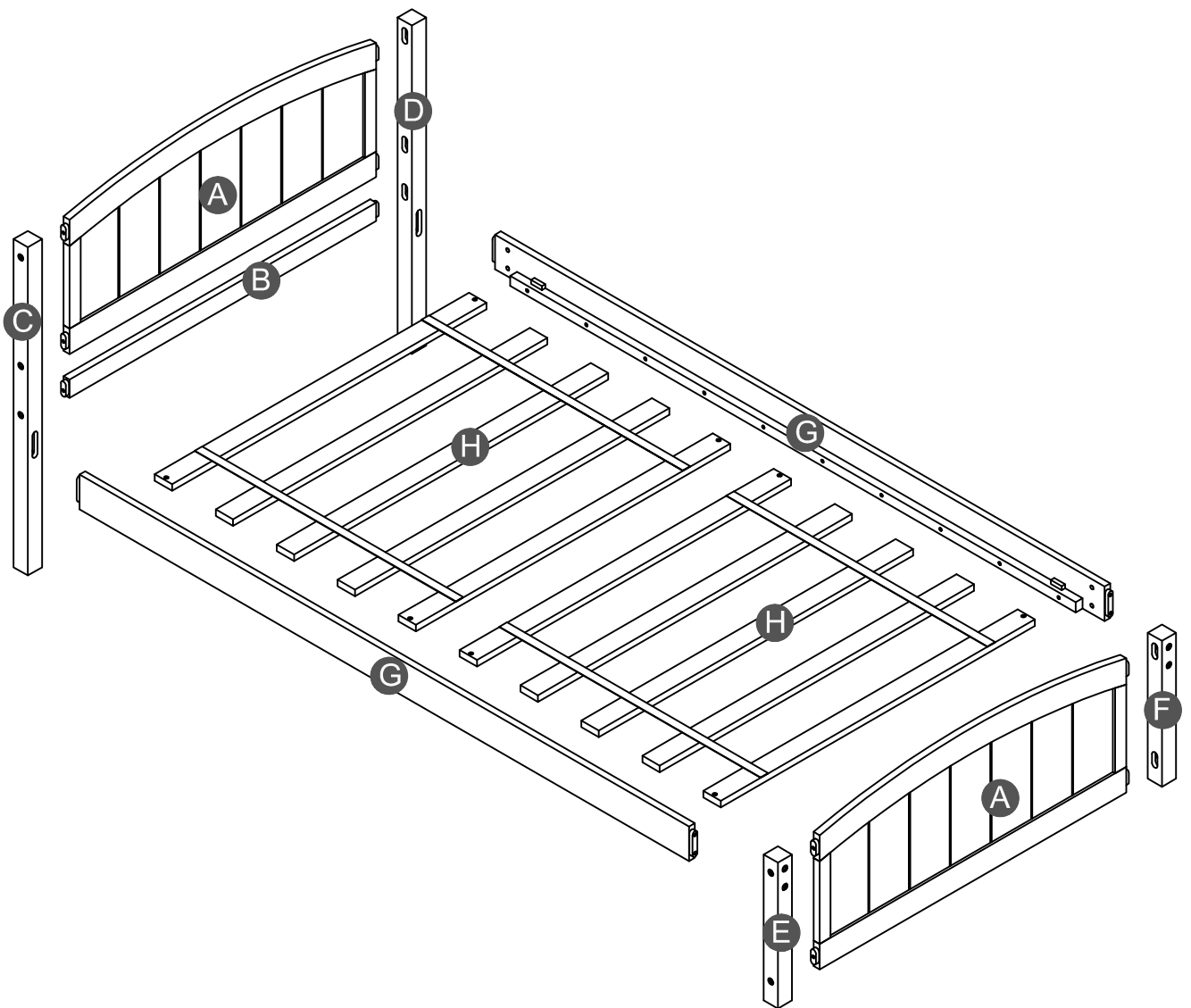


ASSEMBLY INSTRUCTIONS

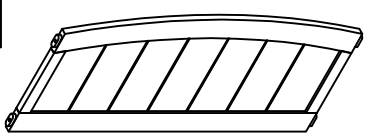
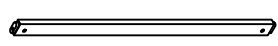
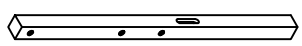

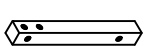
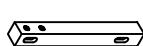

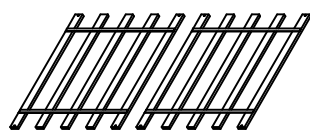
TWIN BED



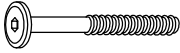
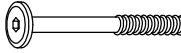


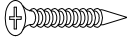
Detail View



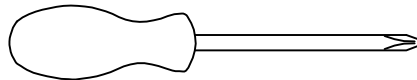
Part List

<p>A</p>  <p>Headboard & Footboard - 2pcs</p>	<p>B</p>  <p>Headboard horizontal bar - 1pc</p>	<p>C</p>  <p>Leg headboard(Left) - 1pc</p>
<p>D</p>  <p>Leg headboard(Right) - 1pc</p>	<p>E</p>  <p>Leg footboard(Right) - 1pc</p>	<p>F</p>  <p>Leg footboard(Left) - 1pc</p>
<p>G</p>  <p>Side rail - 2pcs</p>	<p>H</p>  <p>Slat - (10pcs)</p>	

Hardware List

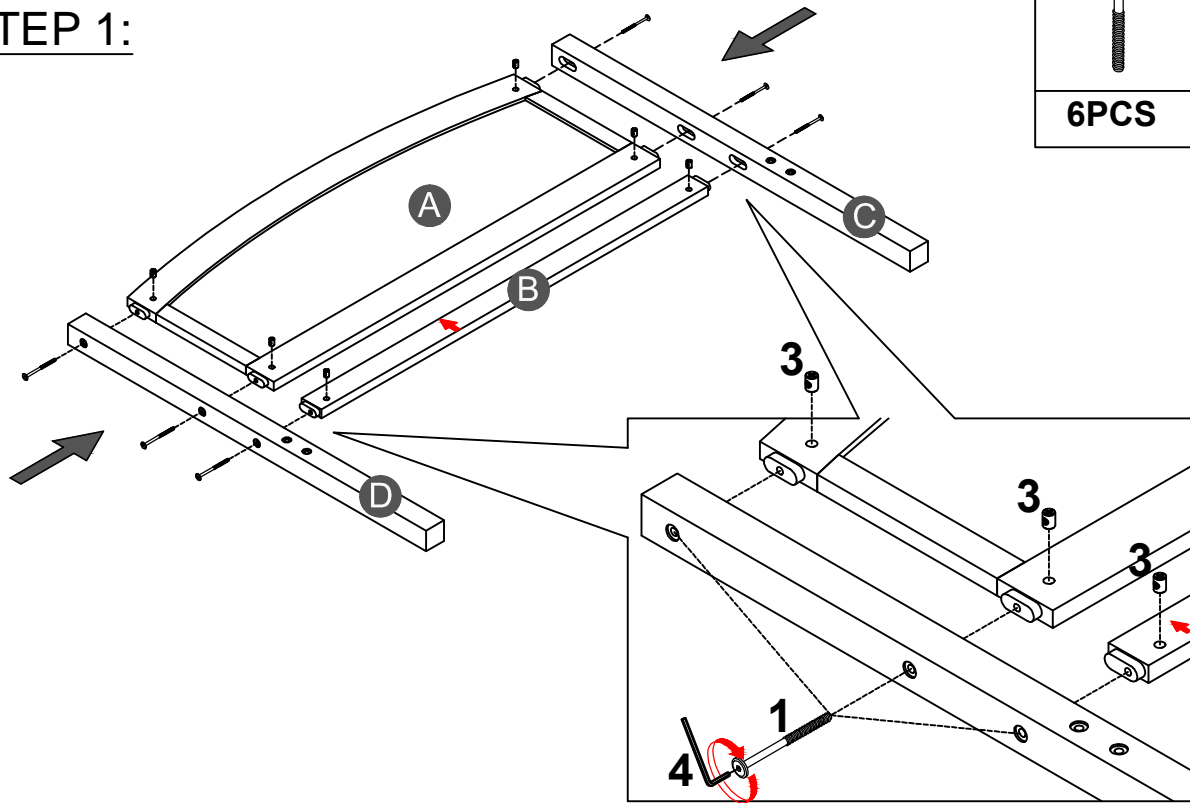
1  (Ø15)1/4"*80mm Hex-Head bolts (10pcs)	2  (Ø15)1/4"*100mm Hex-Head bolts (8pcs)	3  1/4"*15 (9.5mm) Horizontal-Hole bolts(18pcs)
4  (1/4")4.5*58mm Allen key (1pc)	5  Ø4*30mm Wood screws (8pcs)	

ASSEMBLY TOOLS REQUIRED (NOT INCLUDED)

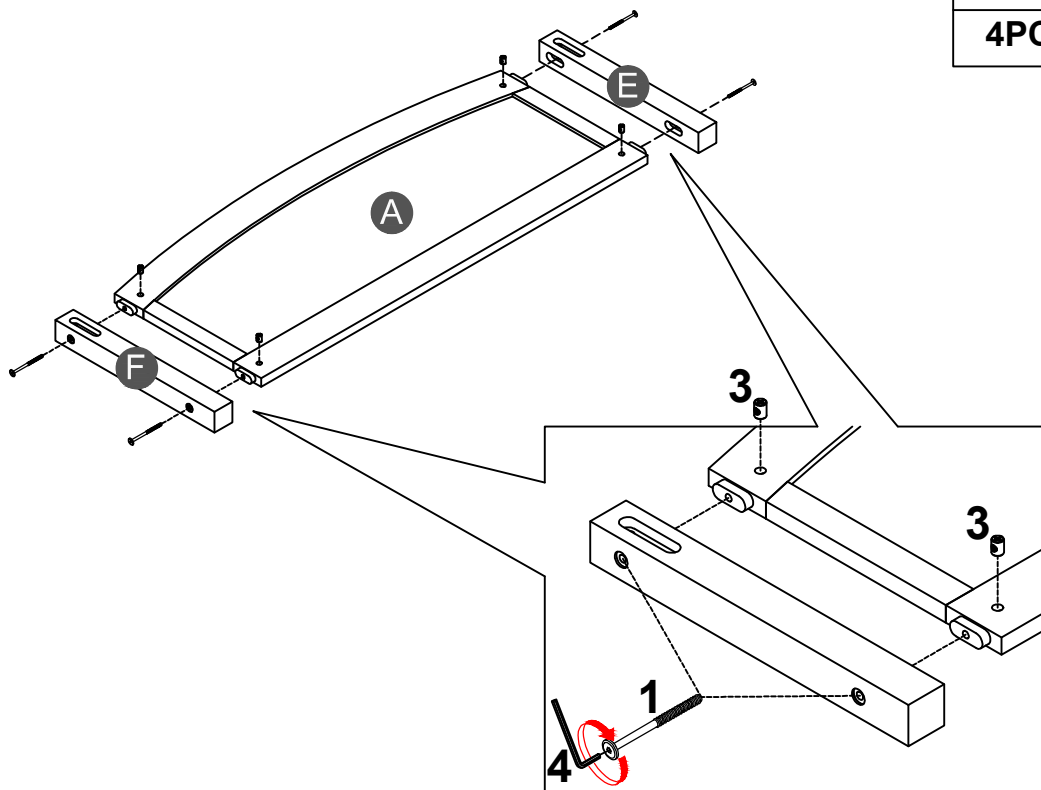


PLEASE BE CAREFUL DO NOT DAMAGE THE HOLE POSITION WHEN YOU USE POWER TOOLS !



STEP 1:

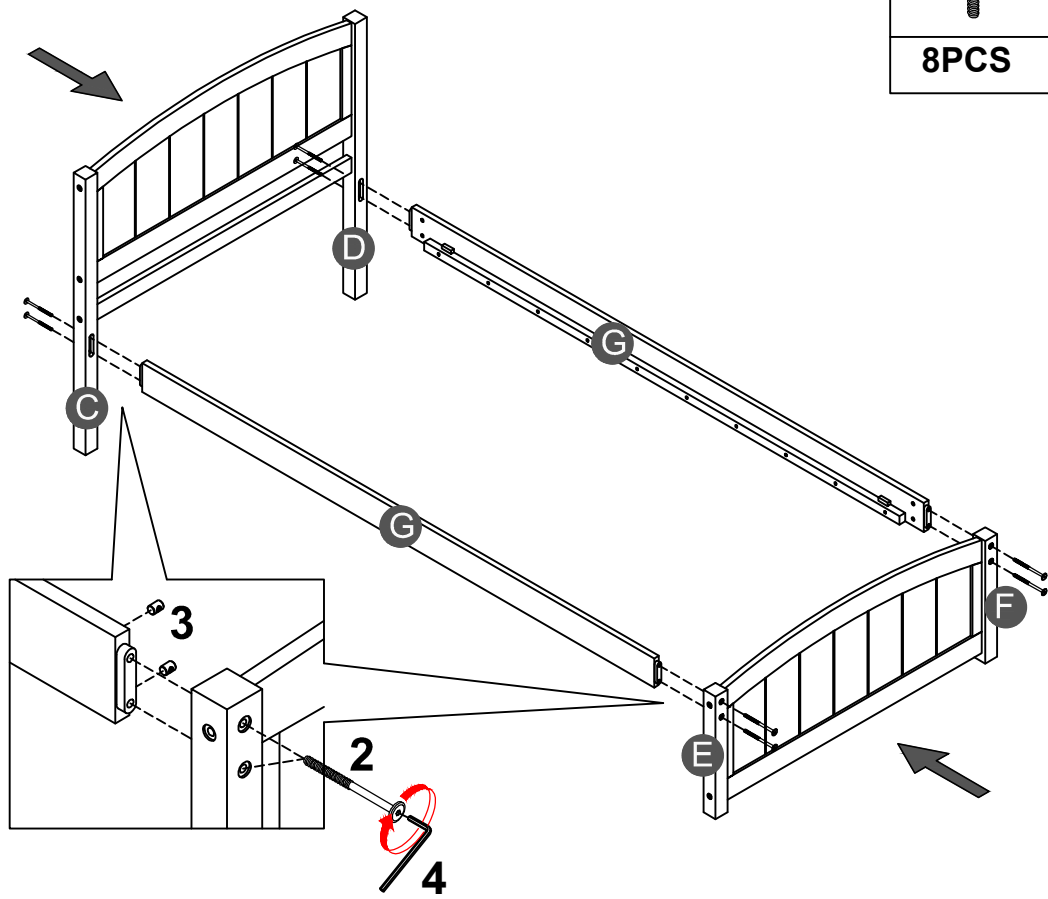


STEP 2:




STEP 3:

2		3	
8PCS		8PCS	



STEP 4:

5	
8PCS	

